



### Typical Applications

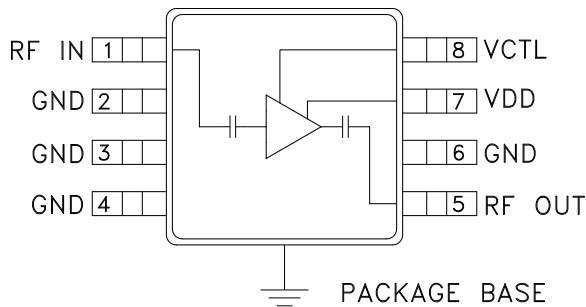
The HMC318MS8G / HMC318MS8GE is ideal for:

- UNII
- HiperLAN

### Features

- LNA with 18 dB Gain Control
- +3V Operation
- Low Noise Figure: 2.5 dB
- No External Components
- Ultra Small 8 Lead MSOP:  
14.8mm<sup>2</sup> x 1mm High

### Functional Diagram



### General Description

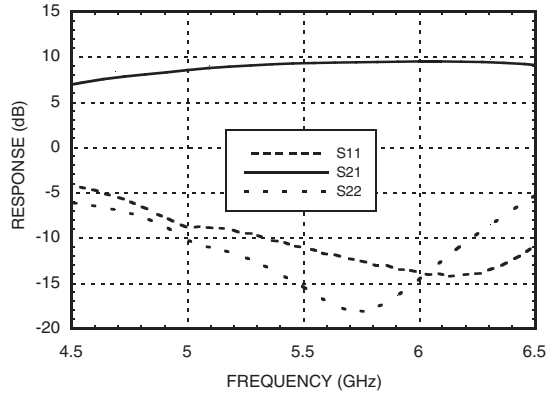
The HMC318MS8G & HMC318MS8GE are surface mount low cost C-band variable gain low noise amplifiers (VGLNA) that serve the full UNII and HiperLAN bands. The HMC318MS8G & HMC318MS8GE operate using a single positive supply that can be set between +3V or +5V. When a control voltage of 0V to +3V is applied, the gain of the amplifier will decrease while maintaining excellent return loss performance. A maximum gain of 9 dB is achieved when VCTL is set to 0V and a minimum gain of -9 dB is achieved when Vctl is set to +3V.

### Electrical Specifications, $T_A = +25^\circ C$ , $V_{dd} = +3V$

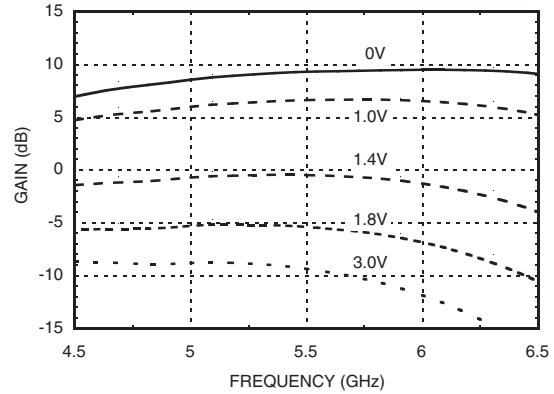
Parameter*	Min.	Typ.	Max.	Units
Frequency Range	5 - 6			GHz
Gain	6	9	12	dB
Gain Variation over Temperature		0.03	0.04	dB/°C
Gain Control Range	11	18	23	dB
Noise Figure		2.5	4.0	dB
Input Return Loss	6	12		dB
Output Return Loss	7	13		dB
Output Power for 1 dB Compression (P1dB)	-1	2		dBm
Output Third Order Intercept (OIP3)	10	13		dBm
Supply Current (I <sub>dd</sub> )		6	10	mA

\* Specifications refer to the maximum gain state ( $V_{ctl} = 0V$ ) unless otherwise noted.

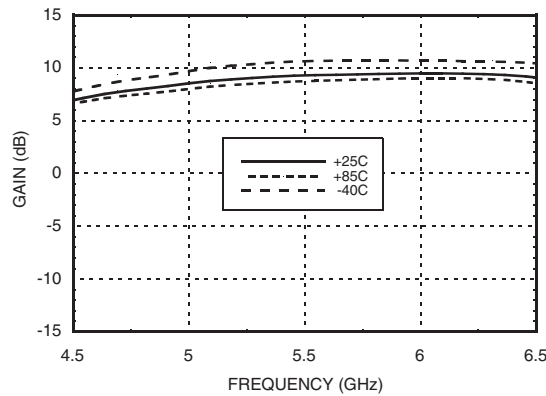
**Gain & Return Loss @ Vctl = 0V**



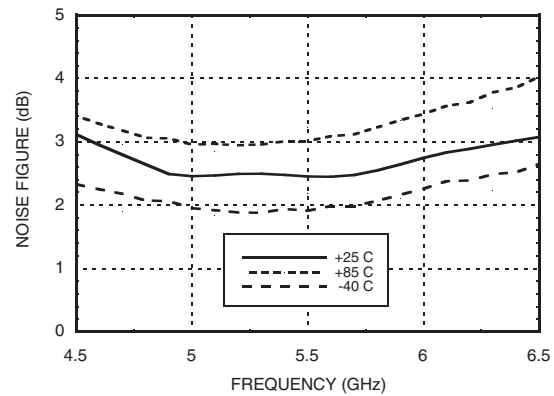
**Gain over Control Range**



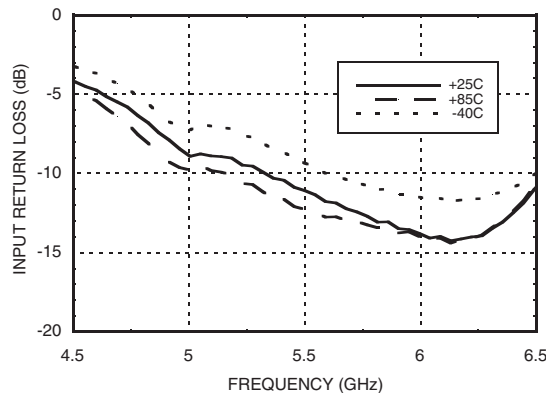
**Gain vs. Temperature, Vctl = 0V**



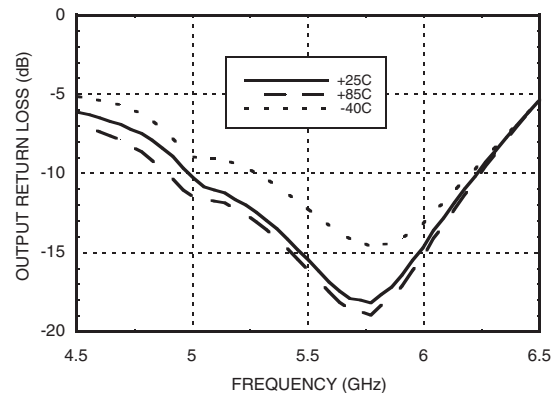
**Noise Figure vs. Temperature, Vctl = 0V**



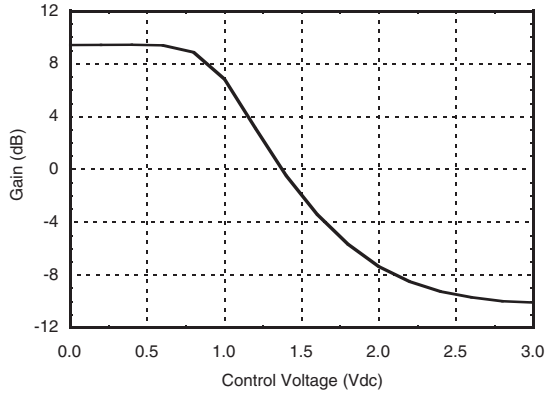
**Input Return Loss vs. Temperature, Vctl = 0V**



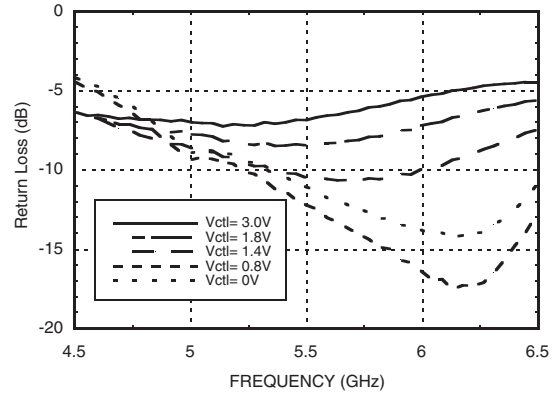
**Output Return Loss vs. Temperature, Vctl = 0V**



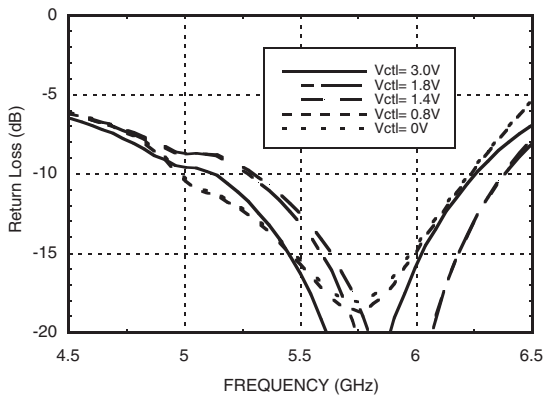
**Gain vs. Control Voltage @ 5.8 GHz**



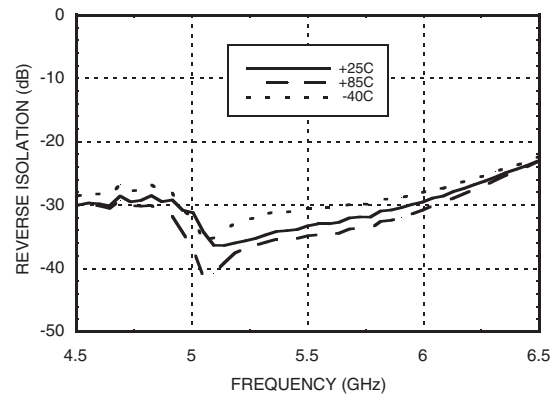
**Input Return Loss over Control Range**



**Output Return Loss over Control Range**



**Reverse Isolation vs. Temperature, Vctl = 0V**



**Noise Figure and OIP3 vs. Control Voltage**

Frequency = 5.8 GHz		
VCTL	Noise Figure (dB)	OIP3 (dBm)*
0V	2.5	13.0
1.4V	4.5	1.2
3.0V	10.5	-6.7

\*Two-tone input power = -20 dBm per tone.

**Absolute Maximum Ratings**

Drain Bias Voltage (Vdd)	+7.0 Vdc
Control Voltage Range (Vctl)	-0.2 to Vdd
RF Input Power (RFIN)(Vdd = +3.0 Vdc)	0 dBm
Channel Temperature	150 °C
Continuous Pdiss (T = 85 °C) (derate 9.76 mW/°C above 85 °C)	0.634 W
Thermal Resistance (channel to ground paddle)	102 °C/W
Storage Temperature	-65 to +150 °C
Operating Temperature	-40 to +85 °C
ESD Sensitivity (HBM)	Class 1A

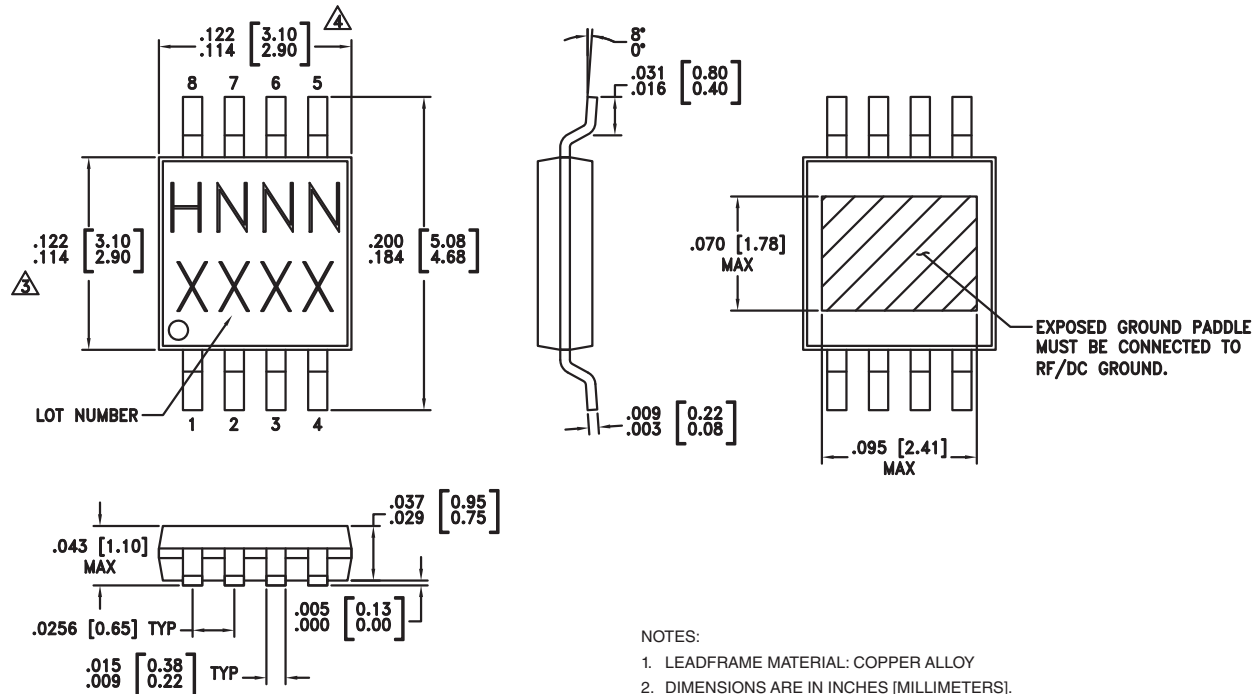
**Gain Control**

Vctl (Vdc)	Gain State	Typical Ictl (uA)
0	Maximum	25
Vdd	Minimum	25



ELECTROSTATIC SENSITIVE DEVICE  
OBSERVE HANDLING PRECAUTIONS

### Outline Drawing



- NOTES:
1. LEADFRAME MATERIAL: COPPER ALLOY
  2. DIMENSIONS ARE IN INCHES [MILLIMETERS].
  3. DIMENSION DOES NOT INCLUDE MOLDFLASH OF 0.15mm PER SIDE.
  4. DIMENSION DOES NOT INCLUDE MOLDFLASH OF 0.25mm PER SIDE.
  5. ALL GROUND LEADS AND GROUND PADDLE MUST BE SOLDERED TO PCB RF GROUND.

### Package Information

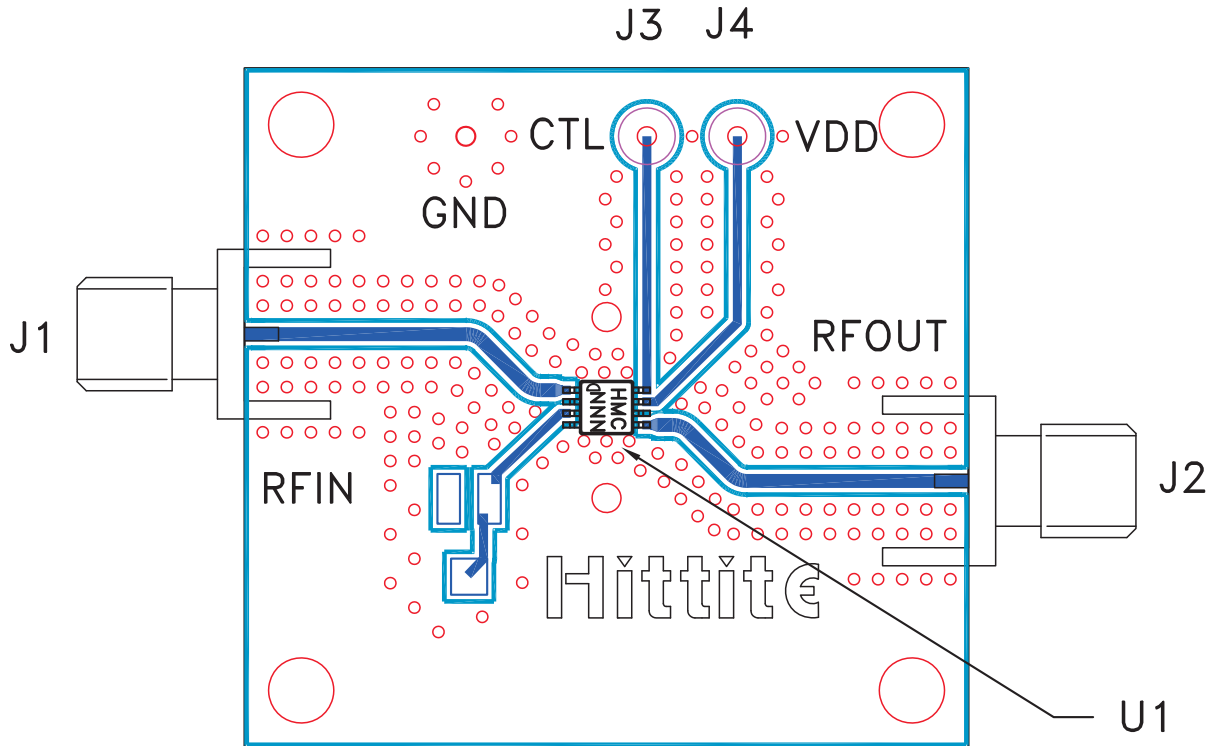
Part Number	Package Body Material	Lead Finish	MSL Rating	Package Marking <sup>[3]</sup>
HMC318MS8G	Low Stress Injection Molded Plastic	Sn/Pb Solder	MSL1 <sup>[1]</sup>	H318 XXXX
HMC318MS8GE	RoHS-compliant Low Stress Injection Molded Plastic	100% matte Sn	MSL1 <sup>[2]</sup>	H318 XXXX

[1] Max peak reflow temperature of 235 °C

[2] Max peak reflow temperature of 260 °C

[3] 4-Digit lot number XXXX

**Evaluation PCB**



**List of Materials for Evaluation PCB 104085 [1]**

Item	Description
J1, J2	PCB Mount SMA Connector
J3, J4	DC Pin
U1	HMC318MS8G / HMC318MS8GE Amplifier
PCB [2]	Evaluation PCB 1.6" x 1.5"

[1] Reference this number when ordering complete evaluation PCB

[2] Circuit Board Material: Rogers 4350

The circuit board used in the final application should use RF circuit design techniques. Signal lines should have 50 ohm impedance while the package ground leads and exposed paddle should be connected directly to the ground plane similar to that shown. A sufficient number of via holes should be used to connect the top and bottom ground planes. The evaluation circuit board shown is available from Hittite upon request.



v02.0607



## HMC318MS8G / 318MS8GE

**GaAs MMIC LOW NOISE AMPLIFIER**  
*with AGC, 5 - 6 GHz*

**Notes:**

8

LOW NOISE AMPLIFIERS - SMT