



3N40K-MT

Preliminary

Power MOSFET

**3A, 400V N-CHANNEL
POWER MOSFET**

■ DESCRIPTION

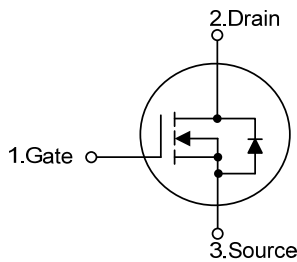
The UTC **3N40K-MT** is an N-channel mode power MOSFET using UTC's advanced technology to provide customers with planar stripe and DMOS technology. This technology specializes in allowing a minimum on-state resistance and superior switching performance. It also can withstand high energy pulse in the avalanche and commutation mode.

The UTC **3N40K-MT** is universally applied in electronic lamp ballast based on half bridge topology and high efficient switched mode power supply.

■ FEATURES

- * $R_{DS(ON)} < 2.0\Omega @ V_{GS} = 10V, I_D = 1.5A$
- * High switching speed
- * 100% avalanche tested

■ SYMBOL

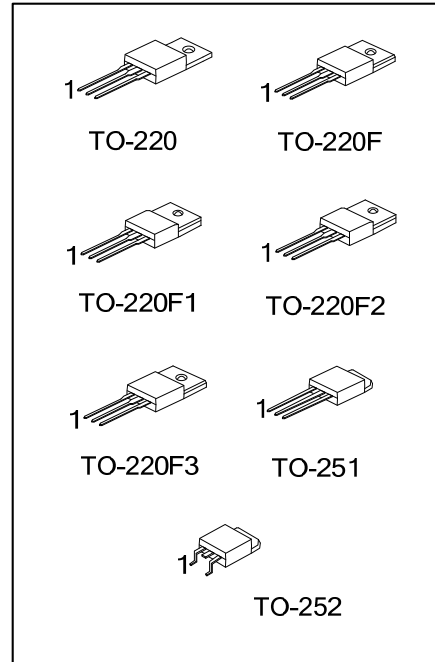


■ ORDERING INFORMATION

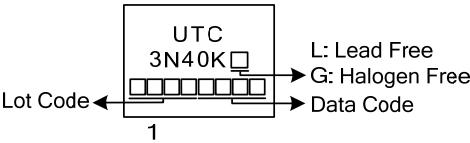
Ordering Number		Package	Pin Assignment			Packing
Lead Free	Halogen Free		1	2	3	
3N40KL-TA3-T	3N40KG-TA3-T	TO-220	G	D	S	Tube
3N40KL-TF3-T	3N40KG-TF3-T	TO-220F	G	D	S	Tube
3N40KL-TF1-T	3N40KG-TF1-T	TO-220F1	G	D	S	Tube
3N40KL-TF2-T	3N40KG-TF2-T	TO-220F2	G	D	S	Tube
3N40KL-TF3T-T	3N40KG-TF3T-T	TO-220F3	G	D	S	Tube
3N40KL-TM3-T	3N40KG-TM3-T	TO-251	G	D	S	Tube
3N40KL-TN3-R	3N40KG-TN3-R	TO-252	G	D	S	Tape Reel

Note: Pin Assignment: G: Gate D: Drain S: Source

<p>3N40KL-TF3-T</p> <p>(1) Packing Type</p> <p>(2) Package Type</p> <p>(3) Green Package</p>	<p>(1) T: Tube, R: Tape Reel</p> <p>(2) TA3: TO-220, TF3: TO-220F, TF1: TO-220F1, TF2: TO-220F2, TF3T: TO-220F3, TM3: TO-251, TN3: TO-252</p> <p>(3) L: Lead Free, G: Halogen Free and Lead Free</p>
--	--



MARKING



■ ABSOLUTE MAXIMUM RATINGS ($T_c=25^\circ\text{C}$, unless otherwise specified)

PARAMETER		SYMBOL	RATINGS	UNIT
Drain-Source Voltage		V_{DSS}	400	V
Gate-Source Voltage		V_{GSS}	± 30	V
Drain Current	Continuous ($T_c=25^\circ\text{C}$)	I_D	3	A
	Pulsed (Note 2)	I_{DM}	12	A
Avalanche Energy	Single Pulsed (Note 3)	E_{AS}	290	mJ
	Repetitive (Note 2)	E_{AR}	3	mJ
Power Dissipation	TO-220	P_D	54	W
	TO-220F/TO-220F1		25	W
	TO-220F3		26	W
	TO-251/TO-252		50	W
Junction Temperature		T_J	+150	$^\circ\text{C}$
Storage Temperature		T_{STG}	-55~+150	$^\circ\text{C}$

Notes: 1. Absolute maximum ratings are those values beyond which the device could be permanently damaged.

Absolute maximum ratings are stress ratings only and functional device operation is not implied.

2. Repetitive Rating: Pulse width limited by maximum junction temperature.

3. $L=56\text{mH}$, $I_{AS}=3.0\text{A}$, $V_{DD}=50\text{V}$, $R_G=25\ \Omega$, Starting $T_J = 25^\circ\text{C}$

4. $I_{SD}\leq 4.4\text{A}$, $di/dt \leq 200\text{A}/\mu\text{s}$, $V_{DD}\leq BV_{DSS}$, Starting $T_J = 25^\circ\text{C}$

■ THERMAL DATA

PARAMETER		SYMBOL	RATINGS	UNIT
Junction to Ambient	TO-220/TO-220F TO-220F1/TO-220F2 TO-220F3	θ_{JA}	62.5	$^\circ\text{C}/\text{W}$
	TO-251/TO-252		110	$^\circ\text{C}/\text{W}$
	TO-220		2.28	$^\circ\text{C}/\text{W}$
Junction to Case	TO-220F/TO-220F1 TO-220F3	θ_{JC}	4.9	$^\circ\text{C}/\text{W}$
	TO-220F2		4.8	$^\circ\text{C}/\text{W}$
	TO-251/TO-252		2.5	$^\circ\text{C}/\text{W}$

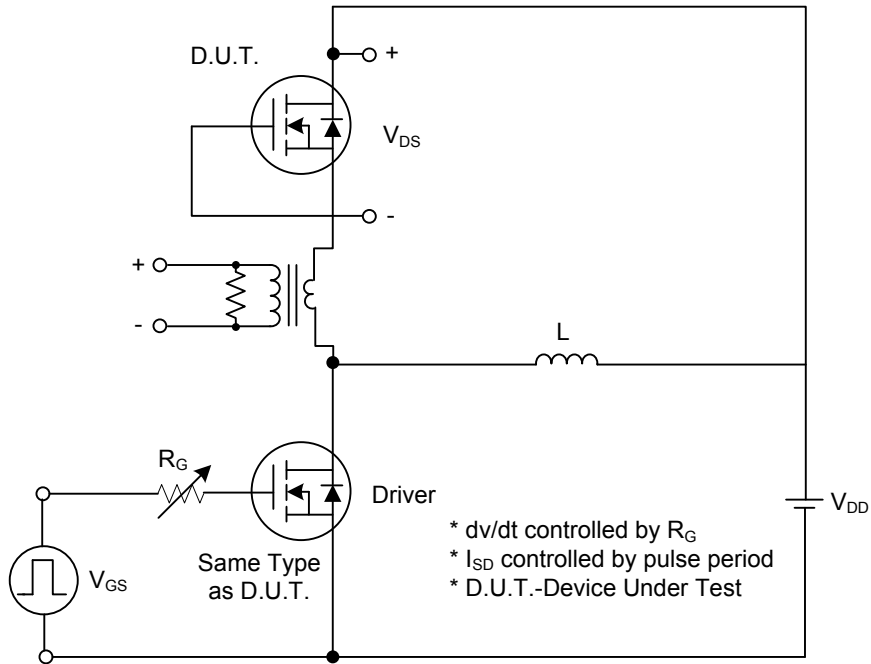
■ ELECTRICAL CHARACTERISTICS ($T_c=25^\circ\text{C}$, unless otherwise specified)

PARAMETER	SYMBOL	TEST CONDITIONS	MIN	TYP	MAX	UNIT
OFF CHARACTERISTICS						
Drain-Source Breakdown Voltage	BV_{DSS}	$I_D=250\mu\text{A}$, $V_{GS}=0\text{V}$	400			V
Breakdown Voltage Temperature Coefficient	$\Delta BV_{DSS}/\Delta T_J$	Reference to 25°C , $I_D=250\mu\text{A}$		0.38		$\text{V}/^\circ\text{C}$
Drain-Source Leakage Current	I_{DSS}	$V_{DS}=400\text{V}$, $V_{GS}=0\text{V}$			10	μA
Gate- Source Leakage Current	Forward	$V_{GS}=+30\text{V}$, $V_{DS}=0\text{V}$			+100	nA
	Reverse	$V_{GS}=-30\text{V}$, $V_{DS}=0\text{V}$			-100	nA
ON CHARACTERISTICS						
Gate Threshold Voltage	$V_{GS(TH)}$	$V_{DS}=V_{GS}$, $I_D=250\mu\text{A}$	2.0		4.0	V
Static Drain-Source On-State Resistance	$R_{DS(ON)}$	$V_{GS}=10\text{V}$, $I_D=1.5\text{A}$			2.0	Ω
DYNAMIC PARAMETERS						
Input Capacitance	C_{ISS}	$V_{GS}=0\text{V}$, $V_{DS}=25\text{V}$, $f=1.0\text{MHz}$		248	350	pF
Output Capacitance	C_{OSS}			40	80	pF
Reverse Transfer Capacitance	C_{RSS}			5	9	pF
SWITCHING PARAMETERS						
Turn-ON Delay Time	$t_{D(ON)}$	$V_{DS}=30\text{V}$, $I_D=0.5\text{A}$, $R_G=25\Omega$ (Note 1, 2)		40		ns
Rise Time	t_R			48		ns
Turn-OFF Delay Time	$t_{D(OFF)}$			48		ns
Fall-Time	t_F			27		ns
Total Gate Charge	Q_G	$V_{GS}=10\text{V}$, $V_{DS}=50\text{V}$, $I_D=1.3\text{A}$ (Note 1, 2)		12.3	15	nC
Gate to Source Charge	Q_{GS}			4.48		nC
Gate to Drain Charge	Q_{GD}			2.2		nC
SOURCE- DRAIN DIODE RATINGS AND CHARACTERISTICS						
Maximum Body-Diode Continuous Current	I_{SD}				3.0	A
Maximum Body-Diode Pulsed Current	I_{SM}				12	A
Drain-Source Diode Forward Voltage	V_{SD}	$I_S=3\text{A}$, $V_{GS}=0\text{V}$			1.5	V

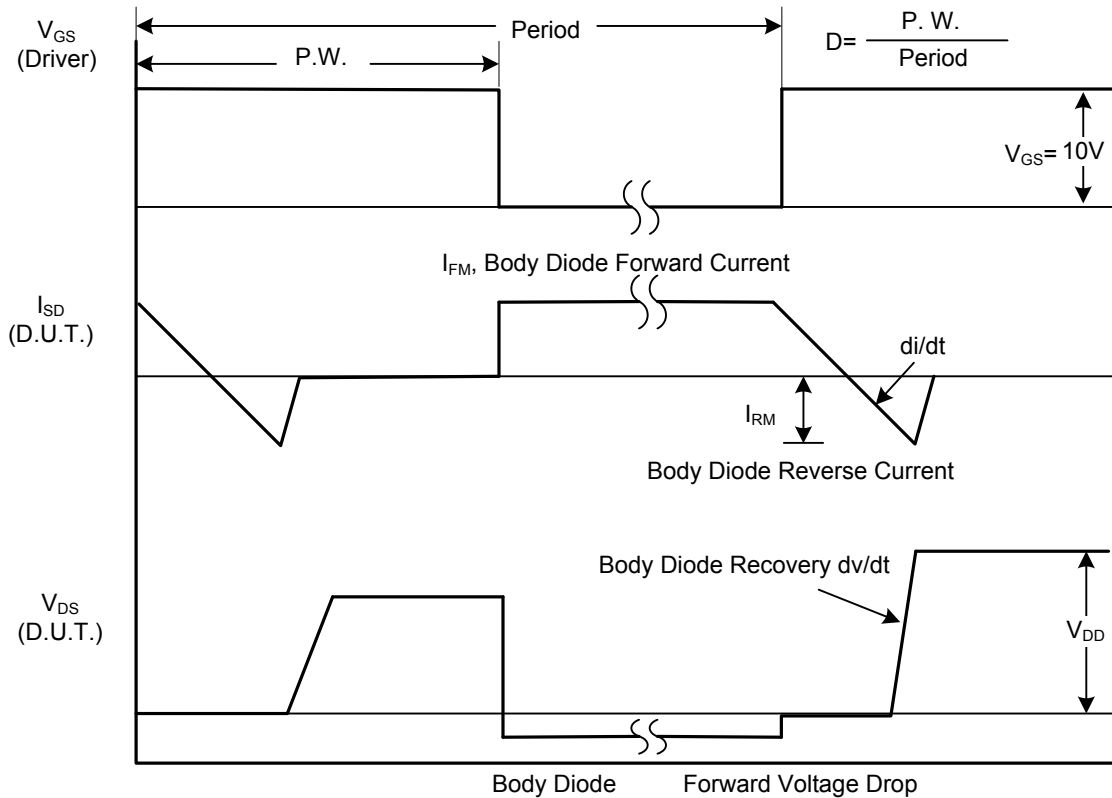
Notes: 1. Pulse Test: Pulse width $\leq 300\mu\text{s}$, Duty cycle $\leq 2\%$

2. Essentially independent of operating temperature

TEST CIRCUITS AND WAVEFORMS

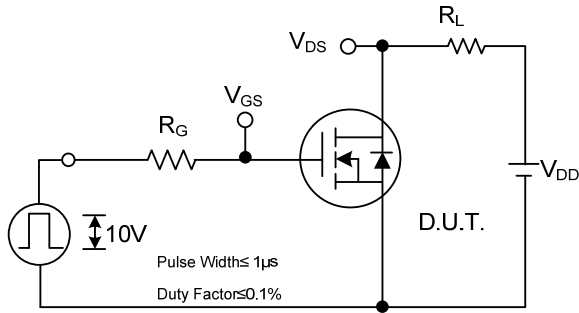


Peak Diode Recovery dv/dt Test Circuit

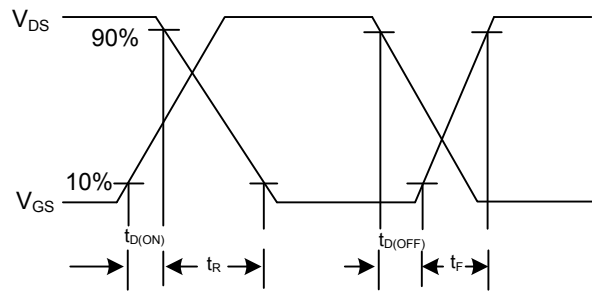


Peak Diode Recovery dv/dt Waveforms

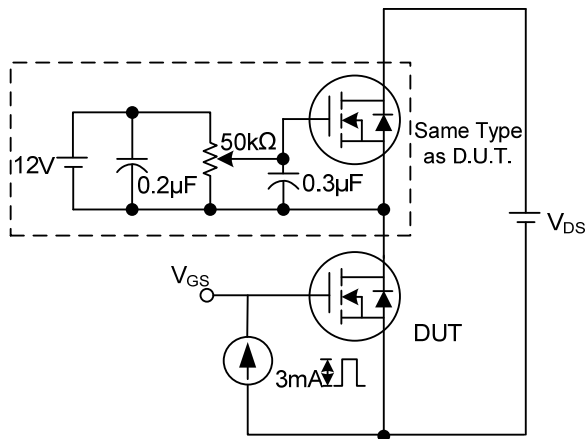
■ TEST CIRCUITS AND WAVEFORMS (Cont.)



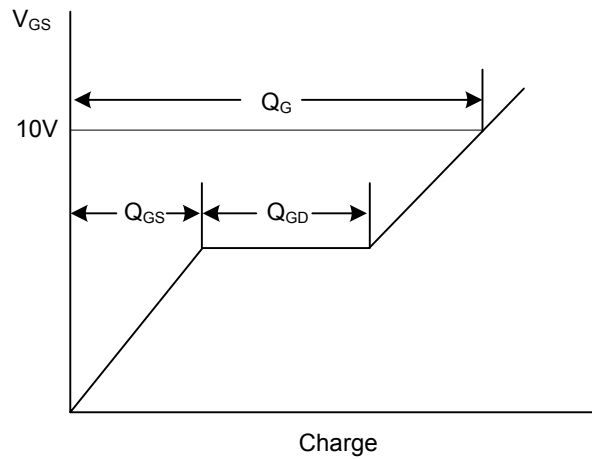
Switching Test Circuit



Switching Waveforms

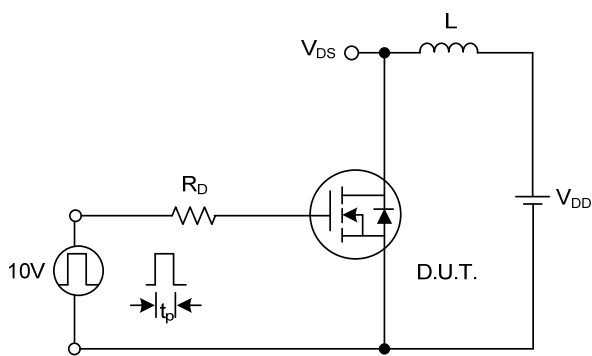


Gate Charge Test Circuit

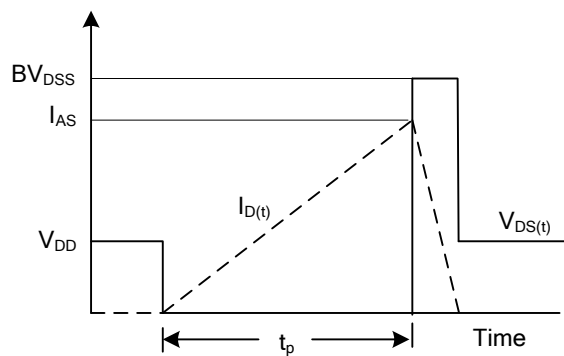


Charge

Gate Charge Waveform



Unclamped Inductive Switching Test Circuit



Unclamped Inductive Switching Waveforms

UTC assumes no responsibility for equipment failures that result from using products at values that exceed, even momentarily, rated values (such as maximum ratings, operating condition ranges, or other parameters) listed in products specifications of any and all UTC products described or contained herein. UTC products are not designed for use in life support appliances, devices or systems where malfunction of these products can be reasonably expected to result in personal injury. Reproduction in whole or in part is prohibited without the prior written consent of the copyright owner. The information presented in this document does not form part of any quotation or contract, is believed to be accurate and reliable and may be changed without notice.