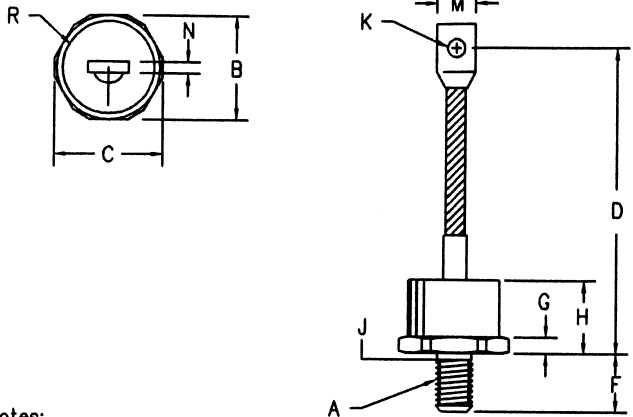


# Silicon Power Rectifier

## 1N3161 — 1N3177



Dim.	Inches		Millimeter		Notes
	Minimum	Maximum	Minimum	Maximum	
A	3/4-16 UNF		---	---	1
B	1.218	1.250	30.93	31.75	
C	1.350	1.375	34.29	34.93	
D	5.30	5.90	134.62	149.86	
F	.793	.828	20.14	21.03	
G	.300	.325	7.62	8.25	
H	---	.900	---	22.86	
J	.660	.745	16.76	19.02	2
K	.338	.348	8.58	8.84	Dia.
M	.665	.755	16.89	19.17	
N	.125	.172	3.18	4.37	
R	---	1.10	---	27.94	Dia.

- Notes:
1. Full threads within 2 1/2 threads.
  2. Standard Polarity: Stud is Cathode  
 Reverse Polarity: Stud is Anode

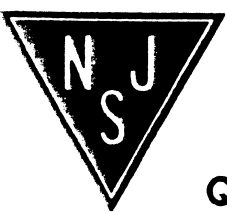
### D0205AB (D09)

Microsemi Catalog Number	Peak Reverse Voltage
1N3161	50V
1N3162	100V
1N3163	150V
1N3164	200V
1N3165	250V
1N3166	300V
1N3167	350V
1N3168	400V
1N3169	500V
1N3170	600V
1N3171,A	700V
1N3172,A	800V
1N3173,A	900V
1N3174,A	1000V
1N3175	1200V
1N3176	1400V
1N3177	1600V

Add R suffix for reverse polarity

- Glass to metal seal construction
- High surge current capability
- Glass Passivated Die
- Rugged construction
- $V_{RRM}$  50-1600 Volts

Electrical Characteristics		
Max average forward current	$I_{F(AV)}$ 240 Amps	$T_C = 149^\circ\text{C}$ , Half sine wave, $R_{\theta JC} = 0.20^\circ\text{C/W}$ 8.3ms, half sine, $T_J = 200^\circ\text{C}$ less than 8.33ms
Max surge current	$I_{FSM}$ 3000 Amps	
Max. $I^2t$ capability for fusing	$I^2t$ 37,480 <sup>2</sup> S	$I_F = 240\text{A}; T_C = 25^\circ\text{C}$
Max peak forward voltage	$V_{FM}$ 1.25 Volts	$V_{RRM}, T_C = 150^\circ\text{C}$
Max peak reverse current	$I_{RRM}$ 10mA	$V_{RRM}, T_C = 25^\circ\text{C}$
Max peak reverse current	$I_{RRM}$ 75 $\mu\text{A}$	
Max recommended operating frequency	7.5 kHz	



**Quality Semi-Conductors**