



2SB1216

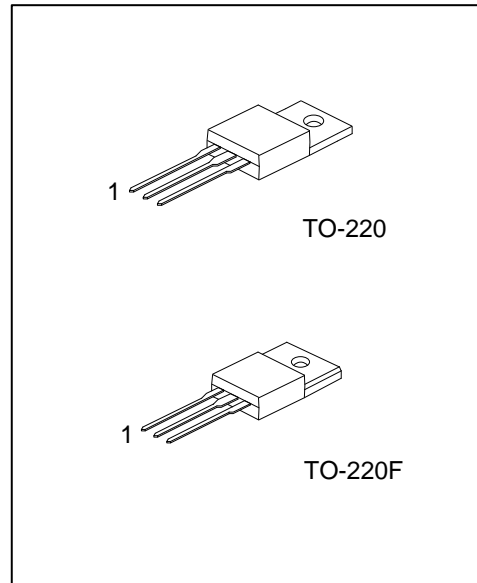
Preliminary

PNP PLANAR TRANSISTOR

HIGH CURRENT SWITCHING APPLICATIONS

FEATURES

- * Low collector-to-emitter saturation voltage
- * Good linearity of h_{FE}
- * Small and slim package facilitating compactness of sets.
- * High f_T
- * Fast switching speed
- * Complement the 2SD1816



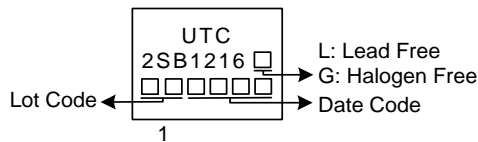
ORDERING INFORMATION

Ordering Number		Package	Pin Assignment			Packing
Lead Free	Halogen Free		1	2	3	
2SB1216L-x-TA3-T	2SB1216G-x-TA3-T	TO-220	B	C	E	Tube
2SB1216L-x-TF3-T	2SB1216G-x-TF3-T	TO-220F	B	C	E	Tube

Note: Pin assignment: B: Base C: Collector E: Emitter

<p>2SB1216G-x-TA3-T</p>	<p>(1) Packing Type</p> <p>(2) Package Type</p> <p>(3) Rank</p> <p>(4) Green Package</p>	<p>(1) T: Tube</p> <p>(2) TA3: TO-220, TF3: TO-220F</p> <p>(3) x: refer to Classification of h_{FE1}</p> <p>(4) G: Halogen Free and Lead Free, L: Lead Free</p>
-------------------------	--	--

MARKING



■ **ABSOLUTE MAXIMUM RATINGS** ($T_A=25^\circ\text{C}$, unless otherwise specified)

PARAMETER	SYMBOL	RATINGS	UNIT
Collector-Base Voltage	V_{CBO}	-120	V
Collector-Emitter Voltage	V_{CEO}	-100	V
Emitter-Base Voltage	V_{EBO}	-6	V
Collector Current	DC	-4	A
	Pulse(Note 2)	-8	A
Collector Dissipation	P_C	2	W
Junction Temperature	T_J	+150	$^\circ\text{C}$
Storage Temperature	T_{STG}	-40 ~ +150	$^\circ\text{C}$

Notes: 1. Absolute maximum ratings are those values beyond which the device could be permanently damaged.

Absolute maximum ratings are stress ratings only and functional device operation is not implied.

2. Duty=1/2, Pw=20ms.

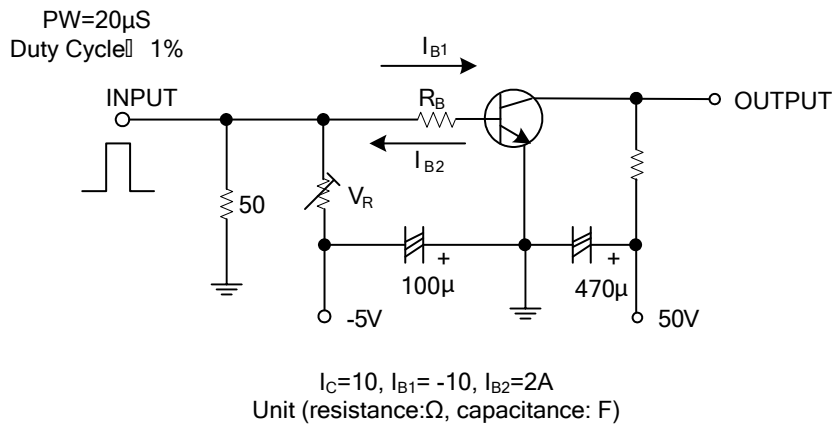
■ **ELECTRICAL CHARACTERISTICS** ($T_A=25^\circ\text{C}$, unless otherwise specified)

PARAMETER	SYMBOL	TEST CONDITIONS	MIN	TYP	MAX	UNIT
Collector Base Breakdown Voltage	BV_{CBO}	$I_C = 10\mu\text{A}$, $I_E = 0$	-120			V
Collector Emitter Breakdown Voltage	BV_{CEO}	$I_C = 1\text{mA}$, $R_B = \infty$	-100			V
Emitter Base Breakdown Voltage	BV_{EBO}	$I_E = 10\mu\text{A}$, $I_C = 0$	-6			V
Base-Emitter Saturation Voltage	$V_{BE(SAT)}$	$I_C = 2\text{A}$, $I_B = 0.2\text{A}$		-0.9	-1.2	V
Collector-Emitter Saturation Voltage	$V_{CE(SAT)}$	$I_C = 2\text{A}$, $I_B = 0.2\text{A}$		-200	-500	mV
Collector Cut-Off Current	I_{CBO}	$V_{CB} = 100\text{V}$, $I_E = 0$			-1	μA
Emitter Cut-Off Current	I_{EBO}	$V_{EB} = 4\text{V}$, $I_C = 0$			-1	μA
DC Current Transfer Ratio	h_{FE1}	$V_{CE} = 5\text{V}$, $I_C = 0.5\text{A}$	70		400	
	h_{FE2}	$V_{CE} = 5\text{V}$, $I_C = 3\text{A}$	40			
Transition Frequency	f_T	$V_{CE} = 10\text{V}$, $I_C = 0.5\text{A}$		130		MHz
Output Capacitance	C_{ob}	$V_{CB} = 10\text{V}$, $I_E = 0\text{A}$, $f = 1\text{MHz}$		65		pF
Turn-on Time	t_{ON}	See test circuit		100		ns
Storage Time	t_{STG}	See test circuit		800		ns
Fall Time	t_F	See test circuit		50		ns

■ **CLASSIFICATION of h_{FE1}**

RANK	Q	R	S	T
RANGE	70 -140	100 - 200	140 - 280	200 - 400

■ TEST CIRCUIT



UTC assumes no responsibility for equipment failures that result from using products at values that exceed, even momentarily, rated values (such as maximum ratings, operating condition ranges, or other parameters) listed in products specifications of any and all UTC products described or contained herein. UTC products are not designed for use in life support appliances, devices or systems where malfunction of these products can be reasonably expected to result in personal injury. Reproduction in whole or in part is prohibited without the prior written consent of the copyright owner. UTC reserves the right to make changes to information published in this document, including without limitation specifications and product descriptions, at any time and without notice. This document supersedes and replaces all information supplied prior to the publication hereof.