

RoHS Compliant Product
A suffix of "-C" specifies halogen & lead-free

FEATURES

- Low Saturation Voltage
- High Speed Switching

MARKING

C554

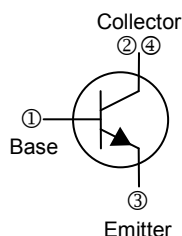
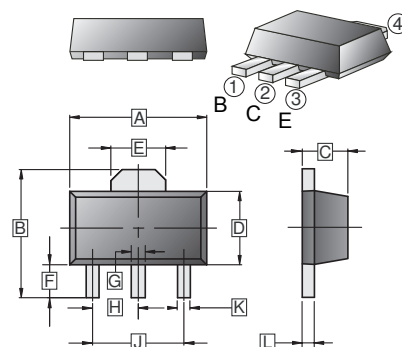
PACKAGE INFORMATION

Package	MPQ	Leader Size
SOT-89	1K	7 inch

ORDER INFORMATION

Part Number	Type
2SC554	Lead (Pb)-free
2SC554-C	Lead (Pb)-free and Halogen-free

SOT-89



REF.	Millimeter		REF.	Millimeter	
	Min.	Max.		Min.	Max.
A	4.40	4.60	G	0.40	0.58
B	3.94	4.25	H	1.50 TYP	
C	1.40	1.60	J	3.00 TYP	
D	2.25	2.60	K	0.32	0.52
E	1.55 TYP.		L	0.35	0.44
F	0.89	1.20			

ABSOLUTE MAXIMUM RATINGS (T_A=25°C unless otherwise specified)

Parameter	Symbol	Ratings	Unit
Collector-Base Voltage	V _{CB0}	100	V
Collector-Emitter Voltage	V _{CEO}	100	V
Emitter-Base Voltage	V _{EBO}	6	V
Collector Current-Continuous	I _C	2	A
Collector Power Dissipation	P _C	500	mW
Thermal Resistance From Junction-Ambient	R _{θJA}	250	°C/W
Junction & Storage Temperature	T _J , T _{STG}	150, -55~150	°C

ELECTRICAL CHARACTERISTICS (T_A=25°C unless otherwise specified)

Parameter	Symbol	Min.	Typ.	Max.	Unit	Test conditions
Collector-Base Breakdown Voltage	V _{(BR)CBO}	100	-	-	V	I _C =0.1mA, I _E =0
Collector-Emitter Breakdown Voltage	V _{(BR)CEO}	100	-	-	V	I _C =1mA, I _B =0
Emitter-Base Breakdown Voltage	V _{(BR)EBO}	6	-	-	V	I _E =0.1mA, I _C =0
Collector Cut-off Current	I _{CB0}	-	-	1	μA	V _{CB} =100V, I _E =0
Emitter Cut-off Current	I _{EBO}	-	-	1	μA	V _{EB} =4V, I _C =0
DC Current Gain	h _{FE}	82	-	270		V _{CE} =3V, I _C =100mA
Collector-Emitter Saturation Voltage	V _{CE(sat)}	-	-	0.2	V	I _C =500mA, I _B =25mA
		-	-	0.3		I _C =1A, I _B =50mA
Transition Frequency	f _T	30	-	-	MHz	V _{CE} =5V, I _C =100mA
Collector Output Capacitance	C _{ob}	-	16	-	pF	V _{CB} =10V, I _E =0, f=1MHz

CHARACTERISTIC CURVES

