

Silicon NPN Power Transistors

2SD2399

DESCRIPTION

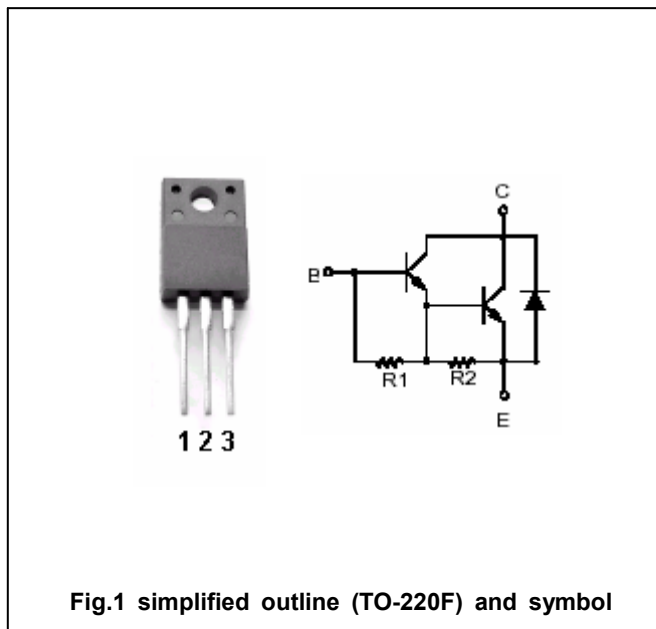
- With TO-220F package
- Complement to type 2SB1568
- High DC current gain.
- DARLINGTON

APPLICATIONS

- For low frequency power amplifier applications

PINNING

PIN	DESCRIPTION
1	Base
2	Collector
3	Emitter



Absolute maximum ratings (Ta=25°C)

SYMBOL	PARAMETER	CONDITIONS	VALUE	UNIT
V _{CB0}	Collector-base voltage	Open emitter	80	V
V _{CEO}	Collector-emitter voltage	Open base	80	V
V _{EBO}	Emitter-base voltage	Open collector	7	V
I _C	Collector current		4	A
I _{CM}	Collector current-peak	Single pulse	6	A
P _C	Collector dissipation	T _C =25°C	30	W
		T _a =25°C	2	
T _j	Junction temperature		150	°C
T _{stg}	Storage temperature		-55~150	°C

Silicon NPN Power Transistors

2SD2399

CHARACTERISTICS

T_j=25 °C unless otherwise specified

SYMBOL	PARAMETER	CONDITIONS	MIN	TYP.	MAX	UNIT
V _{(BR)CBO}	Collector-base breakdown voltage	I _C =50μA; I _E =0	80			V
V _{(BR)CEO}	Collector-emitter breakdown voltage	I _C =1mA; I _B =0	80			V
V _{CEsat}	Collector-emitter saturation voltage	I _C =2A ; I _B =4mA			1.5	V
I _{CBO}	Collector cut-off current	V _{CB} =80V; I _E =0			0.1	mA
I _{EBO}	Emitter cut-off current	V _{EB} =5V; I _C =0			3.0	mA
h _{FE}	DC current gain	I _C =2A ; V _{CE} =3V	1000		10000	
C _{OB}	Output capacitance	I _E =0 ; V _{CB} =10V; f=1MHz		35		pF
f _T	Transition frequency	I _E =-0.2A ; V _{CE} =5V; f=10MHz		40		MHz

Silicon NPN Power Transistors

2SD2399

PACKAGE OUTLINE

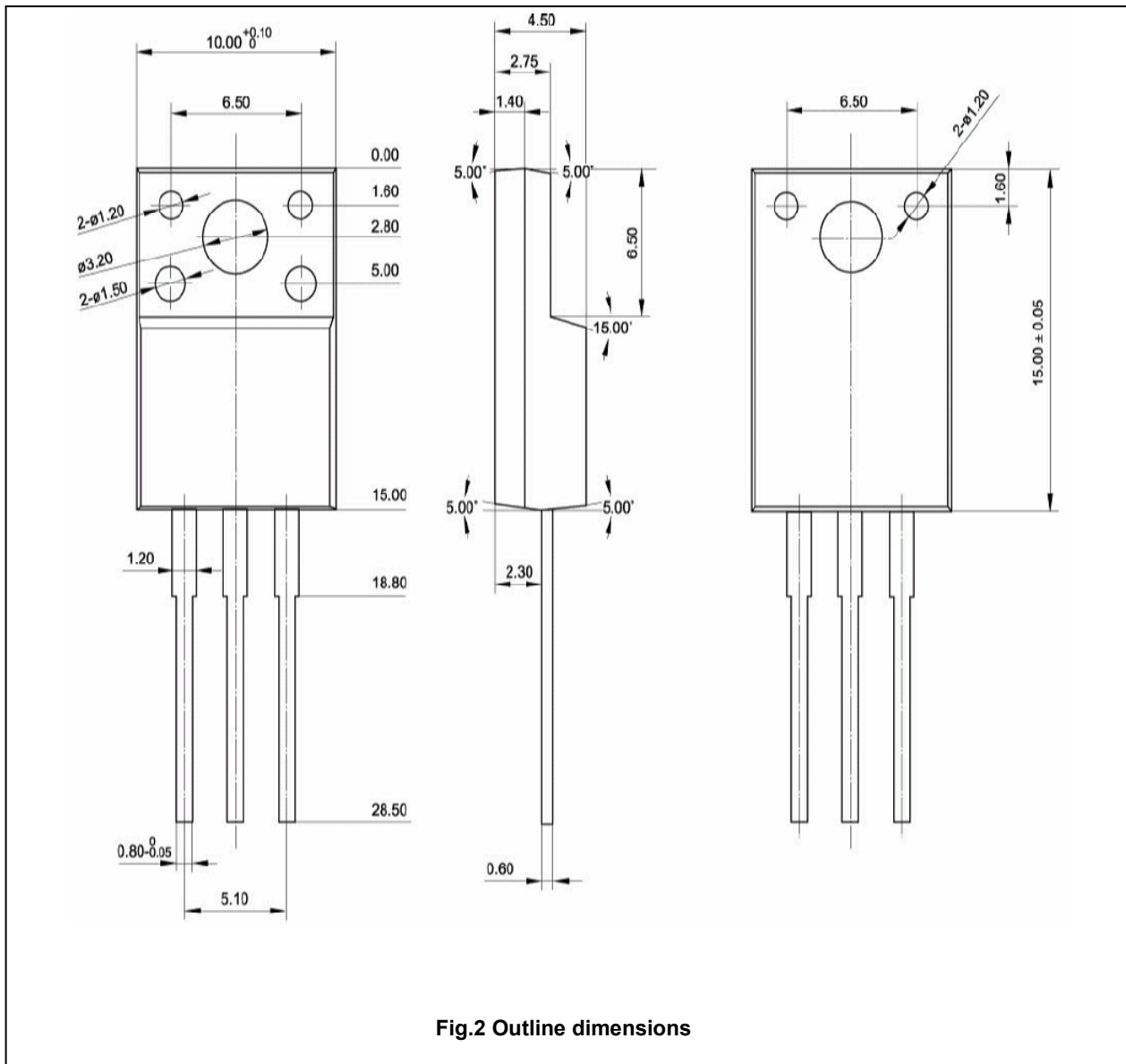


Fig.2 Outline dimensions