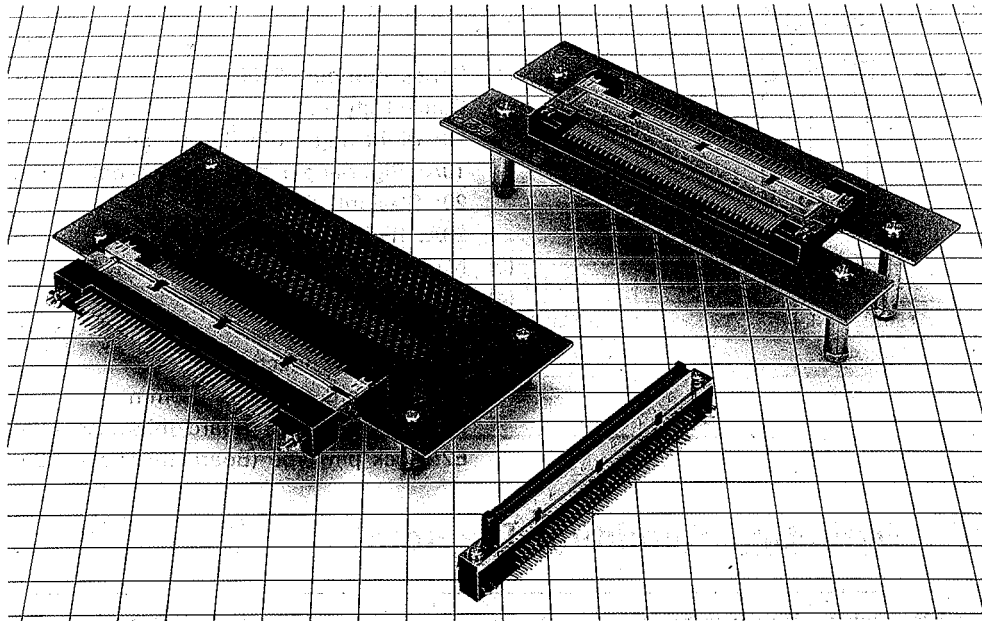


# HRS 3200 Series

## Interface Connectors with 0.8mm spacing Docking Connectors

### ■ GENERAL

The 3200 Series of board-to-board connectors is designed for use with high-density interfaces and comes with 152, 240 pins and 0.8 mm contact spacing.



### ■ FEATURES

1. Contact spacing is 0.8 mm (with a 152-position, 2-row type and a 240-position, 4-row type).
2. A highly reliable two-point contact design is used for the pin structure.
3. The lead section of the board mounting side has a 0.8-mm spacing with 4 rows having 1.905 mm between rows (for 152 positions) and 8 rows (for 240 positions) in a staggered arrangement which simplifies board pattern design.
4. Six contacts at each end, totalling 12 contacts (for 152 positions) and 8 contacts at each end, totalling 16 contacts (for 240 positions) are of a sequenced construction which make contact before the other contacts.
5. These board-to-board type connectors feature a guided construction for ease of engagement.
6. A shell system has been used as a measure against noise and grounds are dropped directly to the board and panel.
7. A lock-pin system has been used for provisional fastening to the board which prevents lifting at the time of soldering.

### ■ APPLICATIONS

Personal computers, workstations, etc.

## MAJOR SPECIFICATIONS

Item	Performance
Current capacity	0.5A
Rated voltage	125V AC
Insulation resistance	250MΩ or greater at 100V DC
Contact resistance	50m or less at 100mA DC
Withstand voltage	300V AC rms for 1 minute
Contact life	5,000 cycles
Suitable board thickness	1.2mm and 1.6mm

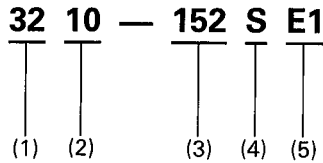
## MATERIALS AND PROCESSING

Main Materials Used		
Item	Material	Process
Shell	Copper alloy	Nickel plating
Insulator	※Synthetic resin	Black
Male pins	Copper alloy	Partial gold plating
Female pins	Copper alloy	Partial gold plating

※UL94V-0

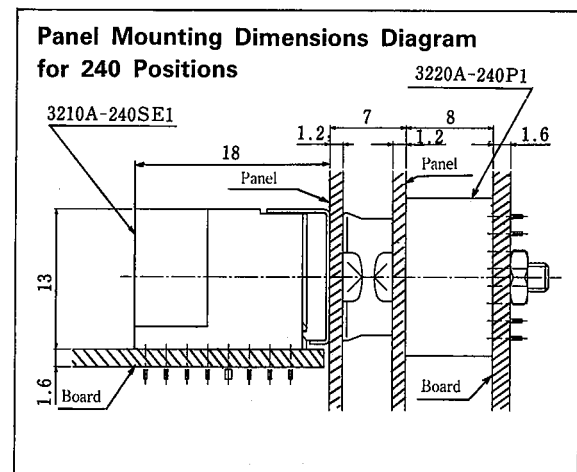
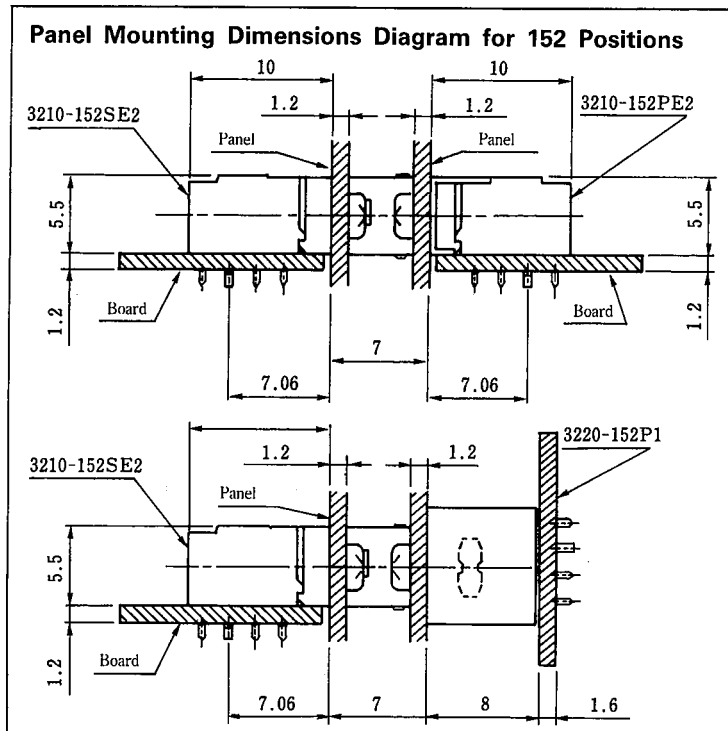
## STRUCTURE OF THE PRODUCT NUMBER

### ● Receptacle Connectors

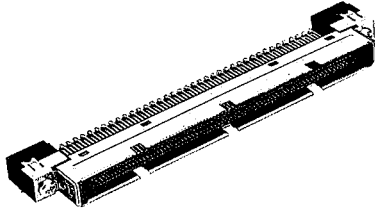


- (1) Series number: 3200
- (2) Contact style
  - 10: Right angle dip (2-row type)
  - 10A: Right-angle dip (4-row type)
  - 20: Straight dip (2-row type)
  - 20A: Right-angle dip (4-row type)
- (3) Number of pins: 152, 240
- (4) Type of opening
  - P: Male connector
  - S: Female connector
- (5) 1: For Board thickness 1.6mm  
 E1: Lock pin type (Board thickness 1.6mm)  
 E2: Lock pin type (Board thickness 1.2mm)

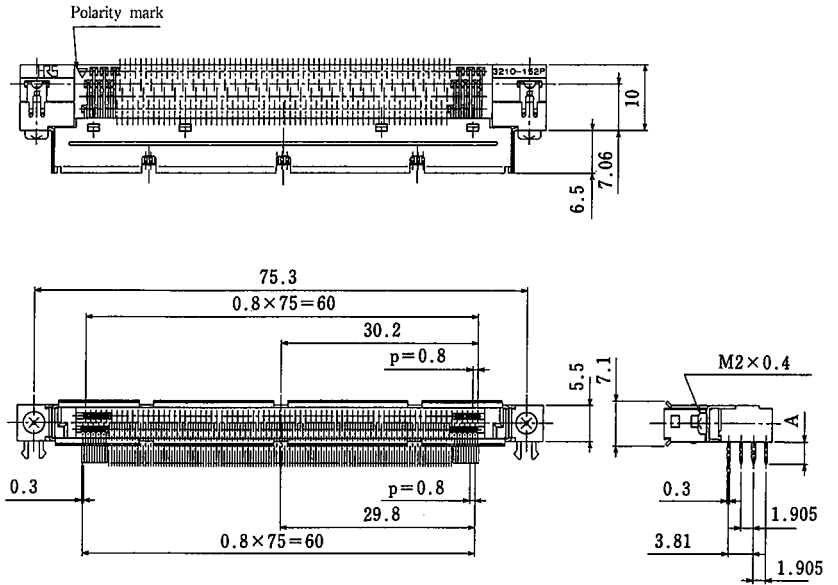
### ◆ Connector Mounting Condition Diagram



## MALE RIGHT ANGLE DIP TYPE



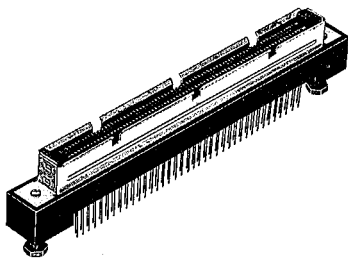
CL232-0501-7  
3210-152PE2



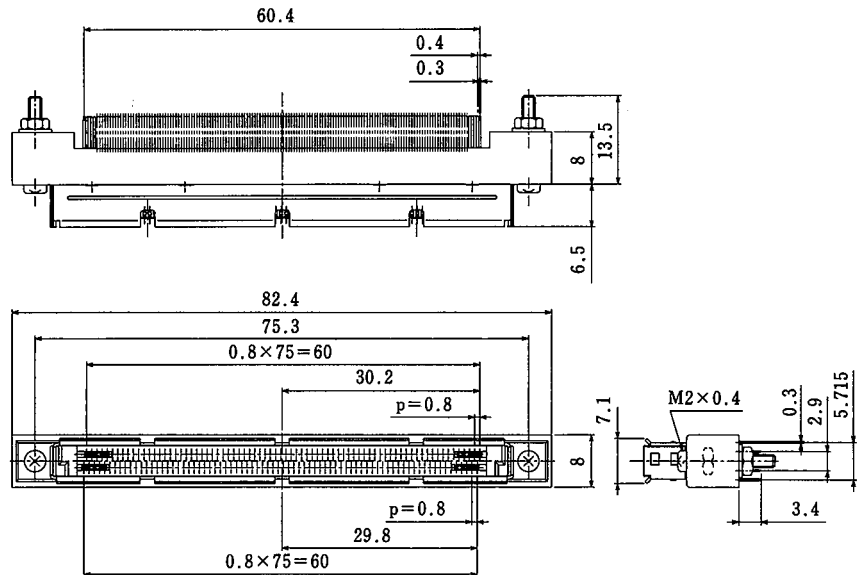
Unit: mm

HRS No.	Number of Pins	Product No.	A
CL232-0505-8	152	3210-152PE1	3.4
CL232-0501-7	152	3210-152PE2	2.4

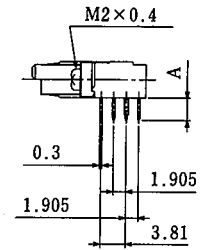
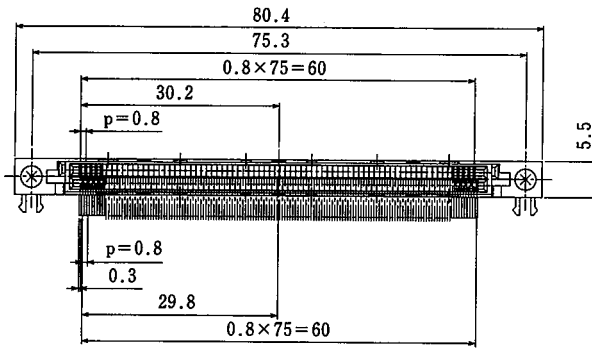
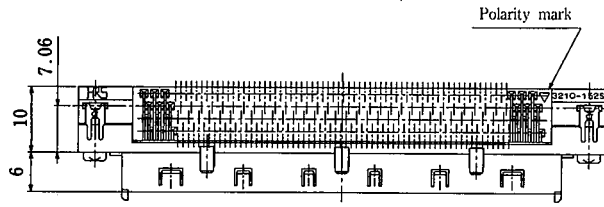
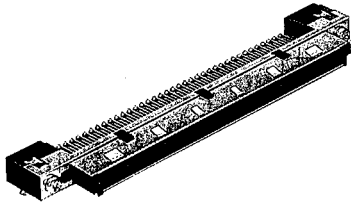
## MALE STRAIGHT DIP TYPE



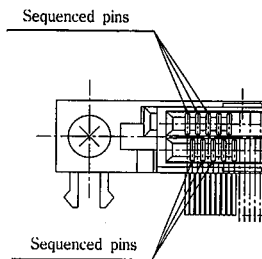
CL232-0508-6  
3220-152P1



# FEMALE RIGHT ANGLE DIP TYPE



CL232-0500-4  
3210-152SE2

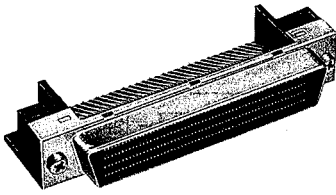


Six contacts at each end, totalling 12 contacts, are of a sequenced system which makes contact before the other contacts.

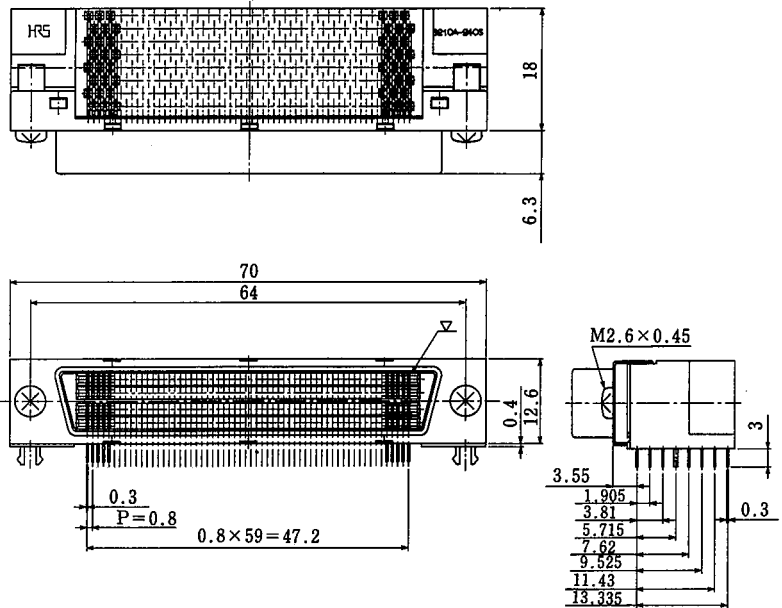
Unit: mm

HRS No.	Number of Pins	Product No.	A
CL232-0504-5	152	3210-152SE1	3.4
CL232-0500-4	152	3210-152SE2	2.4

## ■ FEMALE RIGHT ANGLE DIP TYPE

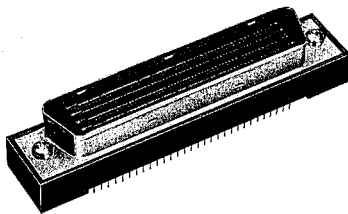


CL232-0509-9  
3210A-240SE1

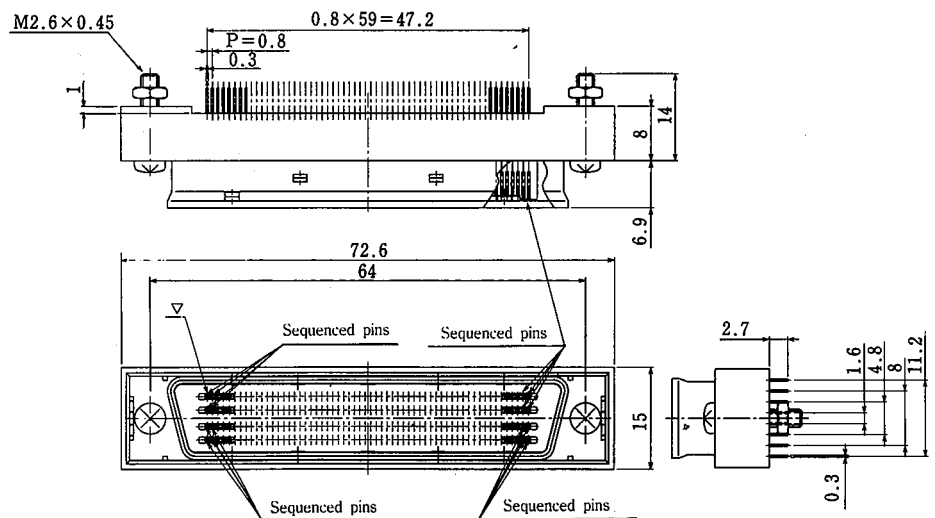


HRS No.	Number of Pins	Product No.
CL232-0509-9	240	3210A-240SE1

## ■ MALE STRAIGHT DIP TYPE



CL232-0510-8  
3220A-240P1

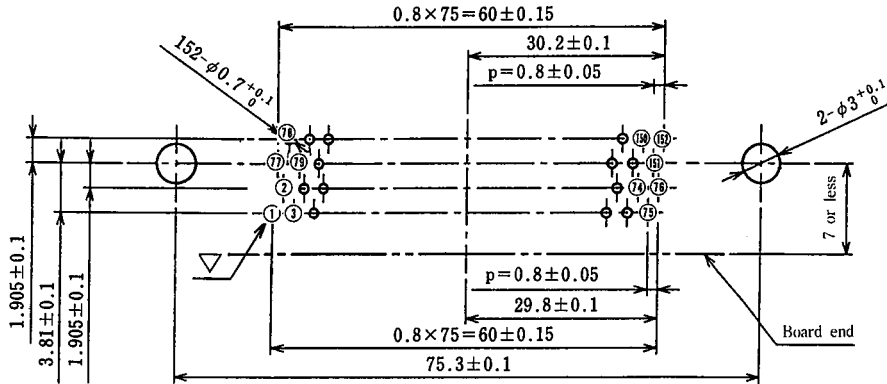


**Eight contacts at each end, totalling 16 contacts, are of a sequenced system which makes contact before the other contacts.**

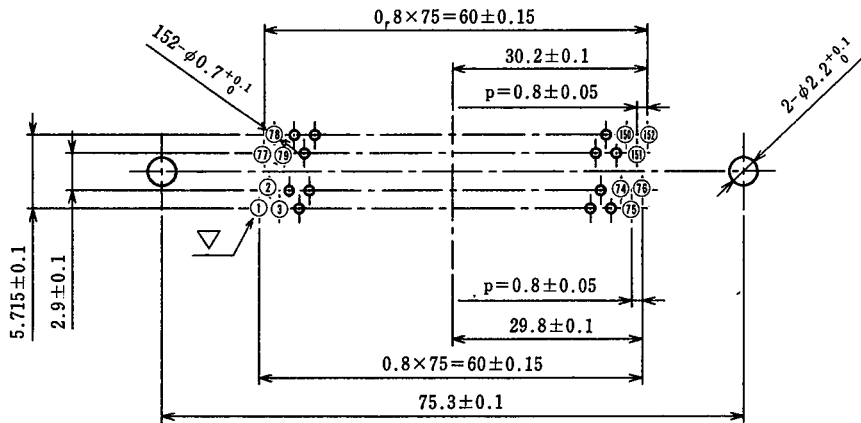
HRS No.	Number of Pins	Product No.
CL232-0510-8	240	3220A-240P1

◆ **Board Mounting Dimensions Diagram**  
 (Recommended Board thickness: 1.2mm or 1.6mm)

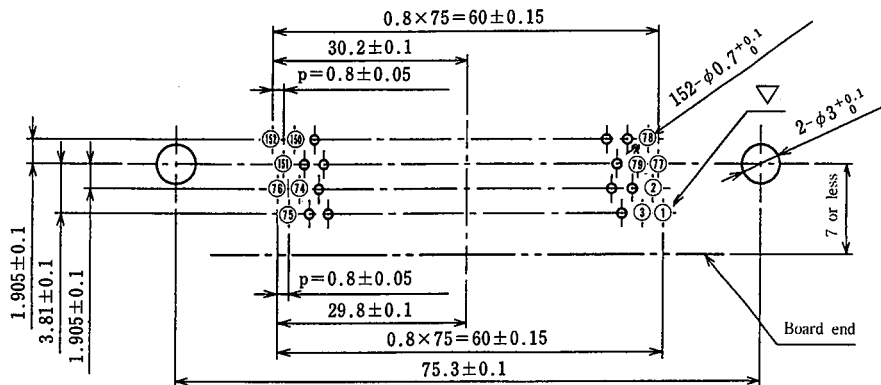
- **3210-152PE※ (Male right angle dip type)**



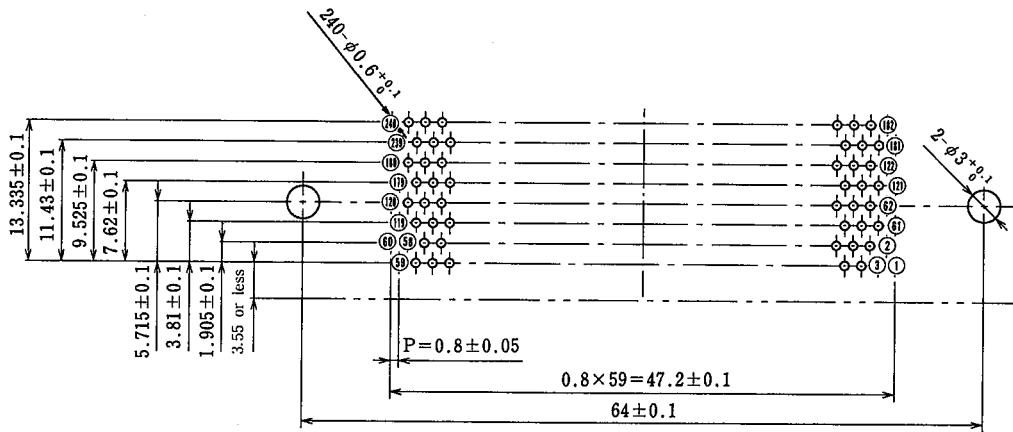
- **3220-152P1 (Male vertical dip type)**



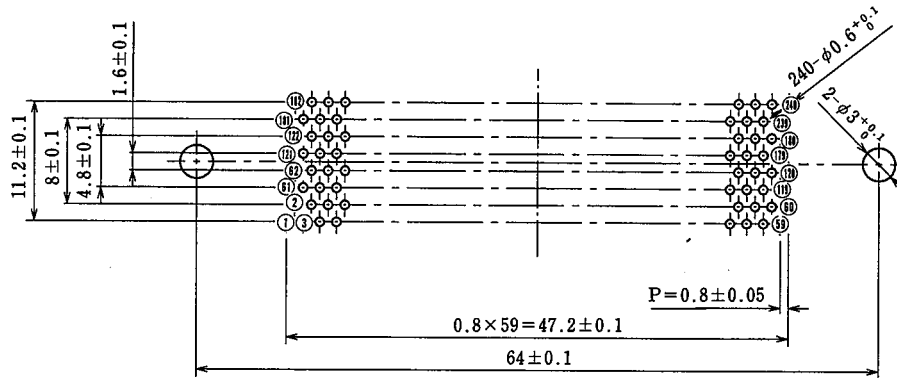
- **3210-152SE※ (Female right angle dip type)**



● 3210A-240SE1 (Female right angle dip type)

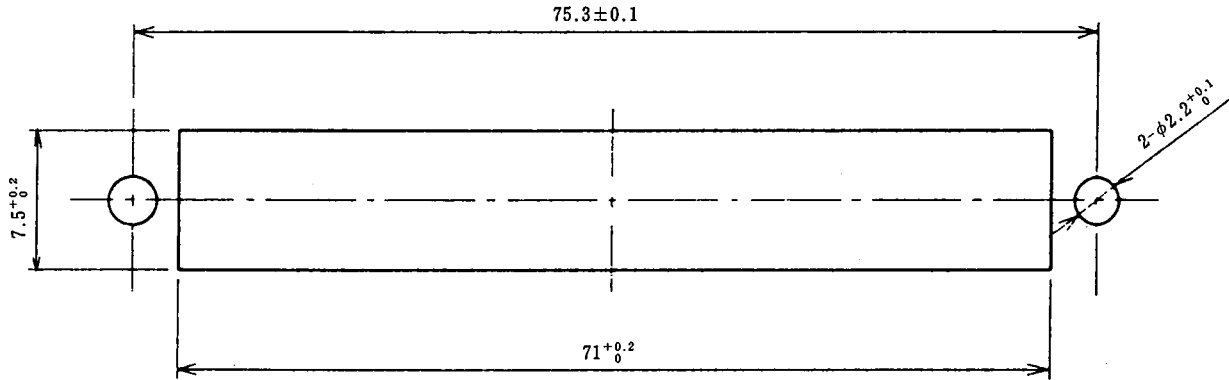


● 3220A-240P1 (Male vertical dip type)

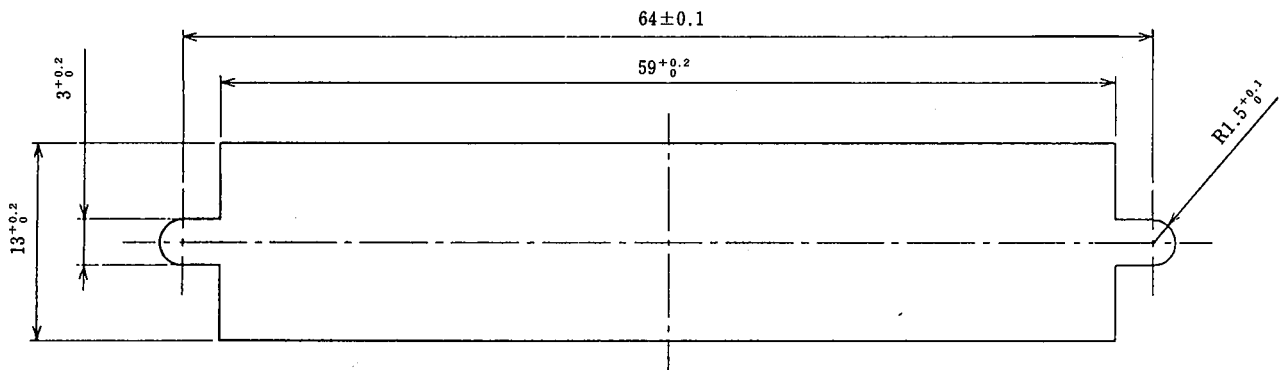


◆ **Panel Mounting Dimensions Diagram**  
 (Recommended Panel thickness: 1.2mm or less)

● **152 Positions**



● **240 Positions**



◆ **Caution**

Connectors are equipped with molded guides and so forceful prying of the connectors will result in breakage. In keeping with the design of the connector set, the maximum prying angle should be kept within 4 degrees.

