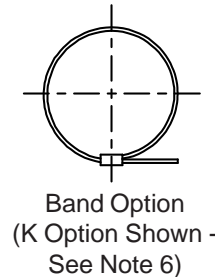
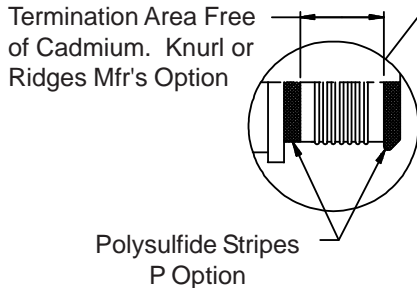
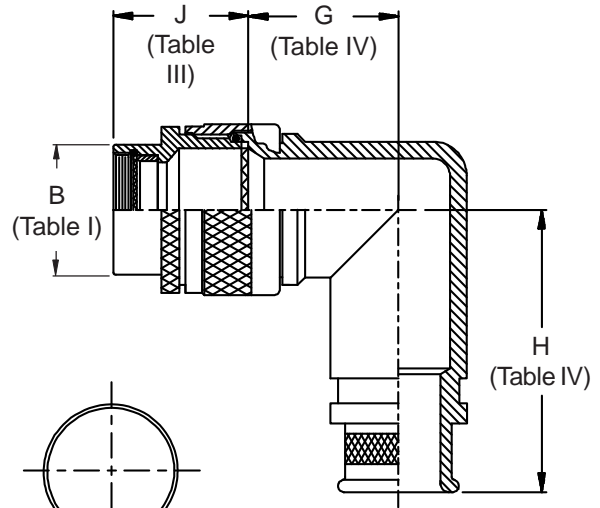
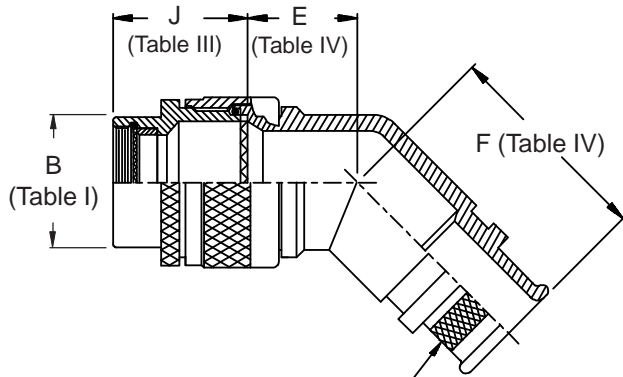
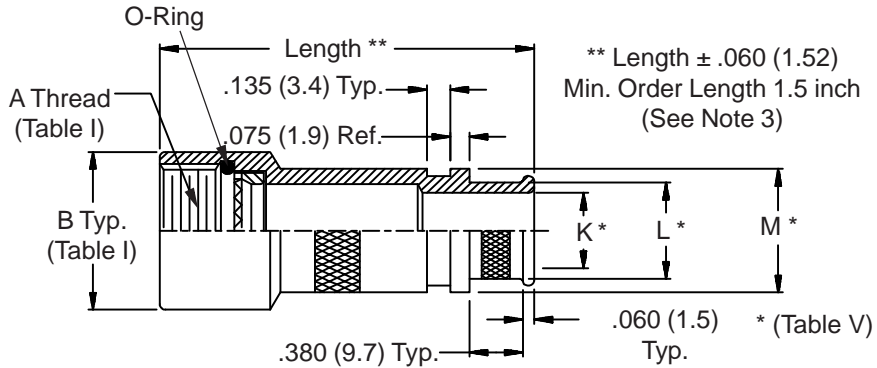
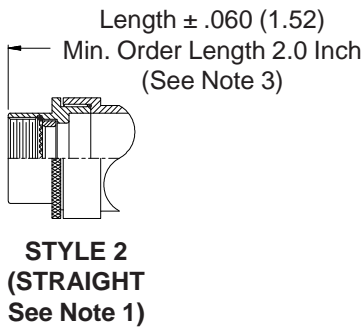
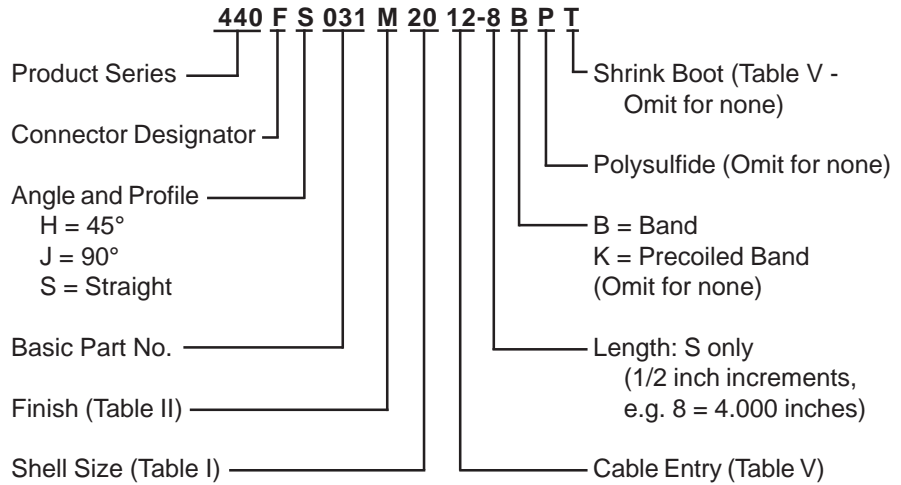


CONNECTOR DESIGNATORS
A-B*-C-D-E-F
G-H-J-K-L-S
 * Conn. Desig. B See Note 5
DIRECT COUPLING



440-031
EMI/RFI Banding and Shrink Boot Adapter
Direct Coupling - Standard Profile



See inside back cover fold-out or pages 13 and 14 for Tables I and II.

| Shell Size | J Max - Conn. Designator | | |
|------------|--------------------------|--------------|--------------|
| | A-E-F | | |
| | J-H-L-S | D-B-G-K | C |
| 08/09 | 1.180 (30.0) | 1.250 (31.8) | |
| 10/11 | 1.180 (30.0) | 1.250 (31.8) | |
| 12/13 | 1.180 (30.0) | 1.250 (31.8) | 1.735 (44.1) |
| 14/15 | 1.180 (30.0) | 1.250 (31.8) | 1.915 (48.6) |
| 16/17 | 1.380 (35.0) | 1.560 (39.6) | 1.915 (48.6) |
| 18/19 | 1.380 (35.0) | 1.560 (39.6) | 1.915 (48.6) |
| 20/21 | 1.380 (35.0) | 1.560 (39.6) | 1.915 (48.6) |
| 22/23 | 1.380 (35.0) | 1.560 (39.6) | 1.915 (48.6) |
| 24/25 | 1.380 (35.0) | 1.560 (39.6) | 1.915 (48.6) |
| 28/29 | 1.610 (40.9) | 1.560 (39.6) | 1.915 (48.6) |
| 32/33 | 1.610 (40.9) | 1.750 (44.5) | 1.915 (48.6) |
| 36 | 1.610 (40.9) | 1.750 (44.5) | 1.915 (48.6) |
| 40 | 1.610 (40.9) | 2.190 (55.6) | 1.915 (48.6) |

| Dash No.(s) | E Max | F Max | G Max | H Max |
|-------------|--------------|--------------|--------------|--------------|
| 01 | .625 (15.9) | .940 (23.9) | .732 (18.6) | 1.078 (27.4) |
| 02 & 31 | .625 (15.9) | .940 (23.9) | .732 (18.6) | 1.078 (27.4) |
| 03 & 32 | .688 (17.5) | 1.000 (25.4) | .757 (19.2) | 1.108 (28.1) |
| 04 & 33 | .711 (18.1) | 1.050 (26.7) | .781 (19.8) | 1.128 (28.7) |
| 05 & 34 | .781 (19.8) | 1.150 (29.2) | .825 (21.0) | 1.178 (29.9) |
| 06 & 35 | .841 (21.4) | 1.188 (30.2) | .896 (22.8) | 1.190 (30.2) |
| 07 & 36 | .866 (22.0) | 1.208 (30.7) | 1.093 (27.8) | 1.250 (31.8) |
| 08 & 37 | .893 (22.7) | 1.248 (31.7) | 1.250 (31.8) | 1.320 (33.5) |
| 09 & 38 | .916 (23.3) | 1.278 (32.5) | 1.312 (33.3) | 1.380 (35.1) |
| 10 | 1.134 (28.8) | 1.448 (36.8) | 1.375 (34.9) | 1.500 (38.1) |
| 11 | 1.134 (28.8) | 1.448 (36.8) | 1.375 (34.9) | 1.500 (38.1) |
| 12 | 1.185 (30.1) | 1.488 (37.8) | 1.687 (42.8) | 1.620 (41.1) |
| 13 | 1.185 (30.1) | 1.488 (37.8) | 1.687 (42.8) | 1.620 (41.1) |
| 14 | 1.225 (31.1) | 1.538 (39.1) | 1.812 (46.0) | 1.750 (44.5) |
| 15 | 1.225 (31.1) | 1.538 (39.1) | 1.812 (46.0) | 1.750 (44.5) |

| Dash No. | K | L | M | Shrink Boot |
|----------|--------------|--------------|--------------|-------------|
| 01 | .125 (3.2) | .250 (6.4) | .312 (7.9) | 770-003S111 |
| 31 | .188 (4.8) | .312 (7.9) | .374 (9.5) | 770-003S111 |
| 02 | .250 (6.4) | .375 (9.5) | .437 (11.1) | 770-003S112 |
| 32 | .312 (7.9) | .438 (11.1) | .500 (12.7) | 770-003S112 |
| 03 | .375 (9.5) | .500 (12.7) | .562 (14.3) | 770-001S103 |
| 33 | .438 (11.1) | .562 (14.3) | .624 (15.8) | 770-001S104 |
| 04 | .500 (12.7) | .625 (15.9) | .687 (17.4) | 770-001S104 |
| 34 | .562 (14.3) | .688 (17.5) | .750 (19.1) | 770-001S104 |
| 05 | .625 (15.9) | .750 (19.1) | .812 (20.6) | 770-001S104 |
| 35 | .688 (17.5) | .812 (20.6) | .874 (22.2) | 770-001S104 |
| 06 | .750 (19.1) | .875 (22.2) | .937 (23.8) | 770-001S105 |
| 36 | .812 (20.6) | .938 (23.8) | 1.000 (25.4) | 770-001S105 |
| 07 | .875 (22.2) | 1.000 (25.4) | 1.062 (27.0) | 770-001S105 |
| 37 | .938 (23.8) | 1.062 (27.0) | 1.124 (28.5) | 770-001S105 |
| 08 | 1.000 (25.4) | 1.125 (28.6) | 1.187 (30.1) | 770-001S106 |
| 38 | 1.062 (27.0) | 1.188 (30.2) | 1.250 (31.8) | 770-001S106 |
| 09 | 1.125 (28.6) | 1.250 (31.8) | 1.312 (33.3) | 770-001S107 |
| 10 | 1.250 (31.8) | 1.375 (34.9) | 1.437 (36.5) | 770-001S107 |
| 11 | 1.375 (34.9) | 1.500 (38.1) | 1.562 (39.7) | 770-001S107 |
| 12 | 1.500 (38.1) | 1.625 (41.3) | 1.687 (42.8) | 770-001S107 |
| 13 | 1.625 (41.3) | 1.750 (44.5) | 1.812 (46.0) | 770-001S108 |
| 14 | 1.750 (44.5) | 1.875 (47.6) | 1.937 (49.2) | 770-001S108 |
| 15 | 1.875 (47.6) | 2.000 (50.8) | 2.062 (52.4) | 770-001S109 |
| 16 | 2.000 (50.8) | 2.125 (54.0) | 2.187 (55.5) | 770-001S109 |

1. When maximum cable entry (page 22) is exceeded, Style 2 will be supplied. (Function S only).
2. Metric dimensions (mm) are indicated in parentheses.
3. Consult factory for shorter lengths on straight backshells.
4. See page 40 for Shrink Boot Reference Information.
5. When using Connector Designator B refer to pages 18 and 19 for part number development.
6. Backshells supplied with 600-052-* band, see Glenair Series 600 Tool Catalog for installation.