

# RADIAFLEX



## DESCRIPTION

- Metalwork : Mild steel, plated.
- Natural rubber, bonded, cylindrically shaped.
- Welded fixings: 5 styles (single sided threaded stud, single sided threaded hole, double threaded stud, double threaded holes, combination fixing).

In Europe, we often use different screw standards than our french standard.

To better satisfy this need, Paulstra has created a new range TRadiaflex Europe.

This range is available with the 4 usual welded fixings and with a new fixing : **the threaded hole stop**.

## CHARACTERISTICS

The design of the RADIAFLEX mount gives the following basic characteristics :

- Radial elasticity greater than axial elasticity.
- The rubber works in :
  - compression (axial).
  - shear (radial).
  - compression/shear according to the fixing method.

### Advantages :

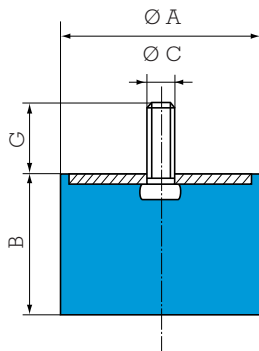
- Simple to fix.
- Simple and economical.
- Extensive range :
  - 11 stud diameters.
  - Several heights for each diameter.
  - 5 methods of fixing.

### Recommendations :

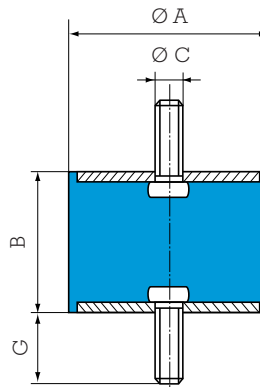
- Operation in shear is very useful for vibration isolation provided that the radial forces are not too great.

# DIMENSIONS AND COMPRESSIVE LOADS

## SINGLE STUD FIXING



## DOUBLE STUDS FIXING



### New RADIAFLEX references

Ø A mm	B mm	Ø C	G mm	Compression		Ref.
				Max. load daN	Deflection mm	
12.5	10	M5	10	12	2	511110
	13.5			11	2.5	511128
	15			10	3	511115
	20			8	3.5	511125
16	10	M4	10	20	2	511150
	15			3	511151	
	15	M5	12	20	2	511292
	20			3	511294	
20	15	4	511296			
25	15	5	511298			
20	8.5	M6	16.5	40	1.5	511200
	15			35	4	511215
	20			30	5	511220
	25			30	5.5	511225
	30			25	7	511230
25.5	10	M6	18	80	2	511158
	15			60	3.5	511155
	20			50	5	511159
	30			50	8	511160
	10	M8	20	80	2	511265
	15			60	3.5	511270
19	55			4.5	511251	
22	50			5.5	511275	
25	50			6	511280	
30	50			8	511285	
40	50	10	511290			
30	15	M8	25	90	3.5	511308
	22			80	6	511310
	30			70	8	511312
	30			70	8	511312
	40			60	9	511314
40	30	M8	20	120	7	511157
	40			120	10	511161
	20	M10	25	160	5	511450
	25			150	6	511401
	35			120	8	511452
	40			120	10	511454
40	120			10	511454	
45	120			11	511456	
50	25	M10	25	300	6	511525
	35			250	9	511535
	45			190	11	511545
60	22	M10	25	350	3	513601
	25			400	6	511625
	36			300	9	511635
	45			250	11	511645
70	35	M10	25	450	9	511735
	50			350	12	511750
	70			300	14	511770
80	25	M14	45	1100	6	513801
	30			950	8	511830
	40			600	10	511840
	70			500	17	511870
	70			500	17	511870
	80			450	19	511880

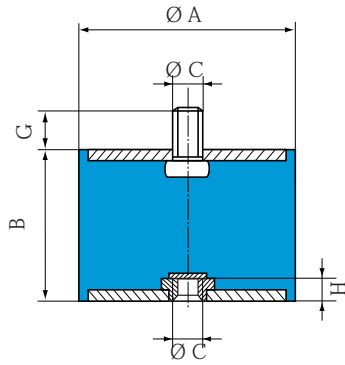
Threaded hole fixing on request (except Ø 12.5).  
See current price list for availability of items.

### See Vibrachoc elastomer range : Threaded studs

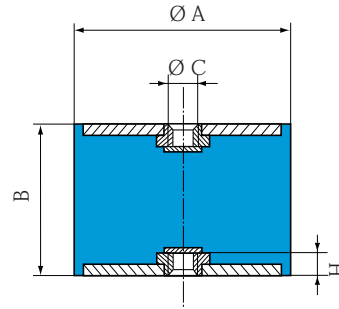
Ø A mm	B mm	Ø C	G mm	Compression		Shear*		Ref.
				Max. load daN	Deflect mm	Max. load daN	Deflect mm	
10	8	M3	6	10	1.6	1.25	0.9	**
12	8	M3	6	12	1.2	1.5	0.75	**
12.5	10	M5	10	12	2	1.5	1.5	521293
	15			3	2.5	2	521128	
	20			8	2.5	4	521295	
16	10	M4	10	20	1.5	2.5	1.5	521650
	15			3	2	2	521651	
	10	M5	12	20	1.5	2.5	1.5	521292
	15			3	2.5	2	521294	
20	4			2.5	4	521296		
25	15	5	5	5	5	521298		
20	8.5	M6	16.5	40	0.6	5	1	521178
	15			35	3	2.5	521249	
	20			30	4.5	5	521297	
	25			30	5.5	4.5	521299	
	30			25	7	4.5	521319	
25.5	10	M6	18	80	1.5	8	1.5	521655
	15			60	2.5	8	2.5	521656
	20			50	2	8	4	521652
	30			50	7.5	8	6	521653
	10	M8	20	80	1.5	8	1.5	521340
	15			60	2.5	8	2.5	521341
22	50			4	8	4	521251	
25	50			5.5	8	4.5	521342	
30	50			7.5	8	6	521343	
40	50			10	6.5	6	521344	
30	15	M8	25	90	3	11	2.5	521308
	22			80	5	11	4	521310
	30			70	8	11	6	521312
	30			70	8	11	6	521312
	40			60	9	11	7.5	521314
40	30	M8	20	150	6	20	5.5	521181
	40			120	10	20	7.5	521657
	20	M10	25	160	4	20	3	521450
	28			150	6	20	5.5	521401
	35			120	8	20	6.5	521452
	40			120	10	20	7.5	521454
40	120			10	20	7.5	521454	
45	120			11	20	9	9	521456
50	25	M10	25	300	6	25	4.5	521580
	35			250	8	25	7	521581
	45			190	11	25	9	521582
60	25	M10	25	400	5	30	4.5	521601
	36			300	8	30	7	521603
	45			250	11	30	9	521641
70	35	M10	25	450	8	35	6.5	521705
	50			350	11	35	11	521710
	50			350	11	35	11	521710
	70			300	14	35	15	521711
80	40	M12	28	600	9	40	7	521658
	30			45	950	7	40	5
	30	M14	45	950	7	40	5	521840
	40			600	9	40	7	521841
	70			500	17	40	15	521842
	80			450	19	40	17	521843
100	40	M16	47	1100	8	60	7	521908
	55			900	12	60	10	521909
	70			750	19	60	17	521910
	80			750	19	60	17	521910

\*The shear characteristics are measured under Axial Load.  
\*\*See VIBRACHOC elastomer range : references E3RP.

## COMBINATION FIXING



## THREADED HOLE FIXING



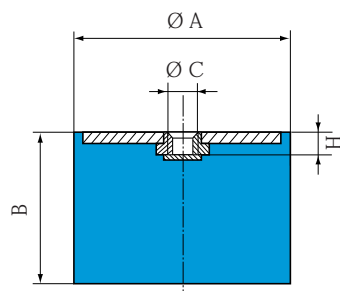
Ø A mm	B mm	Ø C mm	G mm	H mm	Compression		Shear*		Ref.
					Max. load daN	Deflect. mm	Max. load daN	Deflect. mm	
16	10	M4	10	2	20	1.5	2.5	1.5	520053 520054
	15				3	2.5			
	10	M5	12	3	20	1.5	2.5	1.5	520010 520011 520012 520013
	15				3	2.5	2		
	20				4	2.5	4		
25	5				2	5			
20	15	M6	16.5	4	35	2.5	5	2.5	520015 520016 520017 520018
	20				4.5	5	5		
	25				5.5	4.5	4.5		
	30				7	4.5	4.5		
	25				7	4.5	4.5		
25.5	15	M6	18	4	60	2.5	8	8.5	520052 520055 520057
	20				3.5	8	4		
	30				7.5	8	6		
	22	M8	20	6	50	3.5	8	4	520021 520022 520023 520024
	25				5	8	4.5		
30	7.5				8	6			
40	10				6	6			
30	15	M8	25	6	90	3	11	2.5	520025 520026 520027 520028
	22				4.5	11	4		
	30				7.5	11	6		
	30				7.5	11	6		
	40				9	11	7.5		
40	30	M8	20	6	150	4.5	20	5.5	520056 520058
	40				10	20	7.5		
	20	M10	25	8	160	4	20	3	520029 520030 520031 520032 520033
	28				5	20	5.5		
	35				7.5	20	6.5		
40	10				20	7.5			
45	11	20	9						
50	35	M10	25	8	250	8	25	7	520035 520036
	45				190	11	25	9	
60	36	M10	25	8	300	8	30	7	520038 520039
	45				250	10	30	9	
70	35	M10	25	9	450	7.5	35	6.5	520040 520041 520042
	50				10	35	11		
	70				300	14	35	15	
80	40	M12	28	10	600	7	10	7	520059
	40	M14	35	12	600	8	40	7	520044
	70				500	17	40	15	520045
	80				400	19	40	17	520046
100	40	M16	47	14	1100	8	60	7	520100
	55				900	12	60	10	520101
	80				750	12	60	17	520102
	80				600	10	60	10	520546
	100				600	23	60	20	520103

Ø 16 mounts with threaded holes are fitted with RAPID nuts. Maximum torque 1.8 m.N.

Ø A mm	B mm	Ø C mm	H mm	Compression		Shear*		Ref.
				Max. load daN	Deflect. mm	Max. load daN	Deflect. mm	
16	10	M4	2.5	20	1.5	2.5	1.5	520550 520551
	15			3	2.5	2		
	10	M5	3	20	1.5	2.5	1.5	520500 520501 520502 520503
	15			3	2.5	2		
	20			4	2.5	4		
25	5			2	5			
20	15	M6	4	35	2.5	5	2.5	520505 520506 520507 520508
	20			4.5	5	3.5		
	25			5.5	4.5	4.5		
	30			7	4.5	4.5		
	25			7	4.5	4.5		
25.5	20	M6	4	50	3	8	4	520554 520555
	30			7.5	8	6		
	22	M8	6	50	3	8	4	520511 520512 520513 520514
	25			4.5	8	4.5		
	30			7.5	8	6		
40	10			6	6			
30	22	M8	6	80	4	11	4	520516 520517 520518
	30			7.5	11	6		
	40			9	11	7.5		
40	30	M8	6	150	4.5	20	5.5	520552 520553
	40			10	20	7.5		
	28	M10	8	150	4.5	20	5.5	520520 520521 520522 520523
	35			7	20	6.5		
45	11			20	9			
50	35	M10	8	250	7	25	7	520525 520526
	45			190	10	25	9	
60	36	M10	8	300	7	30	7	520528 520529
	45			250	9	30	9	
70	35	M10	9	450	7	35	6.5	520530 520531 520532
	50			9	35	11		
	70			300	14	35	15	
80	40	M12	10	120	10	20	7.5	520556
	40	M14	12	600	7	40	7	520534
	70			500	17	40	15	520535
	80			450	19	40	17	520536
100	40	M16	14	1110	8	60	7	520541
	55			900	12	60	10	520542
	60			1100	8	180	10	520545
	75			600	10	140	12	520546
	80			750	19	60	17	520543
100	600	23	60	20	520547			

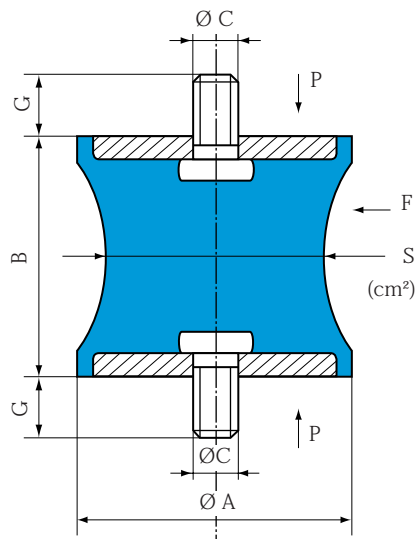
See current price list for availability of items.  
\* Shear characteristics are measured under axial load.

## ONE THREADED HOLE



Ø A mm	B mm	Ø C mm	H mm	Compression		Ref.
				Max load daN	Deflect. mm	
16	10	M4	2.5	20	2	511152 511153
				20	3	
20	15	M6	4	35	4	511154
25.5	15	M6	4	60	3.5	511164 511162 511163
				55	5.5	
				50	8	
30	22	M8	6	80	6	511156

# DIABOLO MOUNTS



Ø A mm	B mm	Ø C	G mm	S cm <sup>2</sup>	Compression		Shear*		Ref.
					Max Load daN	Deflec- tion mm	Max Load daN	Deflec- tion mm	
12.5	14	M5	10	0.3	3	1.4	0.5	1.2	521300
20	19	M6	16.5	1.6	12	2.5	3	5	521201
40	28	M10	25	3.1	30	5	2.5	4.5	521403
57	44	M8	20	5	40	5	7	5	521571
57	44	M8	20	9.5	75	5	12	6	521572
60	60	M10	25	19.5	150	8	30	10	521602
80	70	M14	35	38.5	300	9.5	55	9.5	521801
95	76	M16	45	50	400	9.5	70	8	521951

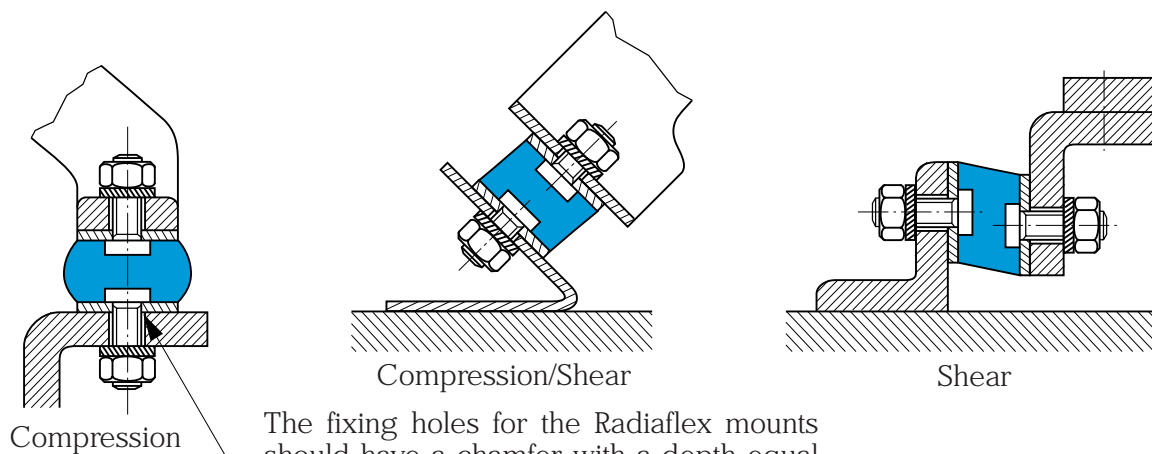
See current price list for availability of items.

\* Shear characteristics\* are measured under axial load.

Also available with Ø 30 locators on each end, 3 mm thick allow M14 threaded holes :

Ø A mm	B mm	Ø C	Depth of thread mm	S cm <sup>2</sup>	Compression		Shear*		Ref.
					Max Load daN	Deflec- tion mm	Max Load daN	Deflec- tion mm	
80	60	M14	15.5	38.5	250	5	70	8	521802

## ASSEMBLY



The fixing holes for the Radiaflex mounts should have a chamfer with a depth equal to the pitch of the thread.

Ex. 521401 : M10 x 150 chamfer = 1.5 mm

521951 : M16 x 200 chamfer = 2 mm