

PLEASE CHECK WWW.MOLEX.COM FOR LATEST PART INFORMATION

Part Number: [0546791639](#)
Status: **Active**
Description: 1.25mm (.049") Pitch Small MGC (Multi-Ground Connector) Panel Mount Receptacle Housing, Polarizing Key 6.00mm (.236") Right From the Center

Documents:

[3D Model](#) [Product Specification PS-54678-007 \(PDF\)](#)
[Drawing \(PDF\)](#) [RoHS Certificate of Compliance \(PDF\)](#)

General

Product Family	Accessories
Series	54679
Component Type	Adapter
Product Name	Small MGC

Physical

Circuits (Loaded)	16
Color - Resin	Gray
Gender	Female
Material - Plating Mating	Gold
Material - Plating Termination	Tin
Material - Resin	Polyester
Number of Rows	2
Packaging Type	Tray
Plating min: Mating (µin)	4
Plating min: Mating (µm)	0.1
Plating min: Termination (µin)	40
Plating min: Termination (µm)	2
Polarized to Mating Part	Yes
Temperature Range - Operating	-20°C to +80°C
Termination Interface: Style	N/A, Through Hole

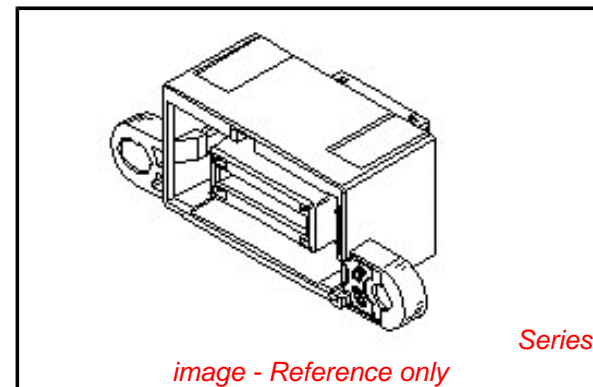
Electrical

Current - Maximum per Contact	1.5A
-------------------------------	------

Material Info

Reference - Drawing Numbers

Product Specification	PS-54678-007
Sales Drawing	SD-54679-004



EU RoHS

**ELV and RoHS
Compliant**
**REACH SVHC
Contains SVHC: No
Halogen-Free
Status**

China RoHS



**Need more information on product
environmental compliance?**

Email productcompliance@molex.com
 For a multiple part number RoHS Certificate of Compliance, [click here](#)

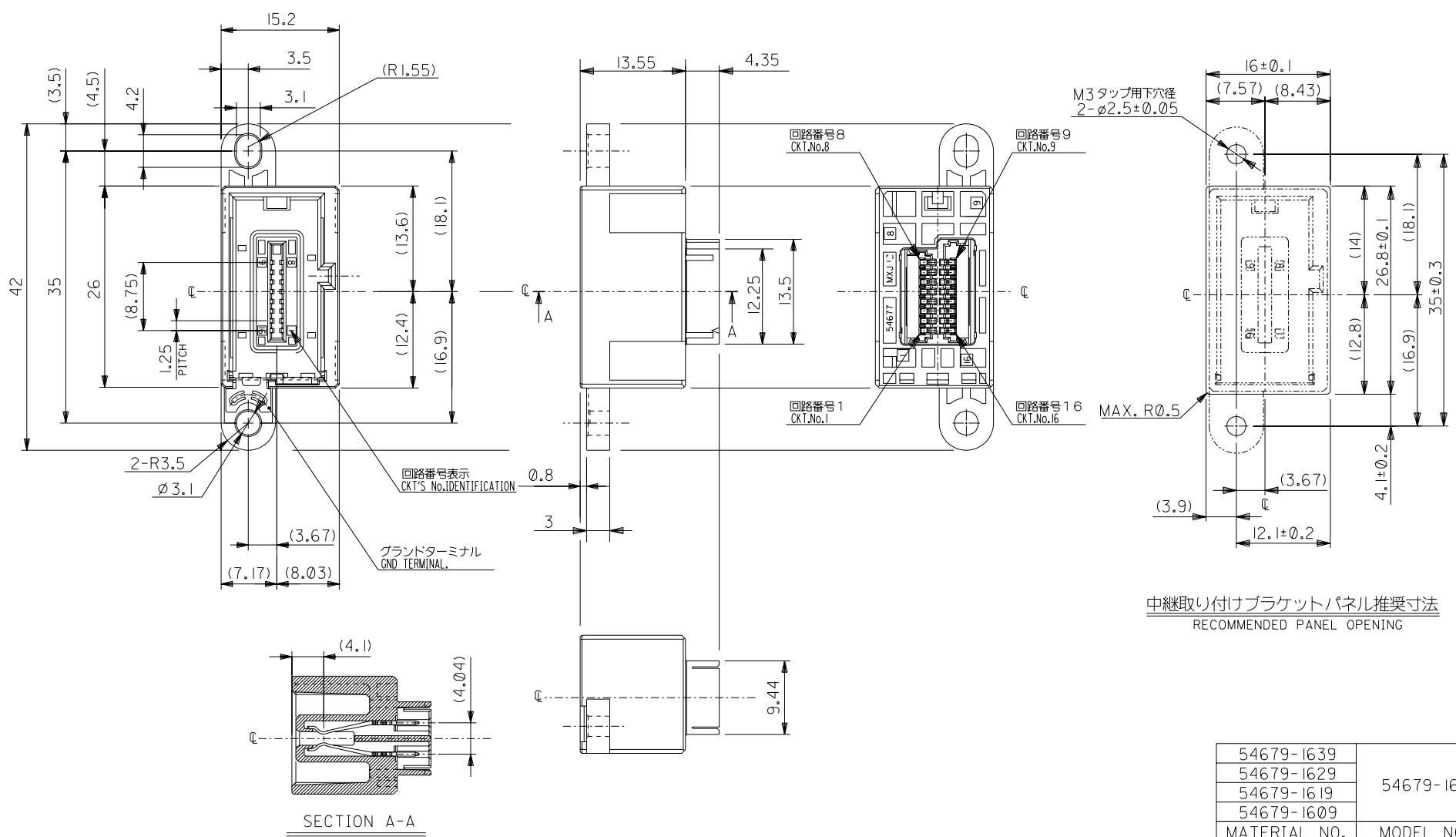
Please visit the [Contact Us](#) section for any non-product compliance questions.

Search Parts in this Series

[54679Series](#)

Use With

[54596 Series](#)



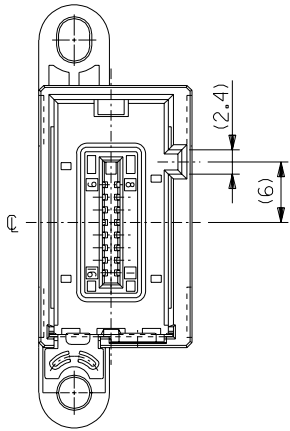
中継取り付けブラケットパネル推奨寸法
RECOMMENDED PANEL OPENING

54679-1639	54679-16*9
54679-1629	
54679-1619	
54679-1609	
MATERIAL NO.	MODEL NO.

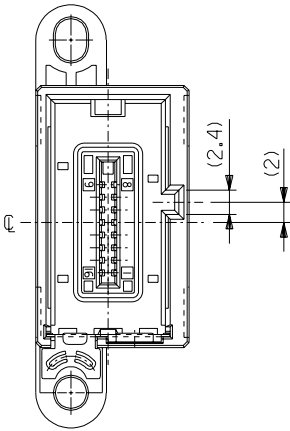
DO NOT SCALE DRAWING

EC NO. DRWN: CHK: APPR:	EC NO. DRWN: CHK: APPR:	EC NO. DRWN: CHK: APPR:	EC NO. DRWN: CHK: APPR:	EC NO. DRWN: CHK: APPR:	RELEASED EC NO. J2004-3693 DRWN: H.KAWABATA 04/04/08 CHK: K.TOJO 04/04/08 APPR: M.SASAO 04/04/08	DESCRIPTION	MATERIAL 材料	GENERAL TOLERANCES: (UNLESS SPECIFIED) 一般公差	SCALE 2:1	DESIGN UNITS <input checked="" type="checkbox"/> mm <input type="checkbox"/> INCH	THIRD ANGLE PROJECTION	DIMENSIONS: <input type="checkbox"/> mm <input type="checkbox"/> INCH <input checked="" type="checkbox"/> mm ONLY	SHT REV
					SEE NOTES	SEE NOTES		10 UNDER 未満 ±0.2	DRAWN BY & DATE H.KAWABATA 04/04/08	TITLE: SMALL MGC PANEL MOUNT REC.HS'G ASS'Y -LEAD FREE-			
								10 OVER 30 UNDER 未満 ±0.25	CHECKED BY & DATE K.TOJO 04/04/08	MATERIAL NO. DRAWING NO. SHEET NO. SEE CHART SD-54679-004 1 OF 2			
								30 OVER 以上 ±0.3	APPROVED BY & DATE M.SASAO 04/04/08	MATERIAL NO. DRAWING NO. SHEET NO. SEE CHART SD-54679-004 1 OF 2			
								ANGLE 角度 ±3°	CAD FILENAME SD-54679-004.S01	THIS DRAWING CONTAINS INFORMATION THAT IS PROPRIETARY TO MOLEX INCORPORATED AND SHOULD NOT BE USED WITHOUT WRITTEN PERMISSION.			
										MATERIAL NO. DRAWING NO. SHEET NO. SEE CHART SD-54679-004 1 OF 2			SIZE B

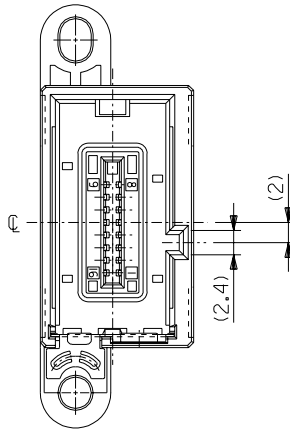
54679-1609



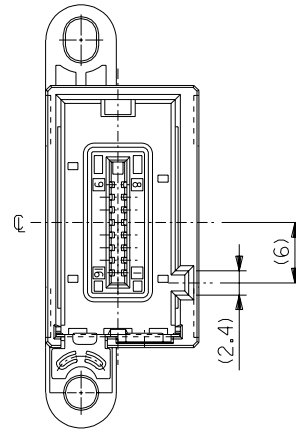
54679-1619



54679-1629



54679-1639



NOTE :

1. 適合リセプタクル (Mini Mil CONNECTOR)
APPLICABLE RECEPTACLE

圧接ハウジングアッセンブリ : 54596シリーズ
: 54596シリーズ
IDT RECEPTACLE HOUSING ASS'Y : 54596 SERIES
: 54596 SERIES

2. 材質
MATERIAL

ハウジング : ガラス入りPBT, UL94V-0 灰色
HOUSING: PBT, G.F. UL94V-0 GRAY
ターミナル : 燐青銅
TERMINAL: PHOSPHOR BRONZE
グラウンドターミナル : 燐青銅
GROUND TERMINAL: PHOSPHOR BRONZE

3. メッキ仕様
PLATING

ターミナル
TERMINAL
金メッキ
GOLD : 0.1µm MIN. (接点部)
: 0.1 MICROMETER MINIMUM. (CONTACT AREA)
錫メッキ
TIN : 1.0µm MIN. (リセプタクル嵌合部)
: 1.0 MICROMETER MINIMUM. (RECEPTACLE CONNECTED AREA)
半光沢ニッケルメッキ
NICKEL : 2.0µm MIN. (下地メッキ)
: 2.0 MICROMETER MINIMUM. (UNDER PLATING)
グラウンドターミナル
GROUND TERMINAL
錫メッキ
TIN : 0.9µm MIN. (リフローメッキ)
: 0.9 MICROMETER MINIMUM. (REFLOW TREATMENT)

EC NO. DRWN: CHK: APPR:	EC NO. DRWN: CHK: APPR:	EC NO. DRWN: CHK: APPR:	EC NO. DRWN: CHK: APPR:	EC NO. DRWN: CHK: APPR:	EC NO. DRWN: CHK: APPR:
				0	

DESCRIPTION	MATERIAL 材料
	— # —
FINISH 仕上げ	— # —
WIRE RANGE 適用電線範囲	— # —
INS. RANGE 被覆外径	— # —

GENERAL TOLERANCES: (UNLESS SPECIFIED) 一般公差	
10 UNDER 未満	±0.2
10 OVER 30 UNDER 以上 未満	±0.25
30 OVER 以上	±0.3
ANGLE 角度	±3°

MODEL NO.	54679-16*9	DIMENSIONS:	SHT	REV
SCALE	2:1	THIRD ANGLE PROJECTION		
DESIGN UNITS	<input checked="" type="checkbox"/> mm <input type="checkbox"/> INCH	<input type="checkbox"/> mm <input type="checkbox"/> INCH		
DRAWN BY & DATE	H.KAWABATA '04/04/08	TITLE:		
CHECKED BY & DATE	K.TOJO '04/04/08	SMALL MGC PANEL MOUNT REC.HS'G ASS'Y		
APPROVED BY & DATE	M.SASAO '04/04/08	-LEAD FREE-		
CAD FILENAME	SD-54679-004.S02	MATERIAL NO.	DRAWING NO.	SHEET NO.
		SEE CHART	SD-54679-004	2 OF 2
THIS DRAWING CONTAINS INFORMATION THAT IS PROPRIETARY TO MOLEX INCORPORATED AND SHOULD NOT BE USED WITHOUT WRITTEN PERMISSION.				SIZE
				B