

**PLEASE CHECK WWW.MOLEX.COM FOR LATEST PART INFORMATION**

**Part Number:** [0050361673](#)  
**Status:** **Active**  
**Overview:** [minifit\\_jr](#)  
**Description:** 4.20mm (.165") Pitch Mini-Fit Jr.™ Receptacle Housing, Dual Row, PA Polyamide Nylon 6/6, UL 94V-0, 2 Circuits, Glow Wire Compatible

**Documents:**

[3D Model](#) [Product Specification PS-5556-001 \(PDF\)](#)  
[Drawing \(PDF\)](#) [RoHS Certificate of Compliance \(PDF\)](#)

**Agency Certification**

CSA LR19980  
TUV R72081037  
UL E29179

**General**

Product Family Crimp Housings  
Series [5557](#)  
Comments Current = 13A max. per circuit when header is mated to a receptacle loaded with [45750](#) series terminals crimped to 16 AWG wire. . See Molex product specification PS-45750-001 for additional current de-rating information.. See Molex product specification PS-5556-001 for additional current de-rating information.  
Overview [minifit\\_jr](#)  
Product Name Mini-Fit Jr.™

**Physical**

Breakaway No  
Circuits (maximum) 2  
Color - Resin Black  
Flammability 94V-0  
Gender Receptacle  
Glow-Wire Compliant Yes  
Keying to Mating Part None  
Lock to Mating Part Yes  
Material - Resin Nylon  
Number of Rows 2  
Packaging Type Bag  
Panel Mount No  
Pitch - Mating Interface (in) 0.165 In  
Pitch - Mating Interface (mm) 4.20 mm  
Pitch - Term. Interface (in) 0.165 In  
Pitch - Term. Interface (mm) 4.20 mm  
Polarized to Mating Part Yes  
Ports 1  
Stackable No  
Temperature Range - Operating -40°C to +105°C

**Electrical**

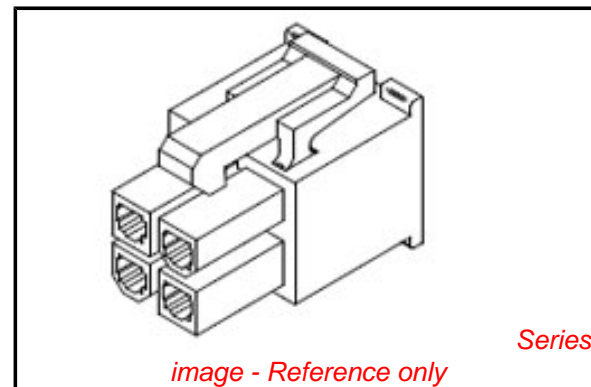
Current - Maximum per Contact 13A

**Material Info**

Old Part Number 5557-02R-225

**Reference - Drawing Numbers**

Packaging Specification PK-5557-002, PK-5557-003



**EU RoHS**

**ELV and RoHS Compliant**  
**REACH SVHC Contains SVHC: No**  
**Halogen-Free Status**

**China RoHS**



**Need more information on product environmental compliance?**

Email [productcompliance@molex.com](mailto:productcompliance@molex.com)  
For a multiple part number RoHS Certificate of Compliance, [click here](#)

Please visit the [Contact Us](#) section for any non-product compliance questions.

**Search Parts in this Series**

[5557Series](#)

**Mates With**

[5559](#) Crimp Housings Plug,

**Use With**

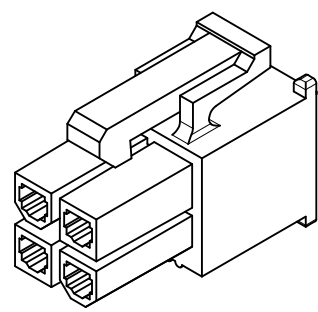
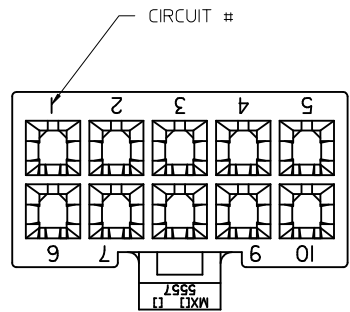
[5556](#) Female Terminal

Product Specification  
Sales Drawing  
Test Summary

PS-5556-001  
SD-5557-003  
TS-5556-002

This document was generated on 05/19/2010

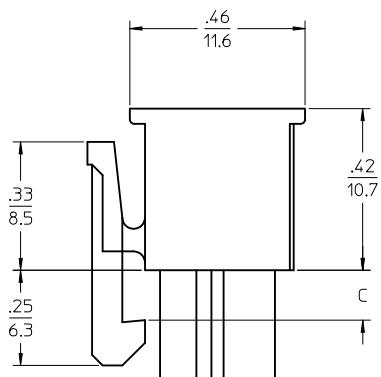
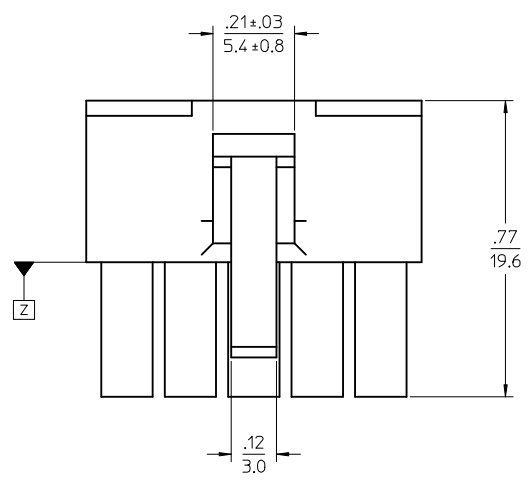
**PLEASE CHECK [WWW.MOLEX.COM](http://WWW.MOLEX.COM) FOR LATEST PART INFORMATION**



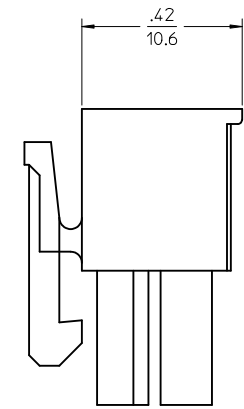
4 CKT SHOWN

- NOTES:
- MATERIAL:
    - \*BLANK\* = NYLON 6/6, 94V-2, COLOR: NATURAL.
    - \*BL\* = NYLON 6/6, 94V-2, COLOR: BLACK.
    - \*RE\* = NYLON 6/6, 94V-2, COLOR: RED.
    - \*YE\* = NYLON 6/6, 94V-2, COLOR: YELLOW
    - \*210\* = NYLON 6/6, 94V-0, COLOR: NATURAL.
    - \*225\* = NYLON (PA6), UL94V-0, COLOR: BLACK, IEC 60335-1, 4th EDITION GLOW WIRE CAPABLE.
    - \*225N\* = NYLON (PA6), UL94V-0, COLOR: WHITE, IEC 60335-1, 4th EDITION GLOW WIRE CAPABLE.
    - \*400\* = NYLON 6/6, 94V-0, COLOR: BLACK.
  - FINISH: NOT APPLICABLE
  - PRODUCT SPECIFICATION: PS-5556-001
  - PACKAGING: BULK
  - PART MATES WITH MOLEX PLUG #5559 AND HEADERS #5566, #5569.
  - PART TO BE USED WITH MOLEX FEMALE TERMINAL #5556.
  - PART IS NOT DESIGNED FOR CURRENT SHARING.
  - CONNECTORS ARE NOT TO BE MATED OR UNMATED WHILE CIRCUITS ARE LIVE.
  - WIRES ARE TO BE DRESSED IN SUCH A MANNER TO ALLOW THE TERMINALS TO FLOAT FREELY IN THE POCKET.
  - PART CONFORMS TO CLASS "B" REQUIREMENTS OF COSMETIC SPECIFICATION PS-45499-002 WITH THE EXCEPTION OF DISCOLORATION, FLASH AND SINK MEET CLASS "C" REQUIREMENTS.

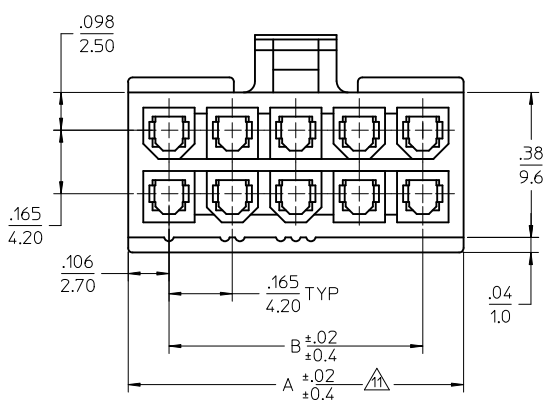
▲ TO BE MEASURED AT SURFACE Z



4-24 CKT



2 CKT ONLY



2.031/(51.6)	1.819/(46.2)		24
1.866/(47.4)	1.654/(42.0)		22
1.701/(43.2)	1.488/(37.8)	.142	20
1.535/(39.0)	1.323/(33.6)	(3,6)	18
1.370/(34.8)	1.157/(29.4)		16
1.205/(30.6)	0.992/(25.2)		14
1.039/(26.4)	0.827/(21.0)		12
0.874/(22.2)	0.661/(16.8)		10
0.709/(18.0)	0.496/(12.6)	.129	8
0.543/(13.8)	0.331/(8.4)	(3,3)	6
0.378/(9.6)	0.165/(4.2)		4
0.213/(5.4)	—		2
A	B	C	NO. OF CKTS.

MODIFIED ISO VIEW IEC NO: UCP2010-2566 DRWN: JAGUILAR 2010/04/05 CHKD: JEBEL '97/01/08 APPR: FSMITH 2010/04/14 REV: J4	QUALITY SYMBOLS ▽=0 ▽=0	GENERAL TOLERANCES (UNLESS SPECIFIED) <table border="1"> <tr> <th></th> <th>mm</th> <th>INCH</th> </tr> <tr> <td>4 PLACES</td> <td>± .01</td> <td>± .0005</td> </tr> <tr> <td>3 PLACES</td> <td>± .02</td> <td>± .0010</td> </tr> <tr> <td>2 PLACES</td> <td>± .03</td> <td>± .0015</td> </tr> <tr> <td>1 PLACE</td> <td>± .04</td> <td>± .0020</td> </tr> </table> ANGULAR ± 3 °		mm	INCH	4 PLACES	± .01	± .0005	3 PLACES	± .02	± .0010	2 PLACES	± .03	± .0015	1 PLACE	± .04	± .0020	DIMENSION STYLE IN/MM DRAWN BY: S. MOCHIZUKI DATE: '90/02/22 CHECKED BY: M. FUKUSHIMA DATE: '97/01/08 APPROVED BY: M. FUKUSHIMA DATE: '97/01/08 MATERIAL NO. SEE SHEET 2 DRAFT WHERE APPLICABLE MUST REMAIN WITHIN DIMENSIONS	SCALE 4:1 DESIGN UNITS METRIC THIRD ANGLE PROJECTION	NEW MINI FIT CONN REC. HOUSING MOLEX INCORPORATED SD-5557-003 SHEET NO. 1 OF 2
		mm	INCH																	
	4 PLACES	± .01	± .0005																	
	3 PLACES	± .02	± .0010																	
2 PLACES	± .03	± .0015																		
1 PLACE	± .04	± .0020																		
THIS DRAWING CONTAINS INFORMATION THAT IS PROPRIETARY TO MOLEX INCORPORATED AND SHOULD NOT BE USED WITHOUT WRITTEN PERMISSION																				
MOLEX INCORPORATED																				
DOCUMENT NO. SD-5557-003																				



CIRCUIT SIZE LAYOUT  
(NOT TO SCALE)

LEGEND



V-0 GLOW WIRE (BLACK)			V-0 GLOW WIRE (WHITE)		
EDP. NO.	ENG. NO.	NO. OF CKTS.	EDP. NO.	ENG. NO.	NO. OF CKTS.
	50-36-1667	5557-24R-225	24	-	-
	26-01-3167	5557-22R-225	22	-	-
*	26-01-3166	5557-20R-225	20	-	-
	50-36-1668	5557-18R-225	18	-	-
	50-36-1669	5557-16R-225	16	-	-
	50-36-2293	5557-14R-225	14	-	-
	50-36-1674	5557-12R-225	12	-	-
	50-36-1671	5557-10R-225	10	-	-
	50-36-1713	5557-08R-225	8	-	-
	50-36-1672	5557-06R-225	6	-	-
	50-30-4461	5557-04R-225	4	50-36-2301	5557-04R-225N
	50-36-1673	5557-02R-225	2	-	-

V-0 (BLACK)			V-0 (NATURAL)		
EDP. NO.	ENG. NO.	NO. OF CKTS.	EDP. NO.	ENG. NO.	NO. OF CKTS.
*	39-03-9242	5557-24R-400	24	39-01-2245	5557-24R-210
*	39-03-9222	5557-22R-400	22	39-01-2225	5557-22R-210
*	39-03-9202	5557-20R-400	20	39-01-2205	5557-20R-210
*	39-03-9182	5557-18R-400	18	39-01-2185	5557-18R-210
*	39-03-9162	5557-16R-400	16	39-01-2165	5557-16R-210
*	39-03-9142	5557-14R-400	14	39-01-2145	5557-14R-210
*	39-03-9122	5557-12R-400	12	39-01-2125	5557-12R-210
*	39-03-9102	5557-10R-400	10	39-01-2105	5557-10R-210
*	39-03-9082	5557-08R-400	8	39-01-2085	5557-08R-210
*	39-03-9062	5557-06R-400	6	39-01-2065	5557-06R-210
	39-03-9042	5557-04R-400	4	39-01-2045	5557-04R-210
	39-03-9022	5557-02R-400	2	39-01-2025	5557-02R-210

\* = CONSULT FACTORY FOR AVAILABILITY.

V-2 (YELLOW)			V-2 (RED)			V-2 (BLACK)			V-2 (NATURAL)			
EDP. NO.	ENG. NO.	NO. OF CKTS.	EDP. NO.	ENG. NO.	NO. OF CKTS.	EDP. NO.	ENG. NO.	NO. OF CKTS.	EDP. NO.	ENG. NO.	NO. OF CKTS.	
		24	-	-	24	*	39-01-3245	5557-24R-BL	24	39-01-2240	5557-24R	
		22	-	-	22		39-01-3225	5557-22R-BL	22	39-01-2220	5557-22R	
		20	-	-	20	*	39-01-3205	5557-20R-BL	20	39-01-2200	5557-20R	
		18	-	-	18	*	39-01-3185	5557-18R-BL	18	39-01-2180	5557-18R	
		16	-	-	16	*	39-01-3165	5557-16R-BL	16	39-01-2160	5557-16R	
		14	-	-	14		39-01-3145	5557-14R-BL	14	39-01-2140	5557-14R	
		12	-	-	12		39-01-3125	5557-12R-BL	12	39-01-2120	5557-12R	
		10	-	-	10		39-01-3105	5557-10R-BL	10	39-01-2100	5557-10R	
		8	-	-	8		39-01-3085	5557-08R-BL	8	39-01-2080	5557-08R	
*	39-02-8061	5557-06R-YE	6	-	6		39-01-3065	5557-06R-BL	6	39-01-2060	5557-06R	
*	39-02-8041	5557-04R-YE	4	*	39-02-8040	5557-04R-RE	4	39-01-3045	5557-04R-BL	4	39-01-2040	5557-04R
*	39-02-8021	5557-02R-YE	2	-	2		39-01-3025	5557-02R-BL	2	39-01-2020	5557-02R	

MODIFIED CHARTS  
EC NO: UCP2010-2566  
DRAWN: JAGUILAR 2010/04/05  
CHKD: J.BELL '97/01/08  
APPR: F.S.MITH 2010/04/14

DESCRIPTION

REV J4

QUALITY SYMBOLS

▽=0  
▽=0

GENERAL TOLERANCES (UNLESS SPECIFIED)

	mm	INCH
4 PLACES	± 0.2	± ---
3 PLACES	± 0.3	± ---
2 PLACES	± 0.4	± ---
1 PLACE	± ---	± ---

ANGULAR ± 3 °

DRAFT WHERE APPLICABLE MUST REMAIN WITHIN DIMENSIONS

DIMENSION STYLE  
MM ONLY

DRAWN BY DATE  
S. MOCHIZUKI '90/02/22

CHECKED BY DATE  
M. FUKUSHIMA '97/01/08

APPROVED BY DATE  
M. FUKUSHIMA '97/01/08

MATERIAL NO.  
SEE CHART

SCALE 1:1

DESIGN UNITS METRIC

THIRD ANGLE PROJECTION

NEW MINI FIT CONN REC. HOUSING

MOLEX MOLEX INCORPORATED

DOCUMENT NO. SD-5557-003

SHEET NO. 2 OF 2

THIS DRAWING CONTAINS INFORMATION THAT IS PROPRIETARY TO MOLEX INCORPORATED AND SHOULD NOT BE USED WITHOUT WRITTEN PERMISSION