



SILICON RECTIFIER

VOLTAGE 400 Volts CURRENT 6.0 Amperes

FEATURES

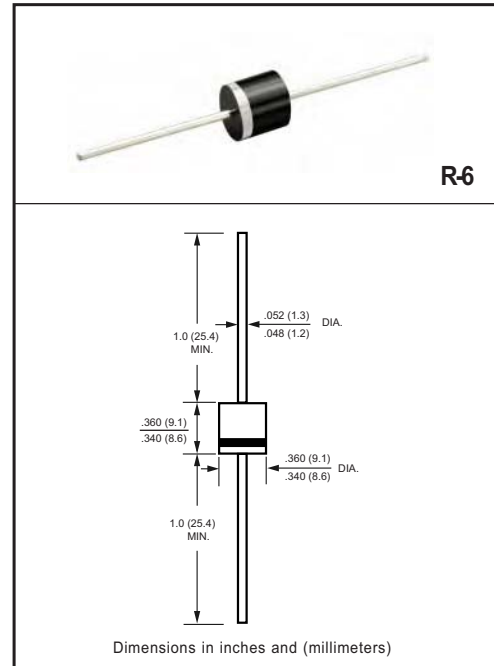
- * High surge current capability
- * Low leakage
- * Low forward voltage drop
- * High current capability
- * Low lost

MECHANICAL DATA

- * Case: Molded plastic black body
- * Epoxy: Device has UL flammability classification 94V-0
- * Lead: MIL-STD-202E method 208C guaranteed
- * Mounting position: Any
- * Weight: 2.08 grams

MAXIMUM RATINGS AND ELECTRICAL CHARACTERISTICS

Ratings at 25 °C ambient temperature unless otherwise specified.
Single phase, half wave, 60 Hz, resistive or inductive load.
For capacitive load, derate current by 20%.



MAXIMUM RATINGS (@ TA=25 °C unless otherwise noted)

RATINGS	SYMBOL	6A4-B-D-A01	UNITS
Maximum Recurrent Peak Reverse Voltage	V_{RRM}	400	Volts
Maximum RMS Voltage	V_{RMS}	280	Volts
Maximum DC Blocking Voltage	V_{DC}	400	Volts
Maximum Average Forward Rectified Current at $T_A = 50^{\circ}C$	I_O	6.0	Amps
Peak Forward Surge Current IFM(surge): 8.3 ms single half sine-wave superimposed on rated load (JEDEC method)	I_{FSM}	400	Amps
Maximum Delta Reverse Voltage @ $I_{R1}=10uA, I_{R2}=100uA$	ΔV_R	50	V
Typical Reverse Energy @L=15mH	E_R	70	mJ
Typical Thermal Resistance (Note 3)	$R_{\theta JA}$	10	$^{\circ}C/W$
Typical Junction Capacitance (Note 1)	C_J	150	pF
Operating and Storage Temperature Range	T_J, T_{STG}	-55 to + 150	$^{\circ}C$

ELECTRICAL CHARACTERISTICS (@TA=25 °C unless otherwise noted)

CHARACTERISTICS	SYMBOL	6A4-B-D-A01	UNITS
Maximum Forward Voltage at 6.0A DC	V_F	1.1	Volts
Maximum DC Average Reverse Current at Rated DC Blocking Voltage	I_R	@ $T_A = 25^{\circ}C$	10
		@ $T_A = 100^{\circ}C$	100
Maximum Full Load Reverse Current Average Full Cycle .375" (9.5mm) Lead Length at $T_L=75^{\circ}C$		50	uAmps

- NOTES : 1. Measured at 1.0 MHz and applied average voltage of 4.0VDC
 2. "Fully ROHS compliant", "100% Sn plating (Pb-free)".
 3. Thermal Resistance: At 9.5mm lead lengths,PCB mounted.
 4. Test SPEC : $I_R \leq 1uA @ V_R=480V$.

RATING AND CHARACTERISTICS CURVES (6A4-B-D-A01)

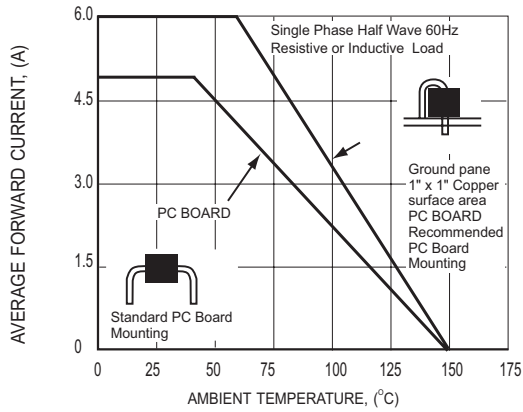


FIG.1 TYPICAL FORWARD CURRENT DERATING CURVE

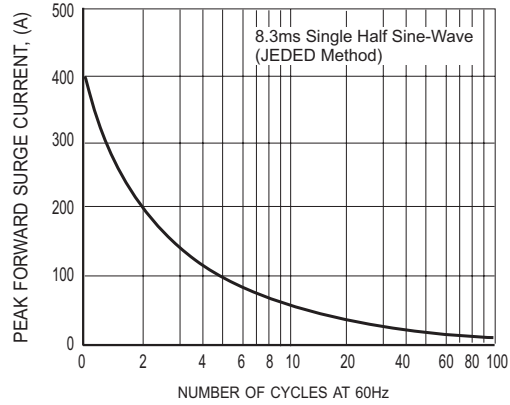


FIG.2 MAXIMUM NON-REPETITIVE FORWARD SURGE CURRENT

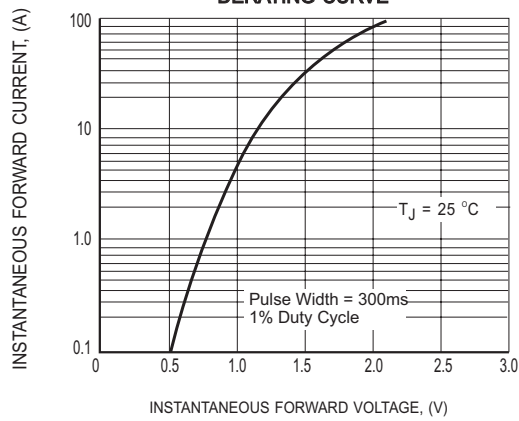


FIG.3 TYPICAL INSTANTANEOUS FORWARD CHARACTERISTICS

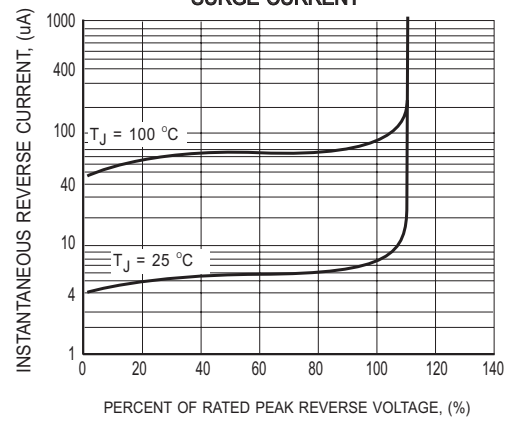


FIG.4 TYPICAL REVERSE CHARACTERISTICS

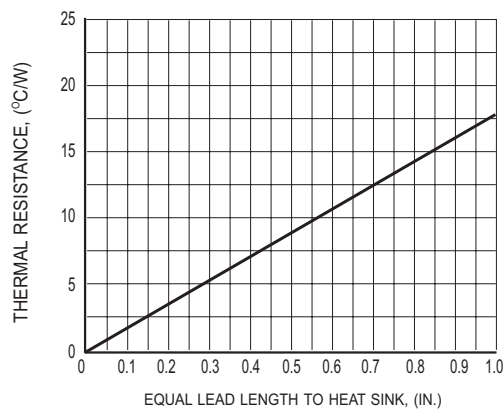
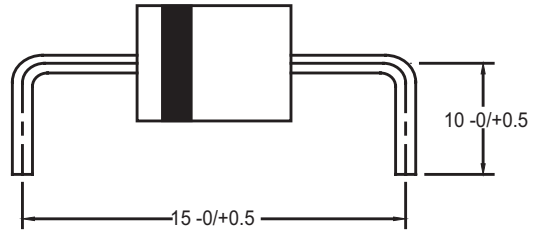


FIG.5 TYPICAL THERMAL RESISTANCE vs. LEAD LENGTH

LEAD FORMING SPECIFICATIONS

6A4-B-D-A01

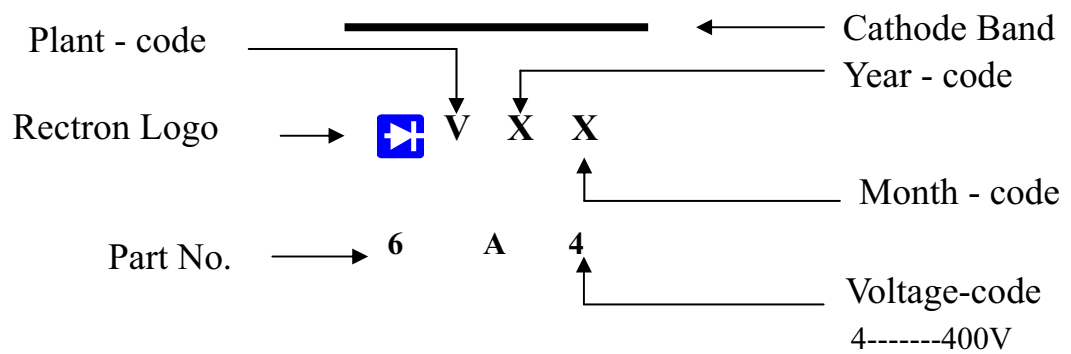
Unit: mm





Attachment information about 6A4

Marking on the body

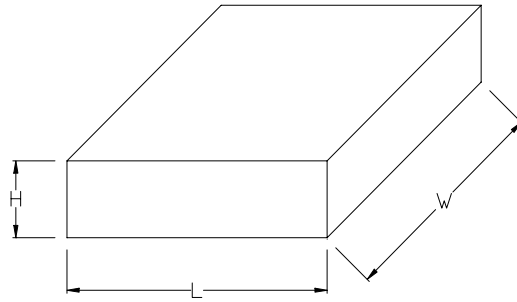


PACKAGING OF DIODE AND BRIDGE RECTIFIERS

BULK PACK

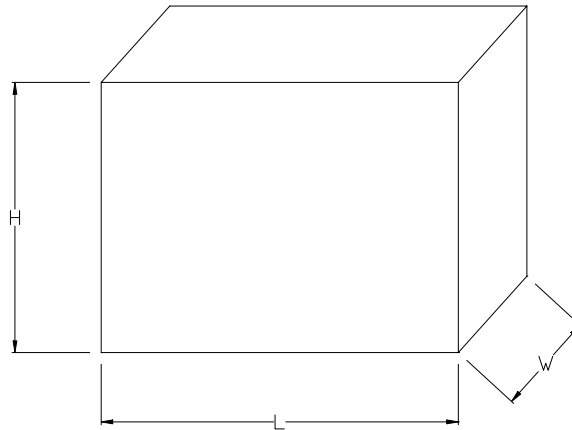
PACKAGE	PACKING CODE	EA PER BOX	INNER BOX SIZE (mm)	CARTON SIZE (mm)	EA PER CARTON	GROSS WEIGHT(Kg)
R-6	-B	200	300*73*40	347*320*271	4,800	12.93

1. BOX



Packing Code	L (mm)	W (mm)	H (mm)
-B	300	73	40
-F	255	73	100

2. CARTON



Packing Code	L (mm)	W (mm)	H (mm)
-B	347	320	271
-T	355	360	350
-F	402	270	225

DISCLAIMER NOTICE

Rectron Inc reserves the right to make changes without notice to any product specification herein, to make corrections, modifications, enhancements or other changes. Rectron Inc or anyone on its behalf assumes no responsibility or liability for any errors or inaccuracies. Data sheet specifications and its information contained are intended to provide a product description only. "Typical" parameters which may be included on RECTRON data sheets and/ or specifications can and do vary in different applications and actual performance may vary over time. Rectron Inc does not assume any liability arising out of the application or use of any product or circuit.

Rectron products are not designed, intended or authorized for use in medical, life-saving implant or other applications intended for life-sustaining or other related applications where a failure or malfunction of component or circuitry may directly or indirectly cause injury or threaten a life without expressed written approval of Rectron Inc. Customers using or selling Rectron components for use in such applications do so at their own risk and shall agree to fully indemnify Rectron Inc and its subsidiaries harmless against all claims, damages and expenditures.