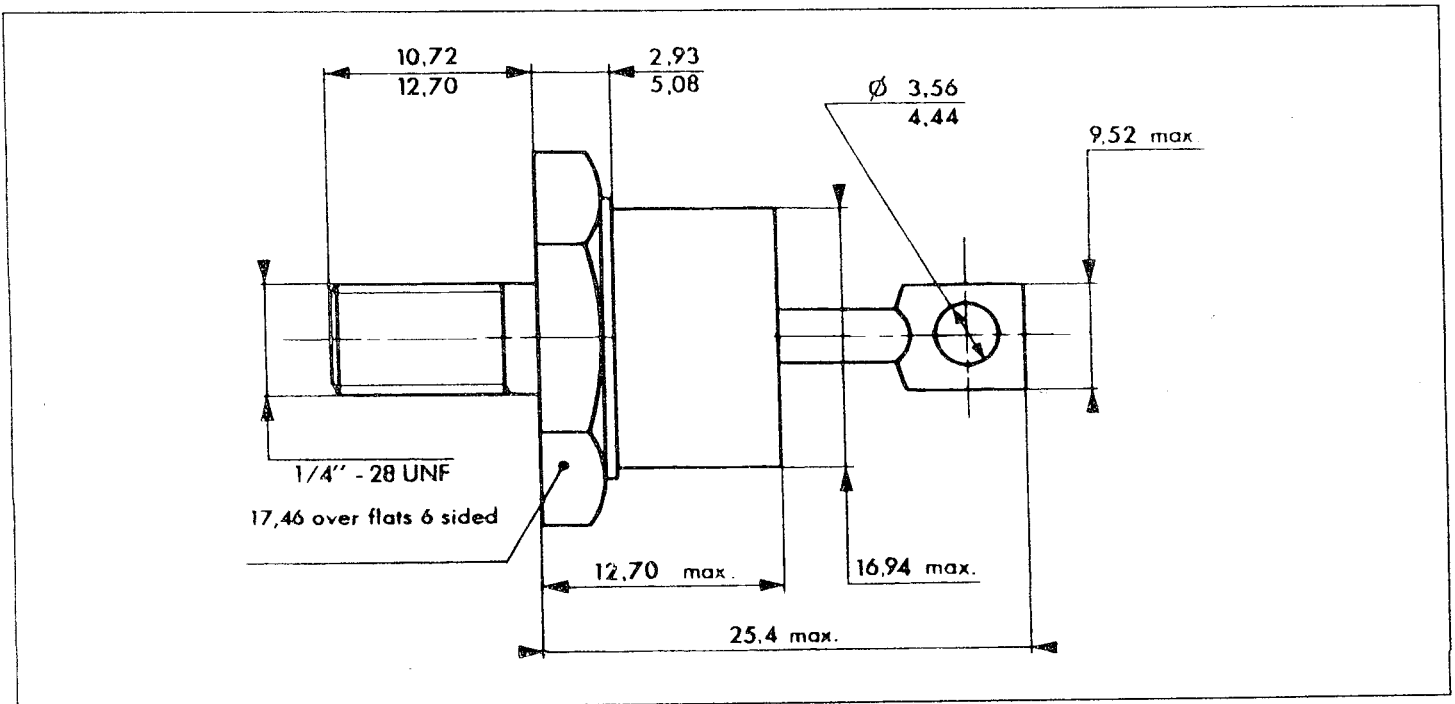




# PACKAGE MECHANICAL DATA

DO 5 Metal



Marking : Cathode connected to case : type number  
Anode connected to case : type number + suffix R