

Dual PWM Step-Up DC/DCs in TQFN33

FEATURES

- Multiple Patents Pending
- Two Integrated Regulators
 - REG1: PWM Step-Up DC/DC with OVP for WLED Bias
 - REG2: PWM Step-Up DC/DC Converter with OVP
- Independent Enable/Disable Control
- Minimal External Components
- 3x3mm, Thin-QFN (TQFN33-16) Package
 - Only 0.75mm Height
 - RoHS Compliant

APPLICATIONS

- Portable Devices and PDAs
- MP3/MP4 Players
- Wireless Handhelds
- GPS Receivers

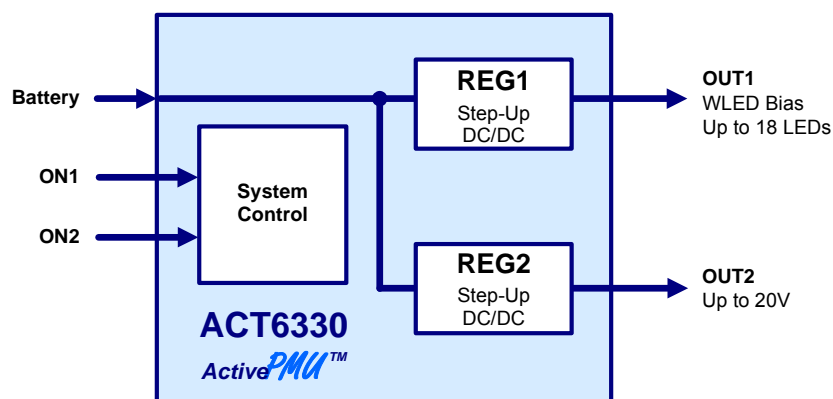
GENERAL DESCRIPTION

The patent-pending ACT6330 integrates two step-up DC/DCs into a single, thin, space-saving package to provide a cost-effective, highly-efficient *ActivePMU*[™] power management solution. This device is ideal for a wide range of portable handheld equipment that can benefit from the advantages of *ActivePMU* technology but does not require a high level of integration.

REG1 and REG2 are fixed-frequency, current-mode PWM step-up DC/DC converters. REG1 is optimized for high-efficiency WLED bias applications. REG2 is optimized for voltage regulation applications, while together these outputs can provide a complete TFT bias and backlighting solution for portable handheld equipment.

The ACT6330 is available in a tiny 3mm x 3mm 16-pin Thin-QFN package that is just 0.75mm thin.

SYSTEM BLOCK DIAGRAM



ORDERING INFORMATION

PART NUMBER	PACKAGE	PINS	TEMPERATURE RANGE
ACT6330QK-T	TQFN33-16	16	-40°C to +85°C

FUNCTIONAL BLOCK DIAGRAM

