

## Features

- Incorporates the ARM7TDMI® ARM® Thumb® Processor
  - High-performance 32-bit RISC Architecture
  - High-density 16-bit Instruction Set
  - Leader in MIPS/Watt
  - EmbeddedICE™ In-circuit Emulation, Debug Communication Channel Support
- Internal High-speed Flash
  - 256 Kbytes (AT91SAM7X256) Organized in 1024 Pages of 256 Bytes
  - 128 Kbytes (AT91SAM7X128) Organized in 512 Pages of 256 Bytes
    - Single Cycle Access at Up to 30 MHz in Worst Case Conditions
    - Prefetch Buffer Optimizing Thumb Instruction Execution at Maximum Speed
    - Page Programming Time: 6 ms, Including Page Auto-erase, Full Erase Time: 15 ms
    - 10,000 Write Cycles, 10-year Data Retention Capability, Sector Lock Capabilities, Flash Security Bit
    - Fast Flash Programming Interface for High Volume Production
- Internal High-speed SRAM, Single-cycle Access at Maximum Speed
  - 64 Kbytes (AT91SAM7X256)
  - 32 Kbytes (AT91SAM7X128)
- Memory Controller (MC)
  - Embedded Flash Controller, Abort Status and Misalignment Detection
- Reset Controller (RSTC)
  - Based on Power-on Reset Cells and Low-power Factory-calibrated Brownout Detector
  - Provides External Reset Signal Shaping and Reset Source Status
- Clock Generator (CKGR)
  - Low-power RC Oscillator, 3 to 20 MHz On-chip Oscillator and one PLL
- Power Management Controller (PMC)
  - Power Optimization Capabilities, Including Slow Clock Mode (Down to 500 Hz) and Idle Mode
  - Four Programmable External Clock Signals
- Advanced Interrupt Controller (AIC)
  - Individually Maskable, Eight-level Priority, Vectored Interrupt Sources
  - Two External Interrupt Sources and One Fast Interrupt Source, Spurious Interrupt Protected
- Debug Unit (DBGU)
  - 2-wire UART and Support for Debug Communication Channel interrupt, Programmable ICE Access Prevention
- Periodic Interval Timer (PIT)
  - 20-bit Programmable Counter plus 12-bit Interval Counter
- Windowed Watchdog (WDT)
  - 12-bit key-protected Programmable Counter
  - Provides Reset or Interrupt Signals to the System
  - Counter May Be Stopped While the Processor is in Debug State or in Idle Mode
- Real-time Timer (RTT)
  - 32-bit Free-running Counter with Alarm
  - Runs Off the Internal RC Oscillator
- Two Parallel Input/Output Controllers (PIO)
  - Sixty-two Programmable I/O Lines Multiplexed with up to Two Peripheral I/Os
  - Input Change Interrupt Capability on Each I/O Line
  - Individually Programmable Open-drain, Pull-up Resistor and Synchronous Output



## AT91 ARM® Thumb®-based Microcontrollers

AT91SAM7X256/  
AT91SAM7X128

Preliminary

6120D-ATARM-02-Feb-06





- Thirteen Peripheral DMA Controller (PDC) Channels
- One USB 2.0 Full Speed (12 Mbits per second) Device Port
  - On-chip Transceiver, 1352-byte Configurable Integrated FIFOs
- One Ethernet MAC 10/100 base-T
  - Media Independent Interface (MII) or Reduced Media Independent Interface (RMII)
  - Integrated 28-byte FIFOs and Dedicated DMA Channels for Transmit and Receive
- One Part 2.0A and Part 2.0B Compliant CAN Controller
  - Eight Fully-programmable Message Object Mailboxes, 16-bit Time Stamp Counter
- One Synchronous Serial Controller (SSC)
  - Independent Clock and Frame Sync Signals for Each Receiver and Transmitter
  - I<sup>2</sup>S Analog Interface Support, Time Division Multiplex Support
  - High-speed Continuous Data Stream Capabilities with 32-bit Data Transfer
- Two Universal Synchronous/Asynchronous Receiver Transmitters (USART)
  - Individual Baud Rate Generator, IrDA Infrared Modulation/Demodulation
  - Support for ISO7816 T0/T1 Smart Card, Hardware Handshaking, RS485 Support
  - Full Modem Line Support on USART1
- Two Master/Slave Serial Peripheral Interfaces (SPI)
  - 8- to 16-bit Programmable Data Length, Four External Peripheral Chip Selects
- One Three-channel 16-bit Timer/Counter (TC)
  - Three External Clock Inputs, Two Multi-purpose I/O Pins per Channel
  - Double PWM Generation, Capture/Waveform Mode, Up/Down Capability
- One Four-channel 16-bit Power Width Modulation Controller (PWMC)
- One Two-wire Interface (TWI)
  - Master Mode Support Only, All Two-wire Atmel EEPROMs Supported
- One 8-channel 10-bit Analog-to-Digital Converter, Four Channels Multiplexed with Digital I/Os
- SAM-BA™ Boot Assistance
  - Default Boot program
  - Interface with SAM-BA Graphic User Interface
- IEEE® 1149.1 JTAG Boundary Scan on All Digital Pins
- 5V-tolerant I/Os, Including Four High-current Drive I/O lines, Up to 16 mA Each
- Power Supplies
  - Embedded 1.8V Regulator, Drawing up to 100 mA for the Core and External Components
  - 3.3V VDDIO I/O Lines Power Supply, Independent 3.3V VDDFLASH Flash Power Supply
  - 1.8V VDDCORE Core Power Supply with Brownout Detector
- Fully Static Operation: Up to 55 MHz at 1.65V and 85° C Worst Case Conditions
- Available in a 100-lead LQFP Green Package

## 1. Description

Atmel's AT91SAM7X256/128 is a member of a series of highly integrated Flash microcontrollers based on the 32-bit ARM RISC processor. It features 256/128 Kbyte high-speed Flash and 64/32 Kbyte SRAM, a large set of peripherals, including an 802.3 Ethernet MAC and a CAN controller. A complete set of system functions minimizes the number of external components.

The embedded Flash memory can be programmed in-system via the JTAG-ICE interface or via a parallel interface on a production programmer prior to mounting. Built-in lock bits and a security bit protect the firmware from accidental overwrite and preserve its confidentiality.

The AT91SAM7X256/128 system controller includes a reset controller capable of managing the power-on sequence of the microcontroller and the complete system. Correct device operation can be monitored by a built-in brownout detector and a watchdog running off an integrated RC oscillator.

By combining the ARM7TDMI processor with on-chip Flash and SRAM, and a wide range of peripheral functions, including USART, SPI, CAN Controller, Ethernet MAC, Timer Counter, RTT and Analog-to-Digital Converters on a monolithic chip, the AT91SAM7X256/128 is a powerful device that provides a flexible, cost-effective solution to many embedded control applications requiring communication over, for example, Ethernet, CAN wired and Zigbee™ wireless networks.

## 2. Configuration Summary of the AT91SAM7X256 and AT91SAM7X128

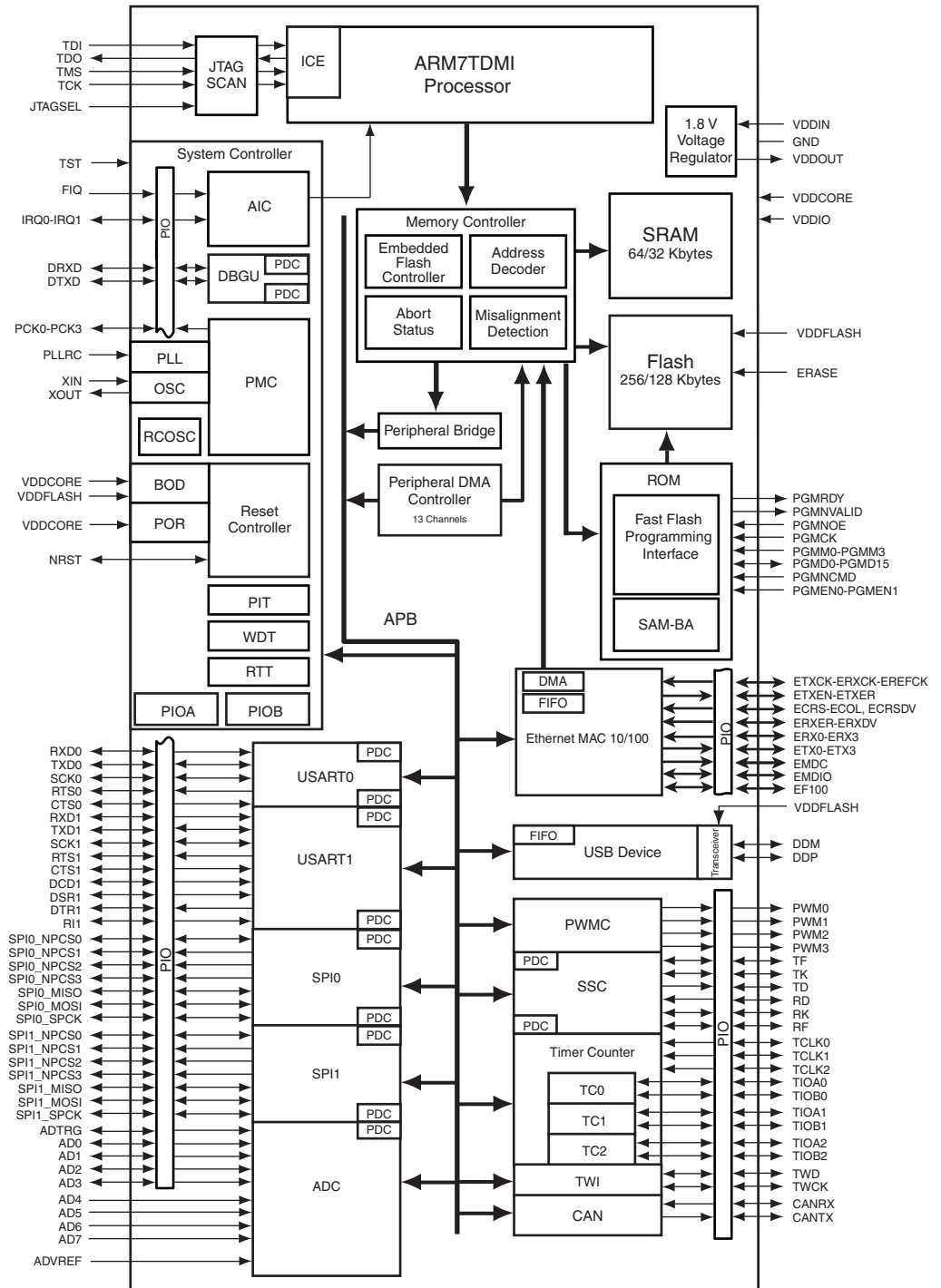
The AT91SAM7X256 and AT91SAM7X128 differ only in memory sizes. [Table 2-1](#) summarizes the configurations of the two devices.

**Table 2-1.** Configuration Summary

| Device       | Flash      | SRAM      |
|--------------|------------|-----------|
| AT91SAM7X256 | 256K bytes | 64K bytes |
| AT91SAM7X128 | 128K bytes | 32K bytes |

### 3. AT91SAM7X256/128 Block Diagram

Figure 3-1. AT91SAM7X256/128 Block Diagram



## 4. Signal Description

**Table 4-1.** Signal Description List

| Signal Name                         | Function                                       | Type   | Active Level | Comments                            |
|-------------------------------------|--|--------|--------------|-------------------------------------|
| <b>Power</b>                        |  |        |              |                                     |
| VDDIN                               | Voltage Regulator and ADC Power Supply Input   | Power  |              | 3V to 3.6V                          |
| VDDOUT                              | Voltage Regulator Output                       | Power  |              | 1.85V                               |
| VDDFLASH                            | Flash and USB Power Supply                     | Power  |              | 3V to 3.6V                          |
| VDDIO                               | I/O Lines Power Supply                         | Power  |              | 3V to 3.6V                          |
| VDDCORE                             | Core Power Supply                              | Power  |              | 1.65V to 1.95V                      |
| VDDPLL                              | PLL  | Power  |              | 1.65V to 1.95V                      |
| GND                                 | Ground   | Ground |              |                                     |
| <b>Clocks, Oscillators and PLLs</b> |  |        |              |                                     |
| XIN                                 | Main Oscillator Input                          | Input  |              |                                     |
| XOUT                                | Main Oscillator Output                         | Output |              |                                     |
| PLLRC                               | PLL Filter                                     | Input  |              |                                     |
| PCK0 - PCK3                         | Programmable Clock Output                      | Output |              |                                     |
| <b>ICE and JTAG</b>                 |  |        |              |                                     |
| TCK                                 | Test Clock                                     | Input  |              | No pull-up resistor                 |
| TDI                                 | Test Data In                                   | Input  |              | No pull-up resistor.                |
| TDO                                 | Test Data Out                                  | Output |              |                                     |
| TMS                                 | Test Mode Select                               | Input  |              | No pull-up resistor.                |
| JTAGSEL                             | JTAG Selection                                 | Input  |              | Pull-down resistor.                 |
| <b>Flash Memory</b>                 |  |        |              |                                     |
| ERASE                               | Flash and NVM Configuration Bits Erase Command | Input  | High         | Pull-down resistor                  |
| <b>Reset/Test</b>                   |  |        |              |                                     |
| NRST                                | Microcontroller Reset                          | I/O    | Low          | Pull-Up resistor, Open Drain Output |
| TST                                 | Test Mode Select                               | Input  | High         | Pull-down resistor                  |
| <b>Debug Unit</b>                   |  |        |              |                                     |
| DRXD                                | Debug Receive Data                             | Input  |              |                                     |
| DTXD                                | Debug Transmit Data                            | Output |              |                                     |
| <b>AIC</b>                          |  |        |              |                                     |
| IRQ0 - IRQ1                         | External Interrupt Inputs                      | Input  |              |                                     |
| FIQ                                 | Fast Interrupt Input                           | Input  |              |                                     |
| <b>PIO</b>                          |  |        |              |                                     |
| PA0 - PA30                          | Parallel IO Controller A                       | I/O    |              | Pulled-up input at reset            |
| PB0 - PB30                          | Parallel IO Controller B                       | I/O    |              | Pulled-up input at reset            |



**Table 4-1.** Signal Description List (Continued)

| Signal Name                               | Function                          | Type   | Active Level | Comments |
|---|-----------------------------------|--------|--------------|----------|
| <b>USB Device Port</b>                    |                                   |        |              |          |
| DDM                                       | USB Device Port Data -            | Analog |              |          |
| DDP                                       | USB Device Port Data +            | Analog |              |          |
| <b>USART</b>                              |                                   |        |              |          |
| SCK0 - SCK1                               | Serial Clock                      | I/O    |              |          |
| TXD0 - TXD1                               | Transmit Data                     | I/O    |              |          |
| RXD0 - RXD1                               | Receive Data                      | Input  |              |          |
| RTS0 - RTS1                               | Request To Send                   | Output |              |          |
| CTS0 - CTS1                               | Clear To Send                     | Input  |              |          |
| DCD1                                      | Data Carrier Detect               | Input  |              |          |
| DTR1                                      | Data Terminal Ready               | Output |              |          |
| DSR1                                      | Data Set Ready                    | Input  |              |          |
| RI1                                       | Ring Indicator                    | Input  |              |          |
| <b>Synchronous Serial Controller</b>      |                                   |        |              |          |
| TD  | Transmit Data                     | Output |              |          |
| RD  | Receive Data                      | Input  |              |          |
| TK  | Transmit Clock                    | I/O    |              |          |
| RK  | Receive Clock                     | I/O    |              |          |
| TF  | Transmit Frame Sync               | I/O    |              |          |
| RF  | Receive Frame Sync                | I/O    |              |          |
| <b>Timer/Counter</b>                      |                                   |        |              |          |
| TCLK0 - TCLK2                             | External Clock Inputs             | Input  |              |          |
| TIOA0 - TIOA2                             | I/O Line A                        | I/O    |              |          |
| TIOB0 - TIOB2                             | I/O Line B                        | I/O    |              |          |
| <b>PWM Controller</b>                     |                                   |        |              |          |
| PWM0 - PWM3                               | PWM Channels                      | Output |              |          |
| <b>Serial Peripheral Interface - SPIx</b> |                                   |        |              |          |
| SPIx_MISO                                 | Master In Slave Out               | I/O    |              |          |
| SPIx_MOSI                                 | Master Out Slave In               | I/O    |              |          |
| SPIx_SPCK                                 | SPI Serial Clock                  | I/O    |              |          |
| SPIx_NPCS0                                | SPI Peripheral Chip Select 0      | I/O    | Low          |          |
| SPIx_NPCS1-NPCS3                          | SPI Peripheral Chip Select 1 to 3 | Output | Low          |          |
| <b>Two-wire Interface</b>                 |                                   |        |              |          |
| TWD                                       | Two-wire Serial Data              | I/O    |              |          |
| TWCK                                      | Two-wire Serial Clock             | I/O    |              |          |

**Table 4-1.** Signal Description List (Continued)

| Signal Name                             | Function                     | Type   | Active Level | Comments                          |
|---|------------------------------|--------|--------------|-----------------------------------|
| <b>Analog-to-Digital Converter</b>      |                              |        |              |                                   |
| AD0-AD3                                 | Analog Inputs                | Analog |              | Digital pulled-up inputs at reset |
| AD4-AD7                                 | Analog Inputs                | Analog |              | Analog Inputs                     |
| ADTRG                                   | ADC Trigger                  | Input  |              |                                   |
| ADVREF                                  | ADC Reference                | Analog |              |                                   |
| <b>Fast Flash Programming Interface</b> |                              |        |              |                                   |
| PGMEN0-PGMEN1                           | Programming Enabling         | Input  |              |                                   |
| PGMM0-PGMM3                             | Programming Mode             | Input  |              |                                   |
| PGMD0-PGMD15                            | Programming Data             | I/O    |              |                                   |
| PGMRDY                                  | Programming Ready            | Output | High         |                                   |
| PGMNVALID                               | Data Direction               | Output | Low          |                                   |
| PGMNOE                                  | Programming Read             | Input  | Low          |                                   |
| PGMCK                                   | Programming Clock            | Input  |              |                                   |
| PGMNCMD                                 | Programming Command          | Input  | Low          |                                   |
| <b>CAN Controller</b>                   |                              |        |              |                                   |
| CANRX                                   | CAN Input                    | Input  |              |                                   |
| CANTX                                   | CAN Output                   | Output |              |                                   |
| <b>Ethernet MAC 10/100</b>              |                              |        |              |                                   |
| EREFCK                                  | Reference Clock              | Input  |              | RMII only                         |
| ETXCK                                   | Transmit Clock               | Input  |              | MII only                          |
| ERXCK                                   | Receive Clock                | Input  |              | MII only                          |
| ETXEN                                   | Transmit Enable              | Output |              |                                   |
| ETX0 - ETX3                             | Transmit Data                | Output |              | ETX0 - ETX1 only in RMII          |
| ETXER                                   | Transmit Coding Error        | Output |              | MII only                          |
| ERXDV                                   | Receive Data Valid           | Input  |              | MII only                          |
| ECRSDV                                  | Carrier Sense and Data Valid | Input  |              | RMII only                         |
| ERX0 - ERX3                             | Receive Data                 | Input  |              | ERX0 - ERX1 only in RMII          |
| ERXER                                   | Receive Error                | Input  |              |                                   |
| ECRS                                    | Carrier Sense                | Input  |              | MII only                          |
| ECOL                                    | Collision Detected           | Input  |              | MII only                          |
| EMDC                                    | Management Data Clock        | Output |              |                                   |
| EMDIO                                   | Management Data Input/Output | I/O    |              |                                   |
| EF100                                   | Force 100 Mbits/sec.         | Output | High         | RMII only                         |

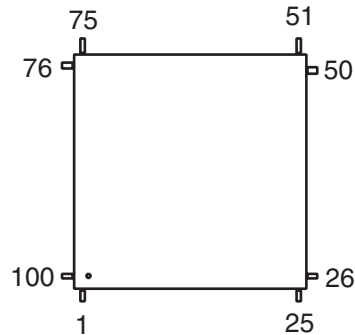
## 5. Package

The AT91SAM7X256/128 is available in 100-lead LQFP package.

### 5.1 100-lead LQFP Mechanical Overview

Figure 5-1 shows the orientation of the 100-lead LQFP package. A detailed mechanical description is given in the Mechanical Characteristics section of the full datasheet.

Figure 5-1. 100-lead LQFP Package Pinout (Top View)



### 5.2 AT91SAM7X256/128 Pinout

Table 5-1. Pinout in 100-lead TQFP Package

|    |            |    |             |    |             |     |                |
|----|------------|----|-------------|----|-------------|-----|----------------|
| 1  | ADVREF     | 26 | PA18/PGMD6  | 51 | TDI         | 76  | TDO            |
| 2  | GND        | 27 | PB9         | 52 | GND         | 77  | JTAGSEL        |
| 3  | AD4        | 28 | PB8         | 53 | PB16        | 78  | TMS            |
| 4  | AD5        | 29 | PB14        | 54 | PB4         | 79  | TCK            |
| 5  | AD6        | 30 | PB13        | 55 | PA23/PGMD11 | 80  | PA30           |
| 6  | AD7        | 31 | PB6         | 56 | PA24/PGMD12 | 81  | PA0/PGMEN0     |
| 7  | VDDOUT     | 32 | GND         | 57 | NRST        | 82  | PA1/PGMEN1     |
| 8  | VDDIN      | 33 | VDDIO       | 58 | TST         | 83  | GND            |
| 9  | PB27/AD0   | 34 | PB5         | 59 | PA25/PGMD13 | 84  | VDDIO          |
| 10 | PB28/AD1   | 35 | PB15        | 60 | PA26/PGMD14 | 85  | PA3            |
| 11 | PB29/AD2   | 36 | PB17        | 61 | VDDIO       | 86  | PA2            |
| 12 | PB30/AD3   | 37 | VDDCORE     | 62 | VDDCORE     | 87  | VDDCORE        |
| 13 | PA8/PGMM0  | 38 | PB7         | 63 | PB18        | 88  | PA4/PGMNCMD    |
| 14 | PA9/PGMM1  | 39 | PB12        | 64 | PB19        | 89  | PA5/PGMRDY     |
| 15 | VDDCORE    | 40 | PB0         | 65 | PB20        | 90  | PA6/PGMNOE     |
| 16 | GND        | 41 | PB1         | 66 | PB21        | 91  | PA7/PGMINVALID |
| 17 | VDDIO      | 42 | PB2         | 67 | PB22        | 92  | ERASE          |
| 18 | PA10/PGMM2 | 43 | PB3         | 68 | GND         | 93  | DDM            |
| 19 | PA11/PGMM3 | 44 | PB10        | 69 | PB23        | 94  | DDP            |
| 20 | PA12/PGMD0 | 45 | PB11        | 70 | PB24        | 95  | VDDFLASH       |
| 21 | PA13/PGMD1 | 46 | PA19/PGMD7  | 71 | PB25        | 96  | GND            |
| 22 | PA14/PGMD2 | 47 | PA20/PGMD8  | 72 | PB26        | 97  | XIN/PGMCK      |
| 23 | PA15/PGMD3 | 48 | VDDIO       | 73 | PA27/PGMD15 | 98  | XOUT           |
| 24 | PA16/PGMD4 | 49 | PA21/PGMD9  | 74 | PA28        | 99  | PLLRC          |
| 25 | PA17/PGMD5 | 50 | PA22/PGMD10 | 75 | PA29        | 100 | VDDPLL         |



## 6. Power Considerations

### 6.1 Power Supplies

The AT91SAM7X256/128 has six types of power supply pins and integrates a voltage regulator, allowing the device to be supplied with only one voltage. The six power supply pin types are:

- VDDIN pin. It powers the voltage regulator and the ADC; voltage ranges from 3.0V to 3.6V, 3.3V nominal. In order to decrease current consumption, if the voltage regulator and the ADC are not used, VDDIN, ADVREF, AD5, AD6 and AD7 should be connected to GND. In this case, VDDOUT should be left unconnected.
- VDDOUT pin. It is the output of the 1.8V voltage regulator.
- VDDIO pin. It powers the I/O lines; voltage ranges from 3.0V to 3.6V, 3.3V nominal.
- VDDFLASH pin. It powers the USB transceivers and a part of the Flash and is required for the Flash to operate correctly; voltage ranges from 3.0V to 3.6V, 3.3V nominal.
- VDDCORE pins. They power the logic of the device; voltage ranges from 1.65V to 1.95V, 1.8V typical. It can be connected to the VDDOUT pin with decoupling capacitor. VDDCORE is required for the device, including its embedded Flash, to operate correctly.
- VDDPLL pin. It powers the oscillator and the PLL. It can be connected directly to the VDDOUT pin.

No separate ground pins are provided for the different power supplies. Only GND pins are provided and should be connected as shortly as possible to the system ground plane.

### 6.2 Power Consumption

The AT91SAM7X256/128 has a static current of less than 60  $\mu\text{A}$  on VDDCORE at 25°C, including the RC oscillator, the voltage regulator and the power-on reset when the brownout detector is deactivated. Activating the brownout detector adds 28  $\mu\text{A}$  static current.

The dynamic power consumption on VDDCORE is less than 90 mA at full speed when running out of the Flash. Under the same conditions, the power consumption on VDDFLASH does not exceed 10 mA.

### 6.3 Voltage Regulator

The AT91SAM7X256/128 embeds a voltage regulator that is managed by the System Controller.

In Normal Mode, the voltage regulator consumes less than 100  $\mu\text{A}$  static current and draws 100 mA of output current.

The voltage regulator also has a Low-power Mode. In this mode, it consumes less than 25  $\mu\text{A}$  static current and draws 1 mA of output current.

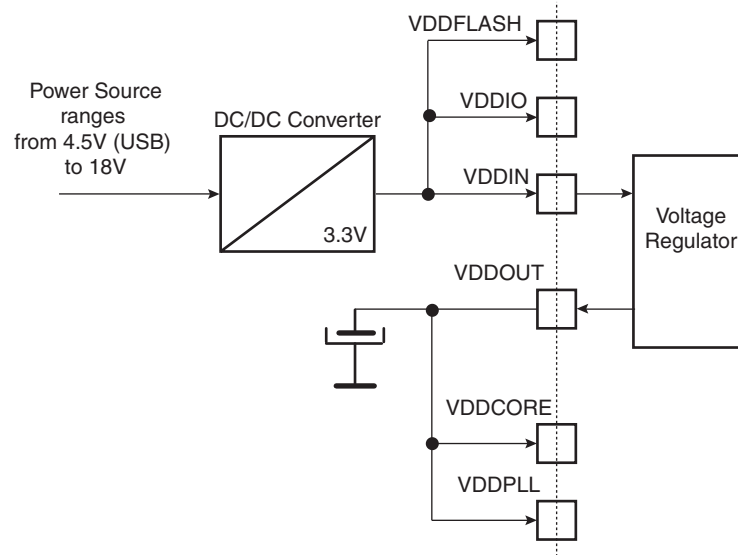
Adequate output supply decoupling is mandatory for VDDOUT to reduce ripple and avoid oscillations. The best way to achieve this is to use two capacitors in parallel: one external 470 pF (or 1 nF) NPO capacitor should be connected between VDDOUT and GND as close to the chip as possible. One external 2.2  $\mu\text{F}$  (or 3.3  $\mu\text{F}$ ) X7R capacitor should be connected between VDDOUT and GND.

Adequate input supply decoupling is mandatory for VDDIN in order to improve startup stability and reduce source voltage drop. The input decoupling capacitor should be placed close to the chip. For example, two capacitors can be used in parallel: 100 nF NPO and 4.7  $\mu$ F X7R.

## 6.4 Typical Powering Schematics

The AT91SAM7X256/128 supports a 3.3V single supply mode. The internal regulator input connected to the 3.3V source and its output feeds VDDCORE and the VDDPLL. Figure 6-1 shows the power schematics to be used for USB bus-powered systems.

**Figure 6-1.** 3.3V System Single Power Supply Schematic



## 7. I/O Lines Considerations

### 7.1 JTAG Port Pins

TMS, TDI and TCK are schmitt trigger inputs and are not 5-V tolerant. TMS, TDI and TCK do not integrate a pull-up resistor.

TDO is an output, driven at up to VDDIO, and has no pull-up resistor.

The JTAGSEL pin is used to select the JTAG boundary scan when asserted at a high level. The JTAGSEL pin integrates a permanent pull-down resistor of about 15 k $\Omega$  to GND, so that it can be left unconnected for normal operations.

### 7.2 Test Pin

The TST pin is used for manufacturing test or fast programming mode of the AT91SAM7X256/128 when asserted high. The TST pin integrates a permanent pull-down resistor of about 15 k $\Omega$  to GND, so that it can be left unconnected for normal operations.

To enter fast programming mode, the TST pin and the PA0 and PA1 pins should be tied high and PA2 tied to low.

Driving the TST pin at a high level while PA0 or PA1 is driven at 0 leads to unpredictable results.

### 7.3 Reset Pin

The NRST pin is bidirectional with an open drain output buffer. It is handled by the on-chip reset controller and can be driven low to provide a reset signal to the external components or asserted low externally to reset the microcontroller. There is no constraint on the length of the reset pulse, and the reset controller can guarantee a minimum pulse length. This allows connection of a simple push-button on the NRST pin as system user reset, and the use of the signal NRST to reset all the components of the system.

The NRST pin integrates a permanent pull-up resistor to VDDIO.

### 7.4 ERASE Pin

The ERASE pin is used to re-initialize the Flash content and some of its NVM bits. It integrates a permanent pull-down resistor of about 15 k $\Omega$  to GND, so that it can be left unconnected for normal operations.

This pin is debounced by the RC oscillator to improve the glitch tolerance. Minimum debouncing time is 200 ms.

### 7.5 PIO Controller Lines

All the I/O lines, PA0 to PA30 and PB0 to PB30, are 5V-tolerant and all integrate a programmable pull-up resistor. Programming of this pull-up resistor is performed independently for each I/O line through the PIO controllers.

5V-tolerant means that the I/O lines can drive voltage level according to VDDIO, but can be driven with a voltage of up to 5.5V. However, driving an I/O line with a voltage over VDDIO while the programmable pull-up resistor is enabled can lead to unpredictable results. Care should be taken, in particular at reset, as all the I/O lines default to input with pull-up resistor enabled at reset.

## 7.6 I/O Lines Current Drawing

The PIO lines PA0 to PA3 are high-drive current capable. Each of these I/O lines can drive up to 16 mA permanently.

The remaining I/O lines can draw only 8 mA.

However, the total current drawn by all the I/O lines cannot exceed 200 mA.

## 8. Processor and Architecture

### 8.1 ARM7TDMI Processor

- RISC processor based on ARMv4T Von Neumann architecture
  - Runs at up to 55 MHz, providing 0.9 MIPS/MHz
- Two instruction sets
  - ARM<sup>®</sup> high-performance 32-bit instruction set
  - Thumb<sup>®</sup> high code density 16-bit instruction set
- Three-stage pipeline architecture
  - Instruction Fetch (F)
  - Instruction Decode (D)
  - Execute (E)

### 8.2 Debug and Test Features

- Integrated EmbeddedICE<sup>™</sup> (embedded in-circuit emulator)
  - Two watchpoint units
  - Test access port accessible through a JTAG protocol
  - Debug communication channel
- Debug Unit
  - Two-pin UART
  - Debug communication channel interrupt handling
  - Chip ID Register
- IEEE1149.1 JTAG Boundary-scan on all digital pins

### 8.3 Memory Controller

- Programmable Bus Arbiter
  - Handles requests from the ARM7TDMI, the Ethernet MAC and the Peripheral DMA Controller
- Address decoder provides selection signals for
  - Three internal 1 Mbyte memory areas
  - One 256 Mbyte embedded peripheral area
- Abort Status Registers
  - Source, Type and all parameters of the access leading to an abort are saved
  - Facilitates debug by detection of bad pointers
- Misalignment Detector
  - Alignment checking of all data accesses
  - Abort generation in case of misalignment
- Remap Command
  - Remaps the SRAM in place of the embedded non-volatile memory
  - Allows handling of dynamic exception vectors

- Embedded Flash Controller
  - Embedded Flash interface, up to three programmable wait states
  - Prefetch buffer, buffering and anticipating the 16-bit requests, reducing the required wait states
  - Key-protected program, erase and lock/unlock sequencer
  - Single command for erasing, programming and locking operations
  - Interrupt generation in case of forbidden operation

## 8.4 Peripheral DMA Controller

- Handles data transfer between peripherals and memories
- Thirteen channels
  - Two for each USART
  - Two for the Debug Unit
  - Two for the Serial Synchronous Controller
  - Two for each Serial Peripheral Interface
  - One for the Analog-to-digital Converter
- Low bus arbitration overhead
  - One Master Clock cycle needed for a transfer from memory to peripheral
  - Two Master Clock cycles needed for a transfer from peripheral to memory
- Next Pointer management for reducing interrupt latency requirements

## 9. Memory

### 9.1 AT91SAM7X256

- 256 Kbytes of Flash Memory
  - 1024 pages of 256 bytes
  - Fast access time, 30 MHz single-cycle access in Worst Case conditions
  - Page programming time: 6 ms, including page auto-erase
  - Page programming without auto-erase: 3 ms
  - Full chip erase time: 15 ms
  - 10,000 write cycles, 10-year data retention capability
  - 16 lock bits, each protecting 16 sectors of 64 pages
  - Protection Mode to secure contents of the Flash
- 64 Kbytes of Fast SRAM
  - Single-cycle access at full speed

### 9.2 AT91SAM7X128

- 128 Kbytes of Flash Memory
  - 512 pages of 256 bytes
  - Fast access time, 30 MHz single-cycle access in Worst Case conditions
  - Page programming time: 6 ms, including page auto-erase
  - Page programming without auto-erase: 3 ms
  - Full chip erase time: 15 ms
  - 10,000 write cycles, 10-year data retention capability
  - 8 lock bits, each protecting 8 sectors of 64 pages
  - Protection Mode to secure contents of the Flash
- 32 Kbytes of Fast SRAM
  - Single-cycle access at full speed

## 9.3 Memory Mapping

### 9.3.1 Internal RAM

- The AT91SAM7X256 embeds a high-speed 64-Kbyte SRAM bank
- The AT91SAM7X128 embeds a high-speed 32-Kbyte SRAM bank.

After reset and until the Remap Command is performed, the SRAM is only accessible at address 0x0020 0000. After Remap, the SRAM also becomes available at address 0x0.

### 9.3.2 Internal ROM

The AT91SAM7X256/128 embeds an Internal ROM. At any time, the ROM is mapped at address 0x30 0000. The ROM contains FFPI and SAM-BA program.

### 9.3.3 Internal Flash

- The AT91SAM7X256 features one bank of 256 Kbytes of Flash
- The AT91SAM7X128 features one bank of 128 Kbytes of Flash.

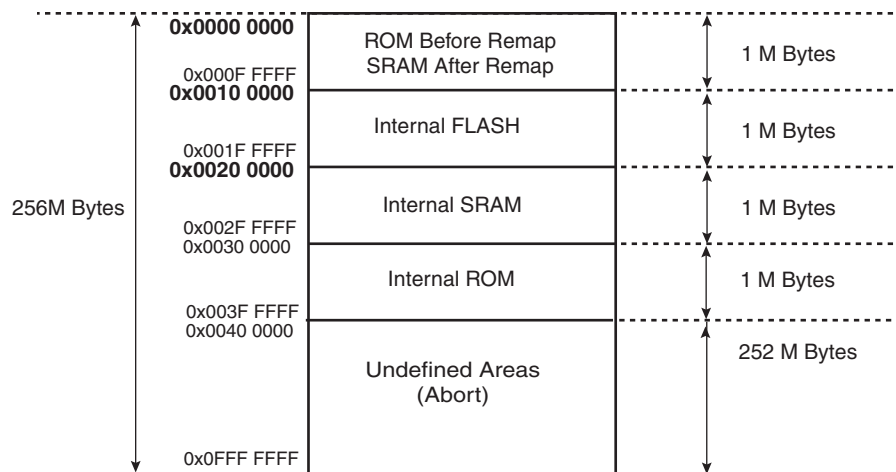
At any time, the Flash is mapped to address 0x0010 0000. It is also accessible at address 0x0 after the reset and before the Remap Command.

A general purpose NVM (GPNVM) bit is used to boot either on the ROM (default) or from the Flash.

This GPNVM bit can be cleared or set respectively through the commands “Clear General-purpose NVM Bit” and “Set General-purpose NVM Bit” of the EFC User Interface.

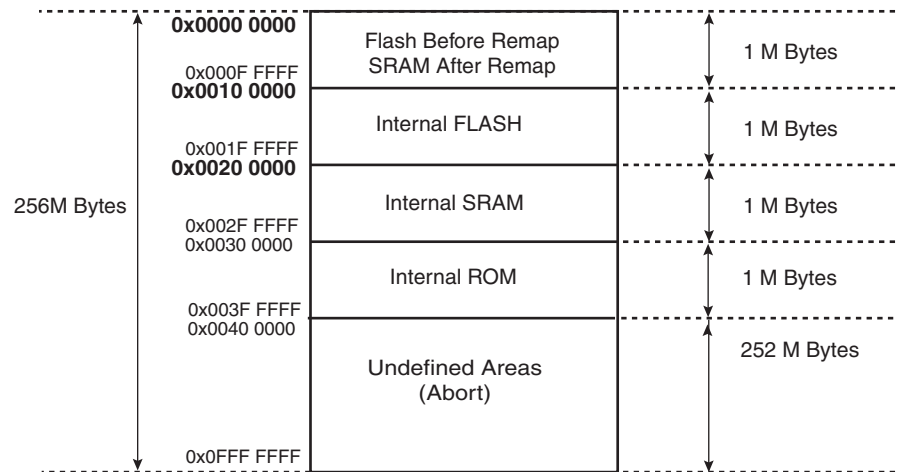
Setting the GPNVM Bit 2 selects the boot from the Flash. Asserting ERASE clears the GPNVM Bit 2 and thus selects the boot from the ROM by default.

**Figure 9-1.** Internal Memory Mapping with GPNVM Bit 2 = 0 (default)





**Figure 9-2.** Internal Memory Mapping with GPNVM Bit 2 = 1



## 9.4 Embedded Flash

### 9.4.1 Flash Overview

- The Flash of the AT91SAM7X256 is organized in 1024 pages of 256 bytes. It reads as 65,536 32-bit words.
- The Flash of the AT91SAM7X128 is organized in 512 pages of 256 bytes. It reads as 32,768 32-bit words.

The Flash contains a 256-byte write buffer, accessible through a 32-bit interface.

The Flash benefits from the integration of a power reset cell and from the brownout detector. This prevents code corruption during power supply changes, even in the worst conditions.

When Flash is not used (read or write access), it is automatically placed into standby mode.

### 9.4.2 Embedded Flash Controller

The Embedded Flash Controller (EFC) manages accesses performed by the masters of the system. It enables reading the Flash and writing the write buffer. It also contains a User Interface, mapped within the Memory Controller on the APB. The User Interface allows:

- programming of the access parameters of the Flash (number of wait states, timings, etc.)
- starting commands such as full erase, page erase, page program, NVM bit set, NVM bit clear, etc.
- getting the end status of the last command
- getting error status
- programming interrupts on the end of the last commands or on errors

The Embedded Flash Controller also provides a dual 32-bit Prefetch Buffer that optimizes 16-bit access to the Flash. This is particularly efficient when the processor is running in Thumb mode.

### 9.4.3 Lock Regions

#### 9.4.3.1 AT91SAM7X256

The Embedded Flash Controller manages 16 lock bits to protect 16 regions of the flash against inadvertent flash erasing or programming commands. The AT91SAM7X256 contains 16 lock regions and each lock region contains 64 pages of 256 bytes. Each lock region has a size of 16 Kbytes.

If a locked-region's erase or program command occurs, the command is aborted and the EFC trigs an interrupt.

The 16 NVM bits are software programmable through the EFC User Interface. The command "Set Lock Bit" enables the protection. The command "Clear Lock Bit" unlocks the lock region.

Asserting the ERASE pin clears the lock bits, thus unlocking the entire Flash.

#### 9.4.3.2 AT91SAM7X128

The Embedded Flash Controller manages 8 lock bits to protect 8 regions of the flash against inadvertent flash erasing or programming commands. The AT91SAM7X128 contains 8 lock regions and each lock region contains 64 pages of 256 bytes. Each lock region has a size of 16 Kbytes.

If a locked-region's erase or program command occurs, the command is aborted and the EFC trigs an interrupt.

The 8 NVM bits are software programmable through the EFC User Interface. The command "Set Lock Bit" enables the protection. The command "Clear Lock Bit" unlocks the lock region.

Asserting the ERASE pin clears the lock bits, thus unlocking the entire Flash.

### 9.4.4 Security Bit Feature

The AT91SAM7X256/128 features a security bit, based on a specific NVM-Bit. When the security is enabled, any access to the Flash, either through the ICE interface or through the Fast Flash Programming Interface, is forbidden. This ensures the confidentiality of the code programmed in the Flash.

This security bit can only be enabled, through the Command "Set Security Bit" of the EFC User Interface. Disabling the security bit can only be achieved by asserting the ERASE pin at 1, and after a full flash erase is performed. When the security bit is deactivated, all accesses to the flash are permitted.

It is important to note that the assertion of the ERASE pin should always be longer than 200 ms.

As the ERASE pin integrates a permanent pull-down, it can be left unconnected during normal operation. However, it is safer to connect it directly to GND for the final application.

### 9.4.5 Non-volatile Brownout Detector Control

Two general purpose NVM (GPNVM) bits are used for controlling the brownout detector (BOD), so that even after a power loss, the brownout detector operations remain in their state.

These two GPNVM bits can be cleared or set respectively through the commands "Clear General-purpose NVM Bit" and "Set General-purpose NVM Bit" of the EFC User Interface.

- GPNVM Bit 0 is used as a brownout detector enable bit. Setting the GPNVM Bit 0 enables the BOD, clearing it disables the BOD. Asserting ERASE clears the GPNVM Bit 0 and thus disables the brownout detector by default.
- The GPNVM Bit 1 is used as a brownout reset enable signal for the reset controller. Setting the GPNVM Bit 1 enables the brownout reset when a brownout is detected, Clearing the GPNVM Bit 1 disables the brownout reset. Asserting ERASE disables the brownout reset by default.

## 9.4.6 Calibration Bits

Eight NVM bits are used to calibrate the brownout detector and the voltage regulator. These bits are factory configured and cannot be changed by the user. The ERASE pin has no effect on the calibration bits.

## 9.5 Fast Flash Programming Interface

The Fast Flash Programming Interface allows programming the device through either a serial JTAG interface or through a multiplexed fully-handshaked parallel port. It allows gang-programming with market-standard industrial programmers.

The FFPI supports read, page program, page erase, full erase, lock, unlock and protect commands.

The Fast Flash Programming Interface is enabled and the Fast Programming Mode is entered when the TST pin and the PA0 and PA1 pins are all tied high.

## 9.6 SAM-BA Boot Assistant

The SAM-BA Boot Assistant is a default Boot Program that provides an easy way to program in-situ the on-chip Flash memory.

The SAM-BA Boot Assistant supports serial communication via the DBGU or the USB Device Port.

- Communication via the DBGU supports a wide range of crystals from 3 to 20 MHz via software auto-detection.
- Communication via the USB Device Port is limited to an 18.432 MHz crystal.

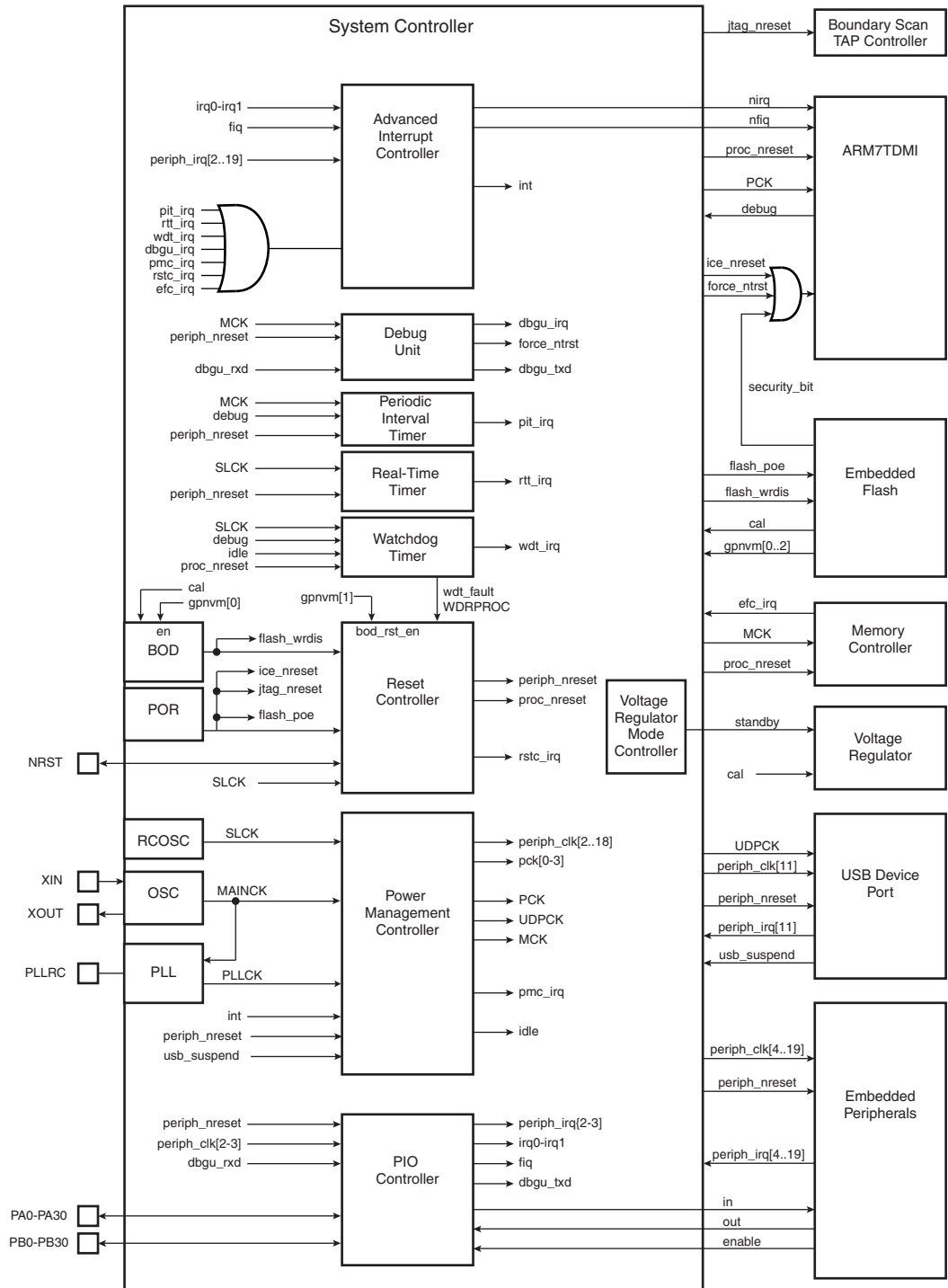
The SAM-BA Boot provides an interface with SAM-BA Graphic User Interface (GUI).

The SAM-BA Boot is in ROM and is mapped in Flash at address 0x0 when the GPNVM Bit 2 is set to 0.

## 10. System Controller

The System Controller manages all vital blocks of the microcontroller: interrupts, clocks, power, time, debug and reset.

**Figure 10-1.** System Controller Block Diagram



## 10.1 System Controller Mapping

The System Controller peripherals are all mapped to the highest 4 Kbytes of address space, between addresses 0xFFFF F000 and 0xFFFF FFFF.

Figure 10-2 shows the mapping of the System Controller. Note that the Memory Controller configuration user interface is also mapped within this address space.

**Figure 10-2.** System Controller Mapping

| Address                                   | Peripheral | Peripheral Name                   | Size                    |
|---|------------|-----------------------------------|-------------------------|
| 0xFFFF F000                               | AIC        | Advanced Interrupt Controller     | 512 Bytes/128 registers |
| 0xFFFF F1FF<br>0xFFFF F200                | DBGU       | Debug Unit                        | 512 Bytes/128 registers |
| 0xFFFF F3FF<br>0xFFFF F400                | PIOA       | PIO Controller A                  | 512 Bytes/128 registers |
| 0xFFFF F5FF<br>0xFFFF F600                | PIOB       | PIO Controller B                  | 512 Bytes/128 registers |
| 0xFFFF F7FF<br>0xFFFF F800                | Reserved   |                                   |                         |
| 0xFFFF FBFF<br>0xFFFF FC00                | PMC        | Power Management Controller       | 256 Bytes/64 registers  |
| 0xFFFF FCFF<br>0xFFFF FD00<br>0xFFFF FD0F | RSTC       | Reset Controller                  | 16 Bytes/4 registers    |
|   | Reserved   |                                   |                         |
| 0xFFFF FD20<br>0xFFFF FC2F                | RTT        | Real-time Timer                   | 16 Bytes/4 registers    |
| 0xFFFF FD30<br>0xFFFF FC3F                | PIT        | Periodic Interval Timer           | 16 Bytes/4 registers    |
| 0xFFFF FD40<br>0xFFFF FD4F                | WDT        | Watchdog Timer                    | 16 Bytes/4 registers    |
|   | Reserved   |                                   |                         |
| 0xFFFF FD60<br>0xFFFF FC6F                | VREG       | Voltage Regulator Mode Controller | 4 Bytes/1 register      |
| 0xFFFF FD70                               | Reserved   |                                   |                         |
| 0xFFFF FEFF<br>0xFFFF FF00                | MC         | Memory Controller                 | 256 Bytes/64 registers  |
| 0xFFFF FFFF                               |            |                                   |                         |

## 10.2 Reset Controller

- Based on one power-on reset cell and one brownout detector
- Status of the last reset, either Power-up Reset, Software Reset, User Reset, Watchdog Reset, Brownout Reset
- Controls the internal resets and the NRST pin output
- Allows to shape a signal on the NRST line, guaranteeing that the length of the pulse meets any requirement.

### 10.2.1 Brownout Detector and Power-on Reset

The AT91SAM7X256/X128 embeds one brownout detection circuit and a power-on reset cell. The power-on reset is supplied with and monitors VDDCORE.

Both signals are provided to the Flash to prevent any code corruption during power-up or power-down sequences or if brownouts occur on the power supplies.

The power-on reset cell has a limited-accuracy threshold at around 1.5V. Its output remains low during power-up until VDDCORE goes over this voltage level. This signal goes to the reset controller and allows a full re-initialization of the device.

The brownout detector monitors the VDDCORE and VDDFLASH levels during operation by comparing them to a fixed trigger level. It secures system operations in the most difficult environments and prevents code corruption in case of brownout on the VDDCORE or VDDFLASH.

When the brownout detector is enabled and VDDCORE decreases to a value below the trigger level ( $V_{bot18-}$ , defined as  $V_{bot18} - hyst/2$ ), the brownout output is immediately activated.

When VDDCORE increases above the trigger level ( $V_{bot18+}$ , defined as  $V_{bot18} + hyst/2$ ), the reset is released. The brownout detector only detects a drop if the voltage on VDDCORE stays below the threshold voltage for longer than about 1 $\mu$ s.

The VDDCORE threshold voltage has a hysteresis of about 50 mV, to ensure spike free brownout detection. The typical value of the brownout detector threshold is 1.68V with an accuracy of  $\pm 2\%$  and is factory calibrated.

When the brownout detector is enabled and VDDFLASH decreases to a value below the trigger level ( $V_{bot33-}$ , defined as  $V_{bot33} - hyst/2$ ), the brownout output is immediately activated.

When VDDFLASH increases above the trigger level ( $V_{bot33+}$ , defined as  $V_{bot33} + hyst/2$ ), the reset is released. The brownout detector only detects a drop if the voltage on VDDCORE stays below the threshold voltage for longer than about 1 $\mu$ s.

The VDDFLASH threshold voltage has a hysteresis of about 50 mV, to ensure spike free brownout detection. The typical value of the brownout detector threshold is 2.80V with an accuracy of  $\pm 3.5\%$  and is factory calibrated.

The brownout detector is low-power, as it consumes less than 28  $\mu$ A static current. However, it can be deactivated to save its static current. In this case, it consumes less than 1 $\mu$ A. The deactivation is configured through the GPNVM bit 0 of the Flash.

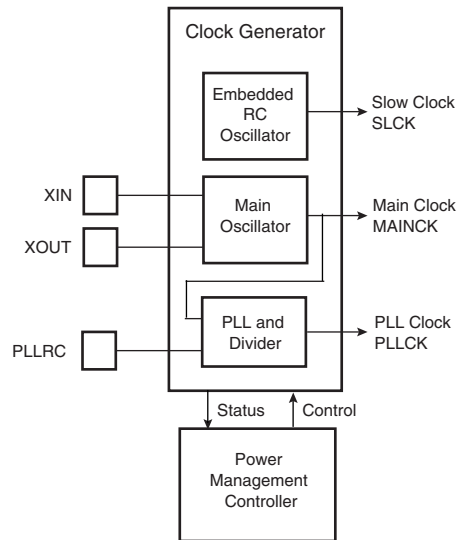
## 10.3 Clock Generator

The Clock Generator embeds one low-power RC Oscillator, one Main Oscillator and one PLL with the following characteristics:

- RC Oscillator ranges between 22 KHz and 42 KHz
- Main Oscillator frequency ranges between 3 and 20 MHz
- Main Oscillator can be bypassed
- PLL output ranges between 80 and 200 MHz

It provides SLCK, MAINCK and PLLCK.

**Figure 10-3.** Clock Generator Block Diagram



## 10.4 Power Management Controller

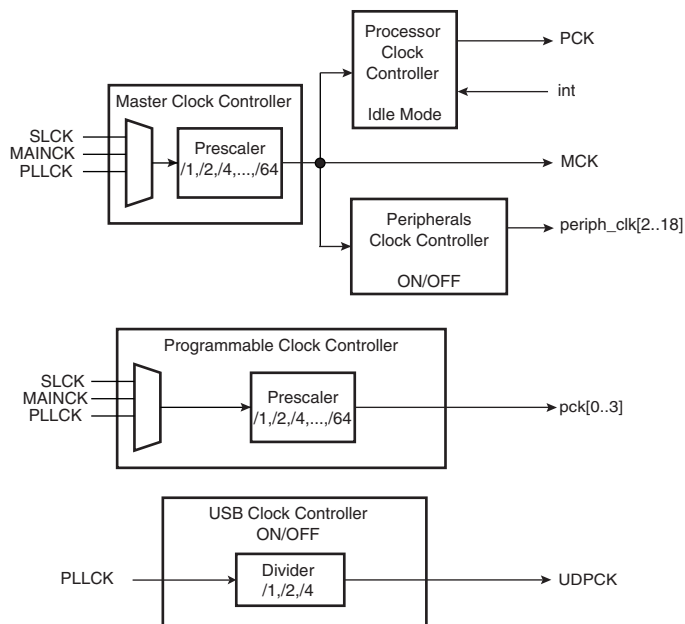
The Power Management Controller uses the Clock Generator outputs to provide:

- the Processor Clock PCK
- the Master Clock MCK
- the USB Clock UDPCK
- all the peripheral clocks, independently controllable
- four programmable clock outputs

The Master Clock (MCK) is programmable from a few hundred Hz to the maximum operating frequency of the device.

The Processor Clock (PCK) switches off when entering processor idle mode, thus allowing reduced power consumption while waiting for an interrupt.

**Figure 10-4.** Power Management Controller Block Diagram



## 10.5 Advanced Interrupt Controller

- Controls the interrupt lines (nIRQ and nFIQ) of an ARM Processor
- Individually maskable and vectored interrupt sources
  - Source 0 is reserved for the Fast Interrupt Input (FIQ)
  - Source 1 is reserved for system peripherals (RTT, PIT, EFC, PMC, DBGU, etc.)
  - Other sources control the peripheral interrupts or external interrupts
  - Programmable edge-triggered or level-sensitive internal sources
  - Programmable positive/negative edge-triggered or high/low level-sensitive external sources
- 8-level Priority Controller
  - Drives the normal interrupt nIRQ of the processor
  - Handles priority of the interrupt sources



- Higher priority interrupts can be served during service of lower priority interrupt
- Vectoring
  - Optimizes interrupt service routine branch and execution
  - One 32-bit vector register per interrupt source
  - Interrupt vector register reads the corresponding current interrupt vector
- Protect Mode
  - Easy debugging by preventing automatic operations
- Fast Forcing
  - Permits redirecting any interrupt source on the fast interrupt
- General Interrupt Mask
  - Provides processor synchronization on events without triggering an interrupt

## 10.6 Debug Unit

- Comprises:
  - One two-pin UART
  - One Interface for the Debug Communication Channel (DCC) support
  - One set of Chip ID Registers
  - One Interface providing ICE Access Prevention
- Two-pin UART
  - USART-compatible User Interface
  - Programmable Baud Rate Generator
  - Parity, Framing and Overrun Error
  - Automatic Echo, Local Loopback and Remote Loopback Channel Modes
- Debug Communication Channel Support
  - Offers visibility of COMMRX and COMMTX signals from the ARM Processor
- Chip ID Registers
  - Identification of the device revision, sizes of the embedded memories, set of peripherals
  - Chip ID is 0x275B 0940 (VERSION 0) for AT91SAM7X256
  - Chip ID is 0x275A 0740 (VERSION 0) for AT91SAM7X128

## 10.7 Period Interval Timer

- 20-bit programmable counter plus 12-bit interval counter

## 10.8 Watchdog Timer

- 12-bit key-protected Programmable Counter running on prescaled SLCK
- Provides reset or interrupt signals to the system
- Counter may be stopped while the processor is in debug state or in idle mode

## 10.9 Real-time Timer

- 32-bit free-running counter with alarm running on prescaled SLCK
- Programmable 16-bit prescaler for SLCK accuracy compensation

## 10.10 PIO Controllers

- Two PIO Controllers, each controlling 31 I/O lines
- Fully programmable through set/clear registers
- Multiplexing of two peripheral functions per I/O line
- For each I/O line (whether assigned to a peripheral or used as general-purpose I/O)
  - Input change interrupt
  - Half a clock period glitch filter
  - Multi-drive option enables driving in open drain
  - Programmable pull-up on each I/O line
  - Pin data status register, supplies visibility of the level on the pin at any time
- Synchronous output, provides Set and Clear of several I/O lines in a single write

## 10.11 Voltage Regulator Controller

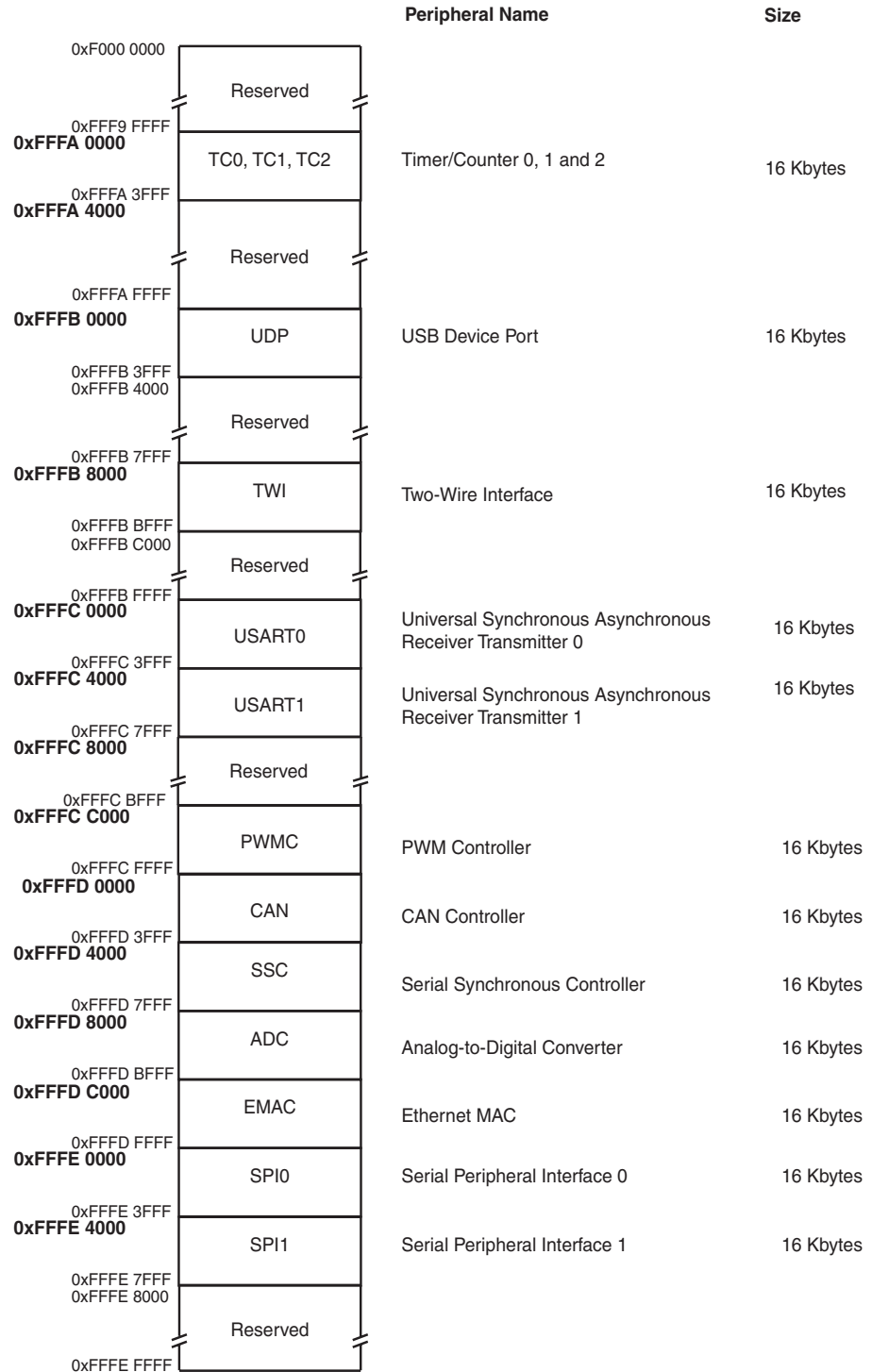
The purpose of this controller is to select the Power Mode of the Voltage Regulator between Normal Mode (bit 0 is cleared) or Standby Mode (bit 0 is set).

## 11. Peripherals

### 11.1 Peripheral Mapping

Each peripheral is allocated 16 Kbytes of address space.

**Figure 11-1. User Peripheral Mapping**



## 11.2 Peripheral Multiplexing on PIO Lines

The AT91SAM7X256/128 features two PIO controllers, PIOA and PIOB, that multiplex the I/O lines of the peripheral set.

Each PIO Controller controls 31 lines. Each line can be assigned to one of two peripheral functions, A or B. Some of them can also be multiplexed with the analog inputs of the ADC Controller.

[Table 11-1 on page 29](#) and [Table 11-2 on page 30](#) defines how the I/O lines of the peripherals A, B or the analog inputs are multiplexed on the PIO Controller A and PIO Controller B. The two columns “Function” and “Comments” have been inserted for the user’s own comments; they may be used to track how pins are defined in an application.

Note that some peripheral functions that are output only, may be duplicated in the table.

At reset, all I/O lines are automatically configured as input with the programmable pull-up enabled, so that the device is maintained in a static state as soon as a reset is detected.

## 11.3 PIO Controller A Multiplexing

Table 11-1. Multiplexing on PIO Controller A

| PIO Controller A |              |              |            | Application Usage |          |
|------------------|--------------|--------------|------------|-------------------|----------|
| I/O Line         | Peripheral A | Peripheral B | Comments   | Function          | Comments |
| PA0              | RXD0         |              | High-Drive |                   |          |
| PA1              | TXD0         |              | High-Drive |                   |          |
| PA2              | SCK0         | SPI1_NPCS1   | High-Drive |                   |          |
| PA3              | RTS0         | SPI1_NPCS2   | High-Drive |                   |          |
| PA4              | CTS0         | SPI1_NPCS3   |            |                   |          |
| PA5              | RXD1         |              |            |                   |          |
| PA6              | TXD1         |              |            |                   |          |
| PA7              | SCK1         | SPI0_NPCS1   |            |                   |          |
| PA8              | RTS1         | SPI0_NPCS2   |            |                   |          |
| PA9              | CTS1         | SPI0_NPCS3   |            |                   |          |
| PA10             | TWD          |              |            |                   |          |
| PA11             | TWCK         |              |            |                   |          |
| PA12             | SPI_NPCS0    |              |            |                   |          |
| PA13             | SPI0_NPCS1   | PCK1         |            |                   |          |
| PA14             | SPI0_NPCS2   | IRQ1         |            |                   |          |
| PA15             | SPI0_NPCS3   | TCLK2        |            |                   |          |
| PA16             | SPI0_MISO    |              |            |                   |          |
| PA17             | SPI0_MOSI    |              |            |                   |          |
| PA18             | SPI0_SPCK    |              |            |                   |          |
| PA19             | CANRX        |              |            |                   |          |
| PA20             | CANTX        |              |            |                   |          |
| PA21             | TF           | SPI1_NPCS0   |            |                   |          |
| PA22             | TK           | SPI1_SPCK    |            |                   |          |
| PA23             | TD           | SPI1_MOSI    |            |                   |          |
| PA24             | RD           | SPI1_MISO    |            |                   |          |
| PA25             | RK           | SPI1_NPCS1   |            |                   |          |
| PA26             | RF           | SPI1_NPCS2   |            |                   |          |
| PA27             | DRXD         | PCK3         |            |                   |          |
| PA28             | DTXD         |              |            |                   |          |
| PA29             | FIQ          | SPI1_NPCS3   |            |                   |          |
| PA30             | IRQ0         | PCK2         |            |                   |          |



## 11.4 PIO Controller B Multiplexing

**Table 11-2.** Multiplexing on PIO Controller B

| PIO Controller A |              |              |          | Application Usage |          |
|------------------|--------------|--------------|----------|-------------------|----------|
| I/O Line         | Peripheral A | Peripheral B | Comments | Function          | Comments |
| PB0              | ETXCK/EREFCK | PCK0         |          |                   |          |
| PB1              | ETXEN        |              |          |                   |          |
| PB2              | ETX0         |              |          |                   |          |
| PB3              | ETX1         |              |          |                   |          |
| PB4              | ECRS         |              |          |                   |          |
| PB5              | ERX0         |              |          |                   |          |
| PB6              | ERX1         |              |          |                   |          |
| PB7              | ERXER        |              |          |                   |          |
| PB8              | EMDC         |              |          |                   |          |
| PB9              | EMDIO        |              |          |                   |          |
| PB10             | ETX2         | SPI1_NPCS1   |          |                   |          |
| PB11             | ETX3         | SPI1_NPCS2   |          |                   |          |
| PB12             | ETXER        | TCLK0        |          |                   |          |
| PB13             | ERX2         | SPI0_NPCS1   |          |                   |          |
| PB14             | ERX3         | SPI0_NPCS2   |          |                   |          |
| PB15             | ERXDV/ECRSDV |              |          |                   |          |
| PB16             | ECOL         | SPI1_NPCS3   |          |                   |          |
| PB17             | ERXCK        | SPI0_NPCS3   |          |                   |          |
| PB18             | EF100        | ADTRG        |          |                   |          |
| PB19             | PWM0         | TCLK1        |          |                   |          |
| PB20             | PWM1         | PCK0         |          |                   |          |
| PB21             | PWM2         | PCK1         |          |                   |          |
| PB22             | PWM3         | PCK2         |          |                   |          |
| PB23             | TIOA0        | DCD1         |          |                   |          |
| PB24             | TIOB0        | DSR1         |          |                   |          |
| PB25             | TIOA1        | DTR1         |          |                   |          |
| PB26             | TIOB1        | RI1          |          |                   |          |
| PB27             | TIOA2        | PWM0         | AD0      |                   |          |
| PB28             | TIOB2        | PWM1         | AD1      |                   |          |
| PB29             | PCK1         | PWM2         | AD2      |                   |          |
| PB30             | PCK2         | PWM3         | AD3      |                   |          |

## 11.5 Peripheral Identifiers

The AT91SAM7X256/128 embeds a wide range of peripherals. [Table 11-3](#) defines the Peripheral Identifiers of the AT91SAM7X256/128. Unique peripheral identifiers are defined for both the Advanced Interrupt Controller and the Power Management Controller.

**Table 11-3.** Peripheral Identifiers

| Peripheral ID | Peripheral Mnemonic   | Peripheral Name                   | External Interrupt |
|---------------|-----------------------|-----------------------------------|--------------------|
| 0             | AIC                   | Advanced Interrupt Controller     | FIQ                |
| 1             | SYSIRQ <sup>(1)</sup> |                                   |                    |
| 2             | PIOA                  | Parallel I/O Controller A         |                    |
| 3             | PIOB                  | Parallel I/O Controller B         |                    |
| 4             | SPI0                  | Serial Peripheral Interface 0     |                    |
| 5             | SPI1                  | Serial Peripheral Interface 1     |                    |
| 6             | US0                   | USART 0                           |                    |
| 7             | US1                   | USART 1                           |                    |
| 8             | SSC                   | Synchronous Serial Controller     |                    |
| 9             | TWI                   | Two-wire Interface                |                    |
| 10            | PWMC                  | Pulse Width Modulation Controller |                    |
| 11            | UDP                   | USB device Port                   |                    |
| 12            | TC0                   | Timer/Counter 0                   |                    |
| 13            | TC1                   | Timer/Counter 1                   |                    |
| 14            | TC2                   | Timer/Counter 2                   |                    |
| 15            | CAN                   | CAN Controller                    |                    |
| 16            | EMAC                  | Ethernet MAC                      |                    |
| 17            | ADC <sup>(1)</sup>    | Analog-to Digital Converter       |                    |
| 18 - 29       | Reserved              |                                   |                    |
| 30            | AIC                   | Advanced Interrupt Controller     | IRQ0               |
| 31            | AIC                   | Advanced Interrupt Controller     | IRQ1               |

Note: 1. Setting SYSIRQ and ADC bits in the clock set/clear registers of the PMC has no effect. The System Controller and ADC are continuously clocked.

## 11.6 Ethernet MAC

- DMA Master on Receive and Transmit Channels
- Compatible with IEEE Standard 802.3
- 10 and 100 Mbit/s operation
- Full- and half-duplex operation
- Statistics Counter Registers
- MII/RMII interface to the physical layer
- Interrupt generation to signal receive and transmit completion
- 28-byte transmit FIFO and 28-byte receive FIFO
- Automatic pad and CRC generation on transmitted frames
- Automatic discard of frames received with errors
- Address checking logic supports up to four specific 48-bit addresses
- Support Promiscuous Mode where all valid received frames are copied to memory
- Hash matching of unicast and multicast destination addresses
- Physical layer management through MDIO interface
- Half-duplex flow control by forcing collisions on incoming frames
- Full-duplex flow control with recognition of incoming pause frames
- Support for 802.1Q VLAN tagging with recognition of incoming VLAN and priority tagged frames
- Multiple buffers per receive and transmit frame
- Jumbo frames up to 10240 bytes supported

## 11.7 Serial Peripheral Interface

- Supports communication with external serial devices
  - Four chip selects with external decoder allow communication with up to 15 peripherals
  - Serial memories, such as DataFlash<sup>®</sup> and 3-wire EEPROMs
  - Serial peripherals, such as ADCs, DACs, LCD Controllers, CAN Controllers and Sensors
  - External co-processors
- Master or slave serial peripheral bus interface
  - 8- to 16-bit programmable data length per chip select
  - Programmable phase and polarity per chip select
  - Programmable transfer delays per chip select, between consecutive transfers and between clock and data
  - Programmable delay between consecutive transfers
  - Selectable mode fault detection
  - Maximum frequency at up to Master Clock

## 11.8 Two-wire Interface

- Master Mode only
- Compatibility with standard two-wire serial memories



- One, two or three bytes for slave address
- Sequential read/write operations

## 11.9 USART

- Programmable Baud Rate Generator
- 5- to 9-bit full-duplex synchronous or asynchronous serial communications
  - 1, 1.5 or 2 stop bits in Asynchronous Mode
  - 1 or 2 stop bits in Synchronous Mode
  - Parity generation and error detection
  - Framing error detection, overrun error detection
  - MSB or LSB first
  - Optional break generation and detection
  - By 8 or by 16 over-sampling receiver frequency
  - Hardware handshaking RTS - CTS
  - Modem Signals Management DTR-DSR-DCD-RI on USART1
  - Receiver time-out and transmitter timeguard
  - Multi-drop Mode with address generation and detection
- RS485 with driver control signal
- ISO7816, T = 0 or T = 1 Protocols for interfacing with smart cards
  - NACK handling, error counter with repetition and iteration limit
- IrDA modulation and demodulation
  - Communication at up to 115.2 Kbps
- Test Modes
  - Remote Loopback, Local Loopback, Automatic Echo

## 11.10 Serial Synchronous Controller

- Provides serial synchronous communication links used in audio and telecom applications
- Contains an independent receiver and transmitter and a common clock divider
- Offers a configurable frame sync and data length
- Receiver and transmitter can be programmed to start automatically or on detection of different event on the frame sync signal
- Receiver and transmitter include a data signal, a clock signal and a frame synchronization signal

## 11.11 Timer Counter

- Three 16-bit Timer Counter Channels
  - Three output compare or two input capture
- Wide range of functions including:
  - Frequency measurement
  - Event counting
  - Interval measurement
  - Pulse generation

- Delay timing
- Pulse Width Modulation
- Up/down capabilities
- Each channel is user-configurable and contains:
  - Three external clock inputs
- Five internal clock inputs, as defined in [Table 11-4](#)

**Table 11-4.** Timer Counter Clocks Assignment

| TC Clock input | Clock    |
|----------------|----------|
| TIMER_CLOCK1   | MCK/2    |
| TIMER_CLOCK2   | MCK/8    |
| TIMER_CLOCK3   | MCK/32   |
| TIMER_CLOCK4   | MCK/128  |
| TIMER_CLOCK5   | MCK/1024 |

- Two multi-purpose input/output signals
- Two global registers that act on all three TC channels

## 11.12 Pulse Width Modulation Controller

- Four channels, one 16-bit counter per channel
- Common clock generator, providing thirteen different clocks
  - One Modulo n counter providing eleven clocks
  - Two independent linear dividers working on modulo n counter outputs
- Independent channel programming
  - Independent enable/disable commands
  - Independent clock selection
  - Independent period and duty cycle, with double buffering
  - Programmable selection of the output waveform polarity
  - Programmable center or left aligned output waveform

## 11.13 USB Device Port

- USB V2.0 full-speed compliant, 12 Mbits per second
- Embedded USB V2.0 full-speed transceiver
- Embedded 1352-byte dual-port RAM for endpoints
- Six endpoints
  - Endpoint 0: 8 bytes
  - Endpoint 1 and 2: 64 bytes ping-pong
  - Endpoint 3: 64 bytes
  - Endpoint 4 and 5: 256 bytes ping-pong
  - Ping-pong Mode (two memory banks) for bulk endpoints
- Suspend/resume logic

## 11.14 CAN Controller

- Fully compliant with CAN 2.0A and 2.0B
- Bit rates up to 1Mbit/s
- Eight object oriented mailboxes each with the following properties:
  - CAN Specification 2.0 Part A or 2.0 Part B Programmable for each Message
  - Object configurable to receive (with overwrite or not) or transmit
  - Local tag and mask filters up to 29-bit identifier/channel
  - 32-bit access to data registers for each mailbox data object
  - Uses a 16-bit time stamp on receive and transmit message
  - Hardware concatenation of ID unmasked bitfields to speedup family ID processing
  - 16-bit internal timer for time stamping and network synchronization
  - Programmable reception buffer length up to 8 mailbox objects
  - Priority management between transmission mailboxes
  - Autobaud and listening mode
  - Low power mode and programmable wake-up on bus activity or by the application
  - Data, remote, error and overload frame handling

## 11.15 Analog-to-Digital Converter

- 8-channel ADC
- 10-bit 384 Ksamples/sec. Successive Approximation Register ADC
- -3/+3 LSB Integral Non Linearity, -2/+2 LSB Differential Non Linearity
- Integrated 8-to-1 multiplexer, offering eight independent 3.3V analog inputs
- External voltage reference for better accuracy on low voltage inputs
- Individual enable and disable of each channel
- Multiple trigger sources
  - Hardware or software trigger
  - External trigger pin
  - Timer Counter 0 to 2 outputs TIOA0 to TIOA2 trigger
- Sleep Mode and conversion sequencer
  - Automatic wakeup on trigger and back to sleep mode after conversions of all enabled channels
- Four of eight analog inputs shared with digital signals



## 12. ARM7TDMI Processor Overview

### 12.1 Overview

The ARM7TDMI core executes both the 32-bit ARM<sup>®</sup> and 16-bit Thumb<sup>®</sup> instruction sets, allowing the user to trade off between high performance and high code density. The ARM7TDMI processor implements Von Neuman architecture, using a three-stage pipeline consisting of Fetch, Decode, and Execute stages.

The main features of the ARM7tDMI processor are:

- ARM7TDMI Based on ARMv4T Architecture
- Two Instruction Sets
  - ARM<sup>®</sup> High-performance 32-bit Instruction Set
  - Thumb<sup>®</sup> High Code Density 16-bit Instruction Set
- Three-Stage Pipeline Architecture
  - Instruction Fetch (F)
  - Instruction Decode (D)
  - Execute (E)

## 12.2 ARM7TDMI Processor

For further details on ARM7TDMI, refer to the following ARM documents:

ARM Architecture Reference Manual (DDI 0100E)

ARM7TDMI Technical Reference Manual (DDI 0210B)

### 12.2.1 Instruction Type

Instructions are either 32 bits long (in ARM state) or 16 bits long (in THUMB state).

### 12.2.2 Data Type

ARM7TDMI supports byte (8-bit), half-word (16-bit) and word (32-bit) data types. Words must be aligned to four-byte boundaries and half words to two-byte boundaries.

Unaligned data access behavior depends on which instruction is used where.

### 12.2.3 ARM7TDMI Operating Mode

The ARM7TDMI, based on ARM architecture v4T, supports seven processor modes:

**User:** The normal ARM program execution state

**FIQ:** Designed to support high-speed data transfer or channel process

**IRQ:** Used for general-purpose interrupt handling

**Supervisor:** Protected mode for the operating system

**Abort mode:** Implements virtual memory and/or memory protection

**System:** A privileged user mode for the operating system

**Undefined:** Supports software emulation of hardware coprocessors

Mode changes may be made under software control, or may be brought about by external interrupts or exception processing. Most application programs execute in User mode. The non-user modes, or privileged modes, are entered in order to service interrupts or exceptions, or to access protected resources.

### 12.2.4 ARM7TDMI Registers

The ARM7TDMI processor has a total of 37 registers:

- 31 general-purpose 32-bit registers
- 6 status registers

These registers are not accessible at the same time. The processor state and operating mode determine which registers are available to the programmer.

At any one time 16 registers are visible to the user. The remainder are synonyms used to speed up exception processing.

Register 15 is the Program Counter (PC) and can be used in all instructions to reference data relative to the current instruction.


R14 holds the return address after a subroutine call.

R13 is used (by software convention) as a stack pointer.

**Table 12-1.** ARM7TDMI ARM Modes and Registers Layout

| User and System Mode | Supervisor Mode | Abort Mode | Undefined Mode | Interrupt Mode | Fast Interrupt Mode |
|----------------------|-----------------|------------|----------------|----------------|---------------------|
| R0                   | R0              | R0         | R0             | R0             | R0                  |
| R1                   | R1              | R1         | R1             | R1             | R1                  |
| R2                   | R2              | R2         | R2             | R2             | R2                  |
| R3                   | R3              | R3         | R3             | R3             | R3                  |
| R4                   | R4              | R4         | R4             | R4             | R4                  |
| R5                   | R5              | R5         | R5             | R5             | R5                  |
| R6                   | R6              | R6         | R6             | R6             | R6                  |
| R7                   | R7              | R7         | R7             | R7             | R7                  |
| R8                   | R8              | R8         | R8             | R8             | R8_FIQ              |
| R9                   | R9              | R9         | R9             | R9             | R9_FIQ              |
| R10                  | R10             | R10        | R10            | R10            | R10_FIQ             |
| R11                  | R11             | R11        | R11            | R11            | R11_FIQ             |
| R12                  | R12             | R12        | R12            | R12            | R12_FIQ             |
| R13                  | R13_SVC         | R13_ABORT  | R13_UNDEF      | R13_IRQ        | R13_FIQ             |
| R14                  | R14_SVC         | R14_ABORT  | R14_UNDEF      | R14_IRQ        | R14_FIQ             |
| PC                   | PC              | PC         | PC             | PC             | PC                  |

|      |          |            |            |          |          |
|------|----------|------------|------------|----------|----------|
| CPSR | CPSR     | CPSR       | CPSR       | CPSR     | CPSR     |
|      | SPSR_SVC | SPSR_ABORT | SPSR_UNDEF | SPSR_IRQ | SPSR_FIQ |

 Mode-specific banked registers

Registers R0 to R7 are unbanked registers. This means that each of them refers to the same 32-bit physical register in all processor modes. They are general-purpose registers, with no special uses managed by the architecture, and can be used wherever an instruction allows a general-purpose register to be specified.

Registers R8 to R14 are banked registers. This means that each of them depends on the current mode of the processor.

### 12.2.4.1 Modes and Exception Handling

All exceptions have banked registers for R14 and R13.

After an exception, R14 holds the return address for exception processing. This address is used to return after the exception is processed, as well as to address the instruction that caused the exception.

R13 is banked across exception modes to provide each exception handler with a private stack pointer.

The fast interrupt mode also banks registers 8 to 12 so that interrupt processing can begin without having to save these registers.

A seventh processing mode, System Mode, does not have any banked registers. It uses the User Mode registers. System Mode runs tasks that require a privileged processor mode and allows them to invoke all classes of exceptions.

#### 12.2.4.2 Status Registers

All other processor states are held in status registers. The current operating processor status is in the Current Program Status Register (CPSR). The CPSR holds:

- four ALU flags (Negative, Zero, Carry, and Overflow)
- two interrupt disable bits (one for each type of interrupt)
- one bit to indicate ARM or Thumb execution
- five bits to encode the current processor mode

All five exception modes also have a Saved Program Status Register (SPSR) that holds the CPSR of the task immediately preceding the exception.

#### 12.2.4.3 Exception Types

The ARM7TDMI supports five types of exception and a privileged processing mode for each type. The types of exceptions are:

- fast interrupt (FIQ)
- normal interrupt (IRQ)
- memory aborts (used to implement memory protection or virtual memory)
- attempted execution of an undefined instruction
- software interrupts (SWIs)

Exceptions are generated by internal and external sources.

More than one exception can occur in the same time.

When an exception occurs, the banked version of R14 and the SPSR for the exception mode are used to save state.

To return after handling the exception, the SPSR is moved to the CPSR, and R14 is moved to the PC. This can be done in two ways:

- by using a data-processing instruction with the S-bit set, and the PC as the destination
- by using the Load Multiple with Restore CPSR instruction (LDM)

#### 12.2.5 ARM Instruction Set Overview

The ARM instruction set is divided into:

- Branch instructions
- Data processing instructions
- Status register transfer instructions
- Load and Store instructions
- Coprocessor instructions
- Exception-generating instructions

ARM instructions can be executed conditionally. Every instruction contains a 4-bit condition code field (bit[31:28]).

[Table 12-2](#) gives the ARM instruction mnemonic list.



**Table 12-2.** ARM Instruction Mnemonic List

| Mnemonic | Operation                           |
|----------|-------------------------------------|
| MOV      | Move                                |
| ADD      | Add                                 |
| SUB      | Subtract                            |
| RSB      | Reverse Subtract                    |
| CMP      | Compare                             |
| TST      | Test                                |
| AND      | Logical AND                         |
| EOR      | Logical Exclusive OR                |
| MUL      | Multiply                            |
| SMULL    | Sign Long Multiply                  |
| SMLAL    | Signed Long Multiply Accumulate     |
| MSR      | Move to Status Register             |
| B        | Branch                              |
| BX       | Branch and Exchange                 |
| LDR      | Load Word                           |
| LDRSH    | Load Signed Halfword                |
| LDRSB    | Load Signed Byte                    |
| LDRH     | Load Half Word                      |
| LDRB     | Load Byte                           |
| LDRBT    | Load Register Byte with Translation |
| LDRT     | Load Register with Translation      |
| LDM      | Load Multiple                       |
| SWP      | Swap Word                           |
| MCR      | Move To Coprocessor                 |
| LDC      | Load To Coprocessor                 |

| Mnemonic | Operation                            |
|----------|--------------------------------------|
| CDP      | Coprocessor Data Processing          |
| MVN      | Move Not                             |
| ADC      | Add with Carry                       |
| SBC      | Subtract with Carry                  |
| RSC      | Reverse Subtract with Carry          |
| CMN      | Compare Negated                      |
| TEQ      | Test Equivalence                     |
| BIC      | Bit Clear                            |
| ORR      | Logical (inclusive) OR               |
| MLA      | Multiply Accumulate                  |
| UMULL    | Unsigned Long Multiply               |
| UMLAL    | Unsigned Long Multiply Accumulate    |
| MRS      | Move From Status Register            |
| BL       | Branch and Link                      |
| SWI      | Software Interrupt                   |
| STR      | Store Word                           |
| STRH     | Store Half Word                      |
| STRB     | Store Byte                           |
| STRBT    | Store Register Byte with Translation |
| STRT     | Store Register with Translation      |
| STM      | Store Multiple                       |
| SWPB     | Swap Byte                            |
| MRC      | Move From Coprocessor                |
| STC      | Store From Coprocessor               |

## 12.2.6 Thumb Instruction Set Overview

The Thumb instruction set is a re-encoded subset of the ARM instruction set.

The Thumb instruction set is divided into:

- Branch instructions
- Data processing instructions
- Load and Store instructions
- Load and Store Multiple instructions
- Exception-generating instruction

In Thumb mode, eight general-purpose registers, R0 to R7, are available that are the same physical registers as R0 to R7 when executing ARM instructions. Some Thumb instructions also access to the Program Counter (ARM Register 15), the Link Register (ARM Register 14) and the

Stack Pointer (ARM Register 13). Further instructions allow limited access to the ARM registers 8 to 15.

Table 12-3 gives the Thumb instruction mnemonic list.

**Table 12-3.** Thumb Instruction Mnemonic List

| Mnemonic | Operation              | Mnemonic | Operation               |
|----------|------------------------|----------|-------------------------|
| MOV      | Move                   | MVN      | Move Not                |
| ADD      | Add                    | ADC      | Add with Carry          |
| SUB      | Subtract               | SBC      | Subtract with Carry     |
| CMP      | Compare                | CMN      | Compare Negated         |
| TST      | Test                   | NEG      | Negate                  |
| AND      | Logical AND            | BIC      | Bit Clear               |
| EOR      | Logical Exclusive OR   | ORR      | Logical (inclusive) OR  |
| LSL      | Logical Shift Left     | LSR      | Logical Shift Right     |
| ASR      | Arithmetic Shift Right | ROR      | Rotate Right            |
| MUL      | Multiply               |          |                         |
| B        | Branch                 | BL       | Branch and Link         |
| BX       | Branch and Exchange    | SWI      | Software Interrupt      |
| LDR      | Load Word              | STR      | Store Word              |
| LDRH     | Load Half Word         | STRH     | Store Half Word         |
| LDRB     | Load Byte              | STRB     | Store Byte              |
| LDRSH    | Load Signed Halfword   | LDRSB    | Load Signed Byte        |
| LDMIA    | Load Multiple          | STMIA    | Store Multiple          |
| PUSH     | Push Register to stack | POP      | Pop Register from stack |

## 13. Debug and Test Features

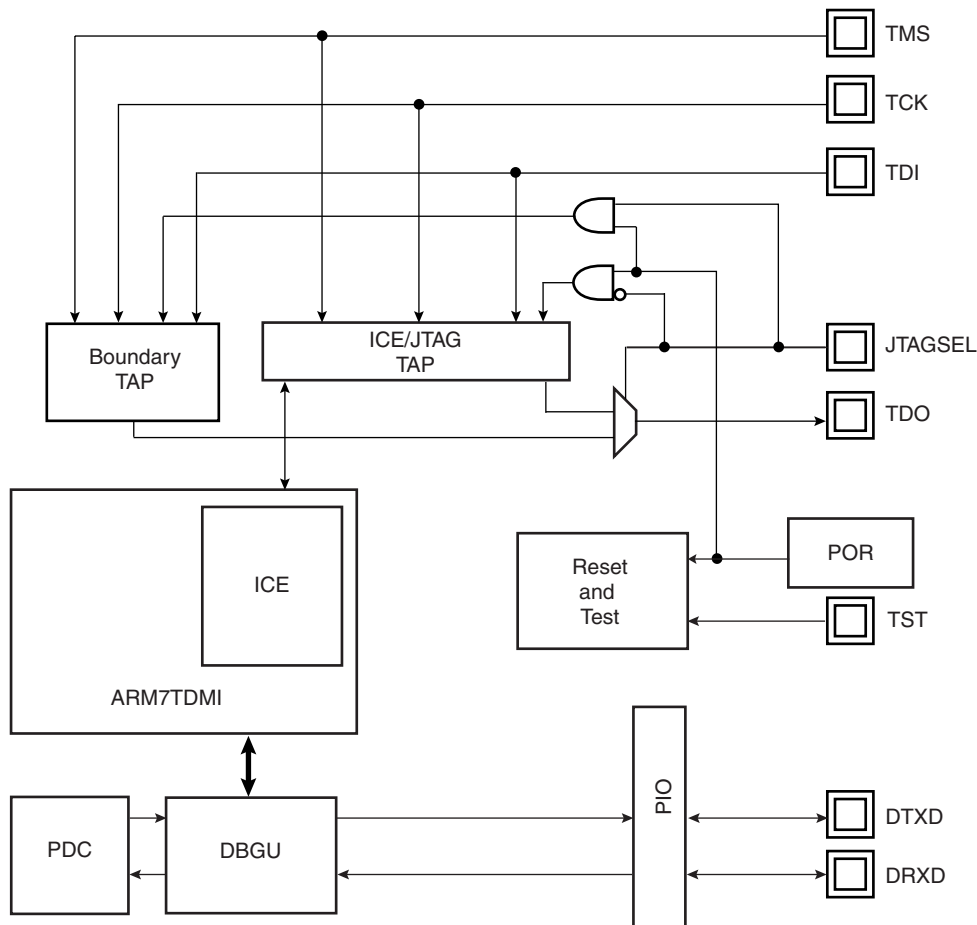
### 13.1 Description

The AT91SAM7X Series features a number of complementary debug and test capabilities. A common JTAG/ICE (In-Circuit Emulator) port is used for standard debugging functions, such as downloading code and single-stepping through programs. The Debug Unit provides a two-pin UART that can be used to upload an application into internal SRAM. It manages the interrupt handling of the internal COMMTX and COMMRX signals that trace the activity of the Debug Communication Channel.

A set of dedicated debug and test input/output pins gives direct access to these capabilities from a PC-based test environment.

### 13.2 Block Diagram

Figure 13-1. Debug and Test Block Diagram

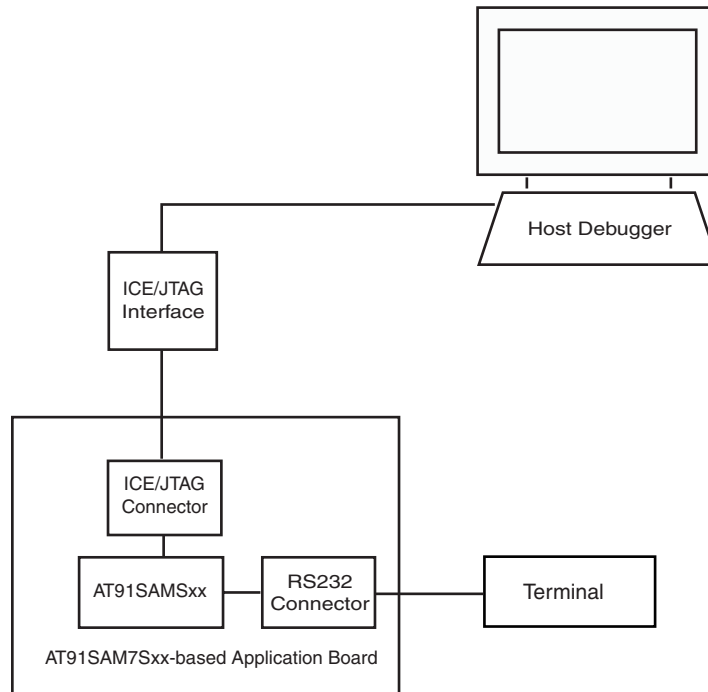


## 13.3 Application Examples

### 13.3.1 Debug Environment

Figure 13-2 shows a complete debug environment example. The ICE/JTAG interface is used for standard debugging functions, such as downloading code and single-stepping through the program.

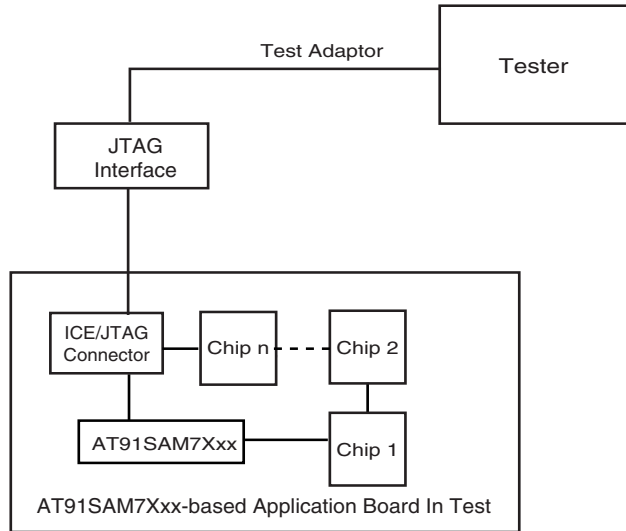
**Figure 13-2.** Application Debug Environment Example



## 13.3.2 Test Environment

Figure 13-3 shows a test environment example. Test vectors are sent and interpreted by the tester. In this example, the “board in test” is designed using a number of JTAG-compliant devices. These devices can be connected to form a single scan chain.

**Figure 13-3.** Application Test Environment Example



## 13.4 Debug and Test Pin Description

**Table 13-1.** Debug and Test Pin List

| Pin Name            | Function              | Type         | Active Level |
|---------------------|-----------------------|--------------|--------------|
| <b>Reset/Test</b>   |                       |              |              |
| NRST                | Microcontroller Reset | Input/Output | Low          |
| TST                 | Test Mode Select      | Input        | High         |
| <b>ICE and JTAG</b> |                       |              |              |
| TCK                 | Test Clock            | Input        |              |
| TDI                 | Test Data In          | Input        |              |
| TDO                 | Test Data Out         | Output       |              |
| TMS                 | Test Mode Select      | Input        |              |
| JTAGSEL             | JTAG Selection        | Input        |              |
| <b>Debug Unit</b>   |                       |              |              |
| DRXD                | Debug Receive Data    | Input        |              |
| DTXD                | Debug Transmit Data   | Output       |              |

## 13.5 Functional Description

### 13.5.1 Test Pin

One dedicated pin, TST, is used to define the device operating mode. The user must make sure that this pin is tied at low level to ensure normal operating conditions. Other values associated with this pin are reserved for manufacturing test.

### 13.5.2 EmbeddedICE™ (Embedded In-circuit Emulator)

The ARM7TDMI EmbeddedICE is supported via the ICE/JTAG port. The internal state of the ARM7TDMI is examined through an ICE/JTAG port.

The ARM7TDMI processor contains hardware extensions for advanced debugging features:

- In halt mode, a store-multiple (STM) can be inserted into the instruction pipeline. This exports the contents of the ARM7TDMI registers. This data can be serially shifted out without affecting the rest of the system.
- In monitor mode, the JTAG interface is used to transfer data between the debugger and a simple monitor program running on the ARM7TDMI processor.

There are three scan chains inside the ARM7TDMI processor that support testing, debugging, and programming of the EmbeddedICE. The scan chains are controlled by the ICE/JTAG port.

EmbeddedICE mode is selected when JTAGSEL is low. It is not possible to switch directly between ICE and JTAG operations. A chip reset must be performed after JTAGSEL is changed.

For further details on the EmbeddedICE, see the ARM7TDMI (Rev4) Technical Reference Manual (DDI0210B).

### 13.5.3 Debug Unit

The Debug Unit provides a two-pin (DXRD and TXRD) USART that can be used for several debug and trace purposes and offers an ideal means for in-situ programming solutions and debug monitor communication. Moreover, the association with two peripheral data controller channels permits packet handling of these tasks with processor time reduced to a minimum.

The Debug Unit also manages the interrupt handling of the COMMTX and COMMRX signals that come from the ICE and that trace the activity of the Debug Communication Channel. The Debug Unit allows blockage of access to the system through the ICE interface.

A specific register, the Debug Unit Chip ID Register, gives information about the product version and its internal configuration.

The AT91SAM7X256 Debug Unit Chip ID value is 0x275B 0940 on 32-bit width.

The AT91SAM7X128 Debug Unit Chip ID value is 0x275A 0740 on 32-bit width.

For further details on the Debug Unit, see the Debug Unit section.

### 13.5.4 IEEE 1149.1 JTAG Boundary Scan

IEEE 1149.1 JTAG Boundary Scan allows pin-level access independent of the device packaging technology.

IEEE 1149.1 JTAG Boundary Scan is enabled when JTAGSEL is high. The SAMPLE, EXTEST and BYPASS functions are implemented. In ICE debug mode, the ARM processor responds

with a non-JTAG chip ID that identifies the processor to the ICE system. This is not IEEE 1149.1 JTAG-compliant.

It is not possible to switch directly between JTAG and ICE operations. A chip reset must be performed after JTAGSEL is changed.

A Boundary-scan Descriptor Language (BSDL) file is provided to set up test.

## 13.5.4.1 JTAG Boundary-scan Register

The Boundary-scan Register (BSR) contains 187 bits that correspond to active pins and associated control signals.

Each AT91SAM7X input/output pin corresponds to a 3-bit register in the BSR. The OUTPUT bit contains data that can be forced on the pad. The INPUT bit facilitates the observability of data applied to the pad. The CONTROL bit selects the direction of the pad.

**Table 13-2.** AT91SAM7X JTAG Boundary Scan Register

| Bit Number | Pin Name            | Pin Type | Associated BSR Cells |
|------------|---------------------|----------|----------------------|
| 187        | PA30/IRQ0/PCK2      | IN/OUT   | INPUT                |
| 186        |                     |          | OUTPUT               |
| 185        |                     |          | CONTROL              |
| 184        | PA0/RXD0            | IN/OUT   | INPUT                |
| 183        |                     |          | OUTPUT               |
| 182        |                     |          | CONTROL              |
| 181        | PA1/TXD0            | IN/OUT   | INPUT                |
| 180        |                     |          | OUTPUT               |
| 179        |                     |          | CONTROL              |
| 178        | PA3/RTS0/SPI1_NPCS2 | IN/OUT   | INPUT                |
| 177        |                     |          | OUTPUT               |
| 176        |                     |          | CONTROL              |
| 175        | PA2/SCK0/SPI1_NPCS1 | IN/OUT   | INPUT                |
| 174        |                     |          | OUTPUT               |
| 173        |                     |          | CONTROL              |
| 172        | PA4/CTS0/SPI1_NPCS3 | IN/OUT   | INPUT                |
| 171        |                     |          | OUTPUT               |
| 170        |                     |          | CONTROL              |
| 169        | PA5/RXD1            | IN/OUT   | INPUT                |
| 168        |                     |          | OUTPUT               |
| 167        |                     |          | CONTROL              |
| 166        | PA6/TXD1            | IN/OUT   | CONTROL              |
| 165        |                     |          | INPUT                |
| 164        |                     |          | OUTPUT               |



**Table 13-2.** AT91SAM7X JTAG Boundary Scan Register (Continued)

| Bit Number | Pin Name             | Pin Type | Associated BSR Cells |
|------------|----------------------|----------|----------------------|
| 163        | PA7/SCK1/SPI0_NPCS1  | IN/OUT   | CONTROL              |
| 162        |                      |          | INPUT                |
| 161        |                      |          | OUTPUT               |
| 160        | ERASE                | IN       | INPUT                |
| 159        | PB27/TIOA2/PWM0/AD0  | IN/OUT   | INPUT                |
| 158        |                      |          | OUTPUT               |
| 157        |                      |          | CONTROL              |
| 156        | PB28/TIOB2/PWM1/AD1  | IN/OUT   | INPUT                |
| 155        |                      |          | OUTPUT               |
| 154        |                      |          | CONTROL              |
| 153        | PB29/PCK1/PWM2/AD2   | IN/OUT   | INPUT                |
| 152        |                      |          | OUTPUT               |
| 151        |                      |          | CONTROL              |
| 150        | PB30/PCK2/PWM3/AD3   | IN/OUT   | INPUT                |
| 149        |                      |          | OUTPUT               |
| 148        |                      |          | CONTROL              |
| 147        | PA8/RTS1/SPI0_NPCS2  | IN/OUT   | INPUT                |
| 146        |                      |          | OUTPUT               |
| 145        |                      |          | CONTROL              |
| 144        | PA9/CTS1/SPI0_NPCS3  | IN/OUT   | INPUT                |
| 143        |                      |          | OUTPUT               |
| 142        |                      |          | CONTROL              |
| 141        | PA10/TWD             | IN/OUT   | INPUT                |
| 140        |                      |          | OUTPUT               |
| 139        |                      |          | CONTROL              |
| 138        | PA11/TWCK            | IN/OUT   | INPUT                |
| 137        |                      |          | OUTPUT               |
| 136        |                      |          | CONTROL              |
| 135        | PA12/SPI0_NPCS0      | IN/OUT   | INPUT                |
| 134        |                      |          | OUTPUT               |
| 133        |                      |          | CONTROL              |
| 132        | PA13/SPI0_NPCS1/PCK1 | IN/OUT   | INPUT                |
| 131        |                      |          | OUTPUT               |
| 130        |                      |          | CONTROL              |



**Table 13-2.** AT91SAM7X JTAG Boundary Scan Register (Continued)

| Bit Number | Pin Name              | Pin Type | Associated BSR Cells |
|------------|-----------------------|----------|----------------------|
| 129        | PA14/SPI0_NPCS2/IRQ1  | IN/OUT   | INPUT                |
| 128        |                       |          | OUTPUT               |
| 127        |                       |          | CONTROL              |
| 126        | PA15/SPI0_NPCS3/TCLK2 | IN/OUT   | INPUT                |
| 125        |                       |          | OUTPUT               |
| 124        |                       |          | CONTROL              |
| 123        | PA16/SPI0_MISO        | IN/OUT   | INPUT                |
| 122        |                       |          | OUTPUT               |
| 121        |                       |          | CONTROL              |
| 120        | PA17/SPI0_MOSI        | IN/OUT   | INPUT                |
| 119        |                       |          | OUTPUT               |
| 118        |                       |          | CONTROL              |
| 117        | PA18/SPI0_SPCK        | IN/OUT   | INPUT                |
| 116        |                       |          | OUTPUT               |
| 115        |                       |          | CONTROL              |
| 114        | PB9/EMDIO             | IN/OUT   | INPUT                |
| 113        |                       |          | OUTPUT               |
| 112        |                       |          | CONTROL              |
| 111        | PB8/EMDC              | IN/OUT   | INPUT                |
| 110        |                       |          | OUTPUT               |
| 109        |                       |          | CONTROL              |
| 108        | PB14/ERX3/SPI0_NPCS2  | IN/OUT   | INPUT                |
| 107        |                       |          | OUTPUT               |
| 106        |                       |          | CONTROL              |
| 105        | PB13/ERX2/SPI0_NPCS1  | IN/OUT   | INPUT                |
| 104        |                       |          | OUTPUT               |
| 103        |                       |          | CONTROL              |
| 102        | PB6/ERX1              | IN/OUT   | INPUT                |
| 101        |                       |          | OUTPUT               |
| 100        |                       |          | CONTROL              |
| 99         | PB5/ERX0              | IN/OUT   | INPUT                |
| 98         |                       |          | OUTPUT               |
| 97         |                       |          | CONTROL              |

**Table 13-2. AT91SAM7X JTAG Boundary Scan Register (Continued)**

| Bit Number | Pin Name              | Pin Type              | Associated BSR Cells |
|------------|-----------------------|-----------------------|----------------------|
| 96         | PB15/ERXDV/ECRSDV     | IN/OUT                | INPUT                |
| 95         |                       |                       | OUTPUT               |
| 94         |                       |                       | CONTROL              |
| 93         | PB17/ERXCK/SPI0_NPCS3 | IN/OUT                | INPUT                |
| 92         |                       |                       | OUTPUT               |
| 91         |                       |                       | CONTROL              |
| 90         | PB7/ERXER             | IN/OUT                | INPUT                |
| 89         |                       |                       | OUTPUT               |
| 88         |                       |                       | CONTROL              |
| 87         | PB12/ETXER/TCLK0      | IN/OUT                | INPUT                |
| 86         |                       |                       | OUTPUT               |
| 85         |                       |                       | CONTROL              |
| 84         | PB0/ETXCK/EREFCK/PCK0 | PB0/ETXCK/EREFCK/PCK0 | INPUT                |
| 83         |                       |                       | OUTPUT               |
| 82         |                       |                       | CONTROL              |
| 81         | PB1/ETXEN             | PB1/ETXEN             | INPUT                |
| 80         |                       |                       | OUTPUT               |
| 79         |                       |                       | CONTROL              |
| 78         | PB2/ETX0              | PB2/ETX0              | INPUT                |
| 77         |                       |                       | OUTPUT               |
| 76         |                       |                       | CONTROL              |
| 75         | PB3/ETX1              | PB3/ETX1              | INPUT                |
| 74         |                       |                       | OUTPUT               |
| 73         |                       |                       | CONTROL              |
| 72         | PB10/ETX2/SPI1_NPCS1  | IN/OUT                | INPUT                |
| 71         |                       |                       | OUTPUT               |
| 70         |                       |                       | CONTROL              |
| 69         | PB11/ETX3/SPI1_NPCS2  | IN/OUT                | INPUT                |
| 68         |                       |                       | OUTPUT               |
| 67         |                       |                       | CONTROL              |
| 66         | PA19/CANRX            | IN/OUT                | INPUT                |
| 65         |                       |                       | OUTPUT               |
| 64         |                       |                       | CONTROL              |

**Table 13-2.** AT91SAM7X JTAG Boundary Scan Register (Continued)

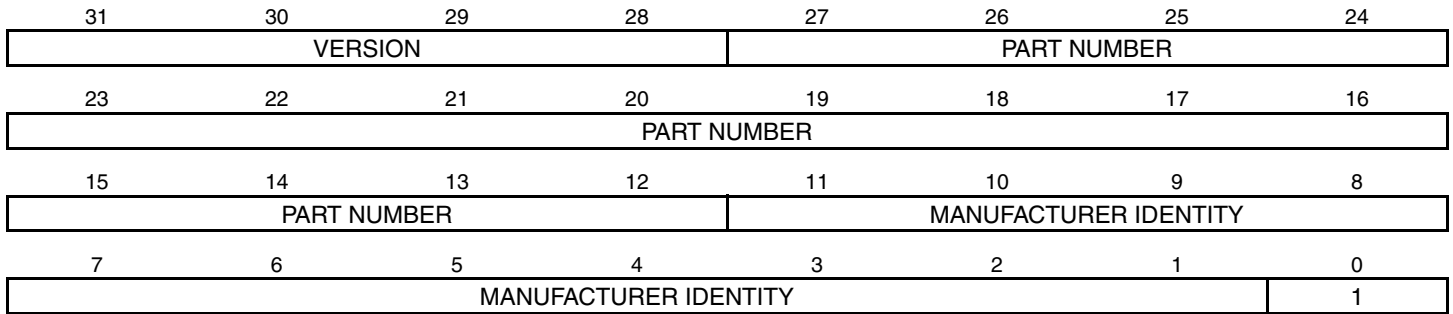
| Bit Number | Pin Name             | Pin Type | Associated BSR Cells |
|------------|----------------------|----------|----------------------|
| 63         | PA20/CANTX           | IN/OUT   | INPUT                |
| 62         |                      |          | OUTPUT               |
| 61         |                      |          | CONTROL              |
| 60         | PA21/TF/SPI1_NPCS0   | IN/OUT   | INPUT                |
| 59         |                      |          | OUTPUT               |
| 58         |                      |          | CONTROL              |
| 57         | PA22/TK/SPI1_SPCK    | IN/OUT   | INPUT                |
| 56         |                      |          | OUTPUT               |
| 55         |                      |          | CONTROL              |
| 54         | PB16/ECOL/SPI1_NPCS3 | IN/OUT   | INPUT                |
| 53         |                      |          | OUTPUT               |
| 52         |                      |          | CONTROL              |
| 51         | PB4/ECRS             | IN/OUT   | INPUT                |
| 50         |                      |          | OUTPUT               |
| 49         |                      |          | CONTROL              |
| 48         | PA23/TD/SPI1_MOSI    | IN/OUT   | INPUT                |
| 47         |                      |          | OUTPUT               |
| 46         |                      |          | CONTROL              |
| 45         | PA24/RD/SPI1_MISO    | IN/OUT   | INPUT                |
| 44         |                      |          | OUTPUT               |
| 43         |                      |          | CONTROL              |
| 42         | PA25/RK/SPI1_NPCS1   | IN/OUT   | INPUT                |
| 41         |                      |          | OUTPUT               |
| 40         |                      |          | CONTROL              |
| 39         | PA26/RF/SPI1_NPCS2   | IN/OUT   | INPUT                |
| 38         |                      |          | OUTPUT               |
| 37         |                      |          | CONTROL              |
| 36         | PB18/EF100/ADTRG     | IN/OUT   | INPUT                |
| 35         |                      |          | OUTPUT               |
| 34         |                      |          | CONTROL              |
| 33         | PB19/PWM0/TCLK1      | IN/OUT   | INPUT                |
| 32         |                      |          | OUTPUT               |
| 31         |                      |          | CONTROL              |

**Table 13-2.** AT91SAM7X JTAG Boundary Scan Register (Continued)

| Bit Number | Pin Name            | Pin Type | Associated BSR Cells |
|------------|---------------------|----------|----------------------|
| 30         | PB20/PWM1/PCK0      | IN/OUT   | INPUT                |
| 29         |                     |          | OUTPUT               |
| 28         |                     |          | CONTROL              |
| 27         | PB21/PWM2/PCK2      | IN/OUT   | INPUT                |
| 26         |                     |          | OUTPUT               |
| 25         |                     |          | CONTROL              |
| 24         | PB22/PWM3/PCK2      | IN/OUT   | INPUT                |
| 23         |                     |          | OUTPUT               |
| 22         |                     |          | CONTROL              |
| 21         | PB23/TIOA0/DCD1     | IN/OUT   | INPUT                |
| 20         |                     |          | OUTPUT               |
| 19         |                     |          | CONTROL              |
| 18         | PB24/TIOB0/DSR1     | IN/OUT   | INPUT                |
| 17         |                     |          | OUTPUT               |
| 16         |                     |          | CONTROL              |
| 15         | PB25/TIOA1/DTR1     | IN/OUT   | INPUT                |
| 14         |                     |          | OUTPUT               |
| 13         |                     |          | CONTROL              |
| 12         | PB26/TIOB1/RI1      | IN/OUT   | INPUT                |
| 11         |                     |          | OUTPUT               |
| 10         |                     |          | CONTROL              |
| 9          | PA27DRXD/PCK3       | IN/OUT   | INPUT                |
| 8          |                     |          | OUTPUT               |
| 7          |                     |          | CONTROL              |
| 6          | PA28/DTXD           | IN/OUT   | INPUT                |
| 5          |                     |          | OUTPUT               |
| 4          |                     |          | CONTROL              |
| 3          | PA29/FIQ/SPI1_NPCS3 | IN/OUT   | INPUT                |
| 2          |                     |          | OUTPUT               |
| 1          |                     |          | CONTROL              |

## 13.5.5 ID Code Register

Access: Read-only



- **VERSION[31:28]: Product Version Number**

Set to 0x0.

- **PART NUMBER[27:12]: Product Part Number**

AT91SAM7X256: 0x5B17

AT91SAM7X128: 0x5B16

- **MANUFACTURER IDENTITY[11:1]**

Set to 0x01F.

Bit[0] Required by IEEE Std. 1149.1.

Set to 0x1.

AT91SAM7X256: JTAG ID Code value is 05B1\_003F

AT91SAM7X128: JTAG ID Code value is 05B0\_F03F



## 14. Reset Controller (RSTC)

### 14.1 Overview

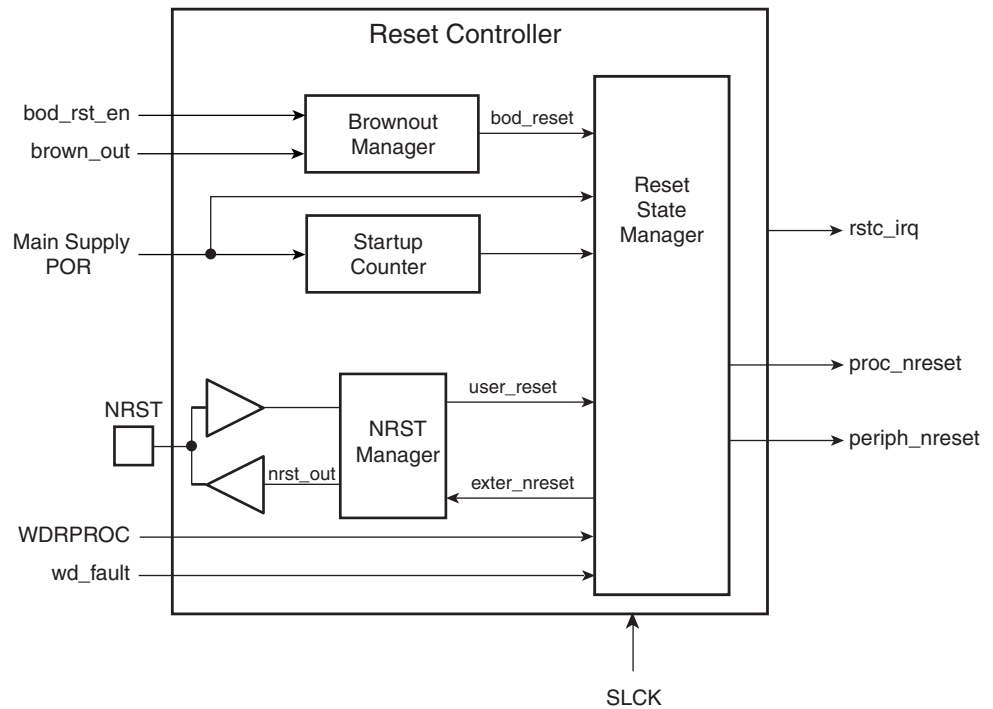
The Reset Controller (RSTC), based on power-on reset cells, handles all the resets of the system without any external components. It reports which reset occurred last.

The Reset Controller also drives independently or simultaneously the external reset and the peripheral and processor resets.

A brownout detection is also available to prevent the processor from falling into an unpredictable state.

### 14.2 Block Diagram

Figure 14-1. Reset Controller Block Diagram



## 14.3 Functional Description

The Reset Controller is made up of an NRST Manager, a Brownout Manager, a Startup Counter and a Reset State Manager. It runs at Slow Clock and generates the following reset signals:

- `proc_nreset`: Processor reset line. It also resets the Watchdog Timer.
- `periph_nreset`: Affects the whole set of embedded peripherals.
- `nrst_out`: Drives the NRST pin.

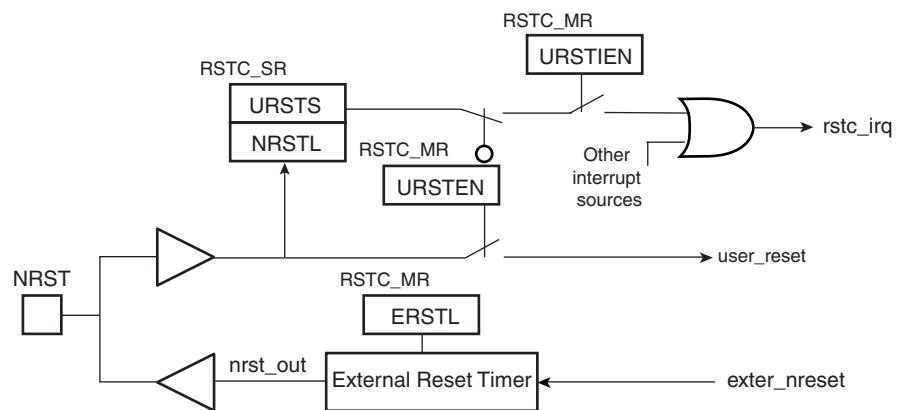
These reset signals are asserted by the Reset Controller, either on external events or on software action. The Reset State Manager controls the generation of reset signals and provides a signal to the NRST Manager when an assertion of the NRST pin is required.

The NRST Manager shapes the NRST assertion during a programmable time, thus controlling external device resets.

### 14.3.1 NRST Manager

The NRST Manager samples the NRST input pin and drives this pin low when required by the Reset State Manager. [Figure 14-2](#) shows the block diagram of the NRST Manager.

**Figure 14-2.** NRST Manager



#### 14.3.1.1 NRST Signal or Interrupt

The NRST Manager samples the NRST pin at Slow Clock speed. When the line is detected low, a User Reset is reported to the Reset State Manager.

However, the NRST Manager can be programmed to not trigger a reset when an assertion of NRST occurs. Writing the bit URSTEN at 0 in RSTC\_MR disables the User Reset trigger.

The level of the pin NRST can be read at any time in the bit NRSTL (NRST level) in RSTC\_SR. As soon as the pin NRST is asserted, the bit URSTS in RSTC\_SR is set. This bit clears only when RSTC\_SR is read.

The Reset Controller can also be programmed to generate an interrupt instead of generating a reset. To do so, the bit URSTIEN in RSTC\_MR must be written at 1.

#### 14.3.1.2 NRST External Reset Control

The Reset State Manager asserts the signal `ext_nreset` to assert the NRST pin. When this occurs, the “`nrst_out`” signal is driven low by the NRST Manager for a time programmed by the field ERSTL in RSTC\_MR. This assertion duration, named EXTERNAL\_RESET\_LENGTH, lasts



$2^{(ERSTL+1)}$  Slow Clock cycles. This gives the approximate duration of an assertion between 60  $\mu$ s and 2 seconds. Note that ERSTL at 0 defines a two-cycle duration for the NRST pulse.

This feature allows the Reset Controller to shape the NRST pin level, and thus to guarantee that the NRST line is driven low for a time compliant with potential external devices connected on the system reset.

## 14.3.2 Brownout Manager

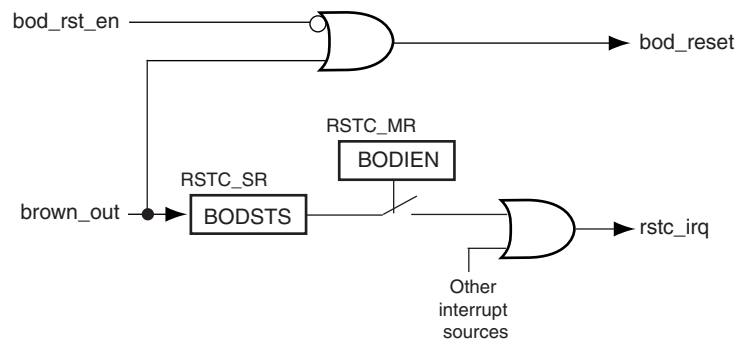
Brownout detection prevents the processor from falling into an unpredictable state if the power supply drops below a certain level. When VDDCORE drops below the brownout threshold, the brownout manager requests a brownout reset by asserting the bod\_reset signal.

The programmer can disable the brownout reset by setting low the bod\_rst\_en input signal, i.e.; by locking the corresponding general-purpose NVM bit in the Flash. When the brownout reset is disabled, no reset is performed. Instead, the brownout detection is reported in the bit BODSTS of RSTC\_SR. BODSTS is set and clears only when RSTC\_SR is read.

The bit BODSTS can trigger an interrupt if the bit BODIEN is set in the RSTC\_MR.

At factory, the brownout reset is disabled.

**Figure 14-3.** Brownout Manager



### 14.3.3 Reset States

The Reset State Manager handles the different reset sources and generates the internal reset signals. It reports the reset status in the field RSTTYP of the Status Register (RSTC\_SR). The update of the field RSTTYP is performed when the processor reset is released.

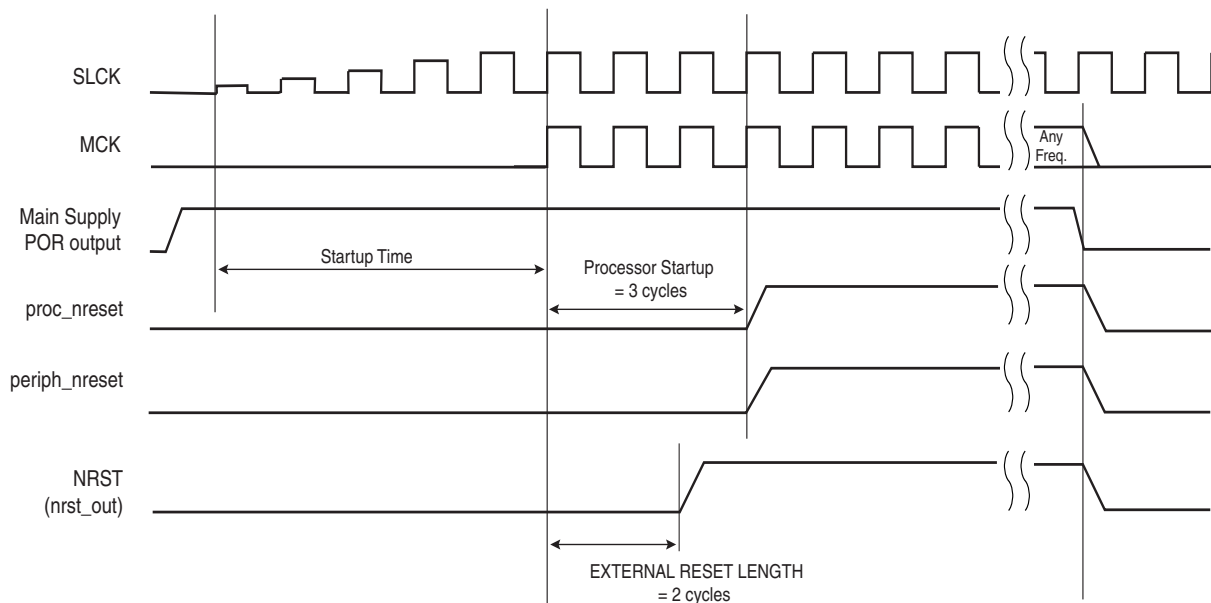
#### 14.3.3.1 Power-up Reset

When VDDCORE is powered on, the Main Supply POR cell output is filtered with a start-up counter that operates at Slow Clock. The purpose of this counter is to ensure that the Slow Clock oscillator is stable before starting up the device.

The startup time, as shown in Figure 14-4, is hardcoded to comply with the Slow Clock Oscillator startup time. After the startup time, the reset signals are released and the field RSTTYP in RSTC\_SR reports a Power-up Reset.

When VDDCORE is detected low by the Main Supply POR Cell, all reset signals are asserted immediately.

**Figure 14-4.** Power-up Reset



## 14.3.3.2 User Reset

The User Reset is entered when a low level is detected on the NRST pin and the bit URSTEN in RSTC\_MR is at 1. The NRST input signal is resynchronized with SLCK to insure proper behavior of the system.

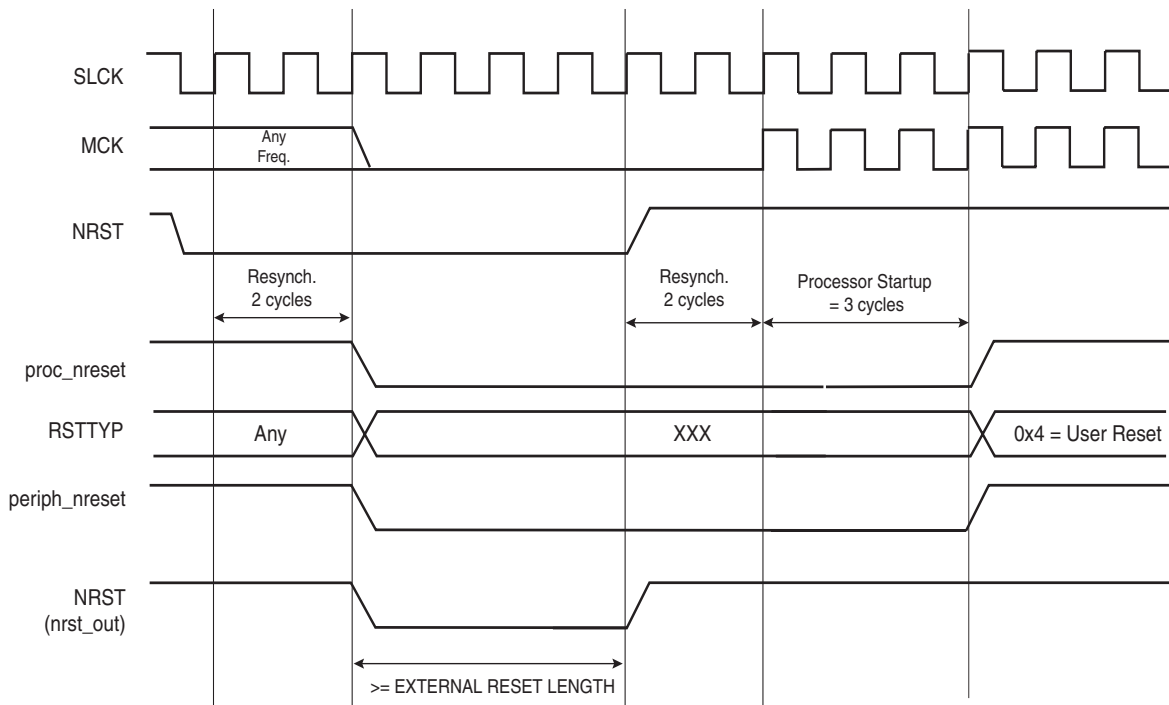
The User Reset is entered as soon as a low level is detected on NRST. The Processor Reset and the Peripheral Reset are asserted.

The User Reset is left when NRST rises, after a two-cycle resynchronization time and a three-cycle processor startup. The processor clock is re-enabled as soon as NRST is confirmed high.

When the processor reset signal is released, the RSTTYP field of the Status Register (RSTC\_SR) is loaded with the value 0x4, indicating a User Reset.

The NRST Manager guarantees that the NRST line is asserted for EXTERNAL\_RESET\_LENGTH Slow Clock cycles, as programmed in the field ERSTL. However, if NRST does not rise after EXTERNAL\_RESET\_LENGTH because it is driven low externally, the internal reset lines remain asserted until NRST actually rises.

**Figure 14-5.** User Reset State



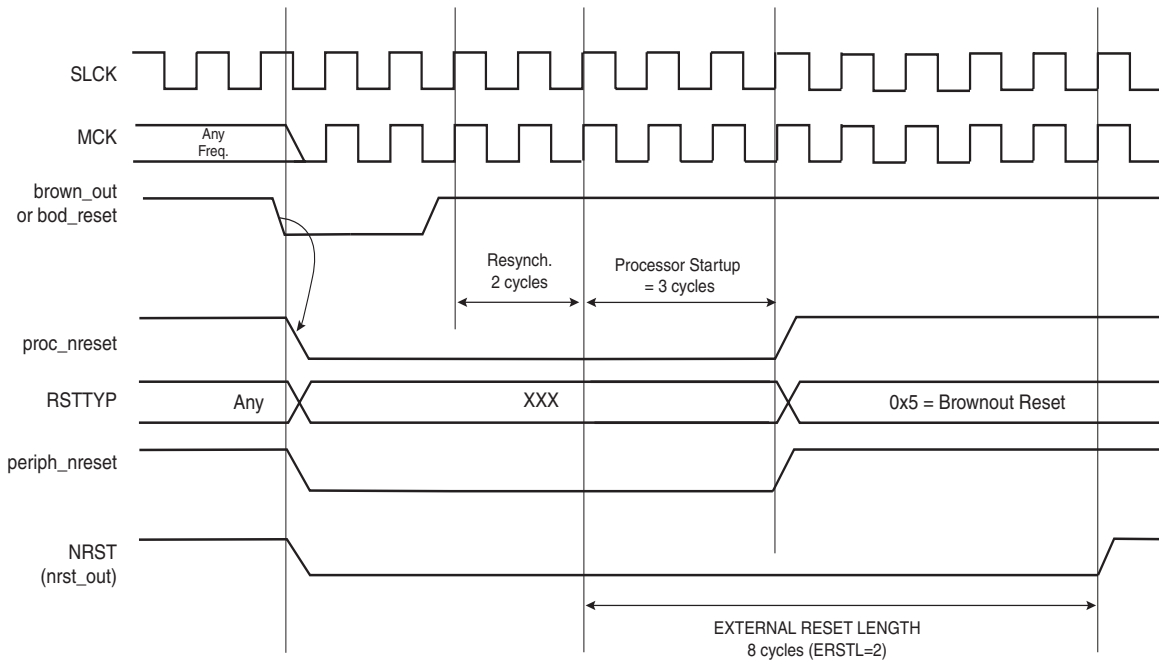
### 14.3.3.3 Brownout Reset

When the brown\_out/bod\_reset signal is asserted, the Reset State Manager immediately enters the Brownout Reset. In this state, the processor, the peripheral and the external reset lines are asserted.

The Brownout Reset is left 3 Slow Clock cycles after the rising edge of brown\_out/bod\_reset after a two-cycle resynchronization. An external reset is also triggered.

When the processor reset is released, the field RSTTYP in RSTC\_SR is loaded with the value 0x5, thus indicating that the last reset is a Brownout Reset.

**Figure 14-6.** Brownout Reset State



## 14.3.3.4 Software Reset

The Reset Controller offers several commands used to assert the different reset signals. These commands are performed by writing the Control Register (RSTC\_CR) with the following bits at 1:

- PROCRST: Writing PROCRST at 1 resets the processor and the watchdog timer.
- PERRST: Writing PERRST at 1 resets all the embedded peripherals, including the memory system, and, in particular, the Remap Command. The Peripheral Reset is generally used for debug purposes.
- EXTRST: Writing EXTRST at 1 asserts low the NRST pin during a time defined by the field ERSTL in the Mode Register (RSTC\_MR).

The software reset is entered if at least one of these bits is set by the software. All these commands can be performed independently or simultaneously. The software reset lasts 3 Slow Clock cycles.

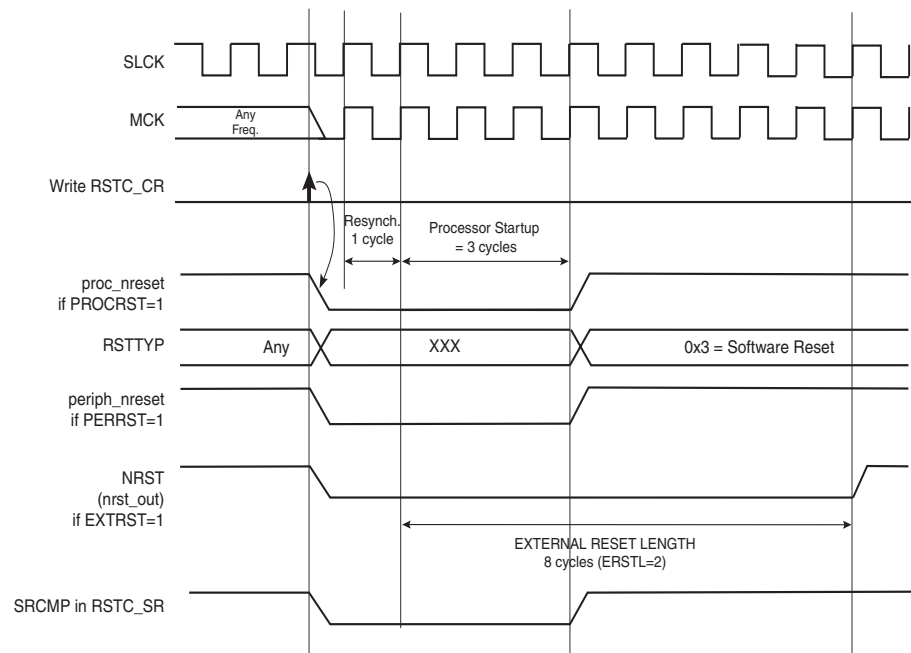
The internal reset signals are asserted as soon as the register write is performed. This is detected on the Master Clock (MCK). They are released when the software reset is left, i.e.; synchronously to SLCK.

If EXTRST is set, the nrst\_out signal is asserted depending on the programming of the field ERSTL. However, the resulting falling edge on NRST does not lead to a User Reset.

If and only if the PROCRST bit is set, the Reset Controller reports the software status in the field RSTTYP of the Status Register (RSTC\_SR). Other Software Resets are not reported in RSTTYP.

As soon as a software operation is detected, the bit SRCMP (Software Reset Command in Progress) is set in the Status Register (RSTC\_SR). It is cleared as soon as the software reset is left. No other software reset can be performed while the SRCMP bit is set, and writing any value in RSTC\_CR has no effect.

**Figure 14-7. Software Reset**



### 14.3.3.5 Watchdog Reset

The Watchdog Reset is entered when a watchdog fault occurs. This state lasts 3 Slow Clock cycles.

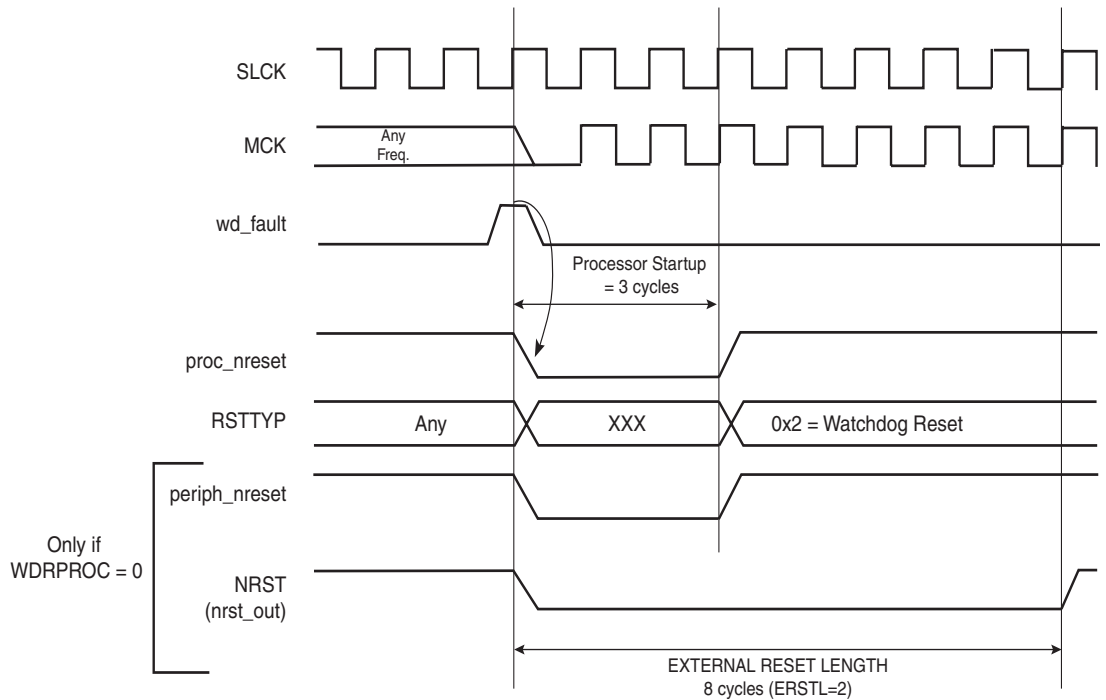
When in Watchdog Reset, assertion of the reset signals depends on the WDRPROC bit in WDT\_MR:

- If WDRPROC is 0, the Processor Reset and the Peripheral Reset are asserted. The NRST line is also asserted, depending on the programming of the field ERSTL. However, the resulting low level on NRST does not result in a User Reset state.
- If WDRPROC = 1, only the processor reset is asserted.

The Watchdog Timer is reset by the proc\_nreset signal. As the watchdog fault always causes a processor reset if WDRSTEN is set, the Watchdog Timer is always reset after a Watchdog Reset, and the Watchdog is enabled by default and with a period set to a maximum.

When the WDRSTEN in WDT\_MR bit is reset, the watchdog fault has no impact on the reset controller.

**Figure 14-8.** Watchdog Reset



## 14.3.4 Reset State Priorities

The Reset State Manager manages the following priorities between the different reset sources, given in descending order:

- Power-up Reset
- Brownout Reset
- Watchdog Reset
- Software Reset
- User Reset

Particular cases are listed below:

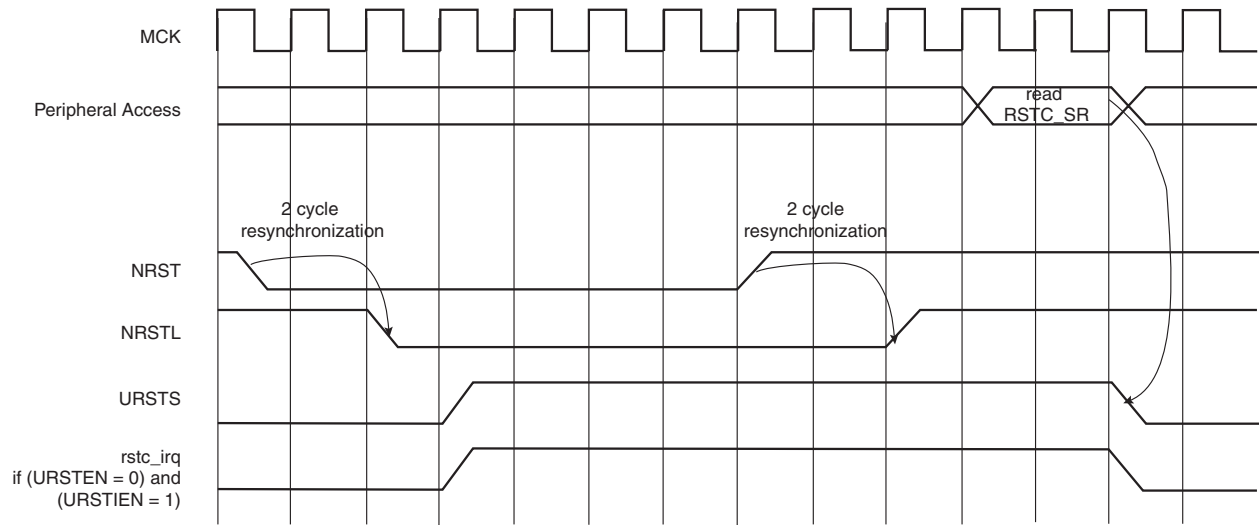
- When in User Reset:
  - A watchdog event is impossible because the Watchdog Timer is being reset by the `proc_nreset` signal.
  - A software reset is impossible, since the processor reset is being activated.
- When in Software Reset:
  - A watchdog event has priority over the current state.
  - The NRST has no effect.
- When in Watchdog Reset:
  - The processor reset is active and so a Software Reset cannot be programmed.
  - A User Reset cannot be entered.

## 14.3.5 Reset Controller Status Register

The Reset Controller status register (`RSTC_SR`) provides several status fields:

- `RSTTYP` field: This field gives the type of the last reset, as explained in previous sections.
- `SRCMP` bit: This field indicates that a Software Reset Command is in progress and that no further software reset should be performed until the end of the current one. This bit is automatically cleared at the end of the current software reset.
- `NRSTL` bit: The `NRSTL` bit of the Status Register gives the level of the NRST pin sampled on each MCK rising edge.
- `URSTS` bit: A high-to-low transition of the NRST pin sets the `URSTS` bit of the `RSTC_SR` register. This transition is also detected on the Master Clock (MCK) rising edge (see [Figure 14-9](#)). If the User Reset is disabled (`URSTEN = 0`) and if the interruption is enabled by the `URSTIEN` bit in the `RSTC_MR` register, the `URSTS` bit triggers an interrupt. Reading the `RSTC_SR` status register resets the `URSTS` bit and clears the interrupt.
- `BODSTS` bit: This bit indicates a brownout detection when the brownout reset is disabled (`bod_rst_en = 0`). It triggers an interrupt if the bit `BODIEN` in the `RSTC_MR` register enables the interrupt. Reading the `RSTC_SR` register resets the `BODSTS` bit and clears the interrupt.

**Figure 14-9. Reset Controller Status and Interrupt**





## 14.4 Reset Controller (RSTC) User Interface

**Table 14-1.** Reset Controller (RSTC) Register Mapping

| Offset | Register         | Name    | Access     | Reset Value |
|--------|------------------|---------|------------|-------------|
| 0x00   | Control Register | RSTC_CR | Write-only | -           |
| 0x04   | Status Register  | RSTC_SR | Read-only  | 0x0000_0000 |
| 0x08   | Mode Register    | RSTC_MR | Read/Write | 0x0000_0000 |

### 14.4.1 Reset Controller Control Register

**Register Name:** RSTC\_CR

**Access Type:** Write-only

|     |    |    |    |        |        |    |         |
|-----|----|----|----|--------|--------|----|---------|
| 31  | 30 | 29 | 28 | 27     | 26     | 25 | 24      |
| KEY |    |    |    |        |        |    |         |
| 23  | 22 | 21 | 20 | 19     | 18     | 17 | 16      |
| -   | -  | -  | -  | -      | -      | -  | -       |
| 15  | 14 | 13 | 12 | 11     | 10     | 9  | 8       |
| -   | -  | -  | -  | -      | -      | -  | -       |
| 7   | 6  | 5  | 4  | 3      | 2      | 1  | 0       |
| -   | -  | -  | -  | EXTRST | PERRST | -  | PROCRST |

- **PROCRST: Processor Reset**

0 = No effect.

1 = If KEY is correct, resets the processor.

- **PERRST: Peripheral Reset**

0 = No effect.

1 = If KEY is correct, resets the peripherals.

- **EXTRST: External Reset**

0 = No effect.

1 = If KEY is correct, asserts the NRST pin.

- **KEY: Password**

Should be written at value 0xA5. Writing any other value in this field aborts the write operation.

## 14.4.2 Reset Controller Status Register

**Register Name:** RSTC\_SR

**Access Type:** Read-only

|    |    |    |    |    |        |        |       |
|----|----|----|----|----|--------|--------|-------|
| 31 | 30 | 29 | 28 | 27 | 26     | 25     | 24    |
| –  | –  | –  | –  | –  | –      | –      | –     |
| 23 | 22 | 21 | 20 | 19 | 18     | 17     | 16    |
| –  | –  | –  | –  | –  | –      | SRCMP  | NRSTL |
| 15 | 14 | 13 | 12 | 11 | 10     | 9      | 8     |
| –  | –  | –  | –  | –  | RSTTYP |        |       |
| 7  | 6  | 5  | 4  | 3  | 2      | 1      | 0     |
| –  | –  | –  | –  | –  | –      | BODSTS | URSTS |

- **URSTS: User Reset Status**

0 = No high-to-low edge on NRST happened since the last read of RSTC\_SR.

1 = At least one high-to-low transition of NRST has been detected since the last read of RSTC\_SR.

- **BODSTS: Brownout Detection Status**

0 = No brownout high-to-low transition happened since the last read of RSTC\_SR.

1 = A brownout high-to-low transition has been detected since the last read of RSTC\_SR.

- **RSTTYP: Reset Type**

Reports the cause of the last processor reset. Reading this RSTC\_SR does not reset this field.

| RSTTYP |   |   | Reset Type     | Comments                                 |
|--------|---|---|----------------|--|
| 0      | 0 | 0 | Power-up Reset | VDDCORE rising                           |
| 0      | 1 | 0 | Watchdog Reset | Watchdog fault occurred                  |
| 0      | 1 | 1 | Software Reset | Processor reset required by the software |
| 1      | 0 | 0 | User Reset     | NRST pin detected low                    |
| 1      | 0 | 1 | Brownout Reset | BrownOut reset occurred                  |

- **NRSTL: NRST Pin Level**

Registers the NRST Pin Level at Master Clock (MCK).

- **SRCMP: Software Reset Command in Progress**

0 = No software command is being performed by the reset controller. The reset controller is ready for a software command.

1 = A software reset command is being performed by the reset controller. The reset controller is busy.

### 14.4.3 Reset Controller Mode Register

**Register Name:** RSTC\_MR

**Access Type:** Read/Write

|     |    |    |         |       |    |    |        |
|-----|----|----|---------|-------|----|----|--------|
| 31  | 30 | 29 | 28      | 27    | 26 | 25 | 24     |
| KEY |    |    |         |       |    |    |        |
| 23  | 22 | 21 | 20      | 19    | 18 | 17 | 16     |
| -   | -  | -  | -       | -     | -  | -  | BODIEN |
| 15  | 14 | 13 | 12      | 11    | 10 | 9  | 8      |
| -   | -  | -  | -       | ERSTL |    |    |        |
| 7   | 6  | 5  | 4       | 3     | 2  | 1  | 0      |
| -   | -  | -  | URSTIEN | -     | -  | -  | URSTEN |

- **URSTEN: User Reset Enable**

0 = The detection of a low level on the pin NRST does not generate a User Reset.

1 = The detection of a low level on the pin NRST triggers a User Reset.

- **URSTIEN: User Reset Interrupt Enable**

0 = USRTS bit in RSTC\_SR at 1 has no effect on rstc\_irq.

1 = USRTS bit in RSTC\_SR at 1 asserts rstc\_irq if URSTEN = 0.

- **BODIEN: Brownout Detection Interrupt Enable**

0 = BODSTS bit in RSTC\_SR at 1 has no effect on rstc\_irq.

1 = BODSTS bit in RSTC\_SR at 1 asserts rstc\_irq.

- **ERSTL: External Reset Length**

This field defines the external reset length. The external reset is asserted during a time of  $2^{(ERSTL+1)}$  Slow Clock cycles. This allows assertion duration to be programmed between 60  $\mu$ s and 2 seconds.

- **KEY: Password**

Should be written at value 0xA5. Writing any other value in this field aborts the write operation.

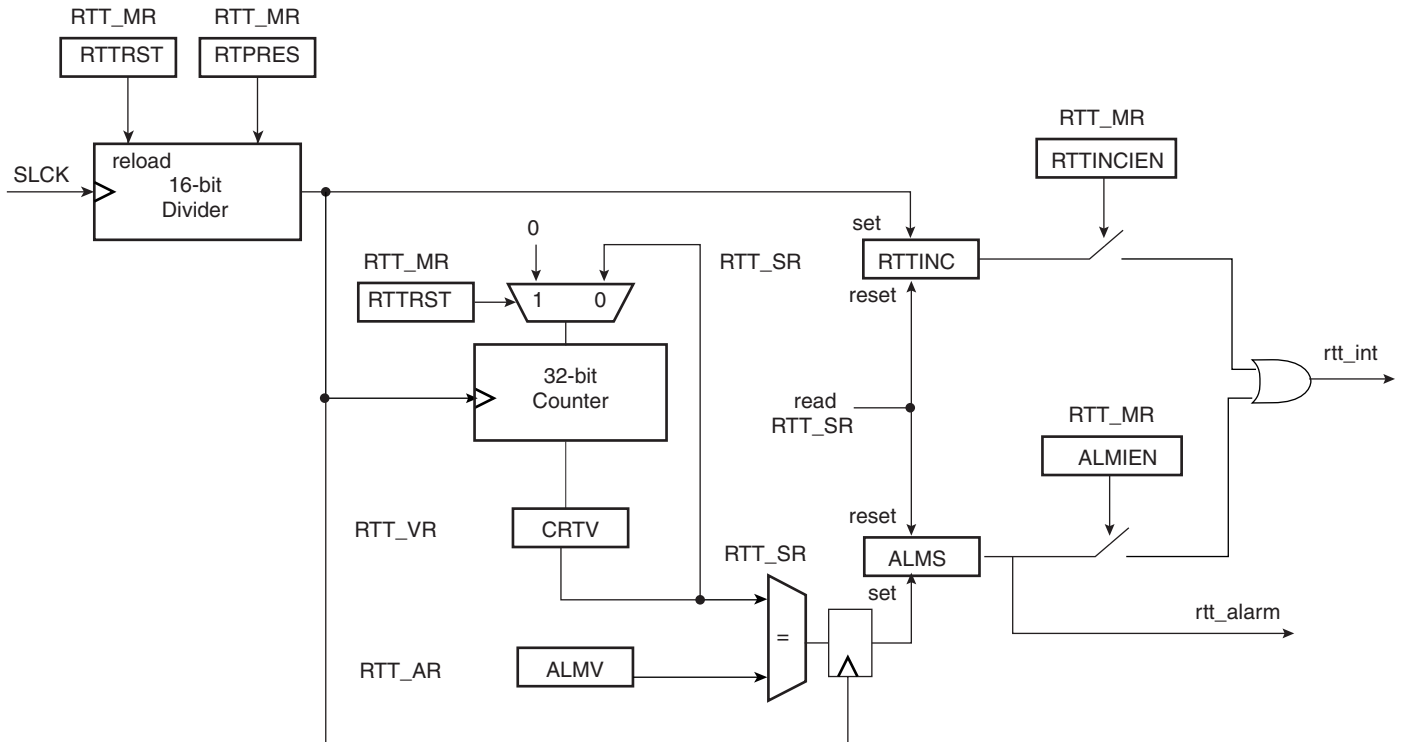
## 15. Real-time Timer (RTT)

### 15.1 Overview

The Real-time Timer is built around a 32-bit counter and used to count elapsed seconds. It generates a periodic interrupt or/and triggers an alarm on a programmed value.

### 15.2 Block Diagram

Figure 15-1. Real-time Timer



### 15.3 Functional Description

The Real-time Timer is used to count elapsed seconds. It is built around a 32-bit counter fed by Slow Clock divided by a programmable 16-bit value. The value can be programmed in the field RTPRES of the Real-time Mode Register (RTT\_MR).

Programming RTPRES at 0x00008000 corresponds to feeding the real-time counter with a 1 Hz signal (if the Slow Clock is 32.768 Hz). The 32-bit counter can count up to  $2^{32}$  seconds, corresponding to more than 136 years, then roll over to 0.

The Real-time Timer can also be used as a free-running timer with a lower time-base. The best accuracy is achieved by writing RTPRES to 3. Programming RTPRES to 1 or 2 is possible, but may result in losing status events because the status register is cleared two Slow Clock cycles after read. Thus if the RTT is configured to trigger an interrupt, the interrupt occurs during 2 Slow Clock cycles after reading RTT\_SR. To prevent several executions of the interrupt handler, the interrupt must be disabled in the interrupt handler and re-enabled when the status register is clear.

The Real-time Timer value (CRTV) can be read at any time in the register RTT\_VR (Real-time Value Register). As this value can be updated asynchronously from the Master Clock, it is advisable to read this register twice at the same value to improve accuracy of the returned value.

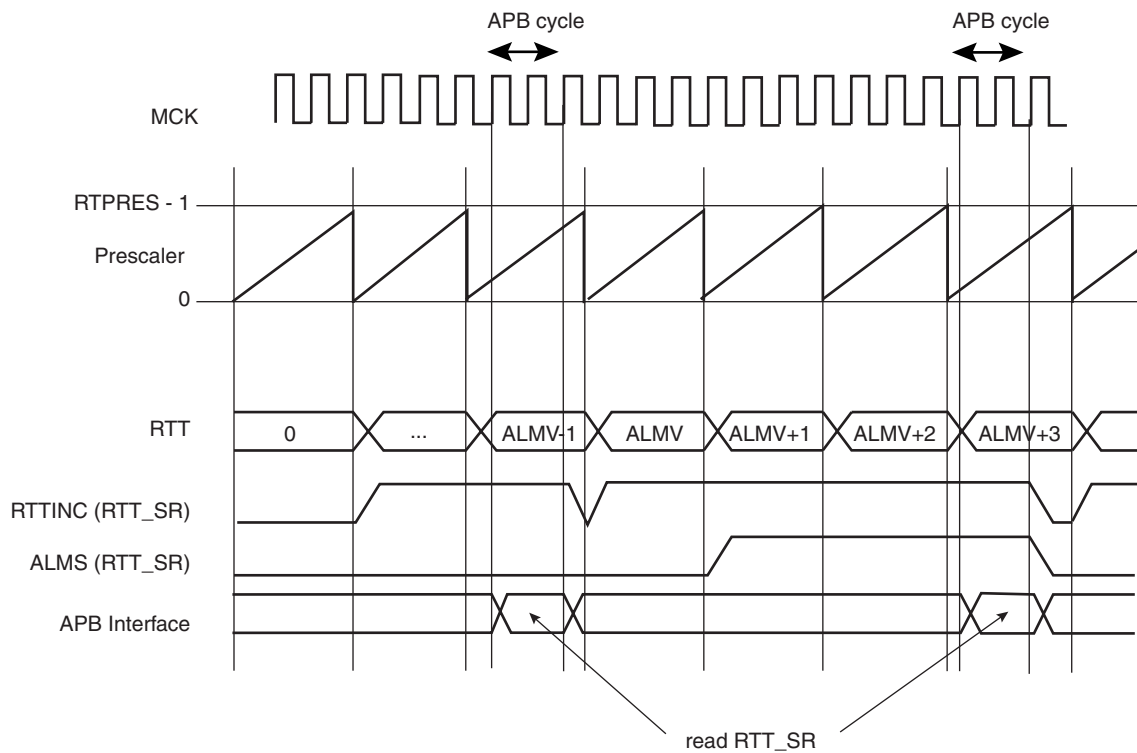
The current value of the counter is compared with the value written in the alarm register RTT\_AR (Real-time Alarm Register). If the counter value matches the alarm, the bit ALMS in RTT\_SR is set. The alarm register is set to its maximum value, corresponding to 0xFFFF\_FFFF, after a reset.

The bit RTTINC in RTT\_SR is set each time the Real-time Timer counter is incremented. This bit can be used to start a periodic interrupt, the period being one second when the RTPRES is programmed with 0x8000 and Slow Clock equal to 32.768 Hz.

Reading the RTT\_SR status register resets the RTTINC and ALMS fields.

Writing the bit RTTRST in RTT\_MR immediately reloads and restarts the clock divider with the new programmed value. This also resets the 32-bit counter.

**Figure 15-2.** RTT Counting



**15.4 Real-time Timer (RTT) User Interface****Table 15-1.** Real-time Timer (RTT) Register Mapping

| <b>Offset</b> | <b>Register</b> | <b>Name</b> | <b>Access</b> | <b>Reset Value</b> |
|---------------|-----------------|-------------|---------------|--------------------|
| 0x00          | Mode Register   | RTT_MR      | Read/Write    | 0x0000_8000        |
| 0x04          | Alarm Register  | RTT_AR      | Read/Write    | 0xFFFF_FFFF        |
| 0x08          | Value Register  | RTT_VR      | Read-only     | 0x0000_0000        |
| 0x0C          | Status Register | RTT_SR      | Read-only     | 0x0000_0000        |

### 15.4.1 Real-time Timer Mode Register

**Register Name:** RTT\_MR

**Access Type:** Read/Write

|        |    |    |    |    |        |           |        |
|--------|----|----|----|----|--------|-----------|--------|
| 31     | 30 | 29 | 28 | 27 | 26     | 25        | 24     |
| –      | –  | –  | –  | –  | –      | –         | –      |
| 23     | 22 | 21 | 20 | 19 | 18     | 17        | 16     |
| –      | –  | –  | –  | –  | RTTRST | RTTINCIEN | ALMIEN |
| 15     | 14 | 13 | 12 | 11 | 10     | 9         | 8      |
| RTPRES |    |    |    |    |        |           |        |
| 7      | 6  | 5  | 4  | 3  | 2      | 1         | 0      |
| RTPRES |    |    |    |    |        |           |        |

- **RTPRES: Real-time Timer Prescaler Value**

Defines the number of SLCK periods required to increment the real-time timer. RTPRES is defined as follows:

RTPRES = 0: The Prescaler Period is equal to  $2^{16}$

RTPRES  $\neq$  0: The Prescaler Period is equal to RTPRES.

- **ALMIEN: Alarm Interrupt Enable**

0 = The bit ALMS in RTT\_SR has no effect on interrupt.

1 = The bit ALMS in RTT\_SR asserts interrupt.

- **RTTINCIEN: Real-time Timer Increment Interrupt Enable**

0 = The bit RTTINC in RTT\_SR has no effect on interrupt.

1 = The bit RTTINC in RTT\_SR asserts interrupt.

- **RTTRST: Real-time Timer Restart**

1 = Reloads and restarts the clock divider with the new programmed value. This also resets the 32-bit counter.



## 15.4.2 Real-time Timer Alarm Register

**Register Name:** RTT\_AR

**Access Type:** Read/Write

|      |    |    |    |    |    |    |    |
|------|----|----|----|----|----|----|----|
| 31   | 30 | 29 | 28 | 27 | 26 | 25 | 24 |
| ALMV |    |    |    |    |    |    |    |
| 23   | 22 | 21 | 20 | 19 | 18 | 17 | 16 |
| ALMV |    |    |    |    |    |    |    |
| 15   | 14 | 13 | 12 | 11 | 10 | 9  | 8  |
| ALMV |    |    |    |    |    |    |    |
| 7    | 6  | 5  | 4  | 3  | 2  | 1  | 0  |
| ALMV |    |    |    |    |    |    |    |

- **ALMV: Alarm Value**

Defines the alarm value (ALMV+1) compared with the Real-time Timer.

## 15.4.3 Real-time Timer Value Register

**Register Name:** RTT\_VR

**Access Type:** Read-only

|      |    |    |    |    |    |    |    |
|------|----|----|----|----|----|----|----|
| 31   | 30 | 29 | 28 | 27 | 26 | 25 | 24 |
| CRTV |    |    |    |    |    |    |    |
| 23   | 22 | 21 | 20 | 19 | 18 | 17 | 16 |
| CRTV |    |    |    |    |    |    |    |
| 15   | 14 | 13 | 12 | 11 | 10 | 9  | 8  |
| CRTV |    |    |    |    |    |    |    |
| 7    | 6  | 5  | 4  | 3  | 2  | 1  | 0  |
| CRTV |    |    |    |    |    |    |    |

- **CRTV: Current Real-time Value**

Returns the current value of the Real-time Timer.



#### 15.4.4 Real-time Timer Status Register

Register Name: RTT\_SR

Access Type: Read-only

|    |    |    |    |    |    |        |      |
|----|----|----|----|----|----|--------|------|
| 31 | 30 | 29 | 28 | 27 | 26 | 25     | 24   |
| –  | –  | –  | –  | –  | –  | –      | –    |
| 23 | 22 | 21 | 20 | 19 | 18 | 17     | 16   |
| –  | –  | –  | –  | –  | –  | –      | –    |
| 15 | 14 | 13 | 12 | 11 | 10 | 9      | 8    |
| –  | –  | –  | –  | –  | –  | –      | –    |
| 7  | 6  | 5  | 4  | 3  | 2  | 1      | 0    |
| –  | –  | –  | –  | –  | –  | RTTINC | ALMS |

- **ALMS: Real-time Alarm Status**

0 = The Real-time Alarm has not occurred since the last read of RTT\_SR.

1 = The Real-time Alarm occurred since the last read of RTT\_SR.

- **RTTINC: Real-time Timer Increment**

0 = The Real-time Timer has not been incremented since the last read of the RTT\_SR.

1 = The Real-time Timer has been incremented since the last read of the RTT\_SR.

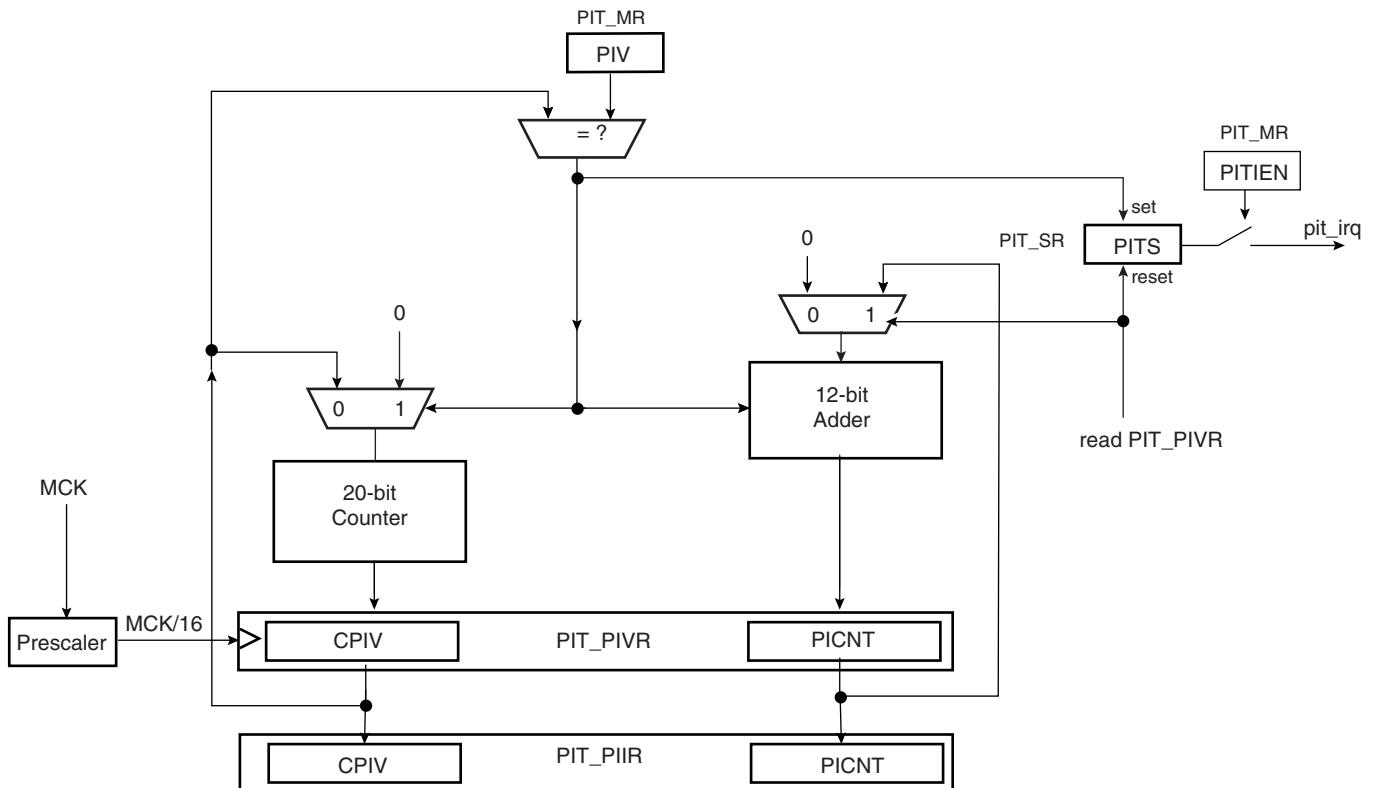
## 16. Periodic Interval Timer (PIT)

### 16.1 Overview

The Periodic Interval Timer (PIT) provides the operating system's scheduler interrupt. It is designed to offer maximum accuracy and efficient management, even for systems with long response time.

### 16.2 Block Diagram

Figure 16-1. Periodic Interval Timer



## 16.3 Functional Description

The Periodic Interval Timer aims at providing periodic interrupts for use by operating systems.

The PIT provides a programmable overflow counter and a reset-on-read feature. It is built around two counters: a 20-bit CPIV counter and a 12-bit PICNT counter. Both counters work at Master Clock /16.

The first 20-bit CPIV counter increments from 0 up to a programmable overflow value set in the field PIV of the Mode Register (PIT\_MR). When the counter CPIV reaches this value, it resets to 0 and increments the Periodic Interval Counter, PICNT. The status bit PITS in the Status Register (PIT\_SR) rises and triggers an interrupt, provided the interrupt is enabled (PITIEN in PIT\_MR).

Writing a new PIV value in PIT\_MR does not reset/restart the counters.

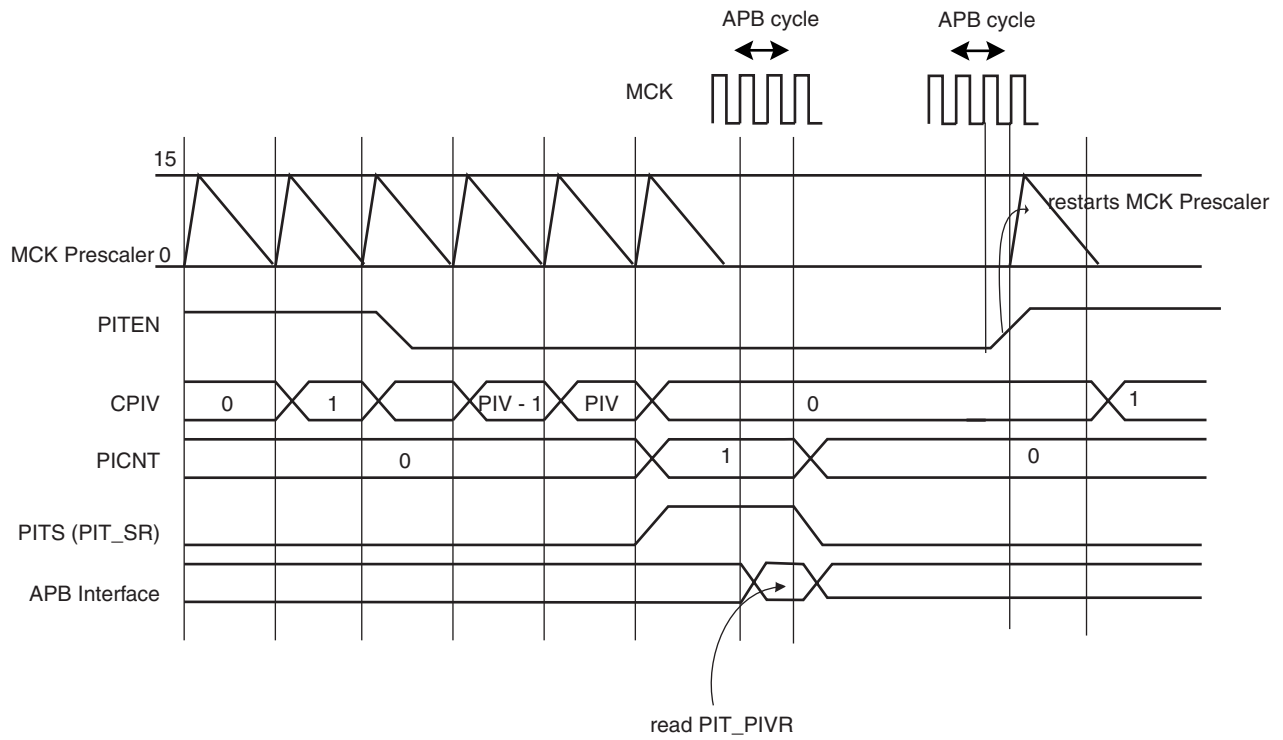
When CPIV and PICNT values are obtained by reading the Periodic Interval Value Register (PIT\_PIVR), the overflow counter (PICNT) is reset and the PITS is cleared, thus acknowledging the interrupt. The value of PICNT gives the number of periodic intervals elapsed since the last read of PIT\_PIVR.

When CPIV and PICNT values are obtained by reading the Periodic Interval Image Register (PIT\_PIIIR), there is no effect on the counters CPIV and PICNT, nor on the bit PITS. For example, a profiler can read PIT\_PIIIR without clearing any pending interrupt, whereas a timer interrupt clears the interrupt by reading PIT\_PIVR.

The PIT may be enabled/disabled using the PITEN bit in the PIT\_MR register (disabled on reset). The PITEN bit only becomes effective when the CPIV value is 0. [Figure 16-2](#) illustrates the PIT counting. After the PIT Enable bit is reset (PITEN= 0), the CPIV goes on counting until the PIV value is reached, and is then reset. PIT restarts counting, only if the PITEN is set again.

The PIT is stopped when the core enters debug state.

**Figure 16-2.** Enabling/Disabling PIT with PITEN



## 16.4 Periodic Interval Timer (PIT) User Interface

**Table 16-1.** Periodic Interval Timer (PIT) Register Mapping

| Offset | Register                         | Name     | Access     | Reset Value |
|--------|----------------------------------|----------|------------|-------------|
| 0x00   | Mode Register                    | PIT_MR   | Read/Write | 0x000F_FFFF |
| 0x04   | Status Register                  | PIT_SR   | Read-only  | 0x0000_0000 |
| 0x08   | Periodic Interval Value Register | PIT_PIVR | Read-only  | 0x0000_0000 |
| 0x0C   | Periodic Interval Image Register | PIT_PIIR | Read-only  | 0x0000_0000 |

## 16.4.1 Periodic Interval Timer Mode Register

**Register Name:** PIT\_MR

**Access Type:** Read/Write

|     |    |    |    |     |    |        |       |
|-----|----|----|----|-----|----|--------|-------|
| 31  | 30 | 29 | 28 | 27  | 26 | 25     | 24    |
| –   | –  | –  | –  | –   | –  | PITIEN | PITEN |
| 23  | 22 | 21 | 20 | 19  | 18 | 17     | 16    |
| –   | –  | –  | –  | PIV |    |        |       |
| 15  | 14 | 13 | 12 | 11  | 10 | 9      | 8     |
| PIV |    |    |    |     |    |        |       |
| 7   | 6  | 5  | 4  | 3   | 2  | 1      | 0     |
| PIV |    |    |    |     |    |        |       |

- **PIV: Periodic Interval Value**

Defines the value compared with the primary 20-bit counter of the Periodic Interval Timer (CPIV). The period is equal to (PIV + 1).

- **PITEN: Period Interval Timer Enabled**

0 = The Periodic Interval Timer is disabled when the PIV value is reached.

1 = The Periodic Interval Timer is enabled.

- **PITIEN: Periodic Interval Timer Interrupt Enable**

0 = The bit PITS in PIT\_SR has no effect on interrupt.

1 = The bit PITS in PIT\_SR asserts interrupt.

## 16.4.2 Periodic Interval Timer Status Register

**Register Name:** PIT\_SR

**Access Type:** Read-only

|    |    |    |    |    |    |    |      |
|----|----|----|----|----|----|----|------|
| 31 | 30 | 29 | 28 | 27 | 26 | 25 | 24   |
| –  | –  | –  | –  | –  | –  | –  | –    |
| 23 | 22 | 21 | 20 | 19 | 18 | 17 | 16   |
| –  | –  | –  | –  | –  | –  | –  | –    |
| 15 | 14 | 13 | 12 | 11 | 10 | 9  | 8    |
| –  | –  | –  | –  | –  | –  | –  | –    |
| 7  | 6  | 5  | 4  | 3  | 2  | 1  | 0    |
| –  | –  | –  | –  | –  | –  | –  | PITS |

- **PITS: Periodic Interval Timer Status**

0 = The Periodic Interval timer has not reached PIV since the last read of PIT\_PIVR.

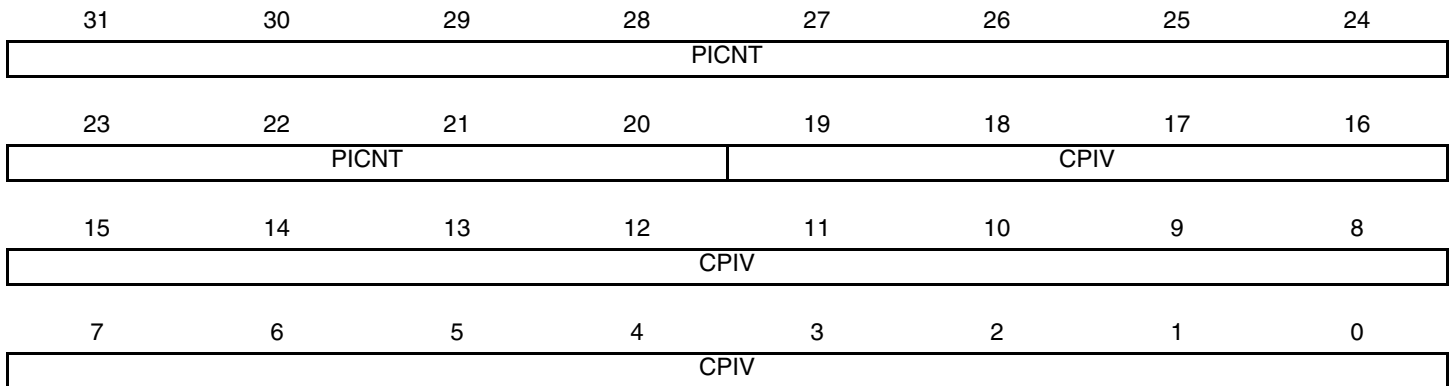
1 = The Periodic Interval timer has reached PIV since the last read of PIT\_PIVR.



### 16.4.3 Periodic Interval Timer Value Register

**Register Name:** PIT\_PIVR

**Access Type:** Read-only



Reading this register clears PITS in PIT\_SR.

• **CPIV: Current Periodic Interval Value**

Returns the current value of the periodic interval timer.

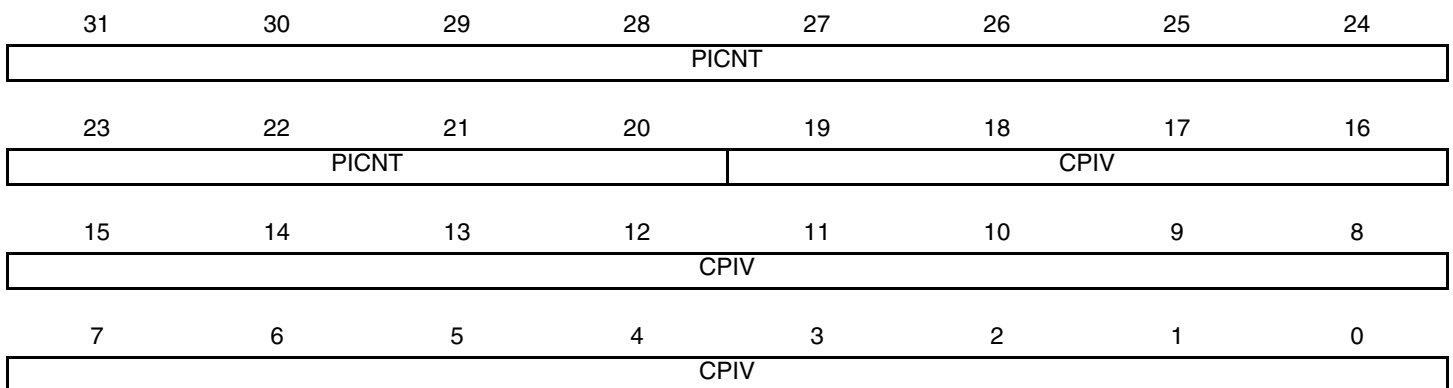
• **PICNT: Periodic Interval Counter**

Returns the number of occurrences of periodic intervals since the last read of PIT\_PIVR.

### 16.4.4 Periodic Interval Timer Image Register

**Register Name:** PIT\_PIIIR

**Access Type:** Read-only



• **CPIV: Current Periodic Interval Value**

Returns the current value of the periodic interval timer.

• **PICNT: Periodic Interval Counter**

Returns the number of occurrences of periodic intervals since the last read of PIT\_PIVR.



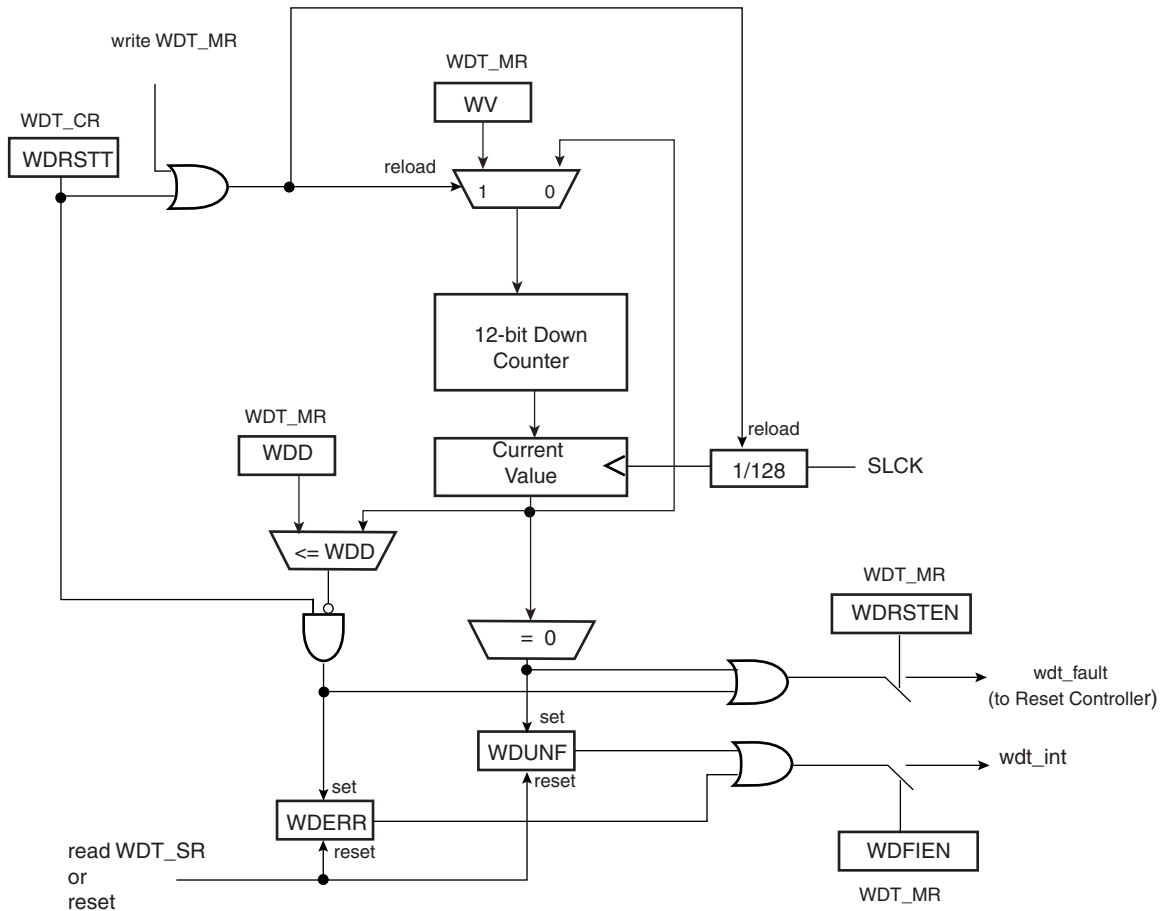
## 17. Watchdog Timer (WDT)

### 17.1 Overview

The Watchdog Timer can be used to prevent system lock-up if the software becomes trapped in a deadlock. It features a 12-bit down counter that allows a watchdog period of up to 16 seconds (slow clock at 32.768 kHz). It can generate a general reset or a processor reset only. In addition, it can be stopped while the processor is in debug mode or idle mode.

### 17.2 Block Diagram

Figure 17-1. Watchdog Timer Block Diagram



## 17.3 Functional Description

The Watchdog Timer can be used to prevent system lock-up if the software becomes trapped in a deadlock. It is supplied with VDDCORE. It restarts with initial values on processor reset.

The Watchdog is built around a 12-bit down counter, which is loaded with the value defined in the field WV of the Mode Register (WDT\_MR). The Watchdog Timer uses the Slow Clock divided by 128 to establish the maximum Watchdog period to be 16 seconds (with a typical Slow Clock of 32.768 kHz).

After a Processor Reset, the value of WV is 0xFFFF, corresponding to the maximum value of the counter with the external reset generation enabled (field WDRSTEN at 1 after a Backup Reset). This means that a default Watchdog is running at reset, i.e., at power-up. The user must either disable it (by setting the WDDIS bit in WDT\_MR) if he does not expect to use it or must reprogram it to meet the maximum Watchdog period the application requires.

The Watchdog Mode Register (WDT\_MR) can be written only once. Only a processor reset resets it. Writing the WDT\_MR register reloads the timer with the newly programmed mode parameters.

In normal operation, the user reloads the Watchdog at regular intervals before the timer underflow occurs, by writing the Control Register (WDT\_CR) with the bit WDRSTT to 1. The Watchdog counter is then immediately reloaded from WDT\_MR and restarted, and the Slow Clock 128 divider is reset and restarted. The WDT\_CR register is write-protected. As a result, writing WDT\_CR without the correct hard-coded key has no effect. If an underflow does occur, the “wdt\_fault” signal to the Reset Controller is asserted if the bit WDRSTEN is set in the Mode Register (WDT\_MR). Moreover, the bit WDUNF is set in the Watchdog Status Register (WDT\_SR).

To prevent a software deadlock that continuously triggers the Watchdog, the reload of the Watchdog must occur in a window defined by 0 and WDD in the WDT\_MR:

$0 \leq \text{WDT} \leq \text{WDD}$ ; writing WDRSTT restarts the Watchdog Timer.

Any attempt to restart the Watchdog Timer in the range [WDV; WDD] results in a Watchdog error, even if the Watchdog is disabled. The bit WDERR is updated in the WDT\_SR and the “wdt\_fault” signal to the Reset Controller is asserted.

Note that this feature can be disabled by programming a WDD value greater than or equal to the WDV value. In such a configuration, restarting the Watchdog Timer is permitted in the whole range [0; WDV] and does not generate an error. This is the default configuration on reset (the WDD and WDV values are equal).

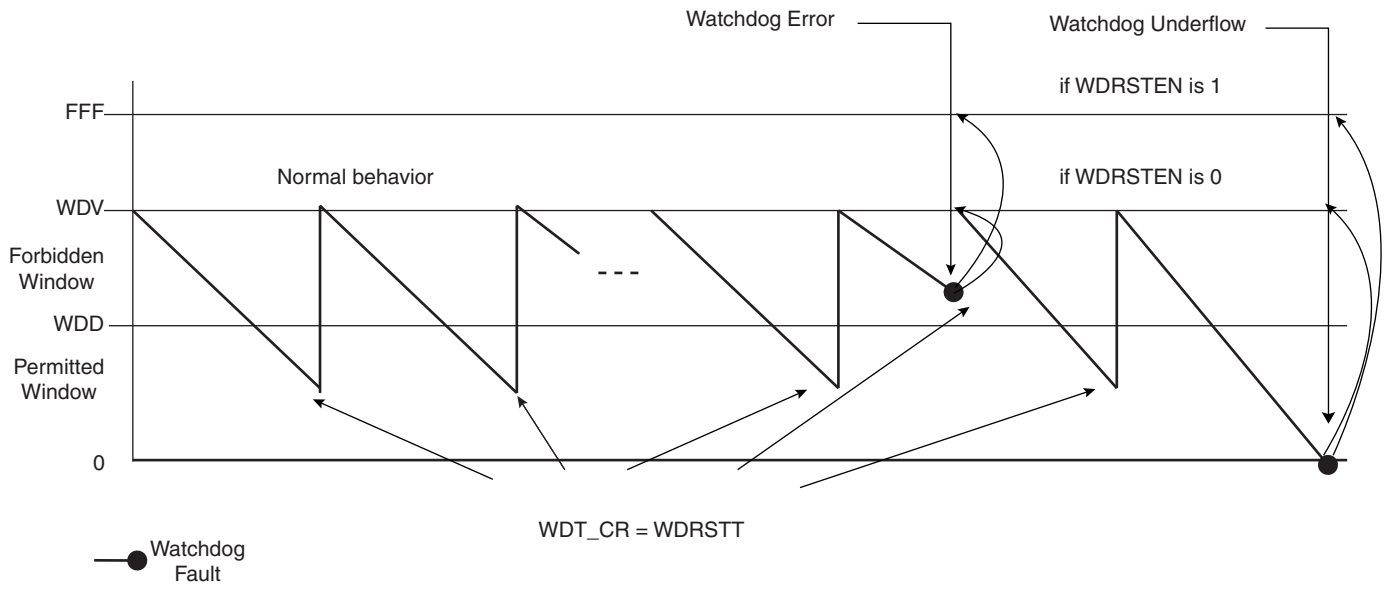
The status bits WDUNF (Watchdog Underflow) and WDERR (Watchdog Error) trigger an interrupt, provided the bit WDFIEN is set in the mode register. The signal “wdt\_fault” to the reset controller causes a Watchdog reset if the WDRSTEN bit is set as already explained in the reset controller programmer Datasheet. In that case, the processor and the Watchdog Timer are reset, and the WDERR and WDUNF flags are reset.

If a reset is generated or if WDT\_SR is read, the status bits are reset, the interrupt is cleared, and the “wdt\_fault” signal to the reset controller is deasserted.

Writing the WDT\_MR reloads and restarts the down counter.

While the processor is in debug state or in idle mode, the counter may be stopped depending on the value programmed for the bits WDIDLEHLT and WDDBGHLT in the WDT\_MR.

Figure 17-2. Watchdog Behavior



## 17.4 Watchdog Timer (WDT) User Interface

**Table 17-1.** Watchdog Timer (WDT) Register Mapping

| Offset | Register         | Name   | Access          | Reset Value |
|--------|------------------|--------|-----------------|-------------|
| 0x00   | Control Register | WDT_CR | Write-only      | -           |
| 0x04   | Mode Register    | WDT_MR | Read/Write Once | 0x3FFF_2FFF |
| 0x08   | Status Register  | WDT_SR | Read-only       | 0x0000_0000 |

### 17.4.1 Watchdog Timer Control Register

**Register Name:** WDT\_CR

**Access Type:** Write-only

|     |    |    |    |    |    |    |        |
|-----|----|----|----|----|----|----|--------|
| 31  | 30 | 29 | 28 | 27 | 26 | 25 | 24     |
| KEY |    |    |    |    |    |    |        |
| 23  | 22 | 21 | 20 | 19 | 18 | 17 | 16     |
| -   | -  | -  | -  | -  | -  | -  | -      |
| 15  | 14 | 13 | 12 | 11 | 10 | 9  | 8      |
| -   | -  | -  | -  | -  | -  | -  | -      |
| 7   | 6  | 5  | 4  | 3  | 2  | 1  | 0      |
| -   | -  | -  | -  | -  | -  | -  | WDRSTT |

- **WDRSTT: Watchdog Restart**

0: No effect.

1: Restarts the Watchdog.

- **KEY: Password**

Should be written at value 0xA5. Writing any other value in this field aborts the write operation.

## 17.4.2 Watchdog Timer Mode Register

**Register Name:** WDT\_MR

**Access Type:** Read/Write Once

|       |         |           |          |     |    |    |    |
|-------|---------|-----------|----------|-----|----|----|----|
| 31    | 30      | 29        | 28       | 27  | 26 | 25 | 24 |
| –     | –       | WDIDLEHLT | WDDBGHLT | WDD |    |    |    |
| 23    | 22      | 21        | 20       | 19  | 18 | 17 | 16 |
| WDD   |         |           |          |     |    |    |    |
| 15    | 14      | 13        | 12       | 11  | 10 | 9  | 8  |
| WDDIS | WDRPROC | WDRSTEN   | WDFIEN   | WDV |    |    |    |
| 7     | 6       | 5         | 4        | 3   | 2  | 1  | 0  |
| WDV   |         |           |          |     |    |    |    |

- **WDV: Watchdog Counter Value**

Defines the value loaded in the 12-bit Watchdog Counter.

- **WDFIEN: Watchdog Fault Interrupt Enable**

0: A Watchdog fault (underflow or error) has no effect on interrupt.

1: A Watchdog fault (underflow or error) asserts interrupt.

- **WDRSTEN: Watchdog Reset Enable**

0: A Watchdog fault (underflow or error) has no effect on the resets.

1: A Watchdog fault (underflow or error) triggers a Watchdog reset.

- **WDRPROC: Watchdog Reset Processor**

0: If WDRSTEN is 1, a Watchdog fault (underflow or error) activates all resets.

1: If WDRSTEN is 1, a Watchdog fault (underflow or error) activates the processor reset.

- **WDD: Watchdog Delta Value**

Defines the permitted range for reloading the Watchdog Timer.

If the Watchdog Timer value is less than or equal to WDD, writing WDT\_CR with WDRSTT = 1 restarts the timer.

If the Watchdog Timer value is greater than WDD, writing WDT\_CR with WDRSTT = 1 causes a Watchdog error.

- **WDDBGHLT: Watchdog Debug Halt**

0: The Watchdog runs when the processor is in debug state.

1: The Watchdog stops when the processor is in debug state.

- **WDIDLEHLT: Watchdog Idle Halt**

0: The Watchdog runs when the system is in idle mode.

1: The Watchdog stops when the system is in idle state.

- **WDDIS: Watchdog Disable**

0: Enables the Watchdog Timer.

1: Disables the Watchdog Timer.

### 17.4.3 Watchdog Timer Status Register

**Register Name:** WDT\_SR

**Access Type:** Read-only

|    |    |    |    |    |    |       |       |
|----|----|----|----|----|----|-------|-------|
| 31 | 30 | 29 | 28 | 27 | 26 | 25    | 24    |
| –  | –  | –  | –  | –  | –  | –     | –     |
| 23 | 22 | 21 | 20 | 19 | 18 | 17    | 16    |
| –  | –  | –  | –  | –  | –  | –     | –     |
| 15 | 14 | 13 | 12 | 11 | 10 | 9     | 8     |
| –  | –  | –  | –  | –  | –  | –     | –     |
| 7  | 6  | 5  | 4  | 3  | 2  | 1     | 0     |
| –  | –  | –  | –  | –  | –  | WDERR | WDUNF |

- **WDUNF: Watchdog Underflow**

0: No Watchdog underflow occurred since the last read of WDT\_SR.

1: At least one Watchdog underflow occurred since the last read of WDT\_SR.

- **WDERR: Watchdog Error**

0: No Watchdog error occurred since the last read of WDT\_SR.

1: At least one Watchdog error occurred since the last read of WDT\_SR.

## 18. Voltage Regulator Mode Controller (VREG)

### 18.1 Overview

The Voltage Regulator Mode Controller contains one Read/Write register, the Voltage Regulator Mode Register. Its offset is 0x60 with respect to the System Controller offset.

This register controls the Voltage Regulator Mode. Setting PSTDBY (bit 0) puts the Voltage Regulator in Standby Mode or Low-power Mode. On reset, the PSTDBY is reset, so as to wake up the Voltage Regulator in Normal Mode.

## 18.2 Voltage Regulator Power Controller (VREG) User Interface

**Table 18-1.** Voltage Regulator Power Controller Register Mapping

| Offset | Register                        | Name    | Access     | Reset Value |
|--------|---------------------------------|---------|------------|-------------|
| 0x60   | Voltage Regulator Mode Register | VREG_MR | Read/Write | 0x0         |

### 18.2.1 Voltage Regulator Mode Register

**Register Name:** VREG\_MR

**Access Type:** Read/Write

|    |    |    |    |    |    |    |        |
|----|----|----|----|----|----|----|--------|
| 31 | 30 | 29 | 28 | 27 | 26 | 25 | 24     |
| –  | –  | –  | –  | –  | –  | –  | –      |
| 23 | 22 | 21 | 20 | 19 | 18 | 17 | 16     |
| –  | –  | –  | –  | –  | –  | –  | –      |
| 15 | 14 | 13 | 12 | 11 | 10 | 9  | 8      |
| –  | –  | –  | –  | –  | –  | –  | –      |
| 7  | 6  | 5  | 4  | 3  | 2  | 1  | 0      |
| –  | –  | –  | –  | –  | –  | –  | PSTDBY |

- **PSTDBY: Periodic Interval Value**

0 = Voltage regulator in normal mode.

1 = Voltage regulator in standby mode (low-power mode).



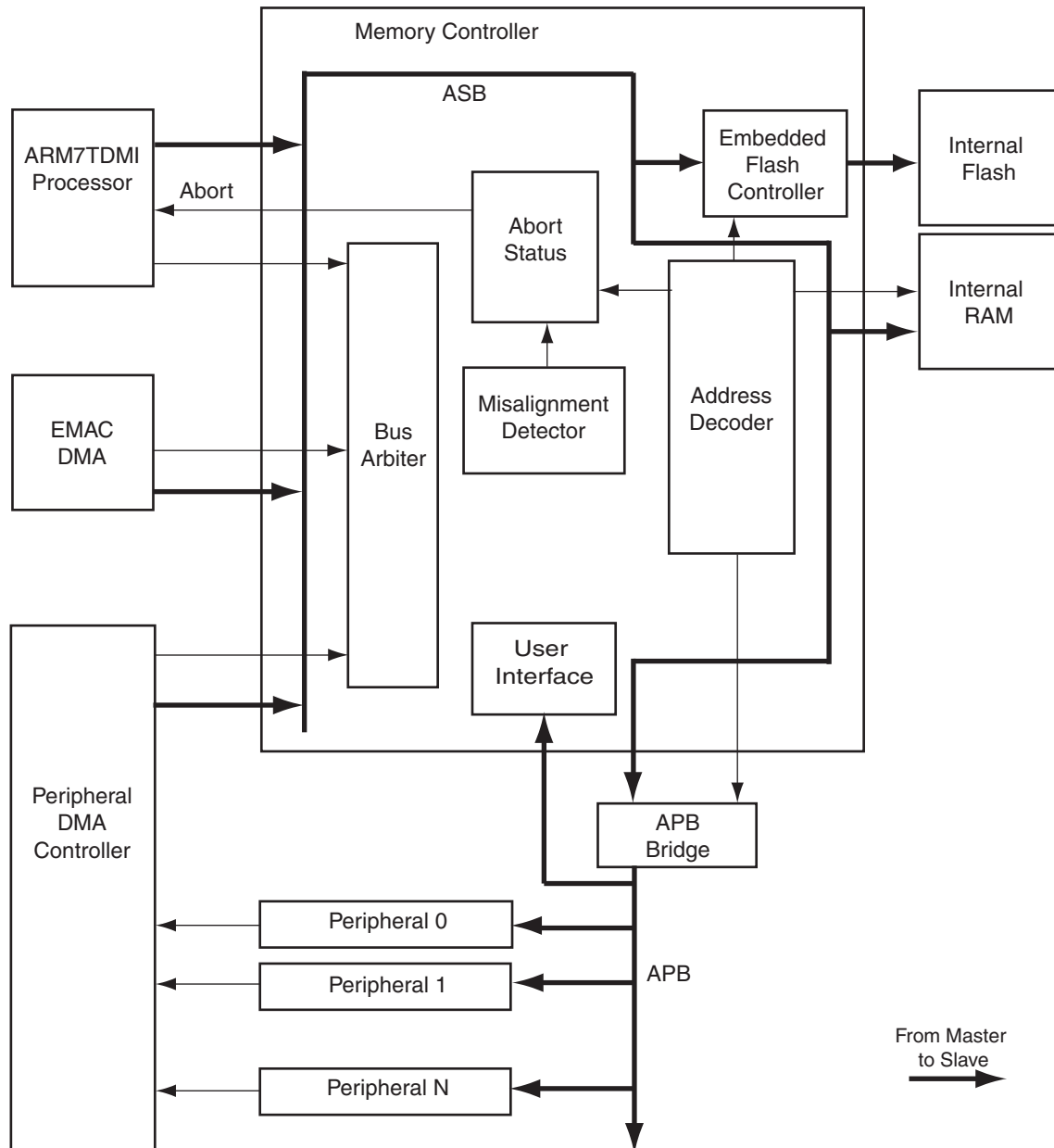
## 19. Memory Controller (MC)

### 19.1 Overview

The Memory Controller (MC) manages the ASB bus and controls accesses requested by the masters, typically the ARM7TDMI processor and the Peripheral DMA Controller. It features a bus arbiter, an address decoder, an abort status, a misalignment detector and an Embedded Flash Controller.

### 19.2 Block Diagram

Figure 19-1. Memory Controller Block Diagram



### 19.3 Functional Description

The Memory Controller handles the internal ASB bus and arbitrates the accesses of up to three masters.

It is made up of:

- A bus arbiter
- An address decoder
- An abort status
- A misalignment detector
- An Embedded Flash Controller

The MC handles only little-endian mode accesses. The masters work in little-endian mode only.

#### 19.3.1 Bus Arbiter

The Memory Controller has a simple, hard-wired priority bus arbiter that gives the control of the bus to one of the three masters. The EMAC has the highest priority; the Peripheral DMA Controller has the medium priority; the ARM processor has the lowest one.

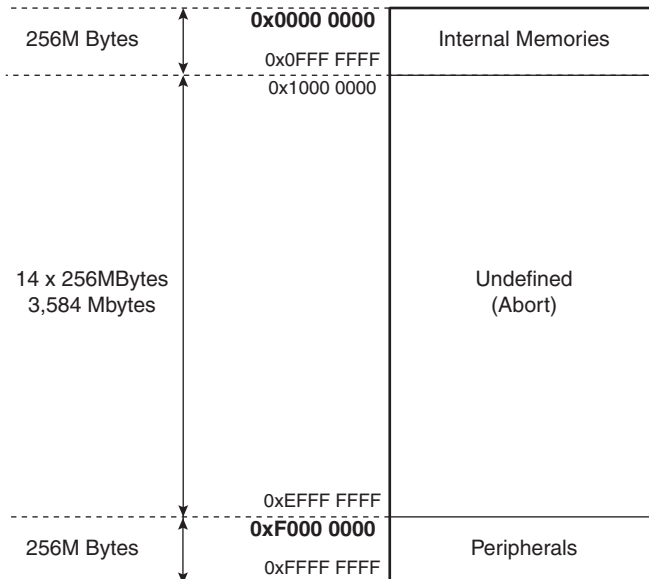
#### 19.3.2 Address Decoder

The Memory Controller features an Address Decoder that first decodes the four highest bits of the 32-bit address bus and defines three separate areas:

- One 256-Mbyte address space for the internal memories
- One 256-Mbyte address space reserved for the embedded peripherals
- An undefined address space of 3584M bytes representing fourteen 256-Mbyte areas that return an Abort if accessed

Figure 19-2 shows the assignment of the 256-Mbyte memory areas.

**Figure 19-2.** Memory Areas



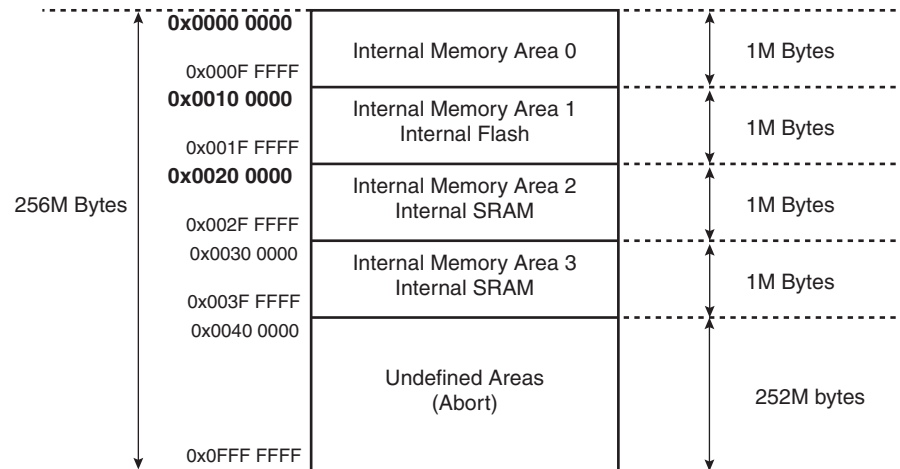
## 19.3.2.1 Internal Memory Mapping

Within the Internal Memory address space, the Address Decoder of the Memory Controller decodes eight more address bits to allocate 1-Mbyte address spaces for the embedded memories.

The allocated memories are accessed all along the 1-Mbyte address space and so are repeated n times within this address space, n equaling 1M bytes divided by the size of the memory.

When the address of the access is undefined within the internal memory area, the Address Decoder returns an Abort to the master.

**Figure 19-3.** Internal Memory Mapping



## 19.3.2.2 Internal Memory Area 0

The first 32 bytes of Internal Memory Area 0 contain the ARM processor exception vectors, in particular, the Reset Vector at address 0x0.

Before execution of the remap command, the on-chip Flash is mapped into Internal Memory Area 0, so that the ARM7TDMI reaches an executable instruction contained in Flash. After the remap command, the internal SRAM at address 0x0020 0000 is mapped into Internal Memory Area 0. The memory mapped into Internal Memory Area 0 is accessible in both its original location and at address 0x0.

## 19.3.3 Remap Command

After execution, the Remap Command causes the Internal SRAM to be accessed through the Internal Memory Area 0.

As the ARM vectors (Reset, Abort, Data Abort, Prefetch Abort, Undefined Instruction, Interrupt, and Fast Interrupt) are mapped from address 0x0 to address 0x20, the Remap Command allows the user to redefine dynamically these vectors under software control.

The Remap Command is accessible through the Memory Controller User Interface by writing the MC\_RCR (Remap Control Register) RCB field to one.

The Remap Command can be cancelled by writing the MC\_RCR RCB field to one, which acts as a toggling command. This allows easy debug of the user-defined boot sequence by offering a simple way to put the chip in the same configuration as after a reset.

### 19.3.4 Abort Status

There are two reasons for an abort to occur:

- access to an undefined address
- an access to a misaligned address.

When an abort occurs, a signal is sent back to all the masters, regardless of which one has generated the access. However, only the ARM7TDMI can take an abort signal into account, and only under the condition that it was generating an access. The Peripheral DMA Controller and the EMAC do not handle the abort input signal. Note that the connections are not represented in [Figure 19-1](#).

To facilitate debug or for fault analysis by an operating system, the Memory Controller integrates an Abort Status register set.

The full 32-bit wide abort address is saved in MC\_AASR. Parameters of the access are saved in MC\_ASR and include:

- the size of the request (field ABTSZ)
- the type of the access, whether it is a data read or write, or a code fetch (field ABTTYP)
- whether the access is due to accessing an undefined address (bit UNDADD) or a misaligned address (bit MISADD)
- the source of the access leading to the last abort (bits MST\_EMAC, MST\_PDC and MST\_ARM)
- whether or not an abort occurred for each master since the last read of the register (bits SVMST\_EMAC, SVMST\_PDC and SVMST\_ARM) unless this information is loaded in MST bits

In the case of a Data Abort from the processor, the address of the data access is stored. This is useful, as searching for which address generated the abort would require disassembling the instructions and full knowledge of the processor context.

In the case of a Prefetch Abort, the address may have changed, as the prefetch abort is pipelined in the ARM processor. The ARM processor takes the prefetch abort into account only if the read instruction is executed and it is probable that several aborts have occurred during this time. Thus, in this case, it is preferable to use the content of the Abort Link register of the ARM processor.

### 19.3.5 Embedded Flash Controller

The Embedded Flash Controller is added to the Memory Controller and ensures the interface of the flash block with the 32-bit internal bus. It allows an increase of performance in Thumb Mode for Code Fetch with its system of 32-bit buffers. It also manages with the programming, erasing, locking and unlocking sequences thanks to a full set of commands.

### 19.3.6 Misalignment Detector

The Memory Controller features a Misalignment Detector that checks the consistency of the accesses.

For each access, regardless of the master, the size of the access and the bits 0 and 1 of the address bus are checked. If the type of access is a word (32-bit) and the bits 0 and 1 are not 0, or if the type of the access is a half-word (16-bit) and the bit 0 is not 0, an abort is returned to the master and the access is cancelled. Note that the accesses of the ARM processor when it is fetching instructions are not checked.

The misalignments are generally due to software bugs leading to wrong pointer handling. These bugs are particularly difficult to detect in the debug phase.

As the requested address is saved in the Abort Status Register and the address of the instruction generating the misalignment is saved in the Abort Link Register of the processor, detection and fix of this kind of software bugs is simplified.



## 19.4 Memory Controller (MC) User Interface

Base Address: 0xFFFFF00

Table 19-1. Memory Controller (MC) Register Mapping

| Offset    | Register                         | Name  | Access     | Reset State |
|-----------|----------------------------------|---|------------|-------------|
| 0x00      | MC Remap Control Register        | MC_RCR  | Write-only |             |
| 0x04      | MC Abort Status Register         | MC_ASR  | Read-only  | 0x0         |
| 0x08      | MC Abort Address Status Register | MC_AASR   | Read-only  | 0x0         |
| 0x10-0x5C | Reserved                         |   |            |             |
| 0x60      | EFC Configuration Registers      | See <a href="#">Section 20. "Embedded Flash Controller (EFC)", on page 99</a> |            |             |

## 19.4.1 MC Remap Control Register

**Register Name:** MC\_RCR

**Access Type:** Write-only

**Offset:** 0x0

|    |    |    |    |    |    |    |     |
|----|----|----|----|----|----|----|-----|
| 31 | 30 | 29 | 28 | 27 | 26 | 25 | 24  |
| –  | –  | –  | –  | –  | –  | –  | –   |
| 23 | 22 | 21 | 20 | 19 | 18 | 17 | 16  |
| –  | –  | –  | –  | –  | –  | –  | –   |
| 15 | 14 | 13 | 12 | 11 | 10 | 9  | 8   |
| –  | –  | –  | –  | –  | –  | –  | –   |
| 7  | 6  | 5  | 4  | 3  | 2  | 1  | 0   |
| –  | –  | –  | –  | –  | –  | –  | RCB |

- **RCB: Remap Command Bit**

0: No effect.

1: This Command Bit acts on a toggle basis: writing a 1 alternatively cancels and restores the remapping of the page zero memory devices.

### 19.4.2 MC Abort Status Register

**Register Name:** MC\_ASR

**Access Type:** Read-only

**Reset Value:** 0x0

**Offset:** 0x04

|    |    |    |    |        |           |           |            |
|----|----|----|----|--------|-----------|-----------|------------|
| 31 | 30 | 29 | 28 | 27     | 26        | 25        | 24         |
| –  | –  | –  | –  | –      | SVMST_ARM | SVMST_PDC | SVMST_EMAC |
| 23 | 22 | 21 | 20 | 19     | 18        | 17        | 16         |
| –  | –  | –  | –  | –      | MST_ARM   | MST_PDC   | MST_EMAC   |
| 15 | 14 | 13 | 12 | 11     | 10        | 9         | 8          |
| –  | –  | –  | –  | ABTTYP |           | ABTSZ     |            |
| 7  | 6  | 5  | 4  | 3      | 2         | 1         | 0          |
| –  | –  | –  | –  | –      | –         | MISADD    | UNDADD     |

- **UNDADD: Undefined Address Abort Status**

0: The last abort was not due to the access of an undefined address in the address space.

1: The last abort was due to the access of an undefined address in the address space.

- **MISADD: Misaligned Address Abort Status**

0: The last aborted access was not due to an address misalignment.

1: The last aborted access was due to an address misalignment.

- **ABTSZ: Abort Size Status**

| ABTSZ |   | Abort Size |
|-------|---|------------|
| 0     | 0 | Byte       |
| 0     | 1 | Half-word  |
| 1     | 0 | Word       |
| 1     | 1 | Reserved   |

- **ABTTYP: Abort Type Status**

| ABTTYP |   | Abort Type |
|--------|---|------------|
| 0      | 0 | Data Read  |
| 0      | 1 | Data Write |
| 1      | 0 | Code Fetch |
| 1      | 1 | Reserved   |

- **MST\_EMAC: EMAC Abort Source**

0: The last aborted access was not due to the EMAC.

1: The last aborted access was due to the EMAC.



- **MST\_PDC: PDC Abort Source**

0: The last aborted access was not due to the PDC.

1: The last aborted access was due to the PDC.

- **MST\_ARM: ARM Abort Source**

0: The last aborted access was not due to the ARM.

1: The last aborted access was due to the ARM.

- **SVMST\_EMAC: Saved EMAC Abort Source**

0: No abort due to the EMAC occurred since the last read of MC\_ASR or it is notified in the bit MST\_EMAC.

1: At least one abort due to the EMAC occurred since the last read of MC\_ASR.

- **SVMST\_PDC: Saved PDC Abort Source**

0: No abort due to the PDC occurred since the last read of MC\_ASR or it is notified in the bit MST\_PDC.

1: At least one abort due to the PDC occurred since the last read of MC\_ASR.

- **SVMST\_ARM: Saved ARM Abort Source**

0: No abort due to the ARM occurred since the last read of MC\_ASR or it is notified in the bit MST\_ARM.

1: At least one abort due to the ARM occurred since the last read of MC\_ASR.

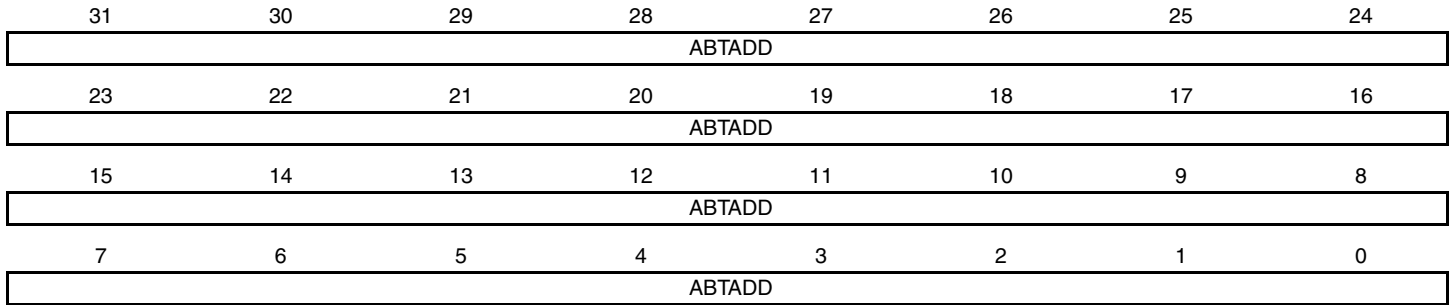
### 19.4.3 MC Abort Address Status Register

**Register Name:** MC\_AASR

**Access Type:** Read-only

**Reset Value:** 0x0

**Offset:** 0x08



- **ABTADD: Abort Address**

This field contains the address of the last aborted access.

## 20. Embedded Flash Controller (EFC)

### 20.0.1 Overview

The Embedded Flash Controller (EFC) is a part of the Memory Controller and ensures the interface of the Flash block with the 32-bit internal bus. It increases performance in Thumb Mode for Code Fetch with its system of 32-bit buffers. It also manages the programming, erasing, locking and unlocking sequences using a full set of commands.

## 20.1 Functional Description

### 20.1.1 Embedded Flash Organization

The Embedded Flash interfaces directly to the 32-bit internal bus. It is composed of several interfaces:

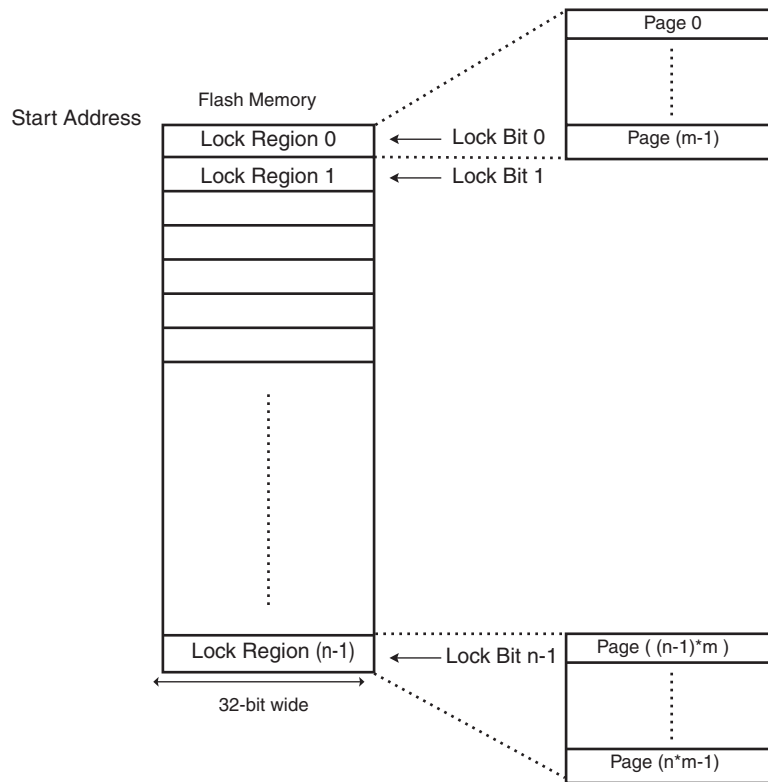
- One memory plane organized in several pages of the same size
- Two 32-bit read buffers used for code read optimization (see ["Read Operations" on page 100](#)).
- One write buffer that manages page programming. The write buffer size is equal to the page size. This buffer is write-only and accessible all along the 1 MByte address space, so that each word can be written to its final address (see ["Write Operations" on page 102](#)).
- Several lock bits used to protect write and erase operations on lock regions. A lock region is composed of several consecutive pages, and each lock region has its associated lock bit.
- Several general-purpose NVM bits. Each bit controls a specific feature in the device. Refer to the product definition section to get the GP NVM assignment.

The Embedded Flash size, the page size and the lock region organization are described in the product definition section.

**Table 20-1.** Product Specific Lock and General-purpose NVM Bits

| AT91SAM7X256 | AT91SAM7X128 | Denomination                       |
|--------------|--------------|------------------------------------|
| 3            | 3            | Number of General-purpose NVM bits |
| 16           | 8            | Number of Lock Bits                |

**Figure 20-1.** Embedded Flash Memory Mapping



### 20.1.2 Read Operations

An optimized controller manages embedded Flash reads. A system of 2 x 32-bit buffers is added in order to start access at following address during the second read, thus increasing performance when the processor is running in Thumb mode (16-bit instruction set). See [Figure 20-2](#), [Figure 20-3](#) and [Figure 20-4](#).

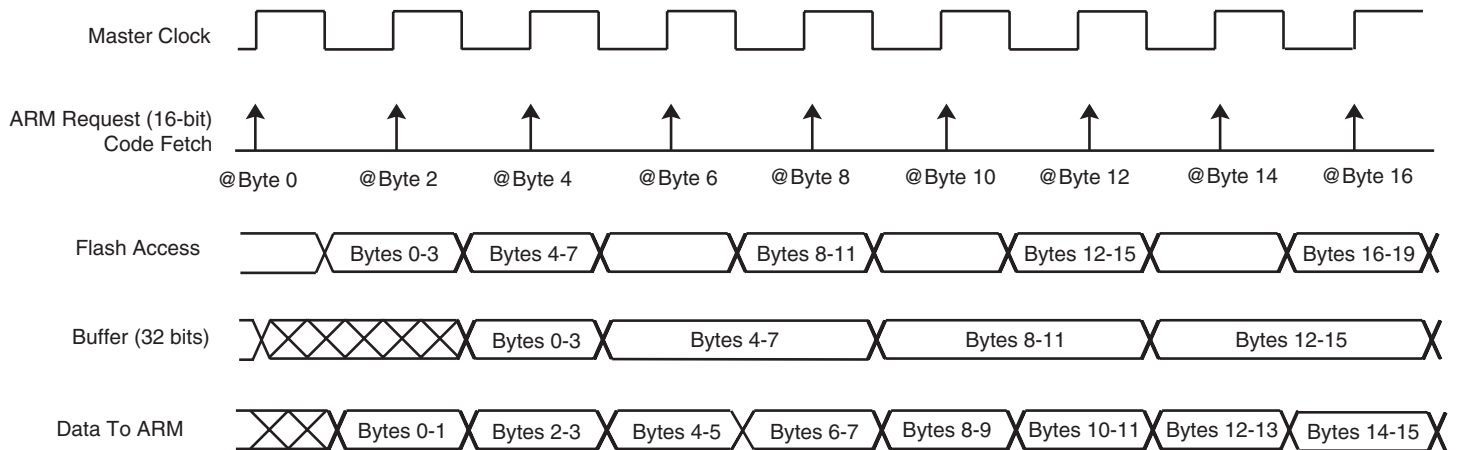
This optimization concerns only Code Fetch and not Data.

The read operations can be performed with or without wait state. Up to 3 wait states can be programmed in the field FWS (Flash Wait State) in the Flash Mode Register MC\_FMR (see ["MC Flash Mode Register" on page 110](#)). Defining FWS to be 0 enables the single-cycle access of the embedded Flash.

The Flash memory is accessible through 8-, 16- and 32-bit reads.

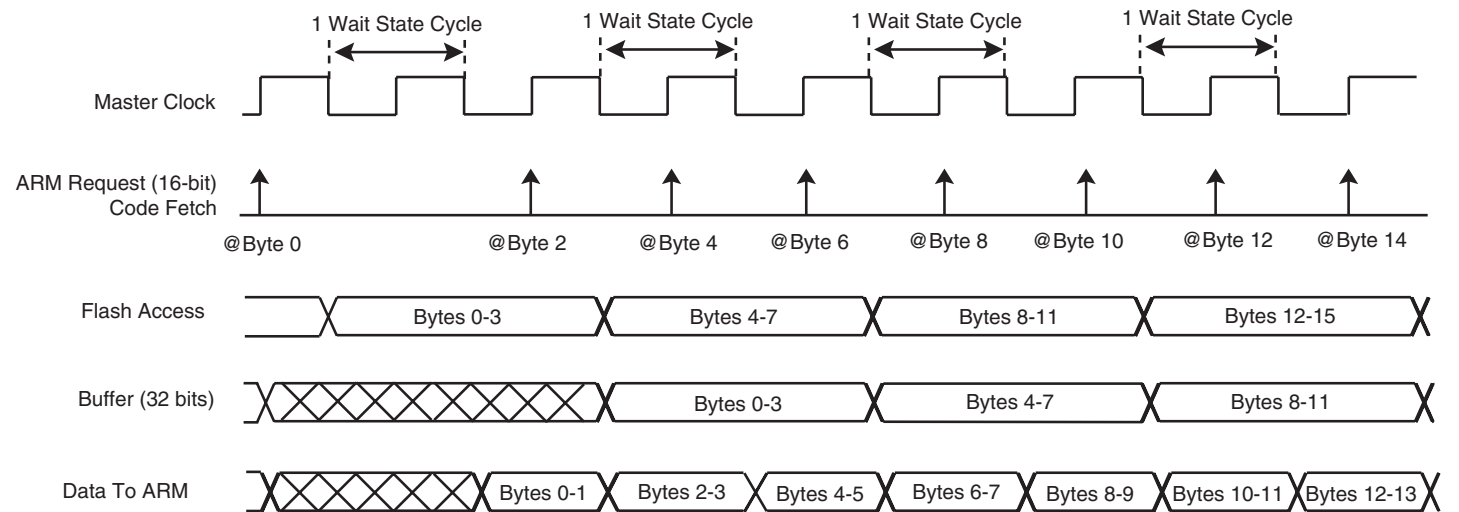
As the Flash block size is smaller than the address space reserved for the internal memory area, the embedded Flash wraps around the address space and appears to be repeated within it.

**Figure 20-2.** Code Read Optimization in Thumb Mode for FWS = 0



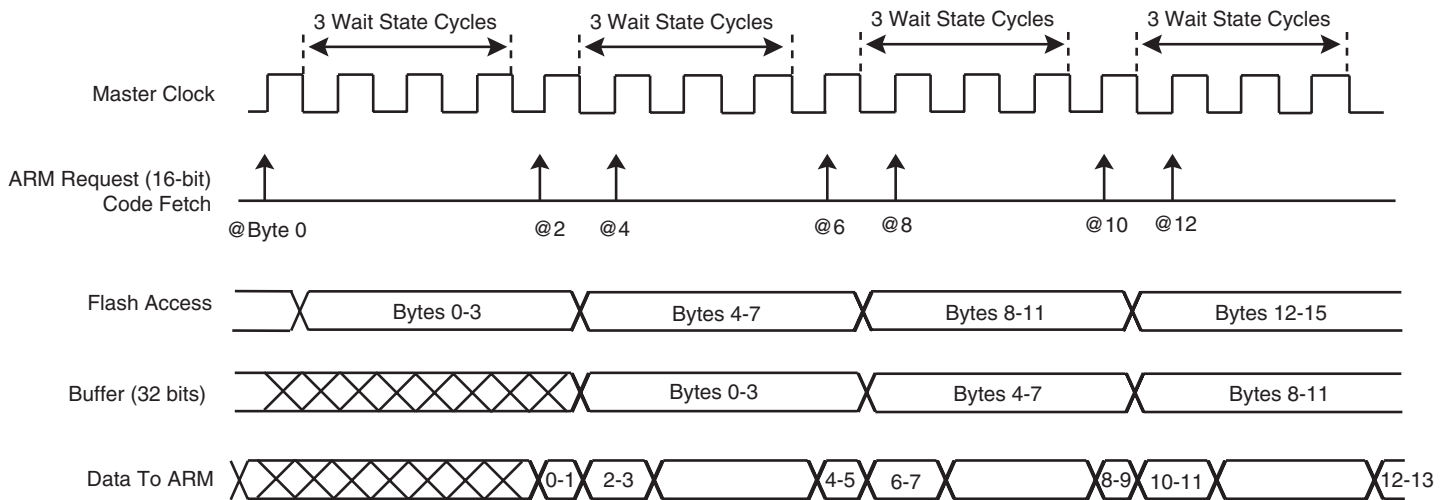
Note: When FWS is equal to 0, all accesses are performed in a single-cycle access.

**Figure 20-3.** Code Read Optimization in Thumb Mode for FWS = 1



Note: When FWS is equal to 1, in case of sequential reads, all the accesses are performed in a single-cycle access (except for the first one).

**Figure 20-4.** Code Read Optimization in Thumb Mode for FWS = 3



**Note:** When FWS is equal to 2 or 3, in case of sequential reads, the first access takes FWS cycles, the second access one cycle, the third access FWS cycles, the fourth access one cycle, etc.

### 20.1.3 Write Operations

The internal memory area reserved for the embedded Flash can also be written through a write-only latch buffer. Write operations take into account only the 8 lowest address bits and thus wrap around within the internal memory area address space and appear to be repeated 1024 times within it.

Write operations can be prevented by programming the Memory Protection Unit of the product.

Writing 8-bit and 16-bit data is not allowed and may lead to unpredictable data corruption.

Write operations are performed in the number of wait states equal to the number of wait states for read operations + 1, except for FWS = 3 (see ["MC Flash Mode Register" on page 110](#)).

### 20.1.4 Flash Commands

The EFC offers a command set to manage programming the memory flash, locking and unlocking lock sectors, consecutive programming and locking, and full Flash erasing.

**Table 20-2.** Set of Commands

| Command                       | Value | Mnemonic |
|-------------------------------|-------|----------|
| Write page                    | 0x01  | WP       |
| Set Lock Bit                  | 0x02  | SLB      |
| Write Page and Lock           | 0x03  | WPL      |
| Clear Lock Bit                | 0x04  | CLB      |
| Erase all                     | 0x08  | EA       |
| Set General-purpose NVM Bit   | 0x0B  | SGPB     |
| Clear General-purpose NVM Bit | 0x0D  | CGPB     |
| Set Security Bit              | 0x0F  | SSB      |

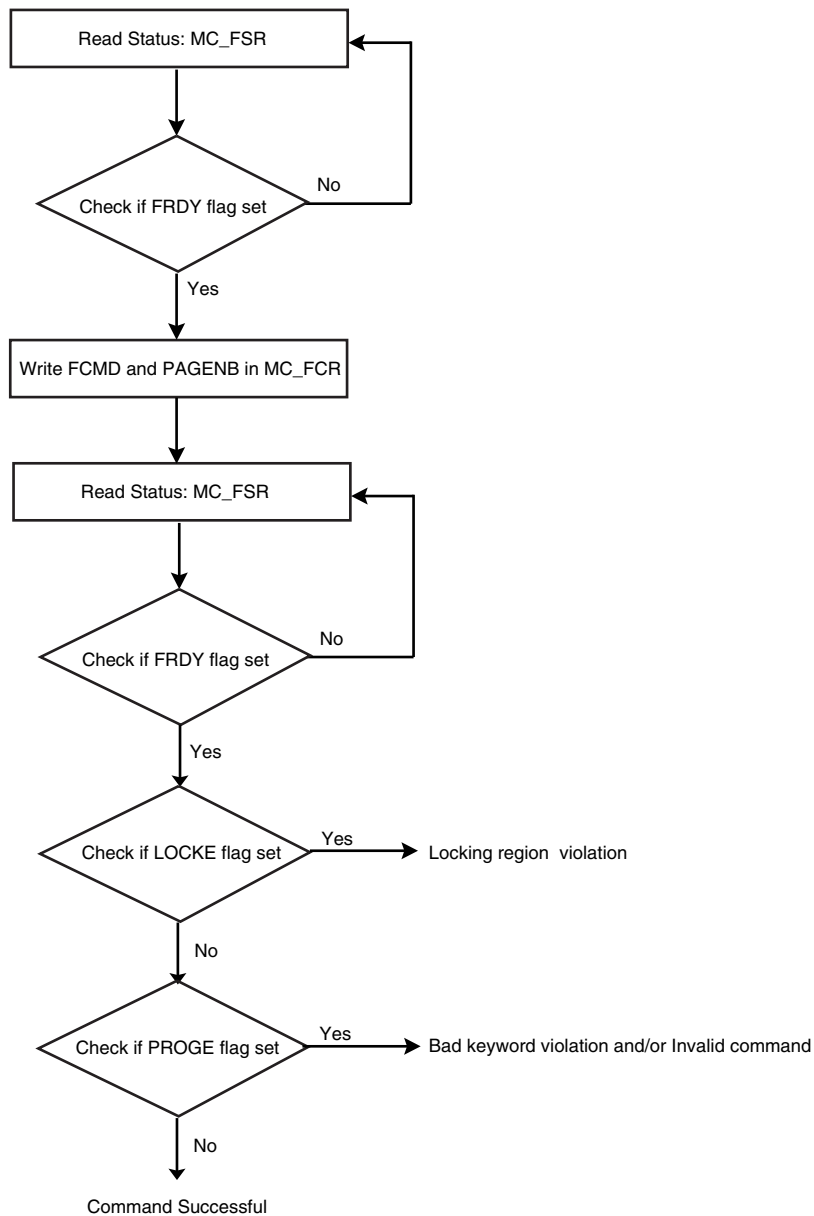
To run one of these commands, the field FCMD of the MC\_FCR register has to be written with the command number. As soon as the MC\_FCR register is written, the FRDY flag is automatically cleared. Once the current command is achieved, then the FRDY flag is automatically set. If an interrupt has been enabled by setting the bit FRDY in MC\_FMR, the interrupt line of the Memory Controller is activated.

All the commands are protected by the same keyword, which has to be written in the eight highest bits of the MC\_FCR register.

Writing MC\_FCR with data that does not contain the correct key and/or with an invalid command has no effect on the memory plane; however, the PROGE flag is set in the MC\_FSR register. This flag is automatically cleared by a read access to the MC\_FSR register.

When the current command writes or erases a page in a locked region, the command has no effect on the whole memory plane; however, the LOCKE flag is set in the MC\_FSR register. This flag is automatically cleared by a read access to the MC\_FSR register.

Figure 20-5. Command State Chart



In order to guarantee valid operations on the Flash memory, the field Flash Microsecond Cycle Number (FMCN) in the Flash Mode Register MC\_FMR must be correctly programmed (see ["MC Flash Mode Register"](#) on page 110).

#### 20.1.4.1 Flash Programming

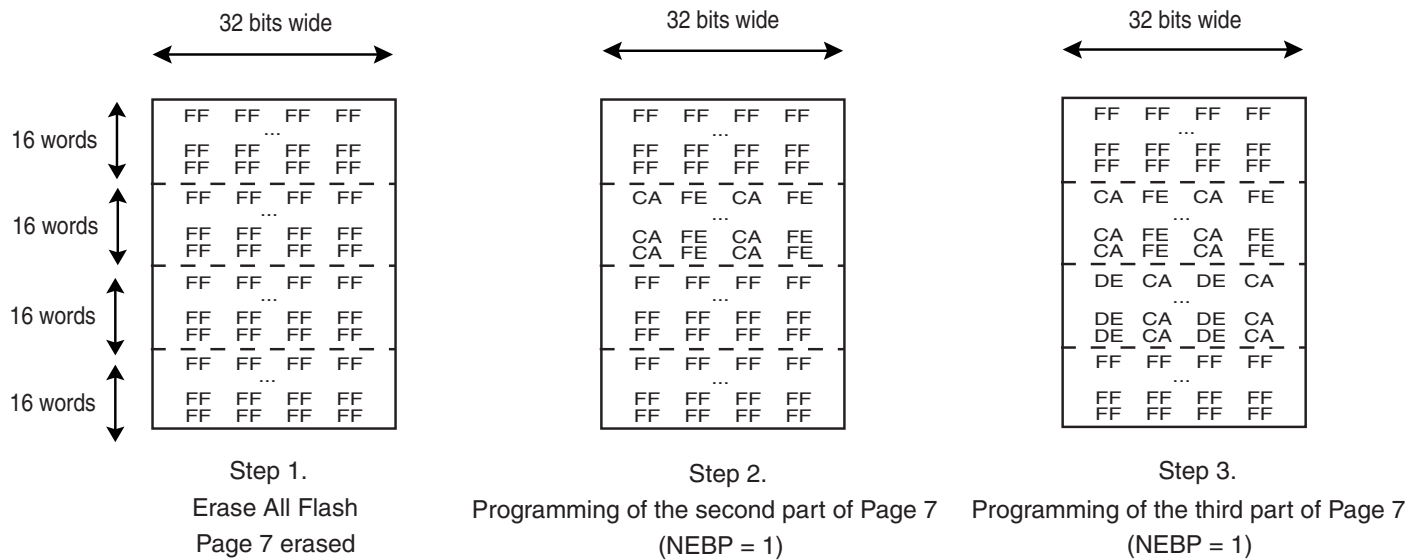
Several commands can be used to program the Flash.

The Flash technology requires that an erase must be done before programming. The entire memory plane can be erased at the same time, or a page can be automatically erased by clearing the NEBP bit in the MC\_FMR register before writing the command in the MC\_FCR register.



By setting the NEBP bit in the MC\_FMR register, a page can be programmed in several steps if it has been erased before (see Figure 20-6).

**Figure 20-6.** Example of Partial Page Programming:



After programming, the page (the whole lock region) can be locked to prevent miscellaneous write or erase sequences. The lock bit can be automatically set after page programming using WPL.

Data to be written are stored in an internal latch buffer. The size of the latch buffer corresponds to the page size. The latch buffer wraps around within the internal memory area address space and appears to be repeated by the number of pages in it.

Note: Writing of 8-bit and 16-bit data is not allowed and may lead to unpredictable data corruption.

Data are written to the latch buffer before the programming command is written to the Flash Command Register MC\_FCR. The sequence is as follows:

- Write the full page, at any page address, within the internal memory area address space using only 32-bit access.
- Programming starts as soon as the page number and the programming command are written to the Flash Command Register. The FRDY bit in the Flash Programming Status Register (MC\_FSR) is automatically cleared.
- When programming is completed, the bit FRDY in the Flash Programming Status Register (MC\_FSR) rises. If an interrupt was enabled by setting the bit FRDY in MC\_FMR, the interrupt line of the Memory Controller is activated.

Two errors can be detected in the MC\_FSR register after a programming sequence:

- Programming Error: A bad keyword and/or an invalid command have been written in the MC\_FCR register.
- Lock Error: The page to be programmed belongs to a locked region. A command must be previously run to unlock the corresponding region.

#### 20.1.4.2 Erase All Command

The entire memory can be erased if the Erase All Command (EA) in the Flash Command Register MC\_FCR is written.

Erase All operation is allowed only if there are no lock bits set. Thus, if at least one lock region is locked, the bit LOCKE in MC\_FSR rises and the command is cancelled. If the bit LOCKE has been written at 1 in MC\_FMR, the interrupt line rises.

When programming is complete, the bit FRDY bit in the Flash Programming Status Register (MC\_FSR) rises. If an interrupt has been enabled by setting the bit FRDY in MC\_FMR, the interrupt line of the Memory Controller is activated.

Two errors can be detected in the MC\_FSR register after a programming sequence:

- Programming Error: A bad keyword and/or an invalid command have been written in the MC\_FCR register.
- Lock Error: At least one lock region to be erased is protected. The erase command has been refused and no page has been erased. A Clear Lock Bit command must be executed previously to unlock the corresponding lock regions.

#### 20.1.4.3 Lock Bit Protection

Lock bits are associated with several pages in the embedded Flash memory plane. This defines lock regions in the embedded Flash memory plane. They prevent writing/erasing protected pages.

After production, the device may have some embedded Flash lock regions locked. These locked regions are reserved for a default application. Refer to the product definition section for the default embedded Flash mapping. Locked sectors can be unlocked to be erased and then programmed with another application or other data.

The lock sequence is:

- The Flash Command register must be written with the following value:  
 $(0x5A \ll 24) | (\text{lockPageNumber} \ll 8 \& \text{PAGEN}) | \text{SLB}$   
 lockPageNumber is a page of the corresponding lock region.
- When locking completes, the bit FRDY in the Flash Programming Status Register (MC\_FSR) rises. If an interrupt has been enabled by setting the bit FRDY in MC\_FMR, the interrupt line of the Memory Controller is activated.

A programming error, where a bad keyword and/or an invalid command have been written in the MC\_FCR register, may be detected in the MC\_FSR register after a programming sequence.

It is possible to clear lock bits that were set previously. Then the locked region can be erased or programmed. The unlock sequence is:

- The Flash Command register must be written with the following value:  
 $(0x5A \ll 24) | (\text{lockPageNumber} \ll 8 \& \text{PAGEN}) | \text{CLB}$   
 lockPageNumber is a page of the corresponding lock region.
- When the unlock completes, the bit FRDY in the Flash Programming Status Register (MC\_FSR) rises. If an interrupt has been enabled by setting the bit FRDY in MC\_FMR, the interrupt line of the Memory Controller is activated.

A programming error, where a bad keyword and/or an invalid command have been written in the MC\_FCR register, may be detected in the MC\_FSR register after a programming sequence.

The Unlock command programs the lock bit to 1; the corresponding bit LOCKSx in MC\_FSR reads 0. The Lock command programs the lock bit to 0; the corresponding bit LOCKSx in MC\_FSR reads 1.

Note: Access to the Flash in Read Mode is permitted when a Lock or Unlock command is performed.

#### 20.1.4.4 General-purpose NVM Bits

General-purpose NVM bits do not interfere with the embedded Flash memory plane. These general-purpose bits are dedicated to protect other parts of the product. They can be set (activated) or cleared individually. Refer to the product definition section for the general-purpose NVM bit action.

The activation sequence is:

- Start the Set General Purpose Bit command (SGPB) by writing the Flash Command Register with the SEL command and the number of the general-purpose bit to be set in the PAGEN field.
- When the bit is set, the bit FRDY in the Flash Programming Status Register (MC\_FSR) rises. If an interrupt has been enabled by setting the bit FRDY in MC\_FMR, the interrupt line of the Memory Controller is activated.

Two errors can be detected in the MC\_FSR register after a programming sequence:

- Programming Error: A bad keyword and/or an invalid command have been written in the MC\_FCR register
- If the general-purpose bit number is greater than the total number of general-purpose bits, then the command has no effect.

It is possible to deactivate a general-purpose NVM bit set previously. The clear sequence is:

- Start the Clear General-purpose Bit command (CGPB) by writing the Flash Command Register with CGPB and the number of the general-purpose bit to be cleared in the PAGEN field.
- When the clear completes, the bit FRDY in the Flash Programming Status Register (MC\_FSR) rises. If an interrupt has been enabled by setting the bit FRDY in MC\_FMR, the interrupt line of the Memory Controller is activated.

Two errors can be detected in the MC\_FSR register after a programming sequence:

- Programming Error: a bad keyword and/or an invalid command have been written in the MC\_FCR register
- If the number of the general-purpose bit set in the PAGEN field is greater than the total number of general-purpose bits, then the command has no effect.

The Clear General-purpose Bit command programs the general-purpose NVM bit to 1; the corresponding bit GPNVM0 to GPNVMx in MC\_FSR reads 0. The Set General-purpose Bit command programs the general-purpose NVM bit to 0; the corresponding bit GPNVMx in MC\_FSR reads 1.

Note: Access to the Flash in read mode is permitted when a Set, Clear or Get General-purpose NVM Bit command is performed.

#### 20.1.4.5 Security Bit

The goal of the security bit is to prevent external access to the internal bus system. JTAG, Fast Flash Programming and Flash Serial Test Interface features are disabled. Once set, this bit can be reset only by an external hardware ERASE request to the chip. Refer to the product definition

section for the pin name that controls the ERASE. In this case, the full memory plane is erased and all lock and general-purpose NVM bits are cleared. The security bit in the MC\_FSR is cleared only after these operations. The activation sequence is:

- Start the Set Security Bit command (SSB) by writing the Flash Command Register.
- When the locking completes, the bit FRDY in the Flash Programming Status Register (MC\_FSR) rises. If an interrupt has been enabled by setting the bit FRDY in MC\_FMR, the interrupt line of the Memory Controller is activated.

When the security bit is active, the SECURITY bit in the MC\_FSR is set.

## 20.2 Embedded Flash Controller (EFC) User Interface

The User Interface of the EFC is integrated within the Memory Controller with Base Address: 0xFFFF FF00.

**Table 20-3.** Embedded Flash Controller (EFC) Register Mapping

| Offset | Register                  | Name   | Access     | Reset State |
|--------|---------------------------|--------|------------|-------------|
| 0x60   | MC Flash Mode Register    | MC_FMR | Read/Write | 0x0         |
| 0x64   | MC Flash Command Register | MC_FCR | Write-only | –           |
| 0x68   | MC Flash Status Register  | MC_FSR | Read-only  | –           |
| 0x6C   | Reserved                  | –      | –          | –           |

### 20.2.1 MC Flash Mode Register

**Register Name:** MC\_FMR  
**Access Type:** Read/Write  
**Offset:** 0x60

|      |    |    |    |       |       |     |      |
|------|----|----|----|-------|-------|-----|------|
| 31   | 30 | 29 | 28 | 27    | 26    | 25  | 24   |
| –    | –  | –  | –  | –     | –     | –   | –    |
| 23   | 22 | 21 | 20 | 19    | 18    | 17  | 16   |
| FMCN |    |    |    |       |       |     |      |
| 15   | 14 | 13 | 12 | 11    | 10    | 9   | 8    |
| –    | –  | –  | –  | –     | –     | FWS |      |
| 7    | 6  | 5  | 4  | 3     | 2     | 1   | 0    |
| NEBP | –  | –  | –  | PROGE | LOCKE | –   | FRDY |

- **FRDY: Flash Ready Interrupt Enable**

0: Flash Ready does not generate an interrupt.  
 1: Flash Ready generates an interrupt.

- **LOCKE: Lock Error Interrupt Enable**

0: Lock Error does not generate an interrupt.  
 1: Lock Error generates an interrupt.

- **PROGE: Programming Error Interrupt Enable**

0: Programming Error does not generate an interrupt.  
 1: Programming Error generates an interrupt.

- **NEBP: No Erase Before Programming**

0: A page erase is performed before programming.  
 1: No erase is performed before programming.

- **FWS: Flash Wait State**

This field defines the number of wait states for read and write operations:

| FWS | Read Operations | Write Operations |
|-----|-----------------|------------------|
| 0   | 1 cycle         | 2 cycles         |
| 1   | 2 cycles        | 3 cycles         |
| 2   | 3 cycles        | 4 cycles         |
| 3   | 4 cycles        | 4 cycles         |

- **FMCN: Flash Microsecond Cycle Number**

Before writing Non Volatile Memory bits (Lock bits, General Purpose NVM bit and Security bits), this field must be set to the number of Master Clock cycles in one microsecond.

When writing the rest of the Flash, this field defines the number of Master Clock cycles in 1.5 microseconds. This number must be rounded up.

**Warning:** The value 0 is only allowed for a master clock period superior to 30 microseconds.

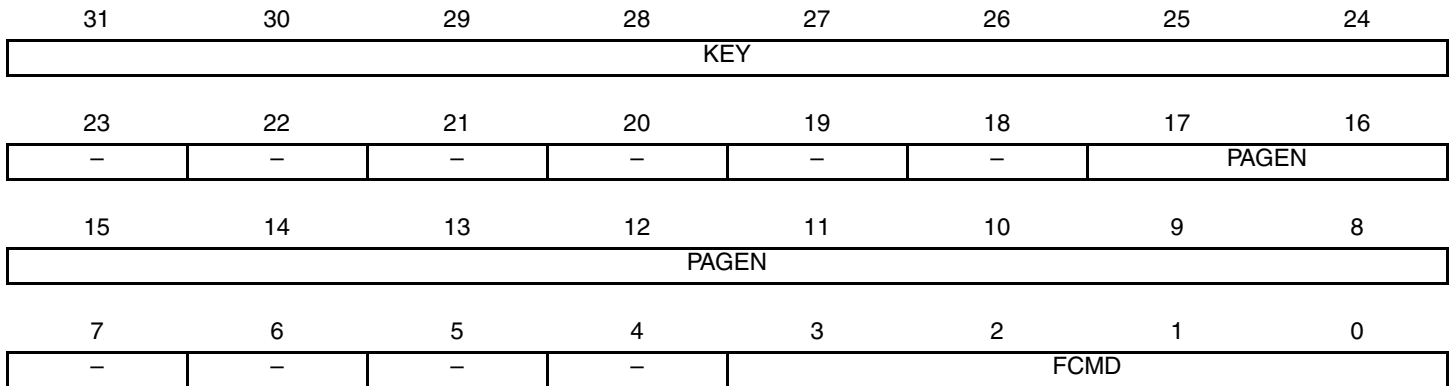
**Warning:** In order to guarantee valid operations on the flash memory, the field Flash Microsecond Cycle Number (FMCN) **must be** correctly programmed.

## 20.2.2 MC Flash Command Register

**Register Name:** MC\_FCR

**Access Type:** Write-only

**Offset:** 0x64



- **FCMD: Flash Command**

This field defines the Flash commands:

| FCMD   | Operations  |
|--------|---|
| 0000   | No command.<br>Does not raise the Programming Error Status flag in the Flash Status Register MC_FSR.  |
| 0001   | Write Page Command (WP):<br>Starts the programming of the page specified in the PAGEN field.  |
| 0010   | Set Lock Bit Command (SLB):<br>Starts a set lock bit sequence of the lock region specified in the PAGEN field.  |
| 0011   | Write Page and Lock Command (WPL):<br>The lock sequence of the lock region associated with the page specified in the field PAGEN occurs automatically after completion of the programming sequence. |
| 0100   | Clear Lock Bit Command (CLB):<br>Starts a clear lock bit sequence of the lock region specified in the PAGEN field.  |
| 1000   | Erase All Command (EA):<br>Starts the erase of the entire Flash.<br>If at least one page is locked, the command is cancelled.   |
| 1011   | Set General-purpose NVM Bit (SGPB):<br>Activates the general-purpose NVM bit corresponding to the number specified in the PAGEN field.  |
| 1101   | Clear General Purpose NVM Bit (CGPB):<br>Deactivates the general-purpose NVM bit corresponding to the number specified in the PAGEN field.  |
| 1111   | Set Security Bit Command (SSB):<br>Sets security bit.   |
| Others | Reserved.<br>Raises the Programming Error Status flag in the Flash Status Register MC_FSR.  |

- **PAGEN: Page Number**

| Command                                   | PAGEN Description   |
|---|---|
| Write Page Command                        | PAGEN defines the page number to be written.                                |
| Write Page and Lock Command               | PAGEN defines the page number to be written and its associated lock region. |
| Erase All Command                         | This field is meaningless   |
| Set/Clear Lock Bit Command                | PAGEN defines one page number of the lock region to be locked or unlocked.  |
| Set/Clear General Purpose NVM Bit Command | PAGEN defines the general-purpose bit number.                               |
| Set Security Bit Command                  | This field is meaningless   |

Note: Depending on the command, all the possible unused bits of PAGEN are meaningless.

- **KEY: Write Protection Key**

This field should be written with the value 0x5A to enable the command defined by the bits of the register. If the field is written with a different value, the write is not performed and no action is started.



## 20.2.3 MC Flash Status Register

**Register Name:** MC\_FSR

**Access Type:** Read-only

**Offset:** 0x68

|         |         |         |          |         |         |        |        |
|---------|---------|---------|----------|---------|---------|--------|--------|
| 31      | 30      | 29      | 28       | 27      | 26      | 25     | 24     |
| LOCKS15 | LOCKS14 | LOCKS13 | LOCKS12  | LOCKS11 | LOCKS10 | LOCKS9 | LOCKS8 |
| 23      | 22      | 21      | 20       | 19      | 18      | 17     | 16     |
| LOCKS7  | LOCKS6  | LOCKS5  | LOCKS4   | LOCKS3  | LOCKS2  | LOCKS1 | LOCKS0 |
| 15      | 14      | 13      | 12       | 11      | 10      | 9      | 8      |
| -       | -       | -       | -        | -       | GPNVM2  | GPNVM1 | GPNVM0 |
| 7       | 6       | 5       | 4        | 3       | 2       | 1      | 0      |
| -       | -       | -       | SECURITY | PROGE   | LOCKE   | -      | FRDY   |

- **FRDY: Flash Ready Status**

0: The EFC is busy and the application must wait before running a new command.

1: The EFC is ready to run a new command.

- **LOCKE: Lock Error Status**

0: No programming of at least one locked lock region has happened since the last read of MC\_FSR.

1: Programming of at least one locked lock region has happened since the last read of MC\_FSR.

- **PROGE: Programming Error Status**

0: No invalid commands and no bad keywords were written in the Flash Command Register MC\_FCR.

1: An invalid command and/or a bad keyword was/were written in the Flash Command Register MC\_FCR.

- **SECURITY: Security Bit Status**

0: The security bit is inactive.

1: The security bit is active.

- **GPNVMx: General-purpose NVM Bit Status**

0: The corresponding general-purpose NVM bit is inactive.

1: The corresponding general-purpose NVM bit is active.

- **LOCKsx: Lock Region x Lock Status**

0: The corresponding lock region is not locked.

1: The corresponding lock region is locked

### MC\_FSR, LOCKSx Product Specific Map

| AT91SAM7X256 | AT91SAM7X128 | Denomination              |
|--------------|--------------|---------------------------|
| 16           | 8            | Number of Lock Bits       |
| LOCKS0       | LOCKS0       | Lock Region 0 Lock Status |
| LOCKS1       | LOCKS1       | Lock Region 1 Lock Status |
| LOCKS2       | LOCKS2       | Lock Region 2 Lock Status |
| LOCKS3       | LOCKS3       | Lock Region 3 Lock Status |
| LOCKS4       | LOCKS4       | Lock Region 4 Lock Status |
| LOCKS5       | LOCKS5       | Lock Region 5 Lock Status |





MC\_FSR, LOCKSx Product Specific Map (Continued)

| <b>AT91SAM7X256</b> | <b>AT91SAM7X128</b> | <b>Denomination</b>        |
|---------------------|---------------------|----------------------------|
| LOCKS6              | LOCKS6              | Lock Region 6 Lock Status  |
| LOCKS7              | LOCKS7              | Lock Region 7 Lock Status  |
| LOCKS8              | –                   | Lock Region 8 Lock Status  |
| LOCKS9              | –                   | Lock Region 9 Lock Status  |
| LOCKS10             | –                   | Lock Region 10 Lock Status |
| LOCKS11             | –                   | Lock Region 11 Lock Status |
| LOCKS12             | –                   | Lock Region 12 Lock Status |
| LOCKS13             | –                   | Lock Region 13 Lock Status |
| LOCKS14             | –                   | Lock Region 14 Lock Status |
| LOCKS15             | –                   | Lock Region 15 Lock Status |



## 21. Fast Flash Programming Interface (FFPI)

### 21.1 Overview

The Fast Flash Programming Interface provides two solutions - parallel or serial - for high-volume programming using a standard gang programmer. The parallel interface is fully handshaked and the device is considered to be a standard EEPROM. Additionally, the parallel protocol offers an optimized access to all the embedded Flash functionalities. The serial interface uses the standard IEEE 1149.1 JTAG protocol. It offers an optimized access to all the embedded Flash functionalities.

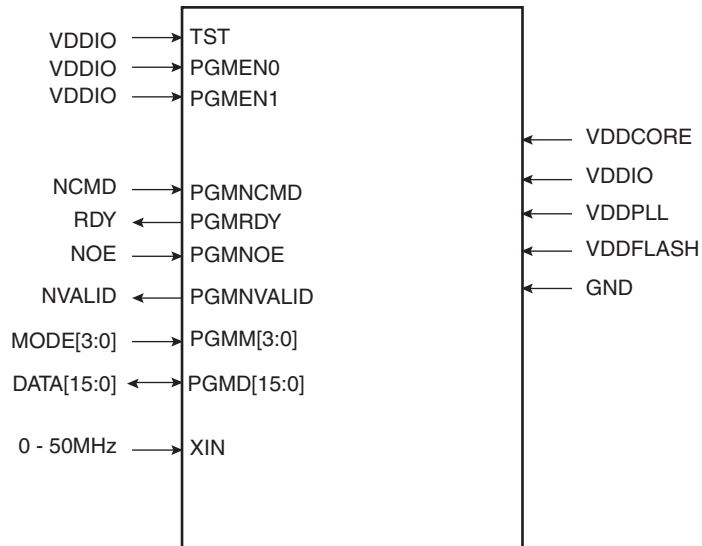
Although the Fast Flash Programming Mode is a dedicated mode for high volume programming, this mode not designed for in-situ programming.

### 21.2 Parallel Fast Flash Programming

#### 21.2.1 Device Configuration

In Fast Flash Programming Mode, the device is in a specific test mode. Only a certain set of pins is significant. Other pins must be left unconnected.

**Figure 21-1.** Parallel Programming Interface



**Table 21-1. Signal Description List**

| Signal Name   | Function   | Type         | Active Level | Comments                   |
|---------------|--|--------------|--------------|----------------------------|
| <b>Power</b>  |  |              |              |                            |
| VDDFLASH      | Flash Power Supply   | Power        |              |                            |
| VDDIO         | I/O Lines Power Supply   | Power        |              |                            |
| VDDCORE       | Core Power Supply  | Power        |              |                            |
| VDDPLL        | PLL Power Supply   | Power        |              |                            |
| GND           | Ground   | Ground       |              |                            |
| <b>Clocks</b> |  |              |              |                            |
| XIN           | Main Clock Input.<br>This input can be tied to GND. In this case, the device is clocked by the internal RC oscillator. | Input        |              | 32KHz to 50MHz             |
| <b>Test</b>   |  |              |              |                            |
| TST           | Test Mode Select   | Input        | High         | Must be connected to VDDIO |
| PGMEN0        | Test Mode Select   | Input        | High         | Must be connected to VDDIO |
| PGMEN1        | Test Mode Select   | Input        | High         | Must be connected to VDDIO |
| <b>PIO</b>    |  |              |              |                            |
| PGMNCMD       | Valid command available  | Input        | Low          | Pulled-up input at reset   |
| PGMRDY        | 0: Device is busy<br>1: Device is ready for a new command  | Output       | High         | Pulled-up input at reset   |
| PGMNOE        | Output Enable (active high)  | Input        | Low          | Pulled-up input at reset   |
| PGMNVAlID     | 0: DATA[15:0] is in input mode<br>1: DATA[15:0] is in output mode  | Output       | Low          | Pulled-up input at reset   |
| PGMM[3:0]     | Specifies DATA type (See <a href="#">Table 21-2</a> )  | Input        |              | Pulled-up input at reset   |
| PGMD[15:0]    | Bi-directional data bus  | Input/Output |              | Pulled-up input at reset   |

### 21.2.2 Signal Names

Depending on the MODE settings, DATA is latched in different internal registers.

**Table 21-2. Mode Coding**

| MODE[3:0] | Symbol | Data                  |
|-----------|--------|-----------------------|
| 0000      | CMDE   | Command Register      |
| 0001      | ADDR0  | Address Register LSBs |
| 0010      | ADDR1  |                       |
| 0011      | ADDR2  |                       |
| 0100      | ADDR2  | Address Register MSBs |
| 0101      | DATA   | Data Register         |
| Default   | IDLE   | No register           |

When MODE is equal to CMDE, then a new command (strobed on DATA[15:0] signals) is stored in the command register.

**Table 21-3.** Command Bit Coding

| DATA[15:0] | Symbol | Command Executed                    |
|------------|--------|-------------------------------------|
| 0x0011     | READ   | Read Flash                          |
| 0x0012     | WP     | Write Page Flash                    |
| 0x0022     | WPL    | Write Page and Lock Flash           |
| 0x0032     | EWP    | Erase Page and Write Page           |
| 0x0042     | EWPL   | Erase Page and Write Page then Lock |
| 0x0013     | EA     | Erase All                           |
| 0x0014     | SLB    | Set Lock Bit                        |
| 0x0024     | CLB    | Clear Lock Bit                      |
| 0x0015     | GLB    | Get Lock Bit                        |
| 0x0034     | SFB    | Set General Purpose NVM bit         |
| 0x0044     | CFB    | Clear General Purpose NVM bit       |
| 0x0025     | GFB    | Get General Purpose NVM bit         |
| 0x0054     | SSE    | Set Security Bit                    |
| 0x0035     | GSE    | Get Security Bit                    |
| 0x002F     | RRAM   | Read Memory                         |
| 0x001F     | WRAM   | Write Memory                        |
| 0x001E     | GVE    | Get Version                         |

### 21.2.3 Entering Programming Mode

The following algorithm puts the device in Parallel Programming Mode:

- Apply GND, VDDIO, VDDCORE, VDDFLASH and VDDPLL.
- Apply XIN clock within  $T_{POR\_RESET}$  if an external clock is available.
- Wait for  $T_{POR\_RESET}$
- Start a read or write handshaking.

Note: After reset, the device is clocked by the internal RC oscillator. Before clearing RDY signal, if an external clock (> 32 kHz) is connected to XIN, then the device switches on the external clock. Else, XIN input is not considered. A higher frequency on XIN speeds up the programmer handshake.

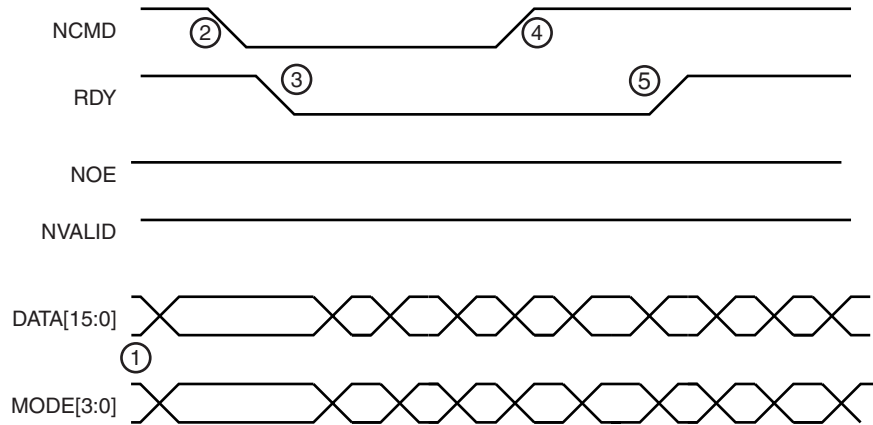
### 21.2.4 Programmer Handshaking

An handshake is defined for read and write operations. When the device is ready to start a new operation (RDY signal set), the programmer starts the handshake by clearing the NCMD signal. The handshaking is achieved once NCMD signal is high and RDY is high.

### 21.2.4.1 Write Handshaking

For details on the write handshaking sequence, refer to [Figure 21-2](#) and [Table 21-4](#).

**Figure 21-2.** Parallel Programming Timing, Write Sequence



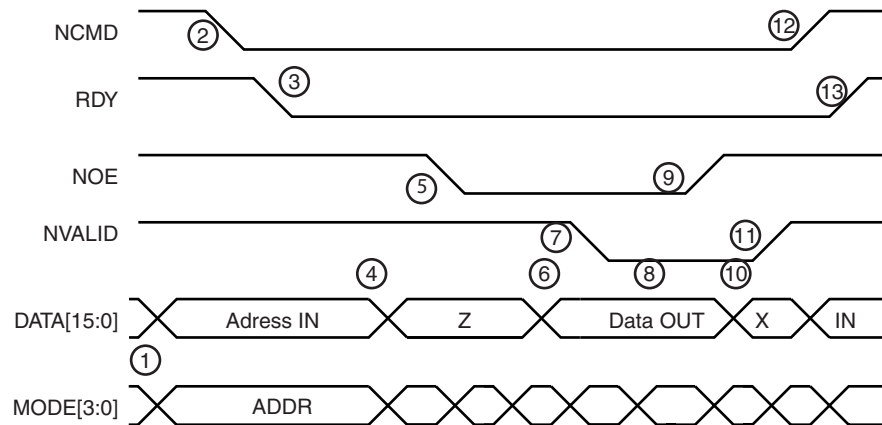
**Table 21-4.** Write Handshake

| Step | Programmer Action              | Device Action                        | Data I/O |
|------|--------------------------------|--------------------------------------|----------|
| 1    | Sets MODE and DATA signals     | Waits for NCMD low                   | Input    |
| 2    | Clears NCMD signal             | Latches MODE and DATA                | Input    |
| 3    | Waits for RDY low              | Clears RDY signal                    | Input    |
| 4    | Releases MODE and DATA signals | Executes command and polls NCMD high | Input    |
| 5    | Sets NCMD signal               | Executes command and polls NCMD high | Input    |
| 6    | Waits for RDY high             | Sets RDY                             | Input    |

### 21.2.4.2 Read Handshaking

For details on the read handshaking sequence, refer to [Figure 21-3](#) and [Table 21-5](#).

**Figure 21-3.** Parallel Programming Timing, Read Sequence



**Table 21-5.** Read Handshake

| Step | Programmer Action            | Device Action  | DATA I/O |
|------|------------------------------|--|----------|
| 1    | Sets MODE and DATA signals   | Waits for NCMD low   | Input    |
| 2    | Clears NCMD signal           | Latch MODE and DATA  | Input    |
| 3    | Waits for RDY low            | Clears RDY signal  | Input    |
| 4    | Sets DATA signal in tristate | Waits for NOE Low  | Input    |
| 5    | Clears NOE signal            |  | Tristate |
| 6    | Waits for NVALID low         | Sets DATA bus in output mode and outputs the flash contents. | Output   |
| 7    |                              | Clears NVALID signal   | Output   |
| 8    | Reads value on DATA Bus      | Waits for NOE high   | Output   |
| 9    | Sets NOE signal              |  | Output   |
| 10   | Waits for NVALID high        | Sets DATA bus in input mode                                  | X        |
| 11   | Sets DATA in output mode     | Sets NVALID signal   | Input    |
| 12   | Sets NCMD signal             | Waits for NCMD high  | Input    |
| 13   | Waits for RDY high           | Sets RDY signal  | Input    |

## 21.2.5 Device Operations

Several commands on the Flash memory are available. These commands are summarized in [Table 21-3 on page 117](#). Each command is driven by the programmer through the parallel interface running several read/write handshaking sequences.

When a new command is executed, the previous one is automatically achieved. Thus, chaining a read command after a write automatically flushes the load buffer in the Flash.

### 21.2.5.1 Flash Read Command

This command is used to read the contents of the Flash memory. The read command can start at any valid address in the memory plane and is optimized for consecutive reads. Read handshaking can be chained; an internal address buffer is automatically increased.

**Table 21-6.** Read Command

| Step | Handshake Sequence | MODE[3:0] | DATA[15:0]                       |
|------|--------------------|-----------|----------------------------------|
| 1    | Write handshaking  | CMDE      | READ                             |
| 2    | Write handshaking  | ADDR0     | 32-bit Memory Address First byte |
| 3    | Write handshaking  | ADDR1     | 32-bit Flash Address             |
| 4    | Write handshaking  | ADDR2     | 32-bit Flash Address             |
| 5    | Write handshaking  | ADDR3     | 32-bit Flash Address Last Byte   |
| 6    | Read handshaking   | DATA      | *Memory Address++                |
| 7    | Read handshaking   | DATA      | *Memory Address++                |
| ...  | ...                | ...       | ...                              |
| n    | Write handshaking  | ADDR0     | 32-bit Memory Address First byte |
| n+1  | Write handshaking  | ADDR1     | 32-bit Flash Address             |
| n+2  | Write handshaking  | ADDR2     | 32-bit Flash Address             |
| n+3  | Write handshaking  | ADDR3     | 32-bit Flash Address Last Byte   |
| n+4  | Read handshaking   | DATA      | *Memory Address++                |
| n+5  | Read handshaking   | DATA      | *Memory Address++                |
| ...  | ...                | ...       | ...                              |

### 21.2.5.2 Flash Write Command

This command is used to write the Flash contents.

The Flash memory plane is organized into several pages. Data to be written are stored in a load buffer that corresponds to a Flash memory page. The load buffer is automatically flushed to the Flash:

- before access to any page other than the current one
- when a new command is validated (MODE = CMDE)

The **Write Page** command (**WP**) is optimized for consecutive writes. Write handshaking can be chained; an internal address buffer is automatically increased.

**Table 21-7.** Write Command

| Step | Handshake Sequence | MODE[3:0] | DATA[15:0]                       |
|------|--------------------|-----------|----------------------------------|
| 1    | Write handshaking  | CMDE      | WP or WPL or EWP or EWPL         |
| 2    | Write handshaking  | ADDR0     | 32-bit Memory Address First byte |
| 3    | Write handshaking  | ADDR1     | 32-bit Flash Address             |
| 4    | Write handshaking  | ADDR2     | 32-bit Flash Address             |
| 5    | Write handshaking  | ADDR3     | 32-bit Flash Address Last Byte   |
| 6    | Write handshaking  | DATA      | *Memory Address++                |



**Table 21-7.** Write Command (Continued)

| Step | Handshake Sequence | MODE[3:0] | DATA[15:0]                       |
|------|--------------------|-----------|----------------------------------|
| 7    | Write handshaking  | DATA      | *Memory Address++                |
| ...  | ...                | ...       | ...                              |
| n    | Write handshaking  | ADDR0     | 32-bit Memory Address First byte |
| n+1  | Write handshaking  | ADDR1     | 32-bit Flash Address             |
| n+2  | Write handshaking  | ADDR2     | 32-bit Flash Address             |
| n+3  | Write handshaking  | ADDR3     | 32-bit Flash Address Last Byte   |
| n+4  | Write handshaking  | DATA      | *Memory Address++                |
| n+5  | Write handshaking  | DATA      | *Memory Address++                |
| ...  | ...                | ...       | ...                              |

The Flash command **Write Page and Lock (WPL)** is equivalent to the Flash Write Command. However, the lock bit is automatically set at the end of the Flash write operation. As a lock region is composed of several pages, the programmer writes to the first pages of the lock region using Flash write commands and writes to the last page of the lock region using a Flash write and lock command.

The Flash command **Erase Page and Write (EWP)** is equivalent to the Flash Write Command. However, before programming the load buffer, the page is erased.

The Flash command **Erase Page and Write the Lock (EWPL)** combines EWP and WPL commands.

### 21.2.5.3 Flash Full Erase Command

This command is used to erase the Flash memory planes.

All lock regions must be unlocked before the Full Erase command by using the CLB command. Otherwise, the erase command is aborted and no page is erased.

**Table 21-8.** Full Erase Command

| Step | Handshake Sequence | MODE[3:0] | DATA[15:0] |
|------|--------------------|-----------|------------|
| 1    | Write handshaking  | CMDE      | EA         |
| 2    | Write handshaking  | DATA      | 0          |

### 21.2.5.4 Flash Lock Commands

Lock bits can be set using WPL or EWPL commands. They can also be set by using the **Set Lock** command (**SLB**). With this command, several lock bits can be activated. A Bit Mask is provided as argument to the command. When bit 0 of the bit mask is set, then the first lock bit is activated.

In the same way, the **Clear Lock** command (**CLB**) is used to clear lock bits. All the lock bits are also cleared by the EA command.

**Table 21-9.** Set and Clear Lock Bit Command

| Step | Handshake Sequence | MODE[3:0] | DATA[15:0] |
|------|--------------------|-----------|------------|
| 1    | Write handshaking  | CMDE      | SLB or CLB |
| 2    | Write handshaking  | DATA      | Bit Mask   |

Lock bits can be read using **Get Lock Bit** command (**GLB**). The  $n^{\text{th}}$  lock bit is active when the bit  $n$  of the bit mask is set..

**Table 21-10.** Get Lock Bit Command

| Step | Handshake Sequence | MODE[3:0] | DATA[15:0]   |
|------|--------------------|-----------|--|
| 1    | Write handshaking  | CMDE      | GLB  |
| 2    | Read handshaking   | DATA      | Lock Bit Mask Status<br>0 = Lock bit is cleared<br>1 = Lock bit is set |

### 21.2.5.5 Flash General-purpose NVM Commands

General-purpose NVM bits (GP NVM bits) can be set using the **Set Fuse** command (**SFB**). This command also activates GP NVM bits. A bit mask is provided as argument to the command. When bit 0 of the bit mask is set, then the first GP NVM bit is activated.

In the same way, the **Clear Fuse** command (**CFB**) is used to clear general-purpose NVM bits. All the general-purpose NVM bits are also cleared by the EA command. The general-purpose NVM bit is deactivated when the corresponding bit in the pattern value is set to 1.

**Table 21-11.** Set/Clear GP NVM Command

| Step | Handshake Sequence | MODE[3:0] | DATA[15:0]               |
|------|--------------------|-----------|--------------------------|
| 1    | Write handshaking  | CMDE      | SFB or CFB               |
| 2    | Write handshaking  | DATA      | GP NVM bit pattern value |

General-purpose NVM bits can be read using the **Get Fuse Bit** command (**GFB**). The  $n^{\text{th}}$  GP NVM bit is active when bit  $n$  of the bit mask is set..

**Table 21-12.** Get GP NVM Bit Command

| Step | Handshake Sequence | MODE[3:0] | DATA[15:0]   |
|------|--------------------|-----------|--|
| 1    | Write handshaking  | CMDE      | GFB  |
| 2    | Read handshaking   | DATA      | GP NVM Bit Mask Status<br>0 = GP NVM bit is cleared<br>1 = GP NVM bit is set |

## 21.2.5.6 Flash Security Bit Command

A security bit can be set using the **Set Security Bit** command (SSE). Once the security bit is active, the Fast Flash programming is disabled. No other command can be run. An event on the Erase pin can erase the security bit once the contents of the Flash have been erased.

**Table 21-13.** Set Security Bit Command

| Step | Handshake Sequence | MODE[3:0] | DATA[15:0] |
|------|--------------------|-----------|------------|
| 1    | Write handshaking  | CMDE      | SSE        |
| 2    | Write handshaking  | DATA      | 0          |

## 21.2.5.7 Memory Read Command

This command (**RRAM**) is used to perform a read access to any memory location. The read command can start at any valid address in the memory plane and is optimized for consecutive reads. Read handshaking can be chained; an internal address buffer is automatically increased.

**Table 21-14.** Read Command

| Step | Handshake Sequence | MODE[3:0] | DATA[15:0]                       |
|------|--------------------|-----------|----------------------------------|
| 1    | Write handshaking  | CMDE      | RRAM                             |
| 2    | Write handshaking  | ADDR0     | 32-bit Memory Address First byte |
| 3    | Write handshaking  | ADDR1     | 32-bit Flash Address             |
| 4    | Write handshaking  | ADDR2     | 32-bit Flash Address             |
| 5    | Write handshaking  | ADDR3     | 32-bit Flash Address Last Byte   |
| 6    | Read handshaking   | DATA      | *Memory Address++                |
| 7    | Read handshaking   | DATA      | *Memory Address++                |
| ...  | ...                | ...       | ...                              |
| n    | Write handshaking  | ADDR0     | 32-bit Memory Address First byte |
| n+1  | Write handshaking  | ADDR1     | 32-bit Flash Address             |
| n+2  | Write handshaking  | ADDR2     | 32-bit Flash Address             |
| n+3  | Write handshaking  | ADDR3     | 32-bit Flash Address Last Byte   |
| n+4  | Read handshaking   | DATA      | *Memory Address++                |
| n+5  | Read handshaking   | DATA      | *Memory Address++                |
| ...  | ...                | ...       | ...                              |

## 21.2.5.8 Memory Write Command

This command is used to perform a write access to any memory location.

The **Memory Write** command (**WRAM**) is optimized for consecutive writes. Write handshaking can be chained; an internal address buffer is automatically increased.

**Table 21-15.** Write Command

| Step | Handshake Sequence | MODE[3:0] | DATA[15:0]                       |
|------|--------------------|-----------|----------------------------------|
| 1    | Write handshaking  | CMDE      | WRAM                             |
| 2    | Write handshaking  | ADDR0     | 32-bit Memory Address First byte |
| 3    | Write handshaking  | ADDR1     | 32-bit Flash Address             |
| 4    | Write handshaking  | ADDR2     | 32-bit Flash Address             |
| 5    | Write handshaking  | ADDR3     | 32-bit Flash Address Last Byte   |
| 6    | Write handshaking  | DATA      | *Memory Address++                |
| 7    | Write handshaking  | DATA      | *Memory Address++                |
| ...  | ...                | ...       | ...                              |
| n    | Write handshaking  | ADDR0     | 32-bit Memory Address First byte |
| n+1  | Write handshaking  | ADDR1     | 32-bit Flash Address             |
| n+2  | Write handshaking  | ADDR2     | 32-bit Flash Address             |
| n+3  | Write handshaking  | ADDR3     | 32-bit Flash Address Last Byte   |
| n+4  | Write handshaking  | DATA      | *Memory Address++                |
| n+5  | Write handshaking  | DATA      | *Memory Address++                |
| ...  | ...                | ...       | ...                              |

21.2.5.9 *Get Version Command*

The **Get Version** (GVE) command retrieves the version of the FFPI interface.

**Table 21-16.** Get Version Command

| Step | Handshake Sequence | MODE[3:0] | DATA[15:0] |
|------|--------------------|-----------|------------|
| 1    | Write handshaking  | CMDE      | GVE        |
| 2    | Write handshaking  | DATA      | Version    |

## 21.3 Serial Fast Flash Programming

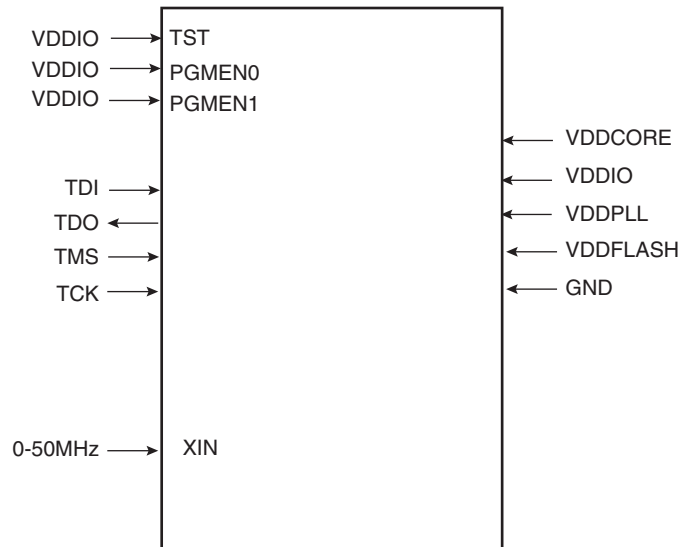
The Serial Fast Flash programming interface is based on IEEE Std. 1149.1 “Standard Test Access Port and Boundary-Scan Architecture”. Refer to this standard for an explanation of terms used in this chapter and for a description of the TAP controller states.

In this mode, data read/written from/to the embedded Flash of the device are transmitted through the JTAG interface of the device.

### 21.3.1 Device Configuration

In Serial Fast Flash Programming Mode, the device is in a specific test mode. Only a distinct set of pins is significant. Other pins must be left unconnected.

**Figure 21-4.** Serial Programming



**Table 21-17.** Signal Description List

| Signal Name   | Function   | Type   | Active Level | Comments         |
|---------------|--|--------|--------------|------------------|
| <b>Power</b>  |  |        |              |                  |
| VDDFLASH      | Flash Power Supply   | Power  |              |                  |
| VDDIO         | I/O Lines Power Supply   | Power  |              |                  |
| VDDCORE       | Core Power Supply  | Power  |              |                  |
| VDDPLL        | PLL Power Power Supply   | Power  |              |                  |
| GND           | Ground   | Ground |              |                  |
| <b>Clocks</b> |  |        |              |                  |
| XIN           | Main Clock Input.<br>This input can be tied to GND. In this case, the device is clocked by the internal RC oscillator. | Input  |              | 32 kHz to 50 MHz |

**Table 21-17.** Signal Description List (Continued)

| Signal Name | Function              | Type   | Active Level | Comments                    |
|-------------|-----------------------|--------|--------------|-----------------------------|
| <b>Test</b> |                       |        |              |                             |
| TST         | Test Mode Select      | Input  | High         | Must be connected to VDDIO. |
| PGMEN0      | Test Mode Select      | Input  | High         | Must be connected to VDDIO  |
| PGMEN1      | Test Mode Select      | Input  | High         | Must be connected to VDDIO  |
| <b>JTAG</b> |                       |        |              |                             |
| TCK         | JTAG TCK              | Input  | -            | Pulled-up input at reset    |
| TDI         | JTAG Test Data In     | Input  | -            | Pulled-up input at reset    |
| TDO         | JTAG Test Data Out    | Output | -            |                             |
| TMS         | JTAG Test Mode Select | Input  | -            | Pulled-up input at reset    |

### 21.3.2 Entering Serial Programming Mode

The following algorithm puts the device in Serial Programming Mode:

- Apply GND, VDDIO, VDDCORE, VDDFLASH and VDDPLL.
- Apply XIN clock within  $T_{POR\_RESET} + 32(T_{SCLK})$  if an external clock is available.
- Wait for  $T_{POR\_RESET}$ .
- Reset the TAP controller clocking 5 TCK pulses with TMS set.
- Shift 0x2 into the IR register ( IR is 4 bits long, LSB first) without going through the Run-Test-Idle state.
- Shift 0x2 into the DR register ( DR is 4 bits long, LSB first) without going through the Run-Test-Idle state.
- Shift 0xC into the IR register ( IR is 4 bits long, LSB first) without going through the Run-Test-Idle state.

Note: After reset, the device is clocked by the internal RC oscillator. Before clearing RDY signal, if an external clock (> 32 kHz) is connected to XIN, then the device will switch on the external clock. Else, XIN input is not considered. An higher frequency on XIN speeds up the programmer handshake.

**Table 21-18.** Reset TAP controller and go to Select-DR-Scan

| TDI | TMS | TAP Controller State |
|-----|-----|----------------------|
| X   | 1   |                      |
| X   | 1   |                      |
| X   | 1   |                      |
| X   | 1   |                      |
| X   | 1   | Test-Logic Reset     |
| X   | 0   | Run-Test/Idle        |
| Xt  | 1   | Select-DR-Scan       |

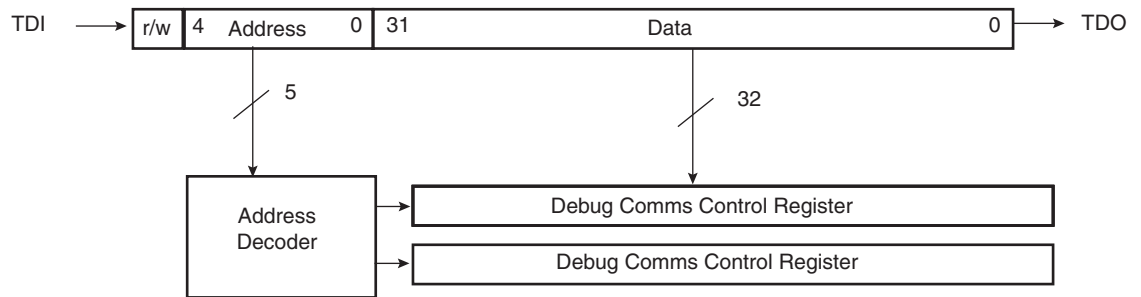
## 21.3.3 Read/Write Handshake

Two registers of the device are accessible through the JTAG:

- Debug Comms Control Register: DCCR
- Debug Comms Data Register: DCDR

Access to these registers is done through the TAP 38-bit DR register comprising a 32-bit data field, a 5-bit address field and a read/write bit. The data to be written is scanned into the 32-bit data field with the address of the register to the 5-bit address field and 1 to the read/write bit. A register is read by scanning its address into the address field and 0 into the read/write bit, going through the UPDATE-DR TAP state, then scanning out the data. The 32-bit data field is ignored.

**Figure 21-5.** TAP 8-bit DR Register



A read or write takes place when the TAP controller enters UPDATE-DR state.

- The address of the Debug Comms Control Register is 0x04.
- The address of the Debug Comms Data Register is 0x05.

The Debug Comms Control Register is read-only and allows synchronized handshaking between the processor and the debugger.

- Bit 1 (W): Denotes whether the programmer can read a data through the Debug Comms Data Register. If the device is busy  $W = 0$ , then the programmer must poll until  $W = 1$ .
- Bit 0 (R): Denotes whether the programmer can send data from the Debug Comms Data Register. If  $R = 1$ , data previously placed there through the scan chain has not been collected by the device and so the programmer must wait.

## 21.3.4 Device Operations

Several commands on the Flash memory are available. These commands are summarized in [Table 21-3 on page 117](#). Commands are run by the programmer through the serial interface that is reading and writing the Debug Comms Registers.

### 21.3.4.1 Flash Read Command

This command is used to read the Flash contents. The memory map is accessible through this command. Memory is seen as an array of words (32-bit wide). The read command can start at

any valid address in the memory plane. **This address must be word-aligned.** The address is automatically incremented.

**Table 21-19.** Read Command

| Read/Write | DR Data   |
|------------|---|
| Write      | (Number of Words to Read) << 16   READ            |
| Write      | Address   |
| Read       | Memory [address]                                  |
| Read       | Memory [address+4]                                |
| ...        | ...   |
| Read       | Memory [address+(Number of Words to Read - 1)* 4] |

### 21.3.4.2 Flash Write Command

This command is used to write the Flash contents. The address transmitted must be a valid Flash address in the memory plane.

The Flash memory plane is organized into several pages. Data to be written is stored in a load buffer that corresponds to a Flash memory page. The load buffer is automatically flushed to the Flash:

- before access to any page than the current one
- at the end of the number of words transmitted

The **Write Page** command (**WP**) is optimized for consecutive writes. Write handshaking can be chained; an internal address buffer is automatically increased.

**Table 21-20.** Write Command

| Read/Write | DR Data   |
|------------|---|
| Write      | (Number of Words to Write) << 16   (WP or WPL or EWP or EWPL) |
| Write      | Address   |
| Write      | Memory [address]  |
| Write      | Memory [address+4]  |
| Write      | Memory [address+8]  |
| Write      | Memory [address+(Number of Words to Write - 1)* 4]            |

Flash **Write Page and Lock** command (**WPL**) is equivalent to the Flash Write Command. However, the lock bit is automatically set at the end of the Flash write operation. As a lock region is composed of several pages, the programmer writes to the first pages of the lock region using Flash write commands and writes to the last page of the lock region using a Flash write and lock command.

Flash **Erase Page and Write** command (**EWP**) is equivalent to the Flash Write Command. However, before programming the load buffer, the page is erased.

Flash **Erase Page and Write the Lock** command (**EWPL**) combines EWP and WPL commands.



## 21.3.4.3 Flash Full Erase Command

This command is used to erase the Flash memory planes.

All lock bits must be deactivated before using the **Full Erase** command. This can be done by using the CLB command.

**Table 21-21.** Full Erase Command

| Read/Write | DR Data |
|------------|---------|
| Write      | EA      |

## 21.3.4.4 Flash Lock Commands

Lock bits can be set using WPL or EWPL commands. They can also be set by using the **Set Lock** command (**SLB**). With this command, several lock bits can be activated at the same time. Bit 0 of Bit Mask corresponds to the first lock bit and so on.

In the same way, the **Clear Lock** command (**CLB**) is used to clear lock bits. All the lock bits can also be cleared by the EA command.

**Table 21-22.** Set and Clear Lock Bit Command

| Read/Write | DR Data    |
|------------|------------|
| Write      | SLB or CLB |
| Write      | Bit Mask   |

Lock bits can be read using **Get Lock Bit** command (**GLB**). When a bit set in the Bit Mask is returned, then the corresponding lock bit is active.

**Table 21-23.** Get Lock Bit Command

| Read/Write | DR Data  |
|------------|----------|
| Write      | GLB      |
| Read       | Bit Mask |

## 21.3.4.5 Flash General-purpose NVM Commands

General-purpose NVM bits (GP NVM) can be set with the **Set Fuse** command (**SFB**). Using this command, several GP NVM bits can be activated at the same time. Bit 0 of Bit Mask corresponds to the first fuse bit and so on.

In the same way, the **Clear Fuse** command (**CFB**) is used to clear GP NVM bits. All the general-purpose NVM bits are also cleared by the EA command.

**Table 21-24.** Set and Clear General-purpose NVM Bit Command

| Read/Write | DR Data    |
|------------|------------|
| Write      | SFB or CFB |
| Write      | Bit Mask   |

GP NVM bits can be read using **Get Fuse Bit** command (**GFB**). When a bit set in the Bit Mask is returned, then the corresponding fuse bit is set.

**Table 21-25.** Get General-purpose NVM Bit Command

| Read/Write | DR Data  |
|------------|----------|
| Write      | GFB      |
| Read       | Bit Mask |

#### 21.3.4.6 Flash Security Bit Command

Security bits can be set using **Set Security Bit** command (**SSE**). Once the security bit is active, the Fast Flash programming is disabled. No other command can be run. Only an event on the Erase pin can erase the security bit once the contents of the Flash have been erased.

**Table 21-26.** Set Security Bit Command

| Read/Write | DR Data |
|------------|---------|
| Write      | SSE     |

#### 21.3.4.7 Memory Read Command

This command is used to perform a read access to any memory location. The read command can start at any valid address in the memory plane and is optimized for consecutive reads. An internal address buffer is automatically increased.

**Table 21-27.** Read Command

| Read/Write | DR Data   |
|------------|---|
| Write      | (Number of Words to Read) << 16   RRAM            |
| Write      | Address   |
| Read       | Memory [address]                                  |
| Read       | Memory [address+4]                                |
| ...        | ...   |
| Read       | Memory [address+(Number of Words to Read - 1)* 4] |

#### 21.3.4.8 Memory Write Command

This command is used to perform a write access to any memory location.

The **Memory Write** command (**WRAM**) is optimized for consecutive writes. An internal address buffer is automatically increased.

**Table 21-28.** Write Command

| Read/Write | DR Data                                   |
|------------|---|
| Write      | (Number of Words to Write) << 16   (WRAM) |
| Write      | Address                                   |
| Write      | Memory [address]                          |

**Table 21-28.** Write Command

| Read/Write | DR Data  |
|------------|--|
| Write      | Memory [address+4]                                 |
| Write      | Memory [address+8]                                 |
| Write      | Memory [address+(Number of Words to Write - 1)* 4] |

#### 21.3.4.9 Get Version Command

The **Get Version** (GVE) command retrieves the version of the FFPI interface.

**Table 21-29.** Get Version Command

| Read/Write | DR Data |
|------------|---------|
| Write      | GVE     |
| Read       | Version |



## 22. AT91SAM Boot Program

### 22.1 Description

The Boot Program integrates different programs permitting download and/or upload into the different memories of the product.

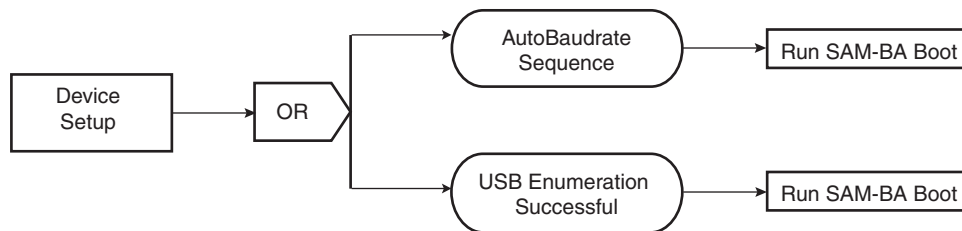
First, it initializes the Debug Unit serial port (DBGU) and the USB Device Port.

SAM-BA™ Boot is then executed. It waits for transactions either on the USB device, or on the DBGU serial port.

### 22.2 Flow Diagram

The Boot Program implements the algorithm in [Figure 22-1](#).

Figure 22-1. Boot Program Algorithm Flow Diagram



### 22.3 Device Initialization

Initialization follows the steps described below:

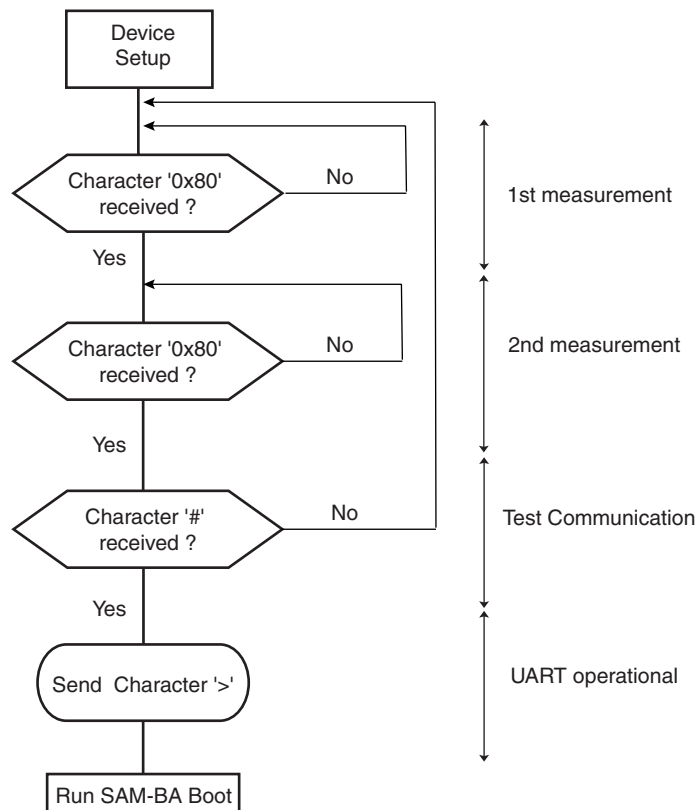
1. FIQ initialization
1. Stack setup for ARM supervisor mode
2. Setup the Embedded Flash Controller
3. External Clock detection
4. Main oscillator frequency detection if no external clock detected
5. Switch Master Clock on Main Oscillator
6. Copy code into SRAM
7. C variable initialization
8. PLL setup: PLL is initialized to generate a 48 MHz clock necessary to use the USB Device
9. Disable of the Watchdog and enable of the user reset
10. Initialization of the USB Device Port
11. Jump to SAM-BA Boot sequence (see ["SAM-BA Boot" on page 133](#))

### 22.4 SAM-BA Boot

The SAM-BA boot principle is to:

- Wait for USB Device enumeration
- Execute the AutoBaudrate sequence in parallel (see [Figure 22-2](#))

Figure 22-2. AutoBaudrate Flow Diagram



– Once the communication interface is identified, the application runs in an infinite loop waiting for different commands as in [Table 22-1](#).

Table 22-1. Commands Available through the SAM-BA Boot

| Command  | Action            | Argument(s)         | Example                   |
|----------|-------------------|---------------------|---------------------------|
| <b>O</b> | write a byte      | Address, Value#     | <b>O</b> 200001,CA#       |
| <b>o</b> | read a byte       | Address,#           | <b>o</b> 200001,#         |
| <b>H</b> | write a half word | Address, Value#     | <b>H</b> 200002,CAFE#     |
| <b>h</b> | read a half word  | Address,#           | <b>h</b> 200002,#         |
| <b>W</b> | write a word      | Address, Value#     | <b>W</b> 200000,CAFEBECA# |
| <b>w</b> | read a word       | Address,#           | <b>w</b> 200000,#         |
| <b>S</b> | send a file       | Address,#           | <b>S</b> 200000,#         |
| <b>R</b> | receive a file    | Address, NbOfBytes# | <b>R</b> 200000,1234#     |
| <b>G</b> | go                | Address#            | <b>G</b> 200200#          |
| <b>V</b> | display version   | No argument         | <b>V</b> #                |

- Write commands: Write a byte (**O**), a halfword (**H**) or a word (**W**) to the target.
  - *Address*: Address in hexadecimal.
  - *Value*: Byte, halfword or word to write in hexadecimal.
  - *Output*: '>'.

- Read commands: Read a byte (**o**), a halfword (**h**) or a word (**w**) from the target.
  - *Address*: Address in hexadecimal
  - *Output*: The byte, halfword or word read in hexadecimal following by '>'
- Send a file (**S**): Send a file to a specified address
  - *Address*: Address in hexadecimal
  - *Output*: '>'.

Note: There is a time-out on this command which is reached when the prompt '>' appears before the end of the command execution.

- Receive a file (**R**): Receive data into a file from a specified address
  - *Address*: Address in hexadecimal
  - *NbOfBytes*: Number of bytes in hexadecimal to receive
  - *Output*: '>'
- Go (**G**): Jump to a specified address and execute the code
  - *Address*: Address to jump in hexadecimal
  - *Output*: '>'
- Get Version (**V**): Return the SAM-BA boot version
  - *Output*: '>'

## 22.4.1 DBGU Serial Port

Communication is performed through the DBGU serial port initialized to 115200 Baud, 8, n, 1.

The Send and Receive File commands use the Xmodem protocol to communicate. Any terminal performing this protocol can be used to send the application file to the target. The size of the binary file to send depends on the SRAM size embedded in the product. In all cases, the size of the binary file must be lower than the SRAM size because the Xmodem protocol requires some SRAM memory to work.

## 22.4.2 Xmodem Protocol

The Xmodem protocol supported is the 128-byte length block. This protocol uses a two-character CRC-16 to guarantee detection of a maximum bit error.

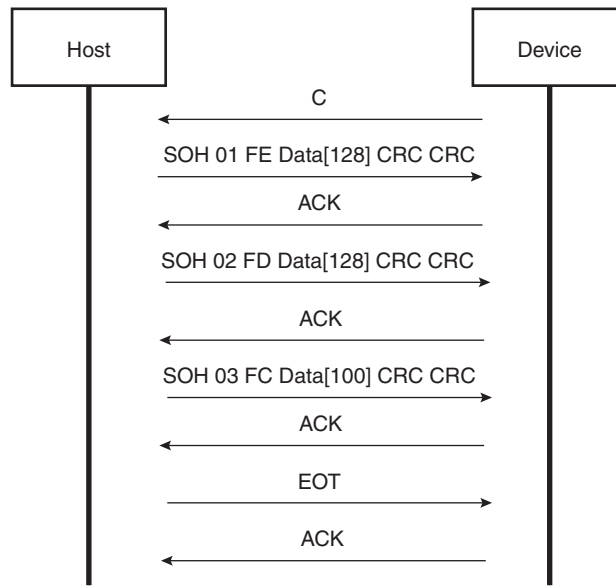
Xmodem protocol with CRC is accurate provided both sender and receiver report successful transmission. Each block of the transfer looks like:

<SOH><blk #><255-blk #><--128 data bytes--><checksum> in which:

- <SOH> = 01 hex
- <blk #> = binary number, starts at 01, increments by 1, and wraps 0FFH to 00H (not to 01)
- <255-blk #> = 1's complement of the blk#.
- <checksum> = 2 bytes CRC16

Figure 22-3 shows a transmission using this protocol.

**Figure 22-3.** Xmodem Transfer Example



### 22.4.3 USB Device Port

A 48 MHz USB clock is necessary to use the USB Device port. It has been programmed earlier in the device initialization procedure with PLLB configuration.

The device uses the USB communication device class (CDC) drivers to take advantage of the installed PC RS-232 software to talk over the USB. The CDC class is implemented in all releases of Windows®, from Windows 98SE to Windows XP. The CDC document, available at [www.usb.org](http://www.usb.org), describes a way to implement devices such as ISDN modems and virtual COM ports.

The Vendor ID is Atmel's vendor ID 0x03EB. The product ID is 0x6124. These references are used by the host operating system to mount the correct driver. On Windows systems, the INF files contain the correspondence between vendor ID and product ID.

Atmel provides an INF example to see the device as a new serial port and also provides another custom driver used by the SAM-BA application: atm6124.sys. Refer to the document "USB Basic Application", literature number 6123, for more details.

#### 22.4.3.1 Enumeration Process

The USB protocol is a master/slave protocol. This is the host that starts the enumeration sending requests to the device through the control endpoint. The device handles standard requests as defined in the USB Specification.

**Table 22-2.** Handled Standard Requests

| Request           | Definition  |
|-------------------|---|
| GET_DESCRIPTOR    | Returns the current device configuration value.       |
| SET_ADDRESS       | Sets the device address for all future device access. |
| SET_CONFIGURATION | Sets the device configuration.                        |
| GET_CONFIGURATION | Returns the current device configuration value.       |



**Table 22-2.** Handled Standard Requests (Continued)

| Request       | Definition                                   |
|---------------|--|
| GET_STATUS    | Returns status for the specified recipient.  |
| SET_FEATURE   | Used to set or enable a specific feature.    |
| CLEAR_FEATURE | Used to clear or disable a specific feature. |

The device also handles some class requests defined in the CDC class.

**Table 22-3.** Handled Class Requests

| Request                | Definition   |
|------------------------|--|
| SET_LINE_CODING        | Configures DTE rate, stop bits, parity and number of character bits.       |
| GET_LINE_CODING        | Requests current DTE rate, stop bits, parity and number of character bits. |
| SET_CONTROL_LINE_STATE | RS-232 signal used to tell the DCE device the DTE device is now present.   |

Unhandled requests are STALLED.

### 22.4.3.2 Communication Endpoints

There are two communication endpoints and endpoint 0 is used for the enumeration process. Endpoint 1 is a 64-byte Bulk OUT endpoint and endpoint 2 is a 64-byte Bulk IN endpoint. SAM-BA Boot commands are sent by the host through the endpoint 1. If required, the message is split by the host into several data payloads by the host driver.

If the command requires a response, the host can send IN transactions to pick up the response.

## 22.5 Hardware and Software Constraints

- SAM-BA boot copies itself in the SRAM and uses a block of internal SRAM for variables and stacks. The remaining available size for the user code is 57344 bytes for AT91SAM7X256 and 24576 bytes for AT91SAM7X128.
- USB requirements:
  - 18.432 MHz Quartz

**Table 22-4.** User Area Addresses

| Device       | Start Address | End Address | Size (bytes) |
|--------------|---------------|-------------|--------------|
| AT91SAM7X256 | 0x202000      | 0x210000    | 57344        |
| AT91SAM7X128 | 0x202000      | 0x208000    | 24576        |

**Table 22-5.** Pins Driven during Boot Program Execution

| Peripheral | Pin  | PIO Line |
|------------|------|----------|
| DBGU       | DRXD | PA27     |
| DBGU       | DTXD | PA28     |



## 23. Peripheral DMA Controller (PDC)

### 23.1 Overview

The Peripheral DMA Controller (PDC) transfers data between on-chip serial peripherals such as the UART, USART, SSC, SPI, MCI and the on- and off-chip memories. Using the Peripheral DMA Controller avoids processor intervention and removes the processor interrupt-handling overhead. This significantly reduces the number of clock cycles required for a data transfer and, as a result, improves the performance of the microcontroller and makes it more power efficient.

The PDC channels are implemented in pairs, each pair being dedicated to a particular peripheral. One channel in the pair is dedicated to the receiving channel and one to the transmitting channel of each UART, USART, SSC and SPI.

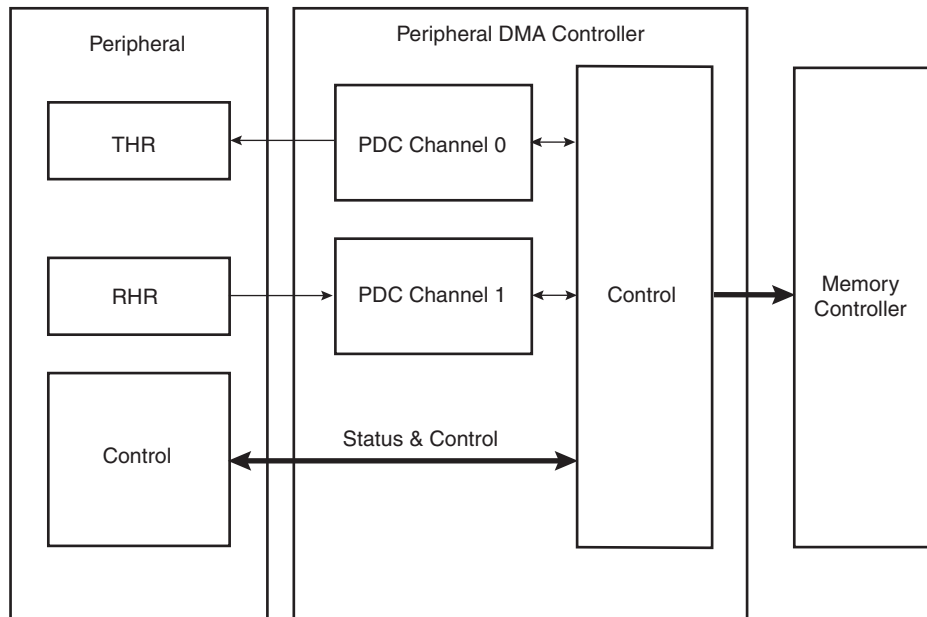
The user interface of a PDC channel is integrated in the memory space of each peripheral. It contains:

- A 32-bit memory pointer register
- A 16-bit transfer count register
- A 32-bit register for next memory pointer
- A 16-bit register for next transfer count

The peripheral triggers PDC transfers using transmit and receive signals. When the programmed data is transferred, an end of transfer interrupt is generated by the corresponding peripheral.

### 23.2 Block Diagram

Figure 23-1. Block Diagram



## 23.3 Functional Description

### 23.3.1 Configuration

The PDC channels user interface enables the user to configure and control the data transfers for each channel. The user interface of a PDC channel is integrated into the user interface of the peripheral (offset 0x100), which it is related to.

Per peripheral, it contains four 32-bit Pointer Registers (RPR, RNPR, TPR, and TNPR) and four 16-bit Counter Registers (RCR, RNCR, TCR, and TNCR).

The size of the buffer (number of transfers) is configured in an internal 16-bit transfer counter register, and it is possible, at any moment, to read the number of transfers left for each channel.

The memory base address is configured in a 32-bit memory pointer by defining the location of the first address to access in the memory. It is possible, at any moment, to read the location in memory of the next transfer and the number of remaining transfers. The PDC has dedicated status registers which indicate if the transfer is enabled or disabled for each channel. The status for each channel is located in the peripheral status register. Transfers can be enabled and/or disabled by setting TXTEN/TXTDIS and RXTEN/RXTDIS in PDC Transfer Control Register. These control bits enable reading the pointer and counter registers safely without any risk of their changing between both reads.

The PDC sends status flags to the peripheral visible in its status-register (ENDRX, ENDTX, RXBUFF, and TXBUFE).

ENDRX flag is set when the PERIPH\_RCR register reaches zero.

RXBUFF flag is set when both PERIPH\_RCR and PERIPH\_RNCR reach zero.

ENDTX flag is set when the PERIPH\_TCR register reaches zero.

TXBUFE flag is set when both PERIPH\_TCR and PERIPH\_TNCR reach zero.

These status flags are described in the peripheral status register.

### 23.3.2 Memory Pointers

Each peripheral is connected to the PDC by a receiver data channel and a transmitter data channel. Each channel has an internal 32-bit memory pointer. Each memory pointer points to a location anywhere in the memory space (on-chip memory or external bus interface memory).

Depending on the type of transfer (byte, half-word or word), the memory pointer is incremented by 1, 2 or 4, respectively for peripheral transfers.

If a memory pointer is reprogrammed while the PDC is in operation, the transfer address is changed, and the PDC performs transfers using the new address.

### 23.3.3 Transfer Counters

There is one internal 16-bit transfer counter for each channel used to count the size of the block already transferred by its associated channel. These counters are decremented after each data transfer. When the counter reaches zero, the transfer is complete and the PDC stops transferring data.

If the Next Counter Register is equal to zero, the PDC disables the trigger while activating the related peripheral end flag.

If the counter is reprogrammed while the PDC is operating, the number of transfers is updated and the PDC counts transfers from the new value.

Programming the Next Counter/Pointer registers chains the buffers. The counters are decremented after each data transfer as stated above, but when the transfer counter reaches zero, the values of the Next Counter/Pointer are loaded into the Counter/Pointer registers in order to re-enable the triggers.

For each channel, two status bits indicate the end of the current buffer (ENDRX, ENTX) and the end of both current and next buffer (RXBUFF, TXBUFE). These bits are directly mapped to the peripheral status register and can trigger an interrupt request to the AIC.

The peripheral end flag is automatically cleared when one of the counter-registers (Counter or Next Counter Register) is written.

Note: When the Next Counter Register is loaded into the Counter Register, it is set to zero.

### 23.3.4 Data Transfers

The peripheral triggers PDC transfers using transmit (TXRDY) and receive (RXRDY) signals.

When the peripheral receives an external character, it sends a Receive Ready signal to the PDC which then requests access to the system bus. When access is granted, the PDC starts a read of the peripheral Receive Holding Register (RHR) and then triggers a write in the memory.

After each transfer, the relevant PDC memory pointer is incremented and the number of transfers left is decremented. When the memory block size is reached, a signal is sent to the peripheral and the transfer stops.

The same procedure is followed, in reverse, for transmit transfers.

### 23.3.5 Priority of PDC Transfer Requests

The Peripheral DMA Controller handles transfer requests from the channel according to priorities fixed for each product. These priorities are defined in the product datasheet.

If simultaneous requests of the same type (receiver or transmitter) occur on identical peripherals, the priority is determined by the numbering of the peripherals.

If transfer requests are not simultaneous, they are treated in the order they occurred. Requests from the receivers are handled first and then followed by transmitter requests.

## 23.4 Peripheral DMA Controller (PDC) User Interface

**Table 23-1.** Peripheral DMA Controller (PDC) Register Mapping

| Offset | Register                       | Register Name              | Read/Write | Reset |
|--------|--------------------------------|----------------------------|------------|-------|
| 0x100  | Receive Pointer Register       | PERIPH <sup>(1)</sup> _RPR | Read/Write | 0x0   |
| 0x104  | Receive Counter Register       | PERIPH_RCR                 | Read/Write | 0x0   |
| 0x108  | Transmit Pointer Register      | PERIPH_TPR                 | Read/Write | 0x0   |
| 0x10C  | Transmit Counter Register      | PERIPH_TCR                 | Read/Write | 0x0   |
| 0x110  | Receive Next Pointer Register  | PERIPH_RNPR                | Read/Write | 0x0   |
| 0x114  | Receive Next Counter Register  | PERIPH_RNCR                | Read/Write | 0x0   |
| 0x118  | Transmit Next Pointer Register | PERIPH_TNPR                | Read/Write | 0x0   |
| 0x11C  | Transmit Next Counter Register | PERIPH_TNCR                | Read/Write | 0x0   |
| 0x120  | PDC Transfer Control Register  | PERIPH_PTCR                | Write-only | -     |
| 0x124  | PDC Transfer Status Register   | PERIPH_PTSR                | Read-only  | 0x0   |

Note: 1. PERIPH: Ten registers are mapped in the peripheral memory space at the same offset. These can be defined by the user according to the function and the peripheral desired (DBGU, USART, SSC, SPI, MCI etc).

## 23.4.1 PDC Receive Pointer Register

**Register Name:** PERIPH\_RPR

**Access Type:** Read/Write

|       |    |    |    |    |    |    |    |
|-------|----|----|----|----|----|----|----|
| 31    | 30 | 29 | 28 | 27 | 26 | 25 | 24 |
| RXPTR |    |    |    |    |    |    |    |
| 23    | 22 | 21 | 20 | 19 | 18 | 17 | 16 |
| RXPTR |    |    |    |    |    |    |    |
| 15    | 14 | 13 | 12 | 11 | 10 | 9  | 8  |
| RXPTR |    |    |    |    |    |    |    |
| 7     | 6  | 5  | 4  | 3  | 2  | 1  | 0  |
| RXPTR |    |    |    |    |    |    |    |

- **RXPTR: Receive Pointer Address**

Address of the next receive transfer.

## 23.4.2 PDC Receive Counter Register

**Register Name:** PERIPH\_RCR

**Access Type:** Read/Write

|       |    |    |    |    |    |    |    |
|-------|----|----|----|----|----|----|----|
| 31    | 30 | 29 | 28 | 27 | 26 | 25 | 24 |
| --    |    |    |    |    |    |    |    |
| 23    | 22 | 21 | 20 | 19 | 18 | 17 | 16 |
| --    |    |    |    |    |    |    |    |
| 15    | 14 | 13 | 12 | 11 | 10 | 9  | 8  |
| RXCTR |    |    |    |    |    |    |    |
| 7     | 6  | 5  | 4  | 3  | 2  | 1  | 0  |
| RXCTR |    |    |    |    |    |    |    |

- **RXCTR: Receive Counter Value**

Number of receive transfers to be performed.

### 23.4.3 PDC Transmit Pointer Register

**Register Name:** PERIPH\_TPR

**Access Type:** Read/Write

|       |    |    |    |    |    |    |    |
|-------|----|----|----|----|----|----|----|
| 31    | 30 | 29 | 28 | 27 | 26 | 25 | 24 |
| TXPTR |    |    |    |    |    |    |    |
| 23    | 22 | 21 | 20 | 19 | 18 | 17 | 16 |
| TXPTR |    |    |    |    |    |    |    |
| 15    | 14 | 13 | 12 | 11 | 10 | 9  | 8  |
| TXPTR |    |    |    |    |    |    |    |
| 7     | 6  | 5  | 4  | 3  | 2  | 1  | 0  |
| TXPTR |    |    |    |    |    |    |    |

- **TXPTR: Transmit Pointer Address**

Address of the transmit buffer.

### 23.4.4 PDC Transmit Counter Register

**Register Name:** PERIPH\_TCR

**Access Type:** Read/Write

|       |    |    |    |    |    |    |    |
|-------|----|----|----|----|----|----|----|
| 31    | 30 | 29 | 28 | 27 | 26 | 25 | 24 |
| --    |    |    |    |    |    |    |    |
| 23    | 22 | 21 | 20 | 19 | 18 | 17 | 16 |
| --    |    |    |    |    |    |    |    |
| 15    | 14 | 13 | 12 | 11 | 10 | 9  | 8  |
| TXCTR |    |    |    |    |    |    |    |
| 7     | 6  | 5  | 4  | 3  | 2  | 1  | 0  |
| TXCTR |    |    |    |    |    |    |    |

- **TXCTR: Transmit Counter Value**

TXCTR is the size of the transmit transfer to be performed. At zero, the peripheral DMA transfer is stopped.



## 23.4.5 PDC Receive Next Pointer Register

**Register Name:** PERIPH\_RNPR

**Access Type:** Read/Write

|        |    |    |    |    |    |    |    |
|--------|----|----|----|----|----|----|----|
| 31     | 30 | 29 | 28 | 27 | 26 | 25 | 24 |
| RXNPTR |    |    |    |    |    |    |    |
| 23     | 22 | 21 | 20 | 19 | 18 | 17 | 16 |
| RXNPTR |    |    |    |    |    |    |    |
| 15     | 14 | 13 | 12 | 11 | 10 | 9  | 8  |
| RXNPTR |    |    |    |    |    |    |    |
| 7      | 6  | 5  | 4  | 3  | 2  | 1  | 0  |
| RXNPTR |    |    |    |    |    |    |    |

- **RXNPTR: Receive Next Pointer Address**

RXNPTR is the address of the next buffer to fill with received data when the current buffer is full.

## 23.4.6 PDC Receive Next Counter Register

**Register Name:** PERIPH\_RNCR

**Access Type:** Read/Write

|       |    |    |    |    |    |    |    |
|-------|----|----|----|----|----|----|----|
| 31    | 30 | 29 | 28 | 27 | 26 | 25 | 24 |
| --    |    |    |    |    |    |    |    |
| 23    | 22 | 21 | 20 | 19 | 18 | 17 | 16 |
| --    |    |    |    |    |    |    |    |
| 15    | 14 | 13 | 12 | 11 | 10 | 9  | 8  |
| RXNCR |    |    |    |    |    |    |    |
| 7     | 6  | 5  | 4  | 3  | 2  | 1  | 0  |
| RXNCR |    |    |    |    |    |    |    |

- **RXNCR: Receive Next Counter Value**

RXNCR is the size of the next buffer to receive.

### 23.4.7 PDC Transmit Next Pointer Register

**Register Name:** PERIPH\_TNPR

**Access Type:** Read/Write

|        |    |    |    |    |    |    |    |
|--------|----|----|----|----|----|----|----|
| 31     | 30 | 29 | 28 | 27 | 26 | 25 | 24 |
| TXNPTR |    |    |    |    |    |    |    |
| 23     | 22 | 21 | 20 | 19 | 18 | 17 | 16 |
| TXNPTR |    |    |    |    |    |    |    |
| 15     | 14 | 13 | 12 | 11 | 10 | 9  | 8  |
| TXNPTR |    |    |    |    |    |    |    |
| 7      | 6  | 5  | 4  | 3  | 2  | 1  | 0  |
| TXNPTR |    |    |    |    |    |    |    |

- **TXNPTR: Transmit Next Pointer Address**

TXNPTR is the address of the next buffer to transmit when the current buffer is empty.

### 23.4.8 PDC Transmit Next Counter Register

**Register Name:** PERIPH\_TNCR

**Access Type:** Read/Write

|       |    |    |    |    |    |    |    |
|-------|----|----|----|----|----|----|----|
| 31    | 30 | 29 | 28 | 27 | 26 | 25 | 24 |
| --    |    |    |    |    |    |    |    |
| 23    | 22 | 21 | 20 | 19 | 18 | 17 | 16 |
| --    |    |    |    |    |    |    |    |
| 15    | 14 | 13 | 12 | 11 | 10 | 9  | 8  |
| TXNCR |    |    |    |    |    |    |    |
| 7     | 6  | 5  | 4  | 3  | 2  | 1  | 0  |
| TXNCR |    |    |    |    |    |    |    |

- **TXNCR: Transmit Next Counter Value**

TXNCR is the size of the next buffer to transmit.

## 23.4.9 PDC Transfer Control Register

**Register Name:** PERIPH\_PTCR

**Access Type:** Write-only

|    |    |    |    |    |    |        |       |
|----|----|----|----|----|----|--------|-------|
| 31 | 30 | 29 | 28 | 27 | 26 | 25     | 24    |
| –  | –  | –  | –  | –  | –  | –      | –     |
| 23 | 22 | 21 | 20 | 19 | 18 | 17     | 16    |
| –  | –  | –  | –  | –  | –  | –      | –     |
| 15 | 14 | 13 | 12 | 11 | 10 | 9      | 8     |
| –  | –  | –  | –  | –  | –  | TXTDIS | TXTEN |
| 7  | 6  | 5  | 4  | 3  | 2  | 1      | 0     |
| –  | –  | –  | –  | –  | –  | RXTDIS | RXTEN |

- **RXTEN: Receiver Transfer Enable**

0 = No effect.

1 = Enables the receiver PDC transfer requests if RXTDIS is not set.

- **RXTDIS: Receiver Transfer Disable**

0 = No effect.

1 = Disables the receiver PDC transfer requests.

- **TXTEN: Transmitter Transfer Enable**

0 = No effect.

1 = Enables the transmitter PDC transfer requests.

- **TXTDIS: Transmitter Transfer Disable**

0 = No effect.

1 = Disables the transmitter PDC transfer requests



### 23.4.10 PDC Transfer Status Register

**Register Name:** PERIPH\_PTSR

**Access Type:** Read-only

|    |    |    |    |    |    |    |       |
|----|----|----|----|----|----|----|-------|
| 31 | 30 | 29 | 28 | 27 | 26 | 25 | 24    |
| –  | –  | –  | –  | –  | –  | –  | –     |
| 23 | 22 | 21 | 20 | 19 | 18 | 17 | 16    |
| –  | –  | –  | –  | –  | –  | –  | –     |
| 15 | 14 | 13 | 12 | 11 | 10 | 9  | 8     |
| –  | –  | –  | –  | –  | –  | –  | TXTEN |
| 7  | 6  | 5  | 4  | 3  | 2  | 1  | 0     |
| –  | –  | –  | –  | –  | –  | –  | RXTEN |

- **RXTEN: Receiver Transfer Enable**

0 = Receiver PDC transfer requests are disabled.

1 = Receiver PDC transfer requests are enabled.

- **TXTEN: Transmitter Transfer Enable**

0 = Transmitter PDC transfer requests are disabled.

1 = Transmitter PDC transfer requests are enabled.

## 24. Advanced Interrupt Controller (AIC)

### 24.1 Overview

The Advanced Interrupt Controller (AIC) is an 8-level priority, individually maskable, vectored interrupt controller, providing handling of up to thirty-two interrupt sources. It is designed to substantially reduce the software and real-time overhead in handling internal and external interrupts.

The AIC drives the nFIQ (fast interrupt request) and the nIRQ (standard interrupt request) inputs of an ARM processor. Inputs of the AIC are either internal peripheral interrupts or external interrupts coming from the product's pins.

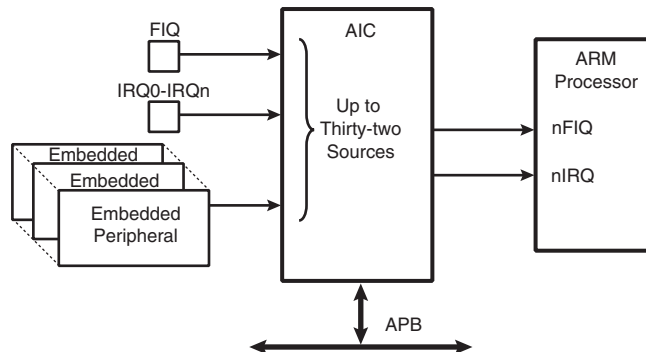
The 8-level Priority Controller allows the user to define the priority for each interrupt source, thus permitting higher priority interrupts to be serviced even if a lower priority interrupt is being treated.

Internal interrupt sources can be programmed to be level sensitive or edge triggered. External interrupt sources can be programmed to be positive-edge or negative-edge triggered or high-level or low-level sensitive.

The fast forcing feature redirects any internal or external interrupt source to provide a fast interrupt rather than a normal interrupt.

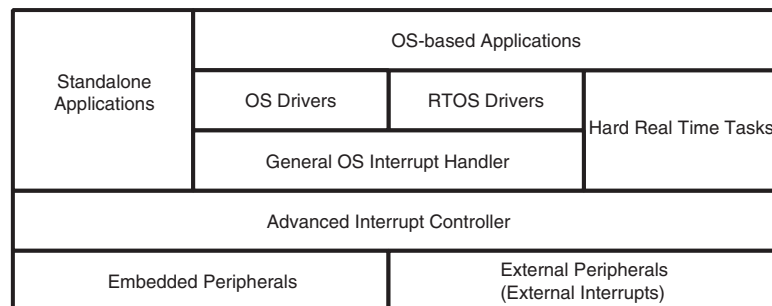
### 24.2 Block Diagram

Figure 24-1. Block Diagram



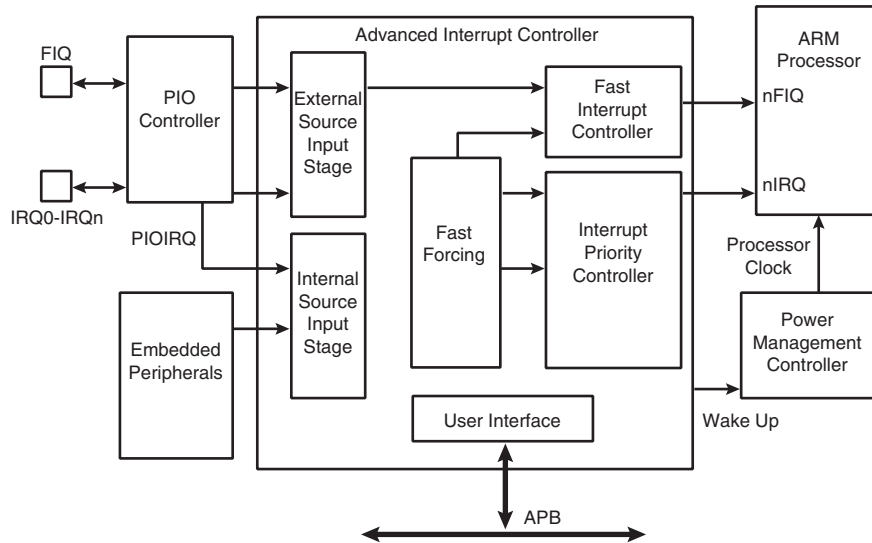
### 24.3 Application Block Diagram

Figure 24-2. Description of the Application Block



## 24.4 AIC Detailed Block Diagram

Figure 24-3. AIC Detailed Block Diagram



## 24.5 I/O Line Description

Table 24-1. I/O Line Description

| Pin Name    | Pin Description           | Type  |
|-------------|---------------------------|-------|
| FIQ         | Fast Interrupt            | Input |
| IRQ0 - IRQn | Interrupt 0 - Interrupt n | Input |

## 24.6 Product Dependencies

### 24.6.1 I/O Lines

The interrupt signals FIQ and IRQ0 to IRQn are normally multiplexed through the PIO controllers. Depending on the features of the PIO controller used in the product, the pins must be programmed in accordance with their assigned interrupt function. This is not applicable when the PIO controller used in the product is transparent on the input path.

### 24.6.2 Power Management

The Advanced Interrupt Controller is continuously clocked. The Power Management Controller has no effect on the Advanced Interrupt Controller behavior.

The assertion of the Advanced Interrupt Controller outputs, either nIRQ or nFIQ, wakes up the ARM processor while it is in Idle Mode. The General Interrupt Mask feature enables the AIC to wake up the processor without asserting the interrupt line of the processor, thus providing synchronization of the processor on an event.

### 24.6.3 Interrupt Sources

The Interrupt Source 0 is always located at FIQ. If the product does not feature an FIQ pin, the Interrupt Source 0 cannot be used.

The Interrupt Source 1 is always located at System Interrupt. This is the result of the OR-wiring of the system peripheral interrupt lines, such as the System Timer, the Real Time Clock, the Power Management Controller and the Memory Controller. When a system interrupt occurs, the service routine must first distinguish the cause of the interrupt. This is performed by reading successively the status registers of the above mentioned system peripherals.

The interrupt sources 2 to 31 can either be connected to the interrupt outputs of an embedded user peripheral or to external interrupt lines. The external interrupt lines can be connected directly, or through the PIO Controller.

The PIO Controllers are considered as user peripherals in the scope of interrupt handling. Accordingly, the PIO Controller interrupt lines are connected to the Interrupt Sources 2 to 31.

The peripheral identification defined at the product level corresponds to the interrupt source number (as well as the bit number controlling the clock of the peripheral). Consequently, to simplify the description of the functional operations and the user interface, the interrupt sources are named FIQ, SYS, and PID2 to PID31.

## 24.7 Functional Description

### 24.7.1 Interrupt Source Control

#### 24.7.1.1 *Interrupt Source Mode*

The Advanced Interrupt Controller independently programs each interrupt source. The SRC-TYPE field of the corresponding AIC\_SMR (Source Mode Register) selects the interrupt condition of each source.

The internal interrupt sources wired on the interrupt outputs of the embedded peripherals can be programmed either in level-sensitive mode or in edge-triggered mode. The active level of the internal interrupts is not important for the user.

The external interrupt sources can be programmed either in high level-sensitive or low level-sensitive modes, or in positive edge-triggered or negative edge-triggered modes.

#### 24.7.1.2 *Interrupt Source Enabling*

Each interrupt source, including the FIQ in source 0, can be enabled or disabled by using the command registers; AIC\_IECR (Interrupt Enable Command Register) and AIC\_IDCR (Interrupt Disable Command Register). This set of registers conducts enabling or disabling in one instruction. The interrupt mask can be read in the AIC\_IMR register. A disabled interrupt does not affect servicing of other interrupts.

#### 24.7.1.3 *Interrupt Clearing and Setting*

All interrupt sources programmed to be edge-triggered (including the FIQ in source 0) can be individually set or cleared by writing respectively the AIC\_ISCR and AIC\_ICCR registers. Clearing or setting interrupt sources programmed in level-sensitive mode has no effect.

The clear operation is perfunctory, as the software must perform an action to reinitialize the “memorization” circuitry activated when the source is programmed in edge-triggered mode. However, the set operation is available for auto-test or software debug purposes. It can also be used to execute an AIC-implementation of a software interrupt.

The AIC features an automatic clear of the current interrupt when the AIC\_IVR (Interrupt Vector Register) is read. Only the interrupt source being detected by the AIC as the current interrupt is affected by this operation. (See “Priority Controller” on page 155.) The automatic clear reduces the operations required by the interrupt service routine entry code to reading the AIC\_IVR. Note that the automatic interrupt clear is disabled if the interrupt source has the Fast Forcing feature enabled as it is considered uniquely as an FIQ source. (See “Fast Forcing” on page 159.)

The automatic clear of the interrupt source 0 is performed when AIC\_FVR is read.

#### 24.7.1.4 *Interrupt Status*

For each interrupt, the AIC operation originates in AIC\_IPR (Interrupt Pending Register) and its mask in AIC\_IMR (Interrupt Mask Register). AIC\_IPR enables the actual activity of the sources, whether masked or not.

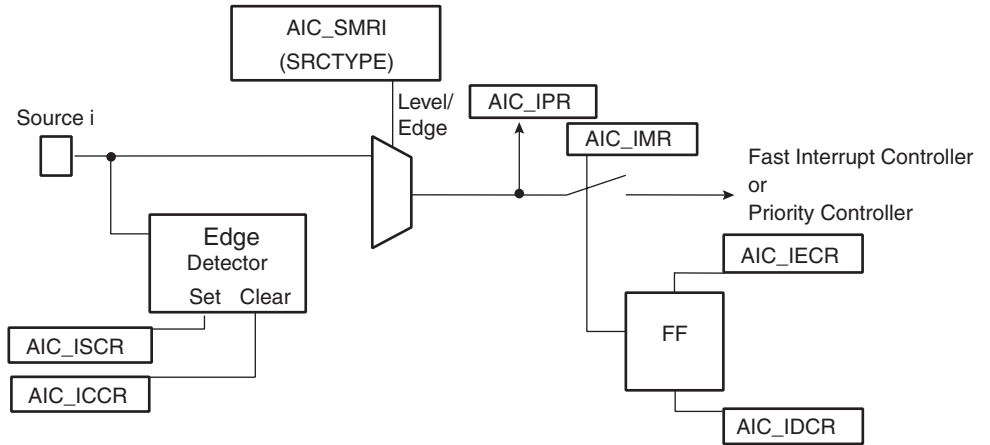
The AIC\_ISR register reads the number of the current interrupt (see “Priority Controller” on page 155) and the register AIC\_CISR gives an image of the signals nIRQ and nFIQ driven on the processor.

Each status referred to above can be used to optimize the interrupt handling of the systems.



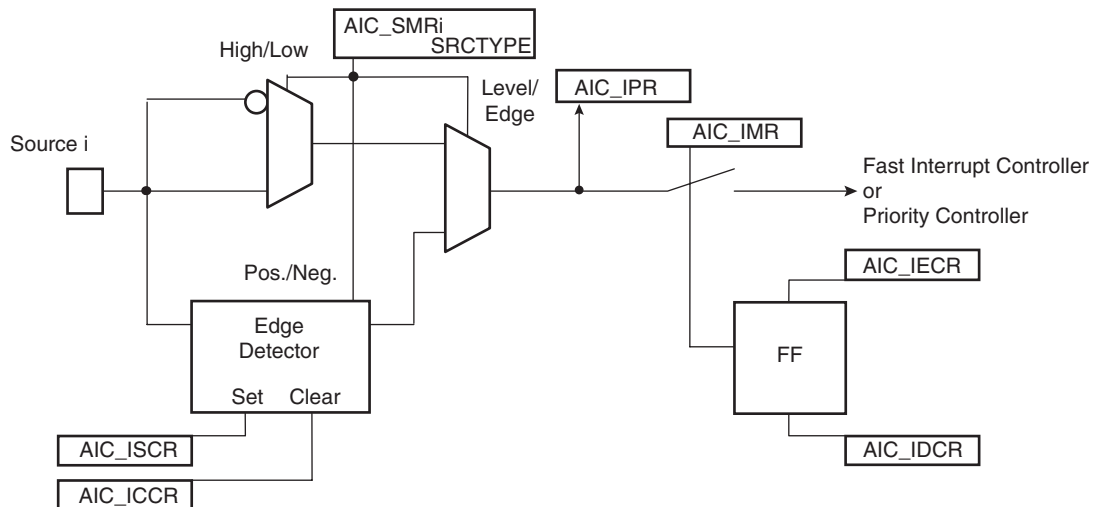
## 24.7.1.5 Internal Interrupt Source Input Stage

**Figure 24-4.** Internal Interrupt Source Input Stage



## 24.7.1.6 External Interrupt Source Input Stage

**Figure 24-5.** External Interrupt Source Input Stage



## 24.7.2 Interrupt Latencies

Global interrupt latencies depend on several parameters, including:

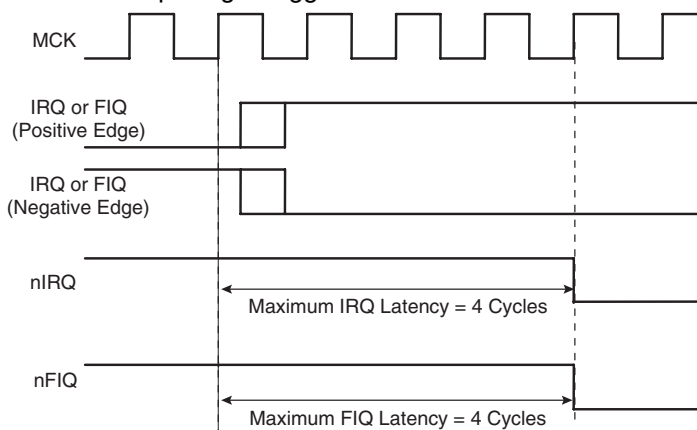
- The time the software masks the interrupts.
- Occurrence, either at the processor level or at the AIC level.
- The execution time of the instruction in progress when the interrupt occurs.
- The treatment of higher priority interrupts and the resynchronization of the hardware signals.

This section addresses only the hardware resynchronizations. It gives details of the latency times between the event on an external interrupt leading in a valid interrupt (edge or level) or the assertion of an internal interrupt source and the assertion of the nIRQ or nFIQ line on the processor. The resynchronization time depends on the programming of the interrupt source and on its type (internal or external). For the standard interrupt, resynchronization times are given assuming there is no higher priority in progress.

The PIO Controller multiplexing has no effect on the interrupt latencies of the external interrupt sources.

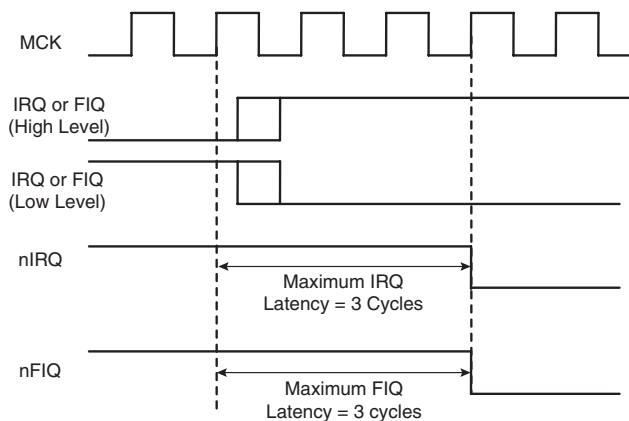
### 24.7.2.1 External Interrupt Edge Triggered Source

**Figure 24-6.** External Interrupt Edge Triggered Source



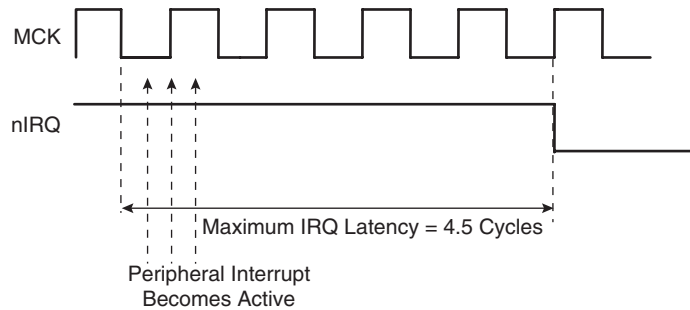
### 24.7.2.2 External Interrupt Level Sensitive Source

**Figure 24-7.** External Interrupt Level Sensitive Source



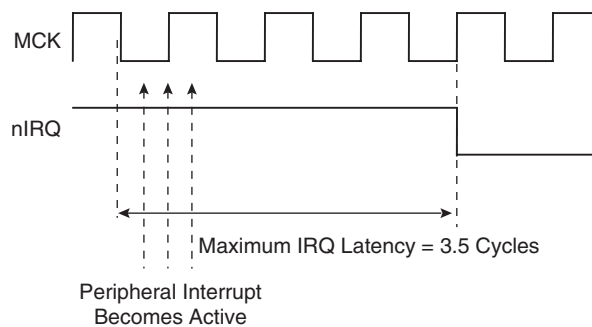
## 24.7.2.3 Internal Interrupt Edge Triggered Source

**Figure 24-8.** Internal Interrupt Edge Triggered Source



## 24.7.2.4 Internal Interrupt Level Sensitive Source

**Figure 24-9.** Internal Interrupt Level Sensitive Source



## 24.7.3 Normal Interrupt

### 24.7.3.1 Priority Controller

An 8-level priority controller drives the nIRQ line of the processor, depending on the interrupt conditions occurring on the interrupt sources 1 to 31 (except for those programmed in Fast Forcing).

Each interrupt source has a programmable priority level of 7 to 0, which is user-definable by writing the PRIOR field of the corresponding AIC\_SMR (Source Mode Register). Level 7 is the highest priority and level 0 the lowest.

As soon as an interrupt condition occurs, as defined by the SRCTYPE field of the AIC\_SVR (Source Vector Register), the nIRQ line is asserted. As a new interrupt condition might have happened on other interrupt sources since the nIRQ has been asserted, the priority controller determines the current interrupt at the time the AIC\_IVR (Interrupt Vector Register) is read. **The read of AIC\_IVR is the entry point of the interrupt handling** which allows the AIC to consider that the interrupt has been taken into account by the software.

The current priority level is defined as the priority level of the current interrupt.

If several interrupt sources of equal priority are pending and enabled when the AIC\_IVR is read, the interrupt with the lowest interrupt source number is serviced first.

The nIRQ line can be asserted only if an interrupt condition occurs on an interrupt source with a higher priority. If an interrupt condition happens (or is pending) during the interrupt treatment in

progress, it is delayed until the software indicates to the AIC the end of the current service by writing the AIC\_EOICR (End of Interrupt Command Register). **The write of AIC\_EOICR is the exit point of the interrupt handling.**

### 24.7.3.2 *Interrupt Nesting*

The priority controller utilizes interrupt nesting in order for the high priority interrupt to be handled during the service of lower priority interrupts. This requires the interrupt service routines of the lower interrupts to re-enable the interrupt at the processor level.

When an interrupt of a higher priority happens during an already occurring interrupt service routine, the nIRQ line is re-asserted. If the interrupt is enabled at the core level, the current execution is interrupted and the new interrupt service routine should read the AIC\_IVR. At this time, the current interrupt number and its priority level are pushed into an embedded hardware stack, so that they are saved and restored when the higher priority interrupt servicing is finished and the AIC\_EOICR is written.

The AIC is equipped with an 8-level wide hardware stack in order to support up to eight interrupt nestings pursuant to having eight priority levels.

### 24.7.3.3 *Interrupt Vectoring*

The interrupt handler addresses corresponding to each interrupt source can be stored in the registers AIC\_SVR1 to AIC\_SVR31 (Source Vector Register 1 to 31). When the processor reads AIC\_IVR (Interrupt Vector Register), the value written into AIC\_SVR corresponding to the current interrupt is returned.

This feature offers a way to branch in one single instruction to the handler corresponding to the current interrupt, as AIC\_IVR is mapped at the absolute address 0xFFFF F100 and thus accessible from the ARM interrupt vector at address 0x0000 0018 through the following instruction:

```
LDR PC, [PC, # -&F20]
```

When the processor executes this instruction, it loads the read value in AIC\_IVR in its program counter, thus branching the execution on the correct interrupt handler.

This feature is often not used when the application is based on an operating system (either real time or not). Operating systems often have a single entry point for all the interrupts and the first task performed is to discern the source of the interrupt.

However, it is strongly recommended to port the operating system on AT91 products by supporting the interrupt vectoring. This can be performed by defining all the AIC\_SVR of the interrupt source to be handled by the operating system at the address of its interrupt handler. When doing so, the interrupt vectoring permits a critical interrupt to transfer the execution on a specific very fast handler and not onto the operating system's general interrupt handler. This facilitates the support of hard real-time tasks (input/outputs of voice/audio buffers and software peripheral handling) to be handled efficiently and independently of the application running under an operating system.

### 24.7.3.4 *Interrupt Handlers*

This section gives an overview of the fast interrupt handling sequence when using the AIC. It is assumed that the programmer understands the architecture of the ARM processor, and especially the processor interrupt modes and the associated status bits.

It is assumed that:

1. The Advanced Interrupt Controller has been programmed, AIC\_SVR registers are loaded with corresponding interrupt service routine addresses and interrupts are enabled.
2. The instruction at the ARM interrupt exception vector address is required to work with the vectoring

```
LDR PC, [PC, # -&F20]
```

When nIRQ is asserted, if the bit “I” of CPSR is 0, the sequence is as follows:

1. The CPSR is stored in SPSR\_irq, the current value of the Program Counter is loaded in the Interrupt link register (R14\_irq) and the Program Counter (R15) is loaded with 0x18. In the following cycle during fetch at address 0x1C, the ARM core adjusts R14\_irq, decrementing it by four.
2. The ARM core enters Interrupt mode, if it has not already done so.
3. When the instruction loaded at address 0x18 is executed, the program counter is loaded with the value read in AIC\_IVR. Reading the AIC\_IVR has the following effects:
  - Sets the current interrupt to be the pending and enabled interrupt with the highest priority. The current level is the priority level of the current interrupt.
  - De-asserts the nIRQ line on the processor. Even if vectoring is not used, AIC\_IVR must be read in order to de-assert nIRQ.
  - Automatically clears the interrupt, if it has been programmed to be edge-triggered.
  - Pushes the current level and the current interrupt number on to the stack.
  - Returns the value written in the AIC\_SVR corresponding to the current interrupt.
4. The previous step has the effect of branching to the corresponding interrupt service routine. This should start by saving the link register (R14\_irq) and SPSR\_IRQ. The link register must be decremented by four when it is saved if it is to be restored directly into the program counter at the end of the interrupt. For example, the instruction `SUB PC, LR, #4` may be used.
5. Further interrupts can then be unmasked by clearing the “I” bit in CPSR, allowing re-assertion of the nIRQ to be taken into account by the core. This can happen if an interrupt with a higher priority than the current interrupt occurs.
6. The interrupt handler can then proceed as required, saving the registers that will be used and restoring them at the end. During this phase, an interrupt of higher priority than the current level will restart the sequence from step 1.

Note: If the interrupt is programmed to be level sensitive, the source of the interrupt must be cleared during this phase.

7. The “I” bit in CPSR must be set in order to mask interrupts before exiting to ensure that the interrupt is completed in an orderly manner.
8. The End of Interrupt Command Register (AIC\_EOICR) must be written in order to indicate to the AIC that the current interrupt is finished. This causes the current level to be popped from the stack, restoring the previous current level if one exists on the stack. If another interrupt is pending, with lower or equal priority than the old current level but with higher priority than the new current level, the nIRQ line is re-asserted, but the interrupt sequence does not immediately start because the “I” bit is set in the core. SPSR\_irq is restored. Finally, the saved value of the link register is restored directly into the PC. This has the effect of returning from the interrupt to whatever was being executed before, and of loading the CPSR with the stored SPSR, masking or unmasking the interrupts depending on the state saved in SPSR\_irq.

Note: The “I” bit in SPSR is significant. If it is set, it indicates that the ARM core was on the verge of masking an interrupt when the mask instruction was interrupted. Hence, when SPSR is restored, the mask instruction is completed (interrupt is masked).

## 24.7.4 Fast Interrupt

### 24.7.4.1 Fast Interrupt Source

The interrupt source 0 is the only source which can raise a fast interrupt request to the processor except if fast forcing is used. The interrupt source 0 is generally connected to an FIQ pin of the product, either directly or through a PIO Controller.

### 24.7.4.2 Fast Interrupt Control

The fast interrupt logic of the AIC has no priority controller. The mode of interrupt source 0 is programmed with the AIC\_SMR0 and the field PRIOR of this register is not used even if it reads what has been written. The field SRCTYPE of AIC\_SMR0 enables programming the fast interrupt source to be positive-edge triggered or negative-edge triggered or high-level sensitive or low-level sensitive

Writing 0x1 in the AIC\_IECR (Interrupt Enable Command Register) and AIC\_IDCR (Interrupt Disable Command Register) respectively enables and disables the fast interrupt. The bit 0 of AIC\_IMR (Interrupt Mask Register) indicates whether the fast interrupt is enabled or disabled.

### 24.7.4.3 Fast Interrupt Vectoring

The fast interrupt handler address can be stored in AIC\_SVR0 (Source Vector Register 0). The value written into this register is returned when the processor reads AIC\_FVR (Fast Vector Register). This offers a way to branch in one single instruction to the interrupt handler, as AIC\_FVR is mapped at the absolute address 0xFFFF F104 and thus accessible from the ARM fast interrupt vector at address 0x0000 001C through the following instruction:

```
LDR PC, [PC, # -&F20]
```

When the processor executes this instruction it loads the value read in AIC\_FVR in its program counter, thus branching the execution on the fast interrupt handler. It also automatically performs the clear of the fast interrupt source if it is programmed in edge-triggered mode.

### 24.7.4.4 Fast Interrupt Handlers

This section gives an overview of the fast interrupt handling sequence when using the AIC. It is assumed that the programmer understands the architecture of the ARM processor, and especially the processor interrupt modes and associated status bits.

Assuming that:

1. The Advanced Interrupt Controller has been programmed, AIC\_SVR0 is loaded with the fast interrupt service routine address, and the interrupt source 0 is enabled.
2. The Instruction at address 0x1C (FIQ exception vector address) is required to vector the fast interrupt:

```
LDR PC, [PC, # -&F20]
```

3. The user does not need nested fast interrupts.

When nFIQ is asserted, if the bit "F" of CPSR is 0, the sequence is:

1. The CPSR is stored in SPSR\_fiq, the current value of the program counter is loaded in the FIQ link register (R14\_fiq) and the program counter (R15) is loaded with 0x1C. In the following cycle, during fetch at address 0x20, the ARM core adjusts R14\_fiq, decrementing it by four.
2. The ARM core enters FIQ mode.

3. When the instruction loaded at address 0x1C is executed, the program counter is loaded with the value read in AIC\_FVR. Reading the AIC\_FVR has effect of automatically clearing the fast interrupt, if it has been programmed to be edge triggered. In this case only, it de-asserts the nFIQ line on the processor.
4. The previous step enables branching to the corresponding interrupt service routine. It is not necessary to save the link register R14\_fiq and SPSR\_fiq if nested fast interrupts are not needed.
5. The Interrupt Handler can then proceed as required. It is not necessary to save registers R8 to R13 because FIQ mode has its own dedicated registers and the user R8 to R13 are banked. The other registers, R0 to R7, must be saved before being used, and restored at the end (before the next step). Note that if the fast interrupt is programmed to be level sensitive, the source of the interrupt must be cleared during this phase in order to de-assert the interrupt source 0.
6. Finally, the Link Register R14\_fiq is restored into the PC after decrementing it by four (with instruction `SUB PC, LR, #4` for example). This has the effect of returning from the interrupt to whatever was being executed before, loading the CPSR with the SPSR and masking or unmasking the fast interrupt depending on the state saved in the SPSR.

Note: The "F" bit in SPSR is significant. If it is set, it indicates that the ARM core was just about to mask FIQ interrupts when the mask instruction was interrupted. Hence when the SPSR is restored, the interrupted instruction is completed (FIQ is masked).

Another way to handle the fast interrupt is to map the interrupt service routine at the address of the ARM vector 0x1C. This method does not use the vectoring, so that reading AIC\_FVR must be performed at the very beginning of the handler operation. However, this method saves the execution of a branch instruction.

#### 24.7.4.5 Fast Forcing

The Fast Forcing feature of the advanced interrupt controller provides redirection of any normal Interrupt source on the fast interrupt controller.

Fast Forcing is enabled or disabled by writing to the Fast Forcing Enable Register (AIC\_FFER) and the Fast Forcing Disable Register (AIC\_FFDR). Writing to these registers results in an update of the Fast Forcing Status Register (AIC\_FFSR) that controls the feature for each internal or external interrupt source.

When Fast Forcing is disabled, the interrupt sources are handled as described in the previous pages.

When Fast Forcing is enabled, the edge/level programming and, in certain cases, edge detection of the interrupt source is still active but the source cannot trigger a normal interrupt to the processor and is not seen by the priority handler.

If the interrupt source is programmed in level-sensitive mode and an active level is sampled, Fast Forcing results in the assertion of the nFIQ line to the core.

If the interrupt source is programmed in edge-triggered mode and an active edge is detected, Fast Forcing results in the assertion of the nFIQ line to the core.

The Fast Forcing feature does not affect the Source 0 pending bit in the Interrupt Pending Register (AIC\_IPR).

The Fast Interrupt Vector Register (AIC\_FVR) reads the contents of the Source Vector Register 0 (AIC\_SVR0), whatever the source of the fast interrupt may be. The read of the FVR does not

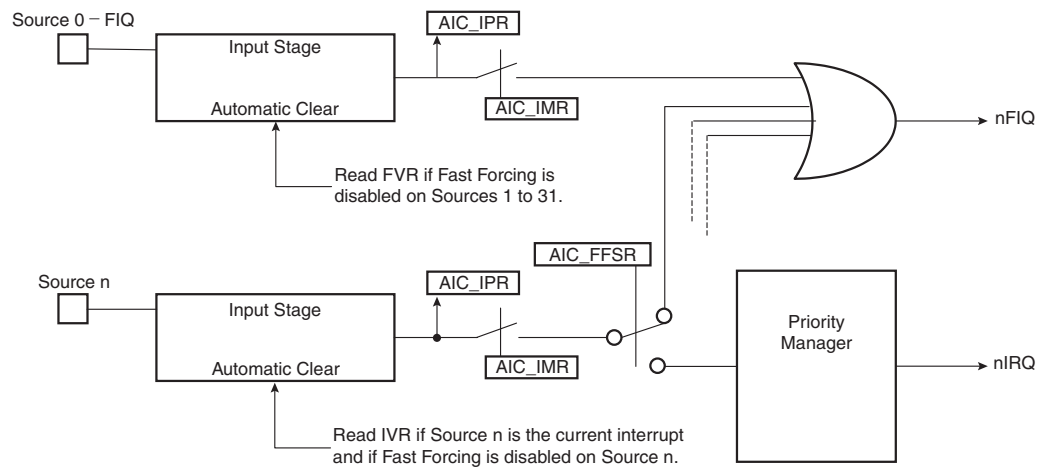
clear the Source 0 when the fast forcing feature is used and the interrupt source should be cleared by writing to the Interrupt Clear Command Register (AIC\_ICCR).

All enabled and pending interrupt sources that have the fast forcing feature enabled and that are programmed in edge-triggered mode must be cleared by writing to the Interrupt Clear Command Register. In doing so, they are cleared independently and thus lost interrupts are prevented.

The read of AIC\_IVR does not clear the source that has the fast forcing feature enabled.

The source 0, reserved to the fast interrupt, continues operating normally and becomes one of the Fast Interrupt sources.

**Figure 24-10. Fast Forcing**



### 24.7.5 Protect Mode

The Protect Mode permits reading the Interrupt Vector Register without performing the associated automatic operations. This is necessary when working with a debug system. When a debugger, working either with a Debug Monitor or the ARM processor's ICE, stops the applications and updates the opened windows, it might read the AIC User Interface and thus the IVR. This has undesirable consequences:

- If an enabled interrupt with a higher priority than the current one is pending, it is stacked.
- If there is no enabled pending interrupt, the spurious vector is returned.

In either case, an End of Interrupt command is necessary to acknowledge and to restore the context of the AIC. This operation is generally not performed by the debug system as the debug system would become strongly intrusive and cause the application to enter an undesired state.

This is avoided by using the Protect Mode. Writing DBGM in AIC\_DCR (Debug Control Register) at 0x1 enables the Protect Mode.

When the Protect Mode is enabled, the AIC performs interrupt stacking only when a write access is performed on the AIC\_IVR. Therefore, the Interrupt Service Routines must write (arbitrary data) to the AIC\_IVR just after reading it. The new context of the AIC, including the value of the Interrupt Status Register (AIC\_ISR), is updated with the current interrupt only when AIC\_IVR is written.

An AIC\_IVR read on its own (e.g., by a debugger), modifies neither the AIC context nor the AIC\_ISR. Extra AIC\_IVR reads perform the same operations. However, it is recommended to



not stop the processor between the read and the write of AIC\_IVR of the interrupt service routine to make sure the debugger does not modify the AIC context.

To summarize, in normal operating mode, the read of AIC\_IVR performs the following operations within the AIC:

1. Calculates active interrupt (higher than current or spurious).
2. Determines and returns the vector of the active interrupt.
3. Memorizes the interrupt.
4. Pushes the current priority level onto the internal stack.
5. Acknowledges the interrupt.

However, while the Protect Mode is activated, only operations 1 to 3 are performed when AIC\_IVR is read. Operations 4 and 5 are only performed by the AIC when AIC\_IVR is written.

Software that has been written and debugged using the Protect Mode runs correctly in Normal Mode without modification. However, in Normal Mode the AIC\_IVR write has no effect and can be removed to optimize the code.

## 24.7.6 Spurious Interrupt

The Advanced Interrupt Controller features protection against spurious interrupts. A spurious interrupt is defined as being the assertion of an interrupt source long enough for the AIC to assert the nIRQ, but no longer present when AIC\_IVR is read. This is most prone to occur when:

- An external interrupt source is programmed in level-sensitive mode and an active level occurs for only a short time.
- An internal interrupt source is programmed in level sensitive and the output signal of the corresponding embedded peripheral is activated for a short time. (As in the case for the Watchdog.)
- An interrupt occurs just a few cycles before the software begins to mask it, thus resulting in a pulse on the interrupt source.

The AIC detects a spurious interrupt at the time the AIC\_IVR is read while no enabled interrupt source is pending. When this happens, the AIC returns the value stored by the programmer in AIC\_SPU (Spurious Vector Register). The programmer must store the address of a spurious interrupt handler in AIC\_SPU as part of the application, to enable an as fast as possible return to the normal execution flow. This handler writes in AIC\_EOICR and performs a return from interrupt.

## 24.7.7 General Interrupt Mask

The AIC features a General Interrupt Mask bit to prevent interrupts from reaching the processor. Both the nIRQ and the nFIQ lines are driven to their inactive state if the bit GMSK in AIC\_DCR (Debug Control Register) is set. However, this mask does not prevent waking up the processor if it has entered Idle Mode. This function facilitates synchronizing the processor on a next event and, as soon as the event occurs, performs subsequent operations without having to handle an interrupt. It is strongly recommended to use this mask with caution.

## 24.8 Advanced Interrupt Controller (AIC) User Interface

### 24.8.1 Base Address

The AIC is mapped at the address **0xFFFF F000**. It has a total 4-Kbyte addressing space. This permits the vectoring feature, as the PC-relative load/store instructions of the ARM processor support only an  $\pm 4$ -Kbyte offset.

**Table 24-2.** Advanced Interrupt Controller (AIC) Register Mapping

| Offset | Register                           | Name      | Access     | Reset Value        |
|--------|------------------------------------|-----------|------------|--------------------|
| 0000   | Source Mode Register 0             | AIC_SMR0  | Read/Write | 0x0                |
| 0x04   | Source Mode Register 1             | AIC_SMR1  | Read/Write | 0x0                |
| ---    | ---                                | ---       | ---        | ---                |
| 0x7C   | Source Mode Register 31            | AIC_SMR31 | Read/Write | 0x0                |
| 0x80   | Source Vector Register 0           | AIC_SVR0  | Read/Write | 0x0                |
| 0x84   | Source Vector Register 1           | AIC_SVR1  | Read/Write | 0x0                |
| ---    | ---                                | ---       | ---        | ---                |
| 0xFC   | Source Vector Register 31          | AIC_SVR31 | Read/Write | 0x0                |
| 0x100  | Interrupt Vector Register          | AIC_IVR   | Read-only  | 0x0                |
| 0x104  | Fast Interrupt Vector Register     | AIC_FVR   | Read-only  | 0x0                |
| 0x108  | Interrupt Status Register          | AIC_ISR   | Read-only  | 0x0                |
| 0x10C  | Interrupt Pending Register         | AIC_IPR   | Read-only  | 0x0 <sup>(1)</sup> |
| 0x110  | Interrupt Mask Register            | AIC_IMR   | Read-only  | 0x0                |
| 0x114  | Core Interrupt Status Register     | AIC_CISR  | Read-only  | 0x0                |
| 0x118  | Reserved                           | ---       | ---        | ---                |
| 0x11C  | Reserved                           | ---       | ---        | ---                |
| 0x120  | Interrupt Enable Command Register  | AIC_IECR  | Write-only | ---                |
| 0x124  | Interrupt Disable Command Register | AIC_IDCR  | Write-only | ---                |
| 0x128  | Interrupt Clear Command Register   | AIC_ICCR  | Write-only | ---                |
| 0x12C  | Interrupt Set Command Register     | AIC_ISCR  | Write-only | ---                |
| 0x130  | End of Interrupt Command Register  | AIC_EOICR | Write-only | ---                |
| 0x134  | Spurious Interrupt Vector Register | AIC_SPU   | Read/Write | 0x0                |
| 0x138  | Debug Control Register             | AIC_DCR   | Read/Write | 0x0                |
| 0x13C  | Reserved                           | ---       | ---        | ---                |
| 0x140  | Fast Forcing Enable Register       | AIC_FFER  | Write-only | ---                |
| 0x144  | Fast Forcing Disable Register      | AIC_FFDR  | Write-only | ---                |
| 0x148  | Fast Forcing Status Register       | AIC_FFSSR | Read-only  | 0x0                |

Note: 1. The reset value of this register depends on the level of the external interrupt source. All other sources are cleared at reset, thus not pending.

## 24.8.2 AIC Source Mode Register

**Register Name:** AIC\_SMR0..AIC\_SMR31

**Access Type:** Read/Write

**Reset Value:** 0x0

|    |         |    |    |    |       |    |    |   |
|----|---------|----|----|----|-------|----|----|---|
| 31 | 30      | 29 | 28 | 27 | 26    | 25 | 24 |   |
| –  | –       | –  | –  | –  | –     | –  | –  |   |
| 23 | 22      | 21 | 20 | 19 | 18    | 17 | 16 |   |
| –  | –       | –  | –  | –  | –     | –  | –  |   |
| 15 | 14      | 13 | 12 | 11 | 10    | 9  | 8  |   |
| –  | –       | –  | –  | –  | –     | –  | –  |   |
| 7  | 6       | 5  | 4  | 3  | 2     | 1  | 0  |   |
| –  | SRCTYPE |    | –  | –  | PRIOR |    |    | – |

- **PRIOR: Priority Level**

Programs the priority level for all sources except FIQ source (source 0).

The priority level can be between 0 (lowest) and 7 (highest).

The priority level is not used for the FIQ in the related SMR register AIC\_SMRx.

- **SRCTYPE: Interrupt Source Type**

The active level or edge is not programmable for the internal interrupt sources.

| SRCTYPE |   | Internal Interrupt Sources | External Interrupt Sources |
|---------|---|----------------------------|----------------------------|
| 0       | 0 | High level Sensitive       | Low level Sensitive        |
| 0       | 1 | Positive edge triggered    | Negative edge triggered    |
| 1       | 0 | High level Sensitive       | High level Sensitive       |
| 1       | 1 | Positive edge triggered    | Positive edge triggered    |



### 24.8.3 AIC Source Vector Register

**Register Name:** AIC\_SVR0..AIC\_SVR31

**Access Type:** Read/Write

**Reset Value:** 0x0

|        |    |    |    |    |    |    |    |
|--------|----|----|----|----|----|----|----|
| 31     | 30 | 29 | 28 | 27 | 26 | 25 | 24 |
| VECTOR |    |    |    |    |    |    |    |
| 23     | 22 | 21 | 20 | 19 | 18 | 17 | 16 |
| VECTOR |    |    |    |    |    |    |    |
| 15     | 14 | 13 | 12 | 11 | 10 | 9  | 8  |
| VECTOR |    |    |    |    |    |    |    |
| 7      | 6  | 5  | 4  | 3  | 2  | 1  | 0  |
| VECTOR |    |    |    |    |    |    |    |

• **VECTOR: Source Vector**

The user may store in these registers the addresses of the corresponding handler for each interrupt source.

### 24.8.4 AIC Interrupt Vector Register

**Register Name:** AIC\_IVR

**Access Type:** Read-only

**Reset Value:** 0

|      |    |    |    |    |    |    |    |
|------|----|----|----|----|----|----|----|
| 31   | 30 | 29 | 28 | 27 | 26 | 25 | 24 |
| IRQV |    |    |    |    |    |    |    |
| 23   | 22 | 21 | 20 | 19 | 18 | 17 | 16 |
| IRQV |    |    |    |    |    |    |    |
| 15   | 14 | 13 | 12 | 11 | 10 | 9  | 8  |
| IRQV |    |    |    |    |    |    |    |
| 7    | 6  | 5  | 4  | 3  | 2  | 1  | 0  |
| IRQV |    |    |    |    |    |    |    |

• **IRQV: Interrupt Vector Register**

The Interrupt Vector Register contains the vector programmed by the user in the Source Vector Register corresponding to the current interrupt.

The Source Vector Register is indexed using the current interrupt number when the Interrupt Vector Register is read.

When there is no current interrupt, the Interrupt Vector Register reads the value stored in AIC\_SPU.

## 24.8.5 AIC FIQ Vector Register

**Register Name:** AIC\_FVR

**Access Type:** Read-only

**Reset Value:** 0

|      |    |    |    |    |    |    |    |
|------|----|----|----|----|----|----|----|
| 31   | 30 | 29 | 28 | 27 | 26 | 25 | 24 |
| FIQV |    |    |    |    |    |    |    |
| 23   | 22 | 21 | 20 | 19 | 18 | 17 | 16 |
| FIQV |    |    |    |    |    |    |    |
| 15   | 14 | 13 | 12 | 11 | 10 | 9  | 8  |
| FIQV |    |    |    |    |    |    |    |
| 7    | 6  | 5  | 4  | 3  | 2  | 1  | 0  |
| FIQV |    |    |    |    |    |    |    |

- **FIQV: FIQ Vector Register**

The FIQ Vector Register contains the vector programmed by the user in the Source Vector Register 0. When there is no fast interrupt, the Fast Interrupt Vector Register reads the value stored in AIC\_SPU.

## 24.8.6 AIC Interrupt Status Register

**Register Name:** AIC\_ISR

**Access Type:** Read-only

**Reset Value:** 0

|    |    |    |       |    |    |    |    |   |
|----|----|----|-------|----|----|----|----|---|
| 31 | 30 | 29 | 28    | 27 | 26 | 25 | 24 |   |
| -  | -  | -  | -     | -  | -  | -  | -  |   |
| 23 | 22 | 21 | 20    | 19 | 18 | 17 | 16 |   |
| -  | -  | -  | -     | -  | -  | -  | -  |   |
| 15 | 14 | 13 | 12    | 11 | 10 | 9  | 8  |   |
| -  | -  | -  | -     | -  | -  | -  | -  |   |
| 7  | 6  | 5  | 4     | 3  | 2  | 1  | 0  |   |
| -  | -  | -  | IRQID |    |    |    |    | - |

- **IRQID: Current Interrupt Identifier**

The Interrupt Status Register returns the current interrupt source number.

### 24.8.7 AIC Interrupt Pending Register

**Register Name:** AIC\_IPR

**Access Type:** Read-only

**Reset Value:** 0

|       |       |       |       |       |       |       |       |
|-------|-------|-------|-------|-------|-------|-------|-------|
| 31    | 30    | 29    | 28    | 27    | 26    | 25    | 24    |
| PID31 | PID30 | PID29 | PID28 | PID27 | PID26 | PID25 | PID24 |
| 23    | 22    | 21    | 20    | 19    | 18    | 17    | 16    |
| PID23 | PID22 | PID21 | PID20 | PID19 | PID18 | PID17 | PID16 |
| 15    | 14    | 13    | 12    | 11    | 10    | 9     | 8     |
| PID15 | PID14 | PID13 | PID12 | PID11 | PID10 | PID9  | PID8  |
| 7     | 6     | 5     | 4     | 3     | 2     | 1     | 0     |
| PID7  | PID6  | PID5  | PID4  | PID3  | PID2  | SYS   | FIQ   |

• **FIQ, SYS, PID2-PID31: Interrupt Pending**

0 = Corresponding interrupt is not pending.

1 = Corresponding interrupt is pending.

### 24.8.8 AIC Interrupt Mask Register

**Register Name:** AIC\_IMR

**Access Type:** Read-only

**Reset Value:** 0

|       |       |       |       |       |       |       |       |
|-------|-------|-------|-------|-------|-------|-------|-------|
| 31    | 30    | 29    | 28    | 27    | 26    | 25    | 24    |
| PID31 | PID30 | PID29 | PID28 | PID27 | PID26 | PID25 | PID24 |
| 23    | 22    | 21    | 20    | 19    | 18    | 17    | 16    |
| PID23 | PID22 | PID21 | PID20 | PID19 | PID18 | PID17 | PID16 |
| 15    | 14    | 13    | 12    | 11    | 10    | 9     | 8     |
| PID15 | PID14 | PID13 | PID12 | PID11 | PID10 | PID9  | PID8  |
| 7     | 6     | 5     | 4     | 3     | 2     | 1     | 0     |
| PID7  | PID6  | PID5  | PID4  | PID3  | PID2  | SYS   | FIQ   |

• **FIQ, SYS, PID2-PID31: Interrupt Mask**

0 = Corresponding interrupt is disabled.

1 = Corresponding interrupt is enabled.

## 24.8.9 AIC Core Interrupt Status Register

**Register Name:** AIC\_CISR

**Access Type:** Read-only

**Reset Value:** 0

|    |    |    |    |    |    |      |      |
|----|----|----|----|----|----|------|------|
| 31 | 30 | 29 | 28 | 27 | 26 | 25   | 24   |
| –  | –  | –  | –  | –  | –  | –    | –    |
| 23 | 22 | 21 | 20 | 19 | 18 | 17   | 16   |
| –  | –  | –  | –  | –  | –  | –    | –    |
| 15 | 14 | 13 | 12 | 11 | 10 | 9    | 8    |
| –  | –  | –  | –  | –  | –  | –    | –    |
| 7  | 6  | 5  | 4  | 3  | 2  | 1    | 0    |
| –  | –  | –  | –  | –  | –  | NIRQ | NFIQ |

- **NFIQ: NFIQ Status**

0 = nFIQ line is deactivated.

1 = nFIQ line is active.

- **NIRQ: NIRQ Status**

0 = nIRQ line is deactivated.

1 = nIRQ line is active.

## 24.8.10 AIC Interrupt Enable Command Register

**Register Name:** AIC\_IECR

**Access Type:** Write-only

|       |       |       |       |       |       |       |       |
|-------|-------|-------|-------|-------|-------|-------|-------|
| 31    | 30    | 29    | 28    | 27    | 26    | 25    | 24    |
| PID31 | PID30 | PID29 | PID28 | PID27 | PID26 | PID25 | PID24 |
| 23    | 22    | 21    | 20    | 19    | 18    | 17    | 16    |
| PID23 | PID22 | PID21 | PID20 | PID19 | PID18 | PID17 | PID16 |
| 15    | 14    | 13    | 12    | 11    | 10    | 9     | 8     |
| PID15 | PID14 | PID13 | PID12 | PID11 | PID10 | PID9  | PID8  |
| 7     | 6     | 5     | 4     | 3     | 2     | 1     | 0     |
| PID7  | PID6  | PID5  | PID4  | PID3  | PID2  | SYS   | FIQ   |

- **FIQ, SYS, PID2-PID3: Interrupt Enable**

0 = No effect.

1 = Enables corresponding interrupt.



### 24.8.11 AIC Interrupt Disable Command Register

**Register Name:** AIC\_IDCR

**Access Type:** Write-only

|       |       |       |       |       |       |       |       |
|-------|-------|-------|-------|-------|-------|-------|-------|
| 31    | 30    | 29    | 28    | 27    | 26    | 25    | 24    |
| PID31 | PID30 | PID29 | PID28 | PID27 | PID26 | PID25 | PID24 |
| 23    | 22    | 21    | 20    | 19    | 18    | 17    | 16    |
| PID23 | PID22 | PID21 | PID20 | PID19 | PID18 | PID17 | PID16 |
| 15    | 14    | 13    | 12    | 11    | 10    | 9     | 8     |
| PID15 | PID14 | PID13 | PID12 | PID11 | PID10 | PID9  | PID8  |
| 7     | 6     | 5     | 4     | 3     | 2     | 1     | 0     |
| PID7  | PID6  | PID5  | PID4  | PID3  | PID2  | SYS   | FIQ   |

- **FIQ, SYS, PID2-PID31: Interrupt Disable**

0 = No effect.

1 = Disables corresponding interrupt.

### 24.8.12 AIC Interrupt Clear Command Register

**Register Name:** AIC\_ICCR

**Access Type:** Write-only

|       |       |       |       |       |       |       |       |
|-------|-------|-------|-------|-------|-------|-------|-------|
| 31    | 30    | 29    | 28    | 27    | 26    | 25    | 24    |
| PID31 | PID30 | PID29 | PID28 | PID27 | PID26 | PID25 | PID24 |
| 23    | 22    | 21    | 20    | 19    | 18    | 17    | 16    |
| PID23 | PID22 | PID21 | PID20 | PID19 | PID18 | PID17 | PID16 |
| 15    | 14    | 13    | 12    | 11    | 10    | 9     | 8     |
| PID15 | PID14 | PID13 | PID12 | PID11 | PID10 | PID9  | PID8  |
| 7     | 6     | 5     | 4     | 3     | 2     | 1     | 0     |
| PID7  | PID6  | PID5  | PID4  | PID3  | PID2  | SYS   | FIQ   |

- **FIQ, SYS, PID2-PID31: Interrupt Clear**

0 = No effect.

1 = Clears corresponding interrupt.



## 24.8.13 AIC Interrupt Set Command Register

**Register Name:** AIC\_ISCR

**Access Type:** Write-only

|       |       |       |       |       |       |       |       |
|-------|-------|-------|-------|-------|-------|-------|-------|
| 31    | 30    | 29    | 28    | 27    | 26    | 25    | 24    |
| PID31 | PID30 | PID29 | PID28 | PID27 | PID26 | PID25 | PID24 |
| 23    | 22    | 21    | 20    | 19    | 18    | 17    | 16    |
| PID23 | PID22 | PID21 | PID20 | PID19 | PID18 | PID17 | PID16 |
| 15    | 14    | 13    | 12    | 11    | 10    | 9     | 8     |
| PID15 | PID14 | PID13 | PID12 | PID11 | PID10 | PID9  | PID8  |
| 7     | 6     | 5     | 4     | 3     | 2     | 1     | 0     |
| PID7  | PID6  | PID5  | PID4  | PID3  | PID2  | SYS   | FIQ   |

- **FIQ, SYS, PID2-PID31: Interrupt Set**

0 = No effect.

1 = Sets corresponding interrupt.

## 24.8.14 AIC End of Interrupt Command Register

**Register Name:** AIC\_EOICR

**Access Type:** Write-only

|    |    |    |    |    |    |    |    |
|----|----|----|----|----|----|----|----|
| 31 | 30 | 29 | 28 | 27 | 26 | 25 | 24 |
| -  | -  | -  | -  | -  | -  | -  | -  |
| 23 | 22 | 21 | 20 | 19 | 18 | 17 | 16 |
| -  | -  | -  | -  | -  | -  | -  | -  |
| 15 | 14 | 13 | 12 | 11 | 10 | 9  | 8  |
| -  | -  | -  | -  | -  | -  | -  | -  |
| 7  | 6  | 5  | 4  | 3  | 2  | 1  | 0  |
| -  | -  | -  | -  | -  | -  | -  | -  |

The End of Interrupt Command Register is used by the interrupt routine to indicate that the interrupt treatment is complete. Any value can be written because it is only necessary to make a write to this register location to signal the end of interrupt treatment.

### 24.8.15 AIC Spurious Interrupt Vector Register

**Register Name:** AIC\_SPU  
**Access Type:** Read/Write  
**Reset Value:** 0

|      |    |    |    |    |    |    |    |
|------|----|----|----|----|----|----|----|
| 31   | 30 | 29 | 28 | 27 | 26 | 25 | 24 |
| SIQV |    |    |    |    |    |    |    |
| 23   | 22 | 21 | 20 | 19 | 18 | 17 | 16 |
| SIQV |    |    |    |    |    |    |    |
| 15   | 14 | 13 | 12 | 11 | 10 | 9  | 8  |
| SIQV |    |    |    |    |    |    |    |
| 7    | 6  | 5  | 4  | 3  | 2  | 1  | 0  |
| SIQV |    |    |    |    |    |    |    |

- **SIQV: Spurious Interrupt Vector Register**

The user may store the address of a spurious interrupt handler in this register. The written value is returned in AIC\_IVR in case of a spurious interrupt and in AIC\_FVR in case of a spurious fast interrupt.

### 24.8.16 AIC Debug Control Register

**Register Name:** AIC\_DEBUG  
**Access Type:** Read/Write  
**Reset Value:** 0

|    |    |    |    |    |    |      |      |
|----|----|----|----|----|----|------|------|
| 31 | 30 | 29 | 28 | 27 | 26 | 25   | 24   |
| –  | –  | –  | –  | –  | –  | –    | –    |
| 23 | 22 | 21 | 20 | 19 | 18 | 17   | 16   |
| –  | –  | –  | –  | –  | –  | –    | –    |
| 15 | 14 | 13 | 12 | 11 | 10 | 9    | 8    |
| –  | –  | –  | –  | –  | –  | –    | –    |
| 7  | 6  | 5  | 4  | 3  | 2  | 1    | 0    |
| –  | –  | –  | –  | –  | –  | GMSK | PROT |

- **PROT: Protection Mode**

0 = The Protection Mode is disabled.

1 = The Protection Mode is enabled.

- **GMSK: General Mask**

0 = The nIRQ and nFIQ lines are normally controlled by the AIC.

1 = The nIRQ and nFIQ lines are tied to their inactive state.

## 24.8.17 AIC Fast Forcing Enable Register

**Register Name:** AIC\_FFER

**Access Type:** Write-only

|       |       |       |       |       |       |       |       |
|-------|-------|-------|-------|-------|-------|-------|-------|
| 31    | 30    | 29    | 28    | 27    | 26    | 25    | 24    |
| PID31 | PID30 | PID29 | PID28 | PID27 | PID26 | PID25 | PID24 |
| 23    | 22    | 21    | 20    | 19    | 18    | 17    | 16    |
| PID23 | PID22 | PID21 | PID20 | PID19 | PID18 | PID17 | PID16 |
| 15    | 14    | 13    | 12    | 11    | 10    | 9     | 8     |
| PID15 | PID14 | PID13 | PID12 | PID11 | PID10 | PID9  | PID8  |
| 7     | 6     | 5     | 4     | 3     | 2     | 1     | 0     |
| PID7  | PID6  | PID5  | PID4  | PID3  | PID2  | SYS   | –     |

- **SYS, PID2-PID31: Fast Forcing Enable**

0 = No effect.

1 = Enables the fast forcing feature on the corresponding interrupt.

## 24.8.18 AIC Fast Forcing Disable Register

**Register Name:** AIC\_FFDR

**Access Type:** Write-only

|       |       |       |       |       |       |       |       |
|-------|-------|-------|-------|-------|-------|-------|-------|
| 31    | 30    | 29    | 28    | 27    | 26    | 25    | 24    |
| PID31 | PID30 | PID29 | PID28 | PID27 | PID26 | PID25 | PID24 |
| 23    | 22    | 21    | 20    | 19    | 18    | 17    | 16    |
| PID23 | PID22 | PID21 | PID20 | PID19 | PID18 | PID17 | PID16 |
| 15    | 14    | 13    | 12    | 11    | 10    | 9     | 8     |
| PID15 | PID14 | PID13 | PID12 | PID11 | PID10 | PID9  | PID8  |
| 7     | 6     | 5     | 4     | 3     | 2     | 1     | 0     |
| PID7  | PID6  | PID5  | PID4  | PID3  | PID2  | SYS   | –     |

- **SYS, PID2-PID31: Fast Forcing Disable**

0 = No effect.

1 = Disables the Fast Forcing feature on the corresponding interrupt.



### 24.8.19 AIC Fast Forcing Status Register

Register Name: AIC\_FFSR

Access Type: Read-only

|       |       |       |       |       |       |       |       |
|-------|-------|-------|-------|-------|-------|-------|-------|
| 31    | 30    | 29    | 28    | 27    | 26    | 25    | 24    |
| PID31 | PID30 | PID29 | PID28 | PID27 | PID26 | PID25 | PID24 |
| 23    | 22    | 21    | 20    | 19    | 18    | 17    | 16    |
| PID23 | PID22 | PID21 | PID20 | PID19 | PID18 | PID17 | PID16 |
| 15    | 14    | 13    | 12    | 11    | 10    | 9     | 8     |
| PID15 | PID14 | PID13 | PID12 | PID11 | PID10 | PID9  | PID8  |
| 7     | 6     | 5     | 4     | 3     | 2     | 1     | 0     |
| PID7  | PID6  | PID5  | PID4  | PID3  | PID2  | SYS   | –     |

- **SYS, PID2-PID31: Fast Forcing Status**

0 = The Fast Forcing feature is disabled on the corresponding interrupt.

1 = The Fast Forcing feature is enabled on the corresponding interrupt.

## 25. Clock Generator

### 25.1 Description

The Clock Generator is made up of 1 PLL, a Main Oscillator, and an RC Oscillator.

It provides the following clocks:

- SLCK, the Slow Clock, which is the only permanent clock within the system
- MAINCK is the output of the Main Oscillator
- PLLCK is the output of the Divider and PLL block

The Clock Generator User Interface is embedded within the Power Management Controller one and is described in [Section 26.9](#). However, the Clock Generator registers are named CKGR\_.

### 25.2 Slow Clock RC Oscillator

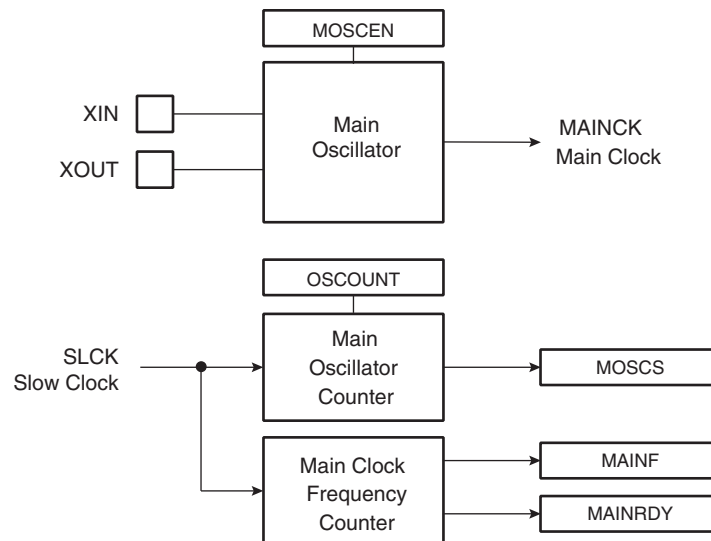
The slow clock is the output of the RC Oscillator and is the only clock considered permanent in a system that includes the Power Management Controller. It is mandatory in the operations of the PMC.

The user has to take the possible drifts of the RC Oscillator into account. More details are given in the DC Characteristics section of the product datasheet.

### 25.3 Main Oscillator

[Figure 25-1](#) shows the Main Oscillator block diagram.

**Figure 25-1.** Main Oscillator Block Diagram

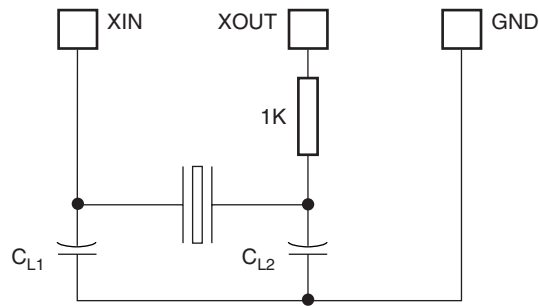


#### 25.3.1 Main Oscillator Connections

The Clock Generator integrates a Main Oscillator that is designed for a 3 to 20 MHz fundamental crystal. The typical crystal connection is illustrated in [Figure 25-2](#). The 1 k $\Omega$  resistor is only required for crystals with frequencies lower than 8 MHz. The oscillator contains 25 pF capacitors on each XIN and XOUT pin. Consequently, CL1 and CL2 can be removed when a

crystal with a load capacitance of 12.5 pF is used. For further details on the electrical characteristics of the Main Oscillator, see the DC Characteristics section of the product datasheet.

**Figure 25-2.** Typical Crystal Connection



### 25.3.2 Main Oscillator Startup Time

The startup time of the Main Oscillator is given in the DC Characteristics section of the product datasheet. The startup time depends on the crystal frequency and decreases when the frequency rises.

### 25.3.3 Main Oscillator Control

To minimize the power required to start up the system, the main oscillator is disabled after reset and slow clock is selected.

The software enables or disables the main oscillator so as to reduce power consumption by clearing the MOSCEN bit in the Main Oscillator Register (CKGR\_MOR).

When disabling the main oscillator by clearing the MOSCEN bit in CKGR\_MOR, the MOSCS bit in PMC\_SR is automatically cleared, indicating the main clock is off.

When enabling the main oscillator, the user must initiate the main oscillator counter with a value corresponding to the startup time of the oscillator. This startup time depends on the crystal frequency connected to the main oscillator.

When the MOSCEN bit and the OSCOUNT are written in CKGR\_MOR to enable the main oscillator, the MOSCS bit in PMC\_SR (Status Register) is cleared and the counter starts counting down on the slow clock divided by 8 from the OSCOUNT value. Since the OSCOUNT value is coded with 8 bits, the maximum startup time is about 62 ms.

When the counter reaches 0, the MOSCS bit is set, indicating that the main clock is valid. Setting the MOSCS bit in PMC\_IMR can trigger an interrupt to the processor.

### 25.3.4 Main Clock Frequency Counter

The Main Oscillator features a Main Clock frequency counter that provides the quartz frequency connected to the Main Oscillator. Generally, this value is known by the system designer; however, it is useful for the boot program to configure the device with the correct clock speed, independently of the application.

The Main Clock frequency counter starts incrementing at the Main Clock speed after the next rising edge of the Slow Clock as soon as the Main Oscillator is stable, i.e., as soon as the MOSCS bit is set. Then, at the 16th falling edge of Slow Clock, the MAINRDY bit in CKGR\_MCFR (Main Clock Frequency Register) is set and the counter stops counting. Its value can be read in the MAINF field of CKGR\_MCFR and gives the number of Main Clock

cycles during 16 periods of Slow Clock, so that the frequency of the crystal connected on the Main Oscillator can be determined.

## 25.3.5 Main Oscillator Bypass

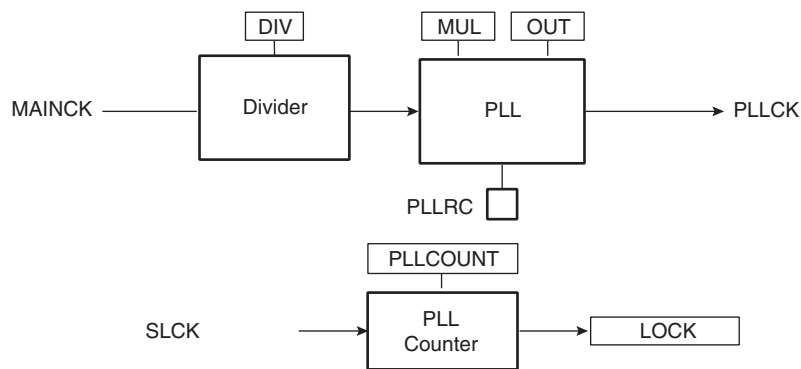
The user can input a clock on the device instead of connecting a crystal. In this case, the user has to provide the external clock signal on the XIN pin. The input characteristics of the XIN pin under these conditions are given in the product electrical characteristics section. The programmer has to be sure to set the OSCBYPASS bit to 1 and the MOSCEN bit to 0 in the Main OSC register (CKGR\_MOR) for the external clock to operate properly.

## 25.4 Divider and PLL Block

The PLL embeds an input divider to increase the accuracy of the resulting clock signals. However, the user must respect the PLL minimum input frequency when programming the divider.

Figure 25-3 shows the block diagram of the divider and PLL block.

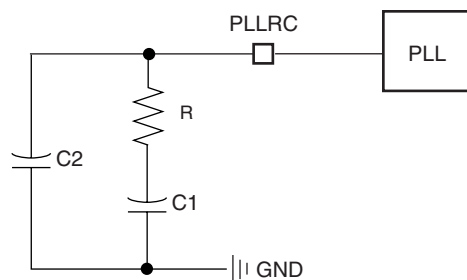
Figure 25-3. Divider and PLL Block Diagram



### 25.4.1 PLL Filter

The PLL requires connection to an external second-order filter through the PLLRC pin. Figure 25-4 shows a schematic of these filters.

Figure 25-4. PLL Capacitors and Resistors



Values of R, C1 and C2 to be connected to the PLLRC pin must be calculated as a function of the PLL input frequency, the PLL output frequency and the phase margin. A trade-off has to be found between output signal overshoot and startup time.

## 25.4.2 Divider and Phase Lock Loop Programming

The divider can be set between 1 and 255 in steps of 1. When a divider field (DIV) is set to 0, the output of the corresponding divider and the PLL output is a continuous signal at level 0. On reset, each DIV field is set to 0, thus the corresponding PLL input clock is set to 0.

The PLL allows multiplication of the divider's outputs. The PLL clock signal has a frequency that depends on the respective source signal frequency and on the parameters DIV and MUL. The factor applied to the source signal frequency is  $(MUL + 1)/DIV$ . When MUL is written to 0, the corresponding PLL is disabled and its power consumption is saved. Re-enabling the PLL can be performed by writing a value higher than 0 in the MUL field.

Whenever the PLL is re-enabled or one of its parameters is changed, the LOCK bit in PMC\_SR is automatically cleared. The values written in the PLLCOUNT field in CKGR\_PLLR are loaded in the PLL counter. The PLL counter then decrements at the speed of the Slow Clock until it reaches 0. At this time, the LOCK bit is set in PMC\_SR and can trigger an interrupt to the processor. The user has to load the number of Slow Clock cycles required to cover the PLL transient time into the PLLCOUNT field. The transient time depends on the PLL filter. The initial state of the PLL and its target frequency can be calculated using a specific tool provided by Atmel.



## 26. Power Management Controller (PMC)

### 26.1 Description

The Power Management Controller (PMC) optimizes power consumption by controlling all system and user peripheral clocks. The PMC enables/disables the clock inputs to many of the peripherals and the ARM Processor.

The Power Management Controller provides the following clocks:

- MCK, the Master Clock, programmable from a few hundred Hz to the maximum operating frequency of the device. It is available to the modules running permanently, such as the AIC and the Memory Controller.
- Processor Clock (PCK), switched off when entering processor in idle mode.
- Peripheral Clocks, typically MCK, provided to the embedded peripherals (USART, SSC, SPI, TWI, TC, MCI, etc.) and independently controllable. In order to reduce the number of clock names in a product, the Peripheral Clocks are named MCK in the product datasheet.
- UDP Clock (UDPCK), required by USB Device Port operations.
- Programmable Clock Outputs can be selected from the clocks provided by the clock generator and driven on the PCKx pins.

### 26.2 Master Clock Controller

The Master Clock Controller provides selection and division of the Master Clock (MCK). MCK is the clock provided to all the peripherals and the memory controller.

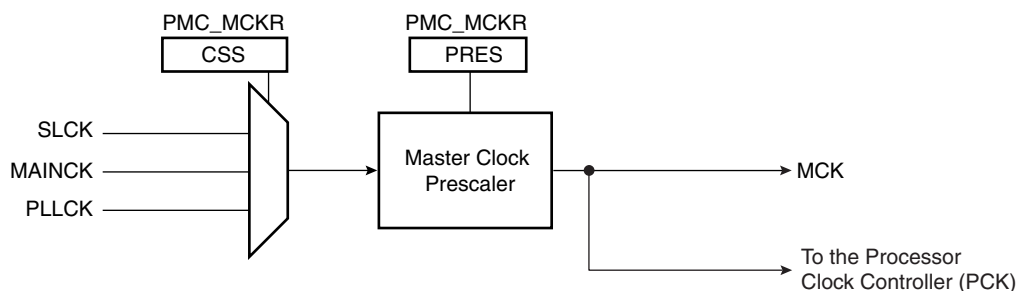
The Master Clock is selected from one of the clocks provided by the Clock Generator. Selecting the Slow Clock provides a Slow Clock signal to the whole device. Selecting the Main Clock saves power consumption of the PLL.

The Master Clock Controller is made up of a clock selector and a prescaler.

The Master Clock selection is made by writing the CSS field (Clock Source Selection) in PMC\_MCKR (Master Clock Register). The prescaler supports the division by a power of 2 of the selected clock between 1 and 64. The PRES field in PMC\_MCKR programs the prescaler.

Each time PMC\_MCKR is written to define a new Master Clock, the MCKRDY bit is cleared in PMC\_SR. It reads 0 until the Master Clock is established. Then, the MCKRDY bit is set and can trigger an interrupt to the processor. This feature is useful when switching from a high-speed clock to a lower one to inform the software when the change is actually done.

Figure 26-1. Master Clock Controller



## 26.3 Processor Clock Controller

The PMC features a Processor Clock Controller (PCK) that implements the Processor Idle Mode. The Processor Clock can be enabled and disabled by writing the System Clock Enable (PMC\_SCER) and System Clock Disable Registers (PMC\_SCDR). The status of this clock (at least for debug purpose) can be read in the System Clock Status Register (PMC\_SCSR).

The Processor Clock PCK is enabled after a reset and is automatically re-enabled by any enabled interrupt. The Processor Idle Mode is achieved by disabling the Processor Clock, which is automatically re-enabled by any enabled fast or normal interrupt, or by the reset of the product.

When the Processor Clock is disabled, the current instruction is finished before the clock is stopped, but this does not prevent data transfers from other masters of the system bus.

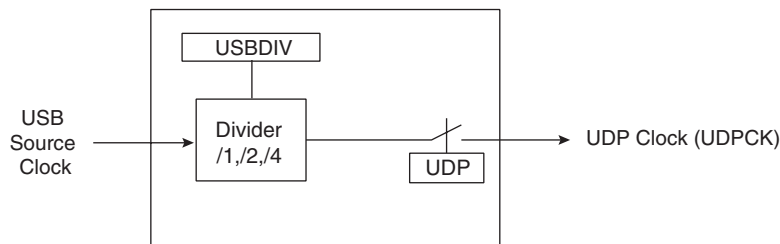
## 26.4 USB Clock Controller

The USB Source Clock is the PLL output. If using the USB, the user must program the PLL to generate a 48 MHz, a 96 MHz or a 192 MHz signal with an accuracy of  $\pm 0.25\%$  depending on the USBDIV bit in CKGR\_PLLR.

When the PLL output is stable, i.e., the LOCK bit is set:

- The USB device clock can be enabled by setting the UDP bit in PMC\_SCER. To save power on this peripheral when it is not used, the user can set the UDP bit in PMC\_SCDR. The UDP bit in PMC\_SCSR gives the activity of this clock. The USB device port require both the 48 MHz signal and the Master Clock. The Master Clock may be controlled via the Peripheral Clock Controller.

Figure 26-2. USB Clock Controller



## 26.5 Peripheral Clock Controller

The Power Management Controller controls the clocks of each embedded peripheral by the way of the Peripheral Clock Controller. The user can individually enable and disable the Master Clock on the peripherals by writing into the Peripheral Clock Enable (PMC\_PCER) and Peripheral Clock Disable (PMC\_PCDR) registers. The status of the peripheral clock activity can be read in the Peripheral Clock Status Register (PMC\_PCSR).

When a peripheral clock is disabled, the clock is immediately stopped. The peripheral clocks are automatically disabled after a reset.

In order to stop a peripheral, it is recommended that the system software wait until the peripheral has executed its last programmed operation before disabling the clock. This is to avoid data corruption or erroneous behavior of the system.

The bit number within the Peripheral Clock Control registers (PMC\_PCER, PMC\_PCDR, and PMC\_PCSR) is the Peripheral Identifier defined at the product level. Generally, the bit number corresponds to the interrupt source number assigned to the peripheral.

## 26.6 Programmable Clock Output Controller

The PMC controls 4 signals to be output on external pins PCKx. Each signal can be independently programmed via the PMC\_PCKx registers.

PCKx can be independently selected between the Slow clock, the PLL output and the main clock by writing the CSS field in PMC\_PCKx. Each output signal can also be divided by a power of 2 between 1 and 64 by writing the PRES (Prescaler) field in PMC\_PCKx.

Each output signal can be enabled and disabled by writing 1 in the corresponding bit, PCKx of PMC\_SCER and PMC\_SCDR, respectively. Status of the active programmable output clocks are given in the PCKx bits of PMC\_SCSR (System Clock Status Register).

Moreover, like the PCK, a status bit in PMC\_SR indicates that the Programmable Clock is actually what has been programmed in the Programmable Clock registers.

As the Programmable Clock Controller does not manage with glitch prevention when switching clocks, it is strongly recommended to disable the Programmable Clock before any configuration change and to re-enable it after the change is actually performed.

## 26.7 Programming Sequence

### 1. Enabling the Main Oscillator:

The main oscillator is enabled by setting the MOSCEN field in the CKGR\_MOR register. In some cases it may be advantageous to define a start-up time. This can be achieved by writing a value in the OSCOUNT field in the CKGR\_MOR register.

Once this register has been correctly configured, the user must wait for MOSCS field in the PMC\_SR register to be set. This can be done either by polling the status register or by waiting the interrupt line to be raised if the associated interrupt to MOSCS has been enabled in the PMC\_IER register.

Code Example:

```
write_register(CKGR_MOR, 0x00000701)
```

Start Up Time =  $8 * OSCOUNT / SLCK = 56$  Slow Clock Cycles.

So, the main oscillator will be enabled (MOSCS bit set) after 56 Slow Clock Cycles.

### 2. Checking the Main Oscillator Frequency (Optional):

In some situations the user may need an accurate measure of the main oscillator frequency. This measure can be accomplished via the CKGR\_MCFR register.

Once the MAINRDY field is set in CKGR\_MCFR register, the user may read the MAINF field in CKGR\_MCFR register. This provides the number of main clock cycles within sixteen slow clock cycles.

### 3. Setting PLL and divider:

All parameters needed to configure PLL and the divider are located in the CKGR\_PLLR register.

The DIV field is used to control divider itself. A value between 0 and 255 can be programmed. Divider output is divider input divided by DIV parameter. By default DIV parameter is set to 0 which means that divider is turned off.

The OUT field is used to select the PLL B output frequency range.

The MUL field is the PLL multiplier factor. This parameter can be programmed between 0 and 2047. If MUL is set to 0, PLL will be turned off, otherwise the PLL output frequency is PLL input frequency multiplied by (MUL + 1).

The PLLCOUNT field specifies the number of slow clock cycles before LOCK bit is set in the PMC\_SR register after CKGR\_PLLR register has been written.

Once the PMC\_PLL register has been written, the user must wait for the LOCK bit to be set in the PMC\_SR register. This can be done either by polling the status register or by waiting the interrupt line to be raised if the associated interrupt to LOCK has been enabled in the PMC\_IER register. All parameters in CKGR\_PLLR can be programmed in a single write operation. If at some stage one of the following parameters, MUL, DIV is modified, LOCK bit will go low to indicate that PLL is not ready yet. When PLL is locked, LOCK will be set again. The user is constrained to wait for LOCK bit to be set before using the PLL output clock.

The USBDIV field is used to control the additional divider by 1, 2 or 4, which generates the USB clock(s).

#### Code Example:

```
write_register(CKGR_PLLR, 0x00040805)
```

If PLL and divider are enabled, the PLL input clock is the main clock. PLL output clock is PLL input clock multiplied by 5. Once CKGR\_PLLR has been written, LOCK bit will be set after eight slow clock cycles.

### 4. Selection of Master Clock and Processor Clock

The Master Clock and the Processor Clock are configurable via the PMC\_MCKR register.

The CSS field is used to select the Master Clock divider source. By default, the selected clock source is slow clock.

The PRES field is used to control the Master Clock prescaler. The user can choose between different values (1, 2, 4, 8, 16, 32, 64). Master Clock output is prescaler input divided by PRES parameter. By default, PRES parameter is set to 1 which means that master clock is equal to slow clock.

Once PMC\_MCKR register has been written, the user must wait for the MCKRDY bit to be set in the PMC\_SR register. This can be done either by polling the status register or by waiting for the interrupt line to be raised if the associated interrupt to MCKRDY has been enabled in the PMC\_IER register.

All parameters in PMC\_MCKR can be programmed in a single write operation. If at some stage one of the following parameters, CSS or PRES, is modified, the MCKRDY bit will go low to indicate that the Master Clock and the Processor Clock are not ready yet. The user must wait for MCKRDY bit to be set again before using the Master and Processor Clocks.

Note: IF PLLx clock was selected as the Master Clock and the user decides to modify it by writing in CKGR\_PLLR, the MCKRDY flag will go low while PLL is unlocked. Once PLL is locked again, LOCK goes high and MCKRDY is set.  
While PLL is unlocked, the Master Clock selection is automatically changed to Main Clock. For further information, see [Section 26.8.2. "Clock Switching Waveforms" on page 183](#).

Code Example:

```
write_register(PMC_MCKR, 0x00000011)
```

The Master Clock is main clock divided by 16.

The Processor Clock is the Master Clock.

## 5. Selection of Programmable clocks

Programmable clocks are controlled via registers; PMC\_SCER, PMC\_SCDR and PMC\_SCSR.

Programmable clocks can be enabled and/or disabled via the PMC\_SCER and PMC\_SCDR registers. Depending on the system used, 4 programmable clocks can be enabled or disabled. The PMC\_SCSR provides a clear indication as to which Programmable clock is enabled. By default all Programmable clocks are disabled.

PMC\_PCKx registers are used to configure Programmable clocks.

The CSS field is used to select the programmable clock divider source. Four clock options are available: main clock, slow clock, PLLCK. By default, the clock source selected is slow clock.

The PRES field is used to control the Programmable clock prescaler. It is possible to choose between different values (1, 2, 4, 8, 16, 32, 64). Programmable clock output is prescaler input divided by PRES parameter. By default, the PRES parameter is set to 1 which means that master clock is equal to slow clock.

Once the PMC\_PCKx register has been programmed, The corresponding Programmable clock must be enabled and the user is constrained to wait for the PCKRDYx bit to be set in the PMC\_SR register. This can be done either by polling the status register or by waiting the interrupt line to be raised if the associated interrupt to PCKRDYx has been enabled in the PMC\_IER register. All parameters in PMC\_PCKx can be programmed in a single write operation.

If the CSS and PRES parameters are to be modified, the corresponding Programmable clock must be disabled first. The parameters can then be modified. Once this has been done, the user must re-enable the Programmable clock and wait for the PCKRDYx bit to be set.

Code Example:

```
write_register(PMC_PCK0, 0x00000015)
```

Programmable clock 0 is main clock divided by 32.

## 6. Enabling Peripheral Clocks

Once all of the previous steps have been completed, the peripheral clocks can be enabled and/or disabled via registers PMC\_PCER and PMC\_PCDR.

Depending on the system used, 15 peripheral clocks can be enabled or disabled. The PMC\_PCSR provides a clear view as to which peripheral clock is enabled.

Note: Each enabled peripheral clock corresponds to Master Clock.

### Code Examples:

```
write_register(PMC_PCER, 0x00000110)
```

Peripheral clocks 4 and 8 are enabled.

```
write_register(PMC_PCDR, 0x00000010)
```

Peripheral clock 4 is disabled.

## 26.8 Clock Switching Details

### 26.8.1 Master Clock Switching Timings

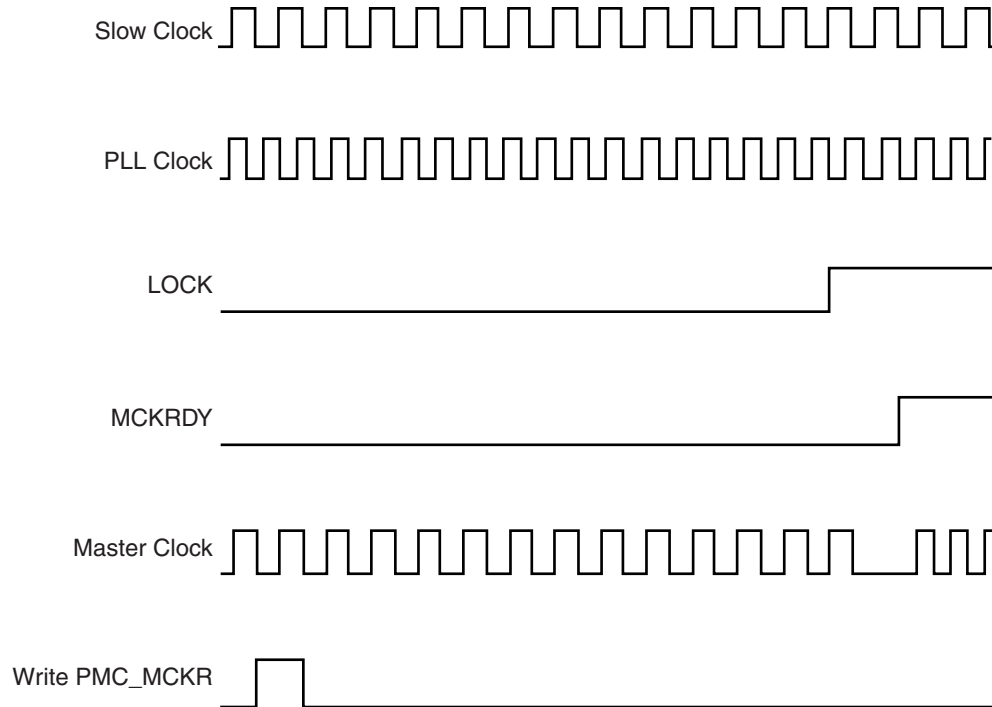
Table 26-1 gives the worst case timings required for the Master Clock to switch from one selected clock to another one. This is in the event that the prescaler is de-activated. When the prescaler is activated, an additional time of 64 clock cycles of the new selected clock has to be added.

**Table 26-1.** Clock Switching Timings (Worst Case)

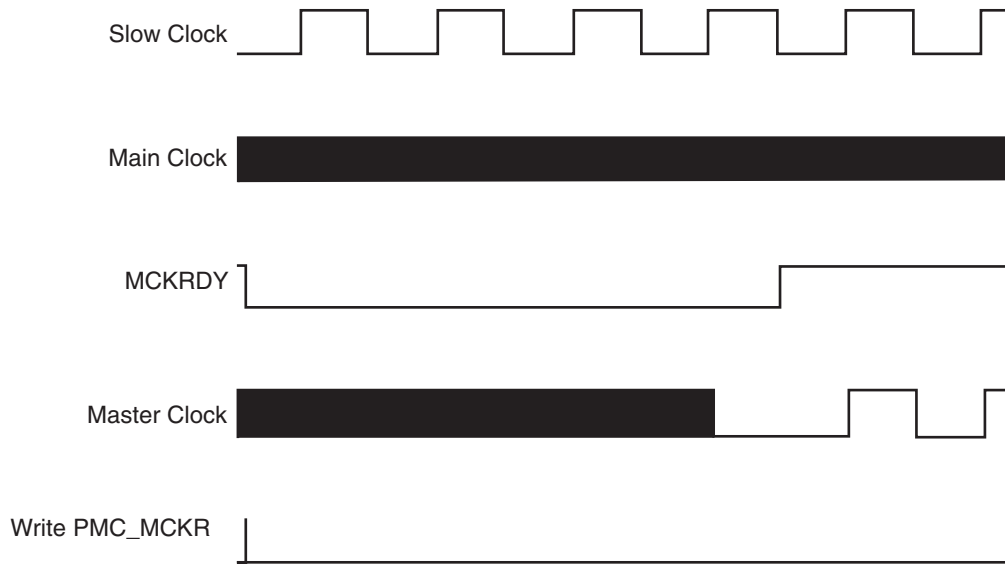
| To         | From | Main Clock  | SLCK   | PLL Clock  |
|------------|------|---|--|--|
| Main Clock |      | –   | 4 x SLCK +<br>2.5 x Main Clock                     | 3 x PLL Clock +<br>4 x SLCK +<br>1 x Main Clock    |
| SLCK       |      | 0.5 x Main Clock +<br>4.5 x SLCK  | –  | 3 x PLL Clock +<br>5 x SLCK                        |
| PLL Clock  |      | 0.5 x Main Clock +<br>4 x SLCK +<br>PLLCOUNT x SLCK +<br>2.5 x PLLx Clock | 2.5 x PLL Clock +<br>5 x SLCK +<br>PLLCOUNT x SLCK | 2.5 x PLL Clock +<br>4 x SLCK +<br>PLLCOUNT x SLCK |

### 26.8.2 Clock Switching Waveforms

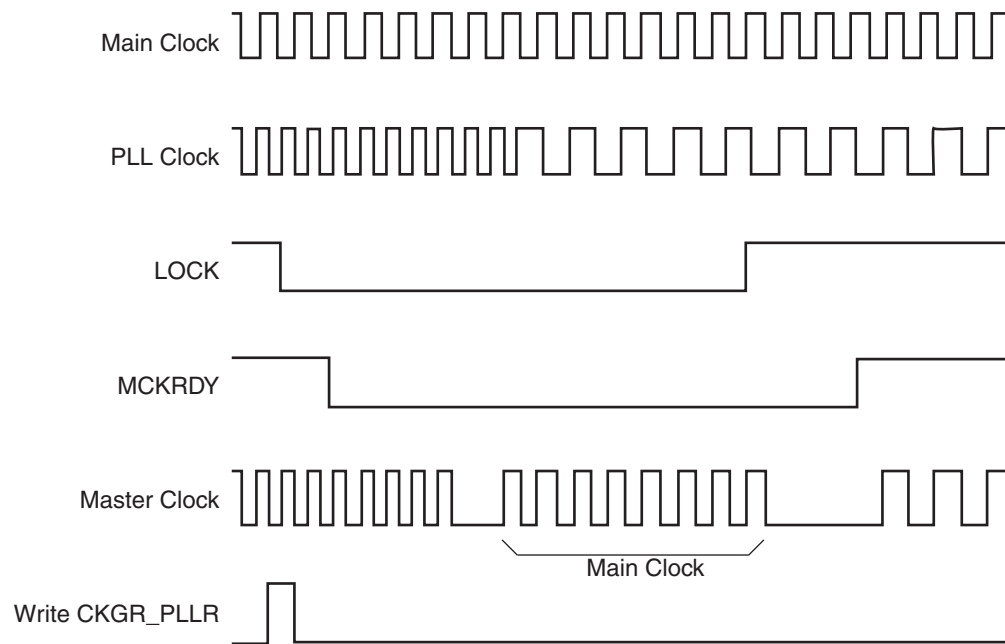
**Figure 26-3.** Switch Master Clock from Slow Clock to PLL Clock



**Figure 26-4.** Switch Master Clock from Main Clock to Slow Clock

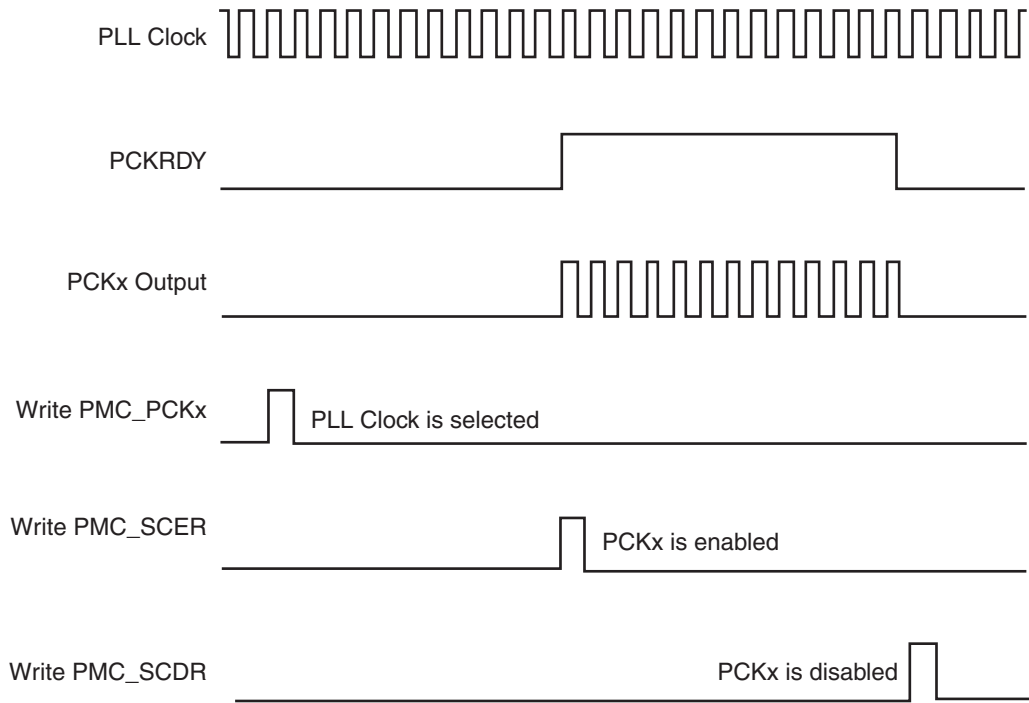


**Figure 26-5.** Change PLL Programming





**Figure 26-6.** Programmable Clock Output Programming



## 26.9 Power Management Controller (PMC) User Interface

**Table 26-2.** Register Mapping

| Offset          | Register                          | Name      | Access     | Reset Value |
|-----------------|-----------------------------------|-----------|------------|-------------|
| 0x0000          | System Clock Enable Register      | PMC_SCER  | Write-only | –           |
| 0x0004          | System Clock Disable Register     | PMC_SCDR  | Write-only | –           |
| 0x0008          | System Clock Status Register      | PMC_SCSR  | Read-only  | 0x01        |
| 0x000C          | Reserved                          | –         | –          | –           |
| 0x0010          | Peripheral Clock Enable Register  | PMC_PCER  | Write-only | –           |
| 0x0014          | Peripheral Clock Disable Register | PMC_PCDR  | Write-only | –           |
| 0x0018          | Peripheral Clock Status Register  | PMC_PCSR  | Read-only  | 0x0         |
| 0x001C          | Reserved                          | –         | –          | –           |
| 0x0020          | Main Oscillator Register          | CKGR_MOR  | Read/Write | 0x0         |
| 0x0024          | Main Clock Frequency Register     | CKGR_MCFR | Read-only  | 0x0         |
| 0x0028          | Reserved                          | –         | –          | –           |
| 0x002C          | PLL Register                      | CKGR_PLLR | Read/Write | 0x3F00      |
| 0x0030          | Master Clock Register             | PMC_MCKR  | Read/Write | 0x0         |
| 0x0034          | Application Clock Register        | PMC_ACKR  | Read/Write | 0x0         |
| 0x0038          | Reserved                          | –         | –          | –           |
| 0x003C          | Reserved                          | –         | –          | –           |
| 0x0040          | Programmable Clock 0 Register     | PMC_PCK0  | Read/Write | 0x0         |
| 0x0044          | Programmable Clock 1 Register     | PMC_PCK1  | Read/Write | 0x0         |
| ...             | ...                               | ...       | ...        | ...         |
| 0x0060          | Interrupt Enable Register         | PMC_IER   | Write-only | --          |
| 0x0064          | Interrupt Disable Register        | PMC_IDR   | Write-only | --          |
| 0x0068          | Status Register                   | PMC_SR    | Read-only  | 0x08        |
|                 |                                   |           |            |             |
| 0x006C          | Interrupt Mask Register           | PMC_IMR   | Read-only  | 0x0         |
| 0x0070 - 0x00FC | Reserved                          | –         | –          | –           |

## 26.9.1 PMC System Clock Enable Register

**Register Name:** PMC\_SCER

**Access Type:** Write-only

|     |    |    |    |      |      |      |      |
|-----|----|----|----|------|------|------|------|
| 31  | 30 | 29 | 28 | 27   | 26   | 25   | 24   |
| –   | –  | –  | –  | –    | –    | –    | –    |
| 23  | 22 | 21 | 20 | 19   | 18   | 17   | 16   |
| –   | –  | –  | –  | –    | –    | –    | –    |
| 15  | 14 | 13 | 12 | 11   | 10   | 9    | 8    |
| –   | –  | –  | –  | PCK3 | PCK2 | PCK1 | PCK0 |
| 7   | 6  | 5  | 4  | 3    | 2    | 1    | 0    |
| UDP | –  | –  | –  | –    | –    | –    | PCK  |

- **PCK: Processor Clock Enable**

0 = No effect.

1 = Enables the Processor clock.

- **UDP: USB Device Port Clock Enable**

0 = No effect.

1 = Enables the 48 MHz clock of the USB Device Port.

- **PCKx: Programmable Clock x Output Enable**

0 = No effect.

1 = Enables the corresponding Programmable Clock output.

## 26.9.2 PMC System Clock Disable Register

**Register Name:** PMC\_SCDR

**Access Type:** Write-only

|     |    |    |    |      |      |      |      |
|-----|----|----|----|------|------|------|------|
| 31  | 30 | 29 | 28 | 27   | 26   | 25   | 24   |
| –   | –  | –  | –  | –    | –    | –    | –    |
| 23  | 22 | 21 | 20 | 19   | 18   | 17   | 16   |
| –   | –  | –  | –  | –    | –    | –    | –    |
| 15  | 14 | 13 | 12 | 11   | 10   | 9    | 8    |
| –   | –  | –  | –  | PCK3 | PCK2 | PCK1 | PCK0 |
| 7   | 6  | 5  | 4  | 3    | 2    | 1    | 0    |
| UDP | –  | –  | –  | –    | –    | –    | PCK  |

- **PCK: Processor Clock Disable**

0 = No effect.

1 = Disables the Processor clock. This is used to enter the processor in Idle Mode.

- **UDP: USB Device Port Clock Disable**

0 = No effect.

1 = Disables the 48 MHz clock of the USB Device Port.

- **PCKx: Programmable Clock x Output Disable**

0 = No effect.

1 = Disables the corresponding Programmable Clock output.

## 26.9.3 PMC System Clock Status Register

**Register Name:** PMC\_SCSR

**Access Type:** Read-only

|     |    |    |    |      |      |      |      |
|-----|----|----|----|------|------|------|------|
| 31  | 30 | 29 | 28 | 27   | 26   | 25   | 24   |
| –   | –  | –  | –  | –    | –    | –    | –    |
| 23  | 22 | 21 | 20 | 19   | 18   | 17   | 16   |
| –   | –  | –  | –  | –    | –    | –    | –    |
| 15  | 14 | 13 | 12 | 11   | 10   | 9    | 8    |
| –   | –  | –  | –  | PCK3 | PCK2 | PCK1 | PCK0 |
| 7   | 6  | 5  | 4  | 3    | 2    | 1    | 0    |
| UDP | –  | –  | –  | –    | –    | –    | PCK  |

- **PCK: Processor Clock Status**

0 = The Processor clock is disabled.

1 = The Processor clock is enabled.

- **UDP: USB Device Port Clock Status**

0 = The 48 MHz clock (UDPCK) of the USB Device Port is disabled.

1 = The 48 MHz clock (UDPCK) of the USB Device Port is enabled.

- **PCKx: Programmable Clock x Output Status**

0 = The corresponding Programmable Clock output is disabled.

1 = The corresponding Programmable Clock output is enabled.

## 26.9.4 PMC Peripheral Clock Enable Register

**Register Name:** PMC\_PCER

**Access Type:** Write-only

|       |       |       |       |       |       |       |       |
|-------|-------|-------|-------|-------|-------|-------|-------|
| 31    | 30    | 29    | 28    | 27    | 26    | 25    | 24    |
| PID31 | PID30 | PID29 | PID28 | PID27 | PID26 | PID25 | PID24 |
| 23    | 22    | 21    | 20    | 19    | 18    | 17    | 16    |
| PID23 | PID22 | PID21 | PID20 | PID19 | PID18 | PID17 | PID16 |
| 15    | 14    | 13    | 12    | 11    | 10    | 9     | 8     |
| PID15 | PID14 | PID13 | PID12 | PID11 | PID10 | PID9  | PID8  |
| 7     | 6     | 5     | 4     | 3     | 2     | 1     | 0     |
| PID7  | PID6  | PID5  | PID4  | PID3  | PID2  | -     | -     |

- **PIDx: Peripheral Clock x Enable**

0 = No effect.

1 = Enables the corresponding peripheral clock.

Note: Programming the control bits of the Peripheral ID that are not implemented has no effect on the behavior of the PMC.

## 26.9.5 PMC Peripheral Clock Disable Register

**Register Name:** PMC\_PCDR

**Access Type:** Write-only

|       |       |       |       |       |       |       |       |
|-------|-------|-------|-------|-------|-------|-------|-------|
| 31    | 30    | 29    | 28    | 27    | 26    | 25    | 24    |
| PID31 | PID30 | PID29 | PID28 | PID27 | PID26 | PID25 | PID24 |
| 23    | 22    | 21    | 20    | 19    | 18    | 17    | 16    |
| PID23 | PID22 | PID21 | PID20 | PID19 | PID18 | PID17 | PID16 |
| 15    | 14    | 13    | 12    | 11    | 10    | 9     | 8     |
| PID15 | PID14 | PID13 | PID12 | PID11 | PID10 | PID9  | PID8  |
| 7     | 6     | 5     | 4     | 3     | 2     | 1     | 0     |
| PID7  | PID6  | PID5  | PID4  | PID3  | PID2  | -     | -     |

- **PIDx: Peripheral Clock x Disable**

0 = No effect.

1 = Disables the corresponding peripheral clock.

## 26.9.6 PMC Peripheral Clock Status Register

**Register Name:** PMC\_PCSR

**Access Type:** Read-only

|       |       |       |       |       |       |       |       |
|-------|-------|-------|-------|-------|-------|-------|-------|
| 31    | 30    | 29    | 28    | 27    | 26    | 25    | 24    |
| PID31 | PID30 | PID29 | PID28 | PID27 | PID26 | PID25 | PID24 |
| 23    | 22    | 21    | 20    | 19    | 18    | 17    | 16    |
| PID23 | PID22 | PID21 | PID20 | PID19 | PID18 | PID17 | PID16 |
| 15    | 14    | 13    | 12    | 11    | 10    | 9     | 8     |
| PID15 | PID14 | PID13 | PID12 | PID11 | PID10 | PID9  | PID8  |
| 7     | 6     | 5     | 4     | 3     | 2     | 1     | 0     |
| PID7  | PID6  | PID5  | PID4  | PID3  | PID2  | –     | –     |

- **PIDx: Peripheral Clock x Status**

0 = The corresponding peripheral clock is disabled.

1 = The corresponding peripheral clock is enabled.

## 26.9.7 PMC Clock Generator Main Oscillator Register

**Register Name:** CKGR\_MOR

**Access Type:** Read/Write

|         |    |    |    |    |    |           |        |
|---------|----|----|----|----|----|-----------|--------|
| 31      | 30 | 29 | 28 | 27 | 26 | 25        | 24     |
| –       | –  | –  | –  | –  | –  | –         | –      |
| 23      | 22 | 21 | 20 | 19 | 18 | 17        | 16     |
| –       | –  | –  | –  | –  | –  | –         | –      |
| 15      | 14 | 13 | 12 | 11 | 10 | 9         | 8      |
| OSCOUNT |    |    |    |    |    |           |        |
| 7       | 6  | 5  | 4  | 3  | 2  | 1         | 0      |
| –       | –  | –  | –  | –  | –  | OSCBYPASS | MOSCEN |

- **MOSCEN: Main Oscillator Enable**

A crystal must be connected between XIN and XOUT.

0 = The Main Oscillator is disabled.

1 = The Main Oscillator is enabled. OSCBYPASS must be set to 0.

When MOSCEN is set, the MOSCS flag is set once the Main Oscillator startup time is achieved.

- **OSCBYPASS: Oscillator Bypass**

0 = No effect.

1 = The Main Oscillator is bypassed . MOSCEN must be set to 0. An external clock must be connected on XIN.

When OSCBYPASS is set, the MOSCS flag in PMC\_SR is automatically set.

Clearing MOSCEN and OSCBYPASS bits allows resetting the MOSCS flag.

- **OSCOUNT: Main Oscillator Start-up Time**

Specifies the number of Slow Clock cycles multiplied by 8 for the Main Oscillator start-up time.



## 26.9.8 PMC Clock Generator Main Clock Frequency Register

**Register Name:** CKGR\_MCFR

**Access Type:** Read-only

|       |    |    |    |    |    |    |         |
|-------|----|----|----|----|----|----|---------|
| 31    | 30 | 29 | 28 | 27 | 26 | 25 | 24      |
| –     | –  | –  | –  | –  | –  | –  | –       |
| 23    | 22 | 21 | 20 | 19 | 18 | 17 | 16      |
| –     | –  | –  | –  | –  | –  | –  | MAINRDY |
| 15    | 14 | 13 | 12 | 11 | 10 | 9  | 8       |
| MAINF |    |    |    |    |    |    |         |
| 7     | 6  | 5  | 4  | 3  | 2  | 1  | 0       |
| MAINF |    |    |    |    |    |    |         |

- **MAINF: Main Clock Frequency**

Gives the number of Main Clock cycles within 16 Slow Clock periods.

- **MAINRDY: Main Clock Ready**

0 = MAINF value is not valid or the Main Oscillator is disabled.

1 = The Main Oscillator has been enabled previously and MAINF value is available.

## 26.9.9 PMC Clock Generator PLL Register

**Register Name:** CKGR\_PLLR

**Access Type:** Read/Write

|     |    |          |    |    |    |     |    |
|-----|----|----------|----|----|----|-----|----|
| 31  | 30 | 29       | 28 | 27 | 26 | 25  | 24 |
| -   |    | USBDIV   |    | -  |    | MUL |    |
| 23  | 22 | 21       | 20 | 19 | 18 | 17  | 16 |
| MUL |    |          |    |    |    |     |    |
| 15  | 14 | 13       | 12 | 11 | 10 | 9   | 8  |
| OUT |    | PLLCOUNT |    |    |    |     |    |
| 7   | 6  | 5        | 4  | 3  | 2  | 1   | 0  |
| DIV |    |          |    |    |    |     |    |

Possible limitations on PLL input frequencies and multiplier factors should be checked before using the PMC.

- **DIV: Divider**

| DIV     | Divider Selected                                     |
|---------|--|
| 0       | Divider output is 0                                  |
| 1       | Divider is bypassed                                  |
| 2 - 255 | Divider output is the selected clock divided by DIV. |

- **PLLCOUNT: PLL Counter**

Specifies the number of slow clock cycles before the LOCK bit is set in PMC\_SR after CKGR\_PLLR is written.

- **OUT: PLL Clock Frequency Range**

| OUT |   | PLL Clock Frequency Range  |
|-----|---|--|
| 0   | 0 | Refer to the DC Characteristics section of the product datasheet |
| 0   | 1 | Reserved   |
| 1   | 0 | Refer to the DC Characteristics section of the product datasheet |
| 1   | 1 | Reserved   |

- **MUL: PLL Multiplier**

0 = The PLL is deactivated.

1 up to 2047 = The PLL Clock frequency is the PLL input frequency multiplied by MUL+ 1.

- **USBDIV: Divider for USB Clock**

| USBDIV |   | Divider for USB Clock(s)                         |
|--------|---|--|
| 0      | 0 | Divider output is PLL clock output.              |
| 0      | 1 | Divider output is PLL clock output divided by 2. |
| 1      | 0 | Divider output is PLL clock output divided by 4. |
| 1      | 1 | Reserved.  |

## 26.9.10 PMC Master Clock Register

**Register Name:** PMC\_MCKR

**Access Type:** Read/Write

|    |    |    |      |    |    |     |    |   |
|----|----|----|------|----|----|-----|----|---|
| 31 | 30 | 29 | 28   | 27 | 26 | 25  | 24 |   |
| –  | –  | –  | –    | –  | –  | –   | –  |   |
| 23 | 22 | 21 | 20   | 19 | 18 | 17  | 16 |   |
| –  | –  | –  | –    | –  | –  | –   | –  |   |
| 15 | 14 | 13 | 12   | 11 | 10 | 9   | 8  |   |
| –  | –  | –  | –    | –  | –  | –   | –  |   |
| 7  | 6  | 5  | 4    | 3  | 2  | 1   | 0  |   |
| –  | –  | –  | PRES |    |    | CSS |    | – |

- **CSS: Master Clock Selection**

| CSS |   | Clock Source Selection |
|-----|---|------------------------|
| 0   | 0 | Slow Clock is selected |
| 0   | 1 | Main Clock is selected |
| 1   | 0 | Reserved               |
| 1   | 1 | PLL Clock is selected. |

- **PRES: Master Clock Prescaler**

| PRES |   |   | Master Clock                 |
|------|---|---|------------------------------|
| 0    | 0 | 0 | Selected clock               |
| 0    | 0 | 1 | Selected clock divided by 2  |
| 0    | 1 | 0 | Selected clock divided by 4  |
| 0    | 1 | 1 | Selected clock divided by 8  |
| 1    | 0 | 0 | Selected clock divided by 16 |
| 1    | 0 | 1 | Selected clock divided by 32 |
| 1    | 1 | 0 | Selected clock divided by 64 |
| 1    | 1 | 1 | Reserved                     |

## 26.9.11 PMC Programmable Clock Register

**Register Name:** PMC\_PCKx

**Access Type:** Read/Write

|    |    |    |      |    |    |     |    |   |
|----|----|----|------|----|----|-----|----|---|
| 31 | 30 | 29 | 28   | 27 | 26 | 25  | 24 |   |
| –  | –  | –  | –    | –  | –  | –   | –  |   |
| 23 | 22 | 21 | 20   | 19 | 18 | 17  | 16 |   |
| –  | –  | –  | –    | –  | –  | –   | –  |   |
| 15 | 14 | 13 | 12   | 11 | 10 | 9   | 8  |   |
| –  | –  | –  | –    | –  | –  | –   | –  |   |
| 7  | 6  | 5  | 4    | 3  | 2  | 1   | 0  |   |
| –  | –  | –  | PRES |    |    | CSS |    | – |

- **CSS: Master Clock Selection**

| CSS |   | Clock Source Selection |
|-----|---|------------------------|
| 0   | 0 | Slow Clock is selected |
| 0   | 1 | Main Clock is selected |
| 1   | 0 | Reserved               |
| 1   | 1 | PLL Clock is selected  |

- **PRES: Programmable Clock Prescaler**

| PRES |   |   | Master Clock                 |
|------|---|---|------------------------------|
| 0    | 0 | 0 | Selected clock               |
| 0    | 0 | 1 | Selected clock divided by 2  |
| 0    | 1 | 0 | Selected clock divided by 4  |
| 0    | 1 | 1 | Selected clock divided by 8  |
| 1    | 0 | 0 | Selected clock divided by 16 |
| 1    | 0 | 1 | Selected clock divided by 32 |
| 1    | 1 | 0 | Selected clock divided by 64 |
| 1    | 1 | 1 | Reserved                     |

## 26.9.12 PMC Interrupt Enable Register

**Register Name:** PMC\_IER

**Access Type:** Write-only

|    |    |    |    |         |         |         |         |
|----|----|----|----|---------|---------|---------|---------|
| 31 | 30 | 29 | 28 | 27      | 26      | 25      | 24      |
| –  | –  | –  | –  | –       | –       | –       | –       |
| 23 | 22 | 21 | 20 | 19      | 18      | 17      | 16      |
| –  | –  | –  | –  | –       | –       | –       | –       |
| 15 | 14 | 13 | 12 | 11      | 10      | 9       | 8       |
| –  | –  | –  | –  | PCKRDY3 | PCKRDY2 | PCKRDY1 | PCKRDY0 |
| 7  | 6  | 5  | 4  | 3       | 2       | 1       | 0       |
| –  | –  | –  | –  | MCKRDY  | LOCK    | –       | MOSCS   |

- **MOSCS: Main Oscillator Status Interrupt Enable**
- **LOCK: PLL Lock Interrupt Enable**
- **MCKRDY: Master Clock Ready Interrupt Enable**
- **PCKRDYx: Programmable Clock Ready x Interrupt Enable**

0 = No effect.

1 = Enables the corresponding interrupt.

## 26.9.13 PMC Interrupt Disable Register

**Register Name:** PMC\_IDR

**Access Type:** Write-only

|    |    |    |    |         |         |         |         |
|----|----|----|----|---------|---------|---------|---------|
| 31 | 30 | 29 | 28 | 27      | 26      | 25      | 24      |
| –  | –  | –  | –  | –       | –       | –       | –       |
| 23 | 22 | 21 | 20 | 19      | 18      | 17      | 16      |
| –  | –  | –  | –  | –       | –       | –       | –       |
| 15 | 14 | 13 | 12 | 11      | 10      | 9       | 8       |
| –  | –  | –  | –  | PCKRDY3 | PCKRDY2 | PCKRDY1 | PCKRDY0 |
| 7  | 6  | 5  | 4  | 3       | 2       | 1       | 0       |
| –  | –  | –  | –  | MCKRDY  | LOCK    | –       | MOSCS   |

- **MOSCS: Main Oscillator Status Interrupt Disable**
- **LOCK: PLL Lock Interrupt Disable**
- **MCKRDY: Master Clock Ready Interrupt Disable**
- **PCKRDYx: Programmable Clock Ready x Interrupt Disable**

0 = No effect.

1 = Disables the corresponding interrupt.

## 26.9.14 PMC Status Register

**Register Name:** PMC\_SR

**Access Type:** Read-only

|    |    |    |    |         |         |         |         |
|----|----|----|----|---------|---------|---------|---------|
| 31 | 30 | 29 | 28 | 27      | 26      | 25      | 24      |
| –  | –  | –  | –  | –       | –       | –       | –       |
| 23 | 22 | 21 | 20 | 19      | 18      | 17      | 16      |
| –  | –  | –  | –  | –       | –       | –       | –       |
| 15 | 14 | 13 | 12 | 11      | 10      | 9       | 8       |
| –  | –  | –  | –  | PCKRDY3 | PCKRDY2 | PCKRDY1 | PCKRDY0 |
| 7  | 6  | 5  | 4  | 3       | 2       | 1       | 0       |
| –  | –  | –  | –  | MCKRDY  | LOCK    | –       | MOSCS   |

- **MOSCS: MOSCS Flag Status**

0 = Main oscillator is not stabilized.

1 = Main oscillator is stabilized.

- **LOCK: PLL Lock Status**

0 = PLL is not locked

1 = PLL is locked.

- **MCKRDY: Master Clock Status**

0 = Master Clock is not ready.

1 = Master Clock is ready.

- **PCKRDYx: Programmable Clock Ready Status**

0 = Programmable Clock x is not ready.

1 = Programmable Clock x is ready.

## 26.9.15 PMC Interrupt Mask Register

**Register Name:** PMC\_IMR

**Access Type:** Read-only

|    |    |    |    |         |         |         |         |
|----|----|----|----|---------|---------|---------|---------|
| 31 | 30 | 29 | 28 | 27      | 26      | 25      | 24      |
| –  | –  | –  | –  | –       | –       | –       | –       |
| 23 | 22 | 21 | 20 | 19      | 18      | 17      | 16      |
| –  | –  | –  | –  | –       | –       | –       | –       |
| 15 | 14 | 13 | 12 | 11      | 10      | 9       | 8       |
| –  | –  | –  | –  | PCKRDY3 | PCKRDY2 | PCKRDY1 | PCKRDY0 |
| 7  | 6  | 5  | 4  | 3       | 2       | 1       | 0       |
| –  | –  | –  | –  | MCKRDY  | LOCK    | –       | MOSCS   |

- **MOSCS: Main Oscillator Status Interrupt Mask**
- **LOCK: PLL Lock Interrupt Mask**
- **MCKRDY: Master Clock Ready Interrupt Mask**
- **PCKRDYx: Programmable Clock Ready x Interrupt Mask**

0 = The corresponding interrupt is enabled.

1 = The corresponding interrupt is disabled.



## 27. Debug Unit (DBGU)

### 27.1 Overview

The Debug Unit provides a single entry point from the processor for access to all the debug capabilities of Atmel's ARM-based systems.

The Debug Unit features a two-pin UART that can be used for several debug and trace purposes and offers an ideal medium for in-situ programming solutions and debug monitor communications. Moreover, the association with two peripheral data controller channels permits packet handling for these tasks with processor time reduced to a minimum.

The Debug Unit also makes the Debug Communication Channel (DCC) signals provided by the In-circuit Emulator of the ARM processor visible to the software. These signals indicate the status of the DCC read and write registers and generate an interrupt to the ARM processor, making possible the handling of the DCC under interrupt control.

Chip Identifier registers permit recognition of the device and its revision. These registers inform as to the sizes and types of the on-chip memories, as well as the set of embedded peripherals.

Finally, the Debug Unit features a Force NTRST capability that enables the software to decide whether to prevent access to the system via the In-circuit Emulator. This permits protection of the code, stored in ROM.

## 27.2 Block Diagram

Figure 27-1. Debug Unit Functional Block Diagram

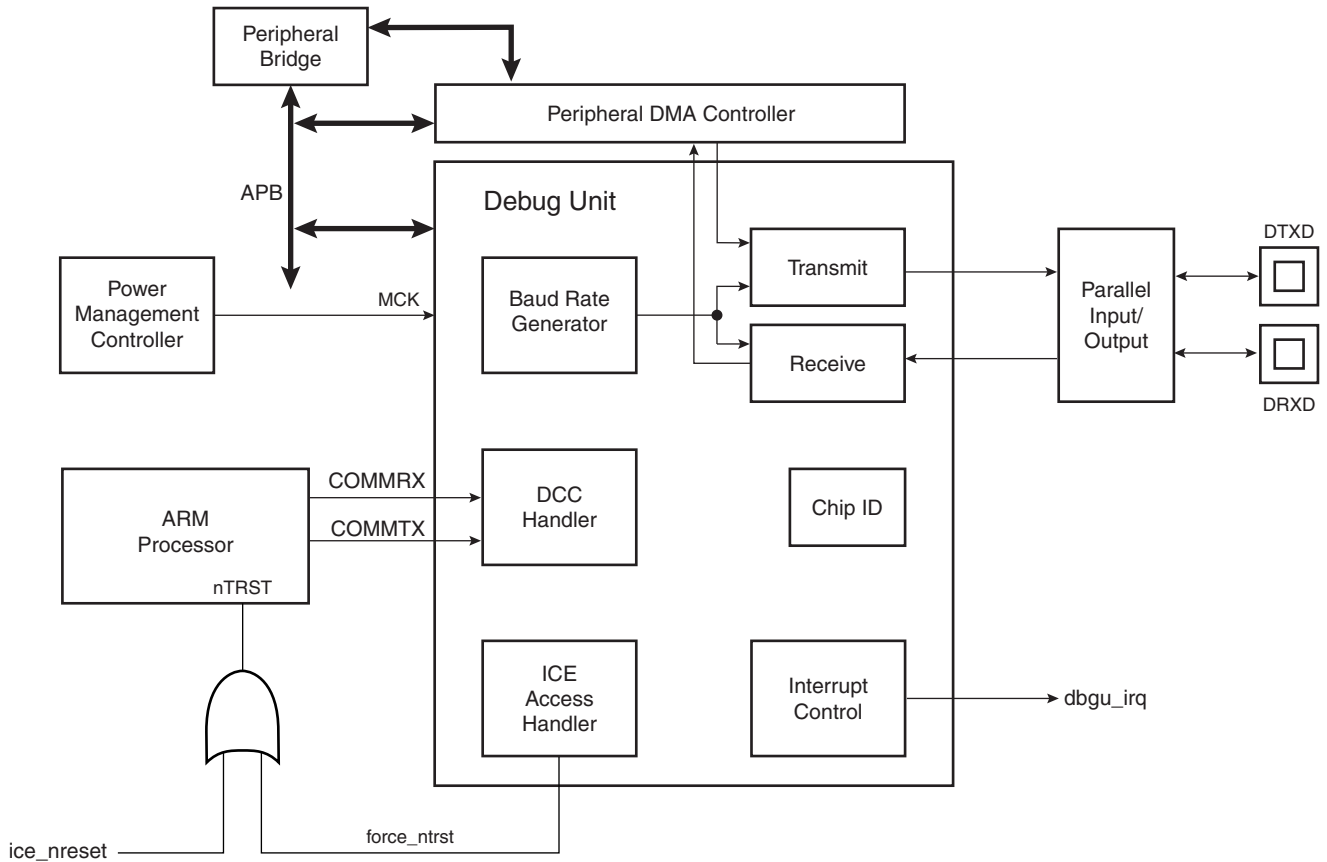
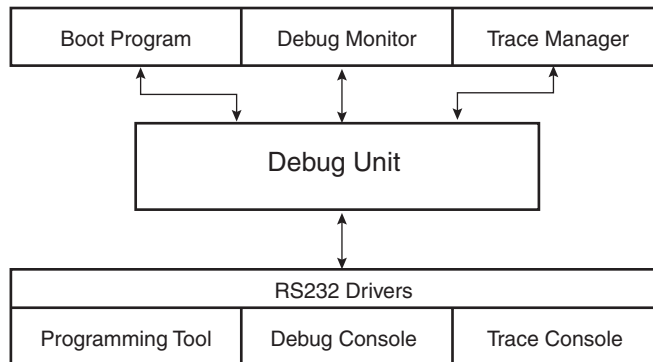


Table 27-1. Debug Unit Pin Description

| Pin Name | Description         | Type   |
|----------|---------------------|--------|
| DRXD     | Debug Receive Data  | Input  |
| DTXD     | Debug Transmit Data | Output |

Figure 27-2. Debug Unit Application Example



## 27.3 Product Dependencies

### 27.3.1 I/O Lines

Depending on product integration, the Debug Unit pins may be multiplexed with PIO lines. In this case, the programmer must first configure the corresponding PIO Controller to enable I/O lines operations of the Debug Unit.

### 27.3.2 Power Management

Depending on product integration, the Debug Unit clock may be controllable through the Power Management Controller. In this case, the programmer must first configure the PMC to enable the Debug Unit clock. Usually, the peripheral identifier used for this purpose is 1.

### 27.3.3 Interrupt Source

Depending on product integration, the Debug Unit interrupt line is connected to one of the interrupt sources of the Advanced Interrupt Controller. Interrupt handling requires programming of the AIC before configuring the Debug Unit. Usually, the Debug Unit interrupt line connects to the interrupt source 1 of the AIC, which may be shared with the real-time clock, the system timer interrupt lines and other system peripheral interrupts, as shown in [Figure 27-1](#). This sharing requires the programmer to determine the source of the interrupt when the source 1 is triggered.

## 27.4 UART Operations

The Debug Unit operates as a UART, (asynchronous mode only) and supports only 8-bit character handling (with parity). It has no clock pin.

The Debug Unit's UART is made up of a receiver and a transmitter that operate independently, and a common baud rate generator. Receiver timeout and transmitter time guard are not implemented. However, all the implemented features are compatible with those of a standard USART.

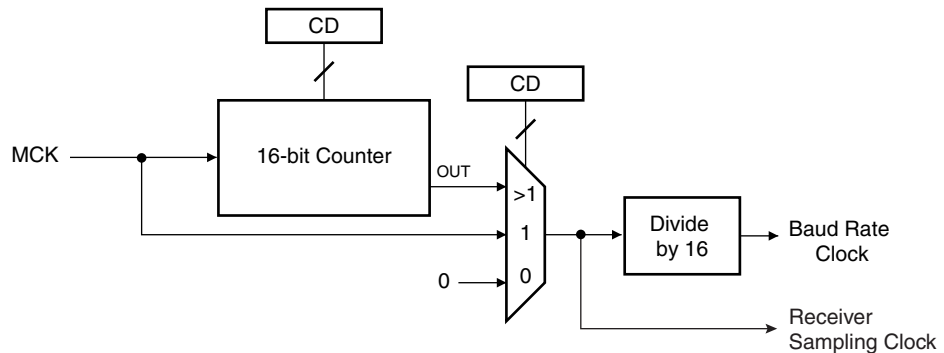
### 27.4.1 Baud Rate Generator

The baud rate generator provides the bit period clock named baud rate clock to both the receiver and the transmitter.

The baud rate clock is the master clock divided by 16 times the value (CD) written in DBGU\_BRGR (Baud Rate Generator Register). If DBGU\_BRGR is set to 0, the baud rate clock is disabled and the Debug Unit's UART remains inactive. The maximum allowable baud rate is Master Clock divided by 16. The minimum allowable baud rate is Master Clock divided by (16 x 65536).

$$\text{Baud Rate} = \frac{\text{MCK}}{16 \times \text{CD}}$$

**Figure 27-3.** Baud Rate Generator



### 27.4.2 Receiver

#### 27.4.2.1 Receiver Reset, Enable and Disable

After device reset, the Debug Unit receiver is disabled and must be enabled before being used. The receiver can be enabled by writing the control register DBGU\_CR with the bit RXEN at 1. At this command, the receiver starts looking for a start bit.

The programmer can disable the receiver by writing DBGU\_CR with the bit RXDIS at 1. If the receiver is waiting for a start bit, it is immediately stopped. However, if the receiver has already detected a start bit and is receiving the data, it waits for the stop bit before actually stopping its operation.

The programmer can also put the receiver in its reset state by writing DBGU\_CR with the bit RSTRX at 1. In doing so, the receiver immediately stops its current operations and is disabled, whatever its current state. If RSTRX is applied when data is being processed, this data is lost.

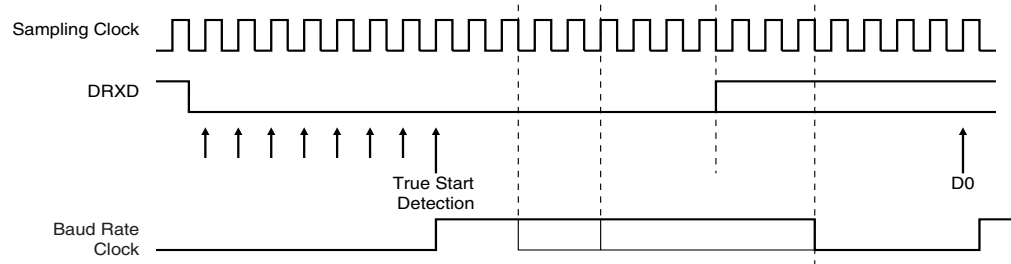
## 27.4.2.2 Start Detection and Data Sampling

The Debug Unit only supports asynchronous operations, and this affects only its receiver. The Debug Unit receiver detects the start of a received character by sampling the DRXD signal until it detects a valid start bit. A low level (space) on DRXD is interpreted as a valid start bit if it is detected for more than 7 cycles of the sampling clock, which is 16 times the baud rate. Hence, a space that is longer than 7/16 of the bit period is detected as a valid start bit. A space which is 7/16 of a bit period or shorter is ignored and the receiver continues to wait for a valid start bit.

When a valid start bit has been detected, the receiver samples the DRXD at the theoretical midpoint of each bit. It is assumed that each bit lasts 16 cycles of the sampling clock (1-bit period) so the bit sampling point is eight cycles (0.5-bit period) after the start of the bit. The first sampling point is therefore 24 cycles (1.5-bit periods) after the falling edge of the start bit was detected.

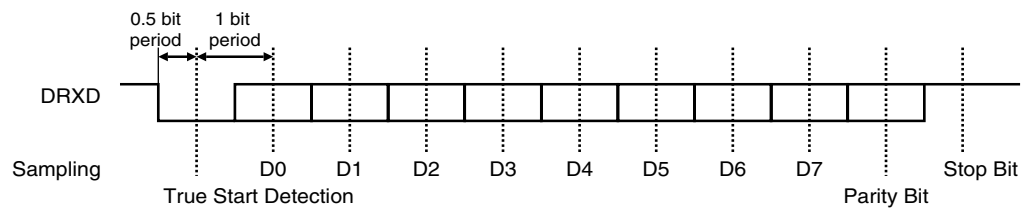
Each subsequent bit is sampled 16 cycles (1-bit period) after the previous one.

**Figure 27-4.** Start Bit Detection



**Figure 27-5.** Character Reception

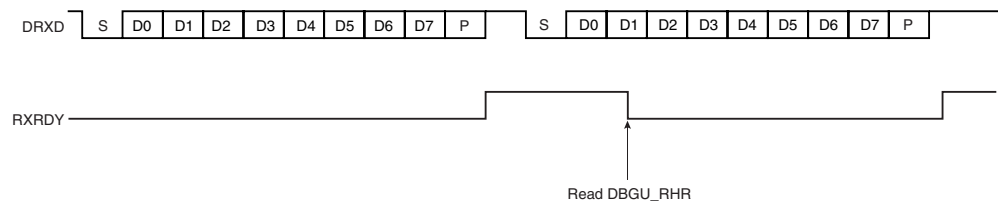
Example: 8-bit, parity enabled 1 stop



## 27.4.2.3 Receiver Ready

When a complete character is received, it is transferred to the DBGU\_RHR and the RXRDY status bit in DBGU\_SR (Status Register) is set. The bit RXRDY is automatically cleared when the receive holding register DBGU\_RHR is read.

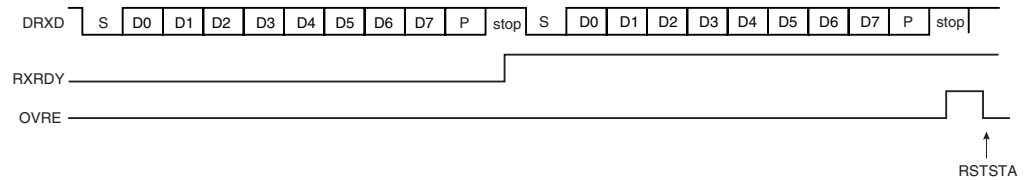
**Figure 27-6.** Receiver Ready



### 27.4.2.4 Receiver Overrun

If DBGU\_RHR has not been read by the software (or the Peripheral Data Controller) since the last transfer, the RXRDY bit is still set and a new character is received, the OVRE status bit in DBGU\_SR is set. OVRE is cleared when the software writes the control register DBGU\_CR with the bit RSTSTA (Reset Status) at 1.

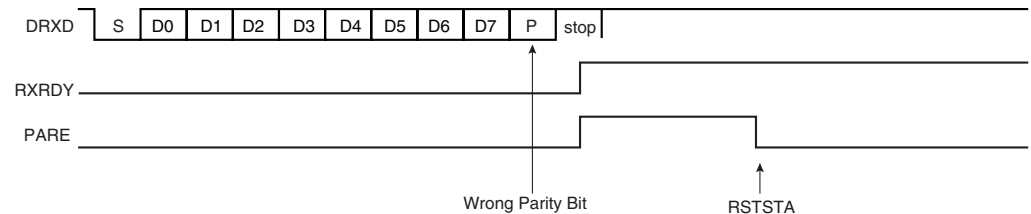
**Figure 27-7.** Receiver Overrun



### 27.4.2.5 Parity Error

Each time a character is received, the receiver calculates the parity of the received data bits, in accordance with the field PAR in DBGU\_MR. It then compares the result with the received parity bit. If different, the parity error bit PARE in DBGU\_SR is set at the same time the RXRDY is set. The parity bit is cleared when the control register DBGU\_CR is written with the bit RSTSTA (Reset Status) at 1. If a new character is received before the reset status command is written, the PARE bit remains at 1.

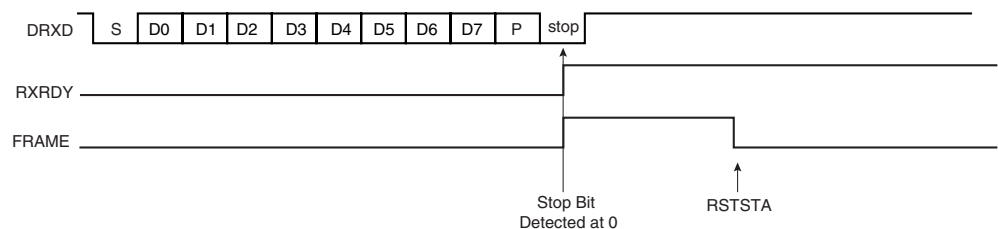
**Figure 27-8.** Parity Error



### 27.4.2.6 Receiver Framing Error

When a start bit is detected, it generates a character reception when all the data bits have been sampled. The stop bit is also sampled and when it is detected at 0, the FRAME (Framing Error) bit in DBGU\_SR is set at the same time the RXRDY bit is set. The bit FRAME remains high until the control register DBGU\_CR is written with the bit RSTSTA at 1.

**Figure 27-9.** Receiver Framing Error



## 27.4.3 Transmitter

### 27.4.3.1 Transmitter Reset, Enable and Disable

After device reset, the Debug Unit transmitter is disabled and it must be enabled before being used. The transmitter is enabled by writing the control register DBGU\_CR with the bit TXEN at 1. From this command, the transmitter waits for a character to be written in the Transmit Holding Register DBGU\_THR before actually starting the transmission.

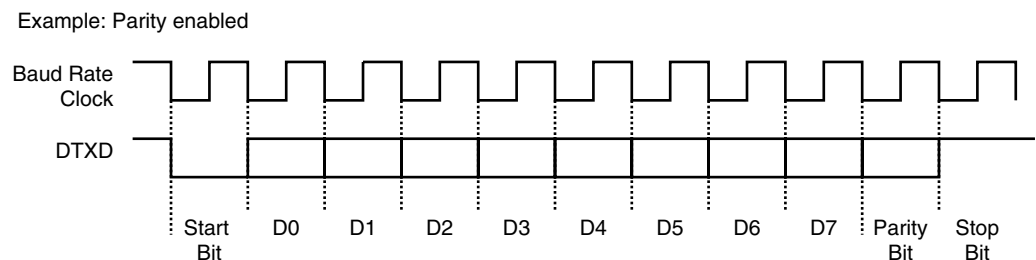
The programmer can disable the transmitter by writing DBGU\_CR with the bit TXDIS at 1. If the transmitter is not operating, it is immediately stopped. However, if a character is being processed into the Shift Register and/or a character has been written in the Transmit Holding Register, the characters are completed before the transmitter is actually stopped.

The programmer can also put the transmitter in its reset state by writing the DBGU\_CR with the bit RSTTX at 1. This immediately stops the transmitter, whether or not it is processing characters.

### 27.4.3.2 Transmit Format

The Debug Unit transmitter drives the pin DTXD at the baud rate clock speed. The line is driven depending on the format defined in the Mode Register and the data stored in the Shift Register. One start bit at level 0, then the 8 data bits, from the lowest to the highest bit, one optional parity bit and one stop bit at 1 are consecutively shifted out as shown on the following figure. The field PARE in the mode register DBGU\_MR defines whether or not a parity bit is shifted out. When a parity bit is enabled, it can be selected between an odd parity, an even parity, or a fixed space or mark bit.

**Figure 27-10.** Character Transmission

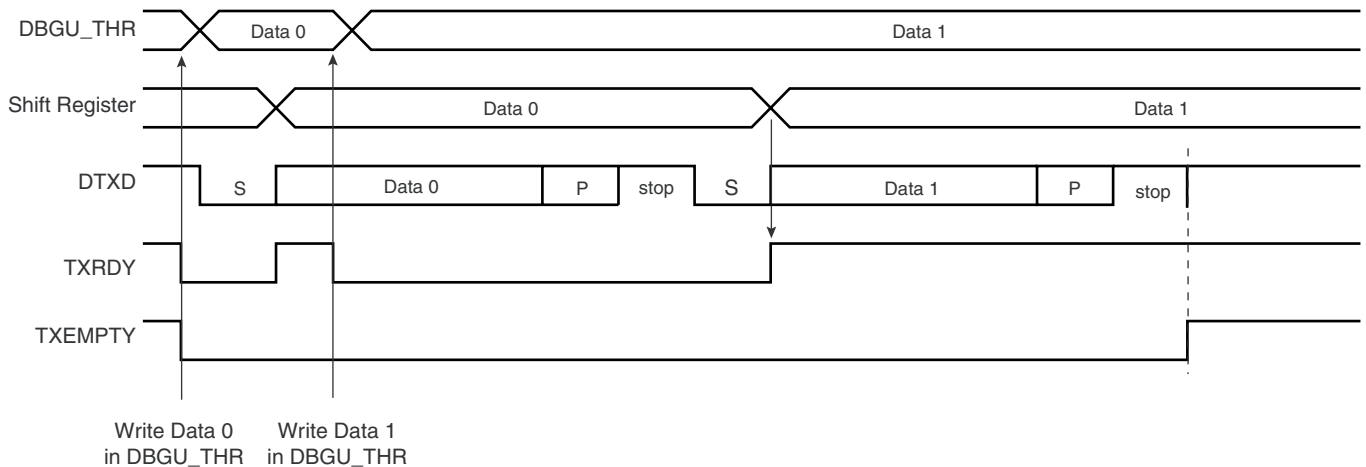


### 27.4.3.3 Transmitter Control

When the transmitter is enabled, the bit TXRDY (Transmitter Ready) is set in the status register DBGU\_SR. The transmission starts when the programmer writes in the Transmit Holding Register DBGU\_THR, and after the written character is transferred from DBGU\_THR to the Shift Register. The bit TXRDY remains high until a second character is written in DBGU\_THR. As soon as the first character is completed, the last character written in DBGU\_THR is transferred into the shift register and TXRDY rises again, showing that the holding register is empty.

When both the Shift Register and the DBGU\_THR are empty, i.e., all the characters written in DBGU\_THR have been processed, the bit TXEMPTY rises after the last stop bit has been completed.

**Figure 27-11. Transmitter Control**



#### 27.4.4 Peripheral Data Controller

Both the receiver and the transmitter of the Debug Unit's UART are generally connected to a Peripheral Data Controller (PDC) channel.

The peripheral data controller channels are programmed via registers that are mapped within the Debug Unit user interface from the offset 0x100. The status bits are reported in the Debug Unit status register `DBGU_SR` and can generate an interrupt.

The `RXRDY` bit triggers the PDC channel data transfer of the receiver. This results in a read of the data in `DBGU_RHR`. The `TXRDY` bit triggers the PDC channel data transfer of the transmitter. This results in a write of a data in `DBGU_THR`.

#### 27.4.5 Test Modes

The Debug Unit supports three tests modes. These modes of operation are programmed by using the field `CHMODE` (Channel Mode) in the mode register `DBGU_MR`.

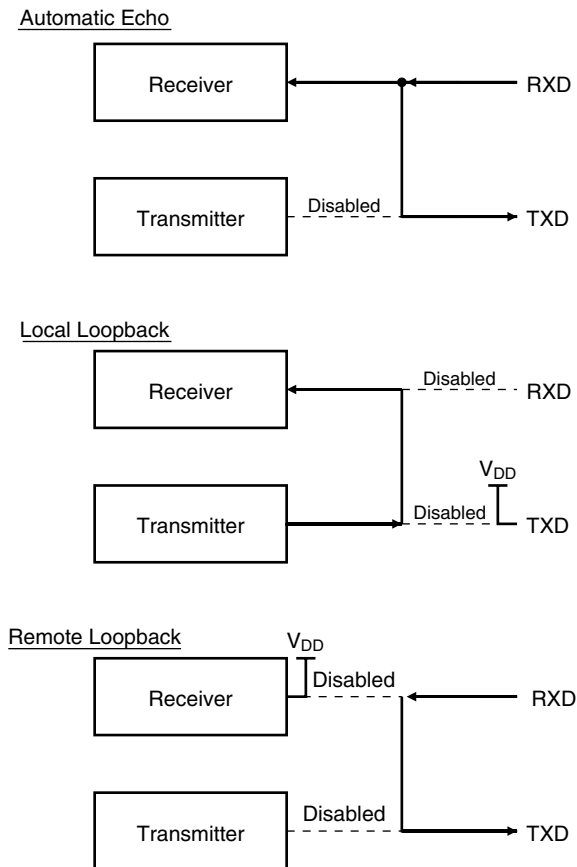
The Automatic Echo mode allows bit-by-bit retransmission. When a bit is received on the `DRXD` line, it is sent to the `DTXD` line. The transmitter operates normally, but has no effect on the `DTXD` line.

The Local Loopback mode allows the transmitted characters to be received. `DTXD` and `DRXD` pins are not used and the output of the transmitter is internally connected to the input of the receiver. The `DRXD` pin level has no effect and the `DTXD` line is held high, as in idle state.

The Remote Loopback mode directly connects the `DRXD` pin to the `DTXD` line. The transmitter and the receiver are disabled and have no effect. This mode allows a bit-by-bit retransmission.



**Figure 27-12. Test Modes**



## 27.4.6 Debug Communication Channel Support

The Debug Unit handles the signals COMMRX and COMMTX that come from the Debug Communication Channel of the ARM Processor and are driven by the In-circuit Emulator.

The Debug Communication Channel contains two registers that are accessible through the ICE Breaker on the JTAG side and through the coprocessor 0 on the ARM Processor side.

As a reminder, the following instructions are used to read and write the Debug Communication Channel:

```
MRC    p14, 0, Rd, c1, c0, 0
```

Returns the debug communication data read register into Rd

```
MCR    p14, 0, Rd, c1, c0, 0
```

Writes the value in Rd to the debug communication data write register.

The bits COMMRX and COMMTX, which indicate, respectively, that the read register has been written by the debugger but not yet read by the processor, and that the write register has been written by the processor and not yet read by the debugger, are wired on the two highest bits of the status register DBGU\_SR. These bits can generate an interrupt. This feature permits handling under interrupt a debug link between a debug monitor running on the target system and a debugger.

### 27.4.7 Chip Identifier

The Debug Unit features two chip identifier registers, DBGU\_CIDR (Chip ID Register) and DBGU\_EXID (Extension ID). Both registers contain a hard-wired value that is read-only. The first register contains the following fields:

- EXT - shows the use of the extension identifier register
- NVPTYP and NVPSIZ - identifies the type of embedded non-volatile memory and its size
- ARCH - identifies the set of embedded peripheral
- SRAMSIZ - indicates the size of the embedded SRAM
- EPROC - indicates the embedded ARM processor
- VERSION - gives the revision of the silicon

The second register is device-dependent and reads 0 if the bit EXT is 0.

### 27.4.8 ICE Access Prevention

The Debug Unit allows blockage of access to the system through the ARM processor's ICE interface. This feature is implemented via the register Force NTRST (DBGU\_FNR), that allows assertion of the NTRST signal of the ICE Interface. Writing the bit FNTRST (Force NTRST) to 1 in this register prevents any activity on the TAP controller.

On standard devices, the bit FNTRST resets to 0 and thus does not prevent ICE access.

This feature is especially useful on custom ROM devices for customers who do not want their on-chip code to be visible.

## 27.5 Debug Unit User Interface

**Table 27-2.** Debug Unit Memory Map

| Offset          | Register                     | Name      | Access     | Reset Value |
|-----------------|------------------------------|-----------|------------|-------------|
| 0x0000          | Control Register             | DBGU_CR   | Write-only | –           |
| 0x0004          | Mode Register                | DBGU_MR   | Read/Write | 0x0         |
| 0x0008          | Interrupt Enable Register    | DBGU_IER  | Write-only | –           |
| 0x000C          | Interrupt Disable Register   | DBGU_IDR  | Write-only | –           |
| 0x0010          | Interrupt Mask Register      | DBGU_IMR  | Read-only  | 0x0         |
| 0x0014          | Status Register              | DBGU_SR   | Read-only  | –           |
| 0x0018          | Receive Holding Register     | DBGU_RHR  | Read-only  | 0x0         |
| 0x001C          | Transmit Holding Register    | DBGU_THR  | Write-only | –           |
| 0x0020          | Baud Rate Generator Register | DBGU_BRGR | Read/Write | 0x0         |
| 0x0024 - 0x003C | Reserved                     | –         | –          | –           |
| 0x0040          | Chip ID Register             | DBGU_CIDR | Read-only  | –           |
| 0x0044          | Chip ID Extension Register   | DBGU_EXID | Read-only  | –           |
| 0x0048          | Force NTRST Register         | DBGU_FNR  | Read/Write | 0x0         |
| 0x004C - 0x00FC | Reserved                     | –         | –          | –           |
| 0x0100 - 0x0124 | PDC Area                     | –         | –          | –           |

### 27.5.1 Debug Unit Control Register

**Name:** DBGU\_CR

**Access Type:** Write-only

|       |      |       |      |       |       |    |        |
|-------|------|-------|------|-------|-------|----|--------|
| 31    | 30   | 29    | 28   | 27    | 26    | 25 | 24     |
| –     | –    | –     | –    | –     | –     | –  | –      |
| 23    | 22   | 21    | 20   | 19    | 18    | 17 | 16     |
| –     | –    | –     | –    | –     | –     | –  | –      |
| 15    | 14   | 13    | 12   | 11    | 10    | 9  | 8      |
| –     | –    | –     | –    | –     | –     | –  | RSTSTA |
| 7     | 6    | 5     | 4    | 3     | 2     | 1  | 0      |
| TXDIS | TXEN | RXDIS | RXEN | RSTTX | RSTRX | –  | –      |

- **RSTRX: Reset Receiver**

0 = No effect.

1 = The receiver logic is reset and disabled. If a character is being received, the reception is aborted.

- **RSTTX: Reset Transmitter**

0 = No effect.

1 = The transmitter logic is reset and disabled. If a character is being transmitted, the transmission is aborted.

- **RXEN: Receiver Enable**

0 = No effect.

1 = The receiver is enabled if RXDIS is 0.

- **RXDIS: Receiver Disable**

0 = No effect.

1 = The receiver is disabled. If a character is being processed and RSTRX is not set, the character is completed before the receiver is stopped.

- **TXEN: Transmitter Enable**

0 = No effect.

1 = The transmitter is enabled if TXDIS is 0.

- **TXDIS: Transmitter Disable**

0 = No effect.

1 = The transmitter is disabled. If a character is being processed and a character has been written the DBGU\_THR and RSTTX is not set, both characters are completed before the transmitter is stopped.

- **RSTSTA: Reset Status Bits**

0 = No effect.

1 = Resets the status bits PARE, FRAME and OVRE in the DBGU\_SR.

## 27.5.2 Debug Unit Mode Register

**Name:** DBGU\_MR

**Access Type:** Read/Write

|        |    |    |    |     |    |    |    |
|--------|----|----|----|-----|----|----|----|
| 31     | 30 | 29 | 28 | 27  | 26 | 25 | 24 |
| –      | –  | –  | –  | –   | –  | –  | –  |
| 23     | 22 | 21 | 20 | 19  | 18 | 17 | 16 |
| –      | –  | –  | –  | –   | –  | –  | –  |
| 15     | 14 | 13 | 12 | 11  | 10 | 9  | 8  |
| CHMODE |    | –  | –  | PAR |    | –  |    |
| 7      | 6  | 5  | 4  | 3   | 2  | 1  | 0  |
| –      | –  | –  | –  | –   | –  | –  | –  |

- **PAR: Parity Type**

| PAR |   |   | Parity Type               |
|-----|---|---|---------------------------|
| 0   | 0 | 0 | Even parity               |
| 0   | 0 | 1 | Odd parity                |
| 0   | 1 | 0 | Space: parity forced to 0 |
| 0   | 1 | 1 | Mark: parity forced to 1  |
| 1   | x | x | No parity                 |

- **CHMODE: Channel Mode**

| CHMODE |   | Mode Description |
|--------|---|------------------|
| 0      | 0 | Normal Mode      |
| 0      | 1 | Automatic Echo   |
| 1      | 0 | Local Loopback   |
| 1      | 1 | Remote Loopback  |

### 27.5.3 Debug Unit Interrupt Enable Register

**Name:** DBGU\_IER

**Access Type:** Write-only

|        |        |      |        |        |    |         |       |
|--------|--------|------|--------|--------|----|---------|-------|
| 31     | 30     | 29   | 28     | 27     | 26 | 25      | 24    |
| COMMRX | COMMTX | –    | –      | –      | –  | –       | –     |
| 23     | 22     | 21   | 20     | 19     | 18 | 17      | 16    |
| –      | –      | –    | –      | –      | –  | –       | –     |
| 15     | 14     | 13   | 12     | 11     | 10 | 9       | 8     |
| –      | –      | –    | RXBUFF | TXBUFE | –  | TXEMPTY | –     |
| 7      | 6      | 5    | 4      | 3      | 2  | 1       | 0     |
| PARE   | FRAME  | OVRE | ENDTX  | ENDRX  | –  | TXRDY   | RXRDY |

- **RXRDY:** Enable RXRDY Interrupt
- **TXRDY:** Enable TXRDY Interrupt
- **ENDRX:** Enable End of Receive Transfer Interrupt
- **ENDTX:** Enable End of Transmit Interrupt
- **OVRE:** Enable Overrun Error Interrupt
- **FRAME:** Enable Framing Error Interrupt
- **PARE:** Enable Parity Error Interrupt
- **TXEMPTY:** Enable TXEMPTY Interrupt
- **TXBUFE:** Enable Buffer Empty Interrupt
- **RXBUFF:** Enable Buffer Full Interrupt
- **COMMTX:** Enable COMMTX (from ARM) Interrupt
- **COMMRX:** Enable COMMRX (from ARM) Interrupt

0 = No effect.

1 = Enables the corresponding interrupt.

## 27.5.4 Debug Unit Interrupt Disable Register

**Name:** DBGU\_IDR

**Access Type:** Write-only

|        |        |      |        |        |    |         |       |
|--------|--------|------|--------|--------|----|---------|-------|
| 31     | 30     | 29   | 28     | 27     | 26 | 25      | 24    |
| COMMRX | COMMTX | –    | –      | –      | –  | –       | –     |
| 23     | 22     | 21   | 20     | 19     | 18 | 17      | 16    |
| –      | –      | –    | –      | –      | –  | –       | –     |
| 15     | 14     | 13   | 12     | 11     | 10 | 9       | 8     |
| –      | –      | –    | RXBUFF | TXBUFE | –  | TXEMPTY | –     |
| 7      | 6      | 5    | 4      | 3      | 2  | 1       | 0     |
| PARE   | FRAME  | OVRE | ENDTX  | ENDRX  | –  | TXRDY   | RXRDY |

- **RXRDY:** Disable RXRDY Interrupt
- **TXRDY:** Disable TXRDY Interrupt
- **ENDRX:** Disable End of Receive Transfer Interrupt
- **ENDTX:** Disable End of Transmit Interrupt
- **OVRE:** Disable Overrun Error Interrupt
- **FRAME:** Disable Framing Error Interrupt
- **PARE:** Disable Parity Error Interrupt
- **TXEMPTY:** Disable TXEMPTY Interrupt
- **TXBUFE:** Disable Buffer Empty Interrupt
- **RXBUFF:** Disable Buffer Full Interrupt
- **COMMTX:** Disable COMMTX (from ARM) Interrupt
- **COMMRX:** Disable COMMRX (from ARM) Interrupt

0 = No effect.

1 = Disables the corresponding interrupt.



## 27.5.5 Debug Unit Interrupt Mask Register

Name: DBGU\_IMR

Access Type: Read-only

|        |        |      |        |        |    |         |       |
|--------|--------|------|--------|--------|----|---------|-------|
| 31     | 30     | 29   | 28     | 27     | 26 | 25      | 24    |
| COMMRX | COMMTX | –    | –      | –      | –  | –       | –     |
| 23     | 22     | 21   | 20     | 19     | 18 | 17      | 16    |
| –      | –      | –    | –      | –      | –  | –       | –     |
| 15     | 14     | 13   | 12     | 11     | 10 | 9       | 8     |
| –      | –      | –    | RXBUFF | TXBUFE | –  | TXEMPTY | –     |
| 7      | 6      | 5    | 4      | 3      | 2  | 1       | 0     |
| PARE   | FRAME  | OVRE | ENDTX  | ENDRX  | –  | TXRDY   | RXRDY |

- **RXRDY: Mask RXRDY Interrupt**
- **TXRDY: Disable TXRDY Interrupt**
- **ENDRX: Mask End of Receive Transfer Interrupt**
- **ENDTX: Mask End of Transmit Interrupt**
- **OVRE: Mask Overrun Error Interrupt**
- **FRAME: Mask Framing Error Interrupt**
- **PARE: Mask Parity Error Interrupt**
- **TXEMPTY: Mask TXEMPTY Interrupt**
- **TXBUFE: Mask TXBUFE Interrupt**
- **RXBUFF: Mask RXBUFF Interrupt**
- **COMMTX: Mask COMMTX Interrupt**
- **COMMRX: Mask COMMRX Interrupt**

0 = The corresponding interrupt is disabled.

1 = The corresponding interrupt is enabled.



## 27.5.6 Debug Unit Status Register

**Name:** DBGU\_SR

**Access Type:** Read-only

|        |        |      |        |        |    |         |       |
|--------|--------|------|--------|--------|----|---------|-------|
| 31     | 30     | 29   | 28     | 27     | 26 | 25      | 24    |
| COMMRX | COMMTX | –    | –      | –      | –  | –       | –     |
| 23     | 22     | 21   | 20     | 19     | 18 | 17      | 16    |
| –      | –      | –    | –      | –      | –  | –       | –     |
| 15     | 14     | 13   | 12     | 11     | 10 | 9       | 8     |
| –      | –      | –    | RXBUFF | TXBUFE | –  | TXEMPTY | –     |
| 7      | 6      | 5    | 4      | 3      | 2  | 1       | 0     |
| PARE   | FRAME  | OVRE | ENDTX  | ENDRX  | –  | TXRDY   | RXRDY |

- **RXRDY: Receiver Ready**

0 = No character has been received since the last read of the DBGU\_RHR or the receiver is disabled.

1 = At least one complete character has been received, transferred to DBGU\_RHR and not yet read.

- **TXRDY: Transmitter Ready**

0 = A character has been written to DBGU\_THR and not yet transferred to the Shift Register, or the transmitter is disabled.

1 = There is no character written to DBGU\_THR not yet transferred to the Shift Register.

- **ENDRX: End of Receiver Transfer**

0 = The End of Transfer signal from the receiver Peripheral Data Controller channel is inactive.

1 = The End of Transfer signal from the receiver Peripheral Data Controller channel is active.

- **ENDTX: End of Transmitter Transfer**

0 = The End of Transfer signal from the transmitter Peripheral Data Controller channel is inactive.

1 = The End of Transfer signal from the transmitter Peripheral Data Controller channel is active.

- **OVRE: Overrun Error**

0 = No overrun error has occurred since the last RSTSTA.

1 = At least one overrun error has occurred since the last RSTSTA.

- **FRAME: Framing Error**

0 = No framing error has occurred since the last RSTSTA.

1 = At least one framing error has occurred since the last RSTSTA.

- **PARE: Parity Error**

0 = No parity error has occurred since the last RSTSTA.

1 = At least one parity error has occurred since the last RSTSTA.

- **TXEMPTY: Transmitter Empty**

0 = There are characters in DBGU\_THR, or characters being processed by the transmitter, or the transmitter is disabled.

1 = There are no characters in DBGU\_THR and there are no characters being processed by the transmitter.

- **TXBUFE: Transmission Buffer Empty**

0 = The buffer empty signal from the transmitter PDC channel is inactive.

1 = The buffer empty signal from the transmitter PDC channel is active.

- **RXBUFF: Receive Buffer Full**

0 = The buffer full signal from the receiver PDC channel is inactive.

1 = The buffer full signal from the receiver PDC channel is active.

- **COMMTX: Debug Communication Channel Write Status**

0 = COMMTX from the ARM processor is inactive.

1 = COMMTX from the ARM processor is active.

- **COMMRX: Debug Communication Channel Read Status**

0 = COMMRX from the ARM processor is inactive.

1 = COMMRX from the ARM processor is active.

## 27.5.7 Debug Unit Receiver Holding Register

**Name:** DBGU\_RHR

**Access Type:** Read-only

|       |    |    |    |    |    |    |    |
|-------|----|----|----|----|----|----|----|
| 31    | 30 | 29 | 28 | 27 | 26 | 25 | 24 |
| –     | –  | –  | –  | –  | –  | –  | –  |
| 23    | 22 | 21 | 20 | 19 | 18 | 17 | 16 |
| –     | –  | –  | –  | –  | –  | –  | –  |
| 15    | 14 | 13 | 12 | 11 | 10 | 9  | 8  |
| –     | –  | –  | –  | –  | –  | –  | –  |
| 7     | 6  | 5  | 4  | 3  | 2  | 1  | 0  |
| RXCHR |    |    |    |    |    |    |    |

- **RXCHR: Received Character**

Last received character if RXRDY is set.

## 27.5.8 Debug Unit Transmit Holding Register

**Name:** DBGU\_THR

**Access Type:** Write-only

|       |    |    |    |    |    |    |    |
|-------|----|----|----|----|----|----|----|
| 31    | 30 | 29 | 28 | 27 | 26 | 25 | 24 |
| –     | –  | –  | –  | –  | –  | –  | –  |
| 23    | 22 | 21 | 20 | 19 | 18 | 17 | 16 |
| –     | –  | –  | –  | –  | –  | –  | –  |
| 15    | 14 | 13 | 12 | 11 | 10 | 9  | 8  |
| –     | –  | –  | –  | –  | –  | –  | –  |
| 7     | 6  | 5  | 4  | 3  | 2  | 1  | 0  |
| TXCHR |    |    |    |    |    |    |    |

- **TXCHR: Character to be Transmitted**

Next character to be transmitted after the current character if TXRDY is not set.



### 27.5.9 Debug Unit Baud Rate Generator Register

Name: DBGU\_BRGR

Access Type: Read/Write

|    |    |    |    |    |    |    |    |
|----|----|----|----|----|----|----|----|
| 31 | 30 | 29 | 28 | 27 | 26 | 25 | 24 |
| –  | –  | –  | –  | –  | –  | –  | –  |
| 23 | 22 | 21 | 20 | 19 | 18 | 17 | 16 |
| –  | –  | –  | –  | –  | –  | –  | –  |
| 15 | 14 | 13 | 12 | 11 | 10 | 9  | 8  |
| CD |    |    |    |    |    |    |    |
| 7  | 6  | 5  | 4  | 3  | 2  | 1  | 0  |
| CD |    |    |    |    |    |    |    |

- CD: Clock Divisor

| CD         | Baud Rate Clock        |
|------------|------------------------|
| 0          | Disabled               |
| 1          | MCK                    |
| 2 to 65535 | $MCK / (CD \times 16)$ |

## 27.5.10 Debug Unit Chip ID Register

**Name:** DBGU\_CIDR

**Access Type:** Read-only

|         |        |    |         |         |    |    |    |
|---------|--------|----|---------|---------|----|----|----|
| 31      | 30     | 29 | 28      | 27      | 26 | 25 | 24 |
| EXT     | NVPTYP |    |         | ARCH    |    |    |    |
| 23      | 22     | 21 | 20      | 19      | 18 | 17 | 16 |
| ARCH    |        |    |         | SRAMSIZ |    |    |    |
| 15      | 14     | 13 | 12      | 11      | 10 | 9  | 8  |
| NVPSIZ2 |        |    |         | NVPSIZ  |    |    |    |
| 7       | 6      | 5  | 4       | 3       | 2  | 1  | 0  |
| EPROC   |        |    | VERSION |         |    |    |    |

- **VERSION:** Version of the Device
- **EPROC:** Embedded Processor

| EPROC |   |   | Processor   |
|-------|---|---|-------------|
| 0     | 0 | 1 | ARM946E-S™  |
| 0     | 1 | 0 | ARM7TDMI    |
| 1     | 0 | 0 | ARM920T™    |
| 1     | 0 | 1 | ARM926EJ-S™ |

- **NVPSIZ:** Nonvolatile Program Memory Size

| NVPSIZ |   |   |   | Size        |
|--------|---|---|---|-------------|
| 0      | 0 | 0 | 0 | None        |
| 0      | 0 | 0 | 1 | 8K bytes    |
| 0      | 0 | 1 | 0 | 16K bytes   |
| 0      | 0 | 1 | 1 | 32K bytes   |
| 0      | 1 | 0 | 0 | Reserved    |
| 0      | 1 | 0 | 1 | 64K bytes   |
| 0      | 1 | 1 | 0 | Reserved    |
| 0      | 1 | 1 | 1 | 128K bytes  |
| 1      | 0 | 0 | 0 | Reserved    |
| 1      | 0 | 0 | 1 | 256K bytes  |
| 1      | 0 | 1 | 0 | 512K bytes  |
| 1      | 0 | 1 | 1 | Reserved    |
| 1      | 1 | 0 | 0 | 1024K bytes |
| 1      | 1 | 0 | 1 | Reserved    |
| 1      | 1 | 1 | 0 | 2048K bytes |
| 1      | 1 | 1 | 1 | Reserved    |



• **NVPSIZ2 Second Nonvolatile Program Memory Size**

| NVPSIZ2 |   |   |   | Size        |
|---------|---|---|---|-------------|
| 0       | 0 | 0 | 0 | None        |
| 0       | 0 | 0 | 1 | 8K bytes    |
| 0       | 0 | 1 | 0 | 16K bytes   |
| 0       | 0 | 1 | 1 | 32K bytes   |
| 0       | 1 | 0 | 0 | Reserved    |
| 0       | 1 | 0 | 1 | 64K bytes   |
| 0       | 1 | 1 | 0 | Reserved    |
| 0       | 1 | 1 | 1 | 128K bytes  |
| 1       | 0 | 0 | 0 | Reserved    |
| 1       | 0 | 0 | 1 | 256K bytes  |
| 1       | 0 | 1 | 0 | 512K bytes  |
| 1       | 0 | 1 | 1 | Reserved    |
| 1       | 1 | 0 | 0 | 1024K bytes |
| 1       | 1 | 0 | 1 | Reserved    |
| 1       | 1 | 1 | 0 | 2048K bytes |
| 1       | 1 | 1 | 1 | Reserved    |

• **SRAMSIZ: Internal SRAM Size**

| SRAMSIZ |   |   |   | Size       |
|---------|---|---|---|------------|
| 0       | 0 | 0 | 0 | Reserved   |
| 0       | 0 | 0 | 1 | 1K bytes   |
| 0       | 0 | 1 | 0 | 2K bytes   |
| 0       | 0 | 1 | 1 | Reserved   |
| 0       | 1 | 0 | 0 | 112K bytes |
| 0       | 1 | 0 | 1 | 4K bytes   |
| 0       | 1 | 1 | 0 | 80K bytes  |
| 0       | 1 | 1 | 1 | 160K bytes |
| 1       | 0 | 0 | 0 | 8K bytes   |
| 1       | 0 | 0 | 1 | 16K bytes  |
| 1       | 0 | 1 | 0 | 32K bytes  |
| 1       | 0 | 1 | 1 | 64K bytes  |
| 1       | 1 | 0 | 0 | 128K bytes |
| 1       | 1 | 0 | 1 | 256K bytes |
| 1       | 1 | 1 | 0 | 96K bytes  |
| 1       | 1 | 1 | 1 | 512K bytes |

- **ARCH: Architecture Identifier**

| ARCH |           | Architecture        |
|------|-----------|---------------------|
| Hex  | Bin       |                     |
| 0xF0 | 1111 0001 | AT75Cxx Series      |
| 0x40 | 0100 0000 | AT91x40 Series      |
| 0x63 | 0110 0011 | AT91x63 Series      |
| 0x55 | 0101 0101 | AT91x55 Series      |
| 0x42 | 0100 0010 | AT91x42 Series      |
| 0x92 | 1001 0010 | AT91x92 Series      |
| 0x34 | 0011 0100 | AT91x34 Series      |
| 0x60 | 0101 0000 | AT91SAM7Axx Series  |
| 0x70 | 0111 0000 | AT91SAM7Sxx Series  |
| 0x71 | 0111 0001 | AT91SAM7XCxx Series |
| 0x72 | 0111 0010 | AT91SAM7SExx Series |
| 0x73 | 0111 0011 | AT91SAM7Lxx Series  |
| 0x75 | 0111 0101 | AT91SAM7Xxx Series  |
| 0x19 | 0001 1001 | AT91SAM9xx Series   |

- **NVPTYP: Nonvolatile Program Memory Type**

| NVPTYP |   |   | Memory   |
|--------|---|---|--|
| 0      | 0 | 0 | ROM  |
| 0      | 0 | 1 | ROMless or on-chip Flash   |
| 1      | 0 | 0 | SRAM emulating ROM   |
| 0      | 1 | 0 | Embedded Flash Memory  |
| 0      | 1 | 1 | ROM and Embedded Flash Memory<br>NVPSIZ is ROM size<br>NVPSIZ2 is Flash size |

- **EXT: Extension Flag**

0 = Chip ID has a single register definition without extension

1 = An extended Chip ID exists.



### 27.5.11 Debug Unit Chip ID Extension Register

Name: DBGU\_EXID

Access Type: Read-only

|      |    |    |    |    |    |    |    |
|------|----|----|----|----|----|----|----|
| 31   | 30 | 29 | 28 | 27 | 26 | 25 | 24 |
| EXID |    |    |    |    |    |    |    |
| 23   | 22 | 21 | 20 | 19 | 18 | 17 | 16 |
| EXID |    |    |    |    |    |    |    |
| 15   | 14 | 13 | 12 | 11 | 10 | 9  | 8  |
| EXID |    |    |    |    |    |    |    |
| 7    | 6  | 5  | 4  | 3  | 2  | 1  | 0  |
| EXID |    |    |    |    |    |    |    |

- **EXID: Chip ID Extension**

Reads 0 if the bit EXT in DBGU\_CIDR is 0.

### 27.5.12 Debug Unit Force NTRST Register

Name: DBGU\_FNR

Access Type: Read/Write

|    |    |    |    |    |    |    |        |
|----|----|----|----|----|----|----|--------|
| 31 | 30 | 29 | 28 | 27 | 26 | 25 | 24     |
| –  | –  | –  | –  | –  | –  | –  | –      |
| 23 | 22 | 21 | 20 | 19 | 18 | 17 | 16     |
| –  | –  | –  | –  | –  | –  | –  | –      |
| 15 | 14 | 13 | 12 | 11 | 10 | 9  | 8      |
| –  | –  | –  | –  | –  | –  | –  | –      |
| 7  | 6  | 5  | 4  | 3  | 2  | 1  | 0      |
| –  | –  | –  | –  | –  | –  | –  | FNTRST |

- **FNTRST: Force NTRST**

0 = NTRST of the ARM processor's TAP controller is driven by the ice\_nreset signal.

1 = NTRST of the ARM processor's TAP controller is held low.



## 28. Parallel Input/Output Controller (PIO)

### 28.1 Overview

The Parallel Input/Output Controller (PIO) manages up to 32 fully programmable input/output lines. Each I/O line may be dedicated as a general-purpose I/O or be assigned to a function of an embedded peripheral. This assures effective optimization of the pins of a product.

Each I/O line is associated with a bit number in all of the 32-bit registers of the 32-bit wide User Interface.

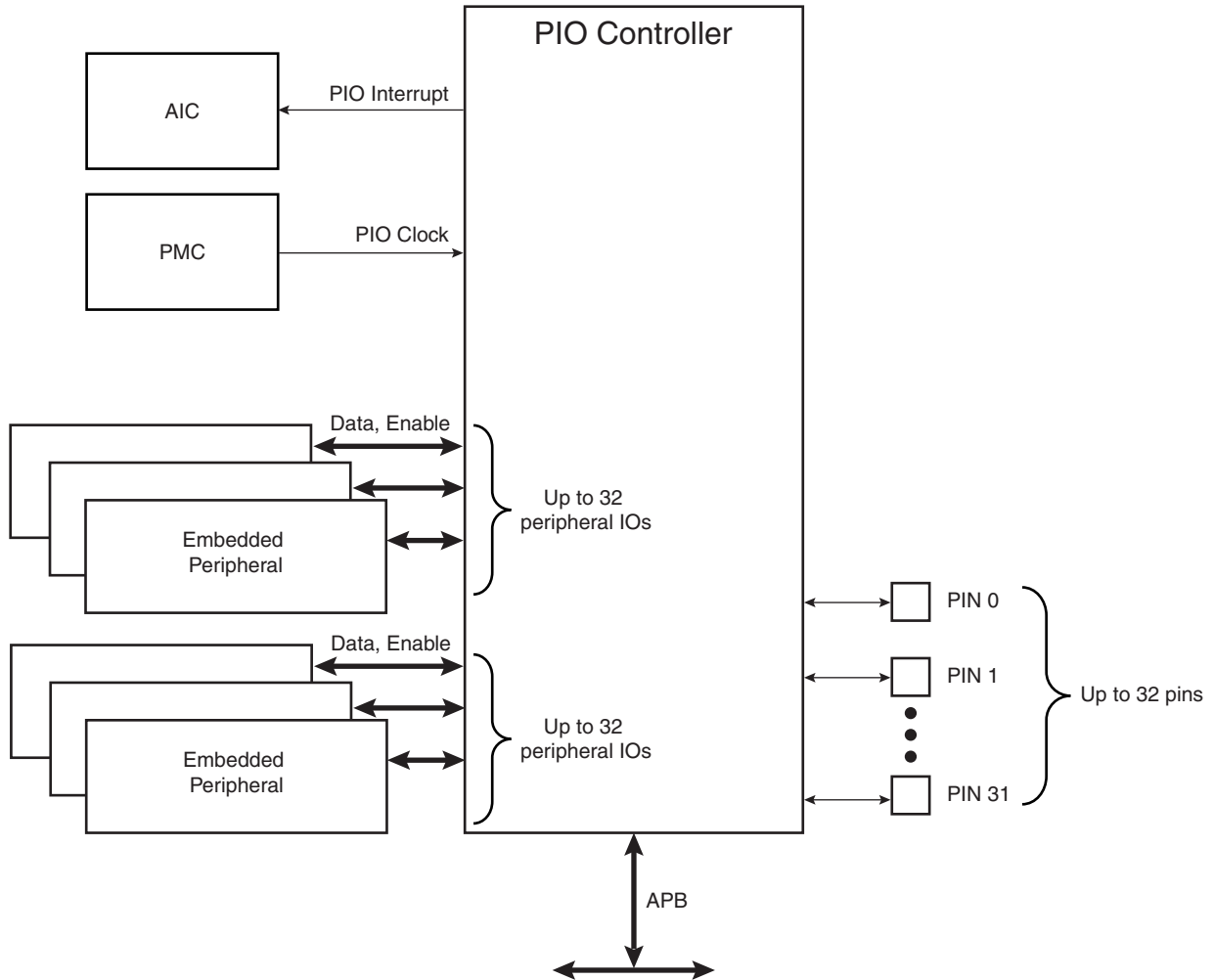
Each I/O line of the PIO Controller features:

- An input change interrupt enabling level change detection on any I/O line.
- A glitch filter providing rejection of pulses lower than one-half of clock cycle.
- Multi-drive capability similar to an open drain I/O line.
- Control of the the pull-up of the I/O line.
- Input visibility and output control.

The PIO Controller also features a synchronous output providing up to 32 bits of data output in a single write operation.

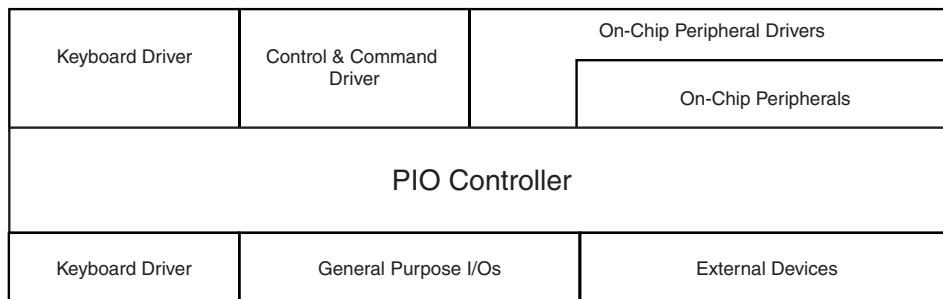
## 28.2 Block Diagram

Figure 28-1. Block Diagram



## 28.3 Application Block Diagram

Figure 28-2. Application Block Diagram



## 28.4 Product Dependencies

### 28.4.1 Pin Multiplexing

Each pin is configurable, according to product definition as either a general-purpose I/O line only, or as an I/O line multiplexed with one or two peripheral I/Os. As the multiplexing is hardware-defined and thus product-dependent, the hardware designer and programmer must carefully determine the configuration of the PIO controllers required by their application. When an I/O line is general-purpose only, i.e. not multiplexed with any peripheral I/O, programming of the PIO Controller regarding the assignment to a peripheral has no effect and only the PIO Controller can control how the pin is driven by the product.

### 28.4.2 External Interrupt Lines

The interrupt signals FIQ and IRQ0 to IRQn are most generally multiplexed through the PIO Controllers. However, it is not necessary to assign the I/O line to the interrupt function as the PIO Controller has no effect on inputs and the interrupt lines (FIQ or IRQs) are used only as inputs.

### 28.4.3 Power Management

The Power Management Controller controls the PIO Controller clock in order to save power. Writing any of the registers of the user interface does not require the PIO Controller clock to be enabled. This means that the configuration of the I/O lines does not require the PIO Controller clock to be enabled.

However, when the clock is disabled, not all of the features of the PIO Controller are available. Note that the Input Change Interrupt and the read of the pin level require the clock to be validated.

After a hardware reset, the PIO clock is disabled by default.

The user must configure the Power Management Controller before any access to the input line information.

### 28.4.4 Interrupt Generation

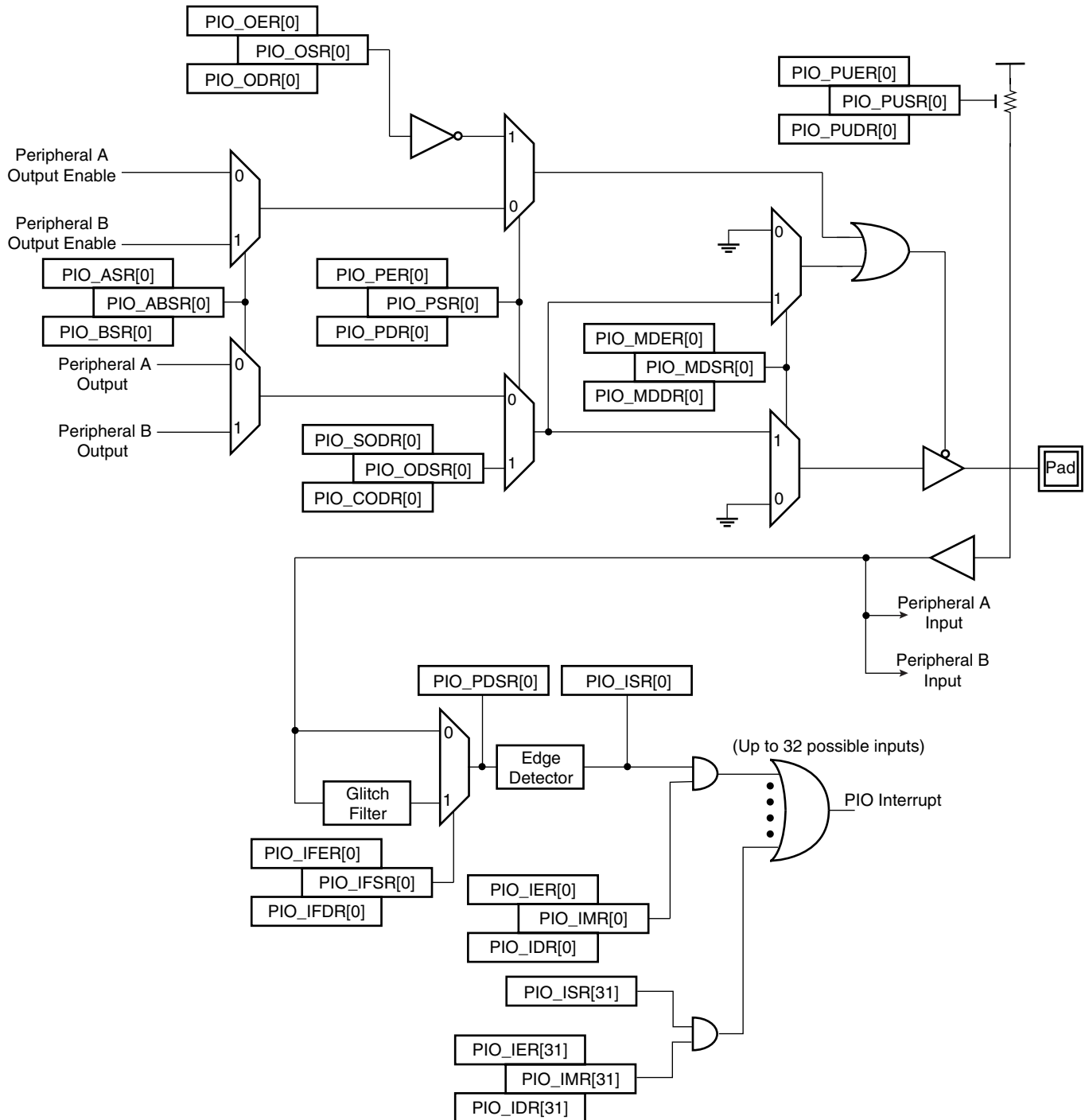
For interrupt handling, the PIO Controllers are considered as user peripherals. This means that the PIO Controller interrupt lines are connected among the interrupt sources 2 to 31. Refer to the PIO Controller peripheral identifier in the product description to identify the interrupt sources dedicated to the PIO Controllers.

The PIO Controller interrupt can be generated only if the PIO Controller clock is enabled.

## 28.5 Functional Description

The PIO Controller features up to 32 fully-programmable I/O lines. Most of the control logic associated to each I/O is represented in [Figure 28-3](#). In this description each signal shown represents but one of up to 32 possible indexes.

**Figure 28-3.** I/O Line Control Logic



## 28.5.1 Pull-up Resistor Control

Each I/O line is designed with an embedded pull-up resistor. The value of this resistor is about 10 k $\Omega$  (see the product electrical characteristics for more details about this value). The pull-up resistor can be enabled or disabled by writing respectively PIO\_PUER (Pull-up Enable Register) and PIO\_PUDR (Pull-up Disable Resistor). Writing in these registers results in setting or clearing the corresponding bit in PIO\_PUSR (Pull-up Status Register). Reading a 1 in PIO\_PUSR means the pull-up is disabled and reading a 0 means the pull-up is enabled.

Control of the pull-up resistor is possible regardless of the configuration of the I/O line.

After reset, all of the pull-ups are enabled, i.e. PIO\_PUSR resets at the value 0x0.

## 28.5.2 I/O Line or Peripheral Function Selection

When a pin is multiplexed with one or two peripheral functions, the selection is controlled with the registers PIO\_PER (PIO Enable Register) and PIO\_PDR (PIO Disable Register). The register PIO\_PSR (PIO Status Register) is the result of the set and clear registers and indicates whether the pin is controlled by the corresponding peripheral or by the PIO Controller. A value of 0 indicates that the pin is controlled by the corresponding on-chip peripheral selected in the PIO\_ABSR (AB Select Status Register). A value of 1 indicates the pin is controlled by the PIO controller.

If a pin is used as a general purpose I/O line (not multiplexed with an on-chip peripheral), PIO\_PER and PIO\_PDR have no effect and PIO\_PSR returns 1 for the corresponding bit.

After reset, most generally, the I/O lines are controlled by the PIO controller, i.e. PIO\_PSR resets at 1. However, in some events, it is important that PIO lines are controlled by the peripheral (as in the case of memory chip select lines that must be driven inactive after reset or for address lines that must be driven low for booting out of an external memory). Thus, the reset value of PIO\_PSR is defined at the product level, depending on the multiplexing of the device.

## 28.5.3 Peripheral A or B Selection

The PIO Controller provides multiplexing of up to two peripheral functions on a single pin. The selection is performed by writing PIO\_ASR (A Select Register) and PIO\_BSR (Select B Register). PIO\_ABSR (AB Select Status Register) indicates which peripheral line is currently selected. For each pin, the corresponding bit at level 0 means peripheral A is selected whereas the corresponding bit at level 1 indicates that peripheral B is selected.

Note that multiplexing of peripheral lines A and B only affects the output line. The peripheral input lines are always connected to the pin input.

After reset, PIO\_ABSR is 0, thus indicating that all the PIO lines are configured on peripheral A. However, peripheral A generally does not drive the pin as the PIO Controller resets in I/O line mode.

Writing in PIO\_ASR and PIO\_BSR manages PIO\_ABSR regardless of the configuration of the pin. However, assignment of a pin to a peripheral function requires a write in the corresponding peripheral selection register (PIO\_ASR or PIO\_BSR) in addition to a write in PIO\_PDR.

## 28.5.4 Output Control

When the I/O line is assigned to a peripheral function, i.e. the corresponding bit in PIO\_PSR is at 0, the drive of the I/O line is controlled by the peripheral. Peripheral A or B, depending on the value in PIO\_ABSR, determines whether the pin is driven or not.

When the I/O line is controlled by the PIO controller, the pin can be configured to be driven. This is done by writing PIO\_OER (Output Enable Register) and PIO\_ODR (Output Disable Register). The results of these write operations are detected in PIO\_OSR (Output Status Register). When a bit in this register is at 0, the corresponding I/O line is used as an input only. When the bit is at 1, the corresponding I/O line is driven by the PIO controller.

The level driven on an I/O line can be determined by writing in PIO\_SODR (Set Output Data Register) and PIO\_CODR (Clear Output Data Register). These write operations respectively set and clear PIO\_ODSR (Output Data Status Register), which represents the data driven on the I/O lines. Writing in PIO\_OER and PIO\_ODR manages PIO\_OSR whether the pin is configured to be controlled by the PIO controller or assigned to a peripheral function. This enables configuration of the I/O line prior to setting it to be managed by the PIO Controller.

Similarly, writing in PIO\_SODR and PIO\_CODR effects PIO\_ODSR. This is important as it defines the first level driven on the I/O line.

### 28.5.5 Synchronous Data Output

Controlling all parallel busses using several PIOs requires two successive write operations in the PIO\_SODR and PIO\_CODR registers. This may lead to unexpected transient values. The PIO controller offers a direct control of PIO outputs by single write access to PIO\_ODSR (Output Data Status Register). Only bits unmasked by PIO\_OSWSR (Output Write Status Register) are written. The mask bits in the PIO\_OWSR are set by writing to PIO\_OWER (Output Write Enable Register) and cleared by writing to PIO\_OWDR (Output Write Disable Register).

After reset, the synchronous data output is disabled on all the I/O lines as PIO\_OWSR resets at 0x0.

### 28.5.6 Multi Drive Control (Open Drain)

Each I/O can be independently programmed in Open Drain by using the Multi Drive feature. This feature permits several drivers to be connected on the I/O line which is driven low only by each device. An external pull-up resistor (or enabling of the internal one) is generally required to guarantee a high level on the line.

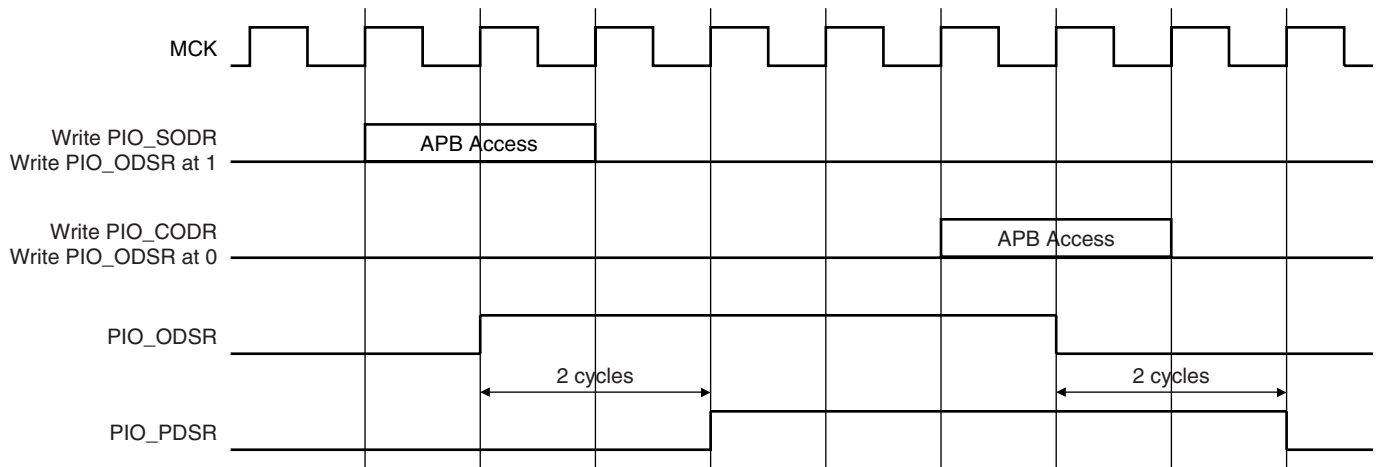
The Multi Drive feature is controlled by PIO\_MDER (Multi-driver Enable Register) and PIO\_MDDR (Multi-driver Disable Register). The Multi Drive can be selected whether the I/O line is controlled by the PIO controller or assigned to a peripheral function. PIO\_MDSR (Multi-driver Status Register) indicates the pins that are configured to support external drivers.

After reset, the Multi Drive feature is disabled on all pins, i.e. PIO\_MDSR resets at value 0x0.

### 28.5.7 Output Line Timings

Figure 28-4 shows how the outputs are driven either by writing PIO\_SODR or PIO\_CODR, or by directly writing PIO\_ODSR. This last case is valid only if the corresponding bit in PIO\_OWSR is set. Figure 28-4 also shows when the feedback in PIO\_PDSR is available.

**Figure 28-4. Output Line Timings**



## 28.5.8 Inputs

The level on each I/O line can be read through PIO\_PDSR (Pin Data Status Register). This register indicates the level of the I/O lines regardless of their configuration, whether uniquely as an input or driven by the PIO controller or driven by a peripheral.

Reading the I/O line levels requires the clock of the PIO controller to be enabled, otherwise PIO\_PDSR reads the levels present on the I/O line at the time the clock was disabled.

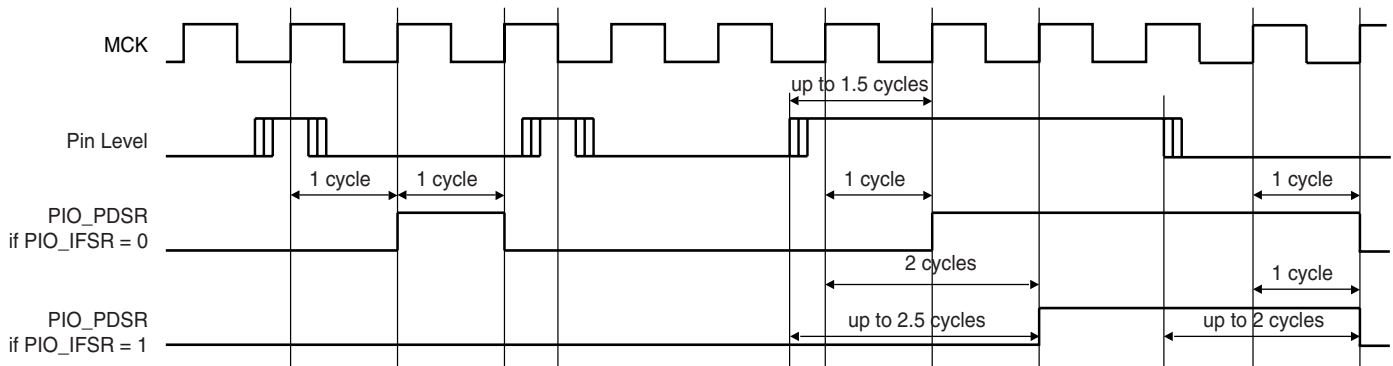
## 28.5.9 Input Glitch Filtering

Optional input glitch filters are independently programmable on each I/O line. When the glitch filter is enabled, a glitch with a duration of less than 1/2 Master Clock (MCK) cycle is automatically rejected, while a pulse with a duration of 1 Master Clock cycle or more is accepted. For pulse durations between 1/2 Master Clock cycle and 1 Master Clock cycle the pulse may or may not be taken into account, depending on the precise timing of its occurrence. Thus for a pulse to be visible it must exceed 1 Master Clock cycle, whereas for a glitch to be reliably filtered out, its duration must not exceed 1/2 Master Clock cycle. The filter introduces one Master Clock cycle latency if the pin level change occurs before a rising edge. However, this latency does not appear if the pin level change occurs before a falling edge. This is illustrated in [Figure 28-5](#).

The glitch filters are controlled by the register set; PIO\_IFER (Input Filter Enable Register), PIO\_IFDR (Input Filter Disable Register) and PIO\_IFSR (Input Filter Status Register). Writing PIO\_IFER and PIO\_IFDR respectively sets and clears bits in PIO\_IFSR. This last register enables the glitch filter on the I/O lines.

When the glitch filter is enabled, it does not modify the behavior of the inputs on the peripherals. It acts only on the value read in PIO\_PDSR and on the input change interrupt detection. The glitch filters require that the PIO Controller clock is enabled.

**Figure 28-5.** Input Glitch Filter Timing



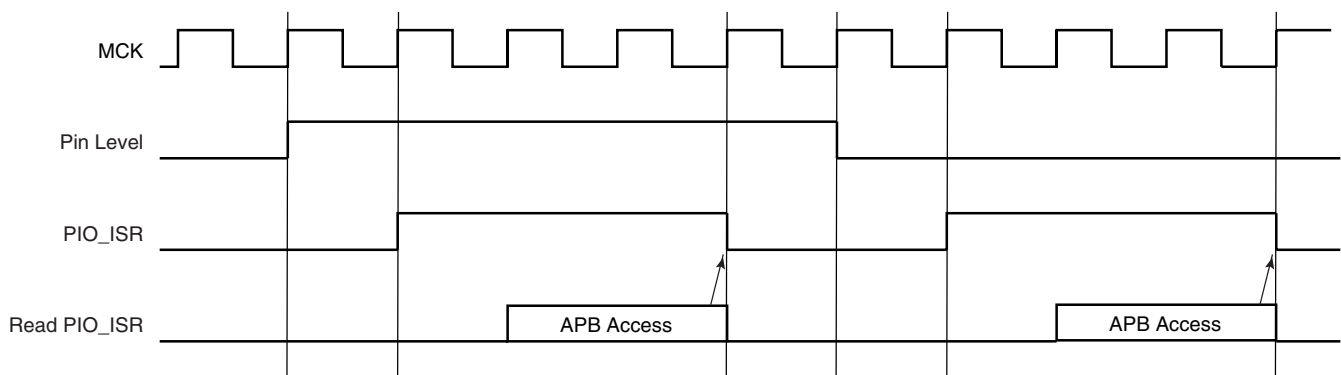
### 28.5.10 Input Change Interrupt

The PIO Controller can be programmed to generate an interrupt when it detects an input change on an I/O line. The Input Change Interrupt is controlled by writing PIO\_IER (Interrupt Enable Register) and PIO\_IDR (Interrupt Disable Register), which respectively enable and disable the input change interrupt by setting and clearing the corresponding bit in PIO\_IMR (Interrupt Mask Register). As Input change detection is possible only by comparing two successive samplings of the input of the I/O line, the PIO Controller clock must be enabled. The Input Change Interrupt is available, regardless of the configuration of the I/O line, i.e. configured as an input only, controlled by the PIO Controller or assigned to a peripheral function.

When an input change is detected on an I/O line, the corresponding bit in PIO\_ISR (Interrupt Status Register) is set. If the corresponding bit in PIO\_IMR is set, the PIO Controller interrupt line is asserted. The interrupt signals of the thirty-two channels are ORed-wired together to generate a single interrupt signal to the Advanced Interrupt Controller.

When the software reads PIO\_ISR, all the interrupts are automatically cleared. This signifies that all the interrupts that are pending when PIO\_ISR is read must be handled.

**Figure 28-6.** Input Change Interrupt Timings





## 28.6 I/O Lines Programming Example

The programming example as shown in [Table 28-1](#) below is used to define the following configuration.

- 4-bit output port on I/O lines 0 to 3, (should be written in a single write operation), open-drain, with pull-up resistor
- Four output signals on I/O lines 4 to 7 (to drive LEDs for example), driven high and low, no pull-up resistor
- Four input signals on I/O lines 8 to 11 (to read push-button states for example), with pull-up resistors, glitch filters and input change interrupts
- Four input signals on I/O line 12 to 15 to read an external device status (polled, thus no input change interrupt), no pull-up resistor, no glitch filter
- I/O lines 16 to 19 assigned to peripheral A functions with pull-up resistor
- I/O lines 20 to 23 assigned to peripheral B functions, no pull-up resistor
- I/O line 24 to 27 assigned to peripheral A with Input Change Interrupt and pull-up resistor

**Table 28-1.** Programming Example

| Register | Value to be Written |
|----------|---------------------|
| PIO_PER  | 0x0000 FFFF         |
| PIO_PDR  | 0x0FFF 0000         |
| PIO_OER  | 0x0000 00FF         |
| PIO_ODR  | 0x0FFF FF00         |
| PIO_IFER | 0x0000 0F00         |
| PIO_IFDR | 0x0FFF F0FF         |
| PIO_SODR | 0x0000 0000         |
| PIO_CODR | 0x0FFF FFFF         |
| PIO_IER  | 0x0F00 0F00         |
| PIO_IDR  | 0x00FF F0FF         |
| PIO_MDER | 0x0000 000F         |
| PIO_MDDR | 0x0FFF FFF0         |
| PIO_PUDR | 0x00F0 00F0         |
| PIO_PUER | 0x0F0F FF0F         |
| PIO_ASR  | 0x0F0F 0000         |
| PIO_BSR  | 0x00F0 0000         |
| PIO_OWER | 0x0000 000F         |
| PIO_OWDR | 0x0FFF FFF0         |

## 28.7 Parallel Input/Output Controller (PIO) User Interface

Each I/O line controlled by the PIO Controller is associated with a bit in each of the PIO Controller User Interface registers. Each register is 32 bits wide. If a parallel I/O line is not defined, writing to the corresponding bits has no effect. Undefined bits read zero. If the I/O line is not multiplexed with any peripheral, the I/O line is controlled by the PIO Controller and PIO\_PSR returns 1 systematically.

**Table 28-2.** Parallel Input/Output Controller (PIO) Register Mapping

| Offset | Register                                   | Name     | Access     | Reset Value |
|--------|--|----------|------------|-------------|
| 0x0000 | PIO Enable Register                        | PIO_PER  | Write-only | –           |
| 0x0004 | PIO Disable Register                       | PIO_PDR  | Write-only | –           |
| 0x0008 | PIO Status Register <sup>(1)</sup>         | PIO_PSR  | Read-only  | 0x0000 0000 |
| 0x000C | Reserved                                   |          |            |             |
| 0x0010 | Output Enable Register                     | PIO_OER  | Write-only | –           |
| 0x0014 | Output Disable Register                    | PIO_ODR  | Write-only | –           |
| 0x0018 | Output Status Register                     | PIO_OSR  | Read-only  | 0x0000 0000 |
| 0x001C | Reserved                                   |          |            |             |
| 0x0020 | Glitch Input Filter Enable Register        | PIO_IFER | Write-only | –           |
| 0x0024 | Glitch Input Filter Disable Register       | PIO_IFDR | Write-only | –           |
| 0x0028 | Glitch Input Filter Status Register        | PIO_IFSR | Read-only  | 0x0000 0000 |
| 0x002C | Reserved                                   |          |            |             |
| 0x0030 | Set Output Data Register                   | PIO_SODR | Write-only | –           |
| 0x0034 | Clear Output Data Register                 | PIO_CODR | Write-only | –           |
| 0x0038 | Output Data Status Register <sup>(2)</sup> | PIO_ODSR | Read-only  | 0x0000 0000 |
| 0x003C | Pin Data Status Register <sup>(3)</sup>    | PIO_PDSR | Read-only  |             |
| 0x0040 | Interrupt Enable Register                  | PIO_IER  | Write-only | –           |
| 0x0044 | Interrupt Disable Register                 | PIO_IDR  | Write-only | –           |
| 0x0048 | Interrupt Mask Register                    | PIO_IMR  | Read-only  | 0x00000000  |
| 0x004C | Interrupt Status Register <sup>(4)</sup>   | PIO_ISR  | Read-only  | 0x00000000  |
| 0x0050 | Multi-driver Enable Register               | PIO_MDER | Write-only | –           |
| 0x0054 | Multi-driver Disable Register              | PIO_MDDR | Write-only | –           |
| 0x0058 | Multi-driver Status Register               | PIO_MDSR | Read-only  | 0x00000000  |
| 0x005C | Reserved                                   |          |            |             |
| 0x0060 | Pull-up Disable Register                   | PIO_PUDR | Write-only | –           |
| 0x0064 | Pull-up Enable Register                    | PIO_PUER | Write-only | –           |
| 0x0068 | Pad Pull-up Status Register                | PIO_PUSR | Read-only  | 0x00000000  |
| 0x006C | Reserved                                   |          |            |             |

**Table 28-2.** Parallel Input/Output Controller (PIO) Register Mapping (Continued)

| Offset          | Register                                    | Name     | Access     | Reset Value |
|-----------------|---|----------|------------|-------------|
| 0x0070          | Peripheral A Select Register <sup>(5)</sup> | PIO_ASR  | Write-only | –           |
| 0x0074          | Peripheral B Select Register <sup>(5)</sup> | PIO_BSR  | Write-only | –           |
| 0x0078          | AB Status Register <sup>(5)</sup>           | PIO_ABSR | Read-only  | 0x00000000  |
| 0x007C - 0x009C | Reserved                                    |          |            |             |
| 0x00A0          | Output Write Enable                         | PIO_OWER | Write-only | –           |
| 0x00A4          | Output Write Disable                        | PIO_OWDR | Write-only | –           |
| 0x00A8          | Output Write Status Register                | PIO_OWSR | Read-only  | 0x00000000  |
| 0x00AC - 0x00FC | Reserved                                    |          |            |             |

- Notes:
1. Reset value of PIO\_PSR depends on the product implementation.
  2. PIO\_ODSR is Read-only or Read/Write depending on PIO\_OWSR I/O lines.
  3. Reset value of PIO\_PDSR depends on the level of the I/O lines.
  4. PIO\_ISR is reset at 0x0. However, the first read of the register may read a different value as input changes may have occurred.
  5. Only this set of registers clears the status by writing 1 in the first register and sets the status by writing 1 in the second register.



### 28.7.1 PIO Controller PIO Enable Register

Name: PIO\_PER

Access Type: Write-only

|     |     |     |     |     |     |     |     |
|-----|-----|-----|-----|-----|-----|-----|-----|
| 31  | 30  | 29  | 28  | 27  | 26  | 25  | 24  |
| P31 | P30 | P29 | P28 | P27 | P26 | P25 | P24 |
| 23  | 22  | 21  | 20  | 19  | 18  | 17  | 16  |
| P23 | P22 | P21 | P20 | P19 | P18 | P17 | P16 |
| 15  | 14  | 13  | 12  | 11  | 10  | 9   | 8   |
| P15 | P14 | P13 | P12 | P11 | P10 | P9  | P8  |
| 7   | 6   | 5   | 4   | 3   | 2   | 1   | 0   |
| P7  | P6  | P5  | P4  | P3  | P2  | P1  | P0  |

- P0-P31: PIO Enable

0 = No effect.

1 = Enables the PIO to control the corresponding pin (disables peripheral control of the pin).

### 28.7.2 PIO Controller PIO Disable Register

Name: PIO\_PDR

Access Type: Write-only

|     |     |     |     |     |     |     |     |
|-----|-----|-----|-----|-----|-----|-----|-----|
| 31  | 30  | 29  | 28  | 27  | 26  | 25  | 24  |
| P31 | P30 | P29 | P28 | P27 | P26 | P25 | P24 |
| 23  | 22  | 21  | 20  | 19  | 18  | 17  | 16  |
| P23 | P22 | P21 | P20 | P19 | P18 | P17 | P16 |
| 15  | 14  | 13  | 12  | 11  | 10  | 9   | 8   |
| P15 | P14 | P13 | P12 | P11 | P10 | P9  | P8  |
| 7   | 6   | 5   | 4   | 3   | 2   | 1   | 0   |
| P7  | P6  | P5  | P4  | P3  | P2  | P1  | P0  |

- P0-P31: PIO Disable

0 = No effect.

1 = Disables the PIO from controlling the corresponding pin (enables peripheral control of the pin).

## 28.7.3 PIO Controller PIO Status Register

**Name:** PIO\_PSR

**Access Type:** Read-only

|     |     |     |     |     |     |     |     |
|-----|-----|-----|-----|-----|-----|-----|-----|
| 31  | 30  | 29  | 28  | 27  | 26  | 25  | 24  |
| P31 | P30 | P29 | P28 | P27 | P26 | P25 | P24 |
| 23  | 22  | 21  | 20  | 19  | 18  | 17  | 16  |
| P23 | P22 | P21 | P20 | P19 | P18 | P17 | P16 |
| 15  | 14  | 13  | 12  | 11  | 10  | 9   | 8   |
| P15 | P14 | P13 | P12 | P11 | P10 | P9  | P8  |
| 7   | 6   | 5   | 4   | 3   | 2   | 1   | 0   |
| P7  | P6  | P5  | P4  | P3  | P2  | P1  | P0  |

- **P0-P31: PIO Status**

0 = PIO is inactive on the corresponding I/O line (peripheral is active).

1 = PIO is active on the corresponding I/O line (peripheral is inactive).

## 28.7.4 PIO Controller Output Enable Register

**Name:** PIO\_OER

**Access Type:** Write-only

|     |     |     |     |     |     |     |     |
|-----|-----|-----|-----|-----|-----|-----|-----|
| 31  | 30  | 29  | 28  | 27  | 26  | 25  | 24  |
| P31 | P30 | P29 | P28 | P27 | P26 | P25 | P24 |
| 23  | 22  | 21  | 20  | 19  | 18  | 17  | 16  |
| P23 | P22 | P21 | P20 | P19 | P18 | P17 | P16 |
| 15  | 14  | 13  | 12  | 11  | 10  | 9   | 8   |
| P15 | P14 | P13 | P12 | P11 | P10 | P9  | P8  |
| 7   | 6   | 5   | 4   | 3   | 2   | 1   | 0   |
| P7  | P6  | P5  | P4  | P3  | P2  | P1  | P0  |

- **P0-P31: Output Enable**

0 = No effect.

1 = Enables the output on the I/O line.

### 28.7.5 PIO Controller Output Disable Register

**Name:** PIO\_ODR

**Access Type:** Write-only

|     |     |     |     |     |     |     |     |
|-----|-----|-----|-----|-----|-----|-----|-----|
| 31  | 30  | 29  | 28  | 27  | 26  | 25  | 24  |
| P31 | P30 | P29 | P28 | P27 | P26 | P25 | P24 |
| 23  | 22  | 21  | 20  | 19  | 18  | 17  | 16  |
| P23 | P22 | P21 | P20 | P19 | P18 | P17 | P16 |
| 15  | 14  | 13  | 12  | 11  | 10  | 9   | 8   |
| P15 | P14 | P13 | P12 | P11 | P10 | P9  | P8  |
| 7   | 6   | 5   | 4   | 3   | 2   | 1   | 0   |
| P7  | P6  | P5  | P4  | P3  | P2  | P1  | P0  |

- **P0-P31: Output Disable**

0 = No effect.

1 = Disables the output on the I/O line.

### 28.7.6 PIO Controller Output Status Register

**Name:** PIO\_OSR

**Access Type:** Read-only

|     |     |     |     |     |     |     |     |
|-----|-----|-----|-----|-----|-----|-----|-----|
| 31  | 30  | 29  | 28  | 27  | 26  | 25  | 24  |
| P31 | P30 | P29 | P28 | P27 | P26 | P25 | P24 |
| 23  | 22  | 21  | 20  | 19  | 18  | 17  | 16  |
| P23 | P22 | P21 | P20 | P19 | P18 | P17 | P16 |
| 15  | 14  | 13  | 12  | 11  | 10  | 9   | 8   |
| P15 | P14 | P13 | P12 | P11 | P10 | P9  | P8  |
| 7   | 6   | 5   | 4   | 3   | 2   | 1   | 0   |
| P7  | P6  | P5  | P4  | P3  | P2  | P1  | P0  |

- **P0-P31: Output Status**

0 = The I/O line is a pure input.

1 = The I/O line is enabled in output.

## 28.7.7 PIO Controller Input Filter Enable Register

**Name:** PIO\_IFER

**Access Type:** Write-only

|     |     |     |     |     |     |     |     |
|-----|-----|-----|-----|-----|-----|-----|-----|
| 31  | 30  | 29  | 28  | 27  | 26  | 25  | 24  |
| P31 | P30 | P29 | P28 | P27 | P26 | P25 | P24 |
| 23  | 22  | 21  | 20  | 19  | 18  | 17  | 16  |
| P23 | P22 | P21 | P20 | P19 | P18 | P17 | P16 |
| 15  | 14  | 13  | 12  | 11  | 10  | 9   | 8   |
| P15 | P14 | P13 | P12 | P11 | P10 | P9  | P8  |
| 7   | 6   | 5   | 4   | 3   | 2   | 1   | 0   |
| P7  | P6  | P5  | P4  | P3  | P2  | P1  | P0  |

- **P0-P31: Input Filter Enable**

0 = No effect.

1 = Enables the input glitch filter on the I/O line.

## 28.7.8 PIO Controller Input Filter Disable Register

**Name:** PIO\_IFDR

**Access Type:** Write-only

|     |     |     |     |     |     |     |     |
|-----|-----|-----|-----|-----|-----|-----|-----|
| 31  | 30  | 29  | 28  | 27  | 26  | 25  | 24  |
| P31 | P30 | P29 | P28 | P27 | P26 | P25 | P24 |
| 23  | 22  | 21  | 20  | 19  | 18  | 17  | 16  |
| P23 | P22 | P21 | P20 | P19 | P18 | P17 | P16 |
| 15  | 14  | 13  | 12  | 11  | 10  | 9   | 8   |
| P15 | P14 | P13 | P12 | P11 | P10 | P9  | P8  |
| 7   | 6   | 5   | 4   | 3   | 2   | 1   | 0   |
| P7  | P6  | P5  | P4  | P3  | P2  | P1  | P0  |

- **P0-P31: Input Filter Disable**

0 = No effect.

1 = Disables the input glitch filter on the I/O line.



### 28.7.9 PIO Controller Input Filter Status Register

Name: PIO\_IFSR

Access Type: Read-only

|     |     |     |     |     |     |     |     |
|-----|-----|-----|-----|-----|-----|-----|-----|
| 31  | 30  | 29  | 28  | 27  | 26  | 25  | 24  |
| P31 | P30 | P29 | P28 | P27 | P26 | P25 | P24 |
| 23  | 22  | 21  | 20  | 19  | 18  | 17  | 16  |
| P23 | P22 | P21 | P20 | P19 | P18 | P17 | P16 |
| 15  | 14  | 13  | 12  | 11  | 10  | 9   | 8   |
| P15 | P14 | P13 | P12 | P11 | P10 | P9  | P8  |
| 7   | 6   | 5   | 4   | 3   | 2   | 1   | 0   |
| P7  | P6  | P5  | P4  | P3  | P2  | P1  | P0  |

- **P0-P31: Input Filter Status**

0 = The input glitch filter is disabled on the I/O line.

1 = The input glitch filter is enabled on the I/O line.

### 28.7.10 PIO Controller Set Output Data Register

Name: PIO\_SODR

Access Type: Write-only

|     |     |     |     |     |     |     |     |
|-----|-----|-----|-----|-----|-----|-----|-----|
| 31  | 30  | 29  | 28  | 27  | 26  | 25  | 24  |
| P31 | P30 | P29 | P28 | P27 | P26 | P25 | P24 |
| 23  | 22  | 21  | 20  | 19  | 18  | 17  | 16  |
| P23 | P22 | P21 | P20 | P19 | P18 | P17 | P16 |
| 15  | 14  | 13  | 12  | 11  | 10  | 9   | 8   |
| P15 | P14 | P13 | P12 | P11 | P10 | P9  | P8  |
| 7   | 6   | 5   | 4   | 3   | 2   | 1   | 0   |
| P7  | P6  | P5  | P4  | P3  | P2  | P1  | P0  |

- **P0-P31: Set Output Data**

0 = No effect.

1 = Sets the data to be driven on the I/O line.



## 28.7.11 PIO Controller Clear Output Data Register

**Name:** PIO\_CODR

**Access Type:** Write-only

|     |     |     |     |     |     |     |     |
|-----|-----|-----|-----|-----|-----|-----|-----|
| 31  | 30  | 29  | 28  | 27  | 26  | 25  | 24  |
| P31 | P30 | P29 | P28 | P27 | P26 | P25 | P24 |
| 23  | 22  | 21  | 20  | 19  | 18  | 17  | 16  |
| P23 | P22 | P21 | P20 | P19 | P18 | P17 | P16 |
| 15  | 14  | 13  | 12  | 11  | 10  | 9   | 8   |
| P15 | P14 | P13 | P12 | P11 | P10 | P9  | P8  |
| 7   | 6   | 5   | 4   | 3   | 2   | 1   | 0   |
| P7  | P6  | P5  | P4  | P3  | P2  | P1  | P0  |

- **P0-P31: Set Output Data**

0 = No effect.

1 = Clears the data to be driven on the I/O line.

## 28.7.12 PIO Controller Output Data Status Register

**Name:** PIO\_ODSR

**Access Type:** Read-only or Read/Write

|     |     |     |     |     |     |     |     |
|-----|-----|-----|-----|-----|-----|-----|-----|
| 31  | 30  | 29  | 28  | 27  | 26  | 25  | 24  |
| P31 | P30 | P29 | P28 | P27 | P26 | P25 | P24 |
| 23  | 22  | 21  | 20  | 19  | 18  | 17  | 16  |
| P23 | P22 | P21 | P20 | P19 | P18 | P17 | P16 |
| 15  | 14  | 13  | 12  | 11  | 10  | 9   | 8   |
| P15 | P14 | P13 | P12 | P11 | P10 | P9  | P8  |
| 7   | 6   | 5   | 4   | 3   | 2   | 1   | 0   |
| P7  | P6  | P5  | P4  | P3  | P2  | P1  | P0  |

- **P0-P31: Output Data Status**

0 = The data to be driven on the I/O line is 0.

1 = The data to be driven on the I/O line is 1.



### 28.7.13 PIO Controller Pin Data Status Register

Name: PIO\_PDSR

Access Type: Read-only

|     |     |     |     |     |     |     |     |
|-----|-----|-----|-----|-----|-----|-----|-----|
| 31  | 30  | 29  | 28  | 27  | 26  | 25  | 24  |
| P31 | P30 | P29 | P28 | P27 | P26 | P25 | P24 |
| 23  | 22  | 21  | 20  | 19  | 18  | 17  | 16  |
| P23 | P22 | P21 | P20 | P19 | P18 | P17 | P16 |
| 15  | 14  | 13  | 12  | 11  | 10  | 9   | 8   |
| P15 | P14 | P13 | P12 | P11 | P10 | P9  | P8  |
| 7   | 6   | 5   | 4   | 3   | 2   | 1   | 0   |
| P7  | P6  | P5  | P4  | P3  | P2  | P1  | P0  |

- **P0-P31: Output Data Status**

0 = The I/O line is at level 0.

1 = The I/O line is at level 1.

### 28.7.14 PIO Controller Interrupt Enable Register

Name: PIO\_IER

Access Type: Write-only

|     |     |     |     |     |     |     |     |
|-----|-----|-----|-----|-----|-----|-----|-----|
| 31  | 30  | 29  | 28  | 27  | 26  | 25  | 24  |
| P31 | P30 | P29 | P28 | P27 | P26 | P25 | P24 |
| 23  | 22  | 21  | 20  | 19  | 18  | 17  | 16  |
| P23 | P22 | P21 | P20 | P19 | P18 | P17 | P16 |
| 15  | 14  | 13  | 12  | 11  | 10  | 9   | 8   |
| P15 | P14 | P13 | P12 | P11 | P10 | P9  | P8  |
| 7   | 6   | 5   | 4   | 3   | 2   | 1   | 0   |
| P7  | P6  | P5  | P4  | P3  | P2  | P1  | P0  |

- **P0-P31: Input Change Interrupt Enable**

0 = No effect.

1 = Enables the Input Change Interrupt on the I/O line.

## 28.7.15 PIO Controller Interrupt Disable Register

**Name:** PIO\_IDR

**Access Type:** Write-only

|     |     |     |     |     |     |     |     |
|-----|-----|-----|-----|-----|-----|-----|-----|
| 31  | 30  | 29  | 28  | 27  | 26  | 25  | 24  |
| P31 | P30 | P29 | P28 | P27 | P26 | P25 | P24 |
| 23  | 22  | 21  | 20  | 19  | 18  | 17  | 16  |
| P23 | P22 | P21 | P20 | P19 | P18 | P17 | P16 |
| 15  | 14  | 13  | 12  | 11  | 10  | 9   | 8   |
| P15 | P14 | P13 | P12 | P11 | P10 | P9  | P8  |
| 7   | 6   | 5   | 4   | 3   | 2   | 1   | 0   |
| P7  | P6  | P5  | P4  | P3  | P2  | P1  | P0  |

- P0-P31: Input Change Interrupt Disable**

0 = No effect.

1 = Disables the Input Change Interrupt on the I/O line.

## 28.7.16 PIO Controller Interrupt Mask Register

**Name:** PIO\_IMR

**Access Type:** Read-only

|     |     |     |     |     |     |     |     |
|-----|-----|-----|-----|-----|-----|-----|-----|
| 31  | 30  | 29  | 28  | 27  | 26  | 25  | 24  |
| P31 | P30 | P29 | P28 | P27 | P26 | P25 | P24 |
| 23  | 22  | 21  | 20  | 19  | 18  | 17  | 16  |
| P23 | P22 | P21 | P20 | P19 | P18 | P17 | P16 |
| 15  | 14  | 13  | 12  | 11  | 10  | 9   | 8   |
| P15 | P14 | P13 | P12 | P11 | P10 | P9  | P8  |
| 7   | 6   | 5   | 4   | 3   | 2   | 1   | 0   |
| P7  | P6  | P5  | P4  | P3  | P2  | P1  | P0  |

- P0-P31: Input Change Interrupt Mask**

0 = Input Change Interrupt is disabled on the I/O line.

1 = Input Change Interrupt is enabled on the I/O line.

### 28.7.17 PIO Controller Interrupt Status Register

**Name:** PIO\_ISR

**Access Type:** Read-only

|     |     |     |     |     |     |     |     |
|-----|-----|-----|-----|-----|-----|-----|-----|
| 31  | 30  | 29  | 28  | 27  | 26  | 25  | 24  |
| P31 | P30 | P29 | P28 | P27 | P26 | P25 | P24 |
| 23  | 22  | 21  | 20  | 19  | 18  | 17  | 16  |
| P23 | P22 | P21 | P20 | P19 | P18 | P17 | P16 |
| 15  | 14  | 13  | 12  | 11  | 10  | 9   | 8   |
| P15 | P14 | P13 | P12 | P11 | P10 | P9  | P8  |
| 7   | 6   | 5   | 4   | 3   | 2   | 1   | 0   |
| P7  | P6  | P5  | P4  | P3  | P2  | P1  | P0  |

• **P0-P31: Input Change Interrupt Status**

0 = No Input Change has been detected on the I/O line since PIO\_ISR was last read or since reset.

1 = At least one Input Change has been detected on the I/O line since PIO\_ISR was last read or since reset.

### 28.7.18 PIO Multi-driver Enable Register

**Name:** PIO\_MDER

**Access Type:** Write-only

|     |     |     |     |     |     |     |     |
|-----|-----|-----|-----|-----|-----|-----|-----|
| 31  | 30  | 29  | 28  | 27  | 26  | 25  | 24  |
| P31 | P30 | P29 | P28 | P27 | P26 | P25 | P24 |
| 23  | 22  | 21  | 20  | 19  | 18  | 17  | 16  |
| P23 | P22 | P21 | P20 | P19 | P18 | P17 | P16 |
| 15  | 14  | 13  | 12  | 11  | 10  | 9   | 8   |
| P15 | P14 | P13 | P12 | P11 | P10 | P9  | P8  |
| 7   | 6   | 5   | 4   | 3   | 2   | 1   | 0   |
| P7  | P6  | P5  | P4  | P3  | P2  | P1  | P0  |

• **P0-P31: Multi Drive Enable.**

0 = No effect.

1 = Enables Multi Drive on the I/O line.

## 28.7.19 PIO Multi-driver Disable Register

**Name:** PIO\_MDDR

**Access Type:** Write-only

|     |     |     |     |     |     |     |     |
|-----|-----|-----|-----|-----|-----|-----|-----|
| 31  | 30  | 29  | 28  | 27  | 26  | 25  | 24  |
| P31 | P30 | P29 | P28 | P27 | P26 | P25 | P24 |
| 23  | 22  | 21  | 20  | 19  | 18  | 17  | 16  |
| P23 | P22 | P21 | P20 | P19 | P18 | P17 | P16 |
| 15  | 14  | 13  | 12  | 11  | 10  | 9   | 8   |
| P15 | P14 | P13 | P12 | P11 | P10 | P9  | P8  |
| 7   | 6   | 5   | 4   | 3   | 2   | 1   | 0   |
| P7  | P6  | P5  | P4  | P3  | P2  | P1  | P0  |

- **P0-P31: Multi Drive Disable.**

0 = No effect.

1 = Disables Multi Drive on the I/O line.

## 28.7.20 PIO Multi-driver Status Register

**Name:** PIO\_MDSR

**Access Type:** Read-only

|     |     |     |     |     |     |     |     |
|-----|-----|-----|-----|-----|-----|-----|-----|
| 31  | 30  | 29  | 28  | 27  | 26  | 25  | 24  |
| P31 | P30 | P29 | P28 | P27 | P26 | P25 | P24 |
| 23  | 22  | 21  | 20  | 19  | 18  | 17  | 16  |
| P23 | P22 | P21 | P20 | P19 | P18 | P17 | P16 |
| 15  | 14  | 13  | 12  | 11  | 10  | 9   | 8   |
| P15 | P14 | P13 | P12 | P11 | P10 | P9  | P8  |
| 7   | 6   | 5   | 4   | 3   | 2   | 1   | 0   |
| P7  | P6  | P5  | P4  | P3  | P2  | P1  | P0  |

- **P0-P31: Multi Drive Status.**

0 = The Multi Drive is disabled on the I/O line. The pin is driven at high and low level.

1 = The Multi Drive is enabled on the I/O line. The pin is driven at low level only.



### 28.7.21 PIO Pull Up Disable Register

Name: PIO\_PUDR

Access Type: Write-only

|     |     |     |     |     |     |     |     |
|-----|-----|-----|-----|-----|-----|-----|-----|
| 31  | 30  | 29  | 28  | 27  | 26  | 25  | 24  |
| P31 | P30 | P29 | P28 | P27 | P26 | P25 | P24 |
| 23  | 22  | 21  | 20  | 19  | 18  | 17  | 16  |
| P23 | P22 | P21 | P20 | P19 | P18 | P17 | P16 |
| 15  | 14  | 13  | 12  | 11  | 10  | 9   | 8   |
| P15 | P14 | P13 | P12 | P11 | P10 | P9  | P8  |
| 7   | 6   | 5   | 4   | 3   | 2   | 1   | 0   |
| P7  | P6  | P5  | P4  | P3  | P2  | P1  | P0  |

- **P0-P31: Pull Up Disable.**

0 = No effect.

1 = Disables the pull up resistor on the I/O line.

### 28.7.22 PIO Pull Up Enable Register

Name: PIO\_PUER

Access Type: Write-only

|     |     |     |     |     |     |     |     |
|-----|-----|-----|-----|-----|-----|-----|-----|
| 31  | 30  | 29  | 28  | 27  | 26  | 25  | 24  |
| P31 | P30 | P29 | P28 | P27 | P26 | P25 | P24 |
| 23  | 22  | 21  | 20  | 19  | 18  | 17  | 16  |
| P23 | P22 | P21 | P20 | P19 | P18 | P17 | P16 |
| 15  | 14  | 13  | 12  | 11  | 10  | 9   | 8   |
| P15 | P14 | P13 | P12 | P11 | P10 | P9  | P8  |
| 7   | 6   | 5   | 4   | 3   | 2   | 1   | 0   |
| P7  | P6  | P5  | P4  | P3  | P2  | P1  | P0  |

- **P0-P31: Pull Up Enable.**

0 = No effect.

1 = Enables the pull up resistor on the I/O line.

## 28.7.23 PIO Pull Up Status Register

**Name:** PIO\_PUSR

**Access Type:** Read-only

|     |     |     |     |     |     |     |     |
|-----|-----|-----|-----|-----|-----|-----|-----|
| 31  | 30  | 29  | 28  | 27  | 26  | 25  | 24  |
| P31 | P30 | P29 | P28 | P27 | P26 | P25 | P24 |
| 23  | 22  | 21  | 20  | 19  | 18  | 17  | 16  |
| P23 | P22 | P21 | P20 | P19 | P18 | P17 | P16 |
| 15  | 14  | 13  | 12  | 11  | 10  | 9   | 8   |
| P15 | P14 | P13 | P12 | P11 | P10 | P9  | P8  |
| 7   | 6   | 5   | 4   | 3   | 2   | 1   | 0   |
| P7  | P6  | P5  | P4  | P3  | P2  | P1  | P0  |

- **P0-P31: Pull Up Status.**

0 = Pull Up resistor is enabled on the I/O line.

1 = Pull Up resistor is disabled on the I/O line.

## 28.7.24 PIO Peripheral A Select Register

**Name:** PIO\_ASX

**Access Type:** Write-only

|     |     |     |     |     |     |     |     |
|-----|-----|-----|-----|-----|-----|-----|-----|
| 31  | 30  | 29  | 28  | 27  | 26  | 25  | 24  |
| P31 | P30 | P29 | P28 | P27 | P26 | P25 | P24 |
| 23  | 22  | 21  | 20  | 19  | 18  | 17  | 16  |
| P23 | P22 | P21 | P20 | P19 | P18 | P17 | P16 |
| 15  | 14  | 13  | 12  | 11  | 10  | 9   | 8   |
| P15 | P14 | P13 | P12 | P11 | P10 | P9  | P8  |
| 7   | 6   | 5   | 4   | 3   | 2   | 1   | 0   |
| P7  | P6  | P5  | P4  | P3  | P2  | P1  | P0  |

- **P0-P31: Peripheral A Select.**

0 = No effect.

1 = Assigns the I/O line to the Peripheral A function.



### 28.7.25 PIO Peripheral B Select Register

Name: PIO\_BSR

Access Type: Write-only

|     |     |     |     |     |     |     |     |
|-----|-----|-----|-----|-----|-----|-----|-----|
| 31  | 30  | 29  | 28  | 27  | 26  | 25  | 24  |
| P31 | P30 | P29 | P28 | P27 | P26 | P25 | P24 |
| 23  | 22  | 21  | 20  | 19  | 18  | 17  | 16  |
| P23 | P22 | P21 | P20 | P19 | P18 | P17 | P16 |
| 15  | 14  | 13  | 12  | 11  | 10  | 9   | 8   |
| P15 | P14 | P13 | P12 | P11 | P10 | P9  | P8  |
| 7   | 6   | 5   | 4   | 3   | 2   | 1   | 0   |
| P7  | P6  | P5  | P4  | P3  | P2  | P1  | P0  |

- **P0-P31: Peripheral B Select.**

0 = No effect.

1 = Assigns the I/O line to the peripheral B function.

### 28.7.26 PIO Peripheral A B Status Register

Name: PIO\_ABSR

Access Type: Read-only

|     |     |     |     |     |     |     |     |
|-----|-----|-----|-----|-----|-----|-----|-----|
| 31  | 30  | 29  | 28  | 27  | 26  | 25  | 24  |
| P31 | P30 | P29 | P28 | P27 | P26 | P25 | P24 |
| 23  | 22  | 21  | 20  | 19  | 18  | 17  | 16  |
| P23 | P22 | P21 | P20 | P19 | P18 | P17 | P16 |
| 15  | 14  | 13  | 12  | 11  | 10  | 9   | 8   |
| P15 | P14 | P13 | P12 | P11 | P10 | P9  | P8  |
| 7   | 6   | 5   | 4   | 3   | 2   | 1   | 0   |
| P7  | P6  | P5  | P4  | P3  | P2  | P1  | P0  |

- **P0-P31: Peripheral A B Status.**

0 = The I/O line is assigned to the Peripheral A.

1 = The I/O line is assigned to the Peripheral B.



## 28.7.27 PIO Output Write Enable Register

**Name:** PIO\_OWER

**Access Type:** Write-only

|     |     |     |     |     |     |     |     |
|-----|-----|-----|-----|-----|-----|-----|-----|
| 31  | 30  | 29  | 28  | 27  | 26  | 25  | 24  |
| P31 | P30 | P29 | P28 | P27 | P26 | P25 | P24 |
| 23  | 22  | 21  | 20  | 19  | 18  | 17  | 16  |
| P23 | P22 | P21 | P20 | P19 | P18 | P17 | P16 |
| 15  | 14  | 13  | 12  | 11  | 10  | 9   | 8   |
| P15 | P14 | P13 | P12 | P11 | P10 | P9  | P8  |
| 7   | 6   | 5   | 4   | 3   | 2   | 1   | 0   |
| P7  | P6  | P5  | P4  | P3  | P2  | P1  | P0  |

- **P0-P31: Output Write Enable.**

0 = No effect.

1 = Enables writing PIO\_ODSR for the I/O line.

## 28.7.28 PIO Output Write Disable Register

**Name:** PIO\_OWDR

**Access Type:** Write-only

|     |     |     |     |     |     |     |     |
|-----|-----|-----|-----|-----|-----|-----|-----|
| 31  | 30  | 29  | 28  | 27  | 26  | 25  | 24  |
| P31 | P30 | P29 | P28 | P27 | P26 | P25 | P24 |
| 23  | 22  | 21  | 20  | 19  | 18  | 17  | 16  |
| P23 | P22 | P21 | P20 | P19 | P18 | P17 | P16 |
| 15  | 14  | 13  | 12  | 11  | 10  | 9   | 8   |
| P15 | P14 | P13 | P12 | P11 | P10 | P9  | P8  |
| 7   | 6   | 5   | 4   | 3   | 2   | 1   | 0   |
| P7  | P6  | P5  | P4  | P3  | P2  | P1  | P0  |

- **P0-P31: Output Write Disable.**

0 = No effect.

1 = Disables writing PIO\_ODSR for the I/O line.



### 28.7.29 PIO Output Write Status Register

Name: PIO\_OWSR

Access Type: Read-only

|     |     |     |     |     |     |     |     |
|-----|-----|-----|-----|-----|-----|-----|-----|
| 31  | 30  | 29  | 28  | 27  | 26  | 25  | 24  |
| P31 | P30 | P29 | P28 | P27 | P26 | P25 | P24 |
| 23  | 22  | 21  | 20  | 19  | 18  | 17  | 16  |
| P23 | P22 | P21 | P20 | P19 | P18 | P17 | P16 |
| 15  | 14  | 13  | 12  | 11  | 10  | 9   | 8   |
| P15 | P14 | P13 | P12 | P11 | P10 | P9  | P8  |
| 7   | 6   | 5   | 4   | 3   | 2   | 1   | 0   |
| P7  | P6  | P5  | P4  | P3  | P2  | P1  | P0  |

- **P0-P31: Output Write Status.**

0 = Writing PIO\_ODSR does not affect the I/O line.

1 = Writing PIO\_ODSR affects the I/O line.

## 29. Serial Peripheral Interface (SPI)

### 29.1 Overview

The Serial Peripheral Interface (SPI) circuit is a synchronous serial data link that provides communication with external devices in Master or Slave Mode. It also enables communication between processors if an external processor is connected to the system.

The Serial Peripheral Interface is essentially a shift register that serially transmits data bits to other SPIs. During a data transfer, one SPI system acts as the "master" which controls the data flow, while the other devices act as "slaves" which have data shifted into and out by the master. Different CPUs can take turn being masters (Multiple Master Protocol opposite to Single Master Protocol where one CPU is always the master while all of the others are always slaves) and one master may simultaneously shift data into multiple slaves. However, only one slave may drive its output to write data back to the master at any given time.

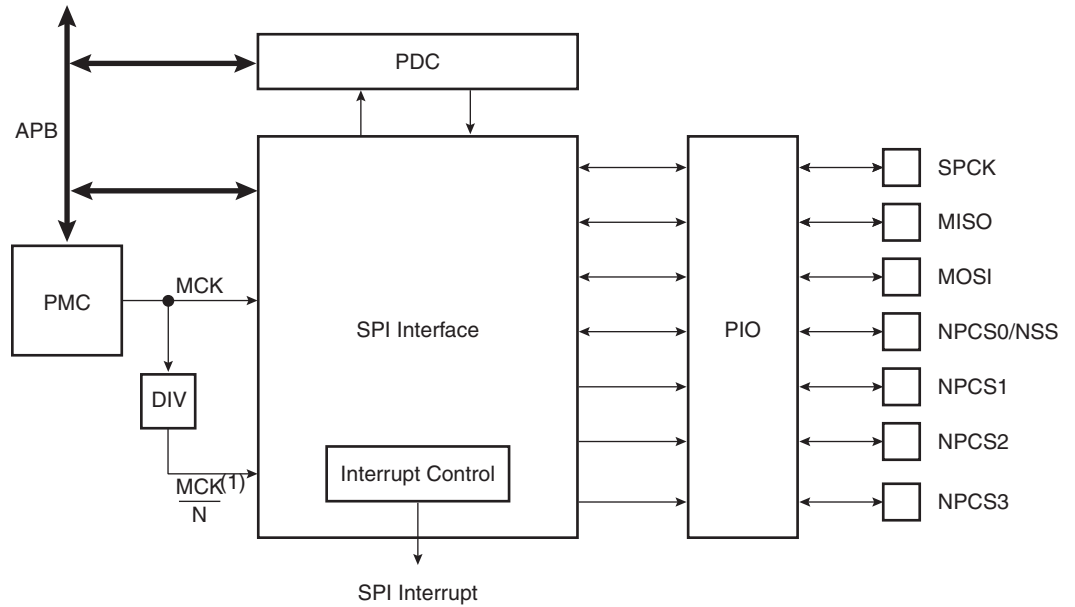
A slave device is selected when the master asserts its NSS signal. If multiple slave devices exist, the master generates a separate slave select signal for each slave (NPCS).

The SPI system consists of two data lines and two control lines:

- Master Out Slave In (MOSI): This data line supplies the output data from the master shifted into the input(s) of the slave(s).
- Master In Slave Out (MISO): This data line supplies the output data from a slave to the input of the master. There may be no more than one slave transmitting data during any particular transfer.
- Serial Clock (SPCK): This control line is driven by the master and regulates the flow of the data bits. The master may transmit data at a variety of baud rates; the SPCK line cycles once for each bit that is transmitted.
- Slave Select (NSS): This control line allows slaves to be turned on and off by hardware.

## 29.2 Block Diagram

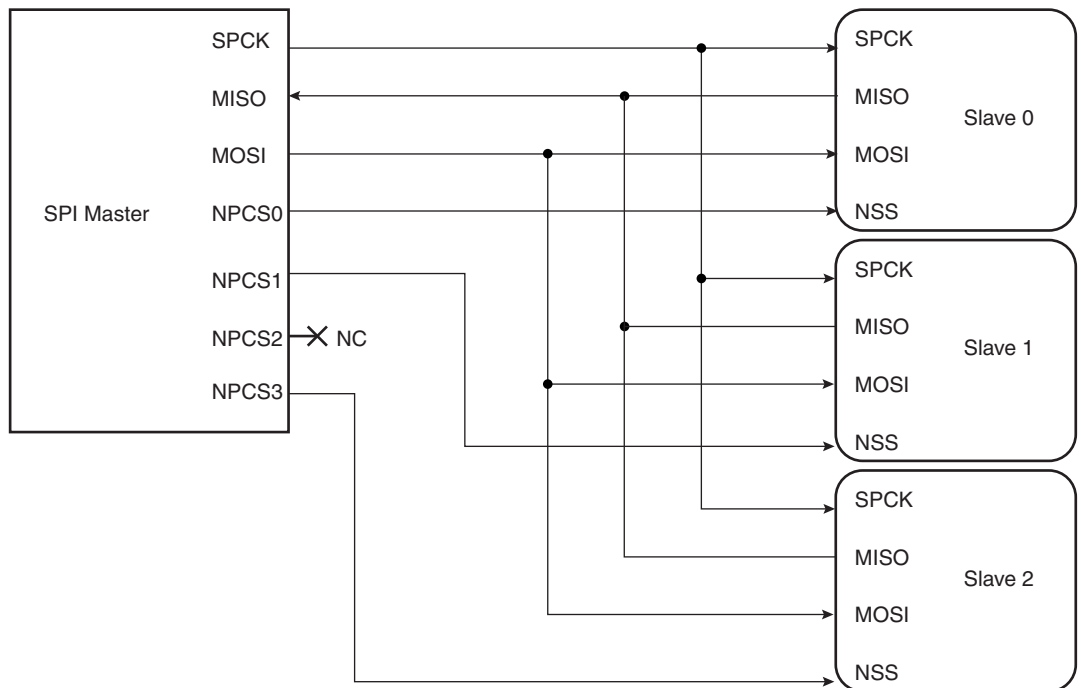
Figure 29-1. Block Diagram



Note: 1.  $N = 32$

## 29.3 Application Block Diagram

Figure 29-2. Application Block Diagram: Single Master/Multiple Slave Implementation



## 29.4 Signal Description

**Table 29-1.** Signal Description

| Pin Name    | Pin Description                     | Type   |        |
|-------------|-------------------------------------|--------|--------|
|             |                                     | Master | Slave  |
| MISO        | Master In Slave Out                 | Input  | Output |
| MOSI        | Master Out Slave In                 | Output | Input  |
| SPCK        | Serial Clock                        | Output | Input  |
| NPCS1-NPCS3 | Peripheral Chip Selects             | Output | Unused |
| NPCS0/NSS   | Peripheral Chip Select/Slave Select | Output | Input  |

## 29.5 Product Dependencies

### 29.5.1 I/O Lines

The pins used for interfacing the compliant external devices may be multiplexed with PIO lines. The programmer must first program the PIO controllers to assign the SPI pins to their peripheral functions.

### 29.5.2 Power Management

The SPI may be clocked through the Power Management Controller (PMC), thus the programmer must first configure the PMC to enable the SPI clock.

### 29.5.3 Interrupt

The SPI interface has an interrupt line connected to the Advanced Interrupt Controller (AIC). Handling the SPI interrupt requires programming the AIC before configuring the SPI.

## 29.6 Functional Description

### 29.6.1 Modes of Operation

The SPI operates in Master Mode or in Slave Mode.

Operation in Master Mode is programmed by writing at 1 the MSTR bit in the Mode Register. The pins NPCS0 to NPCS3 are all configured as outputs, the SPCK pin is driven, the MISO line is wired on the receiver input and the MOSI line driven as an output by the transmitter.

If the MSTR bit is written at 0, the SPI operates in Slave Mode. The MISO line is driven by the transmitter output, the MOSI line is wired on the receiver input, the SPCK pin is driven by the transmitter to synchronize the receiver. The NPCS0 pin becomes an input, and is used as a Slave Select signal (NSS). The pins NPCS1 to NPCS3 are not driven and can be used for other purposes.

The data transfers are identically programmable for both modes of operations. The baud rate generator is activated only in Master Mode.

### 29.6.2 Data Transfer

Four combinations of polarity and phase are available for data transfers. The clock polarity is programmed with the CPOL bit in the Chip Select Register. The clock phase is programmed with the NCPHA bit. These two parameters determine the edges of the clock signal on which data is driven and sampled. Each of the two parameters has two possible states, resulting in four possible combinations that are incompatible with one another. Thus, a master/slave pair must use the same parameter pair values to communicate. If multiple slaves are used and fixed in different configurations, the master must reconfigure itself each time it needs to communicate with a different slave.

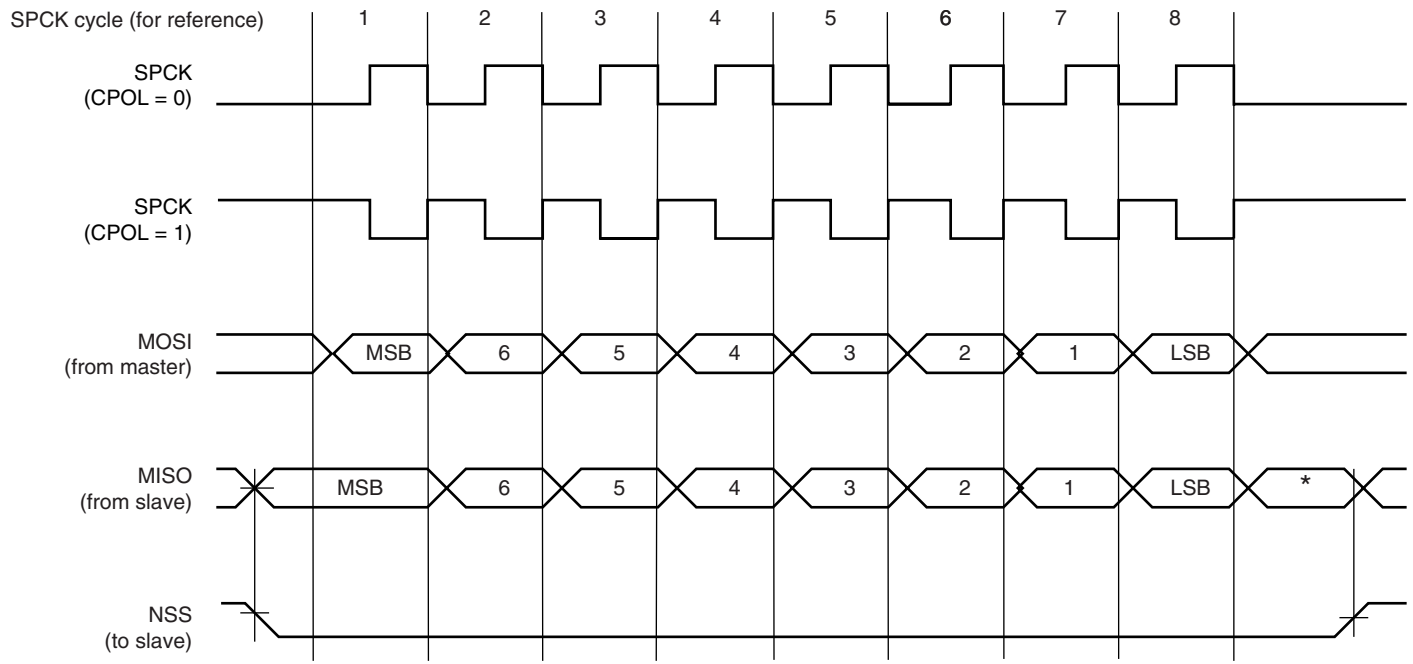
[Table 29-2](#) shows the four modes and corresponding parameter settings.

**Table 29-2.** SPI Bus Protocol Mode

| SPI Mode | CPOL | NCPHA |
|----------|------|-------|
| 0        | 0    | 1     |
| 1        | 0    | 0     |
| 2        | 1    | 1     |
| 3        | 1    | 0     |

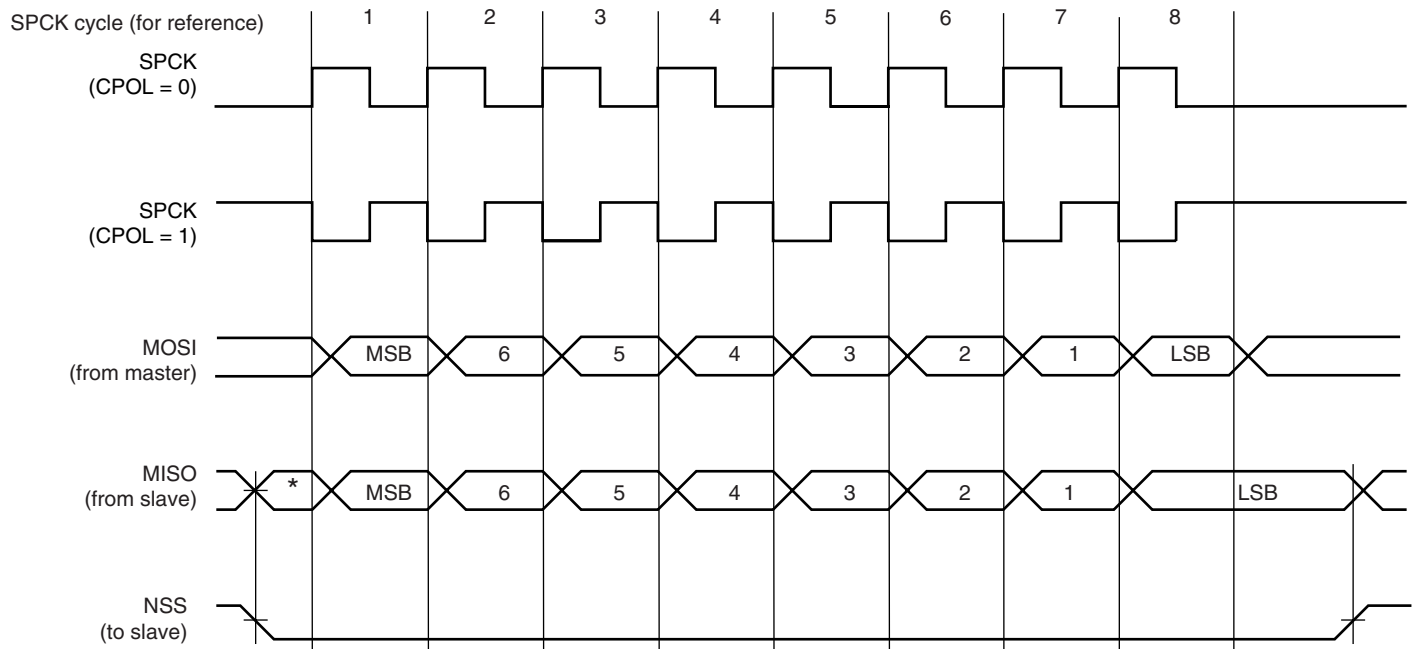
[Figure 29-3](#) and [Figure 29-4](#) show examples of data transfers.

**Figure 29-3.** SPI Transfer Format (NCPHA = 1, 8 bits per transfer)



\* Not defined, but normally MSB of previous character received.

**Figure 29-4.** SPI Transfer Format (NCPHA = 0, 8 bits per transfer)



\* Not defined but normally LSB of previous character transmitted.

### 29.6.3 Master Mode Operations

When configured in Master Mode, the SPI operates on the clock generated by the internal programmable baud rate generator. It fully controls the data transfers to and from the slave(s) connected to the SPI bus. The SPI drives the chip select line to the slave and the serial clock signal (SPCK).

The SPI features two holding registers, the Transmit Data Register and the Receive Data Register, and a single Shift Register. The holding registers maintain the data flow at a constant rate.

After enabling the SPI, a data transfer begins when the processor writes to the SPI\_TDR (Transmit Data Register). The written data is immediately transferred in the Shift Register and transfer on the SPI bus starts. While the data in the Shift Register is shifted on the MOSI line, the MISO line is sampled and shifted in the Shift Register. Transmission cannot occur without reception.

No transfer is started when writing into the SPI\_TDR if the PCS field does not select a slave. The PCS field is set by writing the SPI\_TDR in variable mode, or the SPI\_MR in fixed mode, depending on the value of PCS field.

If new data is written in SPI\_TDR during the transfer, it stays in it until the current transfer is completed. Then, the received data is transferred from the Shift Register to SPI\_RDR, the data in SPI\_TDR is loaded in the Shift Register and a new transfer starts.

The transfer of a data written in SPI\_TDR in the Shift Register is indicated by the TDRE bit (Transmit Data Register Empty) in the Status Register (SPI\_SR). When new data is written in SPI\_TDR, this bit is cleared. The TDRE bit is used to trigger the Transmit PDC channel.

The end of transfer is indicated by the TXEMPTY flag in the SPI\_SR register. If a transfer delay (DLYBCT) is greater than 0 for the last transfer, TXEMPTY is set after the completion of said delay. The master clock (MCK) can be switched off at this time.

The transfer of received data from the Shift Register in SPI\_RDR is indicated by the RDRF bit (Receive Data Register Full) in the Status Register (SPI\_SR). When the received data is read, the RDRF bit is cleared.

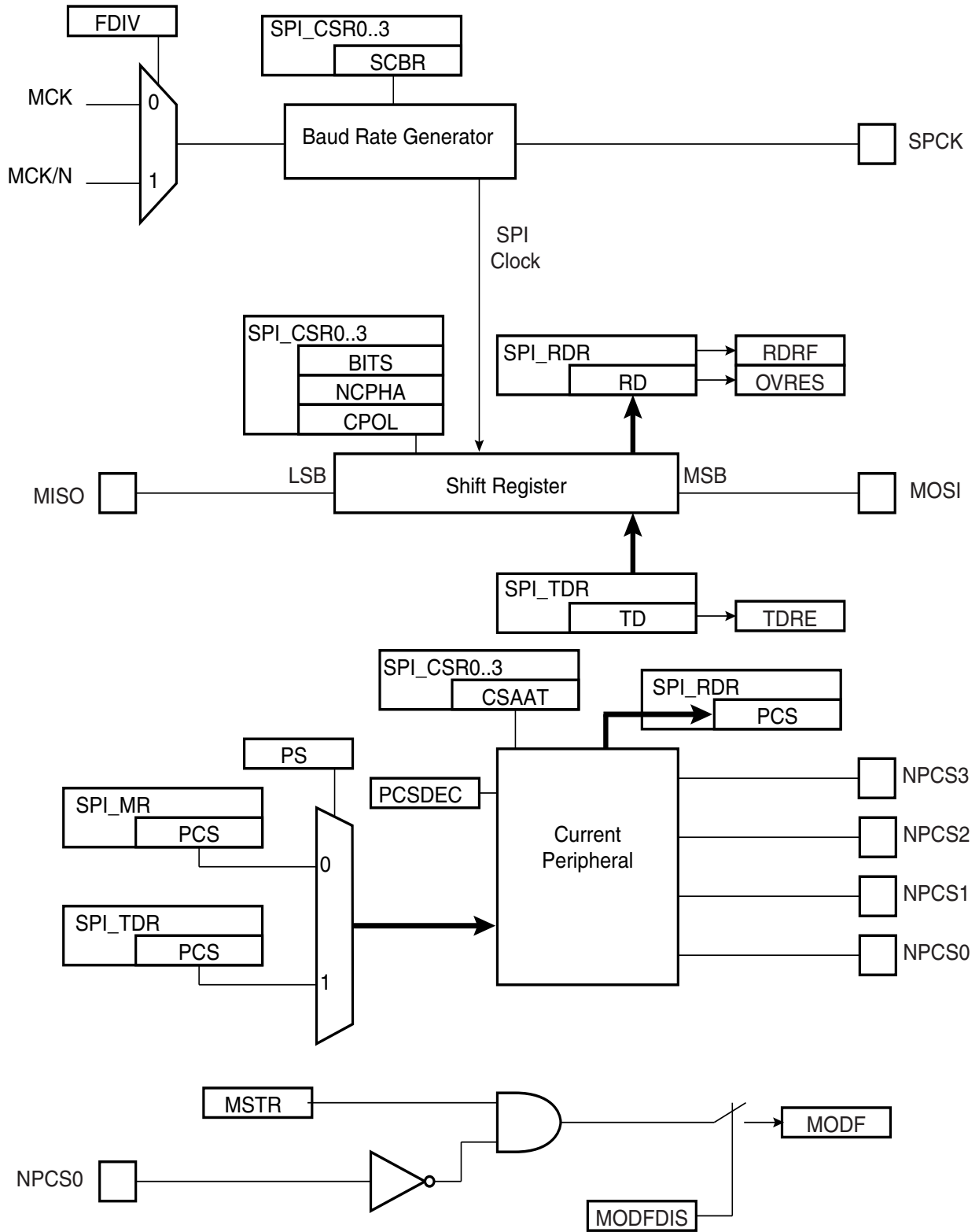
If the SPI\_RDR (Receive Data Register) has not been read before new data is received, the Overrun Error bit (OVRES) in SPI\_SR is set. As long as this flag is set, no data is loaded in SPI\_RDR. The user has to read the status register to clear the OVRES bit.

[Figure 29-5 on page 257](#) shows a block diagram of the SPI when operating in Master Mode. [Figure 29-6 on page 258](#) shows a flow chart describing how transfers are handled.



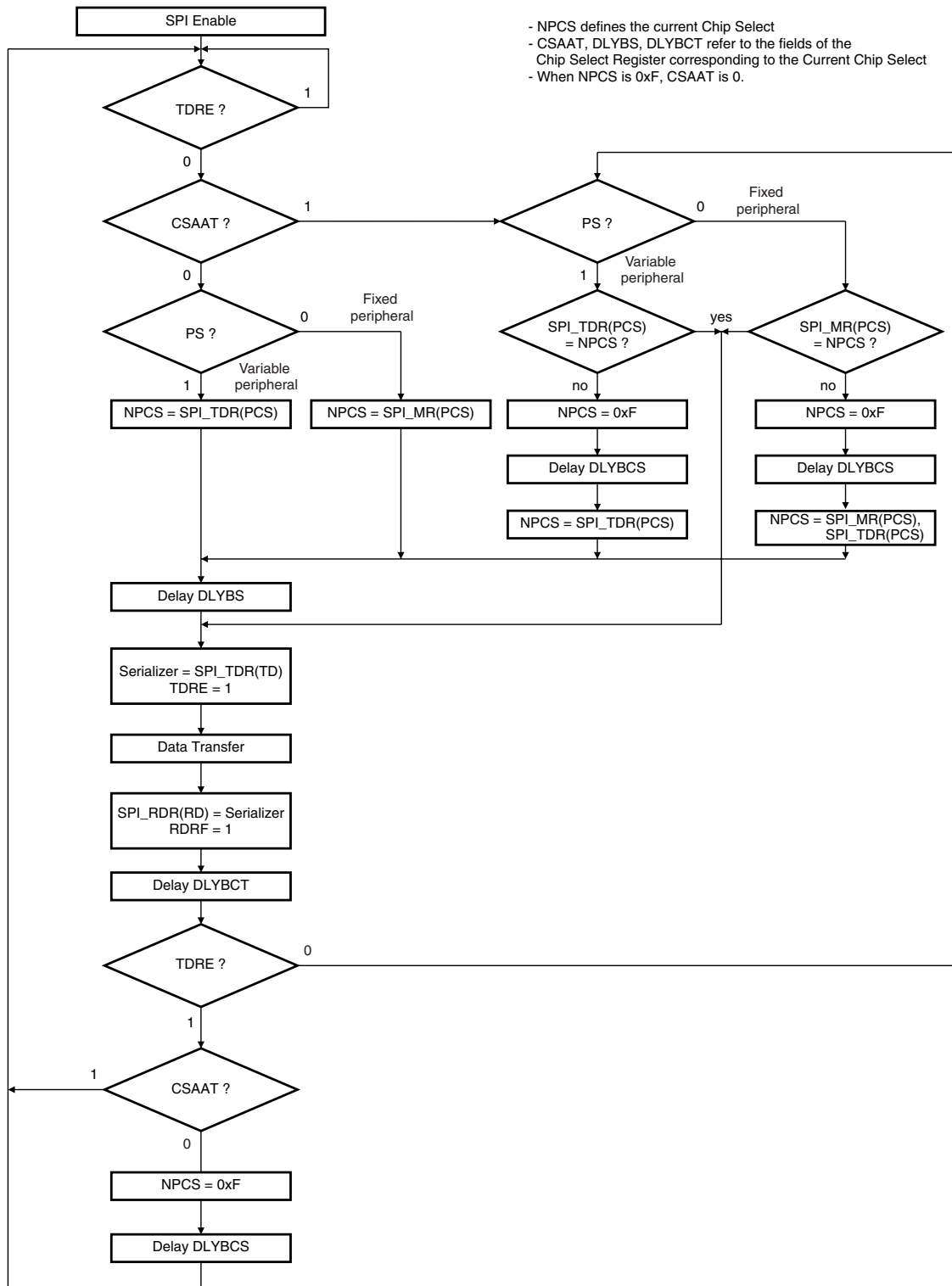
## 29.6.3.1 Master Mode Block Diagram

Figure 29-5. Master Mode Block Diagram



29.6.3.2 Master Mode Flow Diagram

Figure 29-6. Master Mode Flow Diagram S



## 29.6.3.3 Clock Generation

The SPI Baud rate clock is generated by dividing the Master Clock (MCK) or the Master Clock divided by 32, by a value between 2 and 255. The selection between Master Clock or Master Clock divided by N is done by the FDIV value set in the Mode Register

This allows a maximum operating baud rate at up to Master Clock/2 and a minimum operating baud rate of MCK divided by 255\*32.

Programming the SCBR field at 0 is forbidden. Triggering a transfer while SCBR is at 0 can lead to unpredictable results.

At reset, SCBR is 0 and the user has to program it at a valid value before performing the first transfer.

The divisor can be defined independently for each chip select, as it has to be programmed in the SCBR field of the Chip Select Registers. This allows the SPI to automatically adapt the baud rate for each interfaced peripheral without reprogramming.

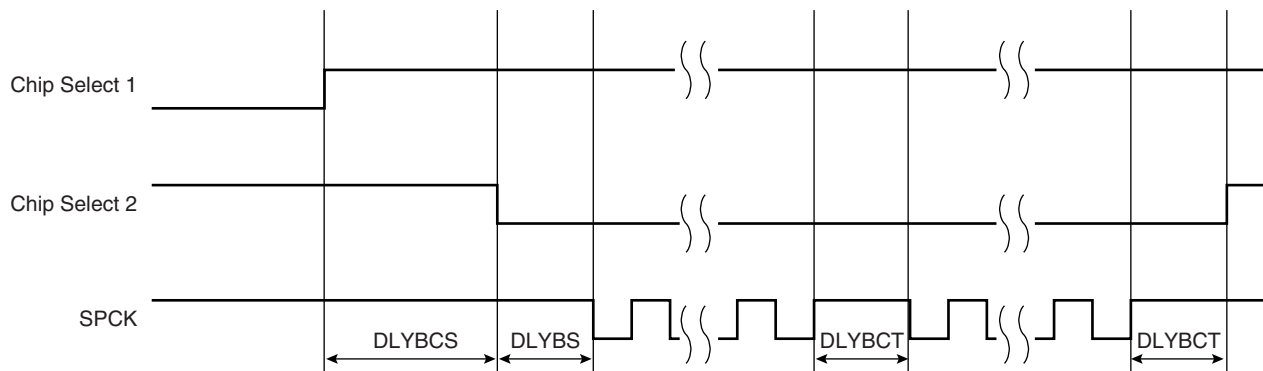
## 29.6.3.4 Transfer Delays

Figure 29-7 shows a chip select transfer change and consecutive transfers on the same chip select. Three delays can be programmed to modify the transfer waveforms:

- The delay between chip selects, programmable only once for all the chip selects by writing the DLYBCS field in the Mode Register. Allows insertion of a delay between release of one chip select and before assertion of a new one.
- The delay before SPCK, independently programmable for each chip select by writing the field DLYBS. Allows the start of SPCK to be delayed after the chip select has been asserted.
- The delay between consecutive transfers, independently programmable for each chip select by writing the DLYBCT field. Allows insertion of a delay between two transfers occurring on the same chip select

These delays allow the SPI to be adapted to the interfaced peripherals and their speed and bus release time.

**Figure 29-7.** Programmable Delays



## 29.6.3.5 Peripheral Selection

The serial peripherals are selected through the assertion of the NPCS0 to NPCS3 signals. By default, all the NPCS signals are high before and after each transfer.

The peripheral selection can be performed in two different ways:

- Fixed Peripheral Select: SPI exchanges data with only one peripheral
- Variable Peripheral Select: Data can be exchanged with more than one peripheral

Fixed Peripheral Select is activated by writing the PS bit to zero in SPI\_MR (Mode Register). In this case, the current peripheral is defined by the PCS field in SPI\_MR and the PCS fields of the Chip Select Registers have no effect.

Variable Peripheral Select is activated by setting PS bit to one. The PCS field in SPI\_TDR is used to select the current peripheral. This means that the peripheral selection can be defined for each new data.

The Fixed Peripheral Selection allows buffer transfers with a single peripheral. Using the PDC is an optimal means, as the size of the data transfer between the memory and the SPI is either 8 bits or 16 bits. However, changing the peripheral selection requires the Mode Register to be reprogrammed.

The Variable Peripheral Selection allows buffer transfers with multiple peripherals without reprogramming the Mode Register. Data written in SPI\_TDR is 32 bits wide and defines the real data to be transmitted and the peripheral it is destined to. Using the PDC in this mode requires 32-bit wide buffers, with the data in the LSBs and the PCS and LASTXFER fields in the MSBs, however the SPI still controls the number of bits (8 to 16) to be transferred through MISO and MOSI lines with the chip select configuration registers. This is not the optimal means in term of memory size for the buffers, but it provides a very effective means to exchange data with several peripherals without any intervention of the processor.

#### 29.6.3.6 Peripheral Chip Select Decoding

The user can program the SPI to operate with up to 15 peripherals by decoding the four Chip Select lines, NPCS0 to NPCS3 with an external logic. This can be enabled by writing the PCS-DEC bit at 1 in the Mode Register (SPI\_MR).

When operating without decoding, the SPI makes sure that in any case only one chip select line is activated, i.e. driven low at a time. If two bits are defined low in a PCS field, only the lowest numbered chip select is driven low.

When operating with decoding, the SPI directly outputs the value defined by the PCS field of either the Mode Register or the Transmit Data Register (depending on PS).

As the SPI sets a default value of 0xF on the chip select lines (i.e. all chip select lines at 1) when not processing any transfer, only 15 peripherals can be decoded.

The SPI has only four Chip Select Registers, not 15. As a result, when decoding is activated, each chip select defines the characteristics of up to four peripherals. As an example, SPI\_CRSD0 defines the characteristics of the externally decoded peripherals 0 to 3, corresponding to the PCS values 0x0 to 0x3. Thus, the user has to make sure to connect compatible peripherals on the decoded chip select lines 0 to 3, 4 to 7, 8 to 11 and 12 to 14.

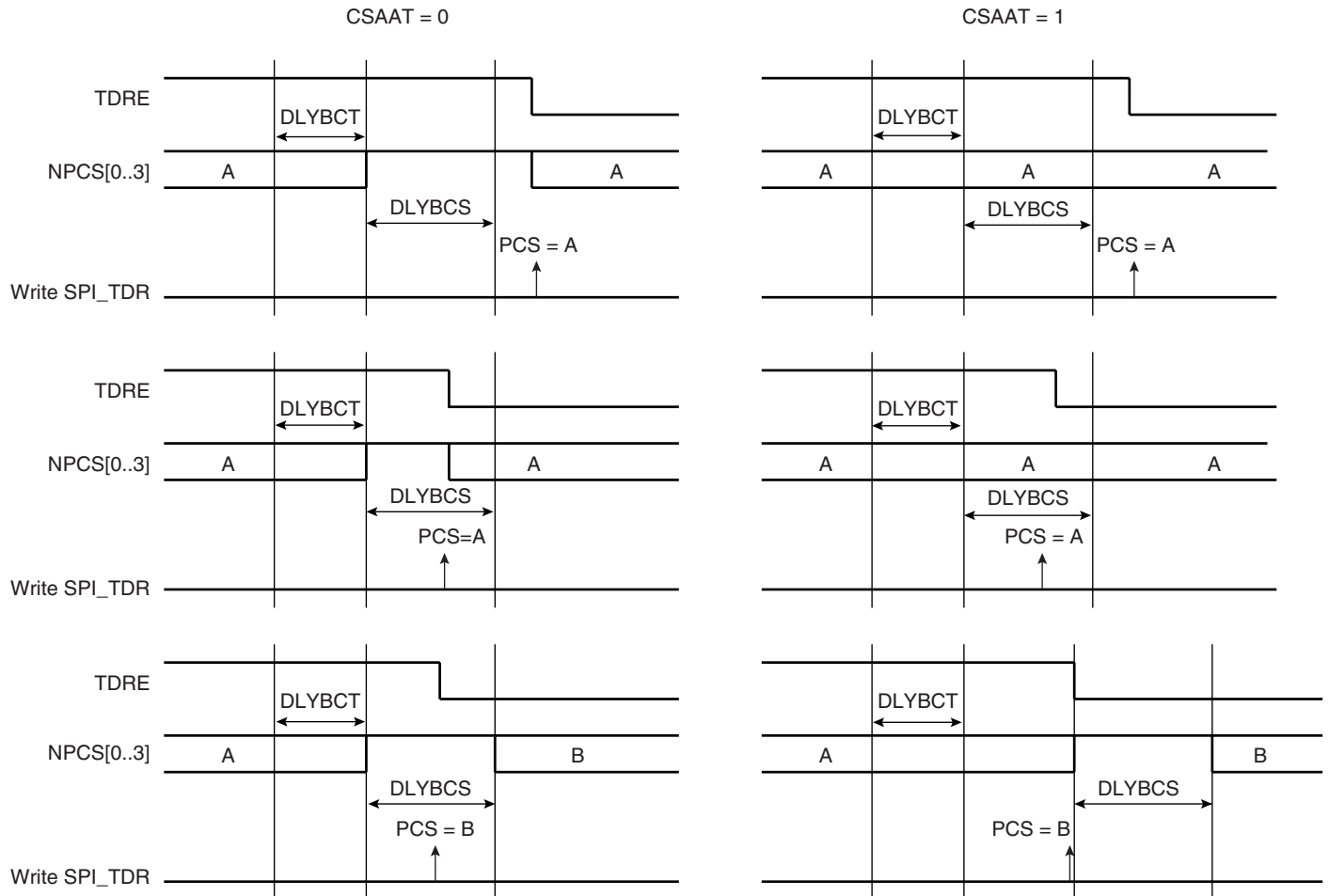
#### 29.6.3.7 Peripheral Deselection

When operating normally, as soon as the transfer of the last data written in SPI\_TDR is completed, the NPCS lines all rise. This might lead to runtime error if the processor is too long in responding to an interrupt, and thus might lead to difficulties for interfacing with some serial peripherals requiring the chip select line to remain active during a full set of transfers.

To facilitate interfacing with such devices, the Chip Select Register can be programmed with the CSAAT bit (Chip Select Active After Transfer) at 1. This allows the chip select lines to remain in their current state (low = active) until transfer to another peripheral is required.

Figure 29-8 shows different peripheral deselection cases and the effect of the CSAAT bit.

**Figure 29-8.** Peripheral Deselection



### 29.6.3.8 Mode Fault Detection

A mode fault is detected when the SPI is programmed in Master Mode and a low level is driven by an external master on the NPCS0/NSS signal. As this pin is generally configured in open-drain, it is important that a pull up resistor is connected on the NPCS0 line, so that a high level is guaranteed and no spurious mode fault is detected.

When a mode fault is detected, the MODF bit in the SPI\_SR is set until the SPI\_SR is read and the SPI is automatically disabled until re-enabled by writing the SPIEN bit in the SPI\_CR (Control Register) at 1.

By default, the Mode Fault detection circuitry is enabled. The user can disable Mode Fault detection by setting the MODFDIS bit in the SPI Mode Register (SPI\_MR).

## 29.6.4 SPI Slave Mode

When operating in Slave Mode, the SPI processes data bits on the clock provided on the SPI clock pin (SPCK).

The SPI waits for NSS to go active before receiving the serial clock from an external master. When NSS falls, the clock is validated on the serializer, which processes the number of bits defined by the BITS field of the Chip Select Register 0 (SPI\_CSR0). These bits are processed following a phase and a polarity defined respectively by the NCPHA and CPOL bits of the SPI\_CSR0. Note that BITS, CPOL and NCPHA of the other Chip Select Registers have no effect when the SPI is programmed in Slave Mode.

The bits are shifted out on the MISO line and sampled on the MOSI line.

When all the bits are processed, the received data is transferred in the Receive Data Register and the RDRF bit rises. If RDRF is already high when the data is transferred, the Overrun bit rises and the data transfer to SPI\_RDR is aborted.

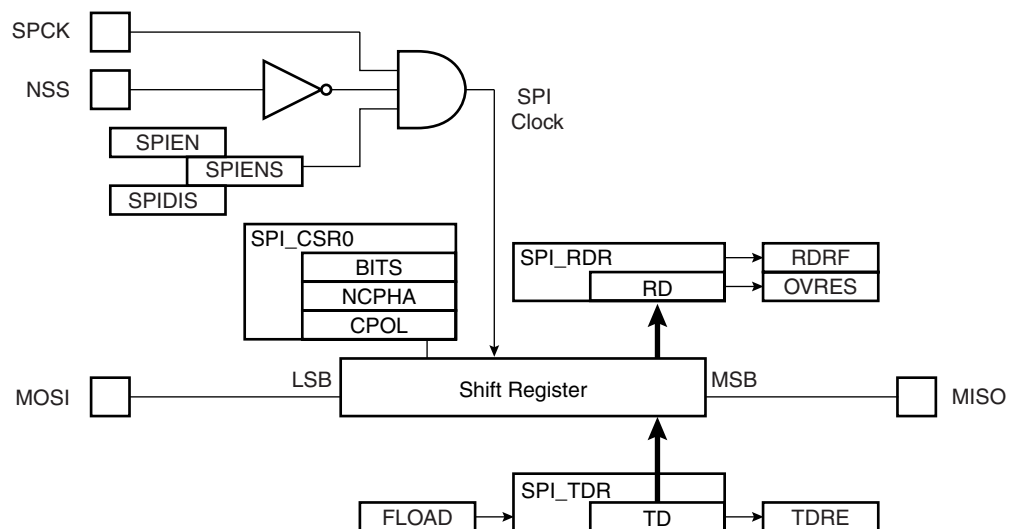
When a transfer starts, the data shifted out is the data present in the Shift Register. If no data has been written in the Transmit Data Register (SPI\_TDR), the last data received is transferred. If no data has been received since the last reset, all bits are transmitted low, as the Shift Register resets at 0.

When a first data is written in SPI\_TDR, it is transferred immediately in the Shift Register and the TDRE bit rises. If new data is written, it remains in SPI\_TDR until a transfer occurs, i.e. NSS falls and there is a valid clock on the SPCK pin. When the transfer occurs, the last data written in SPI\_TDR is transferred in the Shift Register and the TDRE bit rises. This enables frequent updates of critical variables with single transfers.

Then, a new data is loaded in the Shift Register from the Transmit Data Register. In case no character is ready to be transmitted, i.e. no character has been written in SPI\_TDR since the last load from SPI\_TDR to the Shift Register, the Shift Register is not modified and the last received character is retransmitted.

Figure 29-9 shows a block diagram of the SPI when operating in Slave Mode.

**Figure 29-9.** Slave Mode Functional Block Diagram



## 29.7 Serial Peripheral Interface (SPI) User Interface

**Table 29-3.** Serial Peripheral Interface (SPI) Register Mapping

| Offset          | Register                   | Register Name | Access     | Reset      |
|-----------------|----------------------------|---------------|------------|------------|
| 0x00            | Control Register           | SPI_CR        | Write-only | ---        |
| 0x04            | Mode Register              | SPI_MR        | Read/Write | 0x0        |
| 0x08            | Receive Data Register      | SPI_RDR       | Read-only  | 0x0        |
| 0x0C            | Transmit Data Register     | SPI_TDR       | Write-only | ---        |
| 0x10            | Status Register            | SPI_SR        | Read-only  | 0x000000F0 |
| 0x14            | Interrupt Enable Register  | SPI_IER       | Write-only | ---        |
| 0x18            | Interrupt Disable Register | SPI_IDR       | Write-only | ---        |
| 0x1C            | Interrupt Mask Register    | SPI_IMR       | Read-only  | 0x0        |
| 0x20 - 0x2C     | Reserved                   |               |            |            |
| 0x30            | Chip Select Register 0     | SPI_CSR0      | Read/Write | 0x0        |
| 0x34            | Chip Select Register 1     | SPI_CSR1      | Read/Write | 0x0        |
| 0x38            | Chip Select Register 2     | SPI_CSR2      | Read/Write | 0x0        |
| 0x3C            | Chip Select Register 3     | SPI_CSR3      | Read/Write | 0x0        |
| 0x004C - 0x00FC | Reserved                   | -             | -          | -          |
| 0x100 - 0x124   | Reserved for the PDC       |               |            |            |

### 29.7.1 SPI Control Register

**Name:** SPI\_CR

**Access Type:** Write-only

|       |    |    |    |    |    |        |          |
|-------|----|----|----|----|----|--------|----------|
| 31    | 30 | 29 | 28 | 27 | 26 | 25     | 24       |
| –     | –  | –  | –  | –  | –  | –      | LASTXFER |
| 23    | 22 | 21 | 20 | 19 | 18 | 17     | 16       |
| –     | –  | –  | –  | –  | –  | –      | –        |
| 15    | 14 | 13 | 12 | 11 | 10 | 9      | 8        |
| –     | –  | –  | –  | –  | –  | –      | –        |
| 7     | 6  | 5  | 4  | 3  | 2  | 1      | 0        |
| SWRST | –  | –  | –  | –  | –  | SPIDIS | SPIEN    |

- **SPIEN: SPI Enable**

0 = No effect.

1 = Enables the SPI to transfer and receive data.

- **SPIDIS: SPI Disable**

0 = No effect.

1 = Disables the SPI.

All pins are set in input mode and no data is received or transmitted.

If a transfer is in progress, the transfer is finished before the SPI is disabled.

If both SPIEN and SPIDIS are equal to one when the control register is written, the SPI is disabled.

- **SWRST: SPI Software Reset**

0 = No effect.

1 = Reset the SPI. A software-triggered hardware reset of the SPI interface is performed.

- **LASTXFER: Last Transfer**

0 = No effect.

1 = The current NPCS will be deasserted after the character written in TD has been transferred. When CSAAT is set, this allows to close the communication with the current serial peripheral by raising the corresponding NPCS line as soon as TD transfer has completed.



## 29.7.2 SPI Mode Register

**Name:** SPI\_MR

**Access Type:** Read/Write

|        |    |    |         |      |        |    |      |
|--------|----|----|---------|------|--------|----|------|
| 31     | 30 | 29 | 28      | 27   | 26     | 25 | 24   |
| DLYBCS |    |    |         |      |        |    |      |
| 23     | 22 | 21 | 20      | 19   | 18     | 17 | 16   |
| –      | –  | –  | –       | PCS  |        |    |      |
| 15     | 14 | 13 | 12      | 11   | 10     | 9  | 8    |
| –      | –  | –  | –       | –    | –      | –  | –    |
| 7      | 6  | 5  | 4       | 3    | 2      | 1  | 0    |
| LLB    | –  | –  | MODFDIS | FDIV | PCSDEC | PS | MSTR |

- **MSTR: Master/Slave Mode**

0 = SPI is in Slave mode.

1 = SPI is in Master mode.

- **PS: Peripheral Select**

0 = Fixed Peripheral Select.

1 = Variable Peripheral Select.

- **PCSDEC: Chip Select Decode**

0 = The chip selects are directly connected to a peripheral device.

1 = The four chip select lines are connected to a 4- to 16-bit decoder.

When PCSDEC equals one, up to 15 Chip Select signals can be generated with the four lines using an external 4- to 16-bit decoder. The Chip Select Registers define the characteristics of the 16 chip selects according to the following rules:

SPI\_CSR0 defines peripheral chip select signals 0 to 3.

SPI\_CSR1 defines peripheral chip select signals 4 to 7.

SPI\_CSR2 defines peripheral chip select signals 8 to 11.

SPI\_CSR3 defines peripheral chip select signals 12 to 15.

- **FDIV: Clock Selection**

0 = The SPI operates at MCK.

1 = The SPI operates at MCK/N.

- **MODFDIS: Mode Fault Detection**

0 = Mode fault detection is enabled.

1 = Mode fault detection is disabled.

- **LLB: Local Loopback Enable**

0 = Local loopback path disabled.

1 = Local loopback path enabled.

LLB controls the local loopback on the data serializer for testing in Master Mode only.

- **PCS: Peripheral Chip Select**

This field is only used if Fixed Peripheral Select is active (PS = 0).

If PCSDEC = 0:

PCS = xxx0    NPCS[3:0] = 1110  
 PCS = xx01    NPCS[3:0] = 1101  
 PCS = x011    NPCS[3:0] = 1011  
 PCS = 0111    NPCS[3:0] = 0111  
 PCS = 1111    forbidden (no peripheral is selected)  
 (x = don't care)

If PCSDEC = 1:

NPCS[3:0] output signals = PCS.

• **DLYBCS: Delay Between Chip Selects**

This field defines the delay from NPCS inactive to the activation of another NPCS. The DLYBCS time guarantees non-overlapping chip selects and solves bus contentions in case of peripherals having long data float times.

If DLYBCS is less than or equal to six, six MCK periods (or 6\*N MCK periods if FDIV is set) will be inserted by default.

Otherwise, the following equation determines the delay:

If FDIV is 0:

$$\text{Delay Between Chip Selects} = \frac{DLYBCS}{MCK}$$

If FDIV is 1:

$$\text{Delay Between Chip Selects} = \frac{DLYBCS \times N}{MCK}$$

## 29.7.3 SPI Receive Data Register

**Name:** SPI\_RDR

**Access Type:** Read-only

|    |    |    |    |     |    |    |    |
|----|----|----|----|-----|----|----|----|
| 31 | 30 | 29 | 28 | 27  | 26 | 25 | 24 |
| –  | –  | –  | –  | –   | –  | –  | –  |
| 23 | 22 | 21 | 20 | 19  | 18 | 17 | 16 |
| –  | –  | –  | –  | PCS |    |    |    |
| 15 | 14 | 13 | 12 | 11  | 10 | 9  | 8  |
| RD |    |    |    |     |    |    |    |
| 7  | 6  | 5  | 4  | 3   | 2  | 1  | 0  |
| RD |    |    |    |     |    |    |    |

- **RD: Receive Data**

Data received by the SPI Interface is stored in this register right-justified. Unused bits read zero.

- **PCS: Peripheral Chip Select**

In Master Mode only, these bits indicate the value on the NPCS pins at the end of a transfer. Otherwise, these bits read zero.

### 29.7.4 SPI Transmit Data Register

**Name:** SPI\_TDR

**Access Type:** Write-only

|    |    |    |    |     |    |    |          |
|----|----|----|----|-----|----|----|----------|
| 31 | 30 | 29 | 28 | 27  | 26 | 25 | 24       |
| –  | –  | –  | –  | –   | –  | –  | LASTXFER |
| 23 | 22 | 21 | 20 | 19  | 18 | 17 | 16       |
| –  | –  | –  | –  | PCS |    |    |          |
| 15 | 14 | 13 | 12 | 11  | 10 | 9  | 8        |
| TD |    |    |    |     |    |    |          |
| 7  | 6  | 5  | 4  | 3   | 2  | 1  | 0        |
| TD |    |    |    |     |    |    |          |

- **TD: Transmit Data**

Data to be transmitted by the SPI Interface is stored in this register. Information to be transmitted must be written to the transmit data register in a right-justified format.

PCS: Peripheral Chip Select

This field is only used if Variable Peripheral Select is active (PS = 1).

If PCSDEC = 0:

- PCS = xxx0    NPCS[3:0] = 1110
  - PCS = xx01    NPCS[3:0] = 1101
  - PCS = x011    NPCS[3:0] = 1011
  - PCS = 0111    NPCS[3:0] = 0111
  - PCS = 1111    forbidden (no peripheral is selected)
- (x = don't care)

If PCSDEC = 1:

NPCS[3:0] output signals = PCS

- **LASTXFER: Last Transfer**

0 = No effect.

1 = The current NPCS will be deasserted after the character written in TD has been transferred. When CSAAT is set, this allows to close the communication with the current serial peripheral by raising the corresponding NPCS line as soon as TD transfer has completed.

## 29.7.5 SPI Status Register

**Name:** SPI\_SR

**Access Type:** Read-only

|        |        |       |       |       |      |         |        |
|--------|--------|-------|-------|-------|------|---------|--------|
| 31     | 30     | 29    | 28    | 27    | 26   | 25      | 24     |
| –      | –      | –     | –     | –     | –    | –       | –      |
| 23     | 22     | 21    | 20    | 19    | 18   | 17      | 16     |
| –      | –      | –     | –     | –     | –    | –       | SPIENS |
| 15     | 14     | 13    | 12    | 11    | 10   | 9       | 8      |
| –      | –      | –     | –     | –     | –    | TXEMPTY | NSSR   |
| 7      | 6      | 5     | 4     | 3     | 2    | 1       | 0      |
| TXBUFE | RXBUFF | ENDTX | ENDRX | OVRES | MODF | TDRE    | RDRF   |

- **RDRF: Receive Data Register Full**

0 = No data has been received since the last read of SPI\_RDR

1 = Data has been received and the received data has been transferred from the serializer to SPI\_RDR since the last read of SPI\_RDR.

- **TDRE: Transmit Data Register Empty**

0 = Data has been written to SPI\_TDR and not yet transferred to the serializer.

1 = The last data written in the Transmit Data Register has been transferred to the serializer.

TDRE equals zero when the SPI is disabled or at reset. The SPI enable command sets this bit to one.

- **MODF: Mode Fault Error**

0 = No Mode Fault has been detected since the last read of SPI\_SR.

1 = A Mode Fault occurred since the last read of the SPI\_SR.

- **OVRES: Overrun Error Status**

0 = No overrun has been detected since the last read of SPI\_SR.

1 = An overrun has occurred since the last read of SPI\_SR.

An overrun occurs when SPI\_RDR is loaded at least twice from the serializer since the last read of the SPI\_RDR.

- **ENDRX: End of RX buffer**

0 = The Receive Counter Register has not reached 0 since the last write in SPI\_RCR or SPI\_RNCR.

1 = The Receive Counter Register has reached 0 since the last write in SPI\_RCR or SPI\_RNCR.

- **ENDTX: End of TX buffer**

0 = The Transmit Counter Register has not reached 0 since the last write in SPI\_TCR or SPI\_TNCR.

1 = The Transmit Counter Register has reached 0 since the last write in SPI\_TCR or SPI\_TNCR.

- **RXBUFF: RX Buffer Full**

0 = SPI\_RCR or SPI\_RNCR has a value other than 0.

1 = Both SPI\_RCR and SPI\_RNCR has a value of 0.

- **TXBUFE: TX Buffer Empty**

0 = SPI\_TCR or SPI\_TNCR has a value other than 0.

1 = Both SPI\_TCR and SPI\_TNCR has a value of 0.

- **NSSR: NSS Rising**

0 = No rising edge detected on NSS pin since last read.

1 = A rising edge occurred on NSS pin since last read.

- **TXEMPTY: Transmission Registers Empty**

0 = As soon as data is written in SPI\_TDR.

1 = SPI\_TDR and internal shifter are empty. If a transfer delay has been defined, TXEMPTY is set after the completion of such delay.

- **SPIENS: SPI Enable Status**

0 = SPI is disabled.

1 = SPI is enabled.

## 29.7.6 SPI Interrupt Enable Register

**Name:** SPI\_IER

**Access Type:** Write-only

|        |        |       |       |       |      |         |      |
|--------|--------|-------|-------|-------|------|---------|------|
| 31     | 30     | 29    | 28    | 27    | 26   | 25      | 24   |
| –      | –      | –     | –     | –     | –    | –       | –    |
| 23     | 22     | 21    | 20    | 19    | 18   | 17      | 16   |
| –      | –      | –     | –     | –     | –    | –       | –    |
| 15     | 14     | 13    | 12    | 11    | 10   | 9       | 8    |
| –      | –      | –     | –     | –     | –    | TXEMPTY | NSSR |
| 7      | 6      | 5     | 4     | 3     | 2    | 1       | 0    |
| TXBUFE | RXBUFF | ENDTX | ENDRX | OVRES | MODF | TDRE    | RDRF |

- **RDRF: Receive Data Register Full Interrupt Enable**
- **TDRE: SPI Transmit Data Register Empty Interrupt Enable**
- **MODF: Mode Fault Error Interrupt Enable**
- **OVRES: Overrun Error Interrupt Enable**
- **ENDRX: End of Receive Buffer Interrupt Enable**
- **ENDTX: End of Transmit Buffer Interrupt Enable**
- **RXBUFF: Receive Buffer Full Interrupt Enable**
- **TXBUFE: Transmit Buffer Empty Interrupt Enable**
- **TXEMPTY: Transmission Registers Empty Enable**
- **NSSR: NSS Rising Interrupt Enable**

0 = No effect.

1 = Enables the corresponding interrupt.



### 29.7.7 SPI Interrupt Disable Register

Name: SPI\_IDR

Access Type: Write-only

|        |        |       |       |       |      |         |      |
|--------|--------|-------|-------|-------|------|---------|------|
| 31     | 30     | 29    | 28    | 27    | 26   | 25      | 24   |
| –      | –      | –     | –     | –     | –    | –       | –    |
| 23     | 22     | 21    | 20    | 19    | 18   | 17      | 16   |
| –      | –      | –     | –     | –     | –    | –       | –    |
| 15     | 14     | 13    | 12    | 11    | 10   | 9       | 8    |
| –      | –      | –     | –     | –     | –    | TXEMPTY | NSSR |
| 7      | 6      | 5     | 4     | 3     | 2    | 1       | 0    |
| TXBUFE | RXBUFF | ENDTX | ENDRX | OVRES | MODF | TDRE    | RDRF |

- **RDRF: Receive Data Register Full Interrupt Disable**
- **TDRE: SPI Transmit Data Register Empty Interrupt Disable**
- **MODF: Mode Fault Error Interrupt Disable**
- **OVRES: Overrun Error Interrupt Disable**
- **ENDRX: End of Receive Buffer Interrupt Disable**
- **ENDTX: End of Transmit Buffer Interrupt Disable**
- **RXBUFF: Receive Buffer Full Interrupt Disable**
- **TXBUFE: Transmit Buffer Empty Interrupt Disable**
- **TXEMPTY: Transmission Registers Empty Disable**
- **NSSR: NSS Rising Interrupt Disable**

0 = No effect.

1 = Disables the corresponding interrupt.



## 29.7.8 SPI Interrupt Mask Register

**Name:** SPI\_IMR

**Access Type:** Read-only

|        |        |       |       |       |      |         |      |
|--------|--------|-------|-------|-------|------|---------|------|
| 31     | 30     | 29    | 28    | 27    | 26   | 25      | 24   |
| –      | –      | –     | –     | –     | –    | –       | –    |
| 23     | 22     | 21    | 20    | 19    | 18   | 17      | 16   |
| –      | –      | –     | –     | –     | –    | –       | –    |
| 15     | 14     | 13    | 12    | 11    | 10   | 9       | 8    |
| –      | –      | –     | –     | –     | –    | TXEMPTY | NSSR |
| 7      | 6      | 5     | 4     | 3     | 2    | 1       | 0    |
| TXBUFE | RXBUFF | ENDTX | ENDRX | OVRES | MODF | TDRE    | RDRF |

- **RDRF: Receive Data Register Full Interrupt Mask**
- **TDRE: SPI Transmit Data Register Empty Interrupt Mask**
- **MODF: Mode Fault Error Interrupt Mask**
- **OVRES: Overrun Error Interrupt Mask**
- **ENDRX: End of Receive Buffer Interrupt Mask**
- **ENDTX: End of Transmit Buffer Interrupt Mask**
- **RXBUFF: Receive Buffer Full Interrupt Mask**
- **TXBUFE: Transmit Buffer Empty Interrupt Mask**
- **TXEMPTY: Transmission Registers Empty Mask**
- **NSSR: NSS Rising Interrupt Mask**

0 = The corresponding interrupt is not enabled.

1 = The corresponding interrupt is enabled.



### 29.7.9 SPI Chip Select Register

**Name:** SPI\_CSR0... SPI\_CSR3

**Access Type:** Read/Write

|        |    |    |    |       |    |       |      |
|--------|----|----|----|-------|----|-------|------|
| 31     | 30 | 29 | 28 | 27    | 26 | 25    | 24   |
| DLYBCT |    |    |    |       |    |       |      |
| 23     | 22 | 21 | 20 | 19    | 18 | 17    | 16   |
| DLYBS  |    |    |    |       |    |       |      |
| 15     | 14 | 13 | 12 | 11    | 10 | 9     | 8    |
| SCBR   |    |    |    |       |    |       |      |
| 7      | 6  | 5  | 4  | 3     | 2  | 1     | 0    |
| BITS   |    |    |    | CSAAT | –  | NCPHA | CPOL |

- **CPOL: Clock Polarity**

0 = The inactive state value of SPCK is logic level zero.

1 = The inactive state value of SPCK is logic level one.

CPOL is used to determine the inactive state value of the serial clock (SPCK). It is used with NCPHA to produce the required clock/data relationship between master and slave devices.

- **NCPHA: Clock Phase**

0 = Data is changed on the leading edge of SPCK and captured on the following edge of SPCK.

1 = Data is captured on the leading edge of SPCK and changed on the following edge of SPCK.

NCPHA determines which edge of SPCK causes data to change and which edge causes data to be captured. NCPHA is used with CPOL to produce the required clock/data relationship between master and slave devices.

- **CSAAT: Chip Select Active After Transfer**

0 = The Peripheral Chip Select Line rises as soon as the last transfer is achieved.

1 = The Peripheral Chip Select does not rise after the last transfer is achieved. It remains active until a new transfer is requested on a different chip select.

- **BITS: Bits Per Transfer**

The BITS field determines the number of data bits transferred. Reserved values should not be used.

| BITS | Bits Per Transfer |
|------|-------------------|
| 0000 | 8                 |
| 0001 | 9                 |
| 0010 | 10                |
| 0011 | 11                |
| 0100 | 12                |
| 0101 | 13                |
| 0110 | 14                |
| 0111 | 15                |
| 1000 | 16                |
| 1001 | Reserved          |
| 1010 | Reserved          |
| 1011 | Reserved          |
| 1100 | Reserved          |
| 1101 | Reserved          |
| 1110 | Reserved          |
| 1111 | Reserved          |

- **SCBR: Serial Clock Baud Rate**

In Master Mode, the SPI Interface uses a modulus counter to derive the SPCK baud rate from the Master Clock MCK. The Baud rate is selected by writing a value from 1 to 255 in the SCBR field. The following equations determine the SPCK baud rate:

If FDIV is 0:

$$\text{SPCK Baudrate} = \frac{MCK}{SCBR}$$

If FDIV is 1:

$$\text{SPCK Baudrate} = \frac{MCK}{(N \times SCBR)}$$

Note: N = 32

Programming the SCBR field at 0 is forbidden. Triggering a transfer while SCBR is at 0 can lead to unpredictable results. At reset, SCBR is 0 and the user has to program it at a valid value before performing the first transfer.

- **DLYBS: Delay Before SPCK**

This field defines the delay from NPCS valid to the first valid SPCK transition.

When DLYBS equals zero, the NPCS valid to SPCK transition is 1/2 the SPCK clock period.

Otherwise, the following equations determine the delay:

If FDIV is 0:

$$\text{Delay Before SPCK} = \frac{DLYBS}{MCK}$$

If FDIV is 1:

$$\text{Delay Before SPCK} = \frac{N \times DLYBS}{MCK}$$

Note: N = 32

- **DLYBCT: Delay Between Consecutive Transfers**

This field defines the delay between two consecutive transfers with the same peripheral without removing the chip select. The delay is always inserted after each transfer and before removing the chip select if needed.

When DLYBCT equals zero, no delay between consecutive transfers is inserted and the clock keeps its duty cycle over the character transfers.

Otherwise, the following equation determines the delay:

If FDIV is 0:

$$\text{Delay Between Consecutive Transfers} = \frac{32 \times DLYBCT}{MCK} + \frac{SCBR}{2MCK}$$

If FDIV is 1:

$$\text{Delay Between Consecutive Transfers} = \frac{32 \times N \times DLYBCT}{MCK} + \frac{N \times SCBR}{2MCK}$$

Note: N = 32

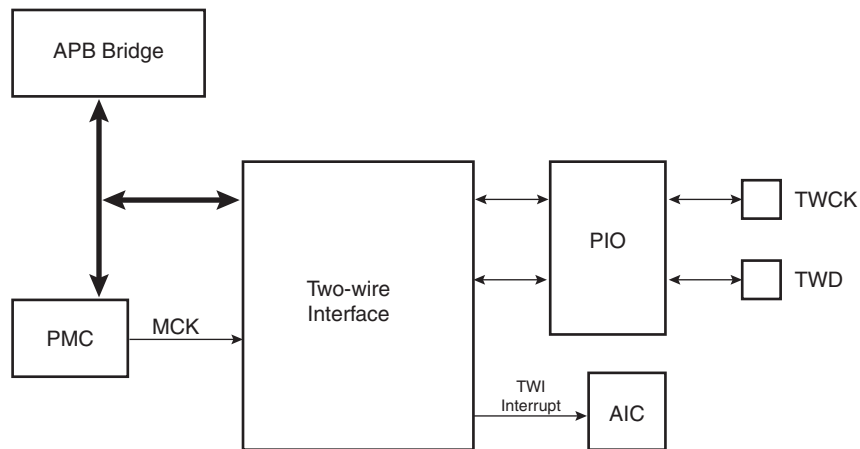
## 30. Two-wire Interface (TWI)

### 30.1 Overview

The Two-wire Interface (TWI) interconnects components on a unique two-wire bus, made up of one clock line and one data line with speeds of up to 400 Kbits per second, based on a byte-oriented transfer format. It can be used with any Atmel two-wire bus Serial EEPROM. The TWI is programmable as a master with sequential or single-byte access. A configurable baud rate generator permits the output data rate to be adapted to a wide range of core clock frequencies.

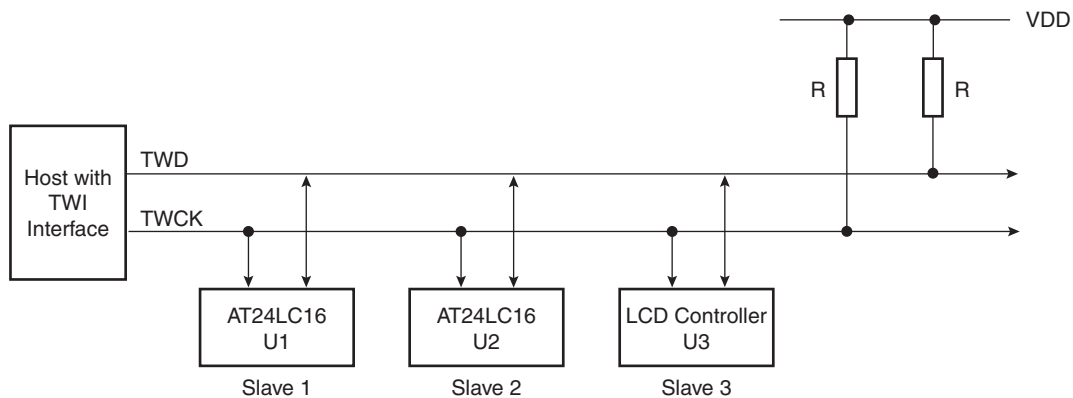
### 30.2 Block Diagram

Figure 30-1. Block Diagram



### 30.3 Application Block Diagram

Figure 30-2. Application Block Diagram



## 30.4 Product Dependencies

### 30.4.1 I/O Lines Description

**Table 30-1.** I/O Lines Description

| Pin Name | Pin Description       | Type         |
|----------|-----------------------|--------------|
| TWD      | Two-wire Serial Data  | Input/Output |
| TWCK     | Two-wire Serial Clock | Input/Output |

### 30.4.2 I/O Lines

Both TWD and TWCK are bi-directional lines, connected to a positive supply voltage via a current source or pull-up resistor (see [Figure 30-2 on page 277](#)). When the bus is free, both lines are high. The output stages of devices connected to the bus must have an open-drain or open-collector to perform the wired-AND function.

TWD and TWCK pins may be multiplexed with PIO lines. To enable the TWI, the programmer must perform the following steps:

- Program the PIO controller to:
  - Dedicate TWD and TWCK as peripheral lines.
  - Define TWD and TWCK as open-drain.

### 30.4.3 Power Management

- Enable the peripheral clock.

The TWI interface may be clocked through the Power Management Controller (PMC), thus the programmer must first configure the PMC to enable the TWI clock.

### 30.4.4 Interrupt

The TWI interface has an interrupt line connected to the Advanced Interrupt Controller (AIC). In order to handle interrupts, the AIC must be programmed before configuring the TWI.

## 30.5 Functional Description

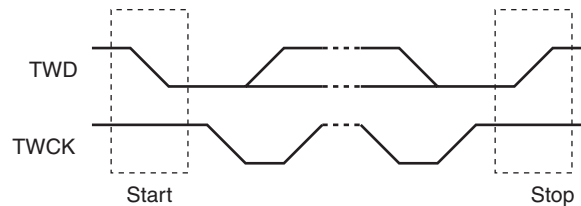
### 30.5.1 Transfer format

The data put on the TWD line must be 8 bits long. Data is transferred MSB first; each byte must be followed by an acknowledgement. The number of bytes per transfer is unlimited (see [Figure 30-4 on page 279](#)).

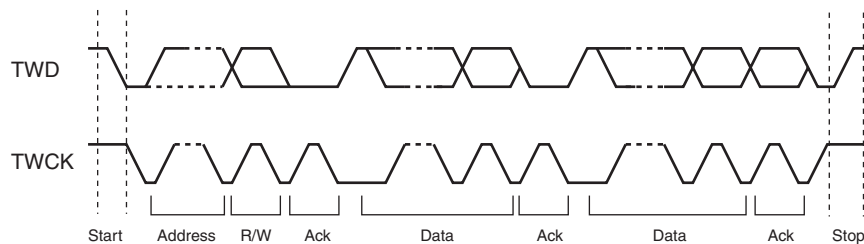
Each transfer begins with a START condition and terminates with a STOP condition (see [Figure 30-3 on page 279](#)).

- A high-to-low transition on the TWD line while TWCK is high defines the START condition.
- A low-to-high transition on the TWD line while TWCK is high defines a STOP condition.

**Figure 30-3.** START and STOP Conditions



**Figure 30-4.** Transfer Format



### 30.5.2 Modes of Operation

The TWI has two modes of operation:

- Master transmitter mode
- Master receiver mode

The TWI Control Register (TWI\_CR) allows configuration of the interface in Master Mode. In this mode, it generates the clock according to the value programmed in the Clock Waveform Generator Register (TWI\_CWGR). This register defines the TWCK signal completely, enabling the interface to be adapted to a wide range of clocks.

### 30.5.3 Transmitting Data

After the master initiates a Start condition, it sends a 7-bit slave address, configured in the Master Mode register (DADR in TWI\_MMR), to notify the slave device. The bit following the slave address indicates the transfer direction (write or read). If this bit is 0, it indicates a write operation (transmit operation). If the bit is 1, it indicates a request for data read (receive operation).

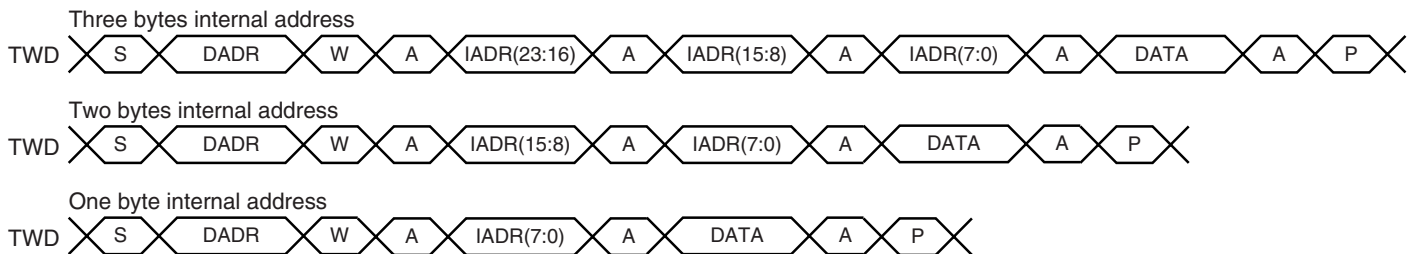
The TWI transfers require the slave to acknowledge each received byte. During the acknowledge clock pulse, the master releases the data line (HIGH), enabling the slave to pull it down in order to generate the acknowledge. The master polls the data line during this clock pulse and

sets the **NAK** bit in the status register if the slave does not acknowledge the byte. As with the other status bits, an interrupt can be generated if enabled in the interrupt enable register (TWI\_IER). After writing in the transmit-holding register (TWI\_THR), setting the START bit in the control register starts the transmission. The data is shifted in the internal shifter and when an acknowledge is detected, the TXRDY bit is set until a new write in the TWI\_THR (see Figure 30-6 below). The master generates a stop condition to end the transfer.

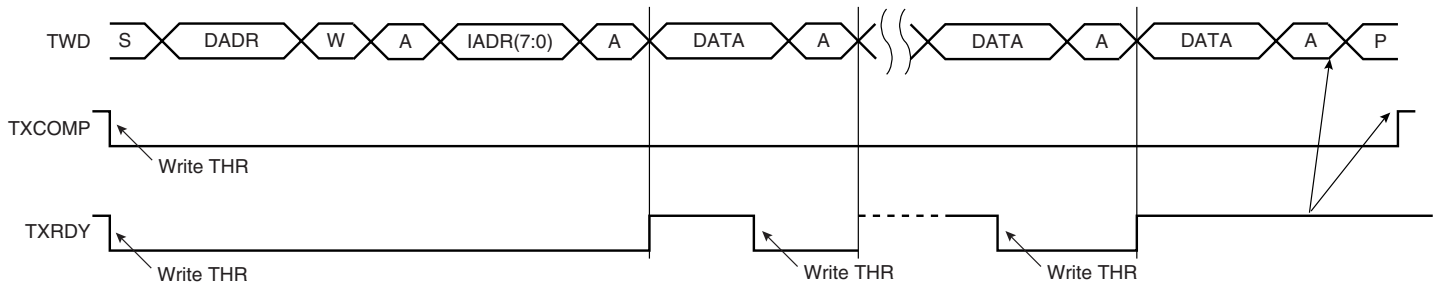
The read sequence begins by setting the START bit. When the RXRDY bit is set in the status register, a character has been received in the receive-holding register (TWI\_RHR). The RXRDY bit is reset when reading the TWI\_RHR.

The TWI interface performs various transfer formats (7-bit slave address, 10-bit slave address). The three internal address bytes are configurable through the Master Mode register (TWI\_MMR). If the slave device supports only a 7-bit address, **IADRSZ** must be set to 0. For a slave address higher than 7 bits, the user must configure the address size (**IADRSZ**) and set the other slave address bits in the internal address register (TWI\_IADR).

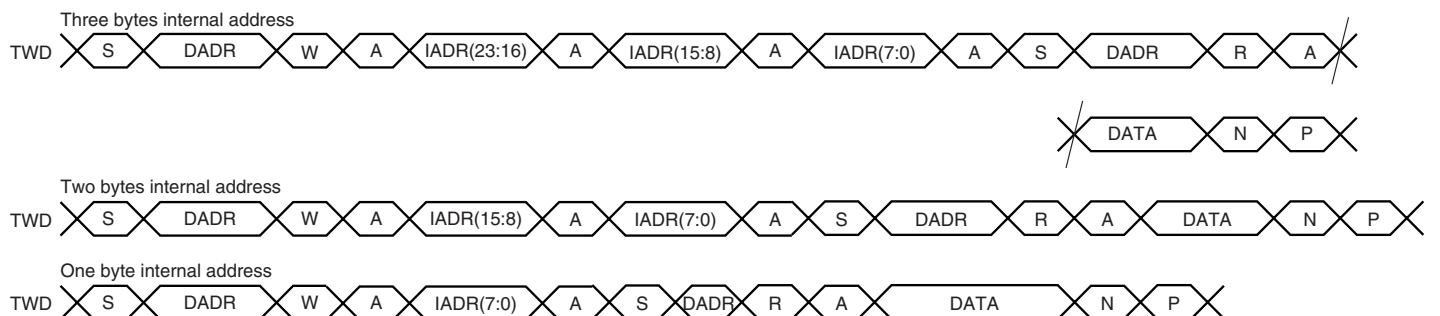
**Figure 30-5.** Master Write with One, Two or Three Bytes Internal Address and One Data Byte



**Figure 30-6.** Master Write with One Byte Internal Address and Multiple Data Bytes

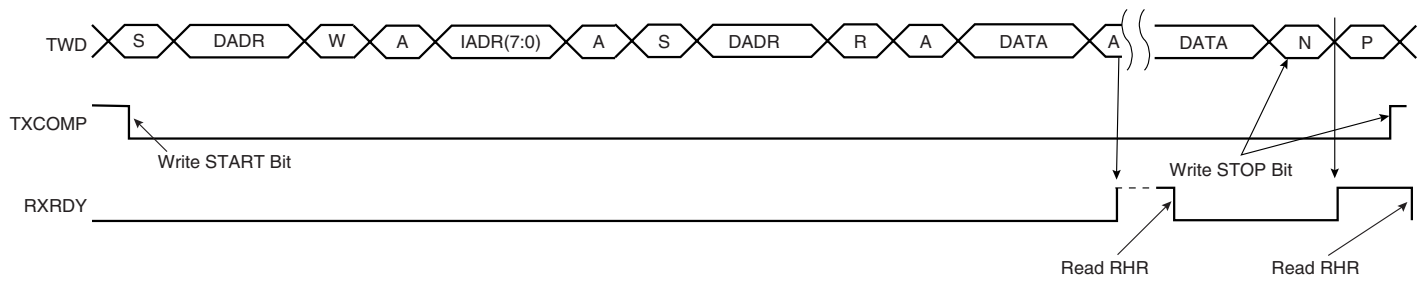


**Figure 30-7.** Master Read with One, Two or Three Bytes Internal Address and One Data Byte





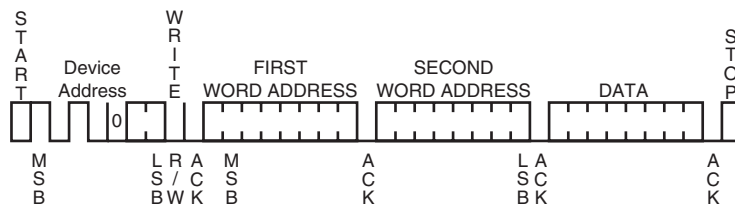
**Figure 30-8.** Master Read with One Byte Internal Address and Multiple Data Bytes



- S = Start
- P = Stop
- W = Write
- R = Read
- A = Acknowledge
- N = Not Acknowledge
- DADR= Device Address
- IADR = Internal Address

Figure 30-9 below shows a byte write to an Atmel AT24LC512 EEPROM. This demonstrates the use of internal addresses to access the device.

**Figure 30-9.** Internal Address Usage



### 30.5.4 Read/Write Flowcharts

The following flowcharts shown in [Figure 30-10](#) and in [Figure 30-11 on page 283](#) give examples for read and write operations in Master Mode. A polling or interrupt method can be used to check the status bits. The interrupt method requires that the interrupt enable register (TWI\_IER) be configured first.

**Figure 30-10.** TWI Write in Master Mode

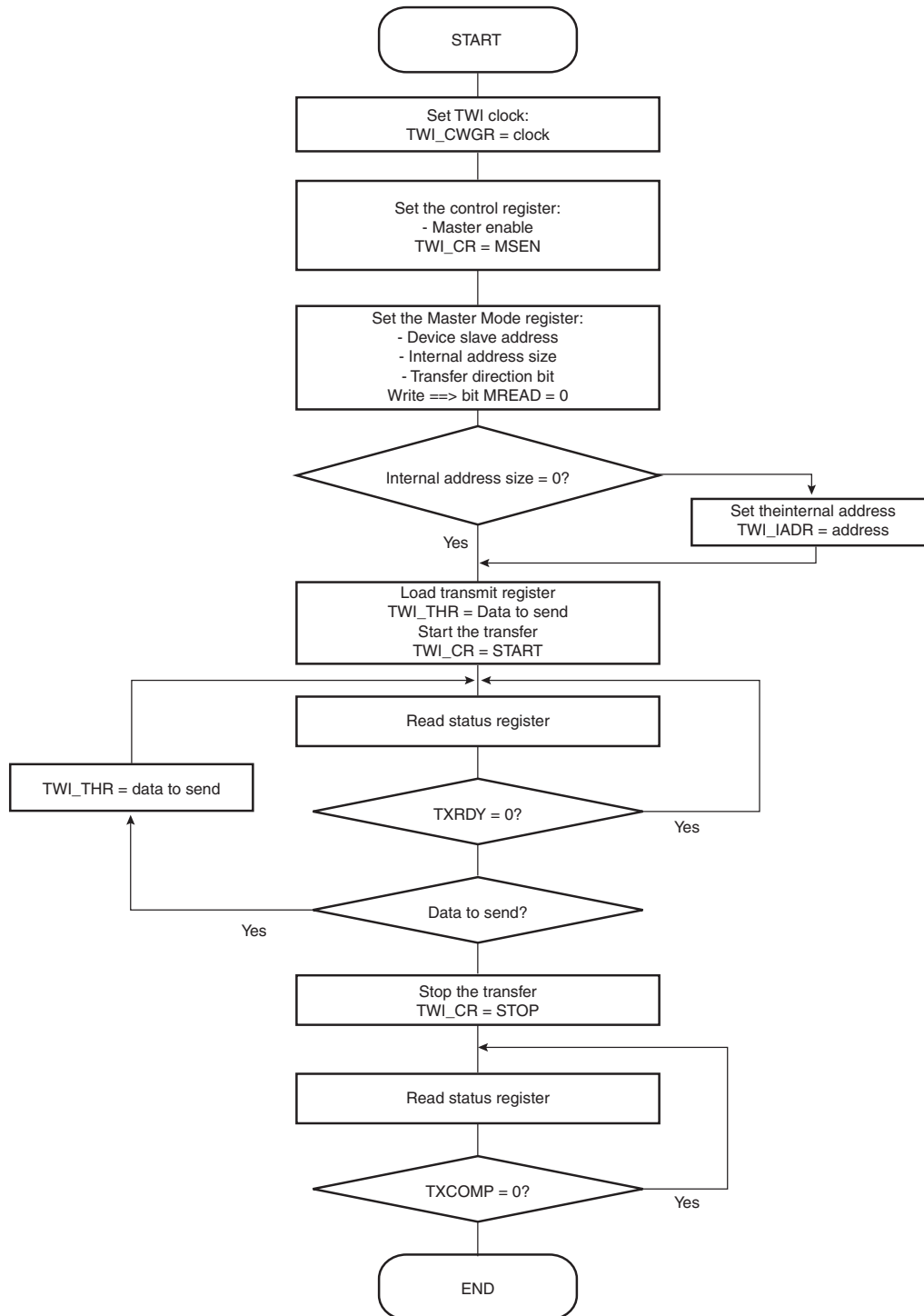
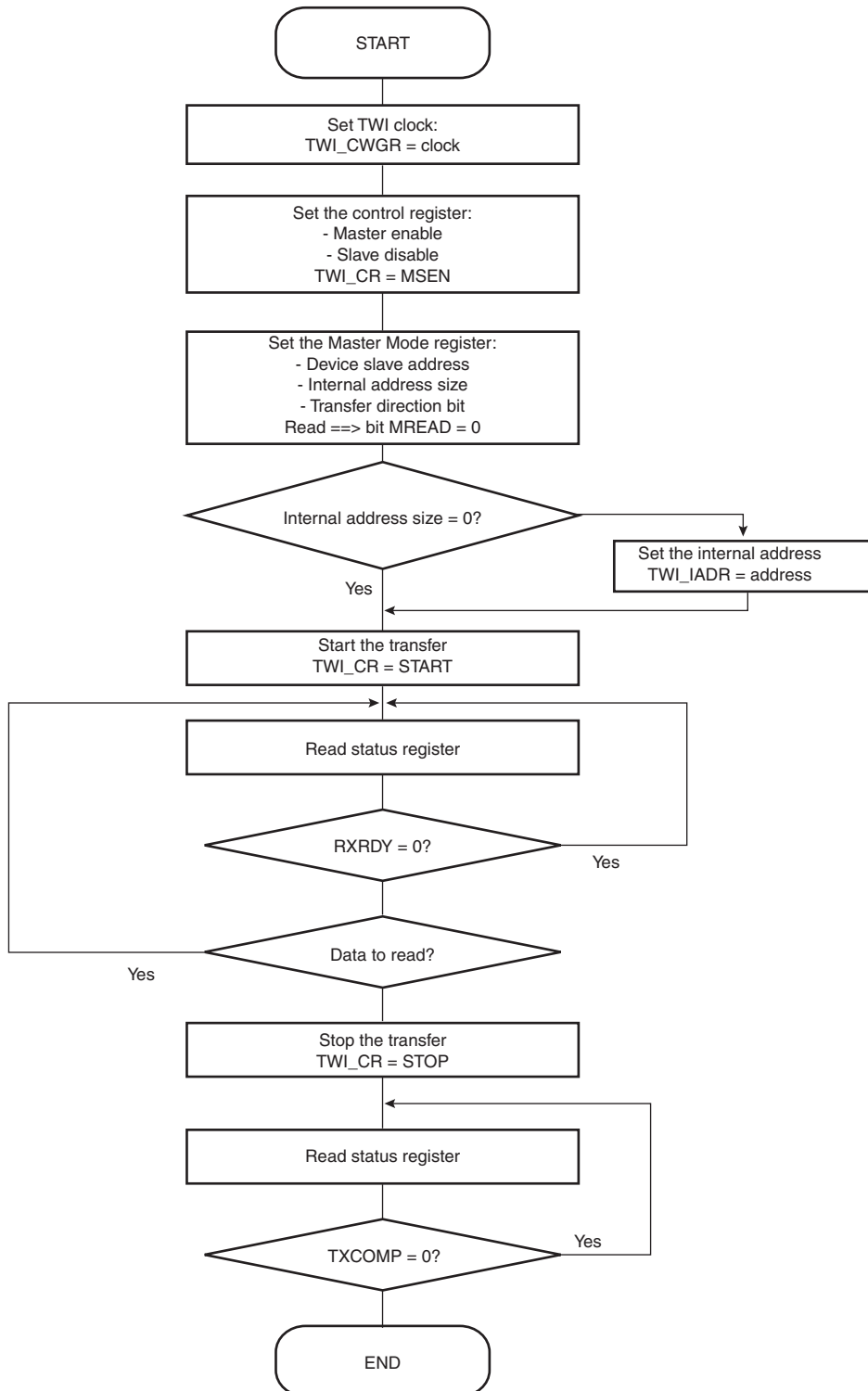


Figure 30-11. TWI Read in Master Mode



## 30.6 TWI User Interface

### 30.6.1 Register Mapping

**Table 30-2.** Two-wire Interface (TWI) User Interface

| Offset          | Register                          | Name     | Access     | Reset Value |
|-----------------|-----------------------------------|----------|------------|-------------|
| 0x0000          | Control Register                  | TWI_CR   | Write-only | N/A         |
| 0x0004          | Master Mode Register              | TWI_MMR  | Read/Write | 0x0000      |
| 0x0008          | Reserved                          | -        | -          | -           |
| 0x000C          | Internal Address Register         | TWI_IADR | Read/Write | 0x0000      |
| 0x0010          | Clock Waveform Generator Register | TWI_CWGR | Read/Write | 0x0000      |
| 0x0020          | Status Register                   | TWI_SR   | Read-only  | 0x0008      |
| 0x0024          | Interrupt Enable Register         | TWI_IER  | Write-only | N/A         |
| 0x0028          | Interrupt Disable Register        | TWI_IDR  | Write-only | N/A         |
| 0x002C          | Interrupt Mask Register           | TWI_IMR  | Read-only  | 0x0000      |
| 0x0030          | Receive Holding Register          | TWI_RHR  | Read-only  | 0x0000      |
| 0x0034          | Transmit Holding Register         | TWI_THR  | Read/Write | 0x0000      |
| 0x0038 - 0x00FC | Reserved                          | -        | -          | -           |

## 30.6.2 TWI Control Register

**Register Name:** TWI\_CR

**Access Type:** Write-only

|       |    |    |    |       |      |      |       |
|-------|----|----|----|-------|------|------|-------|
| 31    | 30 | 29 | 28 | 27    | 26   | 25   | 24    |
| –     | –  | –  | –  | –     | –    | –    | –     |
| 23    | 22 | 21 | 20 | 19    | 18   | 17   | 16    |
| –     | –  | –  | –  | –     | –    | –    | –     |
| 15    | 14 | 13 | 12 | 11    | 10   | 9    | 8     |
| –     | –  | –  | –  | –     | –    | –    | –     |
| 7     | 6  | 5  | 4  | 3     | 2    | 1    | 0     |
| SWRST | –  | –  | –  | MSDIS | MSEN | STOP | START |

- **START: Send a START Condition**

0 = No effect.

1 = A frame beginning with a START bit is transmitted according to the features defined in the mode register.

This action is necessary when the TWI peripheral wants to read data from a slave. When configured in Master Mode with a write operation, a frame is sent with the mode register as soon as the user writes a character in the holding register.

- **STOP: Send a STOP Condition**

0 = No effect.

1 = STOP Condition is sent just after completing the current byte transmission in master read or write mode.

In single data byte master read or write, the START and STOP must both be set.

In multiple data bytes master read or write, the STOP must be set before ACK/NACK bit transmission.

In master read mode, if a NACK bit is received, the STOP is automatically performed.

In multiple data write operation, when both THR and shift register are empty, a STOP condition is automatically sent.

- **MSEN: TWI Master Transfer Enabled**

0 = No effect.

1 = If MSDIS = 0, the master data transfer is enabled.

- **MSDIS: TWI Master Transfer Disabled**

0 = No effect.

1 = The master data transfer is disabled, all pending data is transmitted. The shifter and holding characters (if they contain data) are transmitted in case of write operation. In read operation, the character being transferred must be completely received before disabling.

- **SWRST: Software Reset**

0 = No effect.

1 = Equivalent to a system reset.

### 30.6.3 TWI Master Mode Register

**Register Name:** TWI\_MMR

**Address Type:** Read/Write

|    |      |    |       |    |    |        |    |
|----|------|----|-------|----|----|--------|----|
| 31 | 30   | 29 | 28    | 27 | 26 | 25     | 24 |
| –  | –    | –  | –     | –  | –  | –      | –  |
| 23 | 22   | 21 | 20    | 19 | 18 | 17     | 16 |
| –  | DADR |    |       |    |    |        |    |
| 15 | 14   | 13 | 12    | 11 | 10 | 9      | 8  |
| –  | –    | –  | MREAD | –  | –  | IADRSZ |    |
| 7  | 6    | 5  | 4     | 3  | 2  | 1      | 0  |
| –  | –    | –  | –     | –  | –  | –      | –  |

- **IADRSZ: Internal Device Address Size**

**Table 30-3.**

| IADRSZ[9:8] |   |  |
|-------------|---|--|
| 0           | 0 | No internal device address (Byte command protocol) |
| 0           | 1 | One-byte internal device address                   |
| 1           | 0 | Two-byte internal device address                   |
| 1           | 1 | Three-byte internal device address                 |

- **MREAD: Master Read Direction**

0 = Master write direction.

1 = Master read direction.

- **DADR: Device Address**

The device address is used in Master Mode to access slave devices in read or write mode.

## 30.6.4 TWI Internal Address Register

**Register Name:** TWI\_IADR

**Access Type:** Read/Write

|      |    |    |    |    |    |    |    |
|------|----|----|----|----|----|----|----|
| 31   | 30 | 29 | 28 | 27 | 26 | 25 | 24 |
| –    | –  | –  | –  | –  | –  | –  | –  |
| 23   | 22 | 21 | 20 | 19 | 18 | 17 | 16 |
| IADR |    |    |    |    |    |    |    |
| 15   | 14 | 13 | 12 | 11 | 10 | 9  | 8  |
| IADR |    |    |    |    |    |    |    |
| 7    | 6  | 5  | 4  | 3  | 2  | 1  | 0  |
| IADR |    |    |    |    |    |    |    |

- **IADR: Internal Address**

0, 1, 2 or 3 bytes depending on IADRSZ.

- Low significant byte address in 10-bit mode addresses.

### 30.6.5 TWI Clock Waveform Generator Register

**Register Name:** TWI\_CWGR

**Access Type:** Read/Write

|       |    |    |    |    |       |    |    |
|-------|----|----|----|----|-------|----|----|
| 31    | 30 | 29 | 28 | 27 | 26    | 25 | 24 |
| –     | –  | –  | –  | –  | –     | –  | –  |
| 23    | 22 | 21 | 20 | 19 | 18    | 17 | 16 |
| –     | –  | –  | –  | –  | CKDIV |    |    |
| 15    | 14 | 13 | 12 | 11 | 10    | 9  | 8  |
| CHDIV |    |    |    |    |       |    |    |
| 7     | 6  | 5  | 4  | 3  | 2     | 1  | 0  |
| CLDIV |    |    |    |    |       |    |    |

- **CLDIV: Clock Low Divider**

The SCL low period is defined as follows:

$$T_{low} = ((CLDIV \times 2^{CKDIV}) + 3) \times T_{MCK}$$

- **CHDIV: Clock High Divider**

The SCL high period is defined as follows:

$$T_{high} = ((CHDIV \times 2^{CKDIV}) + 3) \times T_{MCK}$$

- **CKDIV: Clock Divider**

The CKDIV is used to increase both SCL high and low periods.



## 30.6.6 TWI Status Register

**Register Name:** TWI\_SR

**Access Type:** Read-only

|      |      |    |    |    |       |       |        |
|------|------|----|----|----|-------|-------|--------|
| 31   | 30   | 29 | 28 | 27 | 26    | 25    | 24     |
| –    | –    | –  | –  | –  | –     | –     | –      |
| 23   | 22   | 21 | 20 | 19 | 18    | 17    | 16     |
| –    | –    | –  | –  | –  | –     | –     | –      |
| 15   | 14   | 13 | 12 | 11 | 10    | 9     | 8      |
| –    | –    | –  | –  | –  | –     | –     | NACK   |
| 7    | 6    | 5  | 4  | 3  | 2     | 1     | 0      |
| UNRE | OVRE | –  | –  | –  | TXRDY | RXRDY | TXCOMP |

- **TXCOMP: Transmission Completed**

0 = In master, during the length of the current frame. In slave, from START received to STOP received.

1 = When both holding and shift registers are empty and STOP condition has been sent (in Master), or when MSEN is set (enable TWI).

- **RXRDY: Receive Holding Register Ready**

0 = No character has been received since the last TWI\_RHR read operation.

1 = A byte has been received in the TWI\_RHR since the last read.

- **TXRDY: Transmit Holding Register Ready**

0 = The transmit holding register has not been transferred into shift register. Set to 0 when writing into TWI\_THR register.

1 = As soon as data byte is transferred from TWI\_THR to internal shifter or if a NACK error is detected, TXRDY is set at the same time as TXCOMP and NACK. TXRDY is also set when MSEN is set (enable TWI).

- **OVRE: Overrun Error**

0 = TWI\_RHR has not been loaded while RXRDY was set

1 = TWI\_RHR has been loaded while RXRDY was set. Reset by read in TWI\_SR when TXCOMP is set.

- **UNRE: Underrun Error**

0 = No underrun error

1 = No valid data in TWI\_THR (TXRDY set) while trying to load the data shifter. This action automatically generated a STOP bit in Master Mode. Reset by read in TWI\_SR when TXCOMP is set.

- **NACK: Not Acknowledged**

0 = Each data byte has been correctly received by the far-end side TWI slave component.

1 = A data byte has not been acknowledged by the slave component. Set at the same time as TXCOMP. Reset after read.



### 30.6.7 TWI Interrupt Enable Register

Register Name: TWI\_IER

Access Type: Write-only

|      |      |    |    |    |       |       |        |
|------|------|----|----|----|-------|-------|--------|
| 31   | 30   | 29 | 28 | 27 | 26    | 25    | 24     |
| –    | –    | –  | –  | –  | –     | –     | –      |
| 23   | 22   | 21 | 20 | 19 | 18    | 17    | 16     |
| –    | –    | –  | –  | –  | –     | –     | –      |
| 15   | 14   | 13 | 12 | 11 | 10    | 9     | 8      |
| –    | –    | –  | –  | –  | –     | –     | NACK   |
| 7    | 6    | 5  | 4  | 3  | 2     | 1     | 0      |
| UNRE | OVRE | –  | –  | –  | TXRDY | RXRDY | TXCOMP |

- **TXCOMP: Transmission Completed**
- **RXRDY: Receive Holding Register Ready**
- **TXRDY: Transmit Holding Register Ready**
- **OVRE: Overrun Error**
- **UNRE: Underrun Error**
- **NACK: Not Acknowledge**

0 = No effect.

1 = Enables the corresponding interrupt.

## 30.6.8 TWI Interrupt Disable Register

**Register Name:** TWI\_IDR

**Access Type:** Write-only

|      |      |    |    |    |       |       |        |
|------|------|----|----|----|-------|-------|--------|
| 31   | 30   | 29 | 28 | 27 | 26    | 25    | 24     |
| –    | –    | –  | –  | –  | –     | –     | –      |
| 23   | 22   | 21 | 20 | 19 | 18    | 17    | 16     |
| –    | –    | –  | –  | –  | –     | –     | –      |
| 15   | 14   | 13 | 12 | 11 | 10    | 9     | 8      |
| –    | –    | –  | –  | –  | –     | –     | NACK   |
| 7    | 6    | 5  | 4  | 3  | 2     | 1     | 0      |
| UNRE | OVRE | –  | –  | –  | TXRDY | RXRDY | TXCOMP |

- **TXCOMP:** Transmission Completed
- **RXRDY:** Receive Holding Register Ready
- **TXRDY:** Transmit Holding Register Ready
- **OVRE:** Overrun Error
- **UNRE:** Underrun Error
- **NACK:** Not Acknowledge

0 = No effect.

1 = Disables the corresponding interrupt.



### 30.6.9 TWI Interrupt Mask Register

Register Name: TWI\_IMR

Access Type: Read-only

|      |      |    |    |    |       |       |        |
|------|------|----|----|----|-------|-------|--------|
| 31   | 30   | 29 | 28 | 27 | 26    | 25    | 24     |
| –    | –    | –  | –  | –  | –     | –     | –      |
| 23   | 22   | 21 | 20 | 19 | 18    | 17    | 16     |
| –    | –    | –  | –  | –  | –     | –     | –      |
| 15   | 14   | 13 | 12 | 11 | 10    | 9     | 8      |
| –    | –    | –  | –  | –  | –     | –     | NACK   |
| 7    | 6    | 5  | 4  | 3  | 2     | 1     | 0      |
| UNRE | OVRE | –  | –  | –  | TXRDY | RXRDY | TXCOMP |

- **TXCOMP: Transmission Completed**
- **RXRDY: Receive Holding Register Ready**
- **TXRDY: Transmit Holding Register Ready**
- **OVRE: Overrun Error**
- **UNRE: Underrun Error**
- **NACK: Not Acknowledge**

0 = The corresponding interrupt is disabled.

1 = The corresponding interrupt is enabled.

## 30.6.10 TWI Receive Holding Register

**Register Name:** TWI\_RHR

**Access Type:** Read-only

|        |    |    |    |    |    |    |    |
|--------|----|----|----|----|----|----|----|
| 31     | 30 | 29 | 28 | 27 | 26 | 25 | 24 |
| –      | –  | –  | –  | –  | –  | –  | –  |
| 23     | 22 | 21 | 20 | 19 | 18 | 17 | 16 |
| –      | –  | –  | –  | –  | –  | –  | –  |
| 15     | 14 | 13 | 12 | 11 | 10 | 9  | 8  |
| –      | –  | –  | –  | –  | –  | –  | –  |
| 7      | 6  | 5  | 4  | 3  | 2  | 1  | 0  |
| RXDATA |    |    |    |    |    |    |    |

- **RXDATA: Master or Slave Receive Holding Data**



**30.6.11 TWI Transmit Holding Register**

**Register Name:** TWI\_THR

**Access Type:** Read/Write

|        |    |    |    |    |    |    |    |
|--------|----|----|----|----|----|----|----|
| 31     | 30 | 29 | 28 | 27 | 26 | 25 | 24 |
| -      | -  | -  | -  | -  | -  | -  | -  |
| 23     | 22 | 21 | 20 | 19 | 18 | 17 | 16 |
| -      | -  | -  | -  | -  | -  | -  | -  |
| 15     | 14 | 13 | 12 | 11 | 10 | 9  | 8  |
| -      | -  | -  | -  | -  | -  | -  | -  |
| 7      | 6  | 5  | 4  | 3  | 2  | 1  | 0  |
| TXDATA |    |    |    |    |    |    |    |

- **TXDATA: Master or Slave Transmit Holding Data**



## **31. Universal Synchronous Asynchronous Receiver Transmitter (USART)**

### **31.1 Overview**

The Universal Synchronous Asynchronous Receiver Transceiver (USART) provides one full duplex universal synchronous asynchronous serial link. Data frame format is widely programmable (data length, parity, number of stop bits) to support a maximum of standards. The receiver implements parity error, framing error and overrun error detection. The receiver timeout enables handling variable-length frames and the transmitter timeguard facilitates communications with slow remote devices. Multidrop communications are also supported through address bit handling in reception and transmission.

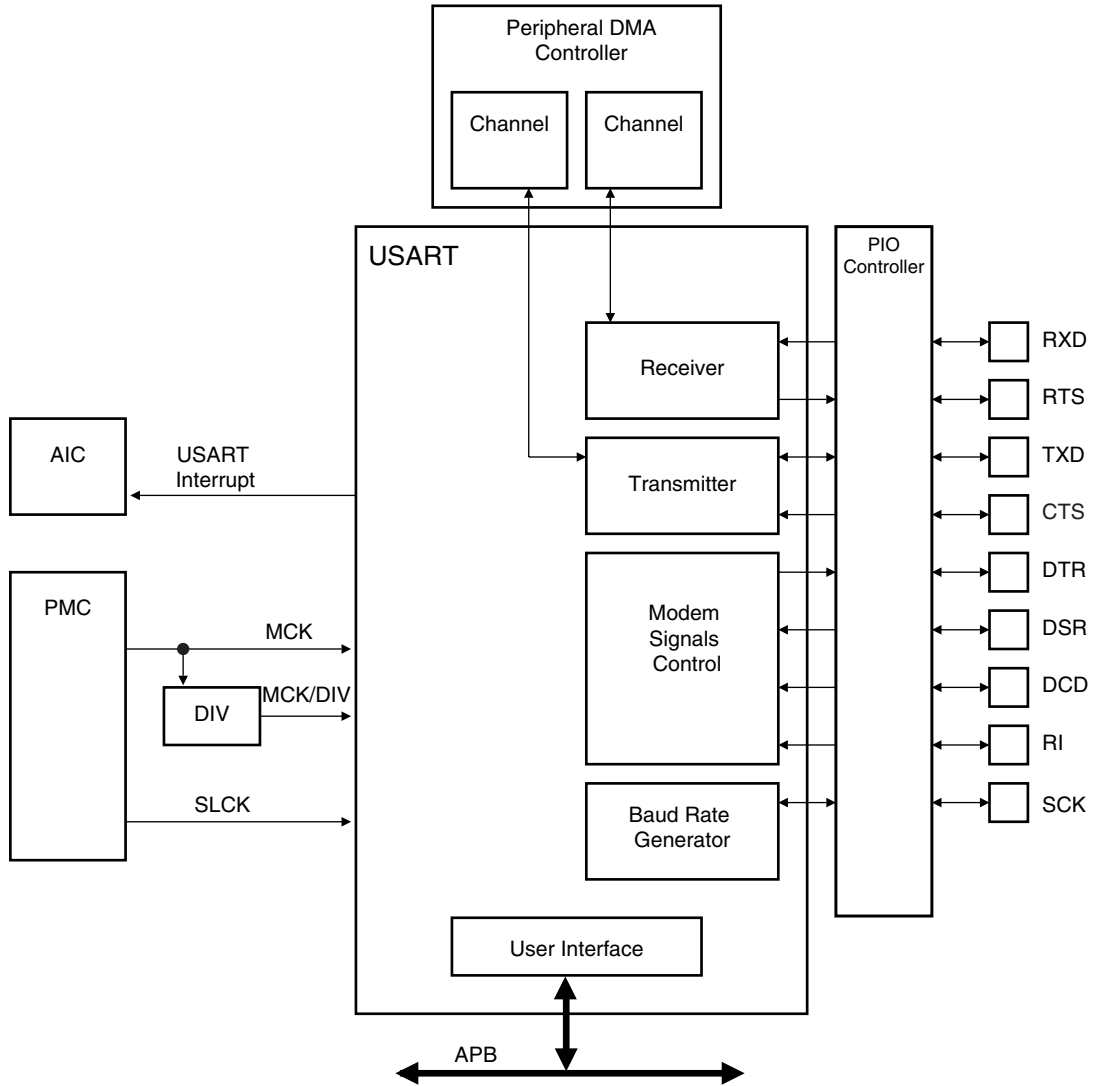
The USART features three test modes: remote loopback, local loopback and automatic echo.

The USART supports specific operating modes providing interfaces on RS485 buses, with ISO7816 T = 0 or T = 1 smart card slots, infrared transceivers and connection to modem ports. The hardware handshaking feature enables an out-of-band flow control by automatic management of the pins RTS and CTS.

The USART supports the connection to the Peripheral DMA Controller, which enables data transfers to the transmitter and from the receiver. The PDC provides chained buffer management without any intervention of the processor.

## 31.2 Block Diagram

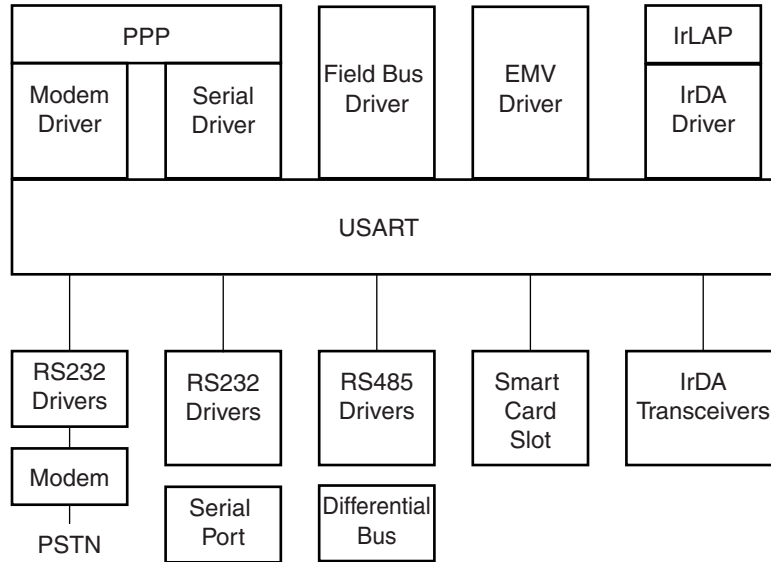
Figure 31-1. USART Block Diagram





## 31.3 Application Block Diagram

Figure 31-2. Application Block Diagram



## 31.4 I/O Lines Description

Table 31-1. I/O Line Description

| Name | Description          | Type   | Active Level |
|------|----------------------|--------|--------------|
| SCK  | Serial Clock         | I/O    |              |
| TXD  | Transmit Serial Data | I/O    |              |
| RXD  | Receive Serial Data  | Input  |              |
| RI   | Ring Indicator       | Input  | Low          |
| DSR  | Data Set Ready       | Input  | Low          |
| DCD  | Data Carrier Detect  | Input  | Low          |
| DTR  | Data Terminal Ready  | Output | Low          |
| CTS  | Clear to Send        | Input  | Low          |
| RTS  | Request to Send      | Output | Low          |

## 31.5 Product Dependencies

### 31.5.1 I/O Lines

The pins used for interfacing the USART may be multiplexed with the PIO lines. The programmer must first program the PIO controller to assign the desired USART pins to their peripheral function. If I/O lines of the USART are not used by the application, they can be used for other purposes by the PIO Controller.

All the pins of the modems may or may not be implemented on the USART within a product. Frequently, only the USART1 is fully equipped with all the modem signals. For the other USARTs of the product not equipped with the corresponding pin, the associated control bits and statuses have no effect on the behavior of the USART.

### 31.5.2 Power Management

The USART is not continuously clocked. The programmer must first enable the USART Clock in the Power Management Controller (PMC) before using the USART. However, if the application does not require USART operations, the USART clock can be stopped when not needed and be restarted later. In this case, the USART will resume its operations where it left off.

Configuring the USART does not require the USART clock to be enabled.

### 31.5.3 Interrupt

The USART interrupt line is connected on one of the internal sources of the Advanced Interrupt Controller. Using the USART interrupt requires the AIC to be programmed first. Note that it is not recommended to use the USART interrupt line in edge sensitive mode.

## 31.6 Functional Description

The USART is capable of managing several types of serial synchronous or asynchronous communications.

It supports the following communication modes:

- 5- to 9-bit full-duplex asynchronous serial communication
  - MSB- or LSB-first
  - 1, 1.5 or 2 stop bits
  - Parity even, odd, marked, space or none
  - By 8 or by 16 over-sampling receiver frequency
  - Optional hardware handshaking
  - Optional modem signals management
  - Optional break management
  - Optional multidrop serial communication
- High-speed 5- to 9-bit full-duplex synchronous serial communication
  - MSB- or LSB-first
  - 1 or 2 stop bits
  - Parity even, odd, marked, space or none
  - By 8 or by 16 over-sampling frequency
  - Optional hardware handshaking
  - Optional modem signals management
  - Optional break management
  - Optional multidrop serial communication
- RS485 with driver control signal
- ISO7816, T0 or T1 protocols for interfacing with smart cards
  - NACK handling, error counter with repetition and iteration limit
- InfraRed IrDA Modulation and Demodulation
- Test modes
  - Remote loopback, local loopback, automatic echo

### 31.6.1 Baud Rate Generator

The Baud Rate Generator provides the bit period clock named the Baud Rate Clock to both the receiver and the transmitter.

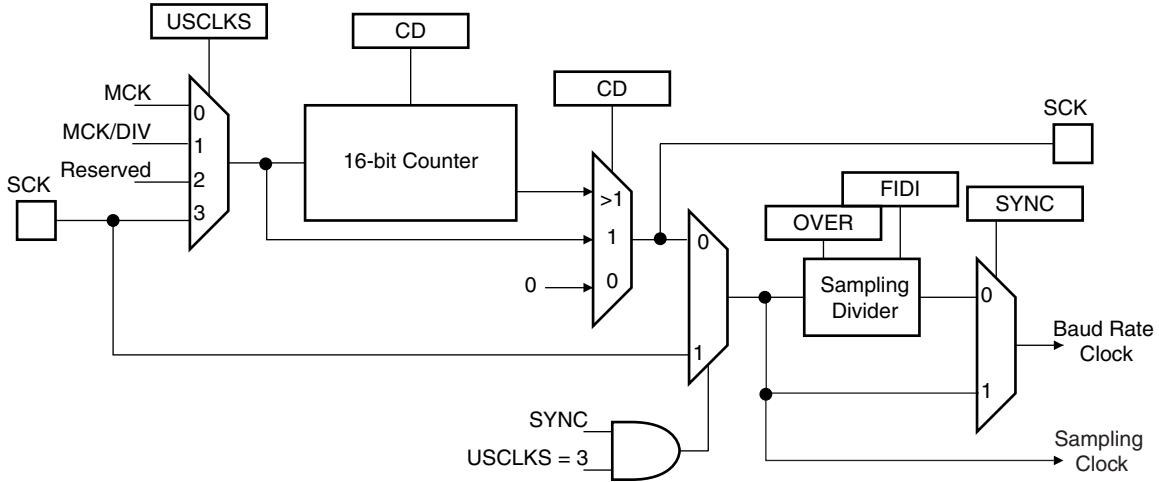
The Baud Rate Generator clock source can be selected by setting the USCLKS field in the Mode Register (US\_MR) between:

- the Master Clock MCK
- a division of the Master Clock, the divider being product dependent, but generally set to 8
- the external clock, available on the SCK pin

The Baud Rate Generator is based upon a 16-bit divider, which is programmed with the CD field of the Baud Rate Generator Register (US\_BRGR). If CD is programmed at 0, the Baud Rate Generator does not generate any clock. If CD is programmed at 1, the divider is bypassed and becomes inactive.

If the external SCK clock is selected, the duration of the low and high levels of the signal provided on the SCK pin must be longer than a Master Clock (MCK) period. The frequency of the signal provided on SCK must be at least 4.5 times lower than MCK.

**Figure 31-3.** Baud Rate Generator



**31.6.1.1 Baud Rate in Asynchronous Mode**

If the USART is programmed to operate in asynchronous mode, the selected clock is first divided by CD, which is field programmed in the Baud Rate Generator Register (US\_BRGR). The resulting clock is provided to the receiver as a sampling clock and then divided by 16 or 8, depending on the programming of the OVER bit in US\_MR.

If OVER is set to 1, the receiver sampling is 8 times higher than the baud rate clock. If OVER is cleared, the sampling is performed at 16 times the baud rate clock.

The following formula performs the calculation of the Baud Rate.

$$Baudrate = \frac{SelectedClock}{(8(2 - Over)CD)}$$

This gives a maximum baud rate of MCK divided by 8, assuming that MCK is the highest possible clock and that OVER is programmed at 1.

*Baud Rate Calculation Example*

Table 31-2 shows calculations of CD to obtain a baud rate at 38400 bauds for different source clock frequencies. This table also shows the actual resulting baud rate and the error.

**Table 31-2.** Baud Rate Example (OVER = 0)

| Source Clock | Expected Baud Rate | Calculation Result | CD | Actual Baud Rate | Error |
|--------------|--------------------|--------------------|----|------------------|-------|
| MHz          | Bit/s              |                    |    | Bit/s            |       |
| 3 686 400    | 38 400             | 6.00               | 6  | 38 400.00        | 0.00% |
| 4 915 200    | 38 400             | 8.00               | 8  | 38 400.00        | 0.00% |
| 5 000 000    | 38 400             | 8.14               | 8  | 39 062.50        | 1.70% |
| 7 372 800    | 38 400             | 12.00              | 12 | 38 400.00        | 0.00% |

**Table 31-2.** Baud Rate Example (OVER = 0) (Continued)

| Source Clock | Expected Baud Rate | Calculation Result | CD  | Actual Baud Rate | Error |
|--------------|--------------------|--------------------|-----|------------------|-------|
| 8 000 000    | 38 400             | 13.02              | 13  | 38 461.54        | 0.16% |
| 12 000 000   | 38 400             | 19.53              | 20  | 37 500.00        | 2.40% |
| 12 288 000   | 38 400             | 20.00              | 20  | 38 400.00        | 0.00% |
| 14 318 180   | 38 400             | 23.30              | 23  | 38 908.10        | 1.31% |
| 14 745 600   | 38 400             | 24.00              | 24  | 38 400.00        | 0.00% |
| 18 432 000   | 38 400             | 30.00              | 30  | 38 400.00        | 0.00% |
| 24 000 000   | 38 400             | 39.06              | 39  | 38 461.54        | 0.16% |
| 24 576 000   | 38 400             | 40.00              | 40  | 38 400.00        | 0.00% |
| 25 000 000   | 38 400             | 40.69              | 40  | 38 109.76        | 0.76% |
| 32 000 000   | 38 400             | 52.08              | 52  | 38 461.54        | 0.16% |
| 32 768 000   | 38 400             | 53.33              | 53  | 38 641.51        | 0.63% |
| 33 000 000   | 38 400             | 53.71              | 54  | 38 194.44        | 0.54% |
| 40 000 000   | 38 400             | 65.10              | 65  | 38 461.54        | 0.16% |
| 50 000 000   | 38 400             | 81.38              | 81  | 38 580.25        | 0.47% |
| 60 000 000   | 38 400             | 97.66              | 98  | 38 265.31        | 0.35% |
| 70 000 000   | 38 400             | 113.93             | 114 | 38 377.19        | 0.06% |

The baud rate is calculated with the following formula:

$$BaudRate = MCK / CD \times 16$$

The baud rate error is calculated with the following formula. It is not recommended to work with an error higher than 5%.

$$Error = 1 - \left( \frac{ExpectedBaudRate}{ActualBaudRate} \right)$$

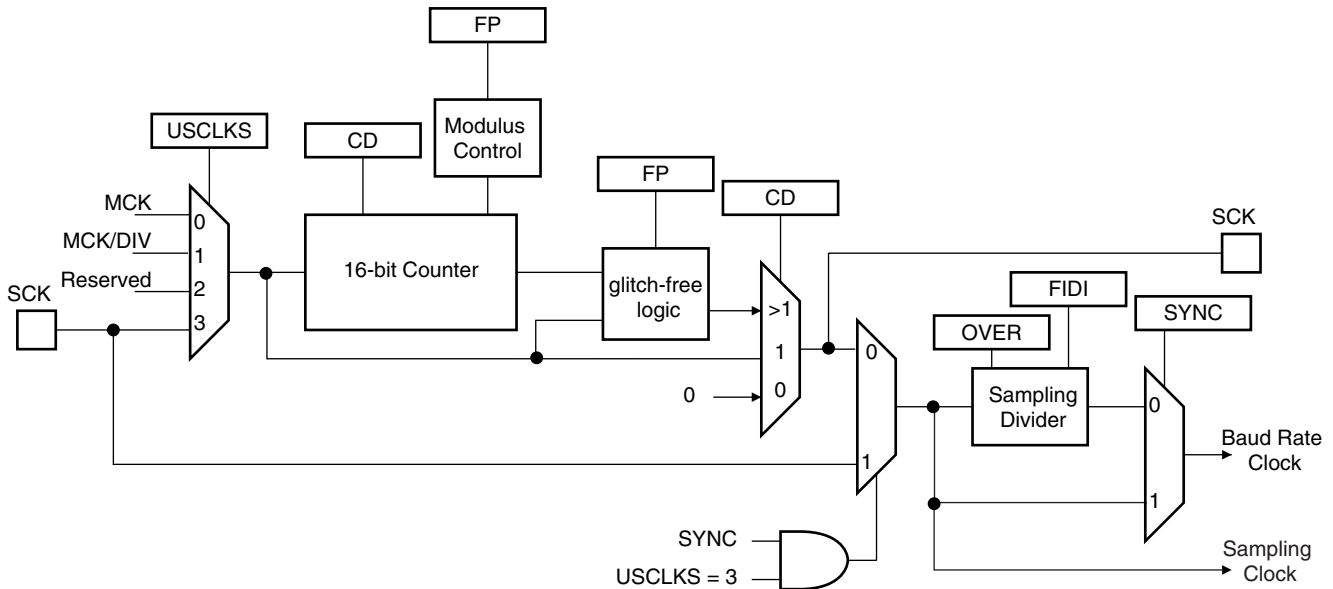
### 31.6.1.2 Fractional Baud Rate in Asynchronous Mode

The Baud Rate generator previously defined is subject to the following limitation: the output frequency changes by only integer multiples of the reference frequency. An approach to this problem is to integrate a fractional N clock generator that has a high resolution. The generator architecture is modified to obtain Baud Rate changes by a fraction of the reference source clock. This fractional part is programmed with the FP field in the Baud Rate Generator Register (US\_BRGR). If FP is not 0, the fractional part is activated. The resolution is one eighth of the clock divider. This feature is only available when using USART functional mode. The fractional Baud Rate is calculated using the following formula:

$$Baudrate = \frac{SelectedClock}{\left( 8(2 - Over) \left( CD + \frac{FP}{8} \right) \right)}$$

The modified architecture is presented below:

**Figure 31-4.** Fractional Baud Rate Generator



### 31.6.1.3 Baud Rate in Synchronous Mode

If the USART is programmed to operate in synchronous mode, the selected clock is simply divided by the field CD in US\_BRGR.

$$\text{BaudRate} = \frac{\text{SelectedClock}}{\text{CD}}$$

In synchronous mode, if the external clock is selected (USCLKS = 3), the clock is provided directly by the signal on the USART SCK pin. No division is active. The value written in US\_BRGR has no effect. The external clock frequency must be at least 4.5 times lower than the system clock.

When either the external clock SCK or the internal clock divided (MCK/DIV) is selected, the value programmed in CD must be even if the user has to ensure a 50:50 mark/space ratio on the SCK pin. If the internal clock MCK is selected, the Baud Rate Generator ensures a 50:50 duty cycle on the SCK pin, even if the value programmed in CD is odd.

### 31.6.1.4 Baud Rate in ISO 7816 Mode

The ISO7816 specification defines the bit rate with the following formula:

$$B = \frac{D_i}{F_i} \times f$$

where:

- B is the bit rate
- Di is the bit-rate adjustment factor
- Fi is the clock frequency division factor
- f is the ISO7816 clock frequency (Hz)

Di is a binary value encoded on a 4-bit field, named DI, as represented in [Table 31-3](#).

**Table 31-3.** Binary and Decimal Values for D

|              |      |      |      |      |      |      |      |      |
|--------------|------|------|------|------|------|------|------|------|
| DI field     | 0001 | 0010 | 0011 | 0100 | 0101 | 0110 | 1000 | 1001 |
| Di (decimal) | 1    | 2    | 4    | 8    | 16   | 32   | 12   | 20   |

Fi is a binary value encoded on a 4-bit field, named FI, as represented in [Table 31-4](#).

**Table 31-4.** Binary and Decimal Values for F

|              |      |      |      |      |      |      |      |      |      |      |      |      |
|--------------|------|------|------|------|------|------|------|------|------|------|------|------|
| FI field     | 0000 | 0001 | 0010 | 0011 | 0100 | 0101 | 0110 | 1001 | 1010 | 1011 | 1100 | 1101 |
| Fi (decimal) | 372  | 372  | 558  | 744  | 1116 | 1488 | 1860 | 512  | 768  | 1024 | 1536 | 2048 |

[Table 31-5](#) shows the resulting Fi/Di Ratio, which is the ratio between the ISO7816 clock and the baud rate clock.

**Table 31-5.** Possible Values for the Fi/Di Ratio

|       |       |       |       |       |      |       |       |      |       |      |       |
|-------|-------|-------|-------|-------|------|-------|-------|------|-------|------|-------|
| Fi/Di | 372   | 558   | 774   | 1116  | 1488 | 1806  | 512   | 768  | 1024  | 1536 | 2048  |
| 1     | 372   | 558   | 744   | 1116  | 1488 | 1860  | 512   | 768  | 1024  | 1536 | 2048  |
| 2     | 186   | 279   | 372   | 558   | 744  | 930   | 256   | 384  | 512   | 768  | 1024  |
| 4     | 93    | 139.5 | 186   | 279   | 372  | 465   | 128   | 192  | 256   | 384  | 512   |
| 8     | 46.5  | 69.75 | 93    | 139.5 | 186  | 232.5 | 64    | 96   | 128   | 192  | 256   |
| 16    | 23.25 | 34.87 | 46.5  | 69.75 | 93   | 116.2 | 32    | 48   | 64    | 96   | 128   |
| 32    | 11.62 | 17.43 | 23.25 | 34.87 | 46.5 | 58.13 | 16    | 24   | 32    | 48   | 64    |
| 12    | 31    | 46.5  | 62    | 93    | 124  | 155   | 42.66 | 64   | 85.33 | 128  | 170.6 |
| 20    | 18.6  | 27.9  | 37.2  | 55.8  | 74.4 | 93    | 25.6  | 38.4 | 51.2  | 76.8 | 102.4 |

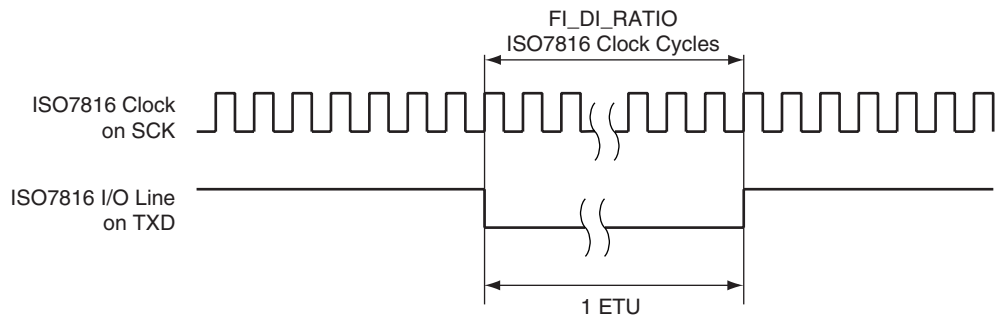
If the USART is configured in ISO7816 Mode, the clock selected by the USCLKS field in the Mode Register (US\_MR) is first divided by the value programmed in the field CD in the Baud Rate Generator Register (US\_BRGR). The resulting clock can be provided to the SCK pin to feed the smart card clock inputs. This means that the CLKO bit can be set in US\_MR.

This clock is then divided by the value programmed in the FI\_DI\_RATIO field in the FI\_DI\_Ratio register (US\_FIDI). This is performed by the Sampling Divider, which performs a division by up to 2047 in ISO7816 Mode. The non-integer values of the Fi/Di Ratio are not supported and the user must program the FI\_DI\_RATIO field to a value as close as possible to the expected value.

The FI\_DI\_RATIO field resets to the value 0x174 (372 in decimal) and is the most common divider between the ISO7816 clock and the bit rate (Fi = 372, Di = 1).

[Figure 31-5](#) shows the relation between the Elementary Time Unit, corresponding to a bit time, and the ISO 7816 clock.

**Figure 31-5.** Elementary Time Unit (ETU)



### 31.6.2 Receiver and Transmitter Control

After reset, the receiver is disabled. The user must enable the receiver by setting the RXEN bit in the Control Register (US\_CR). However, the receiver registers can be programmed before the receiver clock is enabled.

After reset, the transmitter is disabled. The user must enable it by setting the TXEN bit in the Control Register (US\_CR). However, the transmitter registers can be programmed before being enabled.

The Receiver and the Transmitter can be enabled together or independently.

At any time, the software can perform a reset on the receiver or the transmitter of the USART by setting the corresponding bit, RSTRX and RSTTX respectively, in the Control Register (US\_CR). The reset commands have the same effect as a hardware reset on the corresponding logic. Regardless of what the receiver or the transmitter is performing, the communication is immediately stopped.

The user can also independently disable the receiver or the transmitter by setting RXDIS and TXDIS respectively in US\_CR. If the receiver is disabled during a character reception, the USART waits until the end of reception of the current character, then the reception is stopped. If the transmitter is disabled while it is operating, the USART waits the end of transmission of both the current character and character being stored in the Transmit Holding Register (US\_THR). If a timeguard is programmed, it is handled normally.

### 31.6.3 Synchronous and Asynchronous Modes

#### 31.6.3.1 Transmitter Operations

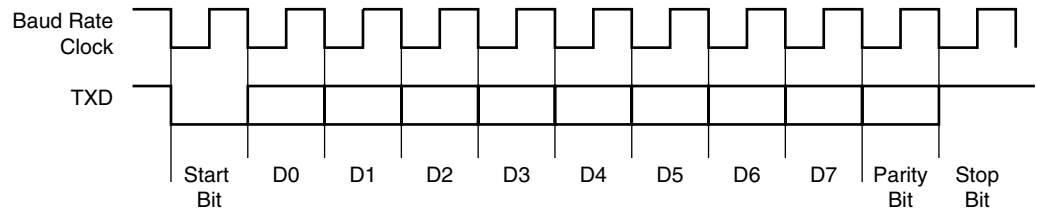
The transmitter performs the same in both synchronous and asynchronous operating modes (SYNC = 0 or SYNC = 1). One start bit, up to 9 data bits, one optional parity bit and up to two stop bits are successively shifted out on the TXD pin at each falling edge of the programmed serial clock.

The number of data bits is selected by the CHRL field and the MODE9 bit in the Mode Register (US\_MR). Nine bits are selected by setting the MODE 9 bit regardless of the CHRL field. The parity bit is set according to the PAR field in US\_MR. The even, odd, space, marked or none parity bit can be configured. The MSBF field in US\_MR configures which data bit is sent first. If written at 1, the most significant bit is sent first. At 0, the less significant bit is sent first. The number of stop bits is selected by the NBSTOP field in US\_MR. The 1.5 stop bit is supported in asynchronous mode only.



**Figure 31-6.** Character Transmit

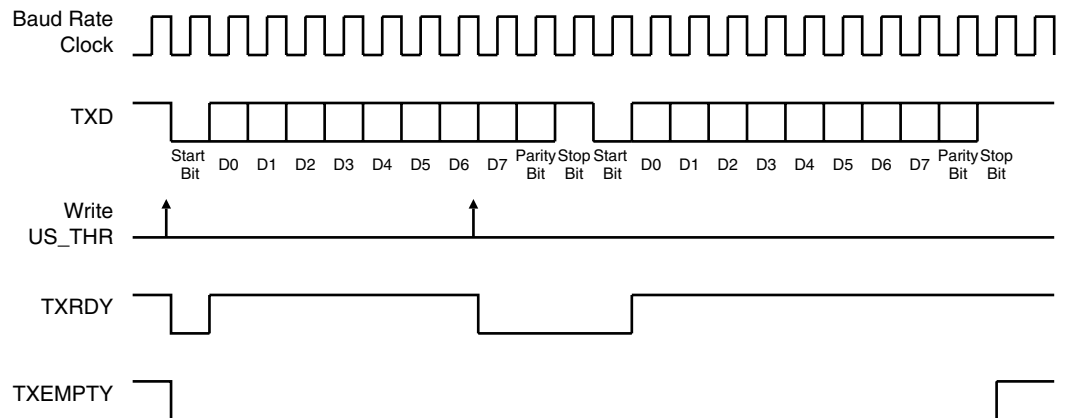
Example: 8-bit, Parity Enabled One Stop



The characters are sent by writing in the Transmit Holding Register (US\_THR). The transmitter reports two status bits in the Channel Status Register (US\_CSR): TXRDY (Transmitter Ready), which indicates that US\_THR is empty and TXEMPTY, which indicates that all the characters written in US\_THR have been processed. When the current character processing is completed, the last character written in US\_THR is transferred into the Shift Register of the transmitter and US\_THR becomes empty, thus TXRDY raises.

Both TXRDY and TXEMPTY bits are low since the transmitter is disabled. Writing a character in US\_THR while TXRDY is active has no effect and the written character is lost.

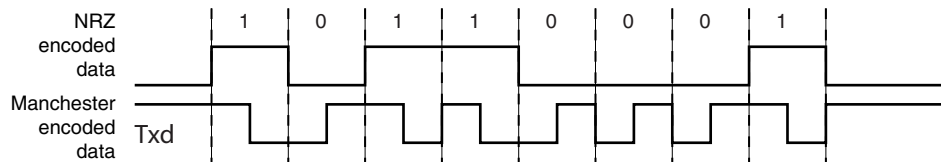
**Figure 31-7.** Transmitter Status



### 31.6.3.2 Manchester Encoder

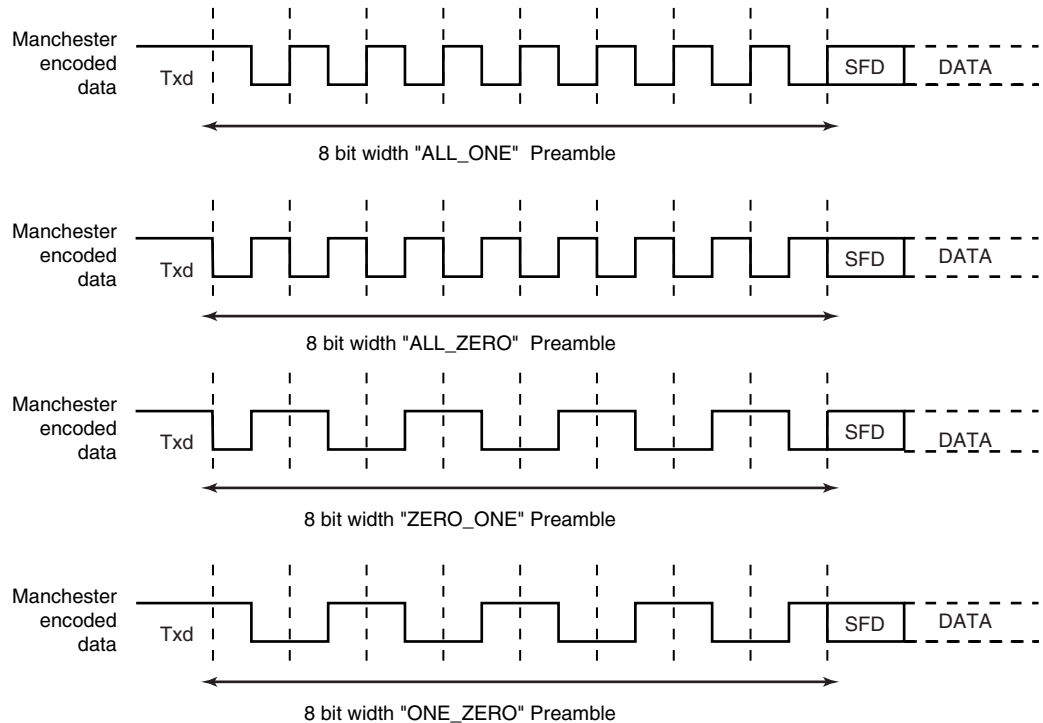
When the Manchester encoder is in use, characters transmitted through the USART are encoded based on biphase Manchester II format. To enable this mode, set the MAN field in the US\_MR register to 1. Depending on polarity configuration, a logic level (zero or one), is transmitted as a coded signal one-to-zero or zero-to-one. Thus, a transition always occurs at the midpoint of each bit time. It consumes more bandwidth than the original NRZ signal (2x) but the receiver has more error control since the expected input must show a change at the center of a bit cell. An example of Manchester encoded sequence is: the byte 0xB1 or 10110001 encodes to 10 01 10 10 01 01 01 10, assuming the default polarity of the encoder. [Figure 31-8](#) illustrates this coding scheme.

**Figure 31-8.** NRZ to Manchester Encoding



The Manchester encoded character can also be encapsulated by adding both a configurable preamble and a start frame delimiter pattern. Depending on the configuration, the preamble is a training sequence, composed of a pre-defined pattern with a programmable length from 1 to 15 bit times. If the preamble length is set to 0, the preamble waveform is not generated prior to any character. The preamble pattern is chosen among the following sequences: ALL\_ONE, ALL\_ZERO, ONE\_ZERO or ZERO\_ONE, writing the field TX\_PP in the US\_MAN register, the field TX\_PL is used to configure the preamble length. Figure 31-9 illustrates and defines the valid patterns. To improve flexibility, the encoding scheme can be configured using the TX\_MPOL field in the US\_MAN register. If the TX\_MPOL field is set to zero (default), a logic zero is encoded with a zero-to-one transition and a logic one is encoded with a one-to-zero transition. If the TX\_MPOL field is set to one, a logic one is encoded with a one-to-zero transition and a logic zero is encoded with a zero-to-one transition.

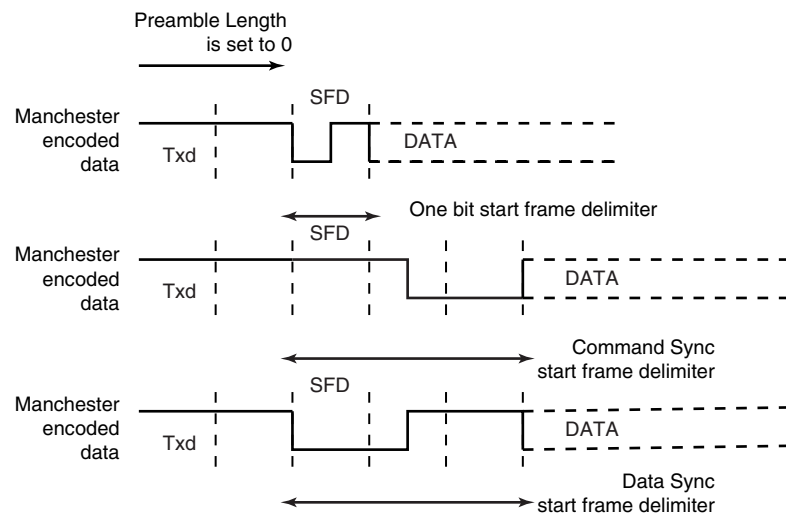
**Figure 31-9.** Preamble Patterns, Default Polarity Assumed



A start frame delimiter is to be configured using the ONEBIT field in the US\_MR register. It consists of a user-defined pattern that indicates the beginning of a valid data. Figure 31-10 illustrates these patterns. If the start frame delimiter, also known as start bit, is one bit, (ONEBIT at 1), a logic zero is Manchester encoded and indicates that a new character is being sent serially on the line. If the start frame delimiter is a synchronization pattern also referred to as sync (ONEBIT at 0), a sequence of 3 bit times is sent serially on the line to indicate the start

of a new character. The sync waveform is in itself an invalid Manchester waveform as the transition occurs at the middle of the second bit time. Two distinct sync patterns are used: the command sync and the data sync. The command sync has a logic one level for one and a half bit times, then a transition to logic zero for the second one and a half bit times. If the SYNC field in the US\_MR register is set to 1, the next character is a command. If it is set to 0, the next character is a data. When direct memory access is used, the SYNC field can be immediately updated with a modified character located in memory. To enable this mode, VAR\_SYNC in US\_MR register must be set to 1. In this case, the SYNC field in US\_MR is bypassed and the sync configuration is held in the TXSYNH in the US\_THR register. The USART character format is modified and includes sync information.

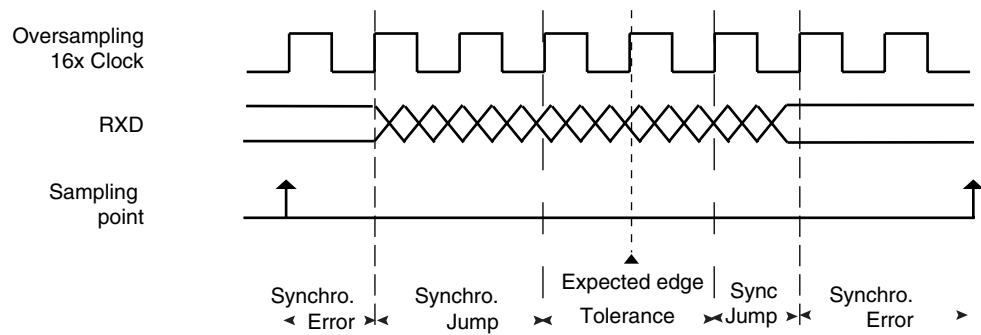
**Figure 31-10.** Start Frame Delimiter



## Drift Compensation

Drift compensation is available only in 16X oversampling mode. An hardware recovery system allows a larger clock drift. To enable the hardware system, the bit in the USART\_MAN register must be set. If the RXD edge is one 16X clock cycle from the expected edge, this is considered as normal jitter and no corrective actions is taken. If the RXD event is between 4 and 2 clock cycles before the expected edge, then the current period is shortened by one clock cycle. If the RXD event is between 2 and 3 clock cycles after the expected edge, then the current period is lengthened by one clock cycle. These intervals are considered to be drift and so corrective actions are automatically taken.

**Figure 31-11. Bit Resynchronization**



### 31.6.3.3 Asynchronous Receiver

If the USART is programmed in asynchronous operating mode ( $SYNC = 0$ ), the receiver oversamples the RXD input line. The oversampling is either 16 or 8 times the Baud Rate clock, depending on the OVER bit in the Mode Register (US\_MR).

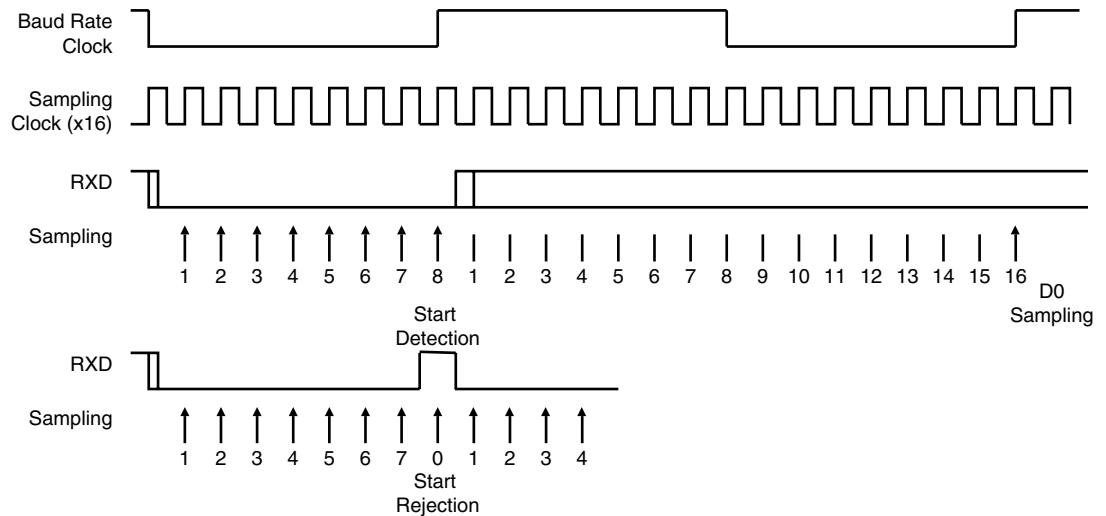
The receiver samples the RXD line. If the line is sampled during one half of a bit time at 0, a start bit is detected and data, parity and stop bits are successively sampled on the bit rate clock.

If the oversampling is 16, (OVER at 0), a start is detected at the eighth sample at 0. Then, data bits, parity bit and stop bit are sampled on each 16 sampling clock cycle. If the oversampling is 8 (OVER at 1), a start bit is detected at the fourth sample at 0. Then, data bits, parity bit and stop bit are sampled on each 8 sampling clock cycle.

The number of data bits, first bit sent and parity mode are selected by the same fields and bits as the transmitter, i.e. respectively CHRL, MODE9, MSBF and PAR. The number of stop bits has no effect on the receiver as it considers only one stop bit, regardless of the field NBSTOP, so that resynchronization between the receiver and the transmitter can occur. Moreover, as soon as the stop bit is sampled, the receiver starts looking for a new start bit so that resynchronization can also be accomplished when the transmitter is operating with one stop bit.

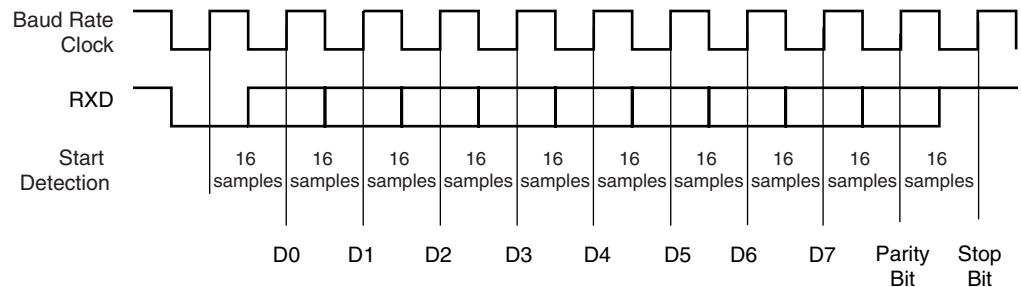
Figure 31-12 and Figure 31-13 illustrate start detection and character reception when USART operates in asynchronous mode.

**Figure 31-12. Asynchronous Start Detection**



**Figure 31-13. Asynchronous Character Reception**

Example: 8-bit, Parity Enabled



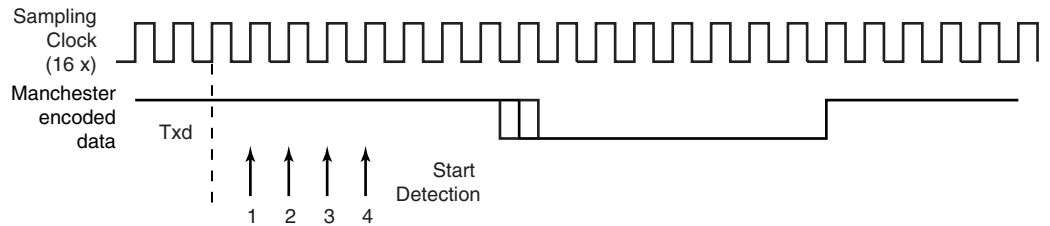
### 31.6.3.4 Manchester Decoder

When the MAN field in US\_MR register is set to 1, the Manchester decoder is enabled. The decoder performs both preamble and start frame delimiter detection. One input line is dedicated to Manchester encoded input data.

An optional preamble sequence can be defined, its length is user-defined and totally independent of the emitter side. Use RX\_PL in US\_MAN register to configure the length of the preamble sequence. If the length is set to 0, no preamble is detected and the function is disabled. In addition, the polarity of the input stream is programmable with RX\_MPOL field in US\_MAN register. Depending on the desired application the preamble pattern matching is to be defined via the RX\_PP field in US\_MAN. See [Figure 31-9](#) for available preamble patterns.

Unlike preamble, the start frame delimiter is shared between Manchester Encoder and Decoder. So, if ONEBIT field is set to 1, only a zero encoded Manchester can be detected as a valid start frame delimiter. If ONEBIT is set to 0, only a sync pattern is detected as a valid start frame delimiter. Decoder operates by detecting transition on incoming stream. If RXD is sampled during one quarter of a bit time at zero, a start bit is detected. See [Figure 31-14](#). The sample pulse rejection mechanism applies.

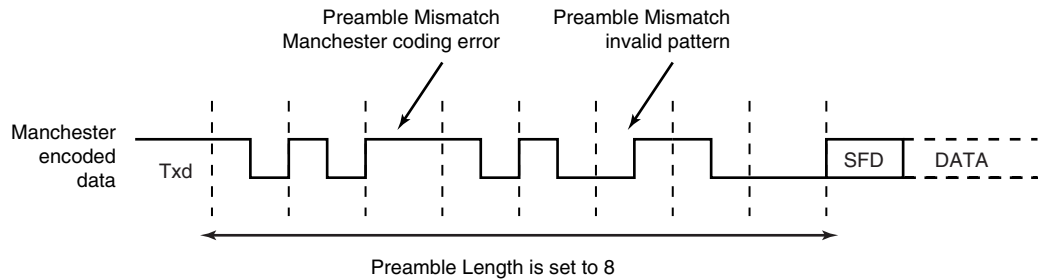
**Figure 31-14. Asynchronous Start Bit Detection**



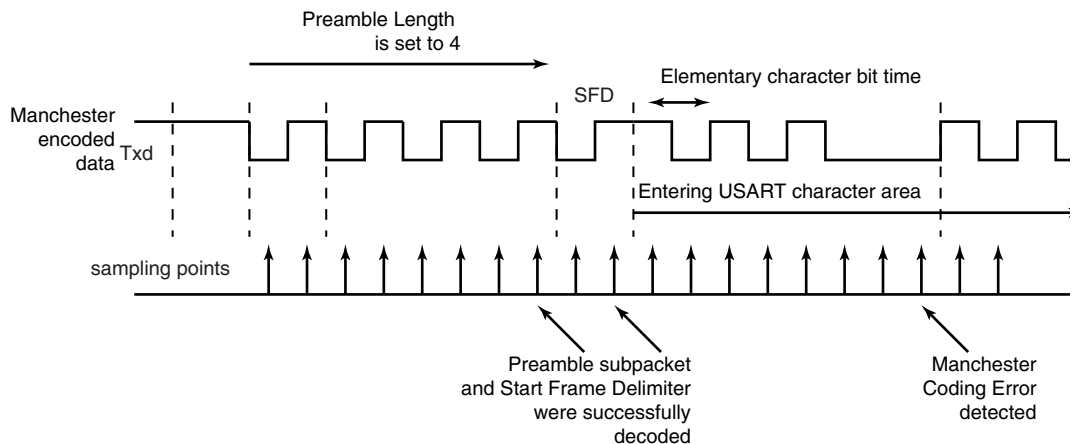
The receiver is activated and starts Preamble and Frame Delimiter detection, sampling the data at one quarter and then three quarters. If a valid preamble pattern or start frame delimiter is detected, the receiver continues decoding with the same synchronization. If the stream does not match a valid pattern or a valid start frame delimiter, the receiver re-synchronizes on the next valid edge. The minimum time threshold to estimate the bit value is three quarters of a bit time.

If a valid preamble (if used) followed with a valid start frame delimiter is detected, the incoming stream is decoded into NRZ data and passed to USART for processing. Figure 31-15 illustrates Manchester pattern mismatch. When incoming data stream is passed to the USART, the receiver is also able to detect Manchester code violation. A code violation is a lack of transition in the middle of a bit cell. In this case, MANE flag in US\_CSR register is raised. It is cleared by writing the Control Register (US\_CR) with the RSTSTA bit at 1. See Figure 31-16 for an example of Manchester error detection during data phase.

**Figure 31-15. Preamble Pattern Mismatch**



**Figure 31-16. Manchester Error Flag**



When the start frame delimiter is a sync pattern (ONEBIT field at 0), both command and data delimiter are supported. If a valid sync is detected, the received character is written as RXCHR field in the US\_RHR register and the RXSYNH is updated. RXCHR is set to 1 when the received character is a command, and it is set to 0 if the received character is a data. This mechanism alleviates and simplifies the direct memory access as the character contains its own sync field in the same register.

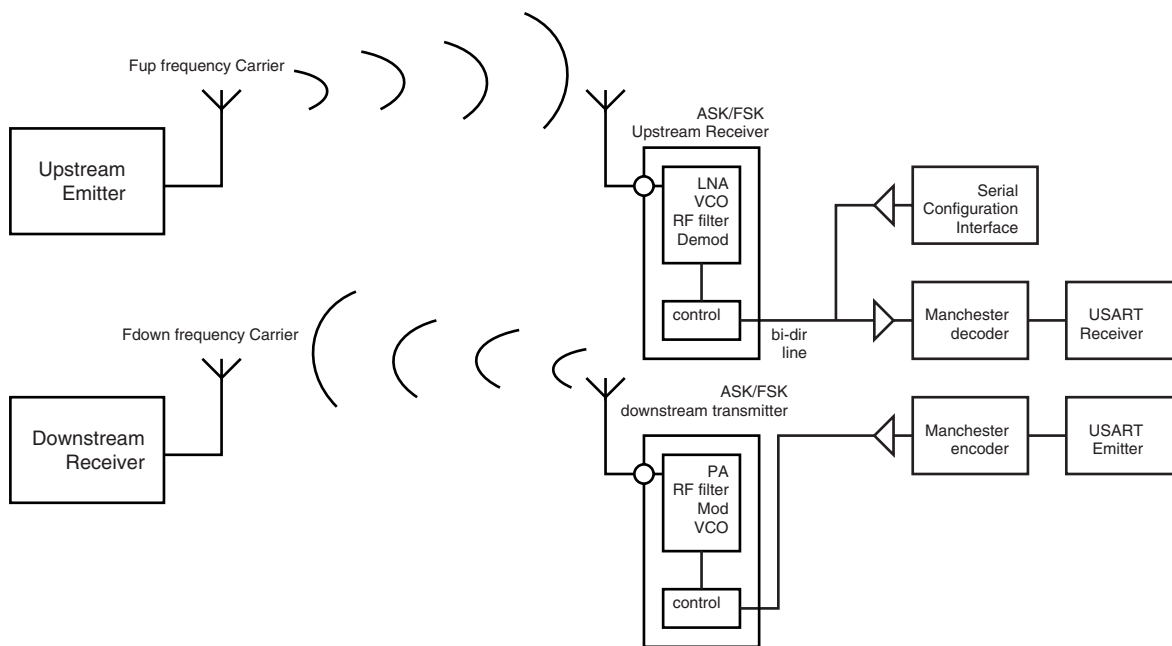
The decoder does not perform pipelining of incoming data stream. Thus when unipolar mode is enabled, it is highly recommended to assure consistency between start frame delimiter (or preamble) waveform and default active level. Example: when the line idles, the logic level is one; to synchronize and avoid confusion, a zero-to-one transition is mandatory.

### 31.6.3.5 Radio Interface: Manchester Encoded USART Application

This section describes low data rate RF transmission systems and their integration with a Manchester encoded USART. These systems are based on transmitter and receiver ICs that support ASK and FSK modulation schemes.

The goal is to perform full duplex radio transmission of characters using two different frequency carriers. See the configuration in [Figure 31-17](#).

**Figure 31-17. Manchester Encoded Characters RF Transmission**

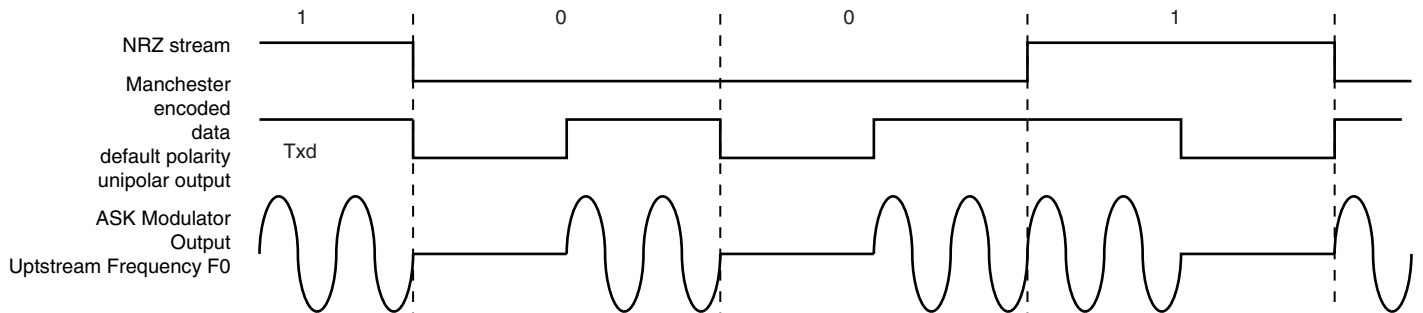


The USART module is configured as a Manchester encoder/decoder. It is also highly recommended to use PIO interface to access RF receiver configuration registers. Looking at the downstream communication channel, Manchester encoded characters are serially sent to the RF emitter. This may also include a user defined preamble and a start frame delimiter. Mostly, preamble is used in the RF receiver to distinguish between a valid data from a transmitter and signals due to noise. The Manchester stream is then modulated. See [Figure 31-18](#) for an example of ASK modulation scheme. When a logic one is sent to the ASK modulator, the power amplifier, referred to as PA, is enabled and transmits an RF signal at downstream frequency. When a logic zero is transmitted, the RF signal is turned off. If the FSK modulator is activated, two different frequencies are used to transmit data. When a logic 1 is sent, the mod-

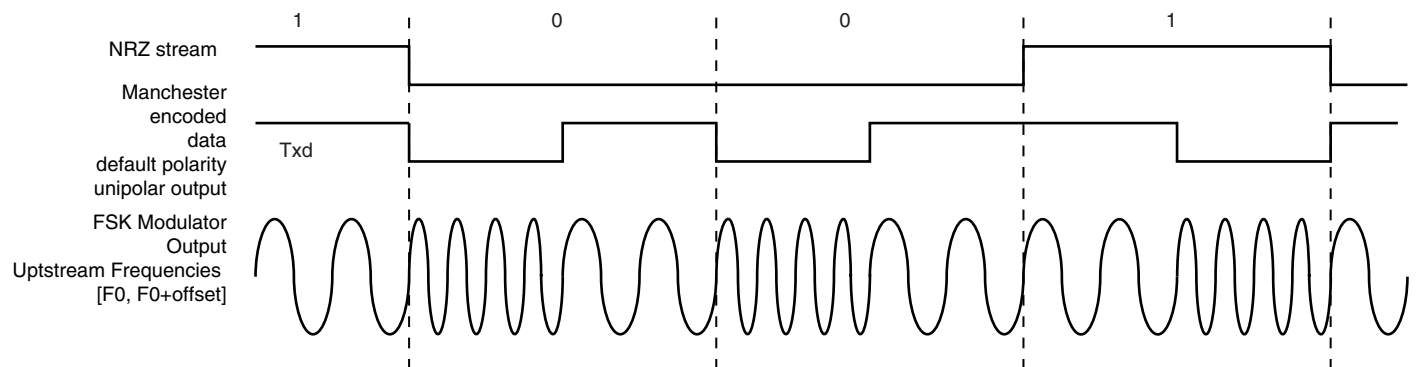
ulator outputs an RF signal at frequency  $F_0$  and switches to  $F_1$  if the data sent is a 0. See [Figure 31-19](#).

From the receiver side, another carrier frequency is used. The RF receiver performs a bit check operation examining demodulated data stream. If a valid pattern is detected, the receiver switches to receiving mode. The demodulated stream is sent to the Manchester decoder. Because of bit checking inside RF IC, the data transferred to the microcontroller is reduced by a user-defined number of bits. The Manchester preamble length is to be defined in accordance with the RF IC configuration.

**Figure 31-18. ASK Modulator Output**



**Figure 31-19. FSK Modulator Output**



### 31.6.3.6 Synchronous Receiver

In synchronous mode ( $SYNC = 1$ ), the receiver samples the RXD signal on each rising edge of the Baud Rate Clock. If a low level is detected, it is considered as a start. All data bits, the parity bit and the stop bits are sampled and the receiver waits for the next start bit. Synchronous mode operations provide a high speed transfer capability.

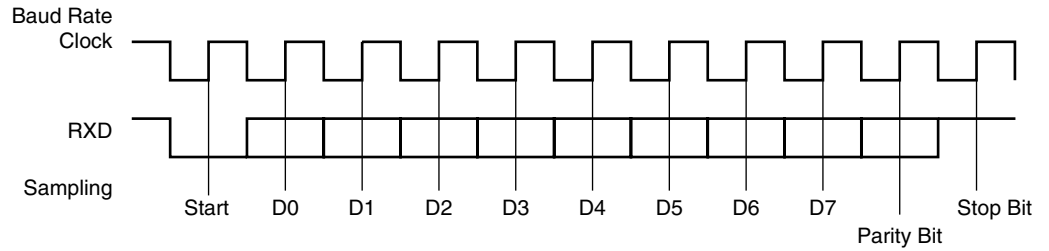
Configuration fields and bits are the same as in asynchronous mode.

[Figure 31-20](#) illustrates a character reception in synchronous mode.



**Figure 31-20.** Synchronous Mode Character Reception

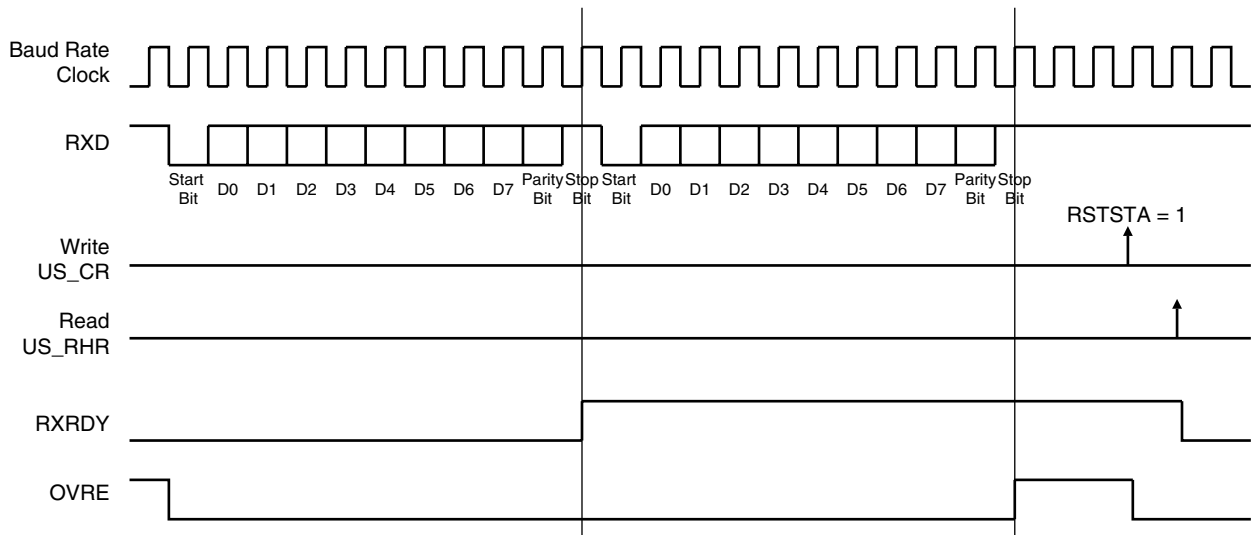
Example: 8-bit, Parity Enabled 1 Stop



### 31.6.3.7 Receiver Operations

When a character reception is completed, it is transferred to the Receive Holding Register (US\_RHR) and the RXRDY bit in the Status Register (US\_CSR) rises. If a character is completed while the RXRDY is set, the OVRE (Overrun Error) bit is set. The last character is transferred into US\_RHR and overwrites the previous one. The OVRE bit is cleared by writing the Control Register (US\_CR) with the RSTSTA (Reset Status) bit at 1.

**Figure 31-21.** Receiver Status



### 31.6.3.8 Parity

The USART supports five parity modes selected by programming the PAR field in the Mode Register (US\_MR). The PAR field also enables the Multidrop mode, see ["Multidrop Mode" on page 315](#). Even and odd parity bit generation and error detection are supported.

If even parity is selected, the parity generator of the transmitter drives the parity bit at 0 if a number of 1s in the character data bit is even, and at 1 if the number of 1s is odd. Accordingly, the receiver parity checker counts the number of received 1s and reports a parity error if the sampled parity bit does not correspond. If odd parity is selected, the parity generator of the transmitter drives the parity bit at 1 if a number of 1s in the character data bit is even, and at 0 if the number of 1s is odd. Accordingly, the receiver parity checker counts the number of received 1s and reports a parity error if the sampled parity bit does not correspond. If the mark parity is used, the parity generator of the transmitter drives the parity bit at 1 for all characters. The receiver parity checker reports an error if the parity bit is sampled at 0. If the space parity is used, the parity generator of the transmitter drives the parity bit at 0 for all characters. The receiver parity checker reports an error if the parity bit is sampled at 1. If parity is disabled, the transmitter does not generate any parity bit and the receiver does not report any parity error.

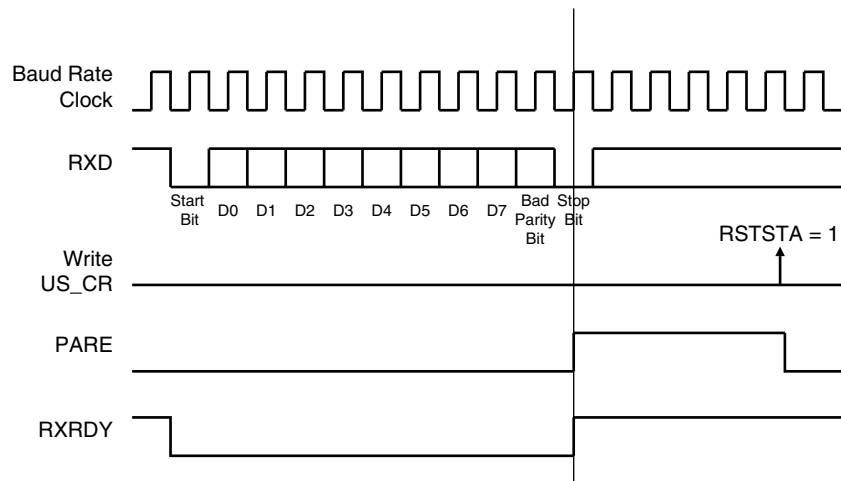
[Table 31-6](#) shows an example of the parity bit for the character 0x41 (character ASCII "A") depending on the configuration of the USART. Because there are two bits at 1, 1 bit is added when a parity is odd, or 0 is added when a parity is even.

**Table 31-6.** Parity Bit Examples

| Character | Hexa | Binary    | Parity Bit | Parity Mode |
|-----------|------|-----------|------------|-------------|
| A         | 0x41 | 0100 0001 | 1          | Odd         |
| A         | 0x41 | 0100 0001 | 0          | Even        |
| A         | 0x41 | 0100 0001 | 1          | Mark        |
| A         | 0x41 | 0100 0001 | 0          | Space       |
| A         | 0x41 | 0100 0001 | None       | None        |

When the receiver detects a parity error, it sets the PARE (Parity Error) bit in the Channel Status Register (US\_CSR). The PARE bit can be cleared by writing the Control Register (US\_CR) with the RSTSTA bit at 1. [Figure 31-22](#) illustrates the parity bit status setting and clearing.

**Figure 31-22. Parity Error**



### 31.6.3.9 Multidrop Mode

If the PAR field in the Mode Register (US\_MR) is programmed to the value 0x6 or 0x07, the USART runs in Multidrop Mode. This mode differentiates the data characters and the address characters. Data is transmitted with the parity bit at 0 and addresses are transmitted with the parity bit at 1.

If the USART is configured in multidrop mode, the receiver sets the PARE parity error bit when the parity bit is high and the transmitter is able to send a character with the parity bit high when the Control Register is written with the SENDA bit at 1.

To handle parity error, the PARE bit is cleared when the Control Register is written with the bit RSTSTA at 1.

The transmitter sends an address byte (parity bit set) when SENDA is written to US\_CR. In this case, the next byte written to US\_THR is transmitted as an address. Any character written in US\_THR without having written the command SENDA is transmitted normally with the parity at 0.

### 31.6.3.10 Transmitter Timeguard

The timeguard feature enables the USART interface with slow remote devices.

The timeguard function enables the transmitter to insert an idle state on the TXD line between two characters. This idle state actually acts as a long stop bit.

The duration of the idle state is programmed in the TG field of the Transmitter Timeguard Register (US\_TTGR). When this field is programmed at zero no timeguard is generated. Otherwise, the transmitter holds a high level on TXD after each transmitted byte during the number of bit periods programmed in TG in addition to the number of stop bits.

As illustrated in [Figure 31-23](#), the behavior of TXRDY and TXEMPTY status bits is modified by the programming of a timeguard. TXRDY rises only when the start bit of the next character is sent, and thus remains at 0 during the timeguard transmission if a character has been written in US\_THR. TXEMPTY remains low until the timeguard transmission is completed as the timeguard is part of the current character being transmitted.

**Figure 31-23.** Timeguard Operations

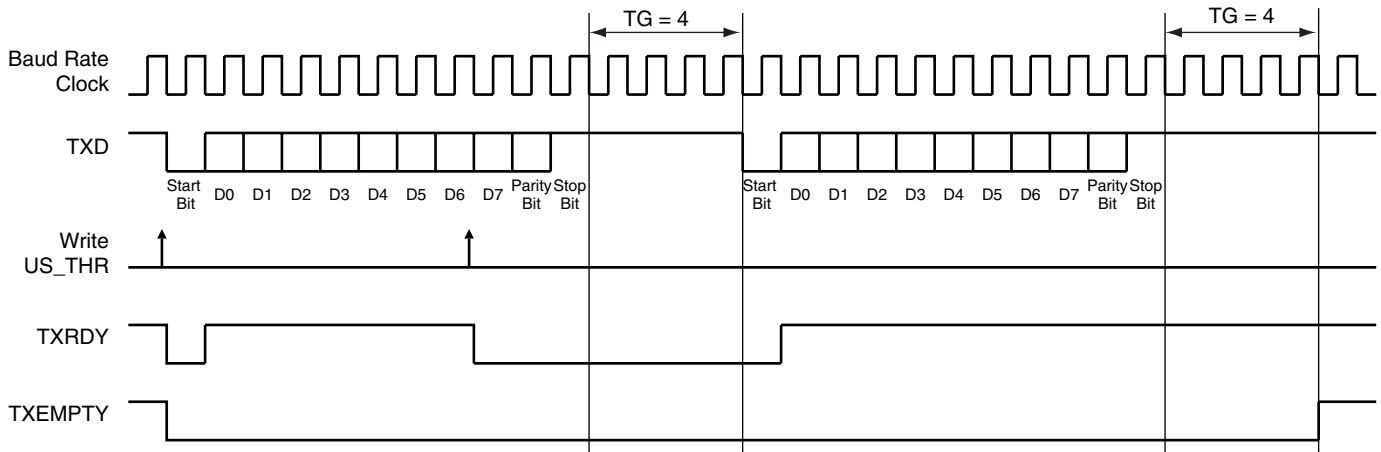


Table 31-7 indicates the maximum length of a timeguard period that the transmitter can handle in relation to the function of the Baud Rate.

**Table 31-7.** Maximum Timeguard Length Depending on Baud Rate

| Baud Rate | Bit time | Timeguard |
|-----------|----------|-----------|
| Bit/sec   | $\mu$ s  | ms        |
| 1 200     | 833      | 212.50    |
| 9 600     | 104      | 26.56     |
| 14400     | 69.4     | 17.71     |
| 19200     | 52.1     | 13.28     |
| 28800     | 34.7     | 8.85      |
| 33400     | 29.9     | 7.63      |
| 56000     | 17.9     | 4.55      |
| 57600     | 17.4     | 4.43      |
| 115200    | 8.7      | 2.21      |

### 31.6.3.11 Receiver Time-out

The Receiver Time-out provides support in handling variable-length frames. This feature detects an idle condition on the RXD line. When a time-out is detected, the bit TIMEOUT in the Channel Status Register (US\_CSR) rises and can generate an interrupt, thus indicating to the driver an end of frame.

The time-out delay period (during which the receiver waits for a new character) is programmed in the TO field of the Receiver Time-out Register (US\_RTOR). If the TO field is programmed at 0, the Receiver Time-out is disabled and no time-out is detected. The TIMEOUT bit in US\_CSR remains at 0. Otherwise, the receiver loads a 16-bit counter with the value programmed in TO. This counter is decremented at each bit period and reloaded each time a new character is received. If the counter reaches 0, the TIMEOUT bit in the Status Register rises.

The user can either:

- Obtain an interrupt when a time-out is detected after having received at least one character. This is performed by writing the Control Register (US\_CR) with the STTTO (Start Time-out) bit at 1.
- Obtain a periodic interrupt while no character is received. This is performed by writing US\_CR with the RETTO (Reload and Start Time-out) bit at 1.

If STTTO is performed, the counter clock is stopped until a first character is received. The idle state on RXD before the start of the frame does not provide a time-out. This prevents having to obtain a periodic interrupt and enables a wait of the end of frame when the idle state on RXD is detected.

If RETTO is performed, the counter starts counting down immediately from the value TO. This enables generation of a periodic interrupt so that a user time-out can be handled, for example when no key is pressed on a keyboard.

Figure 31-24 shows the block diagram of the Receiver Time-out feature.

**Figure 31-24.** Receiver Time-out Block Diagram

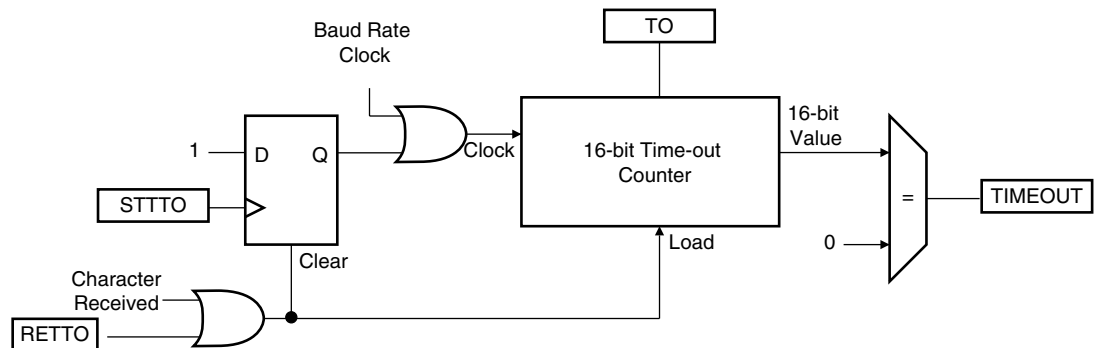


Table 31-8 gives the maximum time-out period for some standard baud rates.

**Table 31-8.** Maximum Time-out Period

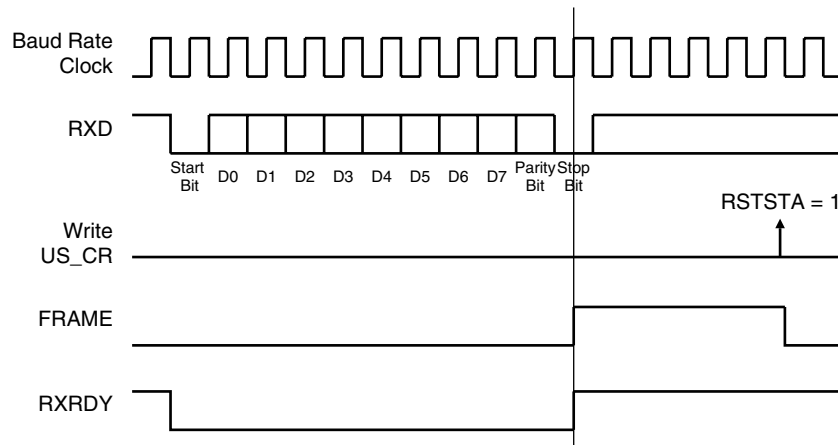
| Baud Rate | Bit Time | Time-out |
|-----------|----------|----------|
| bit/sec   | $\mu$ s  | ms       |
| 600       | 1 667    | 109 225  |
| 1 200     | 833      | 54 613   |
| 2 400     | 417      | 27 306   |
| 4 800     | 208      | 13 653   |
| 9 600     | 104      | 6 827    |
| 14400     | 69       | 4 551    |
| 19200     | 52       | 3 413    |
| 28800     | 35       | 2 276    |
| 33400     | 30       | 1 962    |
| 56000     | 18       | 1 170    |
| 57600     | 17       | 1 138    |
| 200000    | 5        | 328      |

### 31.6.3.12 Framing Error

The receiver is capable of detecting framing errors. A framing error happens when the stop bit of a received character is detected at level 0. This can occur if the receiver and the transmitter are fully desynchronized.

A framing error is reported on the FRAME bit of the Channel Status Register (US\_CSR). The FRAME bit is asserted in the middle of the stop bit as soon as the framing error is detected. It is cleared by writing the Control Register (US\_CR) with the RSTSTA bit at 1.

**Figure 31-25.** Framing Error Status



### 31.6.3.13 Transmit Break

The user can request the transmitter to generate a break condition on the TXD line. A break condition drives the TXD line low during at least one complete character. It appears the same as a 0x00 character sent with the parity and the stop bits at 0. However, the transmitter holds the TXD line at least during one character until the user requests the break condition to be removed.

A break is transmitted by writing the Control Register (US\_CR) with the STTBK bit at 1. This can be performed at any time, either while the transmitter is empty (no character in either the Shift Register or in US\_THR) or when a character is being transmitted. If a break is requested while a character is being shifted out, the character is first completed before the TXD line is held low.

Once STTBK command is requested further STTBK commands are ignored until the end of the break is completed.

The break condition is removed by writing US\_CR with the STPBRK bit at 1. If the STPBRK is requested before the end of the minimum break duration (one character, including start, data, parity and stop bits), the transmitter ensures that the break condition completes.

The transmitter considers the break as though it is a character, i.e. the STTBK and STPBRK commands are taken into account only if the TXRDY bit in US\_CSR is at 1 and the start of the break condition clears the TXRDY and TXEMPTY bits as if a character is processed.

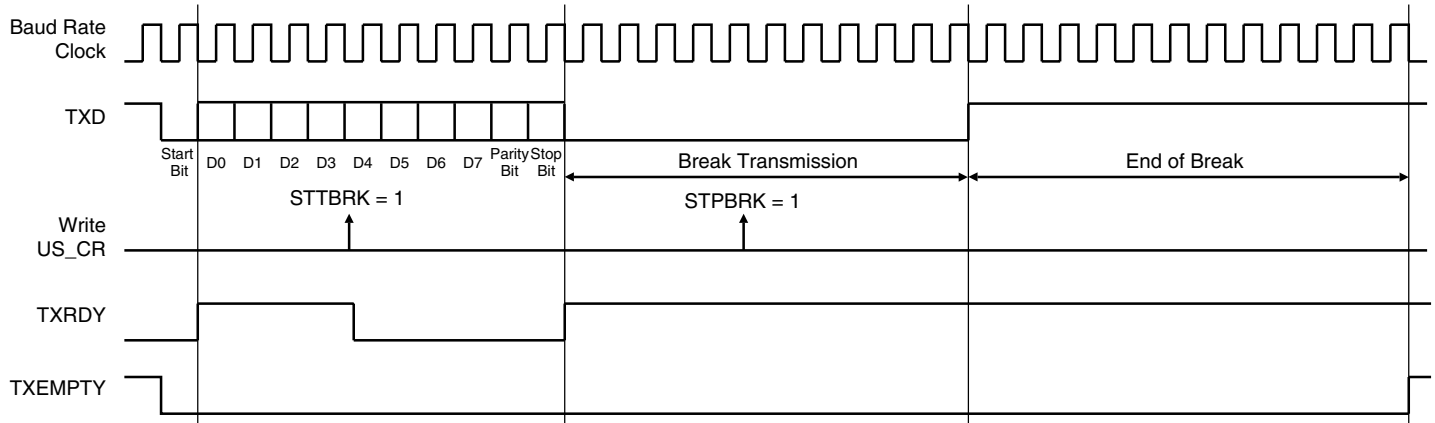
Writing US\_CR with the both STTBK and STPBRK bits at 1 can lead to an unpredictable result. All STPBRK commands requested without a previous STTBK command are ignored. A byte written into the Transmit Holding Register while a break is pending, but not started, is ignored.

After the break condition, the transmitter returns the TXD line to 1 for a minimum of 12 bit times. Thus, the transmitter ensures that the remote receiver detects correctly the end of break and the start of the next character. If the timeguard is programmed with a value higher than 12, the TXD line is held high for the timeguard period.

After holding the TXD line for this period, the transmitter resumes normal operations.

Figure 31-26 illustrates the effect of both the Start Break (STTBK) and Stop Break (STPBRK) commands on the TXD line.

**Figure 31-26.** Break Transmission



### 31.6.3.14 Receive Break

The receiver detects a break condition when all data, parity and stop bits are low. This corresponds to detecting a framing error with data at 0x00, but FRAME remains low.

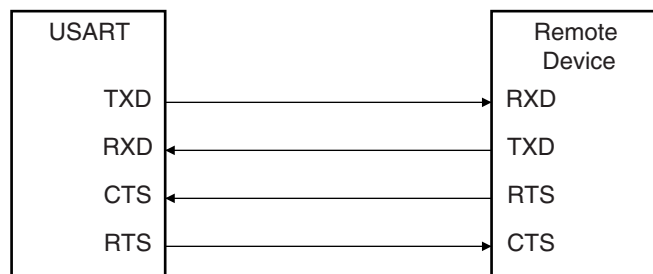
When the low stop bit is detected, the receiver asserts the RXBRK bit in US\_CSR. This bit may be cleared by writing the Control Register (US\_CR) with the bit RSTSTA at 1.

An end of receive break is detected by a high level for at least 2/16 of a bit period in asynchronous operating mode or one sample at high level in synchronous operating mode. The end of break detection also asserts the RXBRK bit.

### 31.6.3.15 Hardware Handshaking

The USART features a hardware handshaking out-of-band flow control. The RTS and CTS pins are used to connect with the remote device, as shown in Figure 31-27.

**Figure 31-27.** Connection with a Remote Device for Hardware Handshaking



Setting the USART to operate with hardware handshaking is performed by writing the USART\_MODE field in the Mode Register (US\_MR) to the value 0x2.

The USART behavior when hardware handshaking is enabled is the same as the behavior in standard synchronous or asynchronous mode, except that the receiver drives the RTS pin as described below and the level on the CTS pin modifies the behavior of the transmitter as described below. Using this mode requires using the PDC channel for reception. The transmitter can handle hardware handshaking in any case.

Figure 31-28 shows how the receiver operates if hardware handshaking is enabled. The RTS pin is driven high if the receiver is disabled and if the status RXBUFF (Receive Buffer Full) coming from the PDC channel is high. Normally, the remote device does not start transmitting while its CTS pin (driven by RTS) is high. As soon as the Receiver is enabled, the RTS falls, indicating to the remote device that it can start transmitting. Defining a new buffer to the PDC clears the status bit RXBUFF and, as a result, asserts the pin RTS low.

**Figure 31-28.** Receiver Behavior when Operating with Hardware Handshaking

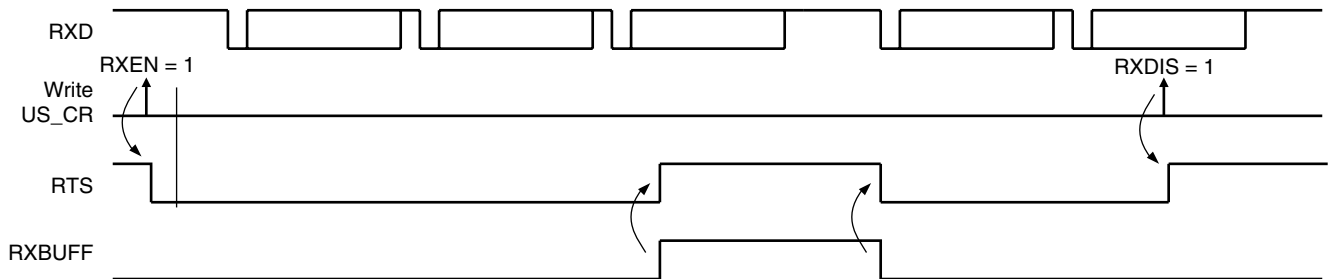
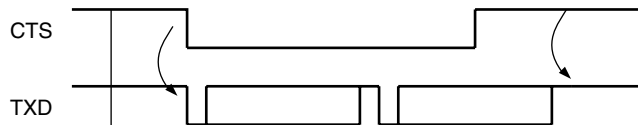


Figure 31-29 shows how the transmitter operates if hardware handshaking is enabled. The CTS pin disables the transmitter. If a character is being processing, the transmitter is disabled only after the completion of the current character and transmission of the next character happens as soon as the pin CTS falls.

**Figure 31-29.** Transmitter Behavior when Operating with Hardware Handshaking



### 31.6.4 ISO7816 Mode

The USART features an ISO7816-compatible operating mode. This mode permits interfacing with smart cards and Security Access Modules (SAM) communicating through an ISO7816 link. Both T = 0 and T = 1 protocols defined by the ISO7816 specification are supported.

Setting the USART in ISO7816 mode is performed by writing the USART\_MODE field in the Mode Register (US\_MR) to the value 0x4 for protocol T = 0 and to the value 0x5 for protocol T = 1.

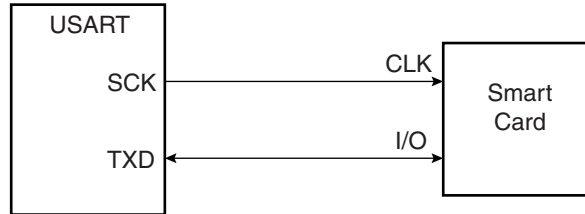
#### 31.6.4.1 ISO7816 Mode Overview

The ISO7816 is a half duplex communication on only one bidirectional line. The baud rate is determined by a division of the clock provided to the remote device (see ["Baud Rate Generator" on page 299](#)).



The USART connects to a smart card as shown in [Figure 31-30](#). The TXD line becomes bidirectional and the Baud Rate Generator feeds the ISO7816 clock on the SCK pin. As the TXD pin becomes bidirectional, its output remains driven by the output of the transmitter but only when the transmitter is active while its input is directed to the input of the receiver. The USART is considered as the master of the communication as it generates the clock.

**Figure 31-30.** Connection of a Smart Card to the USART



When operating in ISO7816, either in  $T = 0$  or  $T = 1$  modes, the character format is fixed. The configuration is 8 data bits, even parity and 1 or 2 stop bits, regardless of the values programmed in the CHRL, MODE9, PAR and CHMODE fields. MSBF can be used to transmit LSB or MSB first.

The USART cannot operate concurrently in both receiver and transmitter modes as the communication is unidirectional at a time. It has to be configured according to the required mode by enabling or disabling either the receiver or the transmitter as desired. Enabling both the receiver and the transmitter at the same time in ISO7816 mode may lead to unpredictable results.

The ISO7816 specification defines an inverse transmission format. Data bits of the character must be transmitted on the I/O line at their negative value. The USART does not support this format and the user has to perform an exclusive OR on the data before writing it in the Transmit Holding Register (US\_THR) or after reading it in the Receive Holding Register (US\_RHR).

## 31.6.4.2 Protocol $T = 0$

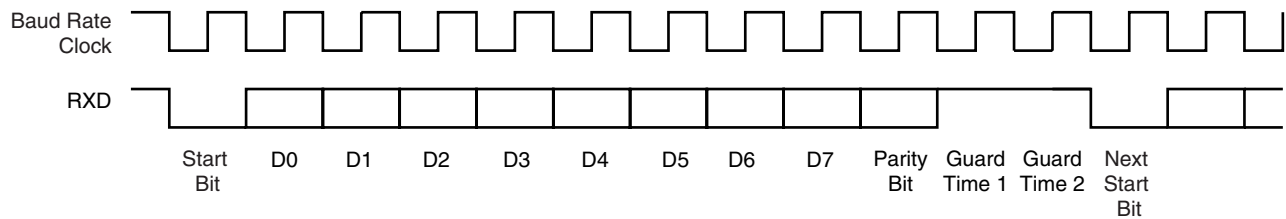
In  $T = 0$  protocol, a character is made up of one start bit, eight data bits, one parity bit and one guard time, which lasts two bit times. The transmitter shifts out the bits and does not drive the I/O line during the guard time.

If no parity error is detected, the I/O line remains at 1 during the guard time and the transmitter can continue with the transmission of the next character, as shown in [Figure 31-31](#).

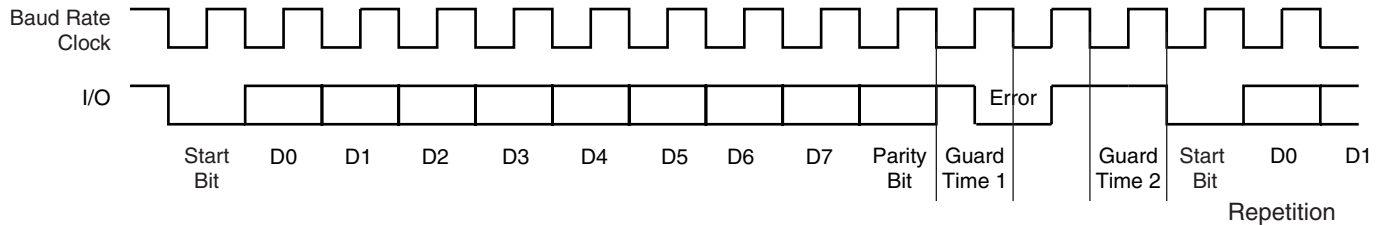
If a parity error is detected by the receiver, it drives the I/O line at 0 during the guard time, as shown in [Figure 31-32](#). This error bit is also named NACK, for Non Acknowledge. In this case, the character lasts 1 bit time more, as the guard time length is the same and is added to the error bit time which lasts 1 bit time.

When the USART is the receiver and it detects an error, it does not load the erroneous character in the Receive Holding Register (US\_RHR). It appropriately sets the PARE bit in the Status Register (US\_SR) so that the software can handle the error.

**Figure 31-31.** T = 0 Protocol without Parity Error



**Figure 31-32.** T = 0 Protocol with Parity Error



#### Receive Error Counter

The USART receiver also records the total number of errors. This can be read in the Number of Error (US\_NER) register. The NB\_ERRORS field can record up to 255 errors. Reading US\_NER automatically clears the NB\_ERRORS field.

#### Receive NACK Inhibit

The USART can also be configured to inhibit an error. This can be achieved by setting the INACK bit in the Mode Register (US\_MR). If INACK is at 1, no error signal is driven on the I/O line even if a parity bit is detected, but the INACK bit is set in the Status Register (US\_SR). The INACK bit can be cleared by writing the Control Register (US\_CR) with the RSTNACK bit at 1.

Moreover, if INACK is set, the erroneous received character is stored in the Receive Holding Register, as if no error occurred. However, the RXRDY bit does not raise.

#### Transmit Character Repetition

When the USART is transmitting a character and gets a NACK, it can automatically repeat the character before moving on to the next one. Repetition is enabled by writing the MAX\_ITERATION field in the Mode Register (US\_MR) at a value higher than 0. Each character can be transmitted up to eight times; the first transmission plus seven repetitions.

If MAX\_ITERATION does not equal zero, the USART repeats the character as many times as the value loaded in MAX\_ITERATION.

When the USART repetition number reaches MAX\_ITERATION, the ITERATION bit is set in the Channel Status Register (US\_CSR). If the repetition of the character is acknowledged by the receiver, the repetitions are stopped and the iteration counter is cleared.

The ITERATION bit in US\_CSR can be cleared by writing the Control Register with the RSIT bit at 1.

## Disable Successive Receive NACK

The receiver can limit the number of successive NACKs sent back to the remote transmitter. This is programmed by setting the bit DSNACK in the Mode Register (US\_MR). The maximum number of NACK transmitted is programmed in the MAX\_ITERATION field. As soon as MAX\_ITERATION is reached, the character is considered as correct, an acknowledge is sent on the line and the ITERATION bit in the Channel Status Register is set.

### 31.6.4.3 Protocol T = 1

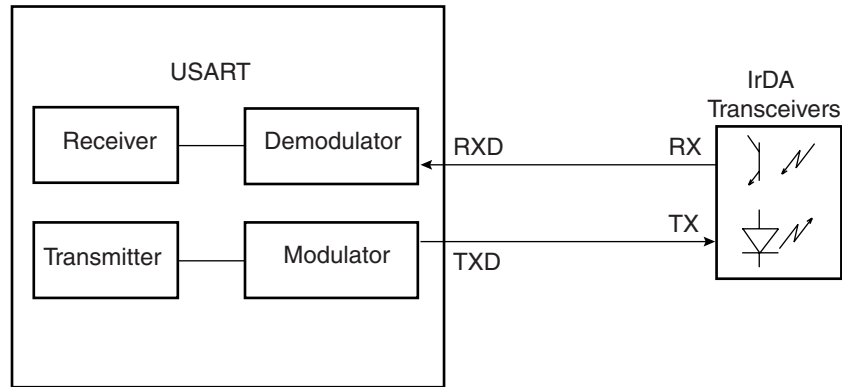
When operating in ISO7816 protocol T = 1, the transmission is similar to an asynchronous format with only one stop bit. The parity is generated when transmitting and checked when receiving. Parity error detection sets the PARE bit in the Channel Status Register (US\_CSR).

### 31.6.5 IrDA Mode

The USART features an IrDA mode supplying half-duplex point-to-point wireless communication. It embeds the modulator and demodulator which allows a glueless connection to the infrared transceivers, as shown in [Figure 31-33](#). The modulator and demodulator are compliant with the IrDA specification version 1.1 and support data transfer speeds ranging from 2.4 Kb/s to 115.2 Kb/s.

The USART IrDA mode is enabled by setting the USART\_MODE field in the Mode Register (US\_MR) to the value 0x8. The IrDA Filter Register (US\_IF) allows configuring the demodulator filter. The USART transmitter and receiver operate in a normal asynchronous mode and all parameters are accessible. Note that the modulator and the demodulator are activated.

**Figure 31-33.** Connection to IrDA Transceivers



The receiver and the transmitter must be enabled or disabled according to the direction of the transmission to be managed.

### 31.6.5.1 IrDA Modulation

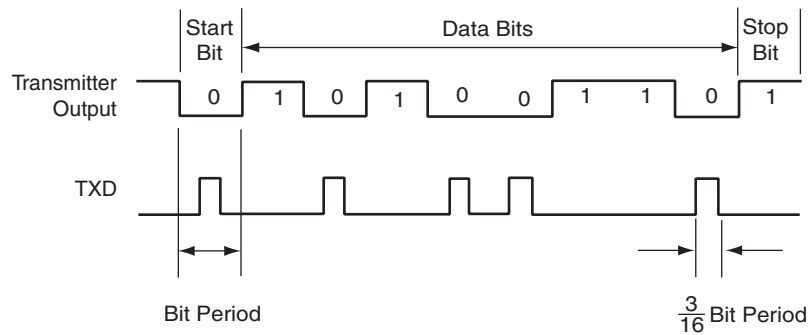
For baud rates up to and including 115.2 Kbits/sec, the RZI modulation scheme is used. “0” is represented by a light pulse of 3/16th of a bit time. Some examples of signal pulse duration are shown in [Table 31-9](#).

**Table 31-9.** IrDA Pulse Duration

| Baud Rate  | Pulse Duration (3/16) |
|------------|-----------------------|
| 2.4 Kb/s   | 78.13 $\mu$ s         |
| 9.6 Kb/s   | 19.53 $\mu$ s         |
| 19.2 Kb/s  | 9.77 $\mu$ s          |
| 38.4 Kb/s  | 4.88 $\mu$ s          |
| 57.6 Kb/s  | 3.26 $\mu$ s          |
| 115.2 Kb/s | 1.63 $\mu$ s          |

[Figure 31-34](#) shows an example of character transmission.

**Figure 31-34.** IrDA Modulation



### 31.6.5.2 IrDA Baud Rate

[Table 31-10](#) gives some examples of CD values, baud rate error and pulse duration. Note that the requirement on the maximum acceptable error of  $\pm 1.87\%$  must be met.

**Table 31-10.** IrDA Baud Rate Error

| Peripheral Clock | Baud Rate | CD | Baud Rate Error | Pulse Time |
|------------------|-----------|----|-----------------|------------|
| 3 686 400        | 115 200   | 2  | 0.00%           | 1.63       |
| 20 000 000       | 115 200   | 11 | 1.38%           | 1.63       |
| 32 768 000       | 115 200   | 18 | 1.25%           | 1.63       |
| 40 000 000       | 115 200   | 22 | 1.38%           | 1.63       |
| 3 686 400        | 57 600    | 4  | 0.00%           | 3.26       |
| 20 000 000       | 57 600    | 22 | 1.38%           | 3.26       |
| 32 768 000       | 57 600    | 36 | 1.25%           | 3.26       |
| 40 000 000       | 57 600    | 43 | 0.93%           | 3.26       |
| 3 686 400        | 38 400    | 6  | 0.00%           | 4.88       |
| 20 000 000       | 38 400    | 33 | 1.38%           | 4.88       |

**Table 31-10.** IrDA Baud Rate Error (Continued)

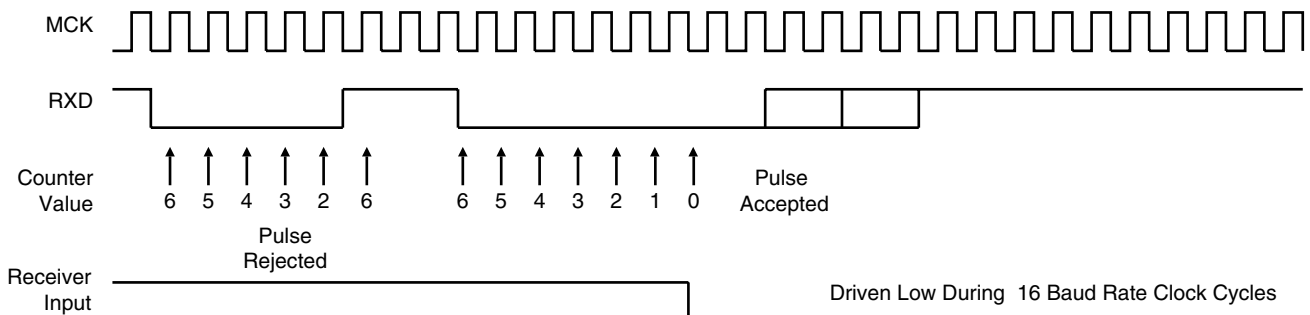
| Peripheral Clock | Baud Rate | CD  | Baud Rate Error | Pulse Time |
|------------------|-----------|-----|-----------------|------------|
| 32 768 000       | 38 400    | 53  | 0.63%           | 4.88       |
| 40 000 000       | 38 400    | 65  | 0.16%           | 4.88       |
| 3 686 400        | 19 200    | 12  | 0.00%           | 9.77       |
| 20 000 000       | 19 200    | 65  | 0.16%           | 9.77       |
| 32 768 000       | 19 200    | 107 | 0.31%           | 9.77       |
| 40 000 000       | 19 200    | 130 | 0.16%           | 9.77       |
| 3 686 400        | 9 600     | 24  | 0.00%           | 19.53      |
| 20 000 000       | 9 600     | 130 | 0.16%           | 19.53      |
| 32 768 000       | 9 600     | 213 | 0.16%           | 19.53      |
| 40 000 000       | 9 600     | 260 | 0.16%           | 19.53      |
| 3 686 400        | 2 400     | 96  | 0.00%           | 78.13      |
| 20 000 000       | 2 400     | 521 | 0.03%           | 78.13      |
| 32 768 000       | 2 400     | 853 | 0.04%           | 78.13      |

### 31.6.5.3 IrDA Demodulator

The demodulator is based on the IrDA Receive filter comprised of an 8-bit down counter which is loaded with the value programmed in US\_IF. When a falling edge is detected on the RXD pin, the Filter Counter starts counting down at the Master Clock (MCK) speed. If a rising edge is detected on the RXD pin, the counter stops and is reloaded with US\_IF. If no rising edge is detected when the counter reaches 0, the input of the receiver is driven low during one bit time.

Figure 31-35 illustrates the operations of the IrDA demodulator.

**Figure 31-35.** IrDA Demodulator Operations

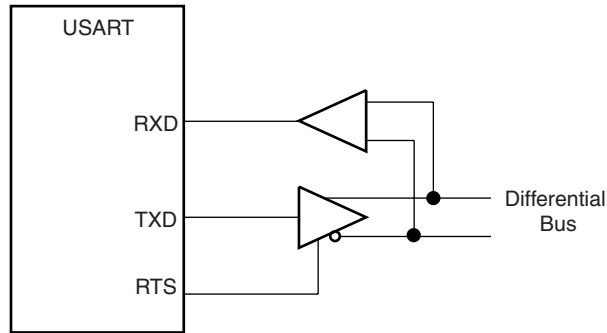


As the IrDA mode uses the same logic as the ISO7816, note that the FI\_DI\_RATIO field in US\_FIDI must be set to a value higher than 0 in order to assure IrDA communications operate correctly.

### 31.6.6 RS485 Mode

The USART features the RS485 mode to enable line driver control. While operating in RS485 mode, the USART behaves as though in asynchronous or synchronous mode and configuration of all the parameters is possible. The difference is that the RTS pin is driven high when the transmitter is operating. The behavior of the RTS pin is controlled by the TXEMPTY bit. A typical connection of the USART to a RS485 bus is shown in [Figure 31-36](#).

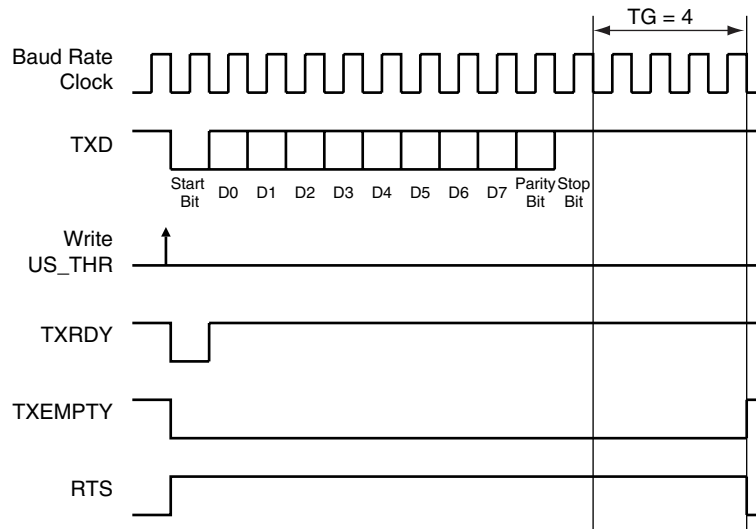
**Figure 31-36.** Typical Connection to a RS485 Bus



The USART is set in RS485 mode by programming the USART\_MODE field in the Mode Register (US\_MR) to the value 0x1.

The RTS pin is at a level inverse to the TXEMPTY bit. Significantly, the RTS pin remains high when a timeguard is programmed so that the line can remain driven after the last character completion. [Figure 31-37](#) gives an example of the RTS waveform during a character transmission when the timeguard is enabled.

**Figure 31-37.** Example of RTS Drive with Timeguard



## 31.6.7 Modem Mode

The USART features modem mode, which enables control of the signals: DTR (Data Terminal Ready), DSR (Data Set Ready), RTS (Request to Send), CTS (Clear to Send), DCD (Data Carrier Detect) and RI (Ring Indicator). While operating in modem mode, the USART behaves as a DTE (Data Terminal Equipment) as it drives DTR and RTS and can detect level change on DSR, DCD, CTS and RI.

Setting the USART in modem mode is performed by writing the USART\_MODE field in the Mode Register (US\_MR) to the value 0x3. While operating in modem mode the USART behaves as though in asynchronous mode and all the parameter configurations are available.

Table 31-11 gives the correspondence of the USART signals with modem connection standards.

**Table 31-11.** Circuit References

| USART Pin | V24 | CCITT | Direction              |
|-----------|-----|-------|------------------------|
| TXD       | 2   | 103   | From terminal to modem |
| RTS       | 4   | 105   | From terminal to modem |
| DTR       | 20  | 108.2 | From terminal to modem |
| RXD       | 3   | 104   | From modem to terminal |
| CTS       | 5   | 106   | From terminal to modem |
| DSR       | 6   | 107   | From terminal to modem |
| DCD       | 8   | 109   | From terminal to modem |
| RI        | 22  | 125   | From terminal to modem |

The control of the RTS and DTR output pins is performed by writing the Control Register (US\_CR) with the RTSDIS, RTSEN, DTRDIS and DTREN bits respectively at 1. The disable command forces the corresponding pin to its inactive level, i.e. high. The enable commands force the corresponding pin to its active level, i.e. low.

The level changes are detected on the RI, DSR, DCD and CTS pins. If an input change is detected, the RIIC, DSRIC, DCDIC and CTSIC bits in the Channel Status Register (US\_CSR) are set respectively and can trigger an interrupt. The status is automatically cleared when US\_CSR is read. Furthermore, the CTS automatically disables the transmitter when it is detected at its inactive state. If a character is being transmitted when the CTS rises, the character transmission is completed before the transmitter is actually disabled.

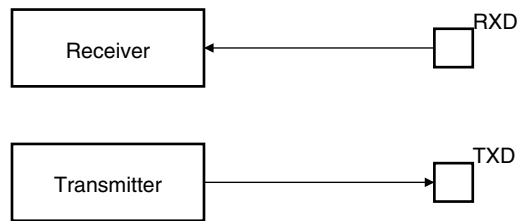
## 31.6.8 Test Modes

The USART can be programmed to operate in three different test modes. The internal loopback capability allows on-board diagnostics. In the loopback mode the USART interface pins are disconnected or not and reconfigured for loopback internally or externally.

### 31.6.8.1 Normal Mode

Normal mode connects the RXD pin on the receiver input and the transmitter output on the TXD pin.

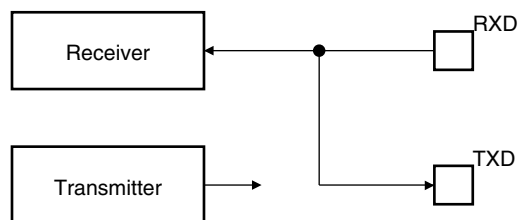
**Figure 31-38.** Normal Mode Configuration



**31.6.8.2** *Automatic Echo Mode*

Automatic echo mode allows bit-by-bit retransmission. When a bit is received on the RXD pin, it is sent to the TXD pin, as shown in [Figure 31-39](#). Programming the transmitter has no effect on the TXD pin. The RXD pin is still connected to the receiver input, thus the receiver remains active.

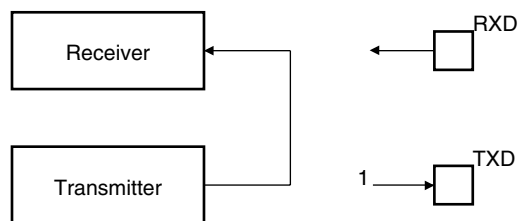
**Figure 31-39.** Automatic Echo Mode Configuration



**31.6.8.3** *Local Loopback Mode*

Local loopback mode connects the output of the transmitter directly to the input of the receiver, as shown in [Figure 31-40](#). The TXD and RXD pins are not used. The RXD pin has no effect on the receiver and the TXD pin is continuously driven high, as in idle state.

**Figure 31-40.** Local Loopback Mode Configuration

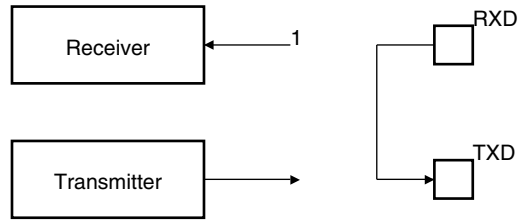


**31.6.8.4** *Remote Loopback Mode*

Remote loopback mode directly connects the RXD pin to the TXD pin, as shown in [Figure 31-41](#). The transmitter and the receiver are disabled and have no effect. This mode allows bit-by-bit retransmission.



**Figure 31-41. Remote Loopback Mode Configuration**



## 31.7 USART User Interface

**Table 31-12.** USART Memory Map

| Offset        | Register                            | Name    | Access     | Reset State |
|---------------|-------------------------------------|---------|------------|-------------|
| 0x0000        | Control Register                    | US_CR   | Write-only | –           |
| 0x0004        | Mode Register                       | US_MR   | Read/Write | –           |
| 0x0008        | Interrupt Enable Register           | US_IER  | Write-only | –           |
| 0x000C        | Interrupt Disable Register          | US_IDR  | Write-only | –           |
| 0x0010        | Interrupt Mask Register             | US_IMR  | Read-only  | 0x0         |
| 0x0014        | Channel Status Register             | US_CSR  | Read-only  | –           |
| 0x0018        | Receiver Holding Register           | US_RHR  | Read-only  | 0x0         |
| 0x001C        | Transmitter Holding Register        | US_THR  | Write-only | –           |
| 0x0020        | Baud Rate Generator Register        | US_BRGR | Read/Write | 0x0         |
| 0x0024        | Receiver Time-out Register          | US_RTOR | Read/Write | 0x0         |
| 0x0028        | Transmitter Timeguard Register      | US_TTGR | Read/Write | 0x0         |
| 0x2C - 0x3C   | Reserved                            | –       | –          | –           |
| 0x0040        | FI DI Ratio Register                | US_FIDI | Read/Write | 0x174       |
| 0x0044        | Number of Errors Register           | US_NER  | Read-only  | –           |
| 0x0048        | Reserved                            | –       | –          | –           |
| 0x004C        | IrDA Filter Register                | US_IF   | Read/Write | 0x0         |
| 0x0050        | Manchester Encoder Decoder Register | US_MAN  | Read/Write | 0x0         |
| 0x5C - 0xFC   | Reserved                            | –       | –          | –           |
| 0x100 - 0x128 | Reserved for PDC Registers          | –       | –          | –           |

## 31.7.1 USART Control Register

**Name:** US\_CR

**Access Type:** Write-only

|       |         |       |       |        |        |        |        |
|-------|---------|-------|-------|--------|--------|--------|--------|
| 31    | 30      | 29    | 28    | 27     | 26     | 25     | 24     |
| –     | –       | –     | –     | –      | –      | –      | –      |
| 23    | 22      | 21    | 20    | 19     | 18     | 17     | 16     |
| –     | –       | –     | –     | RTSDIS | RTSEN  | DTRDIS | DTREN  |
| 15    | 14      | 13    | 12    | 11     | 10     | 9      | 8      |
| RETTO | RSTNACK | RSTIT | SENDA | STTTO  | STPBRK | STTBRK | RSTSTA |
| 7     | 6       | 5     | 4     | 3      | 2      | 1      | 0      |
| TXDIS | TXEN    | RXDIS | RXEN  | RSTTX  | RSTRX  | –      | –      |

- **RSTRX: Reset Receiver**

0: No effect.

1: Resets the receiver.

- **RSTTX: Reset Transmitter**

0: No effect.

1: Resets the transmitter.

- **RXEN: Receiver Enable**

0: No effect.

1: Enables the receiver, if RXDIS is 0.

- **RXDIS: Receiver Disable**

0: No effect.

1: Disables the receiver.

- **TXEN: Transmitter Enable**

0: No effect.

1: Enables the transmitter if TXDIS is 0.

- **TXDIS: Transmitter Disable**

0: No effect.

1: Disables the transmitter.

- **RSTSTA: Reset Status Bits**

0: No effect.

1: Resets the status bits PARE, FRAME, OVRE and RXBRK in the US\_CSR.

- **STTBRK: Start Break**

0: No effect.

1: Starts transmission of a break after the characters present in US\_THR and the Transmit Shift Register have been transmitted. No effect if a break is already being transmitted.

- **STPBRK: Stop Break**

0: No effect.

1: Stops transmission of the break after a minimum of one character length and transmits a high level during 12-bit periods. No effect if no break is being transmitted.

- **STTTO: Start Time-out**

0: No effect

1: Starts waiting for a character before clocking the time-out counter.

- **SENDA: Send Address**

0: No effect.

1: In Multidrop Mode only, the next character written to the US\_THR is sent with the address bit set.

- **RSTIT: Reset Iterations**

0: No effect.

1: Resets ITERATION in US\_CSR. No effect if the ISO7816 is not enabled.

- **RSTNACK: Reset Non Acknowledge**

0: No effect

1: Resets NACK in US\_CSR.

- **RETTO: Rearm Time-out**

0: No effect

1: Restart Time-out

- **DTREN: Data Terminal Ready Enable**

0: No effect.

1: Drives the pin DTR at 0.

- **DTRDIS: Data Terminal Ready Disable**

0: No effect.

1: Drives the pin DTR to 1.

- **RTSEN: Request to Send Enable**

0: No effect.

1: Drives the pin RTS to 0.

- **RTSDIS: Request to Send Disable**

0: No effect.

1: Drives the pin RTS to 1.

## 31.7.2 USART Mode Register

**Name:** US\_MR

**Access Type:** Read/Write

|        |          |        |        |            |               |       |      |
|--------|----------|--------|--------|------------|---------------|-------|------|
| 31     | 30       | 29     | 28     | 27         | 26            | 25    | 24   |
| ONEBIT | –        | MAN    | FILTER | –          | MAX_ITERATION |       |      |
| 23     | 22       | 21     | 20     | 19         | 18            | 17    | 16   |
| –      | VAR_SYNC | DSNACK | INACK  | OVER       | CLKO          | MODE9 | MSBF |
| 15     | 14       | 13     | 12     | 11         | 10            | 9     | 8    |
| CHMODE |          | NBSTOP |        | PAR        |               |       | SYNC |
| 7      | 6        | 5      | 4      | 3          | 2             | 1     | 0    |
| CHRL   |          | USCLKS |        | USART_MODE |               |       |      |

• **USART\_MODE**

| USART_MODE |   |   |   | Mode of the USART       |
|------------|---|---|---|-------------------------|
| 0          | 0 | 0 | 0 | Normal                  |
| 0          | 0 | 0 | 1 | RS485                   |
| 0          | 0 | 1 | 0 | Hardware Handshaking    |
| 0          | 0 | 1 | 1 | Modem                   |
| 0          | 1 | 0 | 0 | ISO7816 Protocol: T = 0 |
| 0          | 1 | 0 | 1 | Reserved                |
| 0          | 1 | 1 | 0 | ISO7816 Protocol: T = 1 |
| 0          | 1 | 1 | 1 | Reserved                |
| 1          | 0 | 0 | 0 | IrDA                    |
| 1          | 1 | x | x | Reserved                |

• **USCLKS: Clock Selection**

| USCLKS |   | Selected Clock |
|--------|---|----------------|
| 0      | 0 | MCK            |
| 0      | 1 | MCK / DIV      |
| 1      | 0 | Reserved       |
| 1      | 1 | SCK            |

- **CHRL: Character Length.**

| CHRL |   | Character Length |
|------|---|------------------|
| 0    | 0 | 5 bits           |
| 0    | 1 | 6 bits           |
| 1    | 0 | 7 bits           |
| 1    | 1 | 8 bits           |

- **SYNC: Synchronous Mode Select**

0: USART operates in Asynchronous Mode.

1: USART operates in Synchronous Mode.

- **PAR: Parity Type**

| PAR |   |   | Parity Type                |
|-----|---|---|----------------------------|
| 0   | 0 | 0 | Even parity                |
| 0   | 0 | 1 | Odd parity                 |
| 0   | 1 | 0 | Parity forced to 0 (Space) |
| 0   | 1 | 1 | Parity forced to 1 (Mark)  |
| 1   | 0 | x | No parity                  |
| 1   | 1 | x | Multidrop mode             |

- **NBSTOP: Number of Stop Bits**

| NBSTOP |   | Asynchronous (SYNC = 0) | Synchronous (SYNC = 1) |
|--------|---|-------------------------|------------------------|
| 0      | 0 | 1 stop bit              | 1 stop bit             |
| 0      | 1 | 1.5 stop bits           | Reserved               |
| 1      | 0 | 2 stop bits             | 2 stop bits            |
| 1      | 1 | Reserved                | Reserved               |

- **CHMODE: Channel Mode**

| CHMODE |   | Mode Description  |
|--------|---|---|
| 0      | 0 | Normal Mode   |
| 0      | 1 | Automatic Echo. Receiver input is connected to the TXD pin.             |
| 1      | 0 | Local Loopback. Transmitter output is connected to the Receiver Input.. |
| 1      | 1 | Remote Loopback. RXD pin is internally connected to the TXD pin.        |

- **MSBF: Bit Order**

0: Least Significant Bit is sent/received first.

1: Most Significant Bit is sent/received first.

- **MODE9: 9-bit Character Length**

0: CHRL defines character length.

1: 9-bit character length.

- **CKLO: Clock Output Select**

0: The USART does not drive the SCK pin.

1: The USART drives the SCK pin if USCLKS does not select the external clock SCK.

- **OVER: Oversampling Mode**

0: 16x Oversampling.

1: 8x Oversampling.

- **INACK: Inhibit Non Acknowledge**

0: The NACK is generated.

1: The NACK is not generated.

- **DSNACK: Disable Successive NACK**

0: NACK is sent on the ISO line as soon as a parity error occurs in the received character (unless INACK is set).

1: Successive parity errors are counted up to the value specified in the MAX\_ITERATION field. These parity errors generate a NACK on the ISO line. As soon as this value is reached, no additional NACK is sent on the ISO line. The flag ITERATION is asserted.

- **VAR\_SYNC: Variable synchronization of command/data sync Start Frame Delimiter**

0: User defined configuration of command or data sync field depending on SYNC value.

1: The sync field is updated when a character is written into US\_THR register.

- **MAX\_ITERATION**

Defines the maximum number of iterations in mode ISO7816, protocol T= 0.

- **FILTER: Infrared Receive Line Filter**

0: The USART does not filter the receive line.

1: The USART filters the receive line using a three-sample filter (1/16-bit clock) (2 over 3 majority).

- **MAN: Manchester Encoder/Decoder Enable**

0: Manchester Encoder/Decoder are disabled.

1: Manchester Encoder/Decoder are enabled.

- **ONEBIT: Start Frame Delimiter selector**

0: Start Frame delimiter is COMMAND or DATA SYNC.

1: Start Frame delimiter is One Bit.

### 31.7.3 USART Interrupt Enable Register

Name: US\_IER

Access Type: Write-only

|      |       |      |        |        |           |         |         |
|------|-------|------|--------|--------|-----------|---------|---------|
| 31   | 30    | 29   | 28     | 27     | 26        | 25      | 24      |
| –    | –     | –    | –      | –      | –         | –       | –       |
| 23   | 22    | 21   | 20     | 19     | 18        | 17      | 16      |
| –    | –     | –    | MANE   | CTSIC  | DCDIC     | DSRIC   | RIIC    |
| 15   | 14    | 13   | 12     | 11     | 10        | 9       | 8       |
| –    | –     | NACK | RXBUFF | TXBUFE | ITERATION | TXEMPTY | TIMEOUT |
| 7    | 6     | 5    | 4      | 3      | 2         | 1       | 0       |
| PARE | FRAME | OVRE | ENDTX  | ENDRX  | RXBRK     | TXRDY   | RXRDY   |

- **RXRDY: RXRDY Interrupt Enable**
- **TXRDY: TXRDY Interrupt Enable**
- **RXBRK: Receiver Break Interrupt Enable**
- **ENDRX: End of Receive Transfer Interrupt Enable**
- **ENDTX: End of Transmit Interrupt Enable**
- **OVRE: Overrun Error Interrupt Enable**
- **FRAME: Framing Error Interrupt Enable**
- **PARE: Parity Error Interrupt Enable**
- **TIMEOUT: Time-out Interrupt Enable**
- **TXEMPTY: TXEMPTY Interrupt Enable**
- **ITERATION: Iteration Interrupt Enable**
- **TXBUFE: Buffer Empty Interrupt Enable**
- **RXBUFF: Buffer Full Interrupt Enable**
- **NACK: Non Acknowledge Interrupt Enable**
- **RIIC: Ring Indicator Input Change Enable**
- **DSRIC: Data Set Ready Input Change Enable**
- **DCDIC: Data Carrier Detect Input Change Interrupt Enable**
- **CTSIC: Clear to Send Input Change Interrupt Enable**
- **MANE: Manchester Error Interrupt Enable**

0: No effect.

1: Enables the corresponding interrupt.



## 31.7.4 USART Interrupt Disable Register

Name: US\_IDR

Access Type: Write-only

|      |       |      |        |        |           |         |         |
|------|-------|------|--------|--------|-----------|---------|---------|
| 31   | 30    | 29   | 28     | 27     | 26        | 25      | 24      |
| –    | –     | –    | –      | –      | –         | –       | –       |
| 23   | 22    | 21   | 20     | 19     | 18        | 17      | 16      |
| –    | –     | –    | MANE   | CTSIC  | DCDIC     | DSRIC   | RIIC    |
| 15   | 14    | 13   | 12     | 11     | 10        | 9       | 8       |
| –    | –     | NACK | RXBUFF | TXBUFE | ITERATION | TXEMPTY | TIMEOUT |
| 7    | 6     | 5    | 4      | 3      | 2         | 1       | 0       |
| PARE | FRAME | OVRE | ENDTX  | ENDRX  | RXBRK     | TXRDY   | RXRDY   |

- **RXRDY: RXRDY Interrupt Disable**
- **TXRDY: TXRDY Interrupt Disable**
- **RXBRK: Receiver Break Interrupt Disable**
- **ENDRX: End of Receive Transfer Interrupt Disable**
- **ENDTX: End of Transmit Interrupt Disable**
- **OVRE: Overrun Error Interrupt Disable**
- **FRAME: Framing Error Interrupt Disable**
- **PARE: Parity Error Interrupt Disable**
- **TIMEOUT: Time-out Interrupt Disable**
- **TXEMPTY: TXEMPTY Interrupt Disable**
- **ITERATION: Iteration Interrupt Disable**
- **TXBUFE: Buffer Empty Interrupt Disable**
- **RXBUFF: Buffer Full Interrupt Disable**
- **NACK: Non Acknowledge Interrupt Disable**
- **RIIC: Ring Indicator Input Change Disable**
- **DSRIC: Data Set Ready Input Change Disable**
- **DCDIC: Data Carrier Detect Input Change Interrupt Disable**
- **CTSIC: Clear to Send Input Change Interrupt Disable**
- **MANE: Manchester Error Interrupt Disable**

0: No effect.

1: Disables the corresponding interrupt.



### 31.7.5 USART Interrupt Mask Register

Name: US\_IMR

Access Type: Read-only

|      |       |      |        |        |           |         |         |
|------|-------|------|--------|--------|-----------|---------|---------|
| 31   | 30    | 29   | 28     | 27     | 26        | 25      | 24      |
| -    | -     | -    | -      | -      | -         | -       | -       |
| 23   | 22    | 21   | 20     | 19     | 18        | 17      | 16      |
| -    | -     | -    | MANE   | CTSIC  | DCDIC     | DSRIC   | RIIC    |
| 15   | 14    | 13   | 12     | 11     | 10        | 9       | 8       |
| -    | -     | NACK | RXBUFF | TXBUFE | ITERATION | TXEMPTY | TIMEOUT |
| 7    | 6     | 5    | 4      | 3      | 2         | 1       | 0       |
| PARE | FRAME | OVRE | ENDTX  | ENDRX  | RXBRK     | TXRDY   | RXRDY   |

- **RXRDY: RXRDY Interrupt Mask**
- **TXRDY: TXRDY Interrupt Mask**
- **RXBRK: Receiver Break Interrupt Mask**
- **ENDRX: End of Receive Transfer Interrupt Mask**
- **ENDTX: End of Transmit Interrupt Mask**
- **OVRE: Overrun Error Interrupt Mask**
- **FRAME: Framing Error Interrupt Mask**
- **PARE: Parity Error Interrupt Mask**
- **TIMEOUT: Time-out Interrupt Mask**
- **TXEMPTY: TXEMPTY Interrupt Mask**
- **ITERATION: Iteration Interrupt Mask**
- **TXBUFE: Buffer Empty Interrupt Mask**
- **RXBUFF: Buffer Full Interrupt Mask**
- **NACK: Non Acknowledge Interrupt Mask**
- **RIIC: Ring Indicator Input Change Mask**
- **DSRIC: Data Set Ready Input Change Mask**
- **DCDIC: Data Carrier Detect Input Change Interrupt Mask**
- **CTSIC: Clear to Send Input Change Interrupt Mask**
- **MANE: Manchester Error Interrupt Mask**

0: The corresponding interrupt is disabled.

1: The corresponding interrupt is enabled.

## 31.7.6 USART Channel Status Register

**Name:** US\_CSR

**Access Type:** Read-only

|      |       |      |        |        |           |         |         |
|------|-------|------|--------|--------|-----------|---------|---------|
| 31   | 30    | 29   | 28     | 27     | 26        | 25      | 24      |
| –    | –     | –    | –      | –      | –         | –       | MANERR  |
| 23   | 22    | 21   | 20     | 19     | 18        | 17      | 16      |
| CTS  | DCD   | DSR  | RI     | CTSIC  | DCDIC     | DSRIC   | RIIC    |
| 15   | 14    | 13   | 12     | 11     | 10        | 9       | 8       |
| –    | –     | NACK | RXBUFF | TXBUFE | ITERATION | TXEMPTY | TIMEOUT |
| 7    | 6     | 5    | 4      | 3      | 2         | 1       | 0       |
| PARE | FRAME | OVRE | ENDTX  | ENDRX  | RXBRK     | TXRDY   | RXRDY   |

- **RXRDY: Receiver Ready**

0: No complete character has been received since the last read of US\_RHR or the receiver is disabled. If characters were being received when the receiver was disabled, RXRDY changes to 1 when the receiver is enabled.

1: At least one complete character has been received and US\_RHR has not yet been read.

- **TXRDY: Transmitter Ready**

0: A character is in the US\_THR waiting to be transferred to the Transmit Shift Register, or an STTBRK command has been requested, or the transmitter is disabled. As soon as the transmitter is enabled, TXRDY becomes 1.

1: There is no character in the US\_THR.

- **RXBRK: Break Received/End of Break**

0: No Break received or End of Break detected since the last RSTSTA.

1: Break Received or End of Break detected since the last RSTSTA.

- **ENDRX: End of Receiver Transfer**

0: The End of Transfer signal from the Receive PDC channel is inactive.

1: The End of Transfer signal from the Receive PDC channel is active.

- **ENDTX: End of Transmitter Transfer**

0: The End of Transfer signal from the Transmit PDC channel is inactive.

1: The End of Transfer signal from the Transmit PDC channel is active.

- **OVRE: Overrun Error**

0: No overrun error has occurred since the last RSTSTA.

1: At least one overrun error has occurred since the last RSTSTA.

- **FRAME: Framing Error**

0: No stop bit has been detected low since the last RSTSTA.

1: At least one stop bit has been detected low since the last RSTSTA.

- **PARE: Parity Error**

0: No parity error has been detected since the last RSTSTA.

1: At least one parity error has been detected since the last RSTSTA.

- **TIMEOUT: Receiver Time-out**

0: There has not been a time-out since the last Start Time-out command or the Time-out Register is 0.

1: There has been a time-out since the last Start Time-out command.

- **TXEMPTY: Transmitter Empty**

0: There are characters in either US\_THR or the Transmit Shift Register, or the transmitter is disabled.

1: There is at least one character in either US\_THR or the Transmit Shift Register.

- **ITERATION: Max number of Repetitions Reached**

0: Maximum number of repetitions has not been reached since the last RSIT.

1: Maximum number of repetitions has been reached since the last RSIT.

- **TXBUFE: Transmission Buffer Empty**

0: The signal Buffer Empty from the Transmit PDC channel is inactive.

1: The signal Buffer Empty from the Transmit PDC channel is active.

- **RXBUFF: Reception Buffer Full**

0: The signal Buffer Full from the Receive PDC channel is inactive.

1: The signal Buffer Full from the Receive PDC channel is active.

- **NACK: Non Acknowledge**

0: No Non Acknowledge has not been detected since the last RSTNACK.

1: At least one Non Acknowledge has been detected since the last RSTNACK.

- **RIIC: Ring Indicator Input Change Flag**

0: No input change has been detected on the RI pin since the last read of US\_CSR.

1: At least one input change has been detected on the RI pin since the last read of US\_CSR.

- **DSRIC: Data Set Ready Input Change Flag**

0: No input change has been detected on the DSR pin since the last read of US\_CSR.

1: At least one input change has been detected on the DSR pin since the last read of US\_CSR.

- **DCDIC: Data Carrier Detect Input Change Flag**

0: No input change has been detected on the DCD pin since the last read of US\_CSR.

1: At least one input change has been detected on the DCD pin since the last read of US\_CSR.

- **CTSIC: Clear to Send Input Change Flag**

0: No input change has been detected on the CTS pin since the last read of US\_CSR.

1: At least one input change has been detected on the CTS pin since the last read of US\_CSR.

- **RI: Image of RI Input**

0: RI is at 0.

1: RI is at 1.

- **DSR: Image of DSR Input**

0: DSR is at 0

1: DSR is at 1.

- **DCD: Image of DCD Input**

0: DCD is at 0.

1: DCD is at 1.

- **CTS: Image of CTS Input**

0: CTS is at 0.

1: CTS is at 1.

- **MANERR: Manchester Error**

0: No Manchester error has been detected since the last RSTSTA.

1: At least one Manchester error has been detected since the last RSTSTA.



### 31.7.7 USART Receive Holding Register

Name: US\_RHR

Access Type: Read-only

|        |    |    |    |    |    |    |       |
|--------|----|----|----|----|----|----|-------|
| 31     | 30 | 29 | 28 | 27 | 26 | 25 | 24    |
| –      | –  | –  | –  | –  | –  | –  | –     |
| 23     | 22 | 21 | 20 | 19 | 18 | 17 | 16    |
| –      | –  | –  | –  | –  | –  | –  | –     |
| 15     | 14 | 13 | 12 | 11 | 10 | 9  | 8     |
| RXSYNH | –  | –  | –  | –  | –  | –  | RXCHR |
| 7      | 6  | 5  | 4  | 3  | 2  | 1  | 0     |
| RXCHR  |    |    |    |    |    |    |       |

• **RXCHR: Received Character**

Last character received if RXRDY is set.

• **RXSYNH: Received Sync**

0: Last Character received is a Data.

1: Last Character received is a Command.

### 31.7.8 USART Transmit Holding Register

Name: US\_THR

Access Type: Write-only

|        |    |    |    |    |    |    |       |
|--------|----|----|----|----|----|----|-------|
| 31     | 30 | 29 | 28 | 27 | 26 | 25 | 24    |
| –      | –  | –  | –  | –  | –  | –  | –     |
| 23     | 22 | 21 | 20 | 19 | 18 | 17 | 16    |
| –      | –  | –  | –  | –  | –  | –  | –     |
| 15     | 14 | 13 | 12 | 11 | 10 | 9  | 8     |
| TXSYNH | –  | –  | –  | –  | –  | –  | TXCHR |
| 7      | 6  | 5  | 4  | 3  | 2  | 1  | 0     |
| TXCHR  |    |    |    |    |    |    |       |

• **TXCHR: Character to be Transmitted**

Next character to be transmitted after the current character if TXRDY is not set.

• **TXSYNH: Sync Field to be transmitted**

0: The next character sent is encoded as a data. Start Frame Delimiter is DATA SYNC.

1: The next character sent is encoded as a command. Start Frame Delimiter is COMMAND SYNC.

## 31.7.9 USART Baud Rate Generator Register

Name: US\_BRGR

Access Type: Read/Write

|    |    |    |    |    |    |    |    |
|----|----|----|----|----|----|----|----|
| 31 | 30 | 29 | 28 | 27 | 26 | 25 | 24 |
| –  | –  | –  | –  | –  | –  | –  | –  |
| 23 | 22 | 21 | 20 | 19 | 18 | 17 | 16 |
| –  | –  | –  | –  | –  |    | FP |    |
| 15 | 14 | 13 | 12 | 11 | 10 | 9  | 8  |
| CD |    |    |    |    |    |    |    |
| 7  | 6  | 5  | 4  | 3  | 2  | 1  | 0  |
| CD |    |    |    |    |    |    |    |

- **CD: Clock Divider**

| CD         | USART_MODE ≠ ISO7816                |                                    |                                   | USART_MODE = ISO7816                         |
|------------|-------------------------------------|------------------------------------|-----------------------------------|--|
|            | SYNC = 0                            |                                    | SYNC = 1                          |  |
|            | OVER = 0                            | OVER = 1                           |                                   |  |
| 0          | Baud Rate Clock Disabled            |                                    |                                   |  |
| 1 to 65535 | Baud Rate =<br>Selected Clock/16/CD | Baud Rate =<br>Selected Clock/8/CD | Baud Rate =<br>Selected Clock /CD | Baud Rate = Selected<br>Clock/CD/FI_DI_RATIO |

- **FP: Fractional Part**

0: Fractional divider is disabled.

1 - 7: Baudrate resolution, defined by  $FP \times 1/8$ .

### 31.7.10 USART Receiver Time-out Register

Name: US\_RTOR

Access Type: Read/Write

|    |    |    |    |    |    |    |    |
|----|----|----|----|----|----|----|----|
| 31 | 30 | 29 | 28 | 27 | 26 | 25 | 24 |
| –  | –  | –  | –  | –  | –  | –  | –  |
| 23 | 22 | 21 | 20 | 19 | 18 | 17 | 16 |
| –  | –  | –  | –  | –  | –  | –  | –  |
| 15 | 14 | 13 | 12 | 11 | 10 | 9  | 8  |
| TO |    |    |    |    |    |    |    |
| 7  | 6  | 5  | 4  | 3  | 2  | 1  | 0  |
| TO |    |    |    |    |    |    |    |

- **TO: Time-out Value**

0: The Receiver Time-out is disabled.

1 - 65535: The Receiver Time-out is enabled and the Time-out delay is TO x Bit Period.

### 31.7.11 USART Transmitter Timeguard Register

Name: US\_TTGR

Access Type: Read/Write

|    |    |    |    |    |    |    |    |
|----|----|----|----|----|----|----|----|
| 31 | 30 | 29 | 28 | 27 | 26 | 25 | 24 |
| –  | –  | –  | –  | –  | –  | –  | –  |
| 23 | 22 | 21 | 20 | 19 | 18 | 17 | 16 |
| –  | –  | –  | –  | –  | –  | –  | –  |
| 15 | 14 | 13 | 12 | 11 | 10 | 9  | 8  |
| –  | –  | –  | –  | –  | –  | –  | –  |
| 7  | 6  | 5  | 4  | 3  | 2  | 1  | 0  |
| TG |    |    |    |    |    |    |    |

- **TG: Timeguard Value**

0: The Transmitter Timeguard is disabled.

1 - 255: The Transmitter timeguard is enabled and the timeguard delay is TG x Bit Period.



## 31.7.12 USART FI DI RATIO Register

**Name:** US\_FIDI  
**Access Type:** Read/Write  
**Reset Value :** 0x174

|             |    |    |    |    |             |    |    |
|-------------|----|----|----|----|-------------|----|----|
| 31          | 30 | 29 | 28 | 27 | 26          | 25 | 24 |
| –           | –  | –  | –  | –  | –           | –  | –  |
| 23          | 22 | 21 | 20 | 19 | 18          | 17 | 16 |
| –           | –  | –  | –  | –  | –           | –  | –  |
| 15          | 14 | 13 | 12 | 11 | 10          | 9  | 8  |
| –           | –  | –  | –  | –  | FI_DI_RATIO |    |    |
| 7           | 6  | 5  | 4  | 3  | 2           | 1  | 0  |
| FI_DI_RATIO |    |    |    |    |             |    |    |

- **FI\_DI\_RATIO: FI Over DI Ratio Value**

0: If ISO7816 mode is selected, the Baud Rate Generator generates no signal.

1 - 2047: If ISO7816 mode is selected, the Baud Rate is the clock provided on SCK divided by FI\_DI\_RATIO.

## 31.7.13 USART Number of Errors Register

**Name:** US\_NER  
**Access Type:** Read-only

|           |    |    |    |    |    |    |    |
|-----------|----|----|----|----|----|----|----|
| 31        | 30 | 29 | 28 | 27 | 26 | 25 | 24 |
| –         | –  | –  | –  | –  | –  | –  | –  |
| 23        | 22 | 21 | 20 | 19 | 18 | 17 | 16 |
| –         | –  | –  | –  | –  | –  | –  | –  |
| 15        | 14 | 13 | 12 | 11 | 10 | 9  | 8  |
| –         | –  | –  | –  | –  | –  | –  | –  |
| 7         | 6  | 5  | 4  | 3  | 2  | 1  | 0  |
| NB_ERRORS |    |    |    |    |    |    |    |

- **NB\_ERRORS: Number of Errors**

Total number of errors that occurred during an ISO7816 transfer. This register automatically clears when read.

### 31.7.14 USART Manchester Configuration Register

Name: US\_MAN

Access Type: Read/Write

|    |       |    |         |       |    |       |    |
|----|-------|----|---------|-------|----|-------|----|
| 31 | 30    | 29 | 28      | 27    | 26 | 25    | 24 |
| –  | DRIFT | –  | RX_MPOL | –     | –  | RX_PP |    |
| 23 | 22    | 21 | 20      | 19    | 18 | 17    | 16 |
| –  | –     | –  | –       | RX_PL |    |       |    |
| 15 | 14    | 13 | 12      | 11    | 10 | 9     | 8  |
| –  | –     | –  | TX_MPOL | –     | –  | TX_PP |    |
| 7  | 6     | 5  | 4       | 3     | 2  | 1     | 0  |
| –  | –     | –  | –       | TX_PL |    |       |    |

- **TX\_PL: Transmitter Preamble Length**

0: The Transmitter Preamble pattern generation is disabled

1 - 15: The Preamble Length is TX\_PL x Bit Period

- **TX\_PP: Transmitter Preamble Pattern**

| TX_PP |   | Preamble Pattern default polarity assumed (TX_MPOL field not set) |
|-------|---|---|
| 0     | 0 | ALL_ONE   |
| 0     | 1 | ALL_ZERO  |
| 1     | 0 | ZERO_ONE  |
| 1     | 1 | ONE_ZERO  |

- **TX\_MPOL: Transmitter Manchester Polarity**

0: Logic Zero is coded as a zero-to-one transition, Logic One is coded as a one-to-zero transition.

1: Logic Zero is coded as a one-to-zero transition, Logic One is coded as a zero-to-one transition.

- **RX\_PL: Receiver Preamble Length**

0: The receiver preamble pattern detection is disabled

1 - 15: The detected preamble length is RX\_PL x Bit Period

- **RX\_PP: Receiver Preamble Pattern detected**

| RX_PP |   | Preamble Pattern default polarity assumed (RX_MPOL field not set) |
|-------|---|---|
| 0     | 0 | ALL_ONE   |
| 0     | 1 | ALL_ZERO  |
| 1     | 0 | ZERO_ONE  |
| 1     | 1 | ONE_ZERO  |

- **RX\_MPOL: Receiver Manchester Polarity**

0: Logic Zero is coded as a zero-to-one transition, Logic One is coded as a one-to-zero transition.

1: Logic Zero is coded as a one-to-zero transition, Logic One is coded as a zero-to-one transition.

- **DRIFT: Drift compensation**

0: The USART can not recover from an important clock drift

1: The USART can recover from clock drift. The 16X clock mode must be enabled.



**31.7.15 USART IrDA FILTER Register**

**Name:** US\_IF

**Access Type:** Read/Write

|             |    |    |    |    |    |    |    |
|-------------|----|----|----|----|----|----|----|
| 31          | 30 | 29 | 28 | 27 | 26 | 25 | 24 |
| -           | -  | -  | -  | -  | -  | -  | -  |
| 23          | 22 | 21 | 20 | 19 | 18 | 17 | 16 |
| -           | -  | -  | -  | -  | -  | -  | -  |
| 15          | 14 | 13 | 12 | 11 | 10 | 9  | 8  |
| -           | -  | -  | -  | -  | -  | -  | -  |
| 7           | 6  | 5  | 4  | 3  | 2  | 1  | 0  |
| IRDA_FILTER |    |    |    |    |    |    |    |

• **IRDA\_FILTER: IrDA Filter**

Sets the filter of the IrDA demodulator.



## **32. Synchronous Serial Controller (SSC)**

### **32.1 Overview**

The Atmel Synchronous Serial Controller (SSC) provides a synchronous communication link with external devices. It supports many serial synchronous communication protocols generally used in audio and telecom applications such as I2S, Short Frame Sync, Long Frame Sync, etc.

The SSC contains an independent receiver and transmitter and a common clock divider. The receiver and the transmitter each interface with three signals: the TD/RD signal for data, the TK/RK signal for the clock and the TF/RF signal for the Frame Sync. The transfers can be programmed to start automatically or on different events detected on the Frame Sync signal.

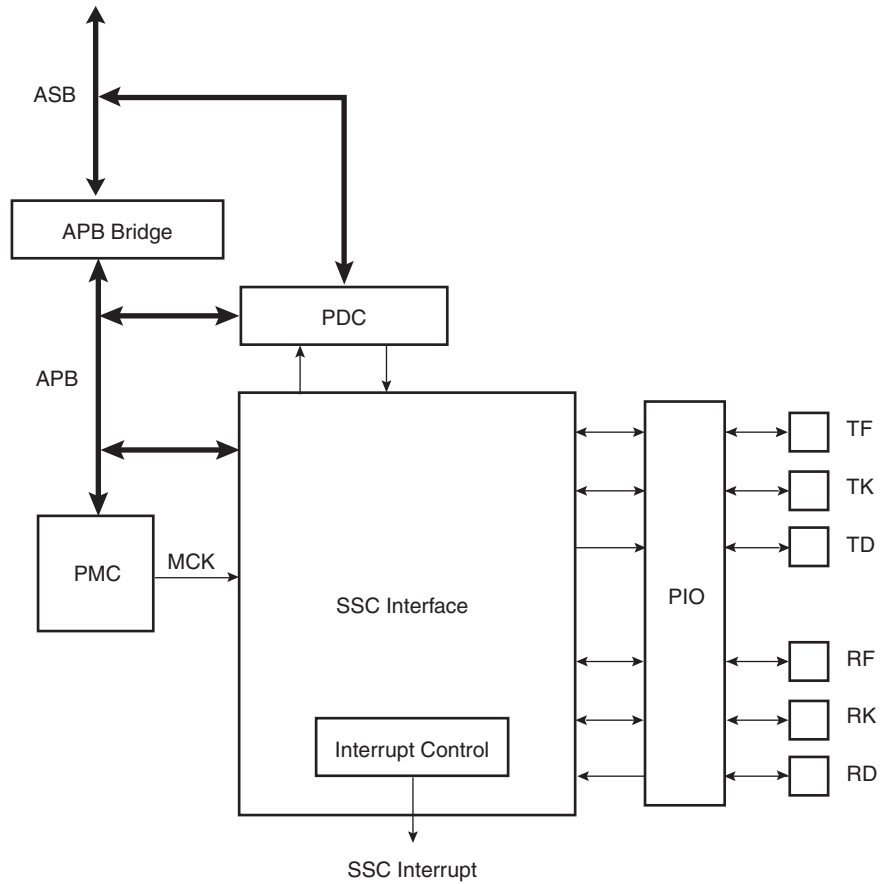
The SSC's high-level of programmability and its two dedicated PDC channels of up to 32 bits permit a continuous high bit rate data transfer without processor intervention.

Featuring connection to two PDC channels, the SSC permits interfacing with low processor overhead to the following:

- CODEC's in master or slave mode
- DAC through dedicated serial interface, particularly I2S
- Magnetic card reader

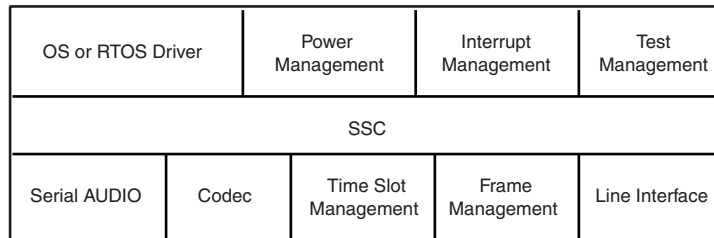
### 32.2 Block Diagram

Figure 32-1. Block Diagram



### 32.3 Application Block Diagram

Figure 32-2. Application Block Diagram



## 32.4 Pin Name List

**Table 32-1.** I/O Lines Description

| Pin Name | Pin Description           | Type         |
|----------|---------------------------|--------------|
| RF       | Receiver Frame Synchro    | Input/Output |
| RK       | Receiver Clock            | Input/Output |
| RD       | Receiver Data             | Input        |
| TF       | Transmitter Frame Synchro | Input/Output |
| TK       | Transmitter Clock         | Input/Output |
| TD       | Transmitter Data          | Output       |

## 32.5 Product Dependencies

### 32.5.1 I/O Lines

The pins used for interfacing the compliant external devices may be multiplexed with PIO lines.

Before using the SSC receiver, the PIO controller must be configured to dedicate the SSC receiver I/O lines to the SSC peripheral mode.

Before using the SSC transmitter, the PIO controller must be configured to dedicate the SSC transmitter I/O lines to the SSC peripheral mode.

### 32.5.2 Power Management

The SSC is not continuously clocked. The SSC interface may be clocked through the Power Management Controller (PMC), therefore the programmer must first configure the PMC to enable the SSC clock.

### 32.5.3 Interrupt

The SSC interface has an interrupt line connected to the Advanced Interrupt Controller (AIC). Handling interrupts requires programming the AIC before configuring the SSC.

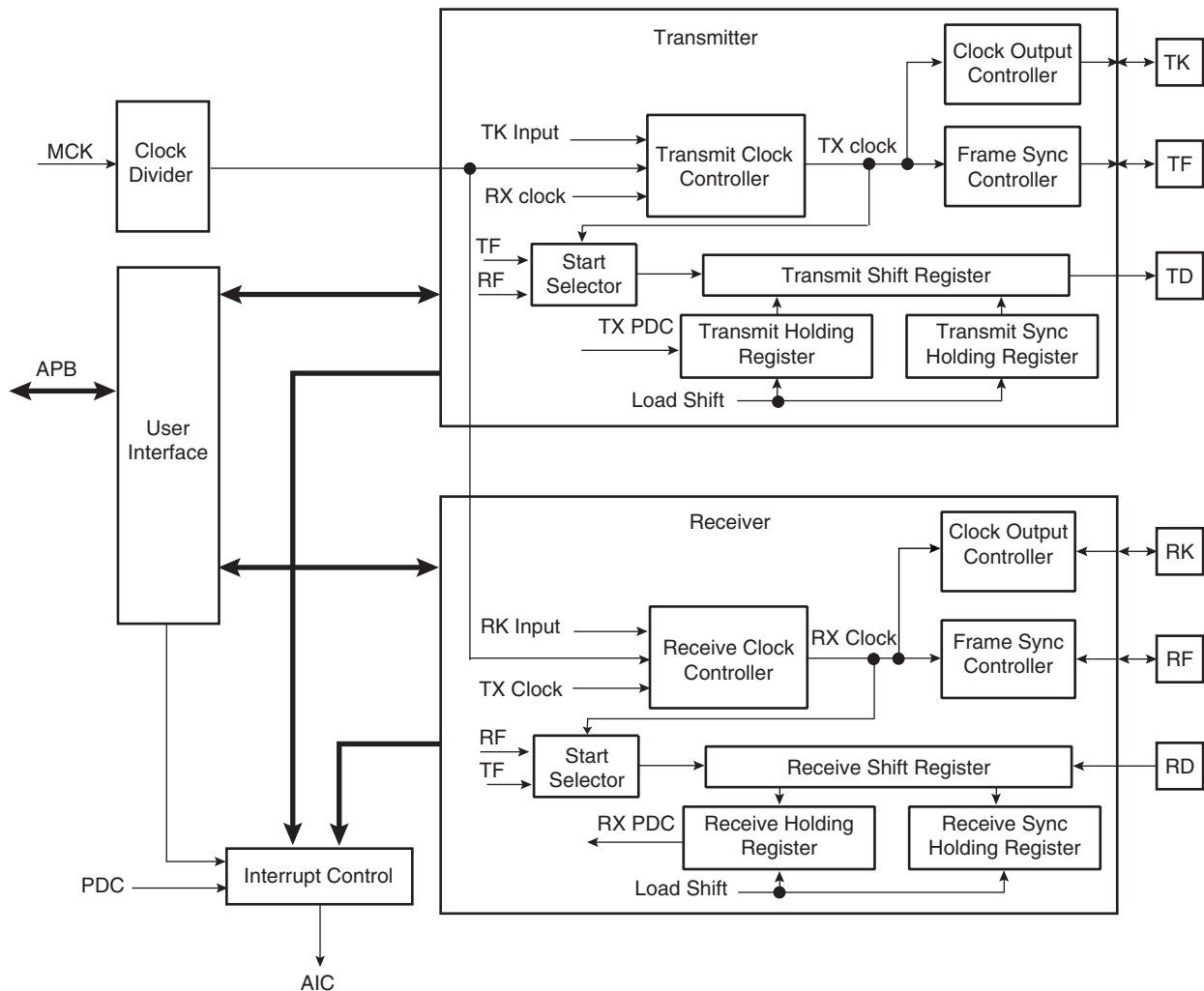
All SSC interrupts can be enabled/disabled configuring the SSC Interrupt mask register. Each pending and unmasked SSC interrupt will assert the SSC interrupt line. The SSC interrupt service routine can get the interrupt origin by reading the SSC interrupt status register.

## 32.6 Functional Description

This chapter contains the functional description of the following: SSC Functional Block, Clock Management, Data format, Start, Transmitter, Receiver and Frame Sync.

The receiver and transmitter operate separately. However, they can work synchronously by programming the receiver to use the transmit clock and/or to start a data transfer when transmission starts. Alternatively, this can be done by programming the transmitter to use the receive clock and/or to start a data transfer when reception starts. The transmitter and the receiver can be programmed to operate with the clock signals provided on either the TK or RK pins. This allows the SSC to support many slave-mode data transfers. The maximum clock speed allowed on the TK and RK pins is the master clock divided by 2.

**Figure 32-3. SSC Functional Block Diagram**



### 32.6.1 Clock Management

The transmitter clock can be generated by:

- an external clock received on the TK I/O pad
- the receiver clock
- the internal clock divider

The receiver clock can be generated by:

- an external clock received on the RK I/O pad
- the transmitter clock
- the internal clock divider

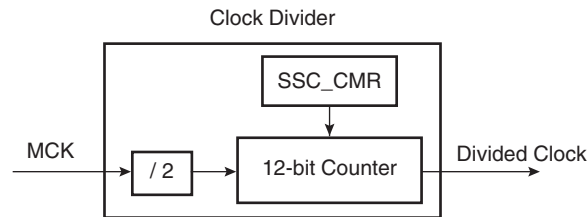
Furthermore, the transmitter block can generate an external clock on the TK I/O pad, and the receiver block can generate an external clock on the RK I/O pad.

This allows the SSC to support many Master and Slave Mode data transfers.



## 32.6.1.1 Clock Divider

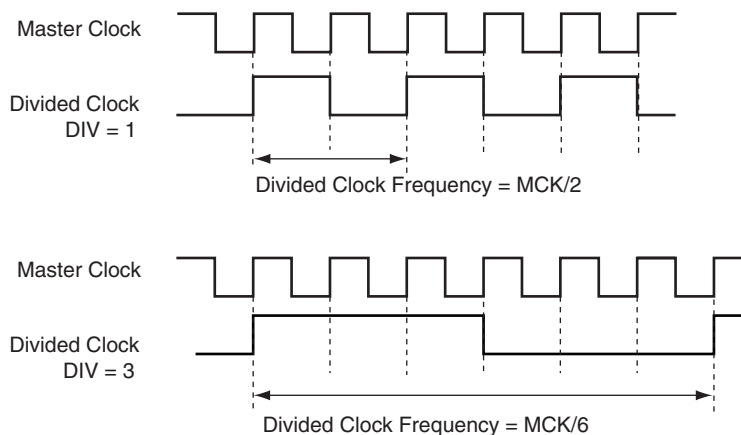
**Figure 32-4.** Divided Clock Block Diagram



The Master Clock divider is determined by the 12-bit field DIV counter and comparator (so its maximal value is 4095) in the Clock Mode Register SSC\_CMCR, allowing a Master Clock division by up to 8190. The Divided Clock is provided to both the Receiver and Transmitter. When this field is programmed to 0, the Clock Divider is not used and remains inactive.

When DIV is set to a value equal to or greater than 1, the Divided Clock has a frequency of Master Clock divided by 2 times DIV. Each level of the Divided Clock has a duration of the Master Clock multiplied by DIV. This ensures a 50% duty cycle for the Divided Clock regardless of whether the DIV value is even or odd.

**Figure 32-5.** Divided Clock Generation



**Table 32-2.**

| Maximum | Minimum    |
|---------|------------|
| MCK / 2 | MCK / 8190 |

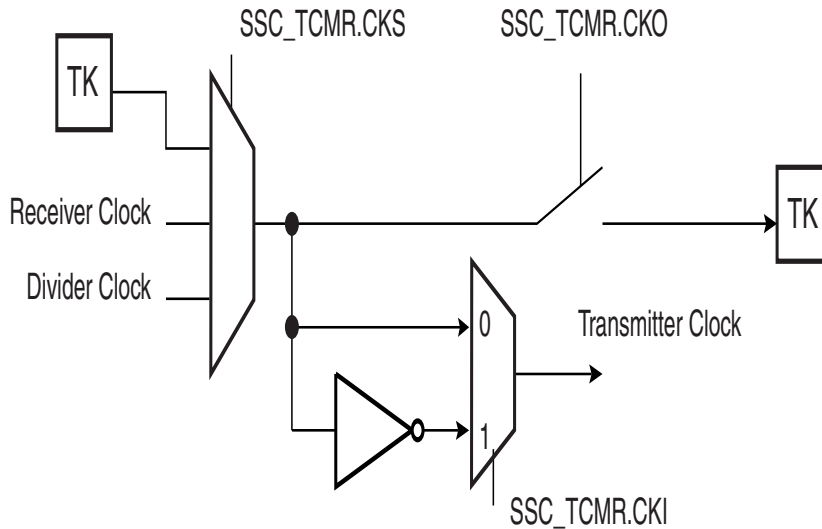
## 32.6.1.2 Transmitter Clock Management

The transmitter clock is generated from the receiver clock or the divider clock or an external clock scanned on the TK I/O pad. The transmitter clock is selected by the CKS field in SSC\_TCMR (Transmit Clock Mode Register). Transmit Clock can be inverted independently by the CKI bits in SSC\_TCMR.

The transmitter can also drive the TK I/O pad continuously or be limited to the actual data transfer. The clock output is configured by the SSC\_TCMR register. The Transmit Clock Inversion (CKI) bits have no effect on the clock outputs. Programming the TCMR register to select

TK pin (CKS field) and at the same time Continuous Transmit Clock (CKO field) might lead to unpredictable results.

**Figure 32-6.** Transmitter Clock Management

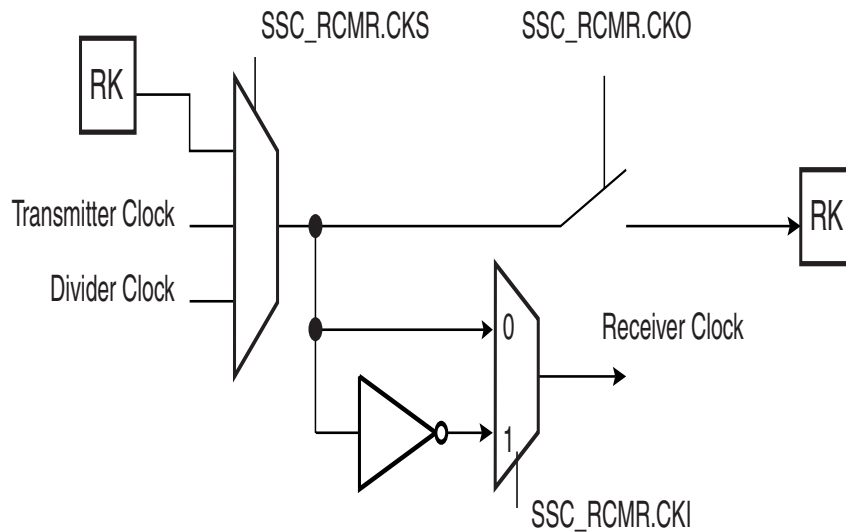


### 32.6.1.3 Receiver Clock Management

The receiver clock is generated from the transmitter clock or the divider clock or an external clock scanned on the RK I/O pad. The Receive Clock is selected by the CKS field in SSC\_RCMR (Receive Clock Mode Register). Receive Clocks can be inverted independently by the CKI bits in SSC\_RCMR.

The receiver can also drive the RK I/O pad continuously or be limited to the actual data transfer. The clock output is configured by the SSC\_RCMR register. The Receive Clock Inversion (CKI) bits have no effect on the clock outputs. Programming the RCMR register to select RK pin (CKS field) and at the same time Continuous Receive Clock (CKO field) can lead to unpredictable results.

**Figure 32-7.** Receiver Clock Management



## 32.6.1.4 Serial Clock Ratio Considerations

The Transmitter and the Receiver can be programmed to operate with the clock signals provided on either the TK or RK pins. This allows the SSC to support many slave-mode data transfers. In this case, the maximum clock speed allowed on the RK pin is:

- Master Clock divided by 2 if Receiver Frame Synchro is input
- Master Clock divided by 3 if Receiver Frame Synchro is output

In addition, the maximum clock speed allowed on the TK pin is:

- Master Clock divided by 6 if Transmit Frame Synchro is input
- Master Clock divided by 2 if Transmit Frame Synchro is output

## 32.6.2 Transmitter Operations

A transmitted frame is triggered by a start event and can be followed by synchronization data before data transmission.

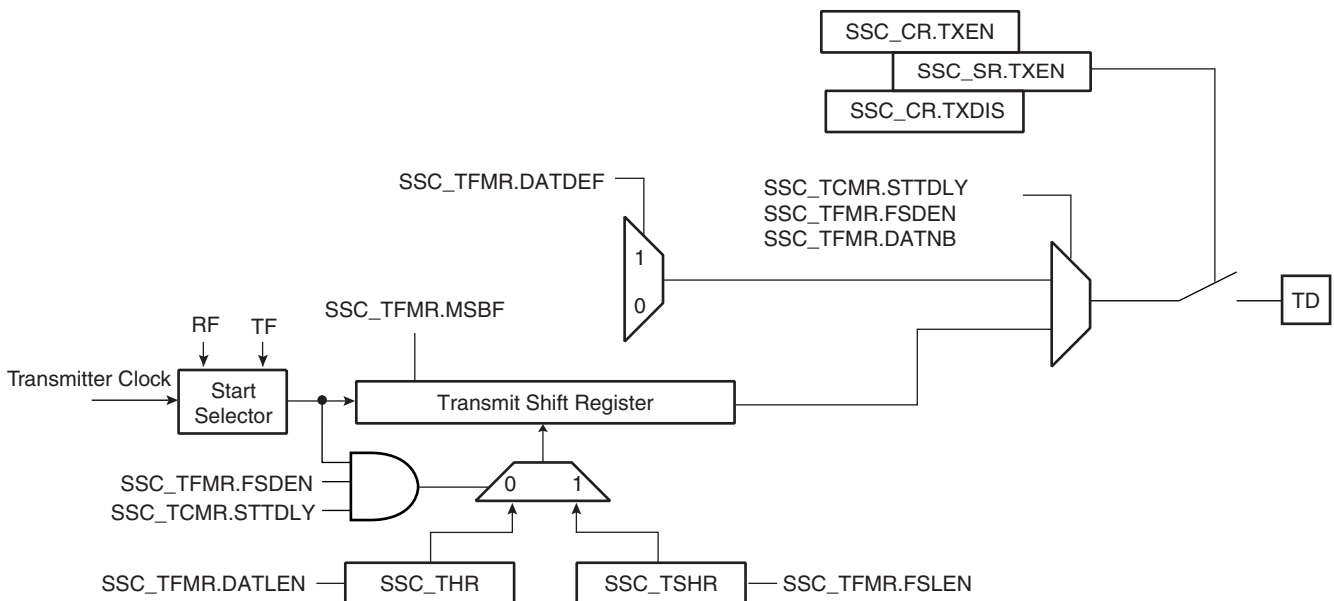
The start event is configured by setting the Transmit Clock Mode Register (SSC\_TCMR). See “Start” on page 356.

The frame synchronization is configured setting the Transmit Frame Mode Register (SSC\_TFMR). See “Frame Sync” on page 358.

To transmit data, the transmitter uses a shift register clocked by the transmitter clock signal and the start mode selected in the SSC\_TCMR. Data is written by the application to the SSC\_THR register then transferred to the shift register according to the data format selected.

When both the SSC\_THR and the transmit shift register are empty, the status flag TXEMPTY is set in SSC\_SR. When the Transmit Holding register is transferred in the Transmit shift register, the status flag TXRDY is set in SSC\_SR and additional data can be loaded in the holding register.

**Figure 32-8.** Transmitter Block Diagram



### 32.6.3 Receiver Operations

A received frame is triggered by a start event and can be followed by synchronization data before data transmission.

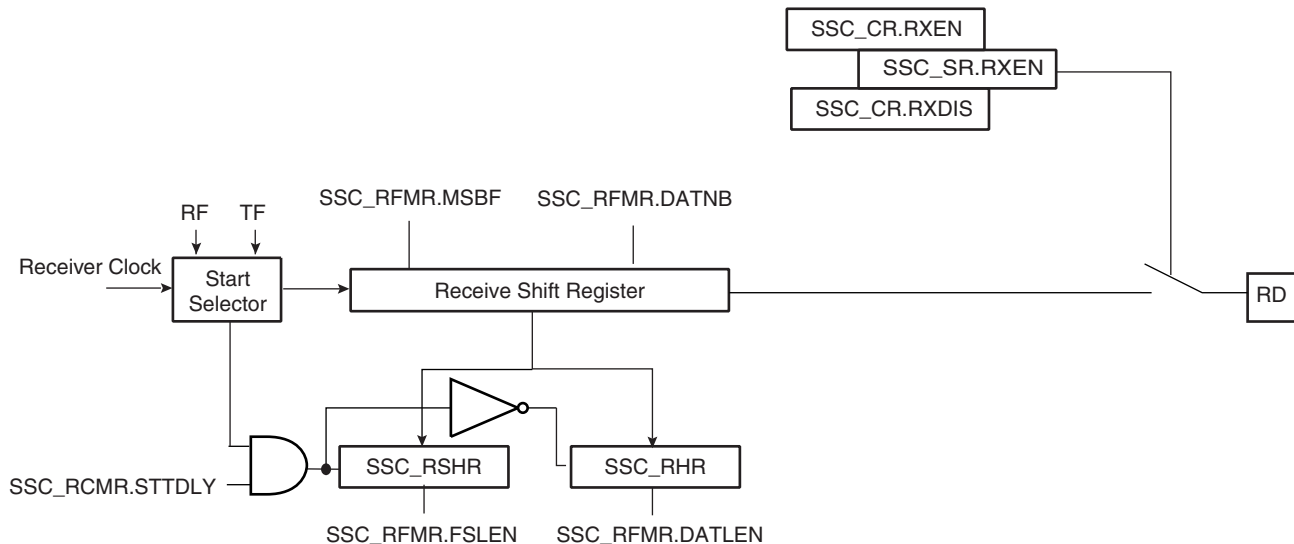
The start event is configured setting the Receive Clock Mode Register (SSC\_RCMR). See “Start” on page 356.

The frame synchronization is configured setting the Receive Frame Mode Register (SSC\_RFMR). See “Frame Sync” on page 358.

The receiver uses a shift register clocked by the receiver clock signal and the start mode selected in the SSC\_RCMR. The data is transferred from the shift register depending on the data format selected.

When the receiver shift register is full, the SSC transfers this data in the holding register, the status flag RXRDY is set in SSC\_SR and the data can be read in the receiver holding register. If another transfer occurs before read of the RHR register, the status flag OVERUN is set in SSC\_SR and the receiver shift register is transferred in the RHR register.

**Figure 32-9.** Receiver Block Diagram



### 32.6.4 Start

The transmitter and receiver can both be programmed to start their operations when an event occurs, respectively in the Transmit Start Selection (START) field of SSC\_TCMR and in the Receive Start Selection (START) field of SSC\_RCMR.

Under the following conditions the start event is independently programmable:

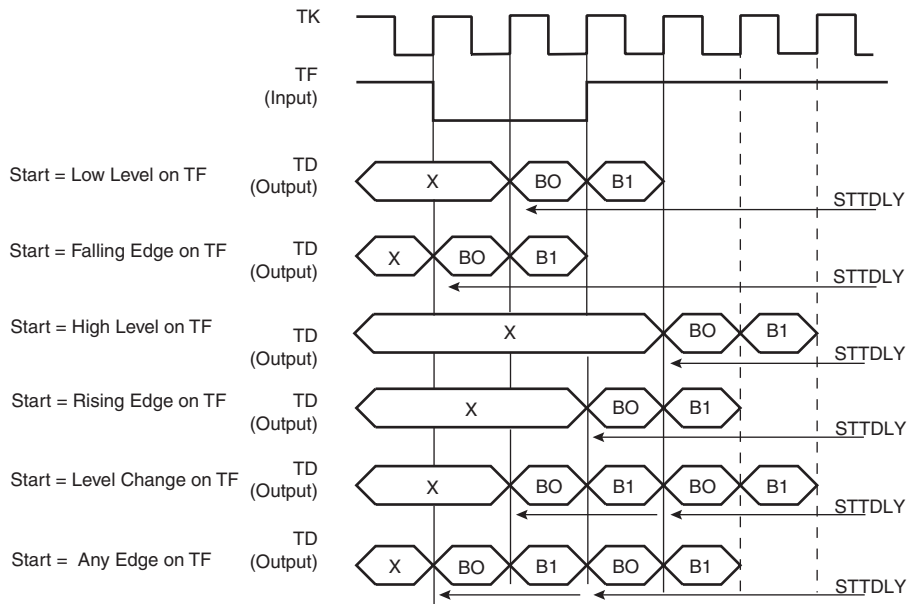
- Continuous. In this case, the transmission starts as soon as a word is written in SSC\_THR and the reception starts as soon as the Receiver is enabled.
- Synchronously with the transmitter/receiver
- On detection of a falling/rising edge on TF/RF
- On detection of a low level/high level on TF/RF
- On detection of a level change or an edge on TF/RF

A start can be programmed in the same manner on either side of the Transmit/Receive Clock Register (RCMR/TCMR). Thus, the start could be on TF (Transmit) or RF (Receive).

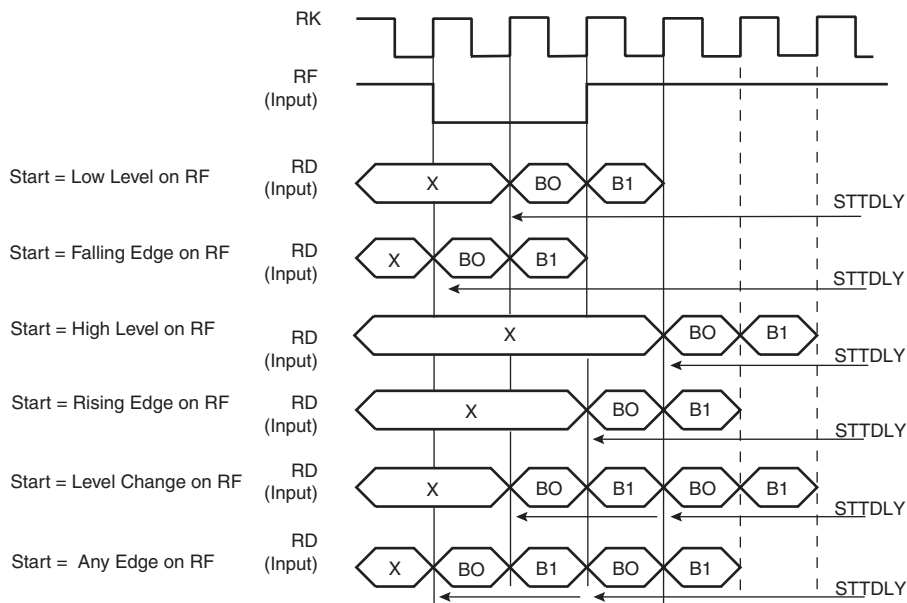
Moreover, the Receiver can start when data is detected in the bit stream with the Compare Functions.

Detection on TF/RF input/output is done by the field FSOS of the Transmit/Receive Frame Mode Register (TFMR/RFMR).

**Figure 32-10. Transmit Start Mode**



**Figure 32-11. Receive Pulse/Edge Start Modes**



### 32.6.5 Frame Sync

The Transmitter and Receiver Frame Sync pins, TF and RF, can be programmed to generate different kinds of frame synchronization signals. The Frame Sync Output Selection (FSOS) field in the Receive Frame Mode Register (SSC\_RFMR) and in the Transmit Frame Mode Register (SSC\_TFMR) are used to select the required waveform.

- Programmable low or high levels during data transfer are supported.
- Programmable high levels before the start of data transfers or toggling are also supported.

If a pulse waveform is selected, the Frame Sync Length (FSLEN) field in SSC\_RFMR and SSC\_TFMR programs the length of the pulse, from 1 bit time up to 16 bit time.

The periodicity of the Receive and Transmit Frame Sync pulse output can be programmed through the Period Divider Selection (PERIOD) field in SSC\_RCMR and SSC\_TCMR.

#### 32.6.5.1 Frame Sync Data

Frame Sync Data transmits or receives a specific tag during the Frame Sync signal.

During the Frame Sync signal, the Receiver can sample the RD line and store the data in the Receive Sync Holding Register and the transmitter can transfer Transmit Sync Holding Register in the Shifter Register. The data length to be sampled/shifted out during the Frame Sync signal is programmed by the FSLEN field in SSC\_RFMR/SSC\_TFMR.

Concerning the Receive Frame Sync Data operation, if the Frame Sync Length is equal to or lower than the delay between the start event and the actual data reception, the data sampling operation is performed in the Receive Sync Holding Register through the Receive Shift Register.

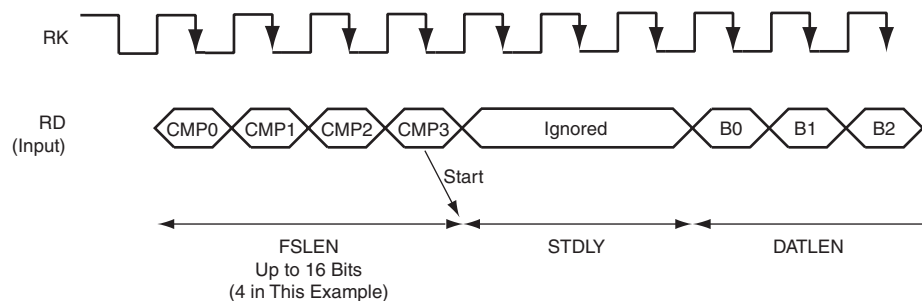
The Transmit Frame Sync Operation is performed by the transmitter only if the bit Frame Sync Data Enable (FSDEN) in SSC\_TFMR is set. If the Frame Sync length is equal to or lower than the delay between the start event and the actual data transmission, the normal transmission has priority and the data contained in the Transmit Sync Holding Register is transferred in the Transmit Register, then shifted out.

#### 32.6.5.2 Frame Sync Edge Detection

The Frame Sync Edge detection is programmed by the FSEDGE field in SSC\_RFMR/SSC\_TFMR. This sets the corresponding flags RXSYN/TXSYN in the SSC Status Register (SSC\_SR) on frame synchro edge detection (signals RF/TF).

### 32.6.6 Receive Compare Modes

**Figure 32-12.** Receive Compare Modes



## 32.6.6.1 Compare Functions

Compare 0 can be one start event of the Receiver. In this case, the receiver compares at each new sample the last FSLEN bits received at the FSLEN lower bit of the data contained in the Compare 0 Register (SSC\_RC0R). When this start event is selected, the user can program the Receiver to start a new data transfer either by writing a new Compare 0, or by receiving continuously until Compare 1 occurs. This selection is done with the bit (STOP) in SSC\_RCMR.

## 32.6.7 Data Format

The data framing format of both the transmitter and the receiver are programmable through the Transmitter Frame Mode Register (SSC\_TFMR) and the Receiver Frame Mode Register (SSC\_RFMR). In either case, the user can independently select:

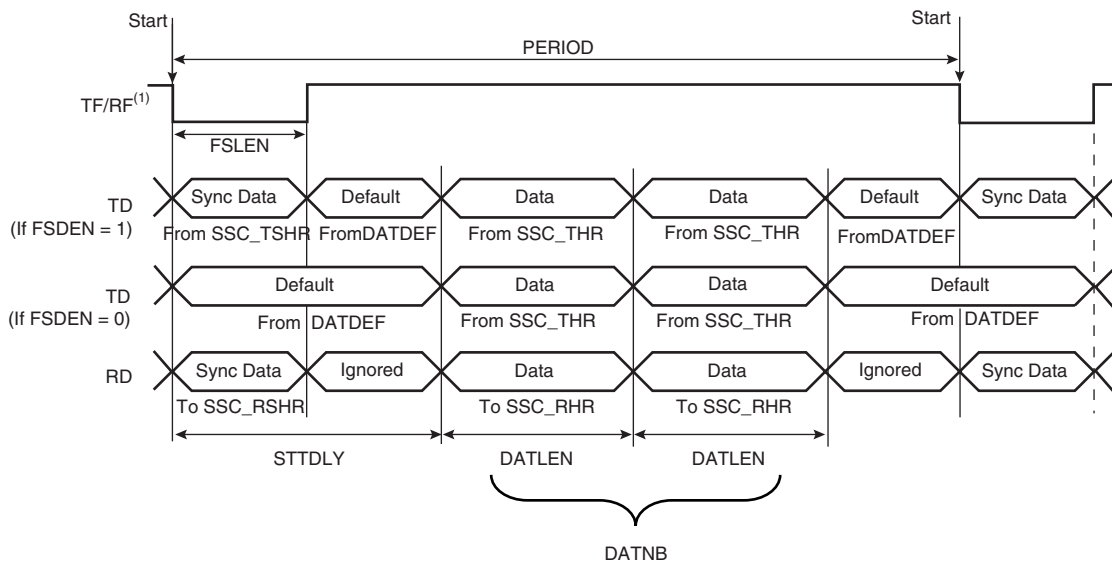
- the event that starts the data transfer (START)
- the delay in number of bit periods between the start event and the first data bit (STTDLY)
- the length of the data (DATLEN)
- the number of data to be transferred for each start event (DATNB).
- the length of synchronization transferred for each start event (FSLEN)
- the bit sense: most or lowest significant bit first (MSBF).

Additionally, the transmitter can be used to transfer synchronization and select the level driven on the TD pin while not in data transfer operation. This is done respectively by the Frame Sync Data Enable (FSDEN) and by the Data Default Value (DATDEF) bits in SSC\_TFMR.

**Table 32-3.** Data Frame Registers

| Transmitter | Receiver | Field  | Length    | Comment                              |
|-------------|----------|--------|-----------|--------------------------------------|
| SSC_TFMR    | SSC_RFMR | DATLEN | Up to 32  | Size of word                         |
| SSC_TFMR    | SSC_RFMR | DATNB  | Up to 16  | Number of words transmitted in frame |
| SSC_TFMR    | SSC_RFMR | MSBF   |           | Most significant bit first           |
| SSC_TFMR    | SSC_RFMR | FSLEN  | Up to 16  | Size of Synchro data register        |
| SSC_TFMR    |          | DATDEF | 0 or 1    | Data default value ended             |
| SSC_TFMR    |          | FSDEN  |           | Enable send SSC_TSHR                 |
| SSC_TCMR    | SSC_RCMR | PERIOD | Up to 512 | Frame size                           |
| SSC_TCMR    | SSC_RCMR | STTDLY | Up to 255 | Size of transmit start delay         |

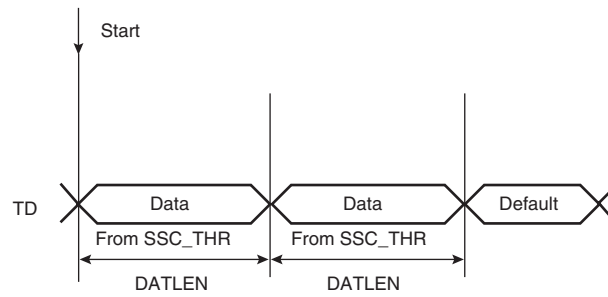
**Figure 32-13.** Transmit and Receive Frame Format in Edge/Pulse Start Modes



Note: 1. Example of input on falling edge of TF/RF.



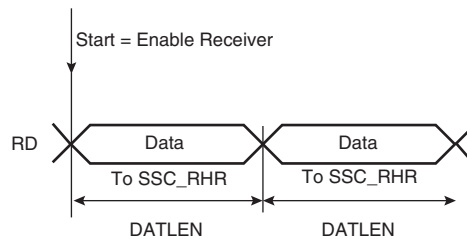
**Figure 32-14. Transmit Frame Format in Continuous Mode**



Start: 1. TXEMPTY set to 1  
2. Write into the SSC\_THR

Note: 1. STTDLY is set to 0. In this example, SSC\_THR is loaded twice. FSDEN value has no effect on the transmission. SyncData cannot be output in continuous mode.

**Figure 32-15. Receive Frame Format in Continuous Mode**



Note: 1. STTDLY is set to 0.

### 32.6.8 Loop Mode

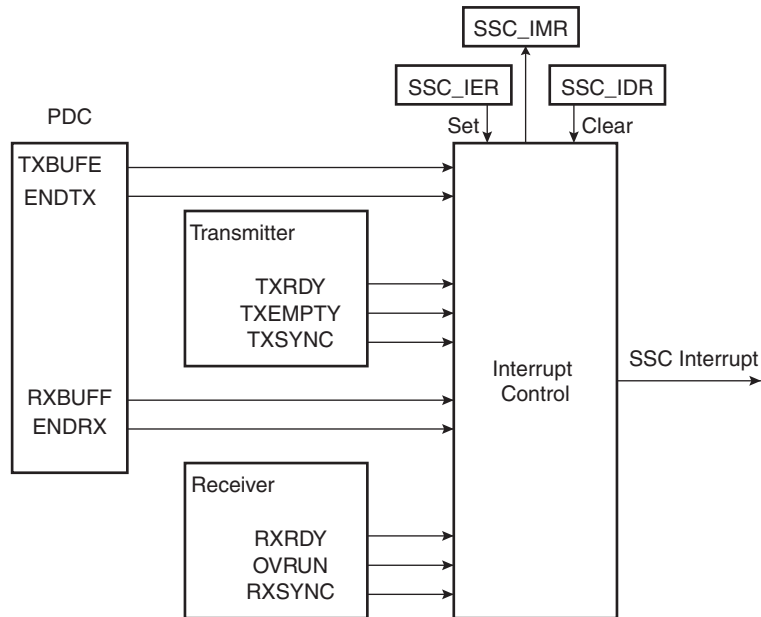
The receiver can be programmed to receive transmissions from the transmitter. This is done by setting the Loop Mode (LOOP) bit in SSC\_RFMR. In this case, RD is connected to TD, RF is connected to TF and RK is connected to TK.

### 32.6.9 Interrupt

Most bits in SSC\_SR have a corresponding bit in interrupt management registers.

The SSC can be programmed to generate an interrupt when it detects an event. The interrupt is controlled by writing SSC\_IER (Interrupt Enable Register) and SSC\_IDR (Interrupt Disable Register) These registers enable and disable, respectively, the corresponding interrupt by setting and clearing the corresponding bit in SSC\_IMR (Interrupt Mask Register), which controls the generation of interrupts by asserting the SSC interrupt line connected to the AIC.

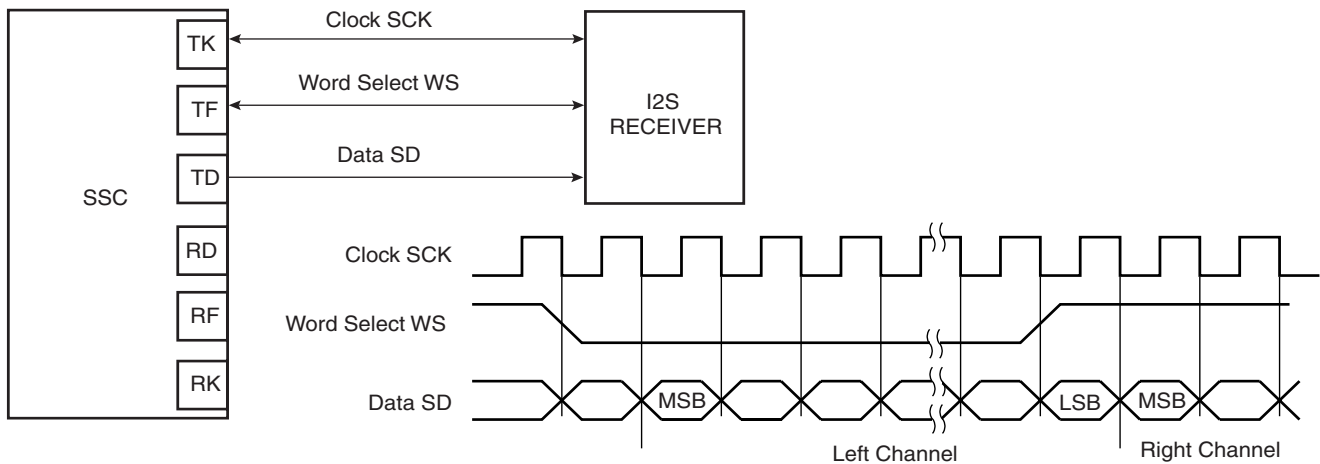
**Figure 32-16.** Interrupt Block Diagram



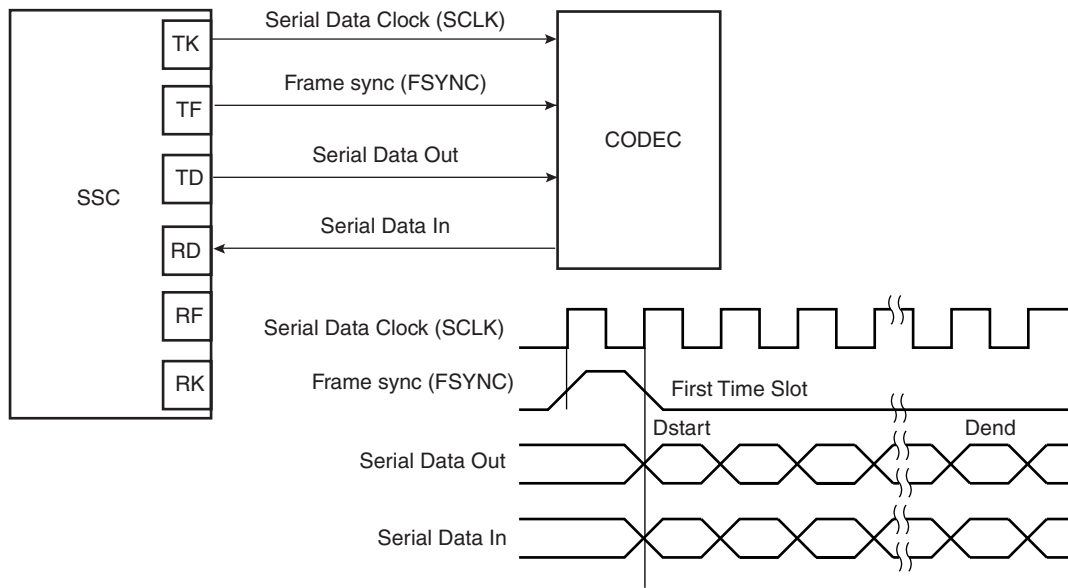
### 32.7 SSC Application Examples

The SSC can support several serial communication modes used in audio or high speed serial links. Some standard applications are shown in the following figures. All serial link applications supported by the SSC are not listed here.

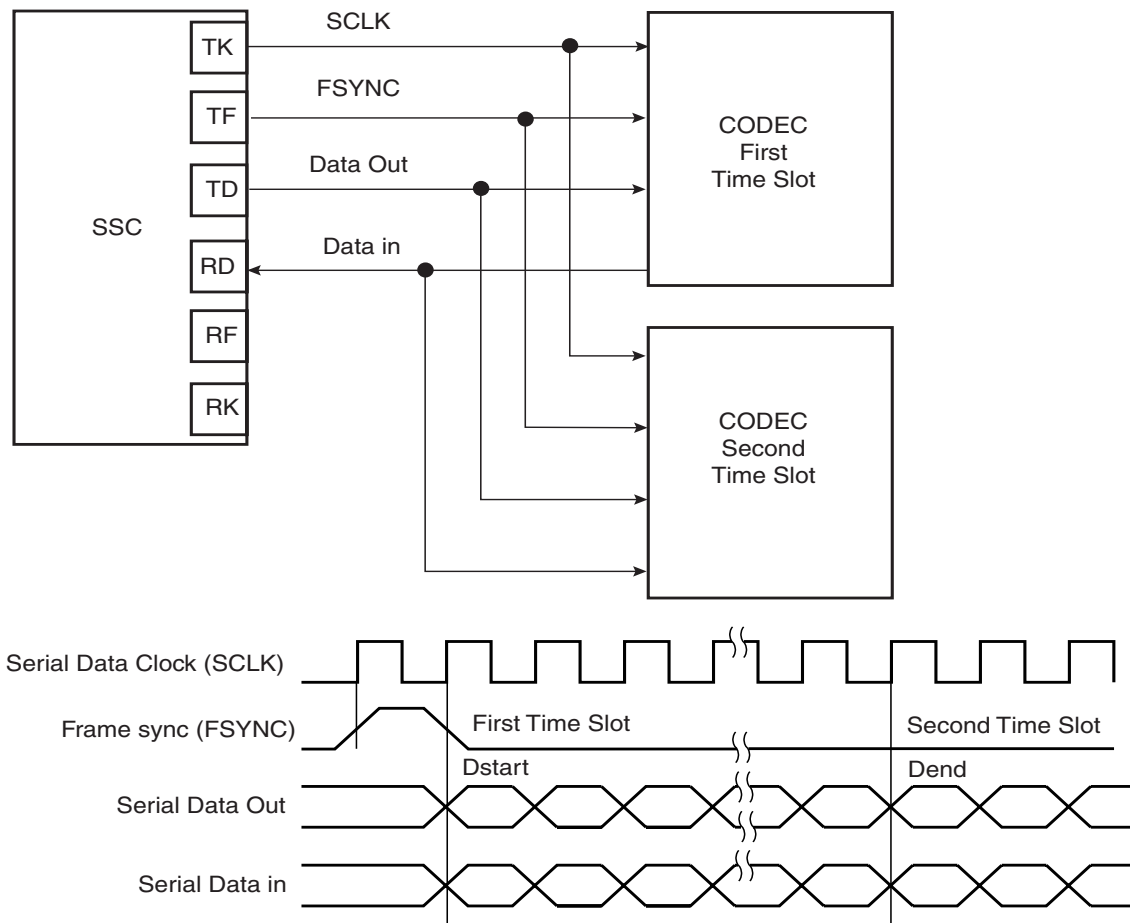
**Figure 32-17.** Audio Application Block Diagram



**Figure 32-18. Codec Application Block Diagram**



**Figure 32-19. Time Slot Application Block Diagram**



## 32.8 Synchronous Serial Controller (SSC) User Interface

**Table 32-4.** Register Mapping

| Offset       | Register                                      | Register Name | Access     | Reset      |
|--------------|---|---------------|------------|------------|
| 0x0          | Control Register                              | SSC_CR        | Write      | –          |
| 0x4          | Clock Mode Register                           | SSC_CMR       | Read/Write | 0x0        |
| 0x8          | Reserved                                      | –             | –          | –          |
| 0xC          | Reserved                                      | –             | –          | –          |
| 0x10         | Receive Clock Mode Register                   | SSC_RCMR      | Read/Write | 0x0        |
| 0x14         | Receive Frame Mode Register                   | SSC_RFMR      | Read/Write | 0x0        |
| 0x18         | Transmit Clock Mode Register                  | SSC_TCMR      | Read/Write | 0x0        |
| 0x1C         | Transmit Frame Mode Register                  | SSC_TFMR      | Read/Write | 0x0        |
| 0x20         | Receive Holding Register                      | SSC_RHR       | Read       | 0x0        |
| 0x24         | Transmit Holding Register                     | SSC_THR       | Write      | –          |
| 0x28         | Reserved                                      | –             | –          | –          |
| 0x2C         | Reserved                                      | –             | –          | –          |
| 0x30         | Receive Sync. Holding Register                | SSC_RSHR      | Read       | 0x0        |
| 0x34         | Transmit Sync. Holding Register               | SSC_TSHR      | Read/Write | 0x0        |
| 0x38         | Receive Compare 0 Register                    | SSC_RC0R      | Read/Write | 0x0        |
| 0x3C         | Receive Compare 1 Register                    | SSC_RC1R      | Read/Write | 0x0        |
| 0x40         | Status Register                               | SSC_SR        | Read       | 0x000000CC |
| 0x44         | Interrupt Enable Register                     | SSC_IER       | Write      | –          |
| 0x48         | Interrupt Disable Register                    | SSC_IDR       | Write      | –          |
| 0x4C         | Interrupt Mask Register                       | SSC_IMR       | Read       | 0x0        |
| 0x50-0xFC    | Reserved                                      | –             | –          | –          |
| 0x100- 0x124 | Reserved for Peripheral Data Controller (PDC) | –             | –          | –          |

## 32.8.1 SSC Control Register

**Name:** SSC\_CR

**Access Type:** Write-only

|       |    |    |    |    |    |       |      |
|-------|----|----|----|----|----|-------|------|
| 31    | 30 | 29 | 28 | 27 | 26 | 25    | 24   |
| –     | –  | –  | –  | –  | –  | –     | –    |
| 23    | 22 | 21 | 20 | 19 | 18 | 17    | 16   |
| –     | –  | –  | –  | –  | –  | –     | –    |
| 15    | 14 | 13 | 12 | 11 | 10 | 9     | 8    |
| SWRST | –  | –  | –  | –  | –  | TXDIS | TXEN |
| 7     | 6  | 5  | 4  | 3  | 2  | 1     | 0    |
| –     | –  | –  | –  | –  | –  | RXDIS | RXEN |

- **RXEN: Receive Enable**

0: No effect.

1: Enables Receive if RXDIS is not set.

- **RXDIS: Receive Disable**

0: No effect.

1: Disables Receive. If a character is currently being received, disables at end of current character reception.

- **TXEN: Transmit Enable**

0: No effect.

1: Enables Transmit if TXDIS is not set.

- **TXDIS: Transmit Disable**

0: No effect.

1: Disables Transmit. If a character is currently being transmitted, disables at end of current character transmission.

- **SWRST: Software Reset**

0: No effect.

1: Performs a software reset. Has priority on any other bit in SSC\_CR.

## 32.8.2 SSC Clock Mode Register

**Name:** SSC\_CMCR

**Access Type:** Read/Write

|     |    |    |    |     |    |    |    |
|-----|----|----|----|-----|----|----|----|
| 31  | 30 | 29 | 28 | 27  | 26 | 25 | 24 |
| -   | -  | -  | -  | -   | -  | -  | -  |
| 23  | 22 | 21 | 20 | 19  | 18 | 17 | 16 |
| -   | -  | -  | -  | -   | -  | -  | -  |
| 15  | 14 | 13 | 12 | 11  | 10 | 9  | 8  |
| -   | -  | -  | -  | DIV |    |    |    |
| 7   | 6  | 5  | 4  | 3   | 2  | 1  | 0  |
| DIV |    |    |    |     |    |    |    |

- **DIV: Clock Divider**

0: The Clock Divider is not active.

Any Other Value: The Divided Clock equals the Master Clock divided by 2 times DIV. The maximum bit rate is  $MCK/2$ . The minimum bit rate is  $MCK/2 \times 4095 = MCK/8190$ .

## 32.8.3 SSC Receive Clock Mode Register

**Name:** SSC\_RCMR

**Access Type:** Read/Write

|        |    |     |      |       |    |     |    |  |
|--------|----|-----|------|-------|----|-----|----|--|
| 31     | 30 | 29  | 28   | 27    | 26 | 25  | 24 |  |
| PERIOD |    |     |      |       |    |     |    |  |
| 23     | 22 | 21  | 20   | 19    | 18 | 17  | 16 |  |
| STDDL  |    |     |      |       |    |     |    |  |
| 15     | 14 | 13  | 12   | 11    | 10 | 9   | 8  |  |
| -      | -  | -   | STOP | START |    |     |    |  |
| 7      | 6  | 5   | 4    | 3     | 2  | 1   | 0  |  |
| CKG    |    | CKI | CKO  |       |    | CKS |    |  |

### • CKS: Receive Clock Selection

| CKS | Selected Receive Clock |
|-----|------------------------|
| 0x0 | Divided Clock          |
| 0x1 | TK Clock signal        |
| 0x2 | RK pin                 |
| 0x3 | Reserved               |

### • CKO: Receive Clock Output Mode Selection

| CKO     | Receive Clock Output Mode                | RK pin     |
|---------|--|------------|
| 0x0     | None                                     | Input-only |
| 0x1     | Continuous Receive Clock                 | Output     |
| 0x2     | Receive Clock only during data transfers | Output     |
| 0x3-0x7 | Reserved                                 |            |

### • CKI: Receive Clock Inversion

0: The data inputs (Data and Frame Sync signals) are sampled on Receive Clock falling edge. The Frame Sync signal output is shifted out on Receive Clock rising edge.

1: The data inputs (Data and Frame Sync signals) are sampled on Receive Clock rising edge. The Frame Sync signal output is shifted out on Receive Clock falling edge.

CKI affects only the Receive Clock and not the output clock signal.

- **CKG: Receive Clock Gating Selection**

| CKG | Receive Clock Gating                  |
|-----|---------------------------------------|
| 0x0 | None, continuous clock                |
| 0x1 | Receive Clock enabled only if RF Low  |
| 0x2 | Receive Clock enabled only if RF High |
| 0x3 | Reserved                              |

- **START: Receive Start Selection**

| START   | Receive Start   |
|---------|---|
| 0x0     | Continuous, as soon as the receiver is enabled, and immediately after the end of transfer of the previous data. |
| 0x1     | Transmit start  |
| 0x2     | Detection of a low level on RF signal   |
| 0x3     | Detection of a high level on RF signal  |
| 0x4     | Detection of a falling edge on RF signal  |
| 0x5     | Detection of a rising edge on RF signal   |
| 0x6     | Detection of any level change on RF signal  |
| 0x7     | Detection of any edge on RF signal  |
| 0x8     | Compare 0   |
| 0x9-0xF | Reserved  |

- **STOP: Receive Stop Selection**

0: After completion of a data transfer when starting with a Compare 0, the receiver stops the data transfer and waits for a new compare 0.

1: After starting a receive with a Compare 0, the receiver operates in a continuous mode until a Compare 1 is detected.

- **STTDLY: Receive Start Delay**

If STTDLY is not 0, a delay of STTDLY clock cycles is inserted between the start event and the actual start of reception. When the Receiver is programmed to start synchronously with the Transmitter, the delay is also applied.

Note: It is very important that STTDLY be set carefully. If STTDLY must be set, it should be done in relation to TAG (Receive Sync Data) reception.

- **PERIOD: Receive Period Divider Selection**

This field selects the divider to apply to the selected Receive Clock in order to generate a new Frame Sync Signal. If 0, no PERIOD signal is generated. If not 0, a PERIOD signal is generated each 2 x (PERIOD+1) Receive Clock.



## 32.8.4 SSC Receive Frame Mode Register

**Name:** SSC\_RFMR

**Access Type:** Read/Write

|      |      |      |        |       |    |    |        |  |
|------|------|------|--------|-------|----|----|--------|--|
| 31   | 30   | 29   | 28     | 27    | 26 | 25 | 24     |  |
| –    | –    | –    | –      | –     | –  | –  | FSEDGE |  |
| 23   | 22   | 21   | 20     | 19    | 18 | 17 | 16     |  |
| –    | FSOS |      |        | FSLEN |    |    |        |  |
| 15   | 14   | 13   | 12     | 11    | 10 | 9  | 8      |  |
| –    | –    | –    | –      | DATNB |    |    |        |  |
| 7    | 6    | 5    | 4      | 3     | 2  | 1  | 0      |  |
| MSBF | –    | LOOP | DATLEN |       |    |    |        |  |

- **DATLEN: Data Length**

0: Forbidden value (1-bit data length not supported).

Any other value: The bit stream contains DATLEN + 1 data bits. Moreover, it defines the transfer size performed by the PDC2 assigned to the Receiver. If DATLEN is lower or equal to 7, data transfers are in bytes. If DATLEN is between 8 and 15 (included), half-words are transferred, and for any other value, 32-bit words are transferred.

- **LOOP: Loop Mode**

0: Normal operating mode.

1: RD is driven by TD, RF is driven by TF and TK drives RK.

- **MSBF: Most Significant Bit First**

0: The lowest significant bit of the data register is sampled first in the bit stream.

1: The most significant bit of the data register is sampled first in the bit stream.

- **DATNB: Data Number per Frame**

This field defines the number of data words to be received after each transfer start, which is equal to (DATNB + 1).

- **FSLEN: Receive Frame Sync Length**

This field defines the length of the Receive Frame Sync Signal and the number of bits sampled and stored in the Receive Sync Data Register. When this mode is selected by the START field in the Receive Clock Mode Register, it also determines the length of the sampled data to be compared to the Compare 0 or Compare 1 register.

Pulse length is equal to (FSLEN + 1) Receive Clock periods. Thus, if FSLEN is 0, the Receive Frame Sync signal is generated during one Receive Clock period.

- **FSOS: Receive Frame Sync Output Selection**

| FSOS    | Selected Receive Frame Sync Signal      | RF Pin     |
|---------|---|------------|
| 0x0     | None                                    | Input-only |
| 0x1     | Negative Pulse                          | Output     |
| 0x2     | Positive Pulse                          | Output     |
| 0x3     | Driven Low during data transfer         | Output     |
| 0x4     | Driven High during data transfer        | Output     |
| 0x5     | Toggling at each start of data transfer | Output     |
| 0x6-0x7 | Reserved                                | Undefined  |

- **FSEDGE: Frame Sync Edge Detection**

Determines which edge on Frame Sync will generate the interrupt RXSYN in the SSC Status Register.

| FSEDGE | Frame Sync Edge Detection |
|--------|---------------------------|
| 0x0    | Positive Edge Detection   |
| 0x1    | Negative Edge Detection   |

## 32.8.5 SSC Transmit Clock Mode Register

Name: SSC\_TCMR

Access Type: Read/Write

|        |    |     |     |       |    |     |    |
|--------|----|-----|-----|-------|----|-----|----|
| 31     | 30 | 29  | 28  | 27    | 26 | 25  | 24 |
| PERIOD |    |     |     |       |    |     |    |
| 23     | 22 | 21  | 20  | 19    | 18 | 17  | 16 |
| STTDLY |    |     |     |       |    |     |    |
| 15     | 14 | 13  | 12  | 11    | 10 | 9   | 8  |
| -      | -  | -   | -   | START |    |     |    |
| 7      | 6  | 5   | 4   | 3     | 2  | 1   | 0  |
| CKG    |    | CKI | CKO |       |    | CKS |    |

### • CKS: Transmit Clock Selection

| CKS | Selected Transmit Clock |
|-----|-------------------------|
| 0x0 | Divided Clock           |
| 0x1 | RK Clock signal         |
| 0x2 | TK Pin                  |
| 0x3 | Reserved                |

### • CKO: Transmit Clock Output Mode Selection

| CKO     | Transmit Clock Output Mode                | TK pin     |
|---------|---|------------|
| 0x0     | None                                      | Input-only |
| 0x1     | Continuous Transmit Clock                 | Output     |
| 0x2     | Transmit Clock only during data transfers | Output     |
| 0x3-0x7 | Reserved                                  |            |

### • CKI: Transmit Clock Inversion

0: The data outputs (Data and Frame Sync signals) are shifted out on Transmit Clock falling edge. The Frame sync signal input is sampled on Transmit clock rising edge.

1: The data outputs (Data and Frame Sync signals) are shifted out on Transmit Clock rising edge. The Frame sync signal input is sampled on Transmit clock falling edge.

CKI affects only the Transmit Clock and not the output clock signal.

### • CKG: Transmit Clock Gating Selection

| CKG | Transmit Clock Gating                  |
|-----|--|
| 0x0 | None, continuous clock                 |
| 0x1 | Transmit Clock enabled only if TF Low  |
| 0x2 | Transmit Clock enabled only if TF High |
| 0x3 | Reserved                               |

- **START: Transmit Start Selection**

| START     | Transmit Start   |
|-----------|--|
| 0x0       | Continuous, as soon as a word is written in the SSC_THR Register (if Transmit is enabled), and immediately after the end of transfer of the previous data. |
| 0x1       | Receive start  |
| 0x2       | Detection of a low level on TF signal  |
| 0x3       | Detection of a high level on TF signal   |
| 0x4       | Detection of a falling edge on TF signal   |
| 0x5       | Detection of a rising edge on TF signal  |
| 0x6       | Detection of any level change on TF signal   |
| 0x7       | Detection of any edge on TF signal   |
| 0x8 - 0xF | Reserved   |

- **STTDLY: Transmit Start Delay**

If STTDLY is not 0, a delay of STTDLY clock cycles is inserted between the start event and the actual start of transmission of data. When the Transmitter is programmed to start synchronously with the Receiver, the delay is also applied.

Note: STTDLY must be set carefully. If STTDLY is too short in respect to TAG (Transmit Sync Data) emission, data is emitted instead of the end of TAG.

- **PERIOD: Transmit Period Divider Selection**

This field selects the divider to apply to the selected Transmit Clock to generate a new Frame Sync Signal. If 0, no period signal is generated. If not 0, a period signal is generated at each  $2 \times (\text{PERIOD} + 1)$  Transmit Clock.

## 32.8.6 SSC Transmit Frame Mode Register

**Name:** SSC\_TFMR

**Access Type:** Read/Write

|       |      |        |        |       |    |    |        |
|-------|------|--------|--------|-------|----|----|--------|
| 31    | 30   | 29     | 28     | 27    | 26 | 25 | 24     |
| –     | –    | –      | –      | –     | –  | –  | FSEDGE |
| 23    | 22   | 21     | 20     | 19    | 18 | 17 | 16     |
| FSDEN | FSOS |        |        | FSLEN |    |    |        |
| 15    | 14   | 13     | 12     | 11    | 10 | 9  | 8      |
| –     | –    | –      | –      | DATNB |    |    |        |
| 7     | 6    | 5      | 4      | 3     | 2  | 1  | 0      |
| MSBF  | –    | DATDEF | DATLEN |       |    |    |        |

- **DATLEN: Data Length**

0: Forbidden value (1-bit data length not supported).

Any other value: The bit stream contains DATLEN + 1 data bits. Moreover, it defines the transfer size performed by the PDC2 assigned to the Transmit. If DATLEN is lower or equal to 7, data transfers are bytes, if DATLEN is between 8 and 15 (included), half-words are transferred, and for any other value, 32-bit words are transferred.

- **DATDEF: Data Default Value**

This bit defines the level driven on the TD pin while out of transmission. Note that if the pin is defined as multi-drive by the PIO Controller, the pin is enabled only if the SCC TD output is 1.

- **MSBF: Most Significant Bit First**

0: The lowest significant bit of the data register is shifted out first in the bit stream.

1: The most significant bit of the data register is shifted out first in the bit stream.

- **DATNB: Data Number per frame**

This field defines the number of data words to be transferred after each transfer start, which is equal to (DATNB + 1).

- **FSLEN: Transmit Frame Sync Length**

This field defines the length of the Transmit Frame Sync signal and the number of bits shifted out from the Transmit Sync Data Register if FSDEN is 1.

Pulse length is equal to (FSLEN + 1) Transmit Clock periods, i.e., the pulse length can range from 1 to 16 Transmit Clock periods. If FSLEN is 0, the Transmit Frame Sync signal is generated during one Transmit Clock period.

- **FSOS: Transmit Frame Sync Output Selection**

| FSOS    | Selected Transmit Frame Sync Signal     | TF Pin     |
|---------|---|------------|
| 0x0     | None                                    | Input-only |
| 0x1     | Negative Pulse                          | Output     |
| 0x2     | Positive Pulse                          | Output     |
| 0x3     | Driven Low during data transfer         | Output     |
| 0x4     | Driven High during data transfer        | Output     |
| 0x5     | Toggling at each start of data transfer | Output     |
| 0x6-0x7 | Reserved                                | Undefined  |

- **FSDEN: Frame Sync Data Enable**

0: The TD line is driven with the default value during the Transmit Frame Sync signal.

1: SSC\_TSHR value is shifted out during the transmission of the Transmit Frame Sync signal.

- **FSEEDGE: Frame Sync Edge Detection**

Determines which edge on frame sync will generate the interrupt TXSYN (Status Register).

| FSEEDGE | Frame Sync Edge Detection |
|---------|---------------------------|
| 0x0     | Positive Edge Detection   |
| 0x1     | Negative Edge Detection   |

## 32.8.7 SSC Receive Holding Register

**Name:** SSC\_RHR

**Access Type:** Read-only

|      |    |    |    |    |    |    |    |
|------|----|----|----|----|----|----|----|
| 31   | 30 | 29 | 28 | 27 | 26 | 25 | 24 |
| RDAT |    |    |    |    |    |    |    |
| 23   | 22 | 21 | 20 | 19 | 18 | 17 | 16 |
| RDAT |    |    |    |    |    |    |    |
| 15   | 14 | 13 | 12 | 11 | 10 | 9  | 8  |
| RDAT |    |    |    |    |    |    |    |
| 7    | 6  | 5  | 4  | 3  | 2  | 1  | 0  |
| RDAT |    |    |    |    |    |    |    |

- **RDAT: Receive Data**

Right aligned regardless of the number of data bits defined by DATLEN in SSC\_RFMR.

## 32.8.8 SSC Transmit Holding Register

**Name:** SSC\_THR

**Access Type:** Write-only

|      |    |    |    |    |    |    |    |
|------|----|----|----|----|----|----|----|
| 31   | 30 | 29 | 28 | 27 | 26 | 25 | 24 |
| TDAT |    |    |    |    |    |    |    |
| 23   | 22 | 21 | 20 | 19 | 18 | 17 | 16 |
| TDAT |    |    |    |    |    |    |    |
| 15   | 14 | 13 | 12 | 11 | 10 | 9  | 8  |
| TDAT |    |    |    |    |    |    |    |
| 7    | 6  | 5  | 4  | 3  | 2  | 1  | 0  |
| TDAT |    |    |    |    |    |    |    |

- **TDAT: Transmit Data**

Right aligned regardless of the number of data bits defined by DATLEN in SSC\_TFMR.

## 32.8.9 SSC Receive Synchronization Holding Register

Name: SSC\_RSHR

Access Type: Read-only

|       |    |    |    |    |    |    |    |
|-------|----|----|----|----|----|----|----|
| 31    | 30 | 29 | 28 | 27 | 26 | 25 | 24 |
| –     | –  | –  | –  | –  | –  | –  | –  |
| 23    | 22 | 21 | 20 | 19 | 18 | 17 | 16 |
| –     | –  | –  | –  | –  | –  | –  | –  |
| 15    | 14 | 13 | 12 | 11 | 10 | 9  | 8  |
| RSDAT |    |    |    |    |    |    |    |
| 7     | 6  | 5  | 4  | 3  | 2  | 1  | 0  |
| RSDAT |    |    |    |    |    |    |    |

- RSDAT: Receive Synchronization Data

## 32.8.10 SSC Transmit Synchronization Holding Register

Name: SSC\_TSHR

Access Type: Read/Write

|       |    |    |    |    |    |    |    |
|-------|----|----|----|----|----|----|----|
| 31    | 30 | 29 | 28 | 27 | 26 | 25 | 24 |
| –     | –  | –  | –  | –  | –  | –  | –  |
| 23    | 22 | 21 | 20 | 19 | 18 | 17 | 16 |
| –     | –  | –  | –  | –  | –  | –  | –  |
| 15    | 14 | 13 | 12 | 11 | 10 | 9  | 8  |
| TSDAT |    |    |    |    |    |    |    |
| 7     | 6  | 5  | 4  | 3  | 2  | 1  | 0  |
| TSDAT |    |    |    |    |    |    |    |

- TSDAT: Transmit Synchronization Data



## 32.8.11 SSC Receive Compare 0 Register

**Name:** SSC\_RC0R

**Access Type:** Read/Write

|     |    |    |    |    |    |    |    |
|-----|----|----|----|----|----|----|----|
| 31  | 30 | 29 | 28 | 27 | 26 | 25 | 24 |
| -   | -  | -  | -  | -  | -  | -  | -  |
| 23  | 22 | 21 | 20 | 19 | 18 | 17 | 16 |
| -   | -  | -  | -  | -  | -  | -  | -  |
| 15  | 14 | 13 | 12 | 11 | 10 | 9  | 8  |
| CP0 |    |    |    |    |    |    |    |
| 7   | 6  | 5  | 4  | 3  | 2  | 1  | 0  |
| CP0 |    |    |    |    |    |    |    |

- CP0: Receive Compare Data 0

## 32.8.12 SSC Receive Compare 1 Register

**Name:** SSC\_RC1R

**Access Type:** Read/Write

|     |    |    |    |    |    |    |    |
|-----|----|----|----|----|----|----|----|
| 31  | 30 | 29 | 28 | 27 | 26 | 25 | 24 |
| -   | -  | -  | -  | -  | -  | -  | -  |
| 23  | 22 | 21 | 20 | 19 | 18 | 17 | 16 |
| -   | -  | -  | -  | -  | -  | -  | -  |
| 15  | 14 | 13 | 12 | 11 | 10 | 9  | 8  |
| CP1 |    |    |    |    |    |    |    |
| 7   | 6  | 5  | 4  | 3  | 2  | 1  | 0  |
| CP1 |    |    |    |    |    |    |    |

- CP1: Receive Compare Data 1

## 32.8.13 SSC Status Register

**Name:** SSC\_SR

**Access Type:** Read-only

|        |       |       |       |        |       |         |       |
|--------|-------|-------|-------|--------|-------|---------|-------|
| 31     | 30    | 29    | 28    | 27     | 26    | 25      | 24    |
| –      | –     | –     | –     | –      | –     | –       | –     |
| 23     | 22    | 21    | 20    | 19     | 18    | 17      | 16    |
| –      | –     | –     | –     | –      | –     | RXEN    | TXEN  |
| 15     | 14    | 13    | 12    | 11     | 10    | 9       | 8     |
| –      | –     | –     | –     | RXSYN  | TXSYN | CP1     | CP0   |
| 7      | 6     | 5     | 4     | 3      | 2     | 1       | 0     |
| RXBUFF | ENDRX | OVRUN | RXRDY | TXBUFE | ENDTX | TXEMPTY | TXRDY |

- **TXRDY: Transmit Ready**

0: Data has been loaded in SSC\_THR and is waiting to be loaded in the Transmit Shift Register (TSR).

1: SSC\_THR is empty.

- **TXEMPTY: Transmit Empty**

0: Data remains in SSC\_THR or is currently transmitted from TSR.

1: Last data written in SSC\_THR has been loaded in TSR and last data loaded in TSR has been transmitted.

- **ENDTX: End of Transmission**

0: The register SSC\_TCR has not reached 0 since the last write in SSC\_TCR or SSC\_TNCR.

1: The register SSC\_TCR has reached 0 since the last write in SSC\_TCR or SSC\_TNCR.

- **TXBUFE: Transmit Buffer Empty**

0: SSC\_TCR or SSC\_TNCR have a value other than 0.

1: Both SSC\_TCR and SSC\_TNCR have a value of 0.

- **RXRDY: Receive Ready**

0: SSC\_RHR is empty.

1: Data has been received and loaded in SSC\_RHR.

- **OVRUN: Receive Overrun**

0: No data has been loaded in SSC\_RHR while previous data has not been read since the last read of the Status Register.

1: Data has been loaded in SSC\_RHR while previous data has not yet been read since the last read of the Status Register.

- **ENDRX: End of Reception**

0: Data is written on the Receive Counter Register or Receive Next Counter Register.

1: End of PDC transfer when Receive Counter Register has arrived at zero.

- **RXBUFF: Receive Buffer Full**

0: SSC\_RCR or SSC\_RNCR have a value other than 0.

1: Both SSC\_RCR and SSC\_RNCR have a value of 0.

- **CP0: Compare 0**

0: A compare 0 has not occurred since the last read of the Status Register.

1: A compare 0 has occurred since the last read of the Status Register.

- **CP1: Compare 1**

0: A compare 1 has not occurred since the last read of the Status Register.

1: A compare 1 has occurred since the last read of the Status Register.

- **TXSYN: Transmit Sync**

0: A Tx Sync has not occurred since the last read of the Status Register.

1: A Tx Sync has occurred since the last read of the Status Register.

- **RXSYN: Receive Sync**

0: An Rx Sync has not occurred since the last read of the Status Register.

1: An Rx Sync has occurred since the last read of the Status Register.

- **TXEN: Transmit Enable**

0: Transmit is disabled.

1: Transmit is enabled.

- **RXEN: Receive Enable**

0: Receive is disabled.

1: Receive is enabled.

## 32.8.14 SSC Interrupt Enable Register

**Name:** SSC\_IER

**Access Type:** Write-only

|        |       |       |       |        |       |         |       |
|--------|-------|-------|-------|--------|-------|---------|-------|
| 31     | 30    | 29    | 28    | 27     | 26    | 25      | 24    |
| –      | –     | –     | –     | –      | –     | –       | –     |
| 23     | 22    | 21    | 20    | 19     | 18    | 17      | 16    |
| –      | –     | –     | –     | –      | –     | –       | –     |
| 15     | 14    | 13    | 12    | 11     | 10    | 9       | 8     |
| –      | –     | –     | –     | RXSYN  | TXSYN | CP1     | CP0   |
| 7      | 6     | 5     | 4     | 3      | 2     | 1       | 0     |
| RXBUFF | ENDRX | OVRUN | RXRDY | TXBUFE | ENDTX | TXEMPTY | TXRDY |

- **TXRDY: Transmit Ready Interrupt Enable**

0: No effect.

1: Enables the Transmit Ready Interrupt.

- **TXEMPTY: Transmit Empty Interrupt Enable**

0: No effect.

1: Enables the Transmit Empty Interrupt.

- **ENDTX: End of Transmission Interrupt Enable**

0: No effect.

1: Enables the End of Transmission Interrupt.

- **TXBUFE: Transmit Buffer Empty Interrupt Enable**

0: No effect.

1: Enables the Transmit Buffer Empty Interrupt

- **RXRDY: Receive Ready Interrupt Enable**

0: No effect.

1: Enables the Receive Ready Interrupt.

- **OVRUN: Receive Overrun Interrupt Enable**

0: No effect.

1: Enables the Receive Overrun Interrupt.

- **ENDRX: End of Reception Interrupt Enable**

0: No effect.

1: Enables the End of Reception Interrupt.

- **RXBUFF: Receive Buffer Full Interrupt Enable**

0: No effect.

1: Enables the Receive Buffer Full Interrupt.

- **CP0: Compare 0 Interrupt Enable**

0: No effect.

1: Enables the Compare 0 Interrupt.

- **CP1: Compare 1 Interrupt Enable**

0: No effect.

1: Enables the Compare 1 Interrupt.

- **TXSYN: Tx Sync Interrupt Enable**

0: No effect.

1: Enables the Tx Sync Interrupt.

- **RXSYN: Rx Sync Interrupt Enable**

0: No effect.

1: Enables the Rx Sync Interrupt.

## 32.8.15 SSC Interrupt Disable Register

**Name:** SSC\_IDR

**Access Type:** Write-only

|        |       |       |       |        |       |         |       |
|--------|-------|-------|-------|--------|-------|---------|-------|
| 31     | 30    | 29    | 28    | 27     | 26    | 25      | 24    |
| –      | –     | –     | –     | –      | –     | –       | –     |
| 23     | 22    | 21    | 20    | 19     | 18    | 17      | 16    |
| –      | –     | –     | –     | –      | –     | –       | –     |
| 15     | 14    | 13    | 12    | 11     | 10    | 9       | 8     |
| –      | –     | –     | –     | RXSYN  | TXSYN | CP1     | CP0   |
| 7      | 6     | 5     | 4     | 3      | 2     | 1       | 0     |
| RXBUFF | ENDRX | OVRUN | RXRDY | TXBUFE | ENDTX | TXEMPTY | TXRDY |

- **TXRDY: Transmit Ready Interrupt Disable**

0: No effect.

1: Disables the Transmit Ready Interrupt.

- **TXEMPTY: Transmit Empty Interrupt Disable**

0: No effect.

1: Disables the Transmit Empty Interrupt.

- **ENDTX: End of Transmission Interrupt Disable**

0: No effect.

1: Disables the End of Transmission Interrupt.

- **TXBUFE: Transmit Buffer Empty Interrupt Disable**

0: No effect.

1: Disables the Transmit Buffer Empty Interrupt.

- **RXRDY: Receive Ready Interrupt Disable**

0: No effect.

1: Disables the Receive Ready Interrupt.

- **OVRUN: Receive Overrun Interrupt Disable**

0: No effect.

1: Disables the Receive Overrun Interrupt.

- **ENDRX: End of Reception Interrupt Disable**

0: No effect.

1: Disables the End of Reception Interrupt.

- **RXBUFF: Receive Buffer Full Interrupt Disable**

0: No effect.

1: Disables the Receive Buffer Full Interrupt.

- **CP0: Compare 0 Interrupt Disable**

0: No effect.

1: Disables the Compare 0 Interrupt.

- **CP1: Compare 1 Interrupt Disable**

0: No effect.

1: Disables the Compare 1 Interrupt.

- **TXSYN: Tx Sync Interrupt Enable**

0: No effect.

1: Disables the Tx Sync Interrupt.

- **RXSYN: Rx Sync Interrupt Enable**

0: No effect.

1: Disables the Rx Sync Interrupt.



## 32.8.16 SSC Interrupt Mask Register

**Name:** SSC\_IMR

**Access Type:** Read-only

|       |       |       |       |        |       |         |       |
|-------|-------|-------|-------|--------|-------|---------|-------|
| 31    | 30    | 29    | 28    | 27     | 26    | 25      | 24    |
| –     | –     | –     | –     | –      | –     | –       | –     |
| 23    | 22    | 21    | 20    | 19     | 18    | 17      | 16    |
| –     | –     | –     | –     | –      | –     | –       | –     |
| 15    | 14    | 13    | 12    | 11     | 10    | 9       | 8     |
| –     | –     | –     | –     | RXSYN  | TXSYN | CP1     | CP0   |
| 7     | 6     | 5     | 4     | 3      | 2     | 1       | 0     |
| RXBUF | ENDRX | OVRUN | RXRDY | TXBUFE | ENDTX | TXEMPTY | TXRDY |

- **TXRDY: Transmit Ready Interrupt Mask**

0: The Transmit Ready Interrupt is disabled.

1: The Transmit Ready Interrupt is enabled.

- **TXEMPTY: Transmit Empty Interrupt Mask**

0: The Transmit Empty Interrupt is disabled.

1: The Transmit Empty Interrupt is enabled.

- **ENDTX: End of Transmission Interrupt Mask**

0: The End of Transmission Interrupt is disabled.

1: The End of Transmission Interrupt is enabled.

- **TXBUFE: Transmit Buffer Empty Interrupt Mask**

0: The Transmit Buffer Empty Interrupt is disabled.

1: The Transmit Buffer Empty Interrupt is enabled.

- **RXRDY: Receive Ready Interrupt Mask**

0: The Receive Ready Interrupt is disabled.

1: The Receive Ready Interrupt is enabled.

- **OVRUN: Receive Overrun Interrupt Mask**

0: The Receive Overrun Interrupt is disabled.

1: The Receive Overrun Interrupt is enabled.

- **ENDRX: End of Reception Interrupt Mask**

0: The End of Reception Interrupt is disabled.

1: The End of Reception Interrupt is enabled.

- **RXBUFF: Receive Buffer Full Interrupt Mask**

0: The Receive Buffer Full Interrupt is disabled.

1: The Receive Buffer Full Interrupt is enabled.

- **CP0: Compare 0 Interrupt Mask**

0: The Compare 0 Interrupt is disabled.

1: The Compare 0 Interrupt is enabled.

- **CP1: Compare 1 Interrupt Mask**

0: The Compare 1 Interrupt is disabled.

1: The Compare 1 Interrupt is enabled.

- **TXSYN: Tx Sync Interrupt Mask**

0: The Tx Sync Interrupt is disabled.

1: The Tx Sync Interrupt is enabled.

- **RXSYN: Rx Sync Interrupt Mask**

0: The Rx Sync Interrupt is disabled.

1: The Rx Sync Interrupt is enabled.

## 33. Timer/Counter (TC)

### 33.1 Overview

The Timer/Counter (TC) includes three identical 16-bit Timer/Counter channels. Each channel can be independently programmed to perform a wide range of functions including frequency measurement, event counting, interval measurement, pulse generation, delay timing and pulse width modulation.

Each channel has three external clock inputs, five internal clock inputs and two multi-purpose input/output signals which can be configured by the user. Each channel drives an internal interrupt signal which can be programmed to generate processor interrupts.

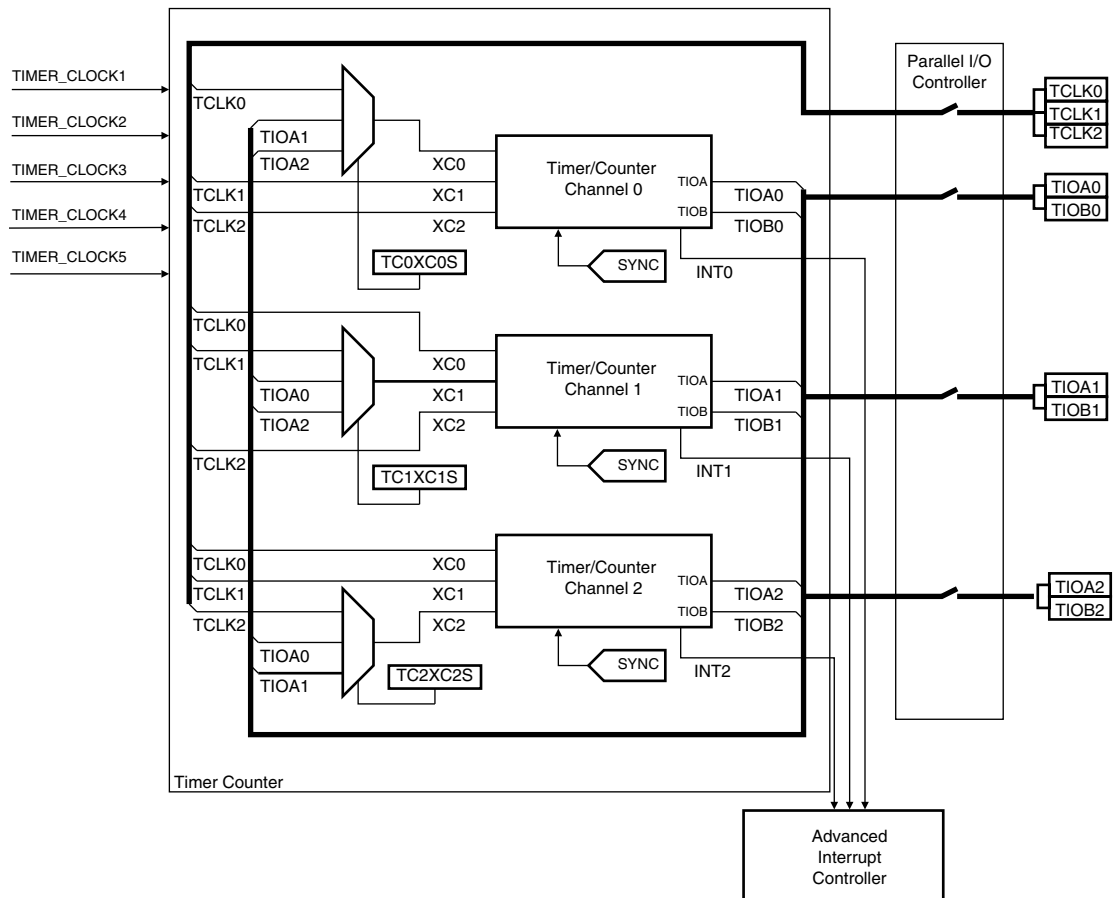
The Timer/Counter block has two global registers which act upon all three TC channels.

The Block Control Register allows the three channels to be started simultaneously with the same instruction.

The Block Mode Register defines the external clock inputs for each channel, allowing them to be chained.

### 33.2 Block Diagram

Figure 33-1. Timer/Counter Block Diagram



**Table 33-1.** Signal Name Description

| Block/Channel  | Signal Name   | Description  |
|----------------|---------------|--|
| Channel Signal | XC0, XC1, XC2 | External Clock Inputs  |
|                | TIOA          | Capture Mode: Timer/Counter Input<br>Waveform Mode: Timer/Counter Output       |
|                | TIOB          | Capture Mode: Timer/Counter Input<br>Waveform Mode: Timer/Counter Input/output |
|                | INT           | Interrupt Signal Output  |
|                | SYNC          | Synchronization Input Signal   |

### 33.3 Pin Name List

**Table 33-2.** TC pin list

| Pin Name    | Description          | Type  |
|-------------|----------------------|-------|
| TCLK0-TCLK2 | External Clock Input | Input |
| TIOA0-TIOA2 | I/O Line A           | I/O   |
| TIOB0-TIOB2 | I/O Line B           | I/O   |

### 33.4 Product Dependencies

#### 33.4.1 I/O Lines

The pins used for interfacing the compliant external devices may be multiplexed with PIO lines. The programmer must first program the PIO controllers to assign the TC pins to their peripheral functions.

#### 33.4.2 Power Management

The TC is clocked through the Power Management Controller (PMC), thus the programmer must first configure the PMC to enable the Timer/Counter clock.

#### 33.4.3 Interrupt

The TC has an interrupt line connected to the Advanced Interrupt Controller (AIC). Handling the TC interrupt requires programming the AIC before configuring the TC.

## 33.5 Functional Description

### 33.5.1 TC Description

The three channels of the Timer/Counter are independent and identical in operation. The registers for channel programming are listed in [Table 33-4 on page 402](#).

#### 33.5.1.1 16-bit Counter

Each channel is organized around a 16-bit counter. The value of the counter is incremented at each positive edge of the selected clock. When the counter has reached the value 0xFFFF and passes to 0x0000, an overflow occurs and the COVFS bit in TC\_SR (Status Register) is set.

The current value of the counter is accessible in real time by reading the Counter Value Register, TC\_CV. The counter can be reset by a trigger. In this case, the counter value passes to 0x0000 on the next valid edge of the selected clock.

#### 33.5.1.2 Clock Selection

At block level, input clock signals of each channel can either be connected to the external inputs TCLK0, TCLK1 or TCLK2, or be connected to the configurable I/O signals TIOA0, TIOA1 or TIOA2 for chaining by programming the TC\_BMR (Block Mode). See [Figure 33-2](#).

Each channel can independently select an internal or external clock source for its counter:

- Internal clock signals: TIMER\_CLOCK1, TIMER\_CLOCK2, TIMER\_CLOCK3, TIMER\_CLOCK4, TIMER\_CLOCK5
- External clock signals: XC0, XC1 or XC2

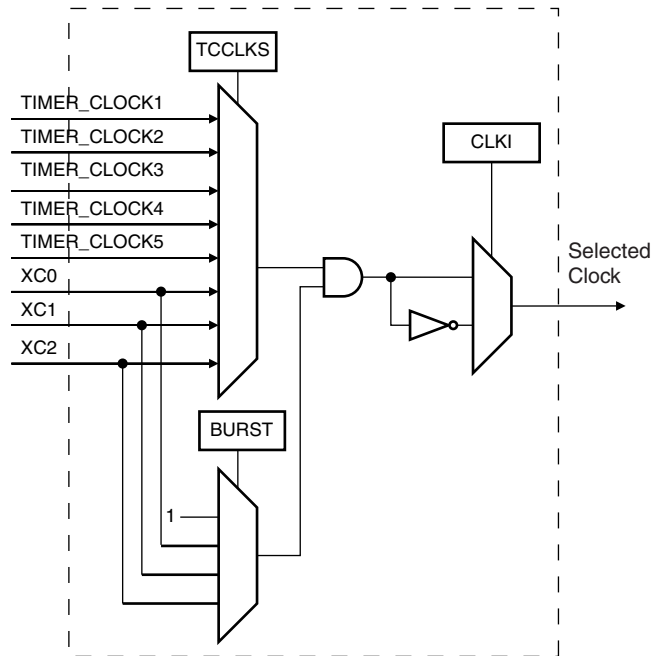
This selection is made by the TCCLKS bits in the TC Channel Mode Register.

The selected clock can be inverted with the CLKI bit in TC\_CMR. This allows counting on the opposite edges of the clock.

The burst function allows the clock to be validated when an external signal is high. The BURST parameter in the Mode Register defines this signal (none, XC0, XC1, XC2).

**Note:** In all cases, if an external clock is used, the duration of each of its levels must be longer than the master clock period. The external clock frequency must be at least 2.5 times lower than the master clock

**Figure 33-2.** Clock Selection

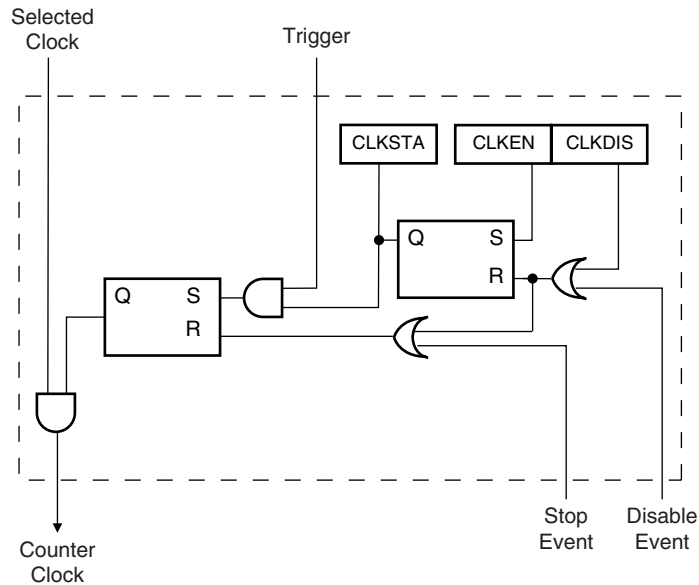


### 33.5.1.3 Clock Control

The clock of each counter can be controlled in two different ways: it can be enabled/disabled and started/stopped. See [Figure 33-3](#).

- The clock can be enabled or disabled by the user with the CLKEN and the CLKDIS commands in the Control Register. In Capture Mode it can be disabled by an RB load event if LDBDIS is set to 1 in TC\_CMR. In Waveform Mode, it can be disabled by an RC Compare event if CPCDIS is set to 1 in TC\_CMR. When disabled, the start or the stop actions have no effect: only a CLKEN command in the Control Register can re-enable the clock. When the clock is enabled, the CLKSTA bit is set in the Status Register.
- The clock can also be started or stopped: a trigger (software, synchro, external or compare) always starts the clock. The clock can be stopped by an RB load event in Capture Mode (LDBSTOP = 1 in TC\_CMR) or a RC compare event in Waveform Mode (CPCSTOP = 1 in TC\_CMR). The start and the stop commands have effect only if the clock is enabled.

**Figure 33-3.** Clock Control



### 33.5.1.4 TC Operating Modes

Each channel can independently operate in two different modes:

- Capture Mode provides measurement on signals.
- Waveform Mode provides wave generation.

The TC Operating Mode is programmed with the WAVE bit in the TC Channel Mode Register.

In Capture Mode, TIOA and TIOB are configured as inputs.

In Waveform Mode, TIOA is always configured to be an output and TIOB is an output if it is not selected to be the external trigger.

### 33.5.1.5 Trigger

A trigger resets the counter and starts the counter clock. Three types of triggers are common to both modes, and a fourth external trigger is available to each mode.

The following triggers are common to both modes:

- Software Trigger: Each channel has a software trigger, available by setting SWTRG in TC\_CCR.
- SYNC: Each channel has a synchronization signal SYNC. When asserted, this signal has the same effect as a software trigger. The SYNC signals of all channels are asserted simultaneously by writing TC\_BCR (Block Control) with SYNC set.
- Compare RC Trigger: RC is implemented in each channel and can provide a trigger when the counter value matches the RC value if CPCTRIG is set in TC\_CMR.

The channel can also be configured to have an external trigger. In Capture Mode, the external trigger signal can be selected between TIOA and TIOB. In Waveform Mode, an external event can be programmed on one of the following signals: TIOB, XC0, XC1 or XC2. This external event can then be programmed to perform a trigger by setting ENETRIG in TC\_CMR.

If an external trigger is used, the duration of the pulses must be longer than the master clock period in order to be detected.

Regardless of the trigger used, it will be taken into account at the following active edge of the selected clock. This means that the counter value can be read differently from zero just after a trigger, especially when a low frequency signal is selected as the clock.

### 33.5.2 Capture Operating Mode

This mode is entered by clearing the WAVE parameter in TC\_CMR (Channel Mode Register).

Capture Mode allows the TC channel to perform measurements such as pulse timing, frequency, period, duty cycle and phase on TIOA and TIOB signals which are considered as inputs.

Figure 33-4 shows the configuration of the TC channel when programmed in Capture Mode.

#### 33.5.2.1 Capture Registers A and B

Registers A and B (RA and RB) are used as capture registers. This means that they can be loaded with the counter value when a programmable event occurs on the signal TIOA.

The LDRA parameter in TC\_CMR defines the TIOA edge for the loading of register A, and the LDRB parameter defines the TIOA edge for the loading of Register B.

RA is loaded only if it has not been loaded since the last trigger or if RB has been loaded since the last loading of RA.

RB is loaded only if RA has been loaded since the last trigger or the last loading of RB.

Loading RA or RB before the read of the last value loaded sets the Overrun Error Flag (LOVRS) in TC\_SR (Status Register). In this case, the old value is overwritten.

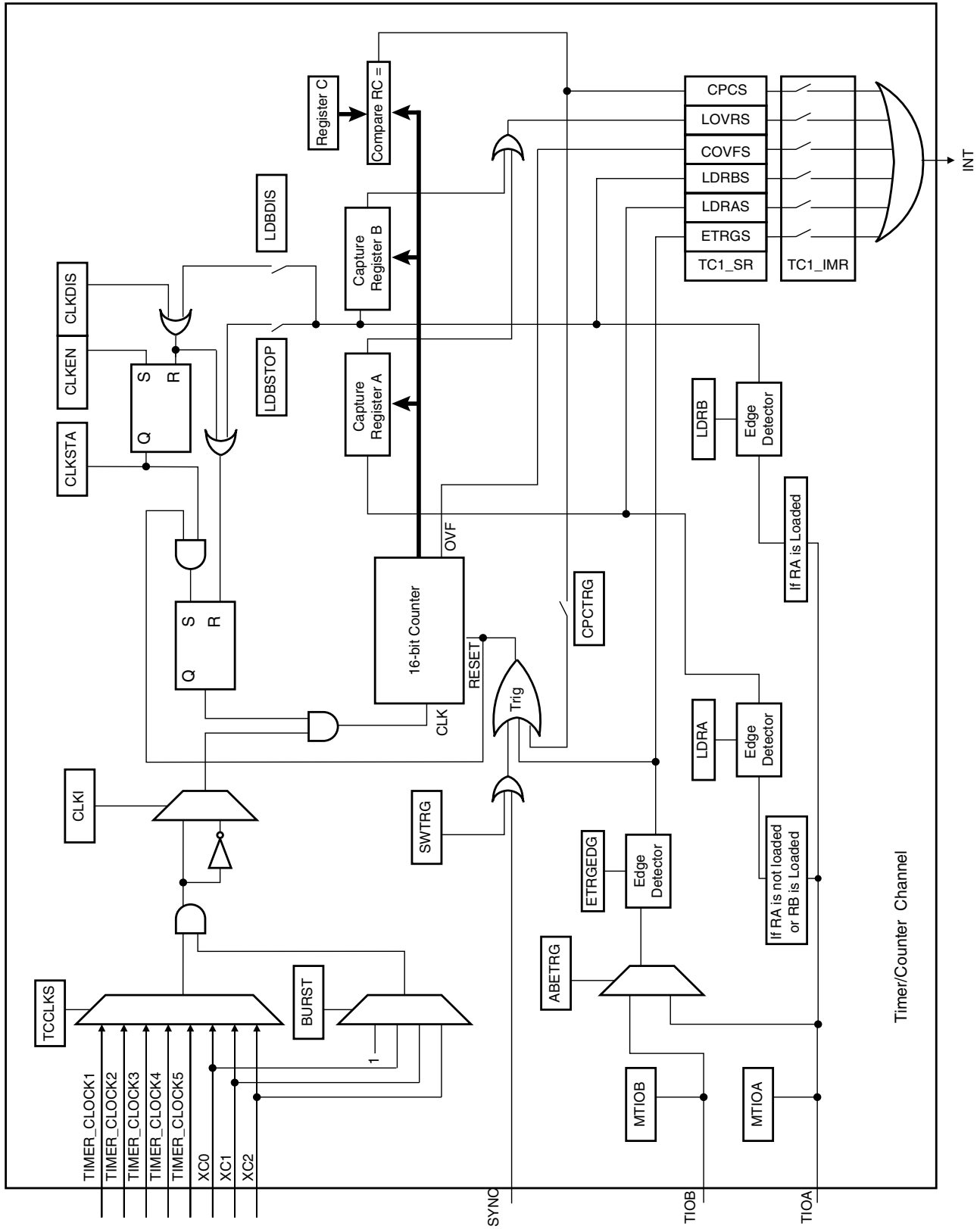
#### 33.5.2.2 Trigger Conditions

In addition to the SYNC signal, the software trigger and the RC compare trigger, an external trigger can be defined.

The ABETRG bit in TC\_CMR selects TIOA or TIOB input signal as an external trigger. The ETRGEDG parameter defines the edge (rising, falling or both) detected to generate an external trigger. If ETRGEDG = 0 (none), the external trigger is disabled.



Figure 33-4. Capture Mode



### 33.5.3 Waveform Operating Mode

Waveform operating mode is entered by setting the WAVE parameter in TC\_CMR (Channel Mode Register).

In Waveform Operating Mode the TC channel generates 1 or 2 PWM signals with the same frequency and independently programmable duty cycles, or generates different types of one-shot or repetitive pulses.

In this mode, TIOA is configured as an output and TIOB is defined as an output if it is not used as an external event (EEVT parameter in TC\_CMR).

Figure 33-5 shows the configuration of the TC channel when programmed in Waveform Operating Mode.

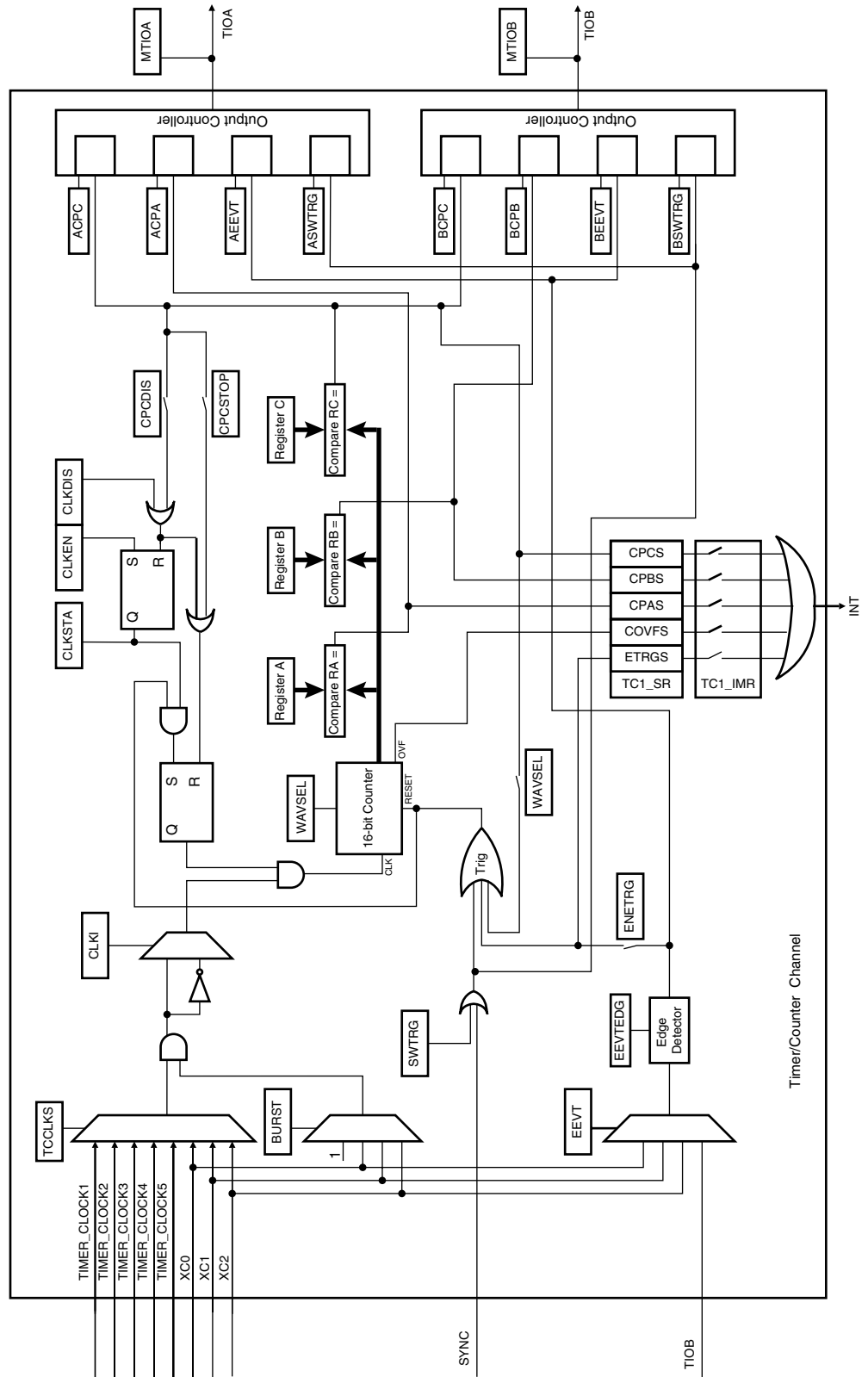
#### 33.5.3.1 Waveform Selection

Depending on the WAVSEL parameter in TC\_CMR (Channel Mode Register), the behavior of TC\_CV varies.

With any selection, RA, RB and RC can all be used as compare registers.

RA Compare is used to control the TIOA output, RB Compare is used to control the TIOB output (if correctly configured) and RC Compare is used to control TIOA and/or TIOB outputs.

Figure 33-5. Waveform Mode



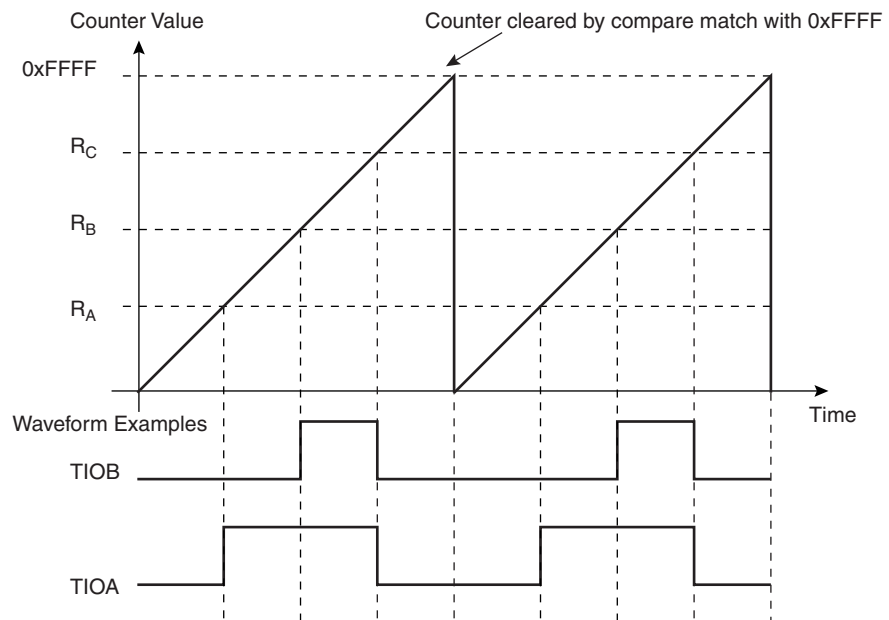
### 33.5.3.2 WAVSEL = 00

When WAVSEL = 00, the value of TC\_CV is incremented from 0 to 0xFFFF. Once 0xFFFF has been reached, the value of TC\_CV is reset. Incrementation of TC\_CV starts again and the cycle continues. See [Figure 33-6](#).

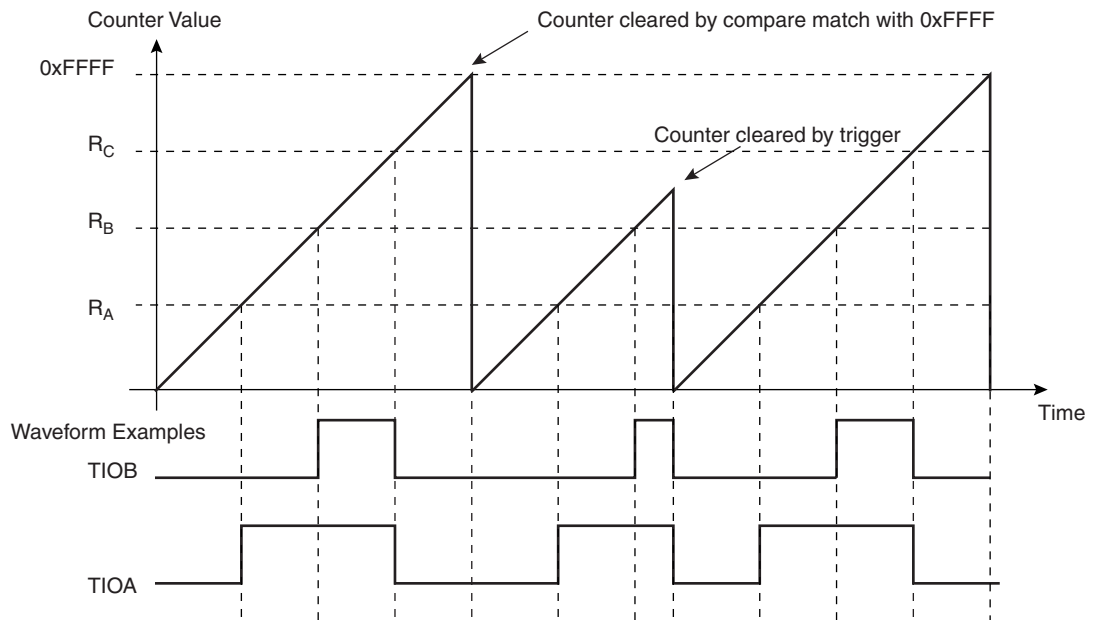
An external event trigger or a software trigger can reset the value of TC\_CV. It is important to note that the trigger may occur at any time. See [Figure 33-7](#).

RC Compare cannot be programmed to generate a trigger in this configuration. At the same time, RC Compare can stop the counter clock (CPCSTOP = 1 in TC\_CMR) and/or disable the counter clock (CPCDIS = 1 in TC\_CMR).

**Figure 33-6.** WAVSEL= 00 without trigger



**Figure 33-7.** WAVSEL= 00 with trigger



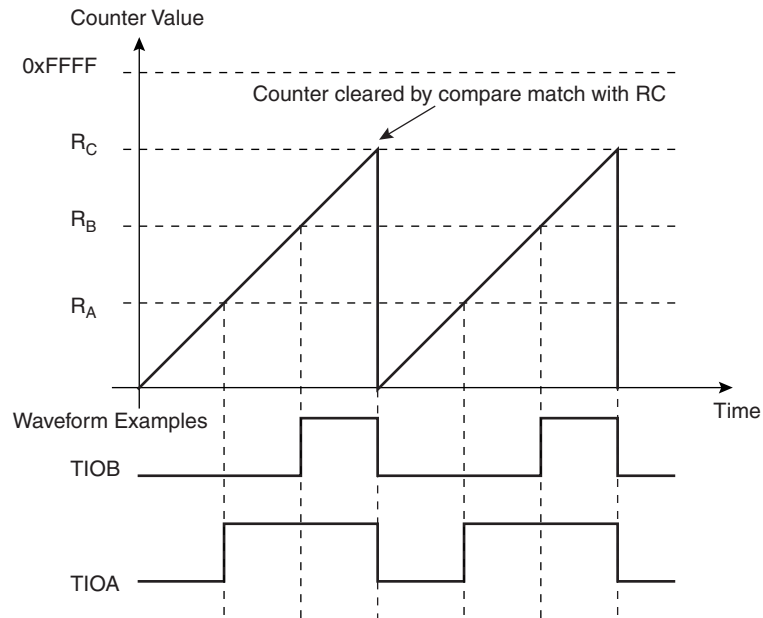
### 33.5.3.3 WAVSEL = 10

When WAVSEL = 10, the value of TC\_CV is incremented from 0 to the value of RC, then automatically reset on a RC Compare. Once the value of TC\_CV has been reset, it is then incremented and so on. See [Figure 33-8](#).

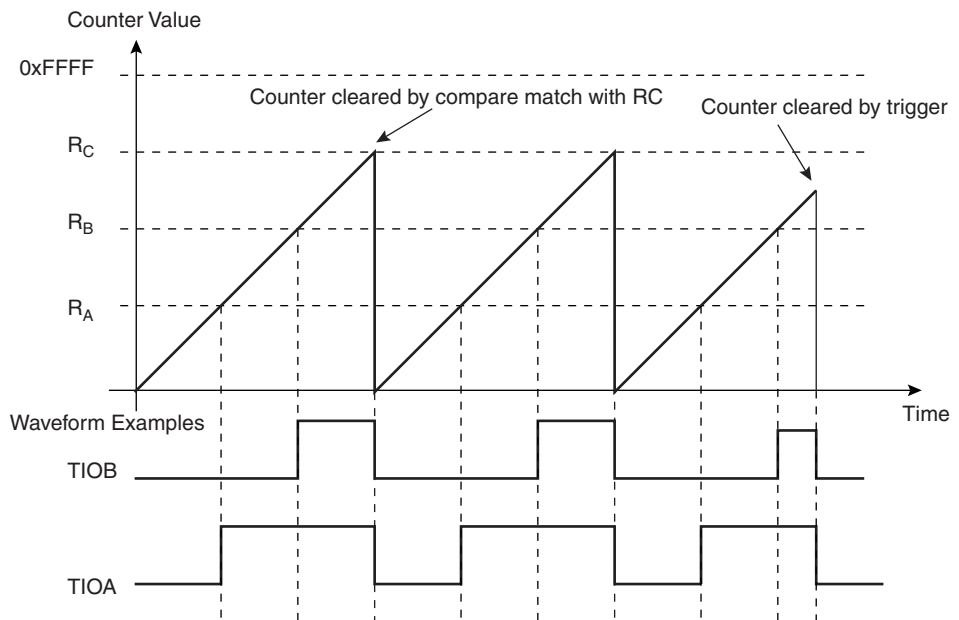
It is important to note that TC\_CV can be reset at any time by an external event or a software trigger if both are programmed correctly. See [Figure 33-9](#).

In addition, RC Compare can stop the counter clock (CPCSTOP = 1 in TC\_CMR) and/or disable the counter clock (CPCDIS = 1 in TC\_CMR).

**Figure 33-8.** WAVSEL = 10 Without Trigger



**Figure 33-9.** WAVSEL = 10 With Trigger



33.5.3.4 WAVSEL = 01

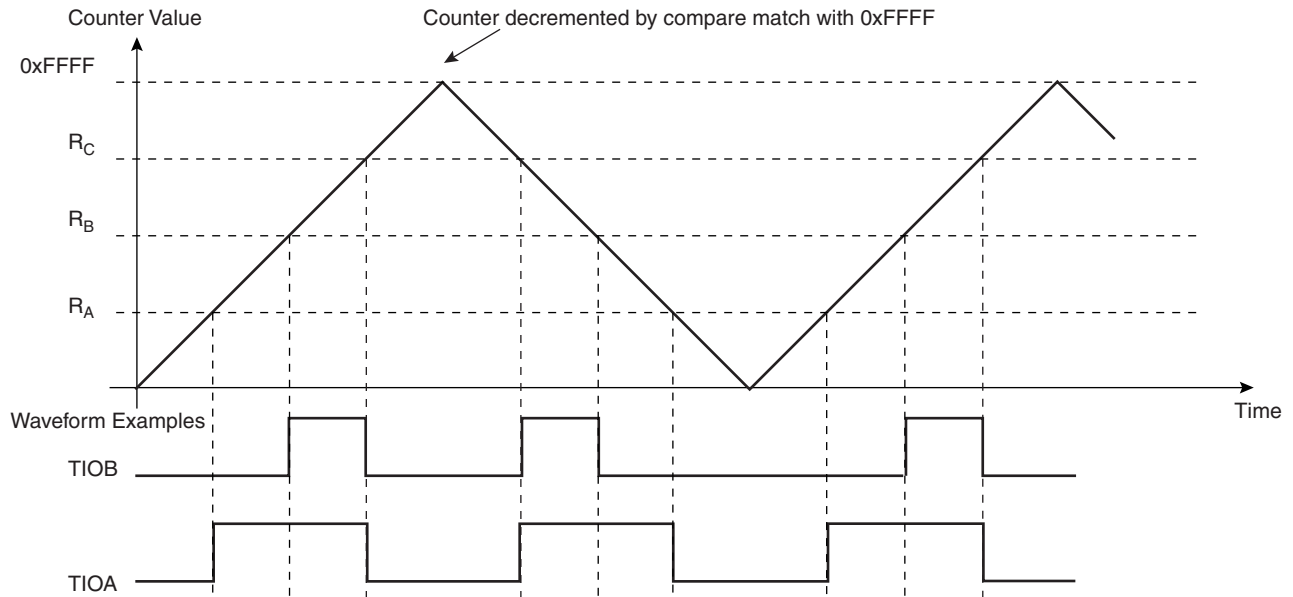
When WAVSEL = 01, the value of TC\_CV is incremented from 0 to 0xFFFF. Once 0xFFFF is reached, the value of TC\_CV is decremented to 0, then re-incremented to 0xFFFF and so on. See [Figure 33-10](#).

A trigger such as an external event or a software trigger can modify TC\_CV at any time. If a trigger occurs while TC\_CV is incrementing, TC\_CV then decrements. If a trigger is received while TC\_CV is decrementing, TC\_CV then increments. See [Figure 33-11](#).

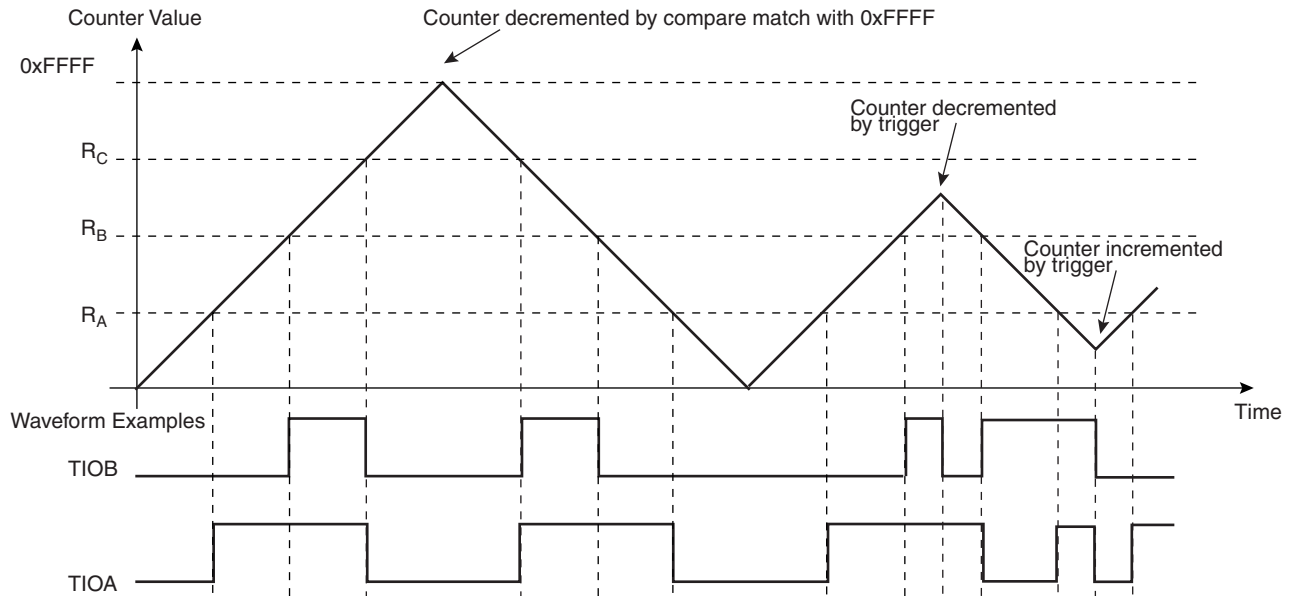
RC Compare cannot be programmed to generate a trigger in this configuration.

At the same time, RC Compare can stop the counter clock (CPCSTOP = 1) and/or disable the counter clock (CPCDIS = 1).

**Figure 33-10. WAVSEL = 01 Without Trigger**



**Figure 33-11. WAVSEL = 01 With Trigger**



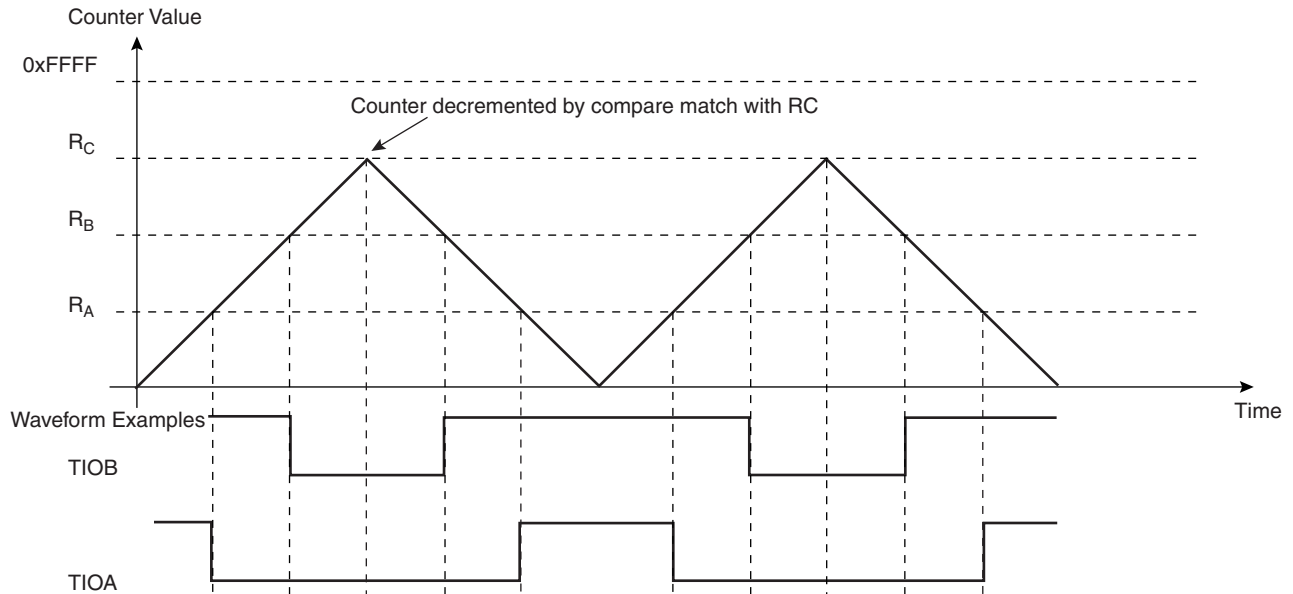
### 33.5.3.5 WAVSEL = 11

When WAVSEL = 11, the value of TC\_CV is incremented from 0 to RC. Once RC is reached, the value of TC\_CV is decremented to 0, then re-incremented to RC and so on. See [Figure 33-12](#).

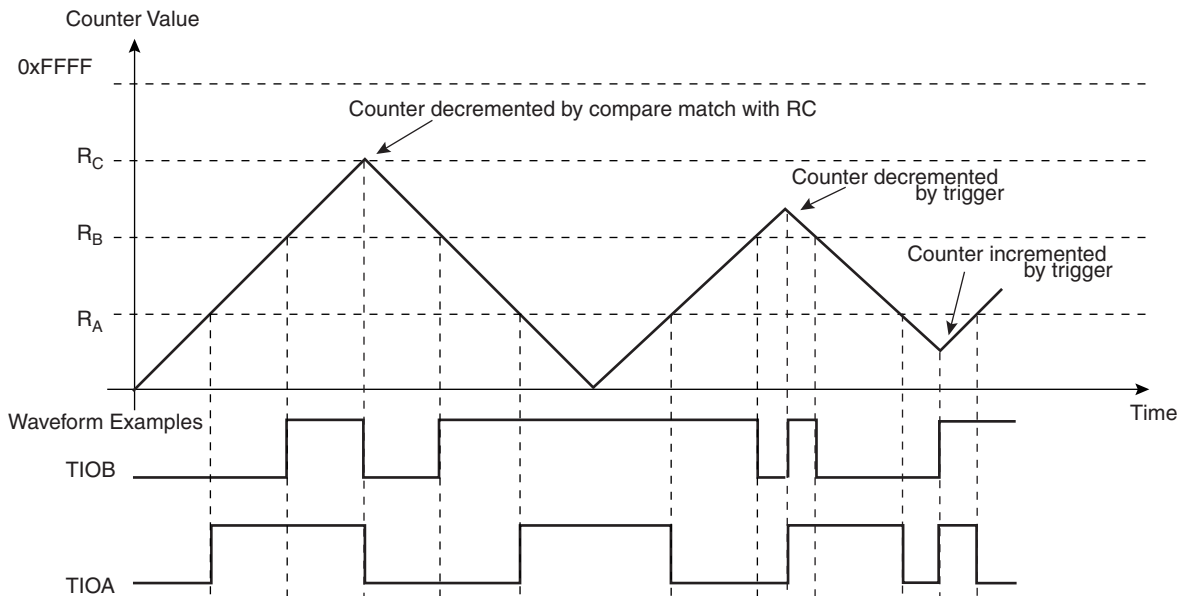
A trigger such as an external event or a software trigger can modify TC\_CV at any time. If a trigger occurs while TC\_CV is incrementing, TC\_CV then decrements. If a trigger is received while TC\_CV is decrementing, TC\_CV then increments. See [Figure 33-13](#).

RC Compare can stop the counter clock ( $CPCSTOP = 1$ ) and/or disable the counter clock ( $CPCDIS = 1$ ).

**Figure 33-12. WAVSEL = 11 Without Trigger**



**Figure 33-13. WAVSEL = 11 With Trigger**



**33.5.3.6 External Event/Trigger Conditions**

An external event can be programmed to be detected on one of the clock sources (XC0, XC1, XC2) or TIOB. The external event selected can then be used as a trigger.



The parameter EEVT parameter in TC\_CMR selects the external trigger. The EEVTEG parameter defines the trigger edge for each of the possible external triggers (rising, falling or both). If EEVTEG is cleared (none), no external event is defined.

If TIOB is defined as an external event signal (EEVT = 0), TIOB is no longer used as an output and the TC channel can only generate a waveform on TIOA.

When an external event is defined, it can be used as a trigger by setting bit ENETR in TC\_CMR.

As in Capture Mode, the SYNC signal and the software trigger are also available as triggers. RC Compare can also be used as a trigger depending on the parameter WAVSEL.

### 33.5.3.7 Output Controller

The output controller defines the output level changes on TIOA and TIOB following an event. TIOB control is used only if TIOB is defined as output (not as an external event).

The following events control TIOA and TIOB: software trigger, external event and RC compare. RA compare controls TIOA and RB compare controls TIOB. Each of these events can be programmed to set, clear or toggle the output as defined in the corresponding parameter in TC\_CMR.

## 33.6 Timer/Counter (TC) User Interface

### 33.6.1 Global Register Mapping

**Table 33-3.** Timer/Counter (TC) Global Register Map

| Offset | Channel/Register          | Name   | Access                         | Reset Value |
|--------|---------------------------|--------|--------------------------------|-------------|
| 0x00   | TC Channel 0              |        | See <a href="#">Table 33-4</a> |             |
| 0x40   | TC Channel 1              |        | See <a href="#">Table 33-4</a> |             |
| 0x80   | TC Channel 2              |        | See <a href="#">Table 33-4</a> |             |
| 0xC0   | TC Block Control Register | TC_BCR | Write-only                     | –           |
| 0xC4   | TC Block Mode Register    | TC_BMR | Read/Write                     | 0           |

TC\_BCR (Block Control Register) and TC\_BMR (Block Mode Register) control the whole TC block. TC channels are controlled by the registers listed in [Table 33-4](#). The offset of each of the channel registers in [Table 33-4](#) is in relation to the offset of the corresponding channel as mentioned in [Table 33-4](#).

### 33.6.2 Channel Memory Mapping

**Table 33-4.** Timer/Counter (TC) Channel Memory Mapping

| Offset    | Register                   | Name   | Access                    | Reset Value |
|-----------|----------------------------|--------|---------------------------|-------------|
| 0x00      | Channel Control Register   | TC_CCR | Write-only                | –           |
| 0x04      | Channel Mode Register      | TC_CMR | Read/Write                | 0           |
| 0x08      | Reserved                   | –      | –                         | –           |
| 0x0C      | Reserved                   | –      | –                         | –           |
| 0x10      | Counter Value              | TC_CV  | Read-only                 | 0           |
| 0x14      | Register A                 | TC_RA  | Read/Write <sup>(1)</sup> | 0           |
| 0x18      | Register B                 | TC_RB  | Read/Write <sup>(1)</sup> | 0           |
| 0x1C      | Register C                 | TC_RC  | Read/Write                | 0           |
| 0x20      | Status Register            | TC_SR  | Read-only                 | 0           |
| 0x24      | Interrupt Enable Register  | TC_IER | Write-only                | –           |
| 0x28      | Interrupt Disable Register | TC_IDR | Write-only                | –           |
| 0x2C      | Interrupt Mask Register    | TC_IMR | Read-only                 | 0           |
| 0x30-0xFC | Reserved                   | –      | –                         | –           |

Note: 1. Read only if WAVE = 0

## 33.6.3 TC Block Control Register

**Register Name:** TC\_BCR

**Access Type:** Write-only

|    |    |    |    |    |    |    |      |
|----|----|----|----|----|----|----|------|
| 31 | 30 | 29 | 28 | 27 | 26 | 25 | 24   |
| -  | -  | -  | -  | -  | -  | -  | -    |
| 23 | 22 | 21 | 20 | 19 | 18 | 17 | 16   |
| -  | -  | -  | -  | -  | -  | -  | -    |
| 15 | 14 | 13 | 12 | 11 | 10 | 9  | 8    |
| -  | -  | -  | -  | -  | -  | -  | -    |
| 7  | 6  | 5  | 4  | 3  | 2  | 1  | 0    |
| -  | -  | -  | -  | -  | -  | -  | SYNC |

- **SYNC: Synchro Command**

0 = No effect.

1 = Asserts the SYNC signal which generates a software trigger simultaneously for each of the channels.

### 33.6.4 TC Block Mode Register

Register Name: TC\_BMR

Access Type: Read/Write

|    |    |         |    |        |    |         |    |
|----|----|---------|----|--------|----|---------|----|
| 31 | 30 | 29      | 28 | 27     | 26 | 25      | 24 |
| -  | -  | -       | -  | -      | -  | -       | -  |
| 23 | 22 | 21      | 20 | 19     | 18 | 17      | 16 |
| -  | -  | -       | -  | -      | -  | -       | -  |
| 15 | 14 | 13      | 12 | 11     | 10 | 9       | 8  |
| -  | -  | -       | -  | -      | -  | -       | -  |
| 7  | 6  | 5       | 4  | 3      | 2  | 1       | 0  |
| -  | -  | TC2XC2S |    | TCXC1S |    | TC0XC0S |    |

- **TC0XC0S: External Clock Signal 0 Selection**

| TC0XC0S |   | Signal Connected to XC0 |
|---------|---|-------------------------|
| 0       | 0 | TCLK0                   |
| 0       | 1 | none                    |
| 1       | 0 | TIOA1                   |
| 1       | 1 | TIOA2                   |

- **TC1XC1S: External Clock Signal 1 Selection**

| TC1XC1S |   | Signal Connected to XC1 |
|---------|---|-------------------------|
| 0       | 0 | TCLK1                   |
| 0       | 1 | none                    |
| 1       | 0 | TIOA0                   |
| 1       | 1 | TIOA2                   |

- **TC2XC2S: External Clock Signal 2 Selection**

| TC2XC2S |   | Signal Connected to XC2 |
|---------|---|-------------------------|
| 0       | 0 | TCLK2                   |
| 0       | 1 | none                    |
| 1       | 0 | TIOA0                   |
| 1       | 1 | TIOA1                   |

## 33.6.5 TC Channel Control Register

**Register Name:** TC\_CCR

**Access Type:** Write-only

|    |    |    |    |    |       |        |       |
|----|----|----|----|----|-------|--------|-------|
| 31 | 30 | 29 | 28 | 27 | 26    | 25     | 24    |
| –  | –  | –  | –  | –  | –     | –      | –     |
| 23 | 22 | 21 | 20 | 19 | 18    | 17     | 16    |
| –  | –  | –  | –  | –  | –     | –      | –     |
| 15 | 14 | 13 | 12 | 11 | 10    | 9      | 8     |
| –  | –  | –  | –  | –  | –     | –      | –     |
| 7  | 6  | 5  | 4  | 3  | 2     | 1      | 0     |
| –  | –  | –  | –  | –  | SWTRG | CLKDIS | CLKEN |

- **CLKEN: Counter Clock Enable Command**

0 = No effect.

1 = Enables the clock if CLKDIS is not 1.

- **CLKDIS: Counter Clock Disable Command**

0 = No effect.

1 = Disables the clock.

- **SWTRG: Software Trigger Command**

0 = No effect.

1 = A software trigger is performed: the counter is reset and the clock is started.



### 33.6.6 TC Channel Mode Register: Capture Mode

**Register Name:** TC\_CMR

**Access Type:** Read/Write

|          |         |       |    |      |        |         |    |
|----------|---------|-------|----|------|--------|---------|----|
| 31       | 30      | 29    | 28 | 27   | 26     | 25      | 24 |
| –        | –       | –     | –  | –    | –      | –       | –  |
| 23       | 22      | 21    | 20 | 19   | 18     | 17      | 16 |
| –        | –       | –     | –  | LDRB |        | LDRA    |    |
| 15       | 14      | 13    | 12 | 11   | 10     | 9       | 8  |
| WAVE = 0 | CPCTRG  | –     | –  | –    | ABETRG | ETRGEDG |    |
| 7        | 6       | 5     | 4  | 3    | 2      | 1       | 0  |
| LDBDIS   | LDBSTOP | BURST |    | CLKI | TCCLKS |         |    |

- **TCCLKS: Clock Selection**

| TCCLKS |   |   | Clock Selected |
|--------|---|---|----------------|
| 0      | 0 | 0 | TIMER_CLOCK1   |
| 0      | 0 | 1 | TIMER_CLOCK2   |
| 0      | 1 | 0 | TIMER_CLOCK3   |
| 0      | 1 | 1 | TIMER_CLOCK4   |
| 1      | 0 | 0 | TIMER_CLOCK5   |
| 1      | 0 | 1 | XC0            |
| 1      | 1 | 0 | XC1            |
| 1      | 1 | 1 | XC2            |

- **CLKI: Clock Invert**

0 = Counter is incremented on rising edge of the clock.

1 = Counter is incremented on falling edge of the clock.

- **BURST: Burst Signal Selection**

| BURST |   |   |
|-------|---|---|
| 0     | 0 | The clock is not gated by an external signal. |
| 0     | 1 | XC0 is ANDed with the selected clock.         |
| 1     | 0 | XC1 is ANDed with the selected clock.         |
| 1     | 1 | XC2 is ANDed with the selected clock.         |

- **LDBSTOP: Counter Clock Stopped with RB Loading**

0 = Counter clock is not stopped when RB loading occurs.

1 = Counter clock is stopped when RB loading occurs.

- **LDBDIS: Counter Clock Disable with RB Loading**

0 = Counter clock is not disabled when RB loading occurs.

1 = Counter clock is disabled when RB loading occurs.

- **ETRGEDG: External Trigger Edge Selection**

| ETRGEDG |   | Edge         |
|---------|---|--------------|
| 0       | 0 | none         |
| 0       | 1 | rising edge  |
| 1       | 0 | falling edge |
| 1       | 1 | each edge    |

- **ABETRG: TIOA or TIOB External Trigger Selection**

0 = TIOB is used as an external trigger.

1 = TIOA is used as an external trigger.

- **CPCTRG: RC Compare Trigger Enable**

0 = RC Compare has no effect on the counter and its clock.

1 = RC Compare resets the counter and starts the counter clock.

- **WAVE**

0 = Capture Mode is enabled.

1 = Capture Mode is disabled (Waveform Mode is enabled).

- **LDRA: RA Loading Selection**

| LDRA |   | Edge                 |
|------|---|----------------------|
| 0    | 0 | none                 |
| 0    | 1 | rising edge of TIOA  |
| 1    | 0 | falling edge of TIOA |
| 1    | 1 | each edge of TIOA    |

- **LDRB: RB Loading Selection**

| LDRB |   | Edge                 |
|------|---|----------------------|
| 0    | 0 | none                 |
| 0    | 1 | rising edge of TIOA  |
| 1    | 0 | falling edge of TIOA |
| 1    | 1 | each edge of TIOA    |



### 33.6.7 TC Channel Mode Register: Waveform Mode

**Register Name:** TC\_CMR

**Access Type:** Read/Write

|          |         |       |        |      |        |         |    |
|----------|---------|-------|--------|------|--------|---------|----|
| 31       | 30      | 29    | 28     | 27   | 26     | 25      | 24 |
| BSWTRG   |         | BEEVT |        | BCPC |        | BCPB    |    |
| 23       | 22      | 21    | 20     | 19   | 18     | 17      | 16 |
| ASWTRG   |         | AEEVT |        | ACPC |        | ACPA    |    |
| 15       | 14      | 13    | 12     | 11   | 10     | 9       | 8  |
| WAVE = 1 | WAVSEL  |       | ENETRГ | EEVT |        | EEVTEDG |    |
| 7        | 6       | 5     | 4      | 3    | 2      | 1       | 0  |
| CPCDIS   | CPCSTOP | BURST |        | CLKI | TCCLKS |         |    |

- **TCCLKS: Clock Selection**

| TCCLKS |   |   | Clock Selected |
|--------|---|---|----------------|
| 0      | 0 | 0 | TIMER_CLOCK1   |
| 0      | 0 | 1 | TIMER_CLOCK2   |
| 0      | 1 | 0 | TIMER_CLOCK3   |
| 0      | 1 | 1 | TIMER_CLOCK4   |
| 1      | 0 | 0 | TIMER_CLOCK5   |
| 1      | 0 | 1 | XC0            |
| 1      | 1 | 0 | XC1            |
| 1      | 1 | 1 | XC2            |

- **CLKI: Clock Invert**

0 = Counter is incremented on rising edge of the clock.

1 = Counter is incremented on falling edge of the clock.

- **BURST: Burst Signal Selection**

| BURST |   |   |
|-------|---|---|
| 0     | 0 | The clock is not gated by an external signal. |
| 0     | 1 | XC0 is ANDed with the selected clock.         |
| 1     | 0 | XC1 is ANDed with the selected clock.         |
| 1     | 1 | XC2 is ANDed with the selected clock.         |

- **CPCSTOP: Counter Clock Stopped with RC Compare**

0 = Counter clock is not stopped when counter reaches RC.

1 = Counter clock is stopped when counter reaches RC.

- **CPCDIS: Counter Clock Disable with RC Compare**

0 = Counter clock is not disabled when counter reaches RC.

1 = Counter clock is disabled when counter reaches RC.



- **EEVTEDG: External Event Edge Selection**

| EEVTEDG |   | Edge         |
|---------|---|--------------|
| 0       | 0 | none         |
| 0       | 1 | rising edge  |
| 1       | 0 | falling edge |
| 1       | 1 | each edge    |

- **EEVT: External Event Selection**

| EEVT |   | Signal selected as external event | TIOB Direction       |
|------|---|-----------------------------------|----------------------|
| 0    | 0 | TIOB                              | input <sup>(1)</sup> |
| 0    | 1 | XC0                               | output               |
| 1    | 0 | XC1                               | output               |
| 1    | 1 | XC2                               | output               |

Note: 1. If TIOB is chosen as the external event signal, it is configured as an input and no longer generates waveforms.

- **ENETRQ: External Event Trigger Enable**

0 = The external event has no effect on the counter and its clock. In this case, the selected external event only controls the TIOA output.

1 = The external event resets the counter and starts the counter clock.

- **WAVSEL: Waveform Selection**

| WAVSEL |   | Effect  |
|--------|---|---|
| 0      | 0 | UP mode without automatic trigger on RC Compare     |
| 1      | 0 | UP mode with automatic trigger on RC Compare        |
| 0      | 1 | UPDOWN mode without automatic trigger on RC Compare |
| 1      | 1 | UPDOWN mode with automatic trigger on RC Compare    |

- **WAVE = 1**

0 = Waveform Mode is disabled (Capture Mode is enabled).

1 = Waveform Mode is enabled.

- **ACPA: RA Compare Effect on TIOA**

| ACPA |   | Effect |
|------|---|--------|
| 0    | 0 | none   |
| 0    | 1 | set    |
| 1    | 0 | clear  |
| 1    | 1 | toggle |

- **ACPC: RC Compare Effect on TIOA**

| ACPC |   | Effect |
|------|---|--------|
| 0    | 0 | none   |
| 0    | 1 | set    |
| 1    | 0 | clear  |
| 1    | 1 | toggle |

- **AEEVT: External Event Effect on TIOA**

| AEEVT |   | Effect |
|-------|---|--------|
| 0     | 0 | none   |
| 0     | 1 | set    |
| 1     | 0 | clear  |
| 1     | 1 | toggle |

- **ASWTRG: Software Trigger Effect on TIOA**

| ASWTRG |   | Effect |
|--------|---|--------|
| 0      | 0 | none   |
| 0      | 1 | set    |
| 1      | 0 | clear  |
| 1      | 1 | toggle |

- **BCPB: RB Compare Effect on TIOB**

| BCPB |   | Effect |
|------|---|--------|
| 0    | 0 | none   |
| 0    | 1 | set    |
| 1    | 0 | clear  |
| 1    | 1 | toggle |

- **BCPC: RC Compare Effect on TIOB**

| BCPC |   | Effect |
|------|---|--------|
| 0    | 0 | none   |
| 0    | 1 | set    |
| 1    | 0 | clear  |
| 1    | 1 | toggle |

- **BEEVT: External Event Effect on TIOB**

| BEEVT |   | Effect |
|-------|---|--------|
| 0     | 0 | none   |
| 0     | 1 | set    |
| 1     | 0 | clear  |
| 1     | 1 | toggle |

- **BSWTRG: Software Trigger Effect on TIOB**

| BSWTRG |   | Effect |
|--------|---|--------|
| 0      | 0 | none   |
| 0      | 1 | set    |
| 1      | 0 | clear  |
| 1      | 1 | toggle |



**33.6.8 TC Counter Value Register**

**Register Name:** TC\_CV

**Access Type:** Read-only

|    |    |    |    |    |    |    |    |
|----|----|----|----|----|----|----|----|
| 31 | 30 | 29 | 28 | 27 | 26 | 25 | 24 |
| -  | -  | -  | -  | -  | -  | -  | -  |
| 23 | 22 | 21 | 20 | 19 | 18 | 17 | 16 |
| -  | -  | -  | -  | -  | -  | -  | -  |
| 15 | 14 | 13 | 12 | 11 | 10 | 9  | 8  |
| CV |    |    |    |    |    |    |    |
| 7  | 6  | 5  | 4  | 3  | 2  | 1  | 0  |
| CV |    |    |    |    |    |    |    |

- **CV: Counter Value**

CV contains the counter value in real time.



## 33.6.9 TC Register A

**Register Name:** TC\_RA

**Access Type:** Read-only if WAVE = 0, Read/Write if WAVE = 1

|    |    |    |    |    |    |    |    |
|----|----|----|----|----|----|----|----|
| 31 | 30 | 29 | 28 | 27 | 26 | 25 | 24 |
| -  | -  | -  | -  | -  | -  | -  | -  |
| 23 | 22 | 21 | 20 | 19 | 18 | 17 | 16 |
| -  | -  | -  | -  | -  | -  | -  | -  |
| 15 | 14 | 13 | 12 | 11 | 10 | 9  | 8  |
| RA |    |    |    |    |    |    |    |
| 7  | 6  | 5  | 4  | 3  | 2  | 1  | 0  |
| RA |    |    |    |    |    |    |    |

- **RA: Register A**

RA contains the Register A value in real time.

### 33.6.10 TC Register B

**Register Name:** TC\_RB

**Access Type:** Read-only if WAVE = 0, Read/Write if WAVE = 1

|    |    |    |    |    |    |    |    |
|----|----|----|----|----|----|----|----|
| 31 | 30 | 29 | 28 | 27 | 26 | 25 | 24 |
| –  | –  | –  | –  | –  | –  | –  | –  |
| 23 | 22 | 21 | 20 | 19 | 18 | 17 | 16 |
| –  | –  | –  | –  | –  | –  | –  | –  |
| 15 | 14 | 13 | 12 | 11 | 10 | 9  | 8  |
| RB |    |    |    |    |    |    |    |
| 7  | 6  | 5  | 4  | 3  | 2  | 1  | 0  |
| RB |    |    |    |    |    |    |    |

- **RB: Register B**

RB contains the Register B value in real time.

### 33.6.11 TC Register C

**Register Name:** TC\_RC

**Access Type:** Read/Write

|    |    |    |    |    |    |    |    |
|----|----|----|----|----|----|----|----|
| 31 | 30 | 29 | 28 | 27 | 26 | 25 | 24 |
| –  | –  | –  | –  | –  | –  | –  | –  |
| 23 | 22 | 21 | 20 | 19 | 18 | 17 | 16 |
| –  | –  | –  | –  | –  | –  | –  | –  |
| 15 | 14 | 13 | 12 | 11 | 10 | 9  | 8  |
| RC |    |    |    |    |    |    |    |
| 7  | 6  | 5  | 4  | 3  | 2  | 1  | 0  |
| RC |    |    |    |    |    |    |    |

- **RC: Register C**

RC contains the Register C value in real time.

## 33.6.12 TC Status Register

**Register Name:** TC\_SR

**Access Type:** Read-only

|       |       |       |      |      |       |       |        |
|-------|-------|-------|------|------|-------|-------|--------|
| 31    | 30    | 29    | 28   | 27   | 26    | 25    | 24     |
| –     | –     | –     | –    | –    | –     | –     | –      |
| 23    | 22    | 21    | 20   | 19   | 18    | 17    | 16     |
| –     | –     | –     | –    | –    | MTIOB | MTIOA | CLKSTA |
| 15    | 14    | 13    | 12   | 11   | 10    | 9     | 8      |
| –     | –     | –     | –    | –    | –     | –     | –      |
| 7     | 6     | 5     | 4    | 3    | 2     | 1     | 0      |
| ETRGS | LDRBS | LDRAS | CPCS | CPBS | CPAS  | LOVRS | COVFS  |

- **COVFS: Counter Overflow Status**

0 = No counter overflow has occurred since the last read of the Status Register.

1 = A counter overflow has occurred since the last read of the Status Register.

- **LOVRS: Load Overrun Status**

0 = Load overrun has not occurred since the last read of the Status Register or WAVE = 1.

1 = RA or RB have been loaded at least twice without any read of the corresponding register since the last read of the Status Register, if WAVE = 0.

- **CPAS: RA Compare Status**

0 = RA Compare has not occurred since the last read of the Status Register or WAVE = 0.

1 = RA Compare has occurred since the last read of the Status Register, if WAVE = 1.

- **CPBS: RB Compare Status**

0 = RB Compare has not occurred since the last read of the Status Register or WAVE = 0.

1 = RB Compare has occurred since the last read of the Status Register, if WAVE = 1.

- **CPCS: RC Compare Status**

0 = RC Compare has not occurred since the last read of the Status Register.

1 = RC Compare has occurred since the last read of the Status Register.

- **LDRAS: RA Loading Status**

0 = RA Load has not occurred since the last read of the Status Register or WAVE = 1.

1 = RA Load has occurred since the last read of the Status Register, if WAVE = 0.

- **LDRBS: RB Loading Status**

0 = RB Load has not occurred since the last read of the Status Register or WAVE = 1.

1 = RB Load has occurred since the last read of the Status Register, if WAVE = 0.

- **ETRGS: External Trigger Status**

0 = External trigger has not occurred since the last read of the Status Register.

1 = External trigger has occurred since the last read of the Status Register.

- **CLKSTA: Clock Enabling Status**

0 = Clock is disabled.

1 = Clock is enabled.

- **MTIOA: TIOA Mirror**

0 = TIOA is low. If WAVE = 0, this means that TIOA pin is low. If WAVE = 1, this means that TIOA is driven low.

1 = TIOA is high. If WAVE = 0, this means that TIOA pin is high. If WAVE = 1, this means that TIOA is driven high.

- **MTIOB: TIOB Mirror**

0 = TIOB is low. If WAVE = 0, this means that TIOB pin is low. If WAVE = 1, this means that TIOB is driven low.

1 = TIOB is high. If WAVE = 0, this means that TIOB pin is high. If WAVE = 1, this means that TIOB is driven high.



## 33.6.13 TC Interrupt Enable Register

**Register Name:** TC\_IER

**Access Type:** Write-only

|       |       |       |      |      |      |       |       |
|-------|-------|-------|------|------|------|-------|-------|
| 31    | 30    | 29    | 28   | 27   | 26   | 25    | 24    |
| –     | –     | –     | –    | –    | –    | –     | –     |
| 23    | 22    | 21    | 20   | 19   | 18   | 17    | 16    |
| –     | –     | –     | –    | –    | –    | –     | –     |
| 15    | 14    | 13    | 12   | 11   | 10   | 9     | 8     |
| –     | –     | –     | –    | –    | –    | –     | –     |
| 7     | 6     | 5     | 4    | 3    | 2    | 1     | 0     |
| ETRGS | LDRBS | LDRAS | CPCS | CPBS | CPAS | LOVRS | COVFS |

- **COVFS: Counter Overflow**

0 = No effect.

1 = Enables the Counter Overflow Interrupt.

- **LOVRS: Load Overrun**

0 = No effect.

1 = Enables the Load Overrun Interrupt.

- **CPAS: RA Compare**

0 = No effect.

1 = Enables the RA Compare Interrupt.

- **CPBS: RB Compare**

0 = No effect.

1 = Enables the RB Compare Interrupt.

- **CPCS: RC Compare**

0 = No effect.

1 = Enables the RC Compare Interrupt.

- **LDRAS: RA Loading**

0 = No effect.

1 = Enables the RA Load Interrupt.

- **LDRBS: RB Loading**

0 = No effect.

1 = Enables the RB Load Interrupt.

- **ETRGS: External Trigger**

0 = No effect.

1 = Enables the External Trigger Interrupt.

### 33.6.14 TC Interrupt Disable Register

**Register Name:** TC\_IDR

**Access Type:** Write-only

|       |       |       |      |      |      |       |       |
|-------|-------|-------|------|------|------|-------|-------|
| 31    | 30    | 29    | 28   | 27   | 26   | 25    | 24    |
| –     | –     | –     | –    | –    | –    | –     | –     |
| 23    | 22    | 21    | 20   | 19   | 18   | 17    | 16    |
| –     | –     | –     | –    | –    | –    | –     | –     |
| 15    | 14    | 13    | 12   | 11   | 10   | 9     | 8     |
| –     | –     | –     | –    | –    | –    | –     | –     |
| 7     | 6     | 5     | 4    | 3    | 2    | 1     | 0     |
| ETRGS | LDRBS | LDRAS | CPCS | CPBS | CPAS | LOVRS | COVFS |

- **COVFS: Counter Overflow**

0 = No effect.

1 = Disables the Counter Overflow Interrupt.

- **LOVRS: Load Overrun**

0 = No effect.

1 = Disables the Load Overrun Interrupt (if WAVE = 0).

- **CPAS: RA Compare**

0 = No effect.

1 = Disables the RA Compare Interrupt (if WAVE = 1).

- **CPBS: RB Compare**

0 = No effect.

1 = Disables the RB Compare Interrupt (if WAVE = 1).

- **CPCS: RC Compare**

0 = No effect.

1 = Disables the RC Compare Interrupt.

- **LDRAS: RA Loading**

0 = No effect.

1 = Disables the RA Load Interrupt (if WAVE = 0).

- **LDRBS: RB Loading**

0 = No effect.

1 = Disables the RB Load Interrupt (if WAVE = 0).

- **ETRGS: External Trigger**

0 = No effect.

1 = Disables the External Trigger Interrupt.

## 33.6.15 TC Interrupt Mask Register

**Register Name:** TC\_IMR

**Access Type:** Read-only

|       |       |       |      |      |      |       |       |
|-------|-------|-------|------|------|------|-------|-------|
| 31    | 30    | 29    | 28   | 27   | 26   | 25    | 24    |
| –     | –     | –     | –    | –    | –    | –     | –     |
| 23    | 22    | 21    | 20   | 19   | 18   | 17    | 16    |
| –     | –     | –     | –    | –    | –    | –     | –     |
| 15    | 14    | 13    | 12   | 11   | 10   | 9     | 8     |
| –     | –     | –     | –    | –    | –    | –     | –     |
| 7     | 6     | 5     | 4    | 3    | 2    | 1     | 0     |
| ETRGS | LDRBS | LDRAS | CPCS | CPBS | CPAS | LOVRS | COVFS |

- **COVFS: Counter Overflow**

0 = The Counter Overflow Interrupt is disabled.

1 = The Counter Overflow Interrupt is enabled.

- **LOVRS: Load Overrun**

0 = The Load Overrun Interrupt is disabled.

1 = The Load Overrun Interrupt is enabled.

- **CPAS: RA Compare**

0 = The RA Compare Interrupt is disabled.

1 = The RA Compare Interrupt is enabled.

- **CPBS: RB Compare**

0 = The RB Compare Interrupt is disabled.

1 = The RB Compare Interrupt is enabled.

- **CPCS: RC Compare**

0 = The RC Compare Interrupt is disabled.

1 = The RC Compare Interrupt is enabled.

- **LDRAS: RA Loading**

0 = The Load RA Interrupt is disabled.

1 = The Load RA Interrupt is enabled.

- **LDRBS: RB Loading**

0 = The Load RB Interrupt is disabled.

1 = The Load RB Interrupt is enabled.

- **ETRGS: External Trigger**

0 = The External Trigger Interrupt is disabled.

1 = The External Trigger Interrupt is enabled.



## 34. Pulse Width Modulation Controller (PWM)

### 34.1 Overview

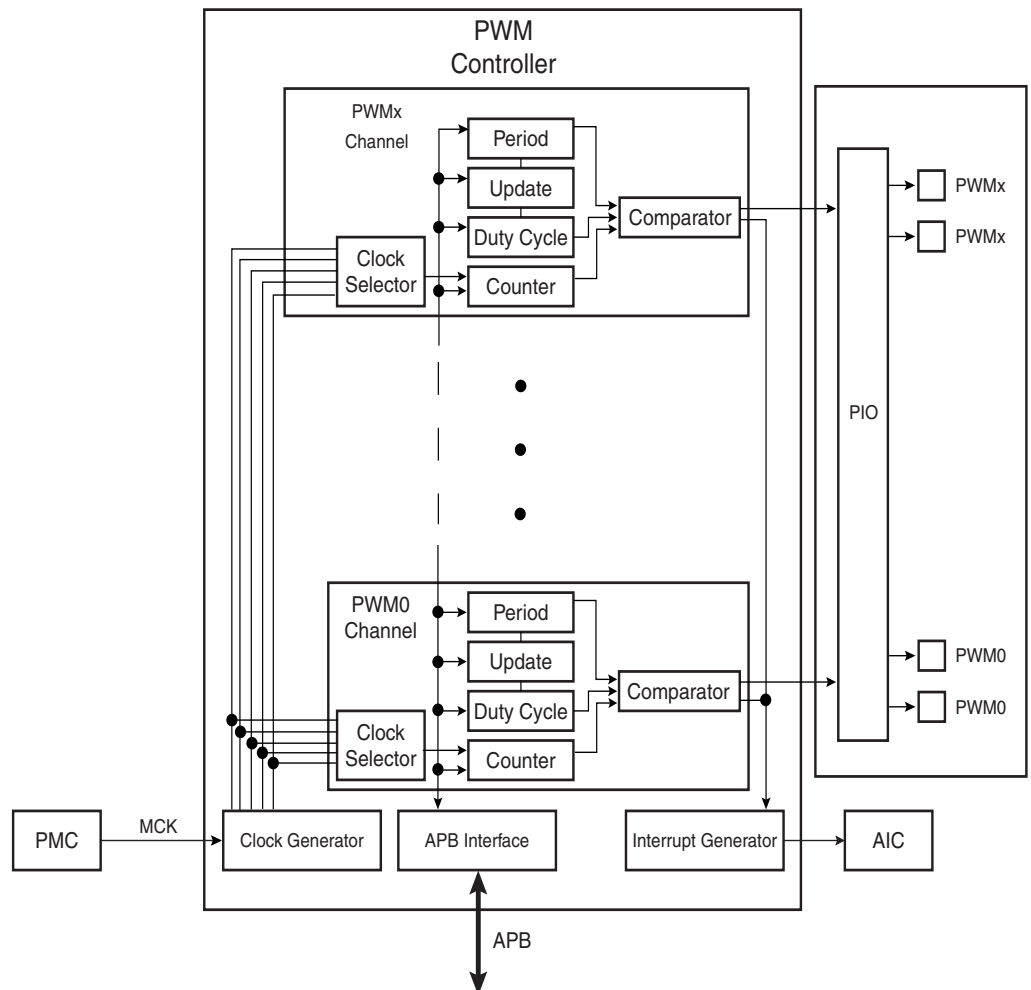
The PWM macrocell controls several channels independently. Each channel controls one square output waveform. Characteristics of the output waveform such as period, duty-cycle and polarity are configurable through the user interface. Each channel selects and uses one of the clocks provided by the clock generator. The clock generator provides several clocks resulting from the division of the PWM macrocell master clock.

All PWM macrocell accesses are made through APB mapped registers.

Channels can be synchronized, to generate non overlapped waveforms. All channels integrate a double buffering system in order to prevent an unexpected output waveform while modifying the period or the duty-cycle.

### 34.2 Block Diagram

**Figure 34-1.** Pulse Width Modulation Controller Block Diagram



### 34.3 I/O Lines Description

Each channel outputs one waveform on one external I/O line.

**Table 34-1.** I/O Line Description

| Name             | Description                       | Type   |
|------------------|-----------------------------------|--------|
| PWM <sub>x</sub> | PWM Waveform Output for channel x | Output |

### 34.4 Product Dependencies

#### 34.4.1 I/O Lines

The pins used for interfacing the PWM may be multiplexed with PIO lines. The programmer must first program the PIO controller to assign the desired PWM pins to their peripheral function. If I/O lines of the PWM are not used by the application, they can be used for other purposes by the PIO controller.

All of the PWM outputs may or may not be enabled. If an application requires only four channels, then only four PIO lines will be assigned to PWM outputs.

#### 34.4.2 Power Management

The PWM is not continuously clocked. The programmer must first enable the PWM clock in the Power Management Controller (PMC) before using the PWM. However, if the application does not require PWM operations, the PWM clock can be stopped when not needed and be restarted later. In this case, the PWM will resume its operations where it left off.

Configuring the PWM does not require the PWM clock to be enabled.

#### 34.4.3 Interrupt Sources

The PWM interrupt line is connected on one of the internal sources of the Advanced Interrupt Controller. Using the PWM interrupt requires the AIC to be programmed first. Note that it is not recommended to use the PWM interrupt line in edge sensitive mode.

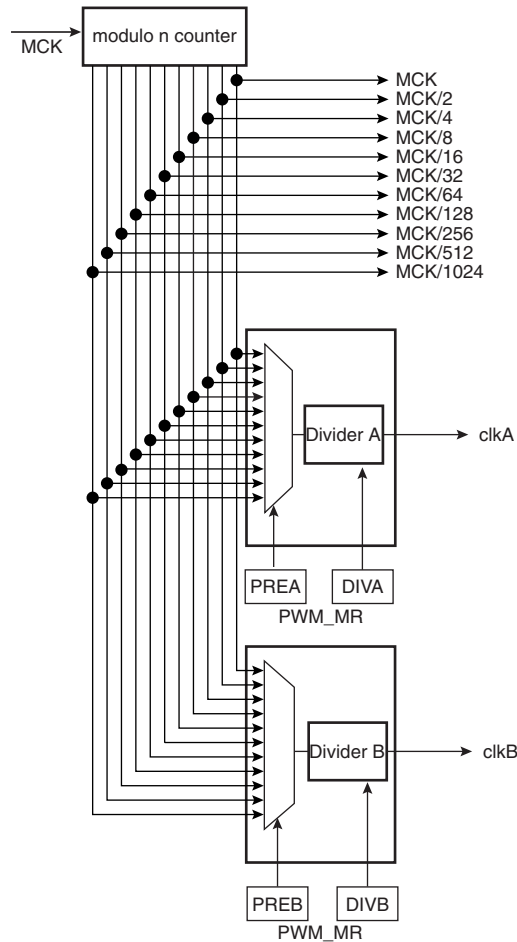
## 34.5 Functional Description

The PWM macrocell is primarily composed of a clock generator module and 4 channels.

- Clocked by the system clock, MCK, the clock generator module provides 13 clocks.
- Each channel can independently choose one of the clock generator outputs.
- Each channel generates an output waveform with attributes that can be defined independently for each channel through the user interface registers.

### 34.5.1 PWM Clock Generator

**Figure 34-2.** Functional View of the Clock Generator Block Diagram



**Caution:** Before using the PWM macrocell, the programmer must first enable the PWM clock in the Power Management Controller (PMC).

The PWM macrocell master clock, MCK, is divided in the clock generator module to provide different clocks available for all channels. Each channel can independently select one of the divided clocks.

The clock generator is divided in three blocks:

- a modulo n counter which provides 11 clocks:  $F_{MCK}$ ,  $F_{MCK}/2$ ,  $F_{MCK}/4$ ,  $F_{MCK}/8$ ,  $F_{MCK}/16$ ,  $F_{MCK}/32$ ,  $F_{MCK}/64$ ,  $F_{MCK}/128$ ,  $F_{MCK}/256$ ,  $F_{MCK}/512$ ,  $F_{MCK}/1024$
- two linear dividers (1, 1/2, 1/3, ... 1/255) that provide two separate clocks: clkA and clkB

Each linear divider can independently divide one of the clocks of the modulo n counter. The selection of the clock to be divided is made according to the PREA (PREB) field of the PWM Mode register (PWM\_MR). The resulting clock clkA (clkB) is the clock selected divided by DIVA (DIVB) field value in the PWM Mode register (PWM\_MR).

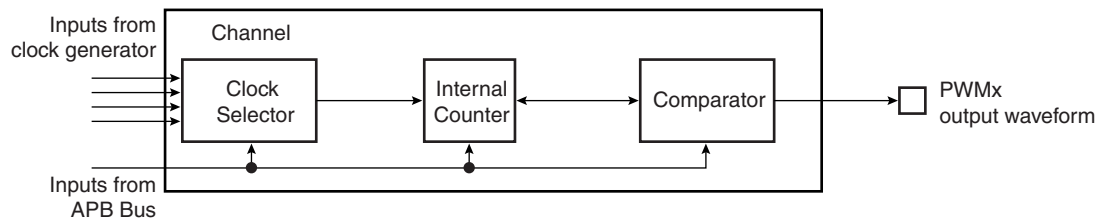
After a reset of the PWM controller, DIVA (DIVB) and PREA (PREB) in the PWM Mode register are set to 0. This implies that after reset clkA (clkB) are turned off.

At reset, all clocks provided by the modulo n counter are turned off except clock “clk”. This situation is also true when the PWM master clock is turned off through the Power Management Controller.

## 34.5.2 PWM Channel

### 34.5.2.1 Block Diagram

**Figure 34-3.** Functional View of the Channel Block Diagram



Each of the 4 channels is composed of three blocks:

- A clock selector which selects one of the clocks provided by the clock generator described in [Section 34.5.1 "PWM Clock Generator", on page 423](#).
- An internal counter clocked by the output of the clock selector. This internal counter is incremented or decremented according to the channel configuration and comparators events. The size of the internal counter is 16 bits.
- A comparator used to generate events according to the internal counter value. It also computes the PWMx output waveform according to the configuration.

### 34.5.2.2 Waveform Properties

The different properties of output waveforms are:

- the **internal clock selection**. The internal channel counter is clocked by one of the clocks provided by the clock generator described in the previous section. This channel parameter is defined in the CPRE field of the PWM\_CMRx register. This field is reset at 0.
- the **waveform period**. This channel parameter is defined in the CPRD field of the PWM\_CPRDx register.

- If the waveform is left aligned, then the output waveform period depends on the counter source clock and can be calculated:

By using the Master Clock (MCK) divided by an X given prescaler value (with X being 1, 2, 4, 8, 16, 32, 64, 128, 256, 512, or 1024), the resulting period formula will be:

$$\frac{(X \times CPRD)}{MCK}$$



By using a Master Clock divided by one of both DIVA or DIVB divider, the formula becomes, respectively:

$$\frac{(CRPD \times DIVA)}{MCK} \text{ or } \frac{(CRPD \times DIVB)}{MCK}$$

If the waveform is center aligned then the output waveform period depends on the counter source clock and can be calculated:

By using the Master Clock (MCK) divided by an X given prescaler value (with X being 1, 2, 4, 8, 16, 32, 64, 128, 256, 512, or 1024). The resulting period formula will be:

$$\frac{(2 \times X \times CPRD)}{MCK}$$

By using a Master Clock divided by one of both DIVA or DIVB divider, the formula becomes, respectively:

$$\frac{(2 \times CPRD \times DIVA)}{MCK} \text{ or } \frac{(2 \times CPRD \times DIVB)}{MCK}$$

- the **waveform duty cycle**. This channel parameter is defined in the CDTY field of the PWM\_CDTYx register.

If the waveform is left aligned then:

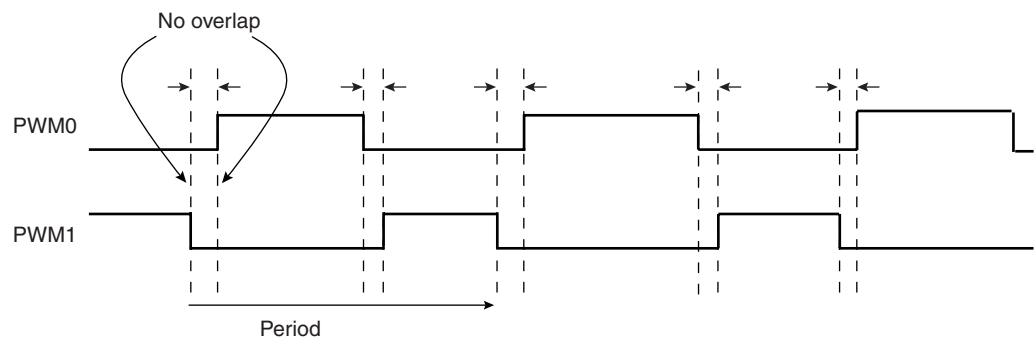
$$\text{duty cycle} = \frac{(\text{period} - 1 / \text{fchannel\_x\_clock} \times \text{CDTY})}{\text{period}}$$

If the waveform is center aligned, then:

$$\text{uty cycle} = \frac{((\text{period} / 2) - 1 / \text{fchannel\_x\_clock} \times \text{CDTY})}{(\text{period} / 2)}$$

- the **waveform polarity**. At the beginning of the period, the signal can be at high or low level. This property is defined in the CPOL field of the PWM\_CMRx register. By default the signal starts by a low level.
- the **waveform alignment**. The output waveform can be left or center aligned. Center aligned waveforms can be used to generate non overlapped waveforms. This property is defined in the CALG field of the PWM\_CMRx register. The default mode is left aligned.

**Figure 34-4.** Non Overlapped Center Aligned Waveforms<sup>(1)</sup>



Note: 1. See [Figure 34-5 on page 427](#) for a detailed description of center aligned waveforms.

When center aligned, the internal channel counter increases up to CPRD and decreases down to 0. This ends the period.

When left aligned, the internal channel counter increases up to CPRD and is reset. This ends the period.

Thus, for the same CPRD value, the period for a center aligned channel is twice the period for a left aligned channel.

Waveforms are fixed at 0 when:

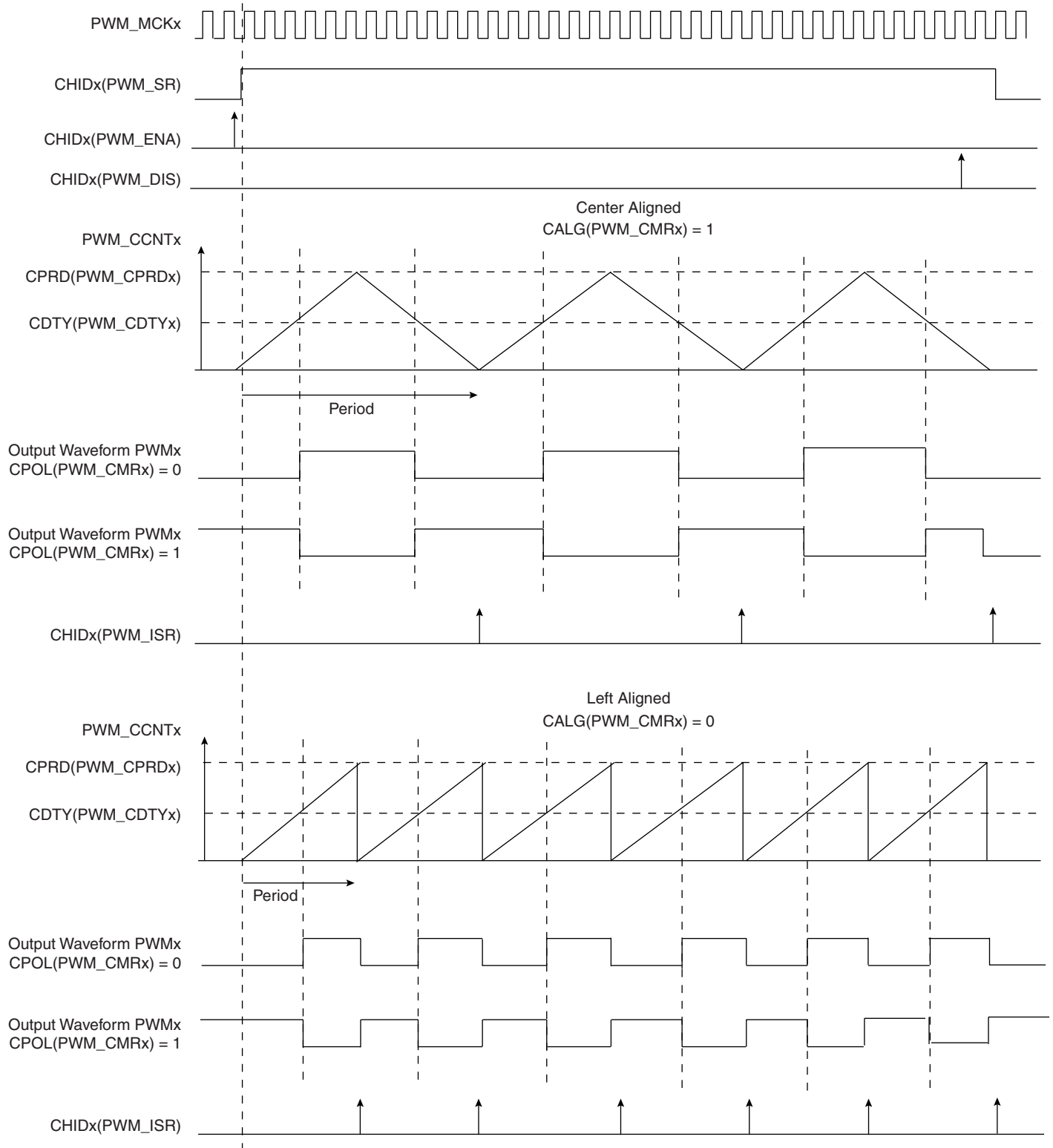
- $CDTY = CPRD$  and  $CPOL = 0$
- $CDTY = 0$  and  $CPOL = 1$

Waveforms are fixed at 1 (once the channel is enabled) when:

- $CDTY = 0$  and  $CPOL = 0$
- $CDTY = CPRD$  and  $CPOL = 1$

The waveform polarity must be set before enabling the channel. This immediately affects the channel output level. Changes on channel polarity are not taken into account while the channel is enabled.

**Figure 34-5. Waveform Properties**



### 34.5.3 PWM Controller Operations

#### 34.5.3.1 Initialization

Before enabling the output channel, this channel must have been configured by the software application:

- Configuration of the clock generator if DIVA and DIVB are required
- Selection of the clock for each channel (CPRE field in the PWM\_CMRx register)
- Configuration of the waveform alignment for each channel (CALG field in the PWM\_CMRx register)
- Configuration of the period for each channel (CPRD in the PWM\_CPRDx register). Writing in PWM\_CPRDx Register is possible while the channel is disabled. After validation of the channel, the user must use PWM\_CUPDx Register to update PWM\_CPRDx as explained below.
- Configuration of the duty cycle for each channel (CDTY in the PWM\_CDTYx register). Writing in PWM\_CDTYx Register is possible while the channel is disabled. After validation of the channel, the user must use PWM\_CUPDx Register to update PWM\_CDTYx as explained below.
- Configuration of the output waveform polarity for each channel (CPOL in the PWM\_CMRx register)
- Enable Interrupts (Writing CHIDx in the PWM\_IER register)
- Enable the PWM channel (Writing CHIDx in the PWM\_ENA register)

It is possible to synchronize different channels by enabling them at the same time by means of writing simultaneously several CHIDx bits in the PWM\_ENA register.

- In such a situation, all channels may have the same clock selector configuration and the same period specified.

#### 34.5.3.2 Source Clock Selection Criteria

The large number of source clocks can make selection difficult. The relationship between the value in the Period Register (PWM\_CPRDx) and the Duty Cycle Register (PWM\_CDTYx) can help the user in choosing. The event number written in the Period Register gives the PWM accuracy. The Duty Cycle quantum cannot be lower than  $1/PWM\_CPRDx$  value. The higher the value of PWM\_CPRDx, the greater the PWM accuracy.

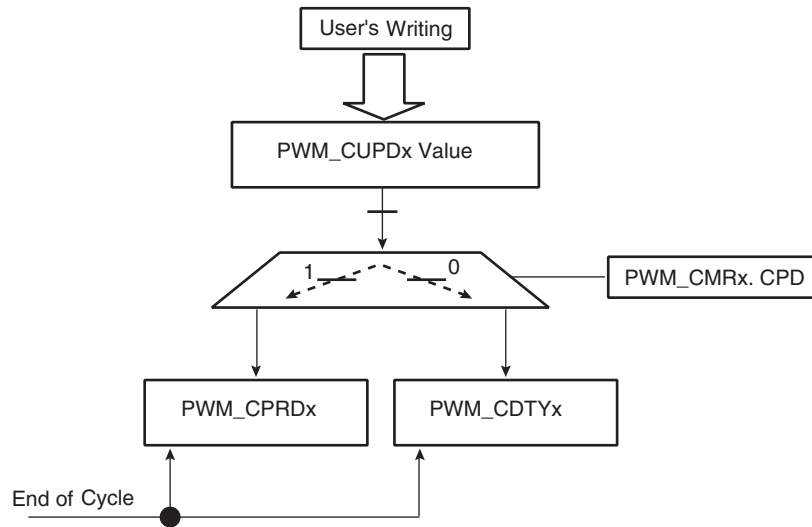
For example, if the user sets 15 (in decimal) in PWM\_CPRDx, the user is able to set a value between 1 up to 14 in PWM\_CDTYx Register. The resulting duty cycle quantum cannot be lower than 1/15 of the PWM period.

#### 34.5.3.3 Changing the Duty Cycle or the Period

It is possible to modulate the output waveform duty cycle or period.

To prevent an unexpected output waveform when modifying the waveform parameters while the channel is still enabled, PWM\_CPRDx and PWM\_CDTYx registers are double buffered. The user can write a new period value or duty cycle value in the update register (PWM\_CUPDx). This register holds the new value until the end of the current cycle and updates the value for the next cycle. According to the CPD field in the PWM\_CMRx register, PWM\_CUPDx either updates the PWM\_CPRDx or PWM\_CDTYx.

**Figure 34-6.** Synchronized Period or Duty Cycle Update



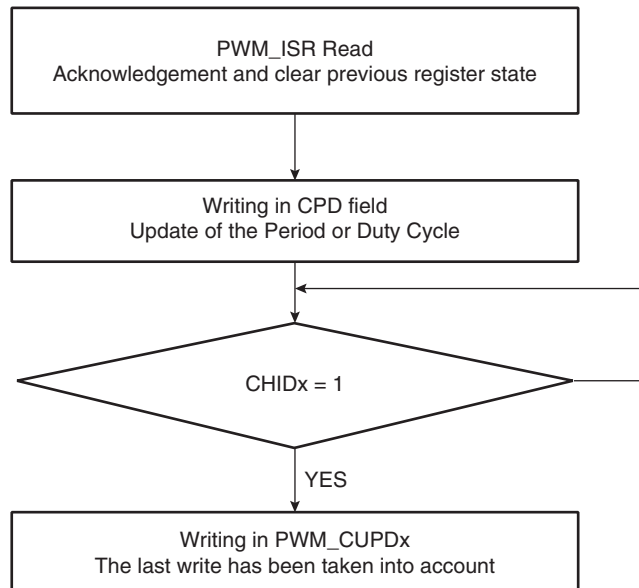
To prevent overwriting the PWM\_CUPDx by software, the user can use status events in order to synchronize his software. Two methods are possible. In both, the user must enable the dedicated interrupt in PWM\_IER at PWM Controller level.

The first method (polling method) consists of reading the relevant status bit in PWM\_ISR Register according to the enabled channel(s). See [Figure 34-7](#).

The second method uses an Interrupt Service Routine associated with the PWM channel.

Note: Reading the PWM\_ISR register automatically clears CHIDx flags.

**Figure 34-7.** Polling Method



Note: Polarity and alignment can be modified only when the channel is disabled.



#### 34.5.3.4 *Interrupts*

Depending on the interrupt mask in the PWM\_IMR register, an interrupt is generated at the end of the corresponding channel period. The interrupt remains active until a read operation in the PWM\_ISR register occurs.

A channel interrupt is enabled by setting the corresponding bit in the PWM\_IER register. A channel interrupt is disabled by setting the corresponding bit in the PWM\_IDR register.



## 34.6 Pulse Width Modulation Controller (PWM) User Interface

**Table 34-2.** Pulse Width Modulation Controller (PWM) Register Mapping

| Offset        | Register                       | Name      | Access     | Peripheral Reset Value |
|---------------|--------------------------------|-----------|------------|------------------------|
| 0x00          | PWM Mode Register              | PWM_MR    | Read/Write | 0                      |
| 0x04          | PWM Enable Register            | PWM_ENA   | Write-only | -                      |
| 0x08          | PWM Disable Register           | PWM_DIS   | Write-only | -                      |
| 0x0C          | PWM Status Register            | PWM_SR    | Read-only  | 0                      |
| 0x10          | PWM Interrupt Enable Register  | PWM_IER   | Write-only | -                      |
| 0x14          | PWM Interrupt Disable Register | PWM_IDR   | Write-only | -                      |
| 0x18          | PWM Interrupt Mask Register    | PWM_IMR   | Read-only  | 0                      |
| 0x1C          | PWM Interrupt Status Register  | PWM_ISR   | Read-only  | 0                      |
| 0x4C - 0xFC   | Reserved                       | -         | -          | -                      |
| 0x100 - 0x1FC | Reserved                       |           |            |                        |
| 0x200         | Channel 0 Mode Register        | PWM_CMR0  | Read/Write | 0x0                    |
| 0x204         | Channel 0 Duty Cycle Register  | PWM_CDTY0 | Read/Write | 0x0                    |
| 0x208         | Channel 0 Period Register      | PWM_CPRD0 | Read/Write | 0x0                    |
| 0x20C         | Channel 0 Counter Register     | PWM_CCNT0 | Read-only  | 0x0                    |
| 0x210         | Channel 0 Update Register      | PWM_CUPD0 | Write-only | -                      |
| ...           | Reserved                       |           |            |                        |
| 0x220         | Channel 1 Mode Register        | PWM_CMR1  | Read/Write | 0x0                    |
| 0x224         | Channel 1 Duty Cycle Register  | PWM_CDTY1 | Read/Write | 0x0                    |
| 0x228         | Channel 1 Period Register      | PWM_CPRD1 | Read/Write | 0x0                    |
| 0x22C         | Channel 1 Counter Register     | PWM_CCNT1 | Read-only  | 0x0                    |
| 0x230         | Channel 1 Update Register      | PWM_CUPD1 | Write-only | -                      |
| ...           | ...                            | ...       | ...        | ...                    |



### 34.6.1 PWM Mode Register

Register Name: PWM\_MR

Access Type: Read/Write

|      |    |    |    |      |    |    |    |
|------|----|----|----|------|----|----|----|
| 31   | 30 | 29 | 28 | 27   | 26 | 25 | 24 |
| -    | -  | -  | -  | PREB |    |    |    |
| 23   | 22 | 21 | 20 | 19   | 18 | 17 | 16 |
| DIVB |    |    |    |      |    |    |    |
| 15   | 14 | 13 | 12 | 11   | 10 | 9  | 8  |
| -    | -  | -  | -  | PREA |    |    |    |
| 7    | 6  | 5  | 4  | 3    | 2  | 1  | 0  |
| DIVA |    |    |    |      |    |    |    |

• DIVA, DIVB: CLKA, CLKB Divide Factor

| DIVA, DIVB | CLKA, CLKB   |
|------------|--|
| 0          | CLKA, CLKB clock is turned off   |
| 1          | CLKA, CLKB clock is clock selected by PREA, PREB                               |
| 2-255      | CLKA, CLKB clock is clock selected by PREA, PREB divided by DIVA, DIVB factor. |

• PREA, PREB

| PREA, PREB |   |   |   | Divider Input Clock |
|------------|---|---|---|---------------------|
| 0          | 0 | 0 | 0 | MCK.                |
| 0          | 0 | 0 | 1 | MCK/2               |
| 0          | 0 | 1 | 0 | MCK/4               |
| 0          | 0 | 1 | 1 | MCK/8               |
| 0          | 1 | 0 | 0 | MCK/16              |
| 0          | 1 | 0 | 1 | MCK/32              |
| 0          | 1 | 1 | 0 | MCK/64              |
| 0          | 1 | 1 | 1 | MCK/128             |
| 1          | 0 | 0 | 0 | MCK/256             |
| 1          | 0 | 0 | 1 | MCK/512             |
| 1          | 0 | 1 | 0 | MCK/1024            |
| Other      |   |   |   | Reserved            |



## 34.6.2 PWM Enable Register

**Register Name:** PWM\_ENA

**Access Type:** Write-only

|    |    |    |    |       |       |       |       |
|----|----|----|----|-------|-------|-------|-------|
| 31 | 30 | 29 | 28 | 27    | 26    | 25    | 24    |
| –  | –  | –  | –  | –     | –     | –     | –     |
| 23 | 22 | 21 | 20 | 19    | 18    | 17    | 16    |
| –  | –  | –  | –  | –     | –     | –     | –     |
| 15 | 14 | 13 | 12 | 11    | 10    | 9     | 8     |
| –  | –  | –  | –  | –     | –     | –     | –     |
| 7  | 6  | 5  | 4  | 3     | 2     | 1     | 0     |
| –  | –  | –  | –  | CHID3 | CHID2 | CHID1 | CHID0 |

- **CHIDx: Channel ID**

0 = No effect.

1 = Enable PWM output for channel x.

## 34.6.3 PWM Disable Register

**Register Name:** PWM\_DIS

**Access Type:** Write-only

|    |    |    |    |       |       |       |       |
|----|----|----|----|-------|-------|-------|-------|
| 31 | 30 | 29 | 28 | 27    | 26    | 25    | 24    |
| –  | –  | –  | –  | –     | –     | –     | –     |
| 23 | 22 | 21 | 20 | 19    | 18    | 17    | 16    |
| –  | –  | –  | –  | –     | –     | –     | –     |
| 15 | 14 | 13 | 12 | 11    | 10    | 9     | 8     |
| –  | –  | –  | –  | –     | –     | –     | –     |
| 7  | 6  | 5  | 4  | 3     | 2     | 1     | 0     |
| –  | –  | –  | –  | CHID3 | CHID2 | CHID1 | CHID0 |

- **CHIDx: Channel ID**

0 = No effect.

1 = Disable PWM output for channel x.

### 34.6.4 PWM Status Register

**Register Name:** PWM\_SR

**Access Type:** Read-only

|    |    |    |    |       |       |       |       |
|----|----|----|----|-------|-------|-------|-------|
| 31 | 30 | 29 | 28 | 27    | 26    | 25    | 24    |
| –  | –  | –  | –  | –     | –     | –     | –     |
| 23 | 22 | 21 | 20 | 19    | 18    | 17    | 16    |
| –  | –  | –  | –  | –     | –     | –     | –     |
| 15 | 14 | 13 | 12 | 11    | 10    | 9     | 8     |
| –  | –  | –  | –  | –     | –     | –     | –     |
| 7  | 6  | 5  | 4  | 3     | 2     | 1     | 0     |
| –  | –  | –  | –  | CHID3 | CHID2 | CHID1 | CHID0 |

• **CHIDx: Channel ID**

0 = PWM output for channel x is disabled.

1 = PWM output for channel x is enabled.

### 34.6.5 PWM Interrupt Enable Register

**Register Name:** PWM\_IER

**Access Type:** Write-only

|    |    |    |    |       |       |       |       |
|----|----|----|----|-------|-------|-------|-------|
| 31 | 30 | 29 | 28 | 27    | 26    | 25    | 24    |
| –  | –  | –  | –  | –     | –     | –     | –     |
| 23 | 22 | 21 | 20 | 19    | 18    | 17    | 16    |
| –  | –  | –  | –  | –     | –     | –     | –     |
| 15 | 14 | 13 | 12 | 11    | 10    | 9     | 8     |
| –  | –  | –  | –  | –     | –     | –     | –     |
| 7  | 6  | 5  | 4  | 3     | 2     | 1     | 0     |
| –  | –  | –  | –  | CHID3 | CHID2 | CHID1 | CHID0 |

• **CHIDx: Channel ID.**

0 = No effect.

1 = Enable interrupt for PWM channel x.

## 34.6.6 PWM Interrupt Disable Register

**Register Name:** PWM\_IDR

**Access Type:** Write-only

|    |    |    |    |       |       |       |       |
|----|----|----|----|-------|-------|-------|-------|
| 31 | 30 | 29 | 28 | 27    | 26    | 25    | 24    |
| –  | –  | –  | –  | –     | –     | –     | –     |
| 23 | 22 | 21 | 20 | 19    | 18    | 17    | 16    |
| –  | –  | –  | –  | –     | –     | –     | –     |
| 15 | 14 | 13 | 12 | 11    | 10    | 9     | 8     |
| –  | –  | –  | –  | –     | –     | –     | –     |
| 7  | 6  | 5  | 4  | 3     | 2     | 1     | 0     |
| –  | –  | –  | –  | CHID3 | CHID2 | CHID1 | CHID0 |

- **CHIDx: Channel ID.**

0 = No effect.

1 = Disable interrupt for PWM channel x.

### 34.6.7 PWM Interrupt Mask Register

**Register Name:** PWM\_IMR

**Access Type:** Read-only

|    |    |    |    |       |       |       |       |
|----|----|----|----|-------|-------|-------|-------|
| 31 | 30 | 29 | 28 | 27    | 26    | 25    | 24    |
| –  | –  | –  | –  | –     | –     | –     | –     |
| 23 | 22 | 21 | 20 | 19    | 18    | 17    | 16    |
| –  | –  | –  | –  | –     | –     | –     | –     |
| 15 | 14 | 13 | 12 | 11    | 10    | 9     | 8     |
| –  | –  | –  | –  | –     | –     | –     | –     |
| 7  | 6  | 5  | 4  | 3     | 2     | 1     | 0     |
| –  | –  | –  | –  | CHID3 | CHID2 | CHID1 | CHID0 |

- **CHIDx: Channel ID.**

0 = Interrupt for PWM channel x is disabled.

1 = Interrupt for PWM channel x is enabled.

### 34.6.8 PWM Interrupt Status Register

**Register Name:** PWM\_ISR

**Access Type:** Read-only

|    |    |    |    |       |       |       |       |
|----|----|----|----|-------|-------|-------|-------|
| 31 | 30 | 29 | 28 | 27    | 26    | 25    | 24    |
| –  | –  | –  | –  | –     | –     | –     | –     |
| 23 | 22 | 21 | 20 | 19    | 18    | 17    | 16    |
| –  | –  | –  | –  | –     | –     | –     | –     |
| 15 | 14 | 13 | 12 | 11    | 10    | 9     | 8     |
| –  | –  | –  | –  | –     | –     | –     | –     |
| 7  | 6  | 5  | 4  | 3     | 2     | 1     | 0     |
| –  | –  | –  | –  | CHID3 | CHID2 | CHID1 | CHID0 |

- **CHIDx: Channel ID**

0 = No new channel period has been achieved since the last read of the PWM\_ISR register.

1 = At least one new channel period has been achieved since the last read of the PWM\_ISR register.

Note: Reading PWM\_ISR automatically clears CHIDx flags.

## 34.6.9 PWM Channel Mode Register

**Register Name:** PWM\_CMRx

**Access Type:** Read/Write

|    |    |    |    |      |     |      |      |  |
|----|----|----|----|------|-----|------|------|--|
| 31 | 30 | 29 | 28 | 27   | 26  | 25   | 24   |  |
| –  | –  | –  | –  | –    | –   | –    | –    |  |
| 23 | 22 | 21 | 20 | 19   | 18  | 17   | 16   |  |
| –  | –  | –  | –  | –    | –   | –    | –    |  |
| 15 | 14 | 13 | 12 | 11   | 10  | 9    | 8    |  |
| –  | –  | –  | –  | –    | CPD | CPOL | CALG |  |
| 7  | 6  | 5  | 4  | 3    | 2   | 1    | 0    |  |
| –  | –  | –  | –  | CPRE |     |      |      |  |

- **CPRE: Channel Pre-scaler**

| CPRE  |   |   |   | Channel Pre-scaler |
|-------|---|---|---|--------------------|
| 0     | 0 | 0 | 0 | MCK                |
| 0     | 0 | 0 | 1 | MCK/2              |
| 0     | 0 | 1 | 0 | MCK/4              |
| 0     | 0 | 1 | 1 | MCK/8              |
| 0     | 1 | 0 | 0 | MCK/16             |
| 0     | 1 | 0 | 1 | MCK/32             |
| 0     | 1 | 1 | 0 | MCK/64             |
| 0     | 1 | 1 | 1 | MCK/128            |
| 1     | 0 | 0 | 0 | MCK/256            |
| 1     | 0 | 0 | 1 | MCK/512            |
| 1     | 0 | 1 | 0 | MCK/1024           |
| 1     | 0 | 1 | 1 | CLKA               |
| 1     | 1 | 0 | 0 | CLKB               |
| Other |   |   |   | Reserved           |

- **CALG: Channel Alignment**

0 = The period is left aligned.

1 = The period is center aligned.

- **CPOL: Channel Polarity**

0 = The output waveform starts at a low level.

1 = The output waveform starts at a high level.

- **CPD: Channel Update Period**

0 = Writing to the PWM\_CUPDx will modify the duty cycle at the next period start event.

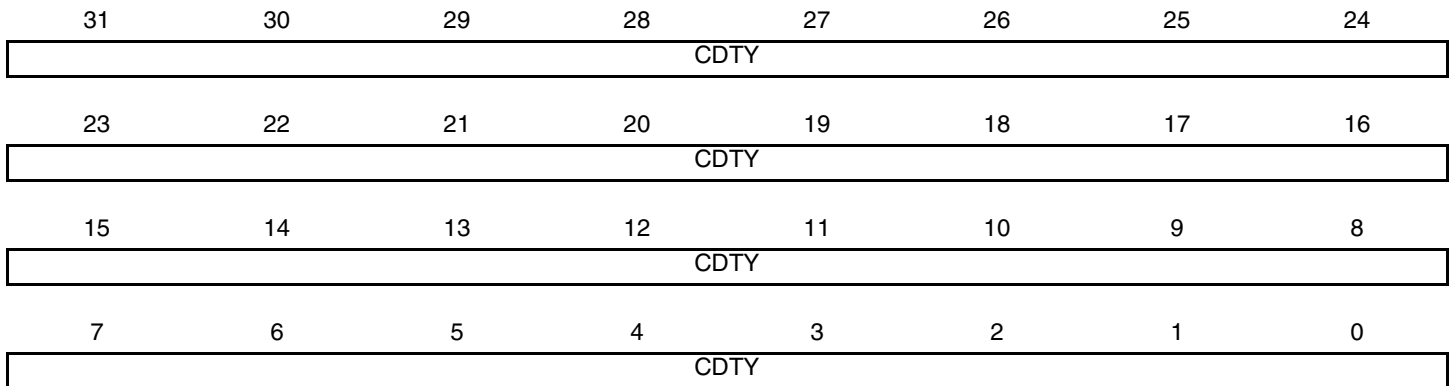
1 = Writing to the PWM\_CUPDx will modify the period at the next period start event.



### 34.6.10 PWM Channel Duty Cycle Register

**Register Name:** PWM\_CDTYx

**Access Type:** Read/Write



Only the first 16 bits (internal channel counter size) are significant.

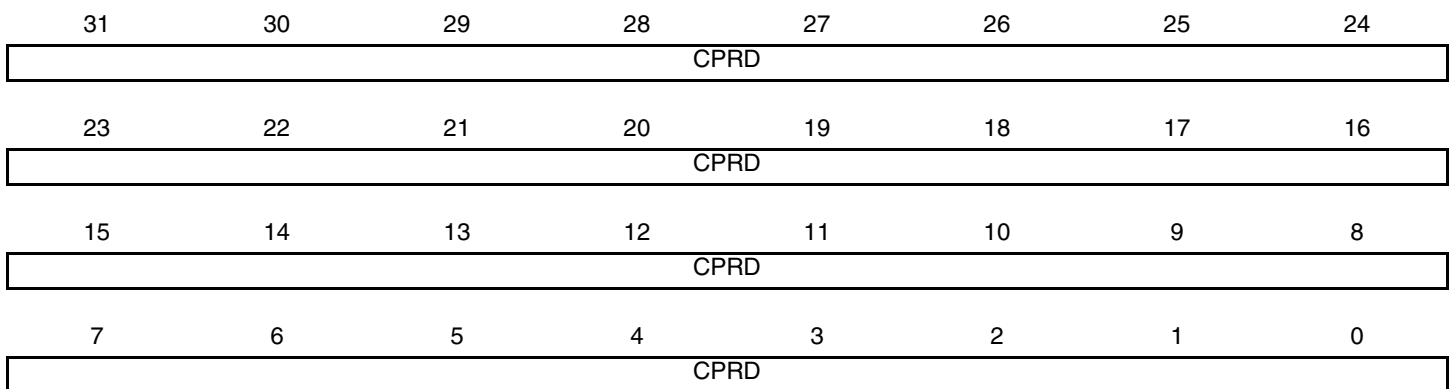
- **CDTY: Channel Duty Cycle**

Defines the waveform duty cycle. This value must be defined between 0 and CPRD (PWM\_CPRx).

### 34.6.11 PWM Channel Period Register

**Register Name:** PWM\_CPRDx

**Access Type:** Read/Write



Only the first 16 bits (internal channel counter size) are significant.

- **CPRD: Channel Period**

If the waveform is left-aligned, then the output waveform period depends on the counter source clock and can be calculated:

- By using the Master Clock (MCK) divided by an X given prescaler value (with X being 1, 2, 4, 8, 16, 32, 64, 128, 256, 512, or 1024). The resulting period formula will be:

$$\frac{(X \times CPRD)}{MCK}$$

- By using a Master Clock divided by one of both DIVA or DIVB divider, the formula becomes, respectively:

$$\frac{(CRPD \times DIVA)}{MCK} \text{ or } \frac{(CRPD \times DIVB)}{MCK}$$

If the waveform is center-aligned, then the output waveform period depends on the counter source clock and can be calculated:

- By using the Master Clock (MCK) divided by an X given prescaler value (with X being 1, 2, 4, 8, 16, 32, 64, 128, 256, 512, or 1024). The resulting period formula will be:

$$\frac{(2 \times X \times CPRD)}{MCK}$$

- By using a Master Clock divided by one of both DIVA or DIVB divider, the formula becomes, respectively:

$$\frac{(2 \times CPRD \times DIVA)}{MCK} \text{ or } \frac{(2 \times CPRD \times DIVB)}{MCK}$$

### 34.6.12 PWM Channel Counter Register

**Register Name:** PWM\_CCNTx

**Access Type:** Read-only

|     |    |    |    |    |    |    |    |
|-----|----|----|----|----|----|----|----|
| 31  | 30 | 29 | 28 | 27 | 26 | 25 | 24 |
| CNT |    |    |    |    |    |    |    |
| 23  | 22 | 21 | 20 | 19 | 18 | 17 | 16 |
| CNT |    |    |    |    |    |    |    |
| 15  | 14 | 13 | 12 | 11 | 10 | 9  | 8  |
| CNT |    |    |    |    |    |    |    |
| 7   | 6  | 5  | 4  | 3  | 2  | 1  | 0  |
| CNT |    |    |    |    |    |    |    |

• **CNT: Channel Counter Register**

Internal counter value. This register is reset when:

- the channel is enabled (writing CHIDx in the PWM\_ENA register).
- the counter reaches CPRD value defined in the PWM\_CPRDx register if the waveform is left aligned.

### 34.6.13 PWM Channel Update Register

**Register Name:** PWM\_CUPDx

**Access Type:** Write-only

|      |    |    |    |    |    |    |    |
|------|----|----|----|----|----|----|----|
| 31   | 30 | 29 | 28 | 27 | 26 | 25 | 24 |
| CUPD |    |    |    |    |    |    |    |
| 23   | 22 | 21 | 20 | 19 | 18 | 17 | 16 |
| CUPD |    |    |    |    |    |    |    |
| 15   | 14 | 13 | 12 | 11 | 10 | 9  | 8  |
| CUPD |    |    |    |    |    |    |    |
| 7    | 6  | 5  | 4  | 3  | 2  | 1  | 0  |
| CUPD |    |    |    |    |    |    |    |

This register acts as a double buffer for the period or the duty cycle. This prevents an unexpected waveform when modifying the waveform period or duty-cycle.

Only the first 16 bits (internal channel counter size) are significant.

| CPD (PWM_CMRx Register) |  |
|-------------------------|--|
| 0                       | The duty-cycle (CDTC in the PWM_CDRx register) is updated with the CUPD value at the beginning of the next period. |
| 1                       | The period (CPRD in the PWM_CPRx register) is updated with the CUPD value at the beginning of the next period.     |



## 35. USB Device Port (UDP)

### 35.1 Description

The USB Device Port (UDP) is compliant with the Universal Serial Bus (USB) V2.0 full-speed device specification.

Each endpoint can be configured in one of several USB transfer types. It can be associated with one or two banks of a dual-port RAM used to store the current data payload. If two banks are used, one DPR bank is read or written by the processor, while the other is read or written by the USB device peripheral. This feature is mandatory for isochronous endpoints. Thus the device maintains the maximum bandwidth (1M bytes/s) by working with endpoints with two banks of DPR.

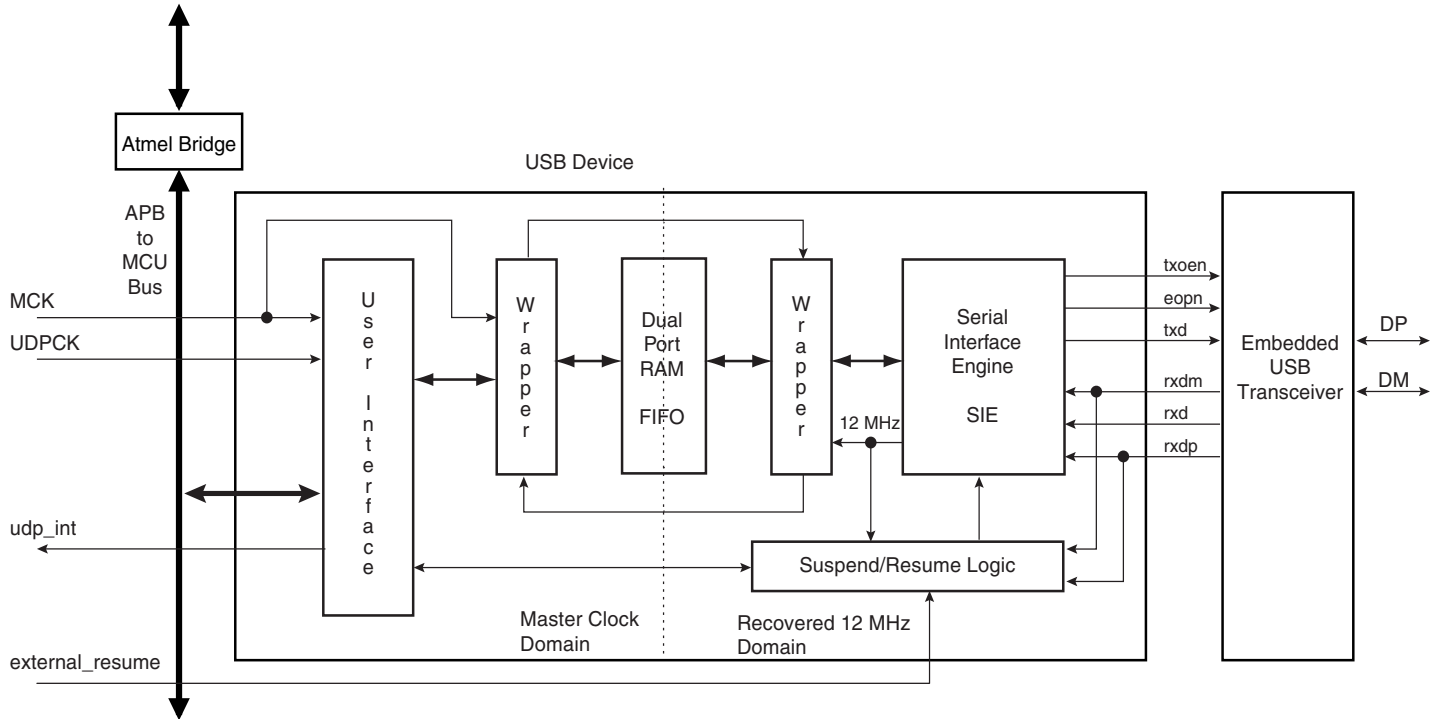
**Table 35-1.** USB Endpoint Description

| Endpoint Number | Mnemonic | Dual-Bank | Max. Endpoint Size | Endpoint Type          |
|-----------------|----------|-----------|--------------------|------------------------|
| 0               | EP0      | No        | 8                  | Control/Bulk/Interrupt |
| 1               | EP1      | Yes       | 64                 | Bulk/Iso/Interrupt     |
| 3               | EP2      | Yes       | 64                 | Bulk/Iso/Interrupt     |
| 3               | EP3      | No        | 64                 | Control/Bulk/Interrupt |
| 4               | EP4      | Yes       | 256                | Bulk/Iso/Interrupt     |
| 5               | EP5      | Yes       | 256                | Bulk/Iso/Interrupt     |

Suspend and resume are automatically detected by the USB device, which notifies the processor by raising an interrupt. Depending on the product, an external signal can be used to send a wake-up to the USB host controller.

## 35.2 Block Diagram

Figure 35-1. Block Diagram



Access to the UDP is via the APB bus interface. Read and write to the data FIFO are done by reading and writing 8-bit values to APB registers.

The UDP peripheral requires two clocks: one peripheral clock used by the MCK domain and a 48 MHz clock used by the 12 MHz domain.

A USB 2.0 full-speed pad is embedded and controlled by the Serial Interface Engine (SIE).

The signal `external_resume` is optional. It allows the UDP peripheral to wake-up once in system mode. The host is then notified that the device asks for a resume. This optional feature must be also negotiated with the host during the enumeration.

## 35.3 Product Dependencies

For further details on the USB Device hardware implementation, see the specific Product Properties document.

The USB physical transceiver is integrated into the product. The bidirectional differential signals DP and DM are available from the product boundary.

Two I/O lines may be used by the application:

- One to check that VBUS is still available from the host. Self-powered devices may use this entry to be notified that the host has been powered off. In this case, the board pull-up on DP must be disabled in order to prevent feeding current to the host.
- One to control the board pull-up on DP. Thus, when the device is ready to communicate with the host, it activates its DP pull-up through this control line.

## 35.3.1 I/O Lines

DP and DM are not controlled by any PIO controllers. The embedded USB physical transceiver is controlled by the USB device peripheral.

To reserve an I/O line to check VBUS, the programmer must first program the PIO controller to assign this I/O in input PIO mode.

To reserve an I/O line to control the board pull-up, the programmer must first program the PIO controller to assign this I/O in output PIO mode.

## 35.3.2 Power Management

The USB device peripheral requires a 48 MHz clock. This clock must be generated by a PLL with an accuracy of  $\pm 0.25\%$ .

Thus, the USB device receives two clocks from the Power Management Controller (PMC): the master clock, MCK, used to drive the peripheral user interface, and the UDPCK, used to interface with the bus USB signals (recovered 12 MHz domain).

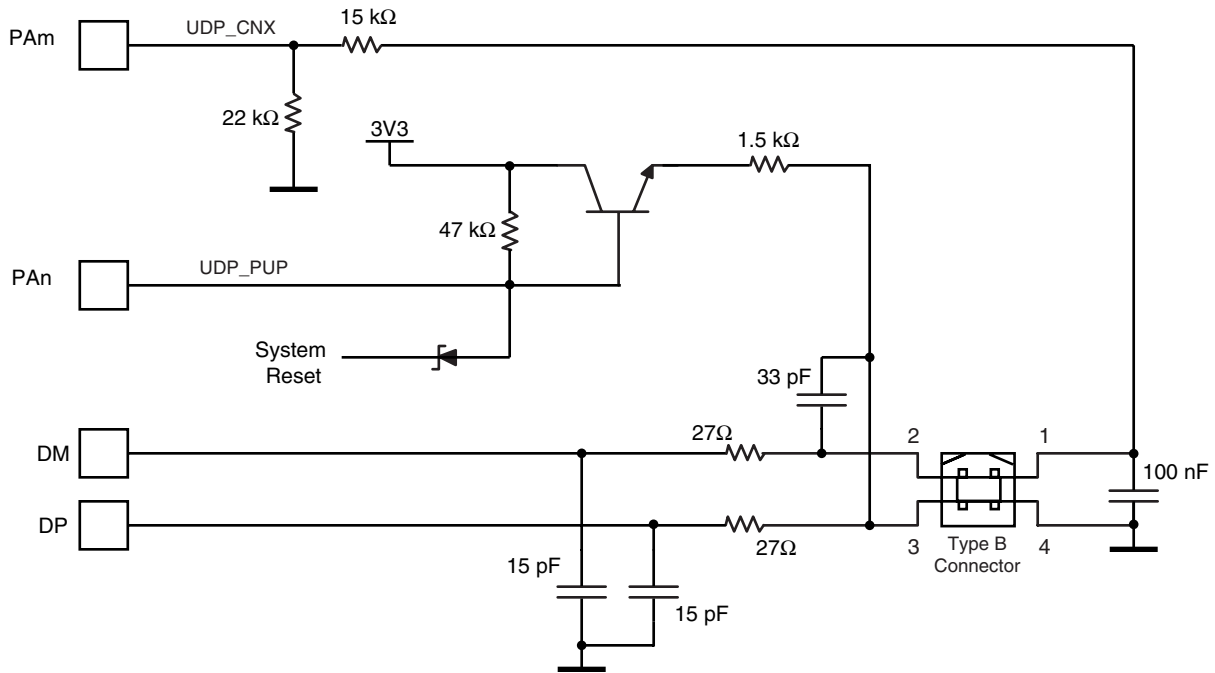
## 35.3.3 Interrupt

The USB device interface has an interrupt line connected to the Advanced Interrupt Controller (AIC).

Handling the USB device interrupt requires programming the AIC before configuring the UDP.

### 35.4 Typical Connection

**Figure 35-2.** Board Schematic to Interface USB Device Peripheral



UDP\_ CNX is an input signal used to check if the host is connected

UDP\_ PUP is an output signal used to disable pull-up on DP by driving it to 0.

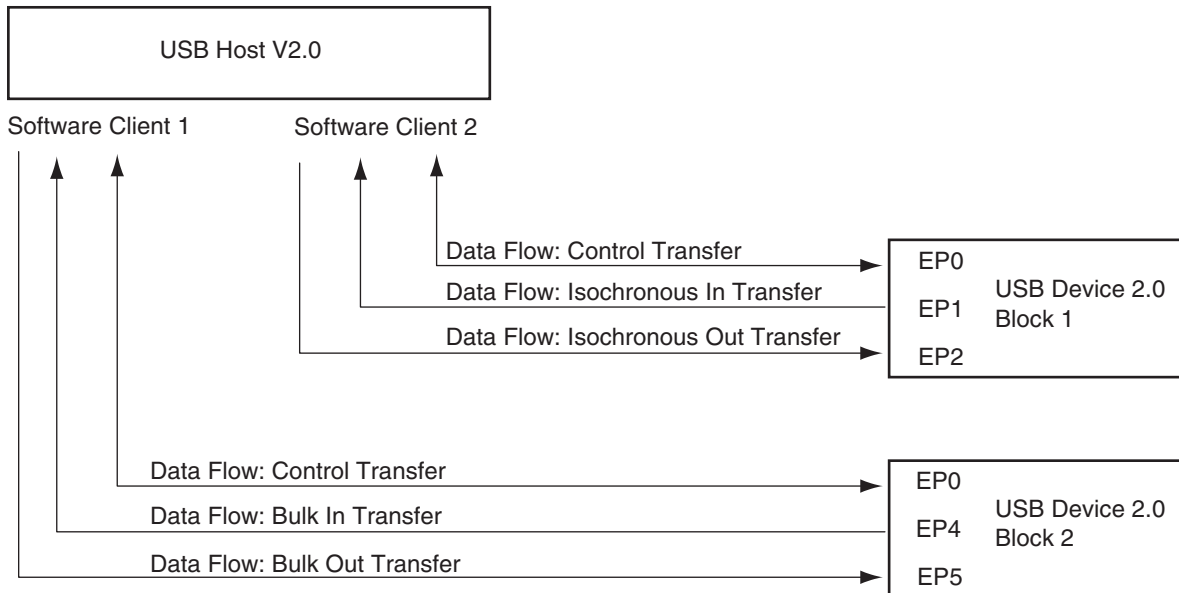
Figure 35-2 shows automatic activation of pull-up after reset.

## 35.5 Functional Description

### 35.5.1 USB V2.0 Full-speed Introduction

The USB V2.0 full-speed provides communication services between host and attached USB devices. Each device is offered with a collection of communication flows (pipes) associated with each endpoint. Software on the host communicates with an USB device through a set of communication flows.

**Figure 35-3.** Example of USB V2.0 Full-speed Communication Control



#### 35.5.1.1 USB V2.0 Full-speed Transfer Types

A communication flow is carried over one of four transfer types defined by the USB device.

**Table 35-2.** USB Communication Flow

| Transfer    | Direction      | Bandwidth      | Endpoint Size | Error Detection | Retrying  |
|-------------|----------------|----------------|---------------|-----------------|-----------|
| Control     | Bidirectional  | Not guaranteed | 8, 16, 32, 64 | Yes             | Automatic |
| Isochronous | Unidirectional | Guaranteed     | 1 - 1023      | Yes             | No        |
| Interrupt   | Unidirectional | Not guaranteed | ≤64           | Yes             | Yes       |
| Bulk        | Unidirectional | Not guaranteed | 8, 16, 32, 64 | Yes             | Yes       |

#### 35.5.1.2 USB Bus Transactions

Each transfer results in one or more transactions over the USB bus. There are five kinds of transactions flowing across the bus in packets:

1. Setup Transaction
2. Data IN Transaction
3. Data OUT Transaction
4. Status IN Transaction
5. Status OUT Transaction

### 35.5.1.3 USB Transfer Event Definitions

As indicated below, transfers are sequential events carried out on the USB bus.

**Table 35-3.** USB Transfer Events

|  |  |
|--|--|
| Control Transfers <sup>(1) (3)</sup>                         | <ul style="list-style-type: none"> <li>• Setup transaction &gt; Data IN transactions &gt; Status OUT transaction</li> <li>• Setup transaction &gt; Data OUT transactions &gt; Status IN transaction</li> <li>• Setup transaction &gt; Status IN transaction</li> </ul> |
| Interrupt IN Transfer (device toward host)                   | <ul style="list-style-type: none"> <li>• Data IN transaction &gt; Data IN transaction</li> </ul>   |
| Interrupt OUT Transfer (host toward device)                  | <ul style="list-style-type: none"> <li>• Data OUT transaction &gt; Data OUT transaction</li> </ul>   |
| Isochronous IN Transfer <sup>(2)</sup> (device toward host)  | <ul style="list-style-type: none"> <li>• Data IN transaction &gt; Data IN transaction</li> </ul>   |
| Isochronous OUT Transfer <sup>(2)</sup> (host toward device) | <ul style="list-style-type: none"> <li>• Data OUT transaction &gt; Data OUT transaction</li> </ul>   |
| Bulk IN Transfer (device toward host)                        | <ul style="list-style-type: none"> <li>• Data IN transaction &gt; Data IN transaction</li> </ul>   |
| Bulk OUT Transfer (host toward device)                       | <ul style="list-style-type: none"> <li>• Data OUT transaction &gt; Data OUT transaction</li> </ul>   |

Notes: 1. Control transfer must use endpoints with no ping-pong attributes.  
 2. Isochronous transfers must use endpoints with ping-pong attributes.  
 3. Control transfers can be aborted using a stall handshake.

## 35.5.2 Handling Transactions with USB V2.0 Device Peripheral

### 35.5.2.1 Setup Transaction

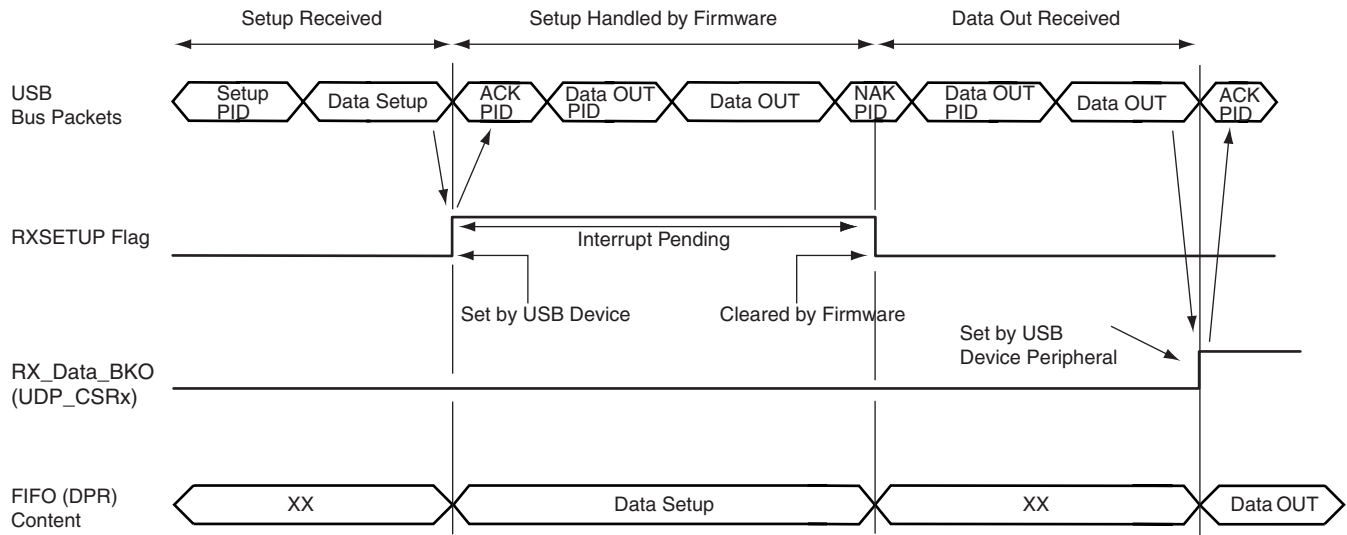
Setup is a special type of host-to-device transaction used during control transfers. Control transfers must be performed using endpoints with no ping-pong attributes. A setup transaction needs to be handled as soon as possible by the firmware. It is used to transmit requests from the host to the device. These requests are then handled by the USB device and may require more arguments. The arguments are sent to the device by a Data OUT transaction which follows the setup transaction. These requests may also return data. The data is carried out to the host by the next Data IN transaction which follows the setup transaction. A status transaction ends the control transfer.

When a setup transfer is received by the USB endpoint:

- The USB device automatically acknowledges the setup packet
- RXSETUP is set in the UDP\_CSRx register
- An endpoint interrupt is generated while the RXSETUP is not cleared. This interrupt is carried out to the microcontroller if interrupts are enabled for this endpoint.

Thus, firmware must detect the RXSETUP polling the UDP\_CSRx or catching an interrupt, read the setup packet in the FIFO, then clear the RXSETUP. RXSETUP cannot be cleared before the setup packet has been read in the FIFO. Otherwise, the USB device would accept the next Data OUT transfer and overwrite the setup packet in the FIFO.

**Figure 35-4.** Setup Transaction Followed by a Data OUT Transaction



### 35.5.2.2 Data IN Transaction

Data IN transactions are used in control, isochronous, bulk and interrupt transfers and conduct the transfer of data from the device to the host. Data IN transactions in isochronous transfer must be done using endpoints with ping-pong attributes.

### 35.5.2.3 Using Endpoints Without Ping-pong Attributes

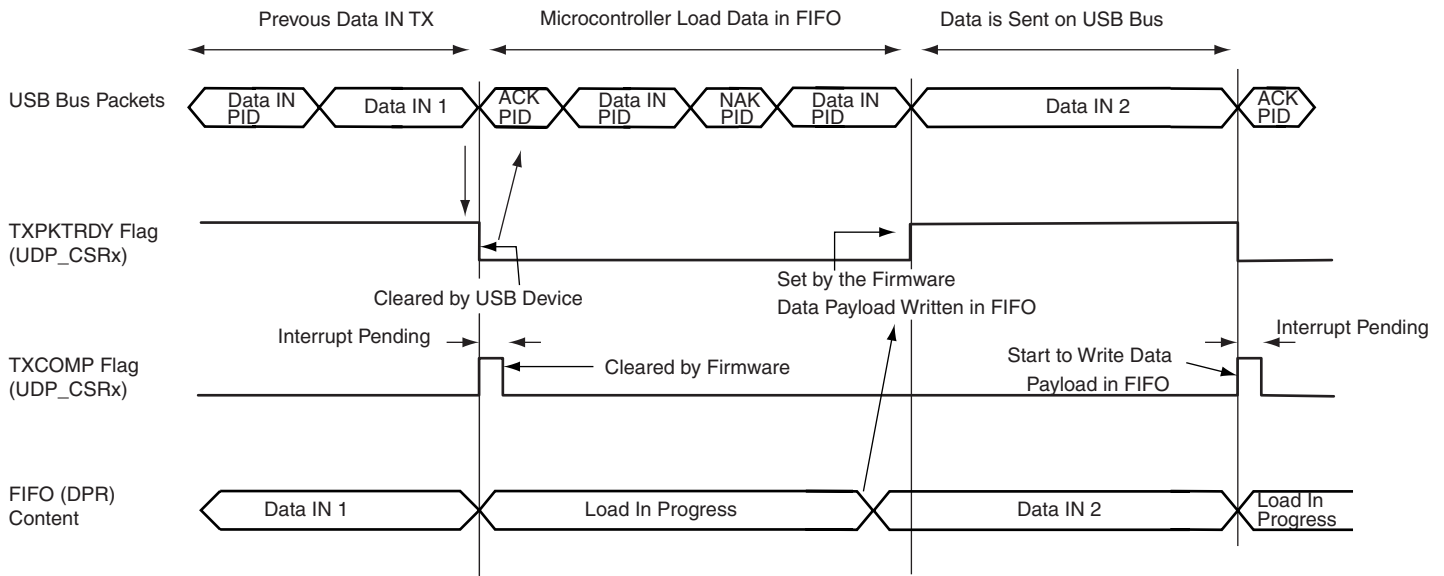
To perform a Data IN transaction using a non ping-pong endpoint:

1. The microcontroller checks if it is possible to write in the FIFO by polling TXPKTRDY in the endpoint's UDP\_CSRx register (TXPKTRDY must be cleared).
2. The microcontroller writes data to be sent in the endpoint's FIFO, writing zero or more byte values in the endpoint's UDP\_FDRx register,
3. The microcontroller notifies the USB peripheral it has finished by setting the TXPKTRDY in the endpoint's UDP\_CSRx register.
4. The microcontroller is notified that the endpoint's FIFO has been released by the USB device when TXCOMP in the endpoint's UDP\_CSRx register has been set. Then an interrupt for the corresponding endpoint is pending while TXCOMP is set.

TXCOMP is set by the USB device when it has received an ACK PID signal for the Data IN packet. An interrupt is pending while TXCOMP is set.

Note: Refer to Chapter 8 of the *Universal Serial Bus Specification, Rev 2.0*, for more information on the Data IN protocol layer.

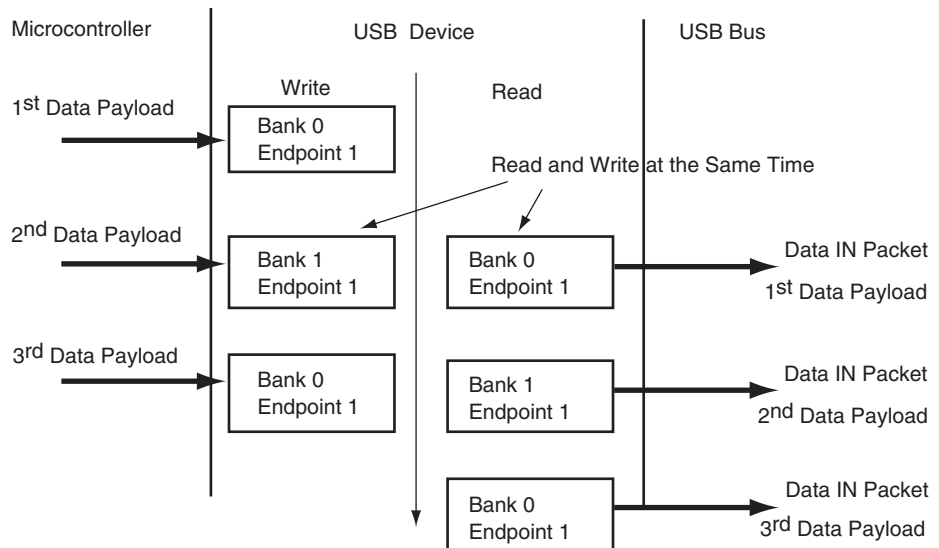
**Figure 35-5.** Data IN Transfer for Non Ping-pong Endpoint



#### 35.5.2.4 Using Endpoints With Ping-pong Attribute

The use of an endpoint with ping-pong attributes is necessary during isochronous transfer. To be able to guarantee a constant bandwidth, the microcontroller must prepare the next data payload to be sent while the current one is being sent by the USB device. Thus two banks of memory are used. While one is available for the microcontroller, the other one is locked by the USB device.

**Figure 35-6.** Bank Swapping Data IN Transfer for Ping-pong Endpoints

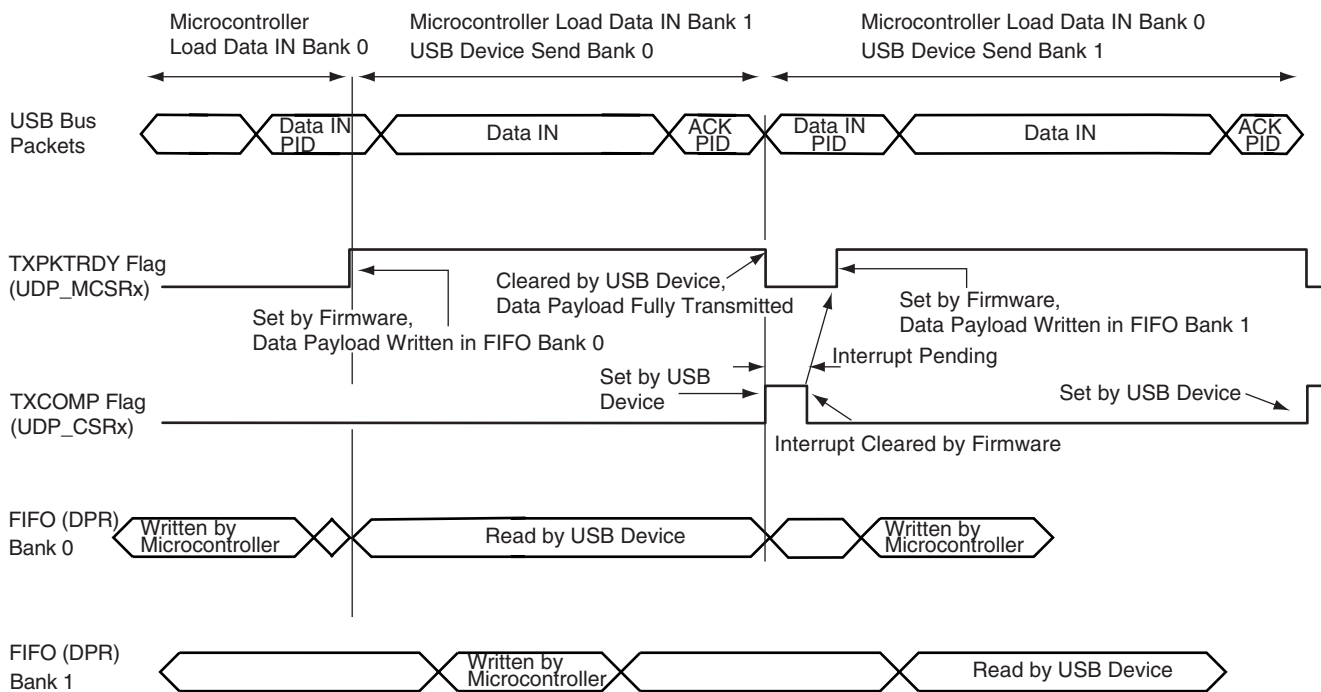


When using a ping-pong endpoint, the following procedures are required to perform Data IN transactions:



1. The microcontroller checks if it is possible to write in the FIFO by polling TXPKTRDY to be cleared in the endpoint's UDP\_CSRx register.
2. The microcontroller writes the first data payload to be sent in the FIFO (Bank 0), writing zero or more byte values in the endpoint's UDP\_FDRx register.
3. The microcontroller notifies the USB peripheral it has finished writing in Bank 0 of the FIFO by setting the TXPKTRDY in the endpoint's UDP\_CSRx register.
4. Without waiting for TXPKTRDY to be cleared, the microcontroller writes the second data payload to be sent in the FIFO (Bank 1), writing zero or more byte values in the endpoint's UDP\_FDRx register.
5. The microcontroller is notified that the first Bank has been released by the USB device when TXCOMP in the endpoint's UDP\_CSRx register is set. An interrupt is pending while TXCOMP is being set.
6. Once the microcontroller has received TXCOMP for the first Bank, it notifies the USB device that it has prepared the second Bank to be sent rising TXPKTRDY in the endpoint's UDP\_CSRx register.
7. At this step, Bank 0 is available and the microcontroller can prepare a third data payload to be sent.

**Figure 35-7.** Data IN Transfer for Ping-pong Endpoint



**Warning:** There is software critical path due to the fact that once the second bank is filled, the driver has to wait for TX\_COMP to set TX\_PKTRDY. If the delay between receiving TX\_COMP is set and TX\_PKTRDY is set is too long, some Data IN packets may be NACKed, reducing the bandwidth.

### 35.5.2.5 Data OUT Transaction

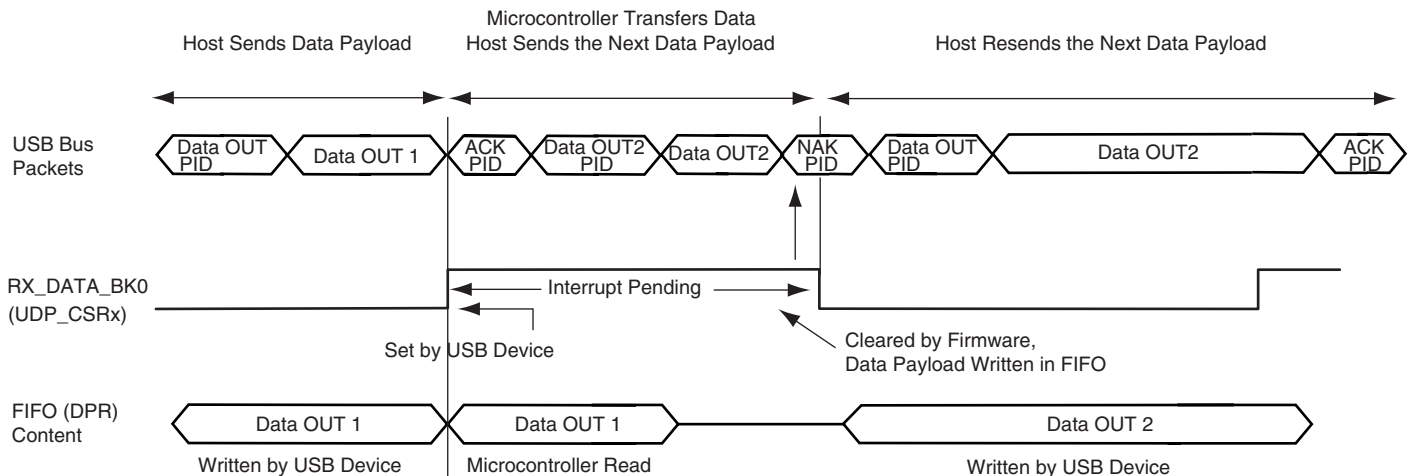
Data OUT transactions are used in control, isochronous, bulk and interrupt transfers and conduct the transfer of data from the host to the device. Data OUT transactions in isochronous transfers must be done using endpoints with ping-pong attributes.

### 35.5.2.6 Data OUT Transaction Without Ping-pong Attributes

To perform a Data OUT transaction, using a non ping-pong endpoint:

1. The host generates a Data OUT packet.
2. This packet is received by the USB device endpoint. While the FIFO associated to this endpoint is being used by the microcontroller, a NAK PID is returned to the host. Once the FIFO is available, data are written to the FIFO by the USB device and an ACK is automatically carried out to the host.
3. The microcontroller is notified that the USB device has received a data payload polling RX\_DATA\_BK0 in the endpoint's UDP\_CSRx register. An interrupt is pending for this endpoint while RX\_DATA\_BK0 is set.
4. The number of bytes available in the FIFO is made available by reading RXBYTECNT in the endpoint's UDP\_CSRx register.
5. The microcontroller carries out data received from the endpoint's memory to its memory. Data received is available by reading the endpoint's UDP\_FDRx register.
6. The microcontroller notifies the USB device that it has finished the transfer by clearing RX\_DATA\_BK0 in the endpoint's UDP\_CSRx register.
7. A new Data OUT packet can be accepted by the USB device.

**Figure 35-8.** Data OUT Transfer for Non Ping-pong Endpoints

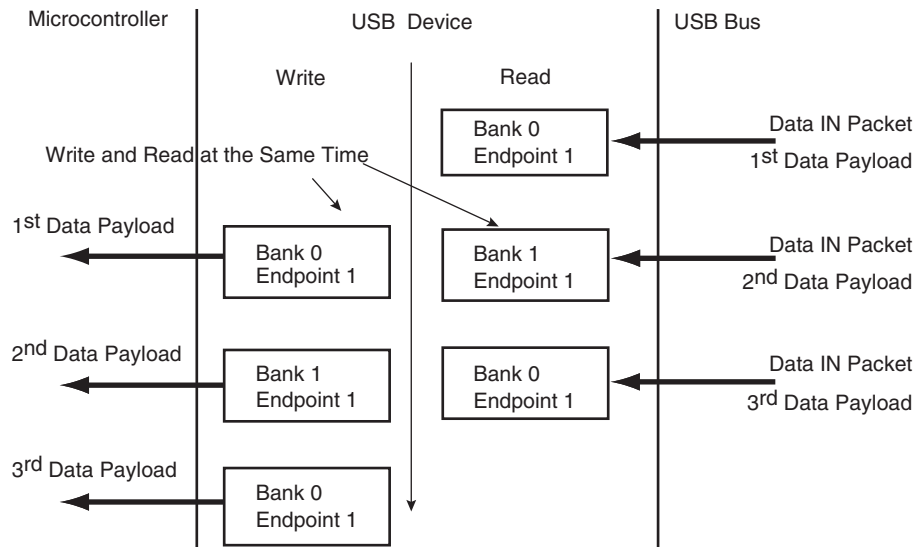


An interrupt is pending while the flag RX\_DATA\_BK0 is set. Memory transfer between the USB device, the FIFO and microcontroller memory can not be done after RX\_DATA\_BK0 has been cleared. Otherwise, the USB device would accept the next Data OUT transfer and overwrite the current Data OUT packet in the FIFO.

## 35.5.2.7 Using Endpoints With Ping-pong Attributes

During isochronous transfer, using an endpoint with ping-pong attributes is obligatory. To be able to guarantee a constant bandwidth, the microcontroller must read the previous data payload sent by the host, while the current data payload is received by the USB device. Thus two banks of memory are used. While one is available for the microcontroller, the other one is locked by the USB device.

**Figure 35-9.** Bank Swapping in Data OUT Transfers for Ping-pong Endpoints

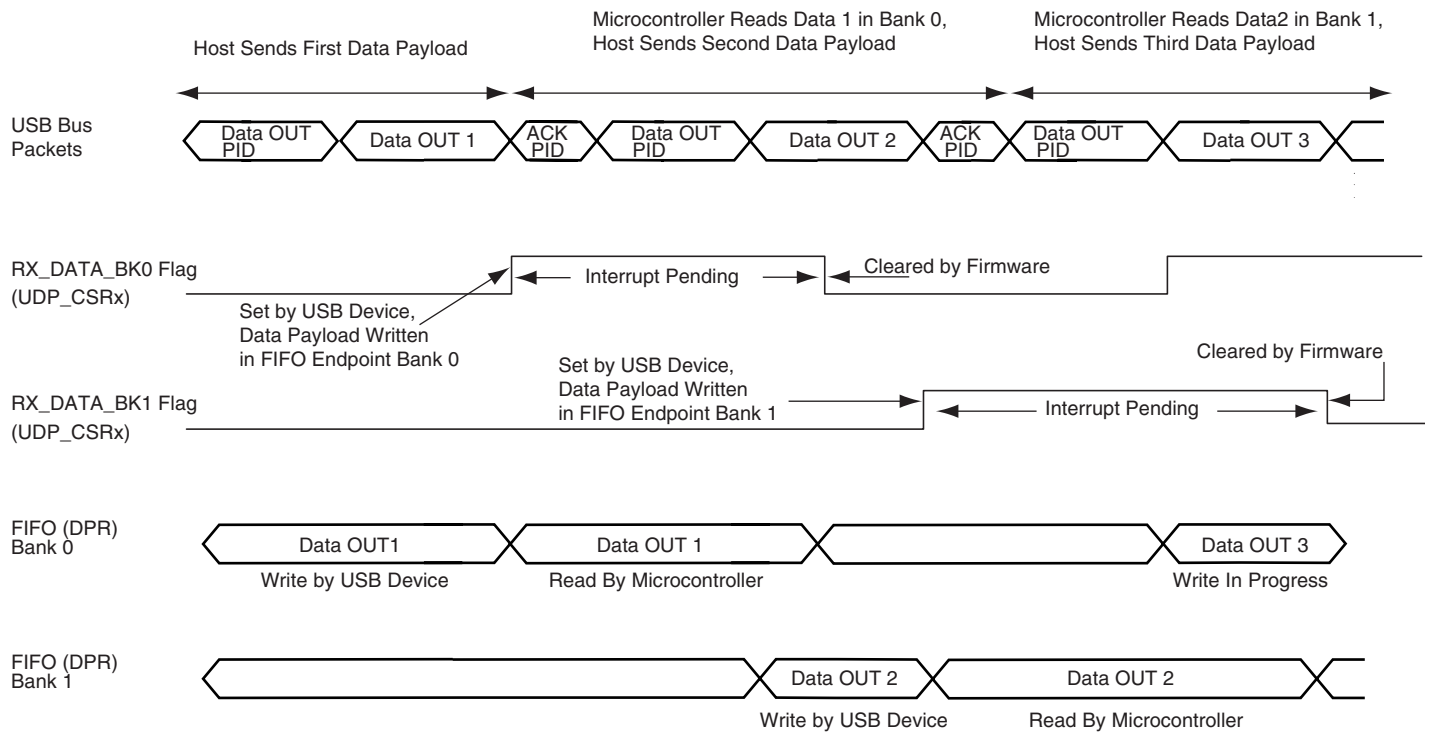


When using a ping-pong endpoint, the following procedures are required to perform Data OUT transactions:

1. The host generates a Data OUT packet.
2. This packet is received by the USB device endpoint. It is written in the endpoint's FIFO Bank 0.
3. The USB device sends an ACK PID packet to the host. The host can immediately send a second Data OUT packet. It is accepted by the device and copied to FIFO Bank 1.
4. The microcontroller is notified that the USB device has received a data payload, polling `RX_DATA_BK0` in the endpoint's `UDP_CSRx` register. An interrupt is pending for this endpoint while `RX_DATA_BK0` is set.
5. The number of bytes available in the FIFO is made available by reading `RXBYTECNT` in the endpoint's `UDP_CSRx` register.
6. The microcontroller transfers out data received from the endpoint's memory to the microcontroller's memory. Data received is made available by reading the endpoint's `UDP_FDRx` register.
7. The microcontroller notifies the USB peripheral device that it has finished the transfer by clearing `RX_DATA_BK0` in the endpoint's `UDP_CSRx` register.
8. A third Data OUT packet can be accepted by the USB peripheral device and copied in the FIFO Bank 0.
9. If a second Data OUT packet has been received, the microcontroller is notified by the flag `RX_DATA_BK1` set in the endpoint's `UDP_CSRx` register. An interrupt is pending for this endpoint while `RX_DATA_BK1` is set.

10. The microcontroller transfers out data received from the endpoint's memory to the microcontroller's memory. Data received is available by reading the endpoint's UDP\_FDRx register.
11. The microcontroller notifies the USB device it has finished the transfer by clearing RX\_DATA\_BK1 in the endpoint's UDP\_CSRx register.
12. A fourth Data OUT packet can be accepted by the USB device and copied in the FIFO Bank 0.

**Figure 35-10. Data OUT Transfer for Ping-pong Endpoint**



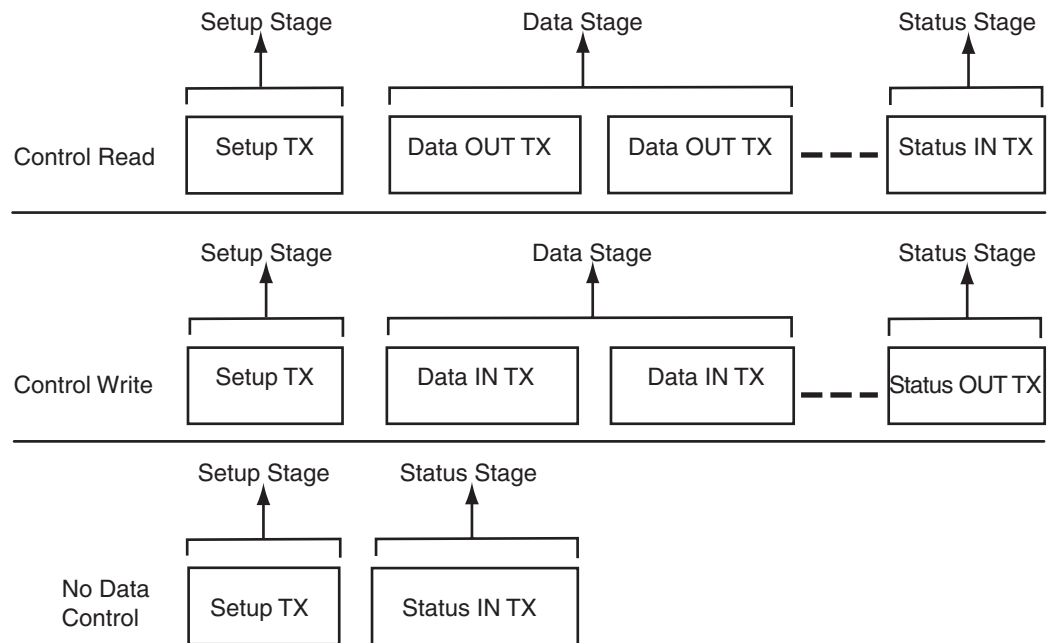
Note: An interrupt is pending while the RX\_DATA\_BK0 or RX\_DATA\_BK1 flag is set.

**Warning:** When RX\_DATA\_BK0 and RX\_DATA\_BK1 are both set, there is no way to determine which one to clear first. Thus the software must keep an internal counter to be sure to clear alternatively RX\_DATA\_BK0 then RX\_DATA\_BK1. This situation may occur when the software application is busy elsewhere and the two banks are filled by the USB host. Once the application comes back to the USB driver, the two flags are set.

### 35.5.2.8 Status Transaction

A status transaction is a special type of host-to-device transaction used only in a control transfer. The control transfer must be performed using endpoints with no ping-pong attributes. According to the control sequence (read or write), the USB device sends or receives a status transaction.

**Figure 35-11.** Control Read and Write Sequences



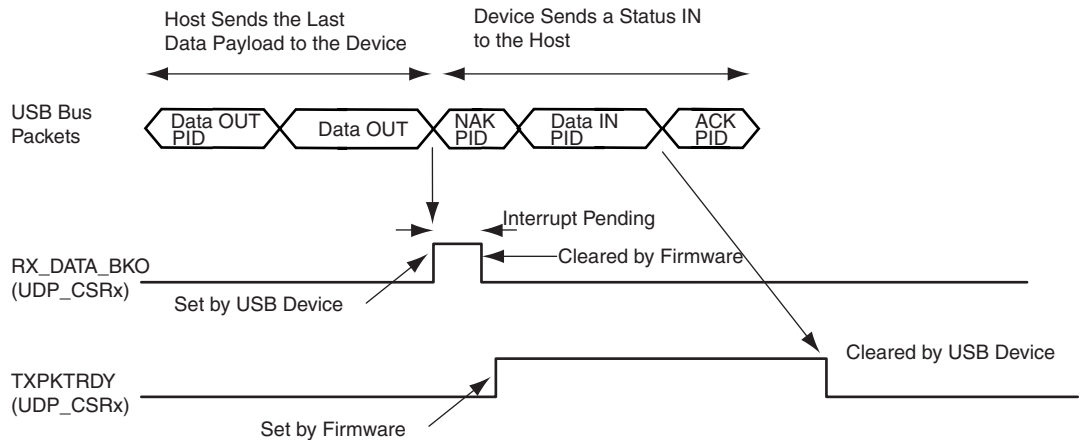
- Notes:
1. During the Status IN stage, the host waits for a zero length packet (Data IN transaction with no data) from the device using DATA1 PID. Refer to Chapter 8 of the *Universal Serial Bus Specification, Rev. 2.0*, for more information on the protocol layer.
  2. During the Status OUT stage, the host emits a zero length packet to the device (Data OUT transaction with no data).

### 35.5.2.9 Status IN Transfer

Once a control request has been processed, the device returns a status to the host. This is a zero length Data IN transaction.

1. The microcontroller waits for TXPKTRDY in the UDP\_ CSRx endpoint's register to be cleared. (At this step, TXPKTRDY must be cleared because the previous transaction was a setup transaction or a Data OUT transaction.)
2. Without writing anything to the UDP\_ FDRx endpoint's register, the microcontroller sets TXPKTRDY. The USB device generates a Data IN packet using DATA1 PID.
3. This packet is acknowledged by the host and TXPKTRDY is set in the UDP\_ CSRx endpoint's register.

**Figure 35-12.** Data Out Followed by Status IN Transfer.

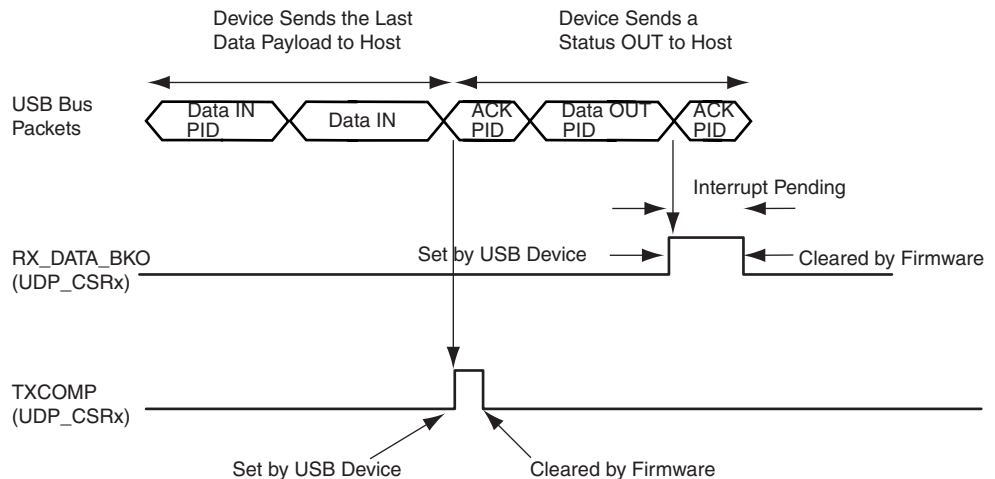


### 35.5.2.10 Status OUT Transfer

Once a control request has been processed and the requested data returned, the host acknowledges by sending a zero length packet. This is a zero length Data OUT transaction.

1. The USB device receives a zero length packet. It sets RX\_DATA\_BK0 flag in the UDP\_CSRx register and acknowledges the zero length packet.
2. The microcontroller is notified that the USB device has received a zero length packet sent by the host polling RX\_DATA\_BK0 in the UDP\_CSRx register. An interrupt is pending while RX\_DATA\_BK0 is set. The number of bytes received in the endpoint's UDP\_BCR register is equal to zero.
3. The microcontroller must clear RX\_DATA\_BK0.

**Figure 35-13.** Data IN Followed by Status OUT Transfer



### 35.5.2.11 Stall Handshake

A stall handshake can be used in one of two distinct occasions. (For more information on the stall handshake, refer to Chapter 8 of the *Universal Serial Bus Specification, Rev 2.0*.)

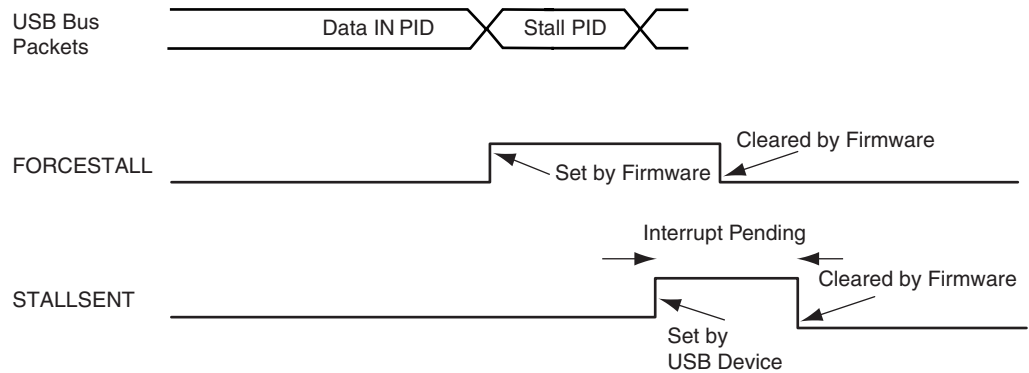
- A functional stall is used when the halt feature associated with the endpoint is set. (Refer to Chapter 9 of the *Universal Serial Bus Specification, Rev 2.0*, for more information on the halt feature.)
- To abort the current request, a protocol stall is used, but uniquely with control transfer.

The following procedure generates a stall packet:

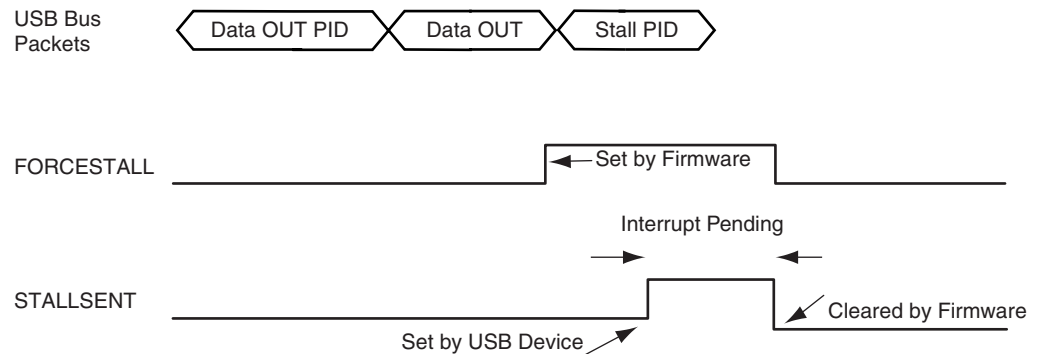
1. The microcontroller sets the FORCESTALL flag in the UDP\_CSRx endpoint's register.
2. The host receives the stall packet.
3. The microcontroller is notified that the device has sent the stall by polling the STALLSENT to be set. An endpoint interrupt is pending while STALLSENT is set. The microcontroller must clear STALLSENT to clear the interrupt.

When a setup transaction is received after a stall handshake, STALLSENT must be cleared in order to prevent interrupts due to STALLSENT being set.

**Figure 35-14. Stall Handshake (Data IN Transfer)**



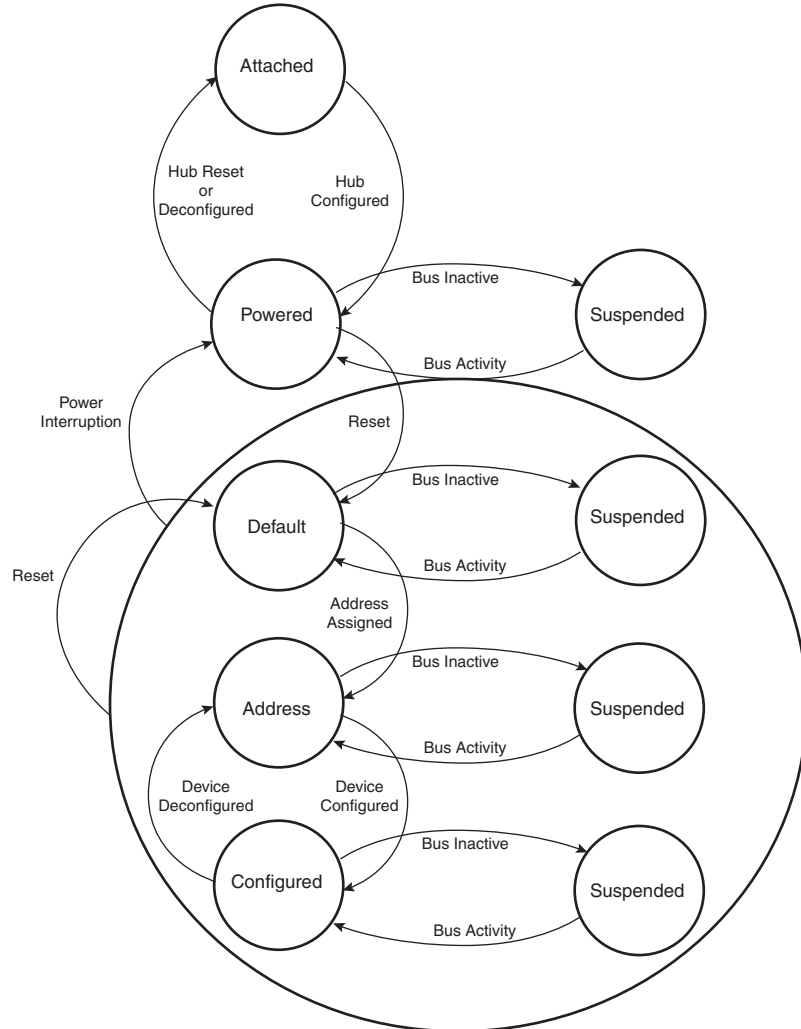
**Figure 35-15. Stall Handshake (Data OUT Transfer)**



### 35.5.3 Controlling Device States

A USB device has several possible states. Refer to Chapter 9 of the *Universal Serial Bus Specification, Rev 2.0*.

**Figure 35-16.** USB Device State Diagram



Movement from one state to another depends on the USB bus state or on standard requests sent through control transactions via the default endpoint (endpoint 0).

After a period of bus inactivity, the USB device enters Suspend Mode. Accepting Suspend/Resume requests from the USB host is mandatory. Constraints in Suspend Mode are very strict for bus-powered applications; devices may not consume more than 500  $\mu$ A on the USB bus.

While in Suspend Mode, the host may wake up a device by sending a resume signal (bus activity) or a USB device may send a wake-up request to the host, e.g., waking up a PC by moving a USB mouse.

The wake-up feature is not mandatory for all devices and must be negotiated with the host.



## 35.5.3.1 *From Powered State to Default State*

After its connection to a USB host, the USB device waits for an end-of-bus reset. The USB host stops driving a reset state once it has detected the device's pull-up on DP. The unmasked flag ENDBURSES is set in the register UDP\_ISR and an interrupt is triggered. The UDP software enables the default endpoint, setting the EPEDS flag in the UDP\_CSR[0] register and, optionally, enabling the interrupt for endpoint 0 by writing 1 to the UDP\_IER register. The enumeration then begins by a control transfer.

## 35.5.3.2 *From Default State to Address State*

After a set address standard device request, the USB host peripheral enters the address state. Before this, it achieves the Status IN transaction of the control transfer, i.e., the UDP device sets its new address once the TXCOMP flag in the UDP\_CSR[0] register has been received and cleared.

To move to address state, the driver software sets the FADDEN flag in the UDP\_GLB\_STATE, sets its new address, and sets the FEN bit in the UDP\_FADDR register.

## 35.5.3.3 *From Address State to Configured State*

Once a valid Set Configuration standard request has been received and acknowledged, the device enables endpoints corresponding to the current configuration. This is done by setting the EPEDS and EPTYPE fields in the UDP\_CSRx registers and, optionally, enabling corresponding interrupts in the UDP\_IER register.

## 35.5.3.4 *Enabling Suspend*

When a Suspend (no bus activity on the USB bus) is detected, the RXSUSP signal in the UDP\_ISR register is set. This triggers an interrupt if the corresponding bit is set in the UDP\_IMR register.

This flag is cleared by writing to the UDP\_ICR register. Then the device enters Suspend Mode. As an example, the microcontroller switches to slow clock, disables the PLL and main oscillator, and goes into Idle Mode. It may also switch off other devices on the board.

The USB device peripheral clocks may be switched off. However, the transceiver and the USB peripheral must not be switched off, otherwise the resume is not detected.

## 35.5.3.5 *Receiving a Host Resume*

In suspend mode, the USB transceiver and the USB peripheral must be powered to detect the RESUME. However, the USB device peripheral may not be clocked as the WAKEUP signal is asynchronous.

Once the resume is detected on the bus, the signal WAKEUP in the UDP\_ISR is set. It may generate an interrupt if the corresponding bit in the UDP\_IMR register is set. This interrupt may be used to wake-up the core, enable PLL and main oscillators and configure clocks. The WAKEUP bit must be cleared as soon as possible by setting WAKEUP in the UDP\_ICR register.

## 35.5.3.6 *Sending an External Resume*

The External Resume is negotiated with the host and enabled by setting the ESR bit in the UDP\_GLB\_STATE. An asynchronous event on the ext\_resume\_pin of the peripheral generates a WAKEUP interrupt. On early versions of the USP peripheral, the K-state on the USB line is generated immediately. This means that the USB device must be able to answer to the host very



quickly. On recent versions, the software sets the RMWUPE bit in the UDP\_GLB\_STATE register once it is ready to communicate with the host. The K-state on the bus is then generated.

The WAKEUP bit must be cleared as soon as possible by setting WAKEUP in the UDP\_ICR register.

## 35.6 USB Device Port (UDP) User Interface

**Table 35-4.** UDP Memory Map

| Offset                    | Register                               | Name         | Access     | Reset State |
|---------------------------|--|--------------|------------|-------------|
| 0x000                     | Frame Number Register                  | UDP_FRM_NUM  | Read       | 0x0000_0000 |
| 0x004                     | Global State Register                  | UDP_GLB_STAT | Read/Write | 0x0000_0010 |
| 0x008                     | Function Address Register              | UDP_FADDR    | Read/Write | 0x0000_0100 |
| 0x00C                     | Reserved                               | –            | –          | –           |
| 0x010                     | Interrupt Enable Register              | UDP_IER      | Write      |             |
| 0x014                     | Interrupt Disable Register             | UDP_IDR      | Write      |             |
| 0x018                     | Interrupt Mask Register                | UDP_IMR      | Read       | 0x0000_1200 |
| 0x01C                     | Interrupt Status Register              | UDP_ISR      | Read       | 0x0000_XX00 |
| 0x020                     | Interrupt Clear Register               | UDP_ICR      | Write      |             |
| 0x024                     | Reserved                               | –            | –          | –           |
| 0x028                     | Reset Endpoint Register                | UDP_RST_EP   | Read/Write |             |
| 0x02C                     | Reserved                               | –            | –          | –           |
| 0x030                     | Endpoint 0 Control and Status Register | UDP_CSR0     | Read/Write | 0x0000_0000 |
| .                         | .                                      |              |            |             |
| .                         | .                                      |              |            |             |
| .                         | .                                      |              |            |             |
| See Notes: <sup>(1)</sup> | Endpoint 5 Control and Status Register | UDP_CSR5     | Read/Write | 0x0000_0000 |
| 0x050                     | Endpoint 0 FIFO Data Register          | UDP_FDR0     | Read/Write | 0x0000_0000 |
| .                         | .                                      |              |            |             |
| .                         | .                                      |              |            |             |
| .                         | .                                      |              |            |             |
| See Notes: <sup>(2)</sup> | Endpoint 5 FIFO Data Register          | UDP_FDR5     | Read/Write | 0x0000_0000 |
| 0x070                     | Reserved                               | –            | –          | –           |
| 0x074                     | Transceiver Control Register           | UDP_TXVC     | Read/Write | 0x0000_0000 |
| 0x078 - 0xFC              | Reserved                               | –            | –          | –           |

Notes: 1. The addresses of the UDP\_CSRx registers are calculated as:  $0x030 + 4(\text{Endpoint Number} - 1)$ .  
 2. The addresses of the UDP\_FDRx registers are calculated as:  $0x050 + 4(\text{Endpoint Number} - 1)$ .

### 35.6.1 UDP Frame Number Register

**Register Name:** UDP\_FRM\_NUM

**Access Type:** Read-only

|         |     |     |     |     |         |        |         |
|---------|-----|-----|-----|-----|---------|--------|---------|
| 31      | 30  | 29  | 28  | 27  | 26      | 25     | 24      |
| ---     | --- | --- | --- | --- | ---     | ---    | ---     |
| 23      | 22  | 21  | 20  | 19  | 18      | 17     | 16      |
| -       | -   | -   | -   | -   | -       | FRM_OK | FRM_ERR |
| 15      | 14  | 13  | 12  | 11  | 10      | 9      | 8       |
| -       | -   | -   | -   | -   | FRM_NUM |        |         |
| 7       | 6   | 5   | 4   | 3   | 2       | 1      | 0       |
| FRM_NUM |     |     |     |     |         |        |         |

- **FRM\_NUM[10:0]: Frame Number as Defined in the Packet Field Formats**

This 11-bit value is incremented by the host on a per frame basis. This value is updated at each start of frame.

Value Updated at the SOF\_EOP (Start of Frame End of Packet).

- **FRM\_ERR: Frame Error**

This bit is set at SOF\_EOP when the SOF packet is received containing an error.

This bit is reset upon receipt of SOF\_PID.

- **FRM\_OK: Frame OK**

This bit is set at SOF\_EOP when the SOF packet is received without any error.

This bit is reset upon receipt of SOF\_PID (Packet Identification).

In the Interrupt Status Register, the SOF interrupt is updated upon receiving SOF\_PID. This bit is set without waiting for EOP.

Note: In the 8-bit Register Interface, FRM\_OK is bit 4 of FRM\_NUM\_H and FRM\_ERR is bit 3 of FRM\_NUM\_L.

## 35.6.2 UDP Global State Register

**Register Name:** UDP\_GLB\_STAT

**Access Type:** Read/Write

|    |    |    |        |         |     |        |        |
|----|----|----|--------|---------|-----|--------|--------|
| 31 | 30 | 29 | 28     | 27      | 26  | 25     | 24     |
| –  | –  | –  | –      | –       | –   | –      | –      |
| 23 | 22 | 21 | 20     | 19      | 18  | 17     | 16     |
| –  | –  | –  | –      | –       | –   | –      | –      |
| 15 | 14 | 13 | 12     | 11      | 10  | 9      | 8      |
| –  | –  | –  | –      | –       | –   | –      | –      |
| 7  | 6  | 5  | 4      | 3       | 2   | 1      | 0      |
| –  | –  | –  | RMWUPE | RSMINPR | ESR | CONFIG | FADDEN |

This register is used to get and set the device state as specified in Chapter 9 of the *USB Serial Bus Specification, Rev.2.0*.

- **FADDEN: Function Address Enable**

Read:

0 = Device is not in address state.

1 = Device is in address state.

Write:

0 = No effect, only a reset can bring back a device to the default state.

1 = Sets device in address state. This occurs after a successful Set Address request. Beforehand, the UDP\_FADDR register must have been initialized with Set Address parameters. Set Address must complete the Status Stage before setting FADDEN. Refer to chapter 9 of the *Universal Serial Bus Specification, Rev. 2.0* for more details.

- **CONFIG: Configured**

Read:

0 = Device is not in configured state.

1 = Device is in configured state.

Write:

0 = Sets device in a non configured state

1 = Sets device in configured state.

The device is set in configured state when it is in address state and receives a successful Set Configuration request. Refer to Chapter 9 of the *Universal Serial Bus Specification, Rev. 2.0* for more details.

- **ESR: Enable Send Resume**

0 = Disables the Remote Wake Up sequence.

1 = Remote Wake Up can be processed and the pin send\_resume is enabled.

- **RSMINPR: A Resume Has Been Sent to the Host**

Read:

0 = No effect.

1 = A Resume has been received from the host during Remote Wake Up feature.



- **RMWUPE: Remote Wake Up Enable**

0 = Must be cleared after receiving any HOST packet or SOF interrupt.

1 = Enables the K-state on the USB cable if ESR is enabled.

## 35.6.3 UDP Function Address Register

**Register Name:** UDP\_FADDR

**Access Type:** Read/Write

|    |      |    |    |    |    |    |     |
|----|------|----|----|----|----|----|-----|
| 31 | 30   | 29 | 28 | 27 | 26 | 25 | 24  |
| –  | –    | –  | –  | –  | –  | –  | –   |
| 23 | 22   | 21 | 20 | 19 | 18 | 17 | 16  |
| –  | –    | –  | –  | –  | –  | –  | –   |
| 15 | 14   | 13 | 12 | 11 | 10 | 9  | 8   |
| –  | –    | –  | –  | –  | –  | –  | FEN |
| 7  | 6    | 5  | 4  | 3  | 2  | 1  | 0   |
| –  | FADD |    |    |    |    |    |     |

- **FADD[6:0]: Function Address Value**

The Function Address Value must be programmed by firmware once the device receives a set address request from the host, and has achieved the status stage of the no-data control sequence. Refer to the *Universal Serial Bus Specification, Rev. 2.0* for more information. After power up or reset, the function address value is set to 0.

- **FEN: Function Enable**

Read:

0 = Function endpoint disabled.

1 = Function endpoint enabled.

Write:

0 = Disables function endpoint.

1 = Default value.

The Function Enable bit (FEN) allows the microcontroller to enable or disable the function endpoints. The microcontroller sets this bit after receipt of a reset from the host. Once this bit is set, the USB device is able to accept and transfer data packets from and to the host.

### 35.6.4 UDP Interrupt Enable Register

**Register Name:** UDP\_IER

**Access Type:** Write-only

|    |    |        |        |        |        |        |        |
|----|----|--------|--------|--------|--------|--------|--------|
| 31 | 30 | 29     | 28     | 27     | 26     | 25     | 24     |
| –  | –  | –      | –      | –      | –      | –      | –      |
| 23 | 22 | 21     | 20     | 19     | 18     | 17     | 16     |
| –  | –  | –      | –      | –      | –      | –      | –      |
| 15 | 14 | 13     | 12     | 11     | 10     | 9      | 8      |
| –  | –  | WAKEUP | –      | SOFINT | EXTRSM | RXRSM  | RXSUSP |
| 7  | 6  | 5      | 4      | 3      | 2      | 1      | 0      |
| –  | –  | EP5INT | EP4INT | EP3INT | EP2INT | EP1INT | EP0INT |

- **EP0INT: Enable Endpoint 0 Interrupt**
- **EP1INT: Enable Endpoint 1 Interrupt**
- **EP2INT: Enable Endpoint 2 Interrupt**
- **EP3INT: Enable Endpoint 3 Interrupt**
- **EP4INT: Enable Endpoint 4 Interrupt**
- **EP5INT: Enable Endpoint 5 Interrupt**

0 = No effect.

1 = Enables corresponding Endpoint Interrupt.

- **RXSUSP: Enable UDP Suspend Interrupt**

0 = No effect.

1 = Enables UDP Suspend Interrupt.

- **RXRSM: Enable UDP Resume Interrupt**

0 = No effect.

1 = Enables UDP Resume Interrupt.

- **EXTRSM: Enable External Resume Interrupt**

0 = No effect.

1 = Enables External Resume Interrupt.

- **SOFINT: Enable Start Of Frame Interrupt**

0 = No effect.

1 = Enables Start Of Frame Interrupt.

- **WAKEUP: Enable UDP bus Wakeup Interrupt**

0 = No effect.

1 = Enables USB bus Interrupt.



## 35.6.5 UDP Interrupt Disable Register

**Register Name:** UDP\_IDR

**Access Type:** Write-only

|    |    |        |        |        |        |        |        |
|----|----|--------|--------|--------|--------|--------|--------|
| 31 | 30 | 29     | 28     | 27     | 26     | 25     | 24     |
| –  | –  | –      | –      | –      | –      | –      | –      |
| 23 | 22 | 21     | 20     | 19     | 18     | 17     | 16     |
| –  | –  | –      | –      | –      | –      | –      | –      |
| 15 | 14 | 13     | 12     | 11     | 10     | 9      | 8      |
| –  | –  | WAKEUP | –      | SOFINT | EXTRSM | RXRSM  | RXSUSP |
| 7  | 6  | 5      | 4      | 3      | 2      | 1      | 0      |
| –  | –  | EP5INT | EP4INT | EP3INT | EP2INT | EP1INT | EP0INT |

- **EP0INT: Disable Endpoint 0 Interrupt**
- **EP1INT: Disable Endpoint 1 Interrupt**
- **EP2INT: Disable Endpoint 2 Interrupt**
- **EP3INT: Disable Endpoint 3 Interrupt**
- **EP4INT: Disable Endpoint 4 Interrupt**
- **EP5INT: Disable Endpoint 5 Interrupt**

0 = No effect.

1 = Disables corresponding Endpoint Interrupt.

- **RXSUSP: Disable UDP Suspend Interrupt**

0 = No effect.

1 = Disables UDP Suspend Interrupt.

- **RXRSM: Disable UDP Resume Interrupt**

0 = No effect.

1 = Disables UDP Resume Interrupt.

- **EXTRSM: Disable External Resume Interrupt**

0 = No effect.

1 = Disables External Resume Interrupt.

- **SOFINT: Disable Start Of Frame Interrupt**

0 = No effect.

1 = Disables Start Of Frame Interrupt

- **WAKEUP: Disable USB Bus Interrupt**

0 = No effect.

1 = Disables USB Bus Wakeup Interrupt.

### 35.6.6 UDP Interrupt Mask Register

**Register Name:** UDP\_IMR

**Access Type:** Read-only

|    |    |        |        |        |        |        |        |
|----|----|--------|--------|--------|--------|--------|--------|
| 31 | 30 | 29     | 28     | 27     | 26     | 25     | 24     |
| –  | –  | –      | –      | –      | –      | –      | –      |
| 23 | 22 | 21     | 20     | 19     | 18     | 17     | 16     |
| –  | –  | –      | –      | –      | –      | –      | –      |
| 15 | 14 | 13     | 12     | 11     | 10     | 9      | 8      |
| –  | –  | WAKEUP | –      | SOFINT | EXTRSM | RXRSM  | RXSUSP |
| 7  | 6  | 5      | 4      | 3      | 2      | 1      | 0      |
| –  | –  | EP5INT | EP4INT | EP3INT | EP2INT | EP1INT | EP0INT |

- **EP0INT: Mask Endpoint 0 Interrupt**
- **EP1INT: Mask Endpoint 1 Interrupt**
- **EP2INT: Mask Endpoint 2 Interrupt**
- **EP3INT: Mask Endpoint 3 Interrupt**
- **EP4INT: Mask Endpoint 4 Interrupt**
- **EP5INT: Mask Endpoint 5 Interrupt**

0 = Corresponding Endpoint Interrupt is disabled.

1 = Corresponding Endpoint Interrupt is enabled.

- **RXSUSP: Mask UDP Suspend Interrupt**

0 = UDP Suspend Interrupt is disabled.

1 = UDP Suspend Interrupt is enabled.

- **RXRSM: Mask UDP Resume Interrupt.**

0 = UDP Resume Interrupt is disabled.

1 = UDP Resume Interrupt is enabled.

- **EXTRSM: Mask External Resume Interrupt**

0 = External Resume Interrupt is disabled.

1 = External Resume Interrupt is enabled.

- **SOFINT: Mask Start Of Frame Interrupt**

0 = Start of Frame Interrupt is disabled.

1 = Start of Frame Interrupt is enabled.

- **WAKEUP: USB Bus WAKEUP Interrupt**

0 = USB Bus Wakeup Interrupt is disabled.

1 = USB Bus Wakeup Interrupt is enabled.

**Note:** When the USB block is in suspend mode, the application may power down the USB logic. In this case, any USB HOST resume request that is made must be taken into account and, thus, the reset value of the RXRSM bit of the register UDP\_IMR is enabled.

## 35.6.7 UDP Interrupt Status Register

**Register Name:** UDP\_ISR

**Access Type:** Read-only

|    |    |        |               |        |        |        |        |
|----|----|--------|---------------|--------|--------|--------|--------|
| 31 | 30 | 29     | 28            | 27     | 26     | 25     | 24     |
| –  | –  | –      | –             | –      | –      | –      | –      |
| 23 | 22 | 21     | 20            | 19     | 18     | 17     | 16     |
| –  | –  | –      | –             | –      | –      | –      | –      |
| 15 | 14 | 13     | 12            | 11     | 10     | 9      | 8      |
| –  | –  | WAKEUP | ENDBUSRE<br>S | SOFINT | EXTRSM | RXRSM  | RXSUSP |
| 7  | 6  | 5      | 4             | 3      | 2      | 1      | 0      |
| –  | –  | EP5INT | EP4INT        | EP3INT | EP2INT | EP1INT | EP0INT |

- **EP0INT: Endpoint 0 Interrupt Status**

0 = No Endpoint0 Interrupt pending.

1 = Endpoint0 Interrupt has been raised.

Several signals can generate this interrupt. The reason can be found by reading UDP\_CSR0:

- RXSETUP set to 1
- RX\_DATA\_BK0 set to 1
- RX\_DATA\_BK1 set to 1
- TXCOMP set to 1
- STALLSENT set to 1

EP0INT is a sticky bit. Interrupt remains valid until EP0INT is cleared by writing in the corresponding UDP\_CSR0 bit.

- **EP1INT: Endpoint 1 Interrupt Status**

0 = No Endpoint1 Interrupt pending.

1 = Endpoint1 Interrupt has been raised.

Several signals can generate this interrupt. The reason can be found by reading UDP\_CSR1:

- RXSETUP set to 1
- RX\_DATA\_BK0 set to 1
- RX\_DATA\_BK1 set to 1
- TXCOMP set to 1
- STALLSENT set to 1

EP1INT is a sticky bit. Interrupt remains valid until EP1INT is cleared by writing in the corresponding UDP\_CSR1 bit.

- **EP2INT: Endpoint 2 Interrupt Status**

0 = No Endpoint2 Interrupt pending.

1 = Endpoint2 Interrupt has been raised.

Several signals can generate this interrupt. The reason can be found by reading UDP\_CSR2:

- RXSETUP set to 1
- RX\_DATA\_BK0 set to 1
- RX\_DATA\_BK1 set to 1



TXCOMP set to 1  
STALLSENT set to 1

EP2INT is a sticky bit. Interrupt remains valid until EP2INT is cleared by writing in the corresponding UDP\_CSR2 bit.

- **EP3INT: Endpoint 3 Interrupt Status**

0 = No Endpoint3 Interrupt pending.  
1 = Endpoint3 Interrupt has been raised.

Several signals can generate this interrupt. The reason can be found by reading UDP\_CSR3:

RXSETUP set to 1  
RX\_DATA\_BK0 set to 1  
RX\_DATA\_BK1 set to 1  
TXCOMP set to 1  
STALLSENT set to 1

EP3INT is a sticky bit. Interrupt remains valid until EP3INT is cleared by writing in the corresponding UDP\_CSR3 bit.

- **EP4INT: Endpoint 4 Interrupt Status**

0 = No Endpoint4 Interrupt pending.  
1 = Endpoint4 Interrupt has been raised.

Several signals can generate this interrupt. The reason can be found by reading UDP\_CSR4:

RXSETUP set to 1  
RX\_DATA\_BK0 set to 1  
RX\_DATA\_BK1 set to 1  
TXCOMP set to 1  
STALLSENT set to 1

EP4INT is a sticky bit. Interrupt remains valid until EP4INT is cleared by writing in the corresponding UDP\_CSR4 bit.

- **EP5INT: Endpoint 5 Interrupt Status**

0 = No Endpoint5 Interrupt pending.  
1 = Endpoint5 Interrupt has been raised.

Several signals can generate this interrupt. The reason can be found by reading UDP\_CSR5:

RXSETUP set to 1  
RX\_DATA\_BK0 set to 1  
RX\_DATA\_BK1 set to 1  
TXCOMP set to 1  
STALLSENT set to 1

EP5INT is a sticky bit. Interrupt remains valid until EP5INT is cleared by writing in the corresponding UDP\_CSR5 bit.

- **RXSUSP: UDP Suspend Interrupt Status**

0 = No UDP Suspend Interrupt pending.  
1 = UDP Suspend Interrupt has been raised.

The USB device sets this bit when it detects no activity for 3ms. The USB device enters Suspend mode.

- **RXRSM: UDP Resume Interrupt Status**

0 = No UDP Resume Interrupt pending.  
1 =UDP Resume Interrupt has been raised.

The USB device sets this bit when a UDP resume signal is detected at its port.

After reset, the state of this bit is undefined, the application must clear this bit by setting the RXRSM flag in the UDP\_ICR register.

- **EXTRSM: External Resume Interrupt Status**

0 = No External Resume Interrupt pending.

1 = External Resume Interrupt has been raised.

This interrupt is raised when, in suspend mode, an asynchronous rising edge on the send\_resume is detected.

If RMWUPE = 1, a resume state is sent in the USB bus.

- **SOFINT: Start of Frame Interrupt Status**

0 = No Start of Frame Interrupt pending.

1 = Start of Frame Interrupt has been raised.

This interrupt is raised each time a SOF token has been detected. It can be used as a synchronization signal by using isochronous endpoints.

- **ENDBUSRES: End of BUS Reset Interrupt Status**

0 = No End of Bus Reset Interrupt pending.

1 = End of Bus Reset Interrupt has been raised.

This interrupt is raised at the end of a UDP reset sequence. The USB device must prepare to receive requests on the endpoint 0. The host starts the enumeration, then performs the configuration.

- **WAKEUP: UDP Resume Interrupt Status**

0 = No Wakeup Interrupt pending.

1 = A Wakeup Interrupt (USB Host Sent a RESUME or RESET) occurred since the last clear.

After reset the state of this bit is undefined, the application must clear this bit by setting the WAKEUP flag in the UDP\_ICR register.

### 35.6.8 UDP Interrupt Clear Register

**Register Name:** UDP\_ICR

**Access Type:** Write-only

|    |    |        |           |        |        |       |        |
|----|----|--------|-----------|--------|--------|-------|--------|
| 31 | 30 | 29     | 28        | 27     | 26     | 25    | 24     |
| –  | –  | –      | –         | –      | –      | –     | –      |
| 23 | 22 | 21     | 20        | 19     | 18     | 17    | 16     |
| –  | –  | –      | –         | –      | –      | –     | –      |
| 15 | 14 | 13     | 12        | 11     | 10     | 9     | 8      |
| –  | –  | WAKEUP | ENDBURSES | SOFINT | EXTRSM | RXRSM | RXSUSP |
| 7  | 6  | 5      | 4         | 3      | 2      | 1     | 0      |
| –  | –  | –      | –         | –      | –      | –     | –      |

- **RXSUSP: Clear UDP Suspend Interrupt**

0 = No effect.

1 = Clears UDP Suspend Interrupt.

- **RXRSM: Clear UDP Resume Interrupt**

0 = No effect.

1 = Clears UDP Resume Interrupt.

- **EXTRSM: Clear External Resume Interrupt**

0 = No effect.

1 = Clears External Resume Interrupt.

- **SOFINT: Clear Start Of Frame Interrupt**

0 = No effect.

1 = Clears Start Of Frame Interrupt.

- **ENDBURSES: Clear End of Bus Reset Interrupt**

0 = No effect.

1 = Clears End of Bus Reset Interrupt.

- **WAKEUP: Clear Wakeup Interrupt**

0 = No effect.

1 = Clears Wakeup Interrupt.

## 35.6.9 UDP Reset Endpoint Register

**Register Name:** UDP\_RST\_EP

**Access Type:** Read/Write

|    |    |     |     |     |     |     |     |
|----|----|-----|-----|-----|-----|-----|-----|
| 31 | 30 | 29  | 28  | 27  | 26  | 25  | 24  |
| –  | –  | –   | –   | –   | –   | –   | –   |
| 23 | 22 | 21  | 20  | 19  | 18  | 17  | 16  |
| –  | –  | –   | –   | –   | –   | –   | –   |
| 15 | 14 | 13  | 12  | 11  | 10  | 9   | 8   |
| –  | –  | –   | –   | –   | –   | –   | –   |
| 7  | 6  | 5   | 4   | 3   | 2   | 1   | 0   |
| –  | –  | EP5 | EP4 | EP3 | EP2 | EP1 | EP0 |

- **EP0: Reset Endpoint 0**
- **EP1: Reset Endpoint 1**
- **EP2: Reset Endpoint 2**
- **EP3: Reset Endpoint 3**
- **EP4: Reset Endpoint 4**
- **EP5: Reset Endpoint 5**

This flag is used to reset the FIFO associated with the endpoint and the bit RXBYTECOUNT in the register UDP\_CSRx. It also resets the data toggle to DATA0. It is useful after removing a HALT condition on a BULK endpoint. Refer to Chapter 5.8.5 in the *USB Serial Bus Specification, Rev.2.0*.

Warning: This flag must be cleared at the end of the reset. It does not clear UDP\_CSRx flags.

0 = No reset.

1 = Forces the corresponding endpoint FIFO pointers to 0, therefore RXBYTECNT field is read at 0 in UDP\_CSRx register.



### 35.6.10 UDP Endpoint Control and Status Register

**Register Name:** UDP\_CSRx [x = 0..5]

**Access Type:** Read/Write

|           |             |             |          |                    |           |             |        |
|-----------|-------------|-------------|----------|--------------------|-----------|-------------|--------|
| 31        | 30          | 29          | 28       | 27                 | 26        | 25          | 24     |
| -         | -           | -           | -        | -                  | RXBYTECNT |             |        |
| 23        | 22          | 21          | 20       | 19                 | 18        | 17          | 16     |
| RXBYTECNT |             |             |          |                    |           |             |        |
| 15        | 14          | 13          | 12       | 11                 | 10        | 9           | 8      |
| EPEDS     | -           | -           | -        | DTGLE              | EPTYPE    |             |        |
| 7         | 6           | 5           | 4        | 3                  | 2         | 1           | 0      |
| DIR       | RX_DATA_BK1 | FORCE STALL | TXPKTRDY | STALLSENT ISOERROR | RXSETUP   | RX_DATA_BK0 | TXCOMP |

• **TXCOMP: Generates an IN packet with data previously written in the DPR**

This flag generates an interrupt while it is set to one.

Write (Cleared by the firmware):

0 = Clear the flag, clear the interrupt.

1 = No effect.

Read (Set by the USB peripheral):

0 = Data IN transaction has not been acknowledged by the Host.

1 = Data IN transaction is achieved, acknowledged by the Host.

After having issued a Data IN transaction setting TXPKTRDY, the device firmware waits for TXCOMP to be sure that the host has acknowledged the transaction.

• **RX\_DATA\_BK0: Receive Data Bank 0**

This flag generates an interrupt while it is set to one.

Write (Cleared by the firmware):

0 = Notify USB peripheral device that data have been read in the FIFO's Bank 0.

1 = No effect.

Read (Set by the USB peripheral):

0 = No data packet has been received in the FIFO's Bank 0

1 = A data packet has been received, it has been stored in the FIFO's Bank 0.

When the device firmware has polled this bit or has been interrupted by this signal, it must transfer data from the FIFO to the microcontroller memory. The number of bytes received is available in RXBYTCENT field. Bank 0 FIFO values are read through the UDP\_FDRx register. Once a transfer is done, the device firmware must release Bank 0 to the USB peripheral device by clearing RX\_DATA\_BK0.



- **RXSETUP: Sends STALL to the Host (Control Endpoints)**

This flag generates an interrupt while it is set to one.

Read:

0 = No setup packet available.

1 = A setup data packet has been sent by the host and is available in the FIFO.

Write:

0 = Device firmware notifies the USB peripheral device that it has read the setup data in the FIFO.

1 = No effect.

This flag is used to notify the USB device firmware that a valid Setup data packet has been sent by the host and successfully received by the USB device. The USB device firmware may transfer Setup data from the FIFO by reading the UDP\_FDRx register to the microcontroller memory. Once a transfer has been done, RXSETUP must be cleared by the device firmware.

Ensuing Data OUT transaction is not accepted while RXSETUP is set.

- **STALLSENT: Stall Sent (Control, Bulk Interrupt Endpoints) / ISOERROR (Isochronous Endpoints)**

This flag generates an interrupt while it is set to one.

STALLSENT: This ends a STALL handshake.

Read:

0 = The host has not acknowledged a STALL.

1 = Host has acknowledged the stall.

Write:

0 = Resets the STALLSENT flag, clears the interrupt.

1 = No effect.

This is mandatory for the device firmware to clear this flag. Otherwise the interrupt remains.

Refer to chapters 8.4.5 and 9.4.5 of the *Universal Serial Bus Specification, Rev. 2.0* for more information on the STALL handshake.

ISOERROR: A CRC error has been detected in an isochronous transfer.

Read:

0 = No error in the previous isochronous transfer.

1 = CRC error has been detected, data available in the FIFO are corrupted.

Write:

0 = Resets the ISOERROR flag, clears the interrupt.

1 = No effect.

- **TXPKTRDY: Transmit Packet Ready**

This flag is cleared by the USB device.

This flag is set by the USB device firmware.

Read:

0 = Data values can be written in the FIFO.

1 = Data values can not be written in the FIFO.

Write:

0 = No effect.

1 = A new data payload is has been written in the FIFO by the firmware and is ready to be sent.

This flag is used to generate a Data IN transaction (device to host). Device firmware checks that it can write a data payload in the FIFO, checking that TXPKTRDY is cleared. Transfer to the FIFO is done by writing in the UDP\_FDRx register. Once the data payload has been transferred to the FIFO, the firmware notifies the USB device setting TXPKTRDY to one. USB bus transactions can start. TXCOMP is set once the data payload has been received by the host.

- **FORCESTALL: Force Stall (used by Control, Bulk and Isochronous Endpoints)**

Write-only

0 = No effect.

1 = Sends STALL to the host.

Refer to chapters 8.4.5 and 9.4.5 of the *Universal Serial Bus Specification, Rev. 2.0* for more information on the STALL handshake.

Control endpoints: During the data stage and status stage, this indicates that the microcontroller cannot complete the request.

Bulk and interrupt endpoints: Notifies the host that the endpoint is halted.

The host acknowledges the STALL, device firmware is notified by the STALLSENT flag.

- **RX\_DATA\_BK1: Receive Data Bank 1 (only used by endpoints with ping-pong attributes)**

This flag generates an interrupt while it is set to one.

Write (Cleared by the firmware):

0 = Notifies USB device that data have been read in the FIFO's Bank 1.

1 = No effect.

Read (Set by the USB peripheral):

0 = No data packet has been received in the FIFO's Bank 1.

1 = A data packet has been received, it has been stored in FIFO's Bank 1.

When the device firmware has polled this bit or has been interrupted by this signal, it must transfer data from the FIFO to microcontroller memory. The number of bytes received is available in RXBYTECNT field. Bank 1 FIFO values are read through UDP\_FDRx register. Once a transfer is done, the device firmware must release Bank 1 to the USB device by clearing RX\_DATA\_BK1.

- **DIR: Transfer Direction (only available for control endpoints)**

Read/Write

0 = Allows Data OUT transactions in the control data stage.

1 = Enables Data IN transactions in the control data stage.

Refer to Chapter 8.5.3 of the *Universal Serial Bus Specification, Rev. 2.0* for more information on the control data stage.

This bit must be set before UDP\_CSRx/RXSETUP is cleared at the end of the setup stage. According to the request sent in the setup data packet, the data stage is either a device to host (DIR = 1) or host to device (DIR = 0) data transfer. It is not necessary to check this bit to reverse direction for the status stage.

- **EPTYPE[2:0]: Endpoint Type**

Read/Write

|     |                 |
|-----|-----------------|
| 000 | Control         |
| 001 | Isochronous OUT |
| 101 | Isochronous IN  |
| 010 | Bulk OUT        |
| 110 | Bulk IN         |
| 011 | Interrupt OUT   |
| 111 | Interrupt IN    |

- **DTGLE: Data Toggle**

Read-only

0 = Identifies DATA0 packet.

1 = Identifies DATA1 packet.

Refer to Chapter 8 of the *Universal Serial Bus Specification, Rev. 2.0* for more information on DATA0, DATA1 packet definitions.

- **EPEDS: Endpoint Enable Disable**

Read:

0 = Endpoint disabled.

1 = Endpoint enabled.

Write:

0 = Disables endpoint.

1 = Enables endpoint.

- **RXBYTECNT[10:0]: Number of Bytes Available in the FIFO**

Read-only

When the host sends a data packet to the device, the USB device stores the data in the FIFO and notifies the microcontroller. The microcontroller can load the data from the FIFO by reading RXBYTECENT bytes in the UDP\_FDRx register.

### 35.6.11 UDP FIFO Data Register

**Register Name:** UDP\_FDRx [x = 0..5]

**Access Type:** Read/Write

|           |    |    |    |    |    |    |    |
|-----------|----|----|----|----|----|----|----|
| 31        | 30 | 29 | 28 | 27 | 26 | 25 | 24 |
| –         | –  | –  | –  | –  | –  | –  | –  |
| 23        | 22 | 21 | 20 | 19 | 18 | 17 | 16 |
| –         | –  | –  | –  | –  | –  | –  | –  |
| 15        | 14 | 13 | 12 | 11 | 10 | 9  | 8  |
| –         | –  | –  | –  | –  | –  | –  | –  |
| 7         | 6  | 5  | 4  | 3  | 2  | 1  | 0  |
| FIFO_DATA |    |    |    |    |    |    |    |

- **FIFO\_DATA[7:0]: FIFO Data Value**

The microcontroller can push or pop values in the FIFO through this register.

RXBYTECNT in the corresponding UDP\_CSRx register is the number of bytes to be read from the FIFO (sent by the host).

The maximum number of bytes to write is fixed by the Max Packet Size in the Standard Endpoint Descriptor. It can not be more than the physical memory size associated to the endpoint. Refer to the *Universal Serial Bus Specification, Rev. 2.0* for more information.

### 35.6.12 UDP Transceiver Control Register

**Register Name:** UDP\_TXVC

**Access Type:** Read/Write

|    |    |    |    |    |    |    |        |
|----|----|----|----|----|----|----|--------|
| 31 | 30 | 29 | 28 | 27 | 26 | 25 | 24     |
| –  | –  | –  | –  | –  | –  | –  | –      |
| 23 | 22 | 21 | 20 | 19 | 18 | 17 | 16     |
| –  | –  | –  | –  | –  | –  | –  | –      |
| 15 | 14 | 13 | 12 | 11 | 10 | 9  | 8      |
| –  | –  | –  | –  | –  | –  | –  | TXVDIS |
| 7  | 6  | 5  | 4  | 3  | 2  | 1  | 0      |
| –  | –  | –  | –  | –  | –  | –  | –      |

- **TXVDIS: Transceiver Disable**

When UDP is disabled, power consumption can be reduced significantly by disabling the embedded transceiver. This can be done by setting TXVDIS field.

To enable the transceiver, TXVDIS must be cleared.

## 36. Analog-to-digital Converter (ADC)

### 36.1 Overview

The ADC is based on a Successive Approximation Register (SAR) 10-bit Analog-to-Digital Converter (ADC). It also integrates an 8-to-1 analog multiplexer, making possible the analog-to-digital conversions of up to eight analog lines. The conversions extend from 0V to ADVREF.

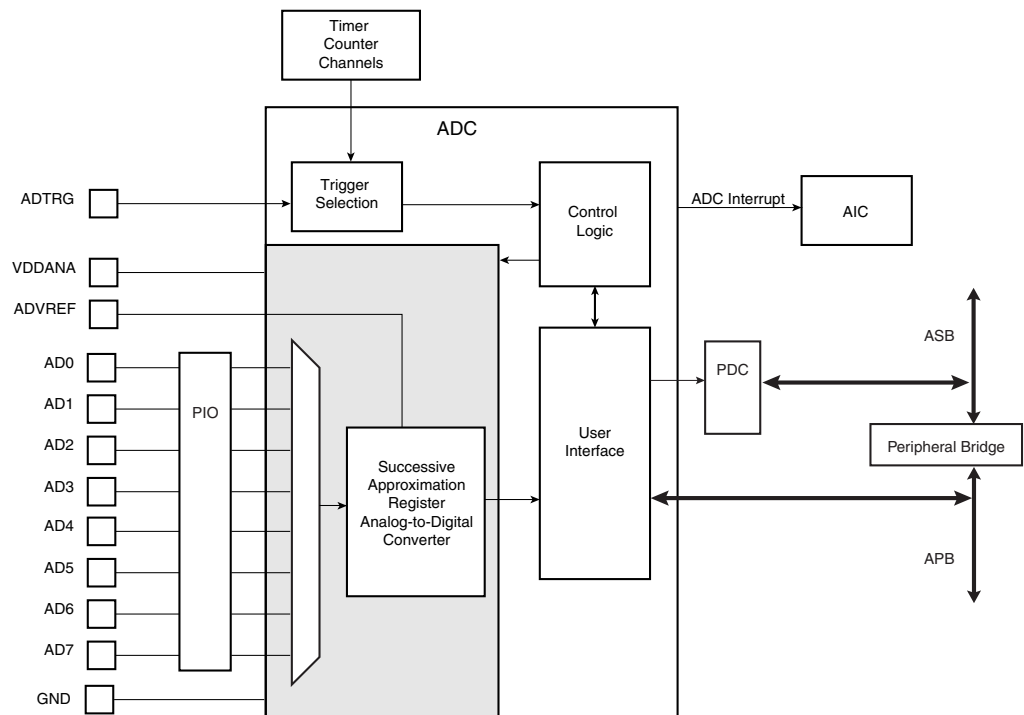
The ADC supports an 8-bit or 10-bit resolution mode, and conversion results are reported in a common register for all channels, as well as in a channel-dedicated register. Software trigger, external trigger on rising edge of the ADTRG pin or internal triggers from Timer Counter output(s) are configurable.

The ADC also integrates a Sleep Mode and a conversion sequencer and connects with a PDC channel. These features reduce both power consumption and processor intervention.

Finally, the user can configure ADC timings, such as Startup Time and Sample & Hold Time.

### 36.2 Block Diagram

**Figure 36-1.** Analog-to-Digital Converter Block Diagram



## 36.3 Signal Description

**Table 36-1.** ADC Pin Description

| Pin Name  | Description           |
|-----------|-----------------------|
| VDDIN     | Analog power supply   |
| ADVREF    | Reference voltage     |
| AD0 - AD7 | Analog input channels |
| ADTRG     | External trigger      |

## 36.4 Product Dependencies

### 36.4.1 Power Management

The ADC is automatically clocked after the first conversion in Normal Mode. In Sleep Mode, the ADC clock is automatically stopped after each conversion. As the logic is small and the ADC cell can be put into Sleep Mode, the Power Management Controller has no effect on the ADC behavior.

### 36.4.2 Interrupt Sources

The ADC interrupt line is connected on one of the internal sources of the Advanced Interrupt Controller. Using the ADC interrupt requires the AIC to be programmed first.

### 36.4.3 Analog Inputs

The pins AD0 to AD7 can be multiplexed with PIO lines. In this case, the assignment of the ADC input is automatically done as soon as the corresponding channel is enabled by writing the register ADC\_CHER. By default, after reset, the PIO line is configured as input with its pull-up enabled and the ADC input is connected to the GND.

### 36.4.4 I/O Lines

The pin ADTRG may be shared with other peripheral functions through the PIO Controller. In this case, the PIO Controller should be set accordingly to assign the pin ADTRG to the ADC function.

### 36.4.5 Timer Triggers

Timer Counters may or may not be used as hardware triggers depending on user requirements. Thus, some or all of the timer counters may be non-connected.

### 36.4.6 Conversion Performances

For performance and electrical characteristics of the ADC, see [Section 39.7 "ADC Characteristics"](#), on page 606.

## 36.5 Functional Description

### 36.5.1 Analog-to-digital Conversion

The ADC uses the ADC Clock to perform conversions. Converting a single analog value to a 10-bit digital data requires Sample and Hold Clock cycles as defined in the field SHTIM of the "ADC Mode Register" on page 485 and 10 ADC Clock cycles. The ADC Clock frequency is selected in the PRESCAL field of the Mode Register (ADC\_MR).

The ADC clock range is between MCK/2, if PRESCAL is 0, and MCK/128, if PRESCAL is set to 63 (0x3F). PRESCAL must be programmed in order to provide an ADC clock frequency according to the parameters given in the Product definition section.

### 36.5.2 Conversion Reference

The conversion is performed on a full range between 0V and the reference voltage pin ADVREF. Analog inputs between these voltages convert to values based on a linear conversion.

### 36.5.3 Conversion Resolution

The ADC supports 8-bit or 10-bit resolutions. The 8-bit selection is performed by setting the bit LOWRES in the ADC Mode Register (ADC\_MR). By default, after a reset, the resolution is the highest and the DATA field in the data registers is fully used. By setting the bit LOWRES, the ADC switches in the lowest resolution and the conversion results can be read in the eight lowest significant bits of the data registers. The two highest bits of the DATA field in the corresponding ADC\_CDR register and of the LDATA field in the ADC\_LCDR register read 0.

Moreover, when a PDC channel is connected to the ADC, 10-bit resolution sets the transfer request sizes to 16-bit. Setting the bit LOWRES automatically switches to 8-bit data transfers. In this case, the destination buffers are optimized.

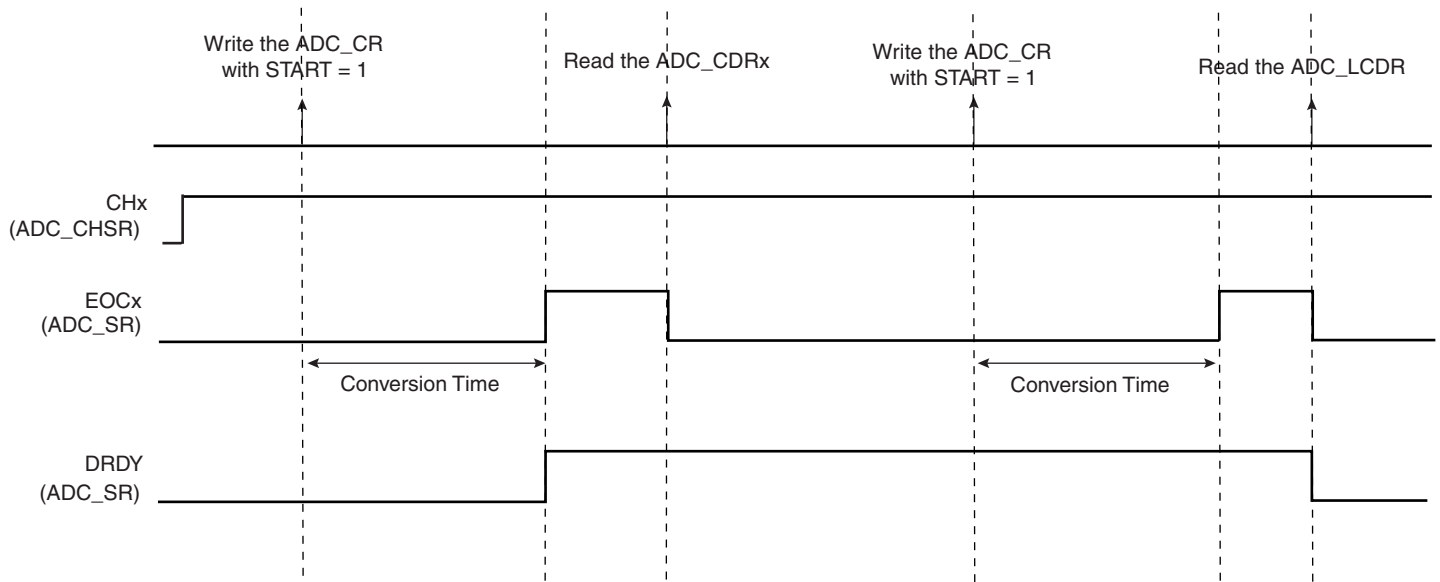
### 36.5.4 Conversion Results

When a conversion is completed, the resulting 10-bit digital value is stored in the Channel Data Register (ADC\_CDR) of the current channel and in the ADC Last Converted Data Register (ADC\_LCDR).

The channel EOC bit in the Status Register (ADC\_SR) is set and the DRDY is set. In the case of a connected PDC channel, DRDY rising triggers a data transfer request. In any case, either EOC and DRDY can trigger an interrupt.

Reading one of the ADC\_CDR registers clears the corresponding EOC bit. Reading ADC\_LCDR clears the DRDY bit and the EOC bit corresponding to the last converted channel.

**Figure 36-2. EOCx and DRDY Flag Behavior**



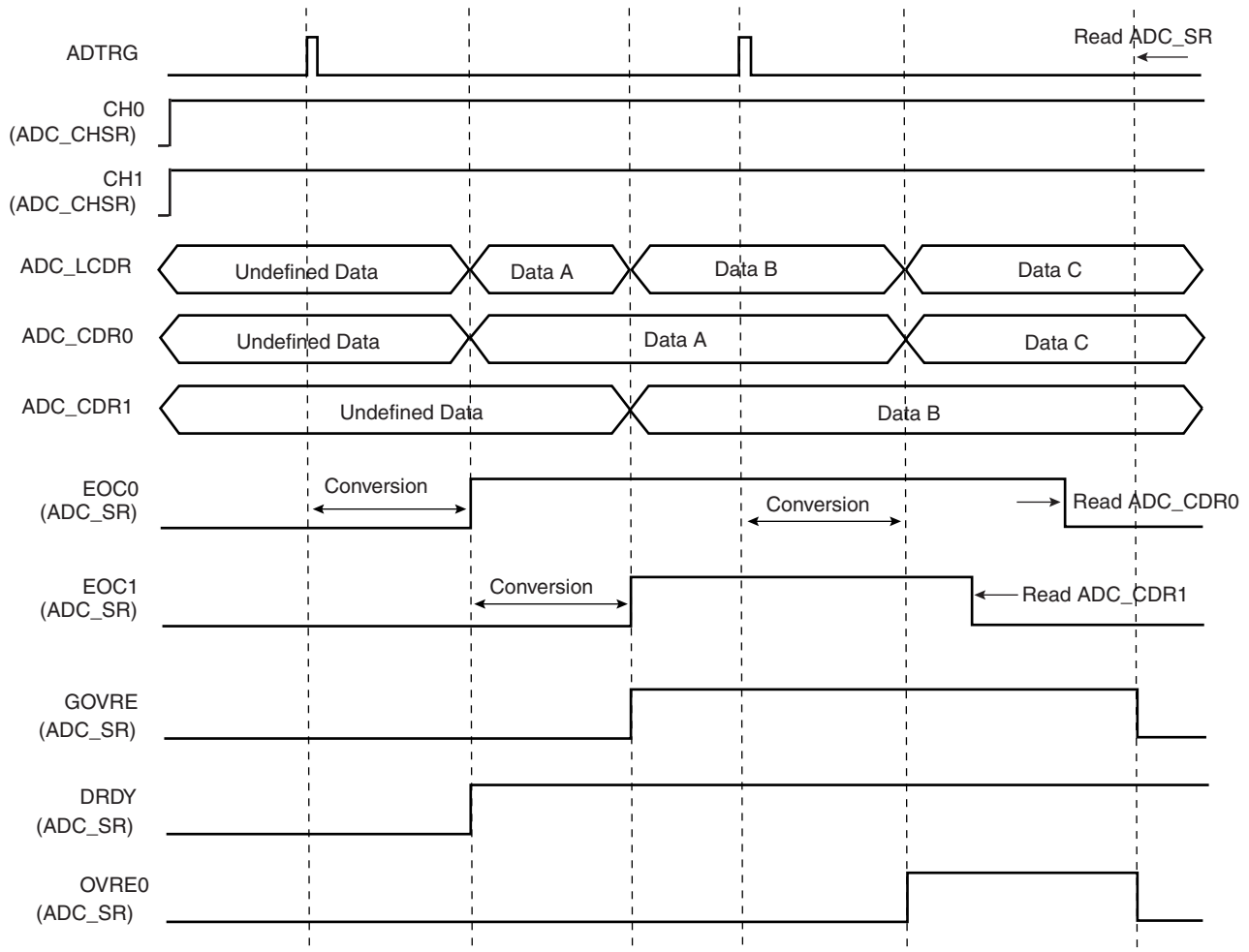
If the ADC\_CDR is not read before further incoming data is converted, the corresponding Overrun Error (OVRE) flag is set in the Status Register (ADC\_SR).

In the same way, new data converted when DRDY is high sets the bit GOVRE (General Overrun Error) in ADC\_SR.

The OVRE and GOVRE flags are automatically cleared when ADC\_SR is read.



**Figure 36-3.** GOVRE and OVREx Flag Behavior



**Warning:** If the corresponding channel is disabled during a conversion or if it is disabled and then reenabled during a conversion, its associated data and its corresponding EOC and OVRE flags in ADC\_SR are unpredictable.

### 36.5.5 Conversion Triggers

Conversions of the active analog channels are started with a software or a hardware trigger. The software trigger is provided by writing the Control Register (ADC\_CR) with the bit START at 1.

The hardware trigger can be one of the TIOA outputs of the Timer Counter channels, or the external trigger input of the ADC (ADTRG). The hardware trigger is selected with the field TRGSEL in the Mode Register (ADC\_MR). The selected hardware trigger is enabled with the bit TRGEN in the Mode Register (ADC\_MR).

If a hardware trigger is selected, the start of a conversion is detected at each rising edge of the selected signal. If one of the TIOA outputs is selected, the corresponding Timer Counter channel must be programmed in Waveform Mode.

Only one start command is necessary to initiate a conversion sequence on all the channels. The ADC hardware logic automatically performs the conversions on the active channels, then waits

for a new request. The Channel Enable (ADC\_CHER) and Channel Disable (ADC\_CHDR) Registers enable the analog channels to be enabled or disabled independently.

If the ADC is used with a PDC, only the transfers of converted data from enabled channels are performed and the resulting data buffers should be interpreted accordingly.

**Warning:** Enabling hardware triggers does not disable the software trigger functionality. Thus, if a hardware trigger is selected, the start of a conversion can be initiated either by the hardware or the software trigger.

### 36.5.6 Sleep Mode and Conversion Sequencer

The ADC Sleep Mode maximizes power saving by automatically deactivating the ADC when it is not being used for conversions. Sleep Mode is selected by setting the bit SLEEP in the Mode Register ADC\_MR.

The SLEEP mode is automatically managed by a conversion sequencer, which can automatically process the conversions of all channels at lowest power consumption.

When a start conversion request occurs, the ADC is automatically activated. As the analog cell requires a start-up time, the logic waits during this time and starts the conversion on the enabled channels. When all conversions are complete, the ADC is deactivated until the next trigger. Triggers occurring during the sequence are not taken into account.

The conversion sequencer allows automatic processing with minimum processor intervention and optimized power consumption. Conversion sequences can be performed periodically using a Timer/Counter output. The periodic acquisition of several samples can be processed automatically without any intervention of the processor thanks to the PDC.

Note: The reference voltage pins always remain connected in normal mode as in sleep mode.

### 36.5.7 ADC Timings

Each ADC has its own minimal Startup Time that is programmed through the field STARTUP in the Mode Register ADC\_MR.

In the same way, a minimal Sample and Hold Time is necessary for the ADC to guarantee the best converted final value between two channels selection. This time has to be programmed through the bitfield SHTIM in the Mode Register ADC\_MR.

**Warning:** No input buffer amplifier to isolate the source is included in the ADC. This must be taken into consideration to program a precise value in the SHTIM field. See the section DC Characteristics in the product datasheet.

## 36.6 Analog-to-digital Converter (ADC) User Interface

**Table 36-2.** Analog-to-Digital Converter (ADC) Register Mapping

| Offset      | Register                     | Name     | Access     | Reset State |
|-------------|------------------------------|----------|------------|-------------|
| 0x00        | Control Register             | ADC_CR   | Write-only | –           |
| 0x04        | Mode Register                | ADC_MR   | Read/Write | 0x00000000  |
| 0x08        | Reserved                     | –        | –          | –           |
| 0x0C        | Reserved                     | –        | –          | –           |
| 0x10        | Channel Enable Register      | ADC_CHER | Write-only | –           |
| 0x14        | Channel Disable Register     | ADC_CHDR | Write-only | –           |
| 0x18        | Channel Status Register      | ADC_CHSR | Read-only  | 0x00000000  |
| 0x1C        | Status Register              | ADC_SR   | Read-only  | 0x000C0000  |
| 0x20        | Last Converted Data Register | ADC_LCDR | Read-only  | 0x00000000  |
| 0x24        | Interrupt Enable Register    | ADC_IER  | Write-only | –           |
| 0x28        | Interrupt Disable Register   | ADC_IDR  | Write-only | –           |
| 0x2C        | Interrupt Mask Register      | ADC_IMR  | Read-only  | 0x00000000  |
| 0x30        | Channel Data Register 0      | ADC_CDR0 | Read-only  | 0x00000000  |
| 0x34        | Channel Data Register 1      | ADC_CDR1 | Read-only  | 0x00000000  |
| 0x38        | Channel Data Register 2      | ADC_CDR2 | Read-only  | 0x00000000  |
| 0x3C        | Channel Data Register 3      | ADC_CDR3 | Read-only  | 0x00000000  |
| 0x40        | Channel Data Register 4      | ADC_CDR4 | Read-only  | 0x00000000  |
| 0x44        | Channel Data Register 5      | ADC_CDR5 | Read-only  | 0x00000000  |
| 0x48        | Channel Data Register 6      | ADC_CDR6 | Read-only  | 0x00000000  |
| 0x4C        | Channel Data Register 7      | ADC_CDR7 | Read-only  | 0x00000000  |
| 0x50 - 0xFC | Reserved                     | –        | –          | –           |

### 36.6.1 ADC Control Register

**Register Name:** ADC\_CR

**Access Type:** Write-only

|    |    |    |    |    |    |       |       |
|----|----|----|----|----|----|-------|-------|
| 31 | 30 | 29 | 28 | 27 | 26 | 25    | 24    |
| –  | –  | –  | –  | –  | –  | –     | –     |
| 23 | 22 | 21 | 20 | 19 | 18 | 17    | 16    |
| –  | –  | –  | –  | –  | –  | –     | –     |
| 15 | 14 | 13 | 12 | 11 | 10 | 9     | 8     |
| –  | –  | –  | –  | –  | –  | –     | –     |
| 7  | 6  | 5  | 4  | 3  | 2  | 1     | 0     |
| –  | –  | –  | –  | –  | –  | START | SWRST |

- **SWRST: Software Reset**

0 = No effect.

1 = Resets the ADC simulating a hardware reset.

- **START: Start Conversion**

0 = No effect.

1 = Begins analog-to-digital conversion.

## 36.6.2 ADC Mode Register

**Register Name:** ADC\_MR

**Access Type:** Read/Write

|    |    |         |         |        |    |    |       |   |
|----|----|---------|---------|--------|----|----|-------|---|
| 31 | 30 | 29      | 28      | 27     | 26 | 25 | 24    |   |
| –  | –  | –       | –       | SHTIM  |    |    |       |   |
| 23 | 22 | 21      | 20      | 19     | 18 | 17 | 16    |   |
| –  | –  | –       | STARTUP |        |    |    |       | – |
| 15 | 14 | 13      | 12      | 11     | 10 | 9  | 8     |   |
| –  | –  | PRESCAL |         |        |    |    |       | – |
| 7  | 6  | 5       | 4       | 3      | 2  | 1  | 0     |   |
| –  | –  | SLEEP   | LOWRES  | TRGSEL |    |    | TRGEN |   |

- **TRGEN: Trigger Enable**

| TRGEN | Selected TRGEN  |
|-------|---|
| 0     | Hardware triggers are disabled. Starting a conversion is only possible by software. |
| 1     | Hardware trigger selected by TRGSEL field is enabled.                               |

- **TRGSEL: Trigger Selection**

| TRGSEL |   |   | Selected TRGSEL   |
|--------|---|---|---|
| 0      | 0 | 0 | TIOA Ouput of the Timer Counter Channel 0                           |
| 0      | 0 | 1 | TIOA Ouput of the Timer Counter Channel 1                           |
| 0      | 1 | 0 | TIOA Ouput of the Timer Counter Channel 2 (Reserved on AT91SAM7S32) |
| 0      | 1 | 1 | Reserved  |
| 1      | 0 | 0 | Reserved  |
| 1      | 0 | 1 | Reserved  |
| 1      | 1 | 0 | External trigger  |
| 1      | 1 | 1 | Reserved  |

- **LOWRES: Resolution**

| LOWRES | Selected Resolution |
|--------|---------------------|
| 0      | 10-bit resolution   |
| 1      | 8-bit resolution    |

- **SLEEP: Sleep Mode**

| SLEEP | Selected Mode |
|-------|---------------|
| 0     | Normal Mode   |
| 1     | Sleep Mode    |



- **PRESCAL: Prescaler Rate Selection**

$$\text{ADCClock} = \text{MCK} / ( (\text{PRESCAL} + 1) * 2 )$$

- **STARTUP: Start Up Time**

$$\text{Startup Time} = (\text{STARTUP} + 1) * 8 / \text{ADCClock}$$

- **SHTIM: Sample & Hold Time**

$$\text{Sample \& Hold Time} = (\text{SHTIM} + 1) / \text{ADCClock}$$

## 36.6.3 ADC Channel Enable Register

**Register Name:** ADC\_CHER

**Access Type:** Write-only

|     |     |     |     |     |     |     |     |
|-----|-----|-----|-----|-----|-----|-----|-----|
| 31  | 30  | 29  | 28  | 27  | 26  | 25  | 24  |
| –   | –   | –   | –   | –   | –   | –   | –   |
| 23  | 22  | 21  | 20  | 19  | 18  | 17  | 16  |
| –   | –   | –   | –   | –   | –   | –   | –   |
| 15  | 14  | 13  | 12  | 11  | 10  | 9   | 8   |
| –   | –   | –   | –   | –   | –   | –   | –   |
| 7   | 6   | 5   | 4   | 3   | 2   | 1   | 0   |
| CH7 | CH6 | CH5 | CH4 | CH3 | CH2 | CH1 | CH0 |

- **CHx: Channel x Enable**

0 = No effect.

1 = Enables the corresponding channel.

## 36.6.4 ADC Channel Disable Register

**Register Name:** ADC\_CHDR

**Access Type:** Write-only

|     |     |     |     |     |     |     |     |
|-----|-----|-----|-----|-----|-----|-----|-----|
| 31  | 30  | 29  | 28  | 27  | 26  | 25  | 24  |
| –   | –   | –   | –   | –   | –   | –   | –   |
| 23  | 22  | 21  | 20  | 19  | 18  | 17  | 16  |
| –   | –   | –   | –   | –   | –   | –   | –   |
| 15  | 14  | 13  | 12  | 11  | 10  | 9   | 8   |
| –   | –   | –   | –   | –   | –   | –   | –   |
| 7   | 6   | 5   | 4   | 3   | 2   | 1   | 0   |
| CH7 | CH6 | CH5 | CH4 | CH3 | CH2 | CH1 | CH0 |

- **CHx: Channel x Disable**

0 = No effect.

1 = Disables the corresponding channel.

**Warning:** If the corresponding channel is disabled during a conversion or if it is disabled then reenabled during a conversion, its associated data and its corresponding EOC and OVRE flags in ADC\_SR are unpredictable.



### 36.6.5 ADC Channel Status Register

Register Name: ADC\_CHSR

Access Type: Read-only

|     |     |     |     |     |     |     |     |
|-----|-----|-----|-----|-----|-----|-----|-----|
| 31  | 30  | 29  | 28  | 27  | 26  | 25  | 24  |
| –   | –   | –   | –   | –   | –   | –   | –   |
| 23  | 22  | 21  | 20  | 19  | 18  | 17  | 16  |
| –   | –   | –   | –   | –   | –   | –   | –   |
| 15  | 14  | 13  | 12  | 11  | 10  | 9   | 8   |
| –   | –   | –   | –   | –   | –   | –   | –   |
| 7   | 6   | 5   | 4   | 3   | 2   | 1   | 0   |
| CH7 | CH6 | CH5 | CH4 | CH3 | CH2 | CH1 | CH0 |

- **CHx: Channel x Status**

0 = Corresponding channel is disabled.

1 = Corresponding channel is enabled.



## 36.6.6 ADC Status Register

**Register Name:** ADC\_SR

**Access Type:** Read-only

|       |       |       |       |        |       |       |       |
|-------|-------|-------|-------|--------|-------|-------|-------|
| 31    | 30    | 29    | 28    | 27     | 26    | 25    | 24    |
| –     | –     | –     | –     | –      | –     | –     | –     |
| 23    | 22    | 21    | 20    | 19     | 18    | 17    | 16    |
| –     | –     | –     | –     | RXBUFF | ENDRX | GOVRE | DRDY  |
| 15    | 14    | 13    | 12    | 11     | 10    | 9     | 8     |
| OVRE7 | OVRE6 | OVRE5 | OVRE4 | OVRE3  | OVRE2 | OVRE1 | OVRE0 |
| 7     | 6     | 5     | 4     | 3      | 2     | 1     | 0     |
| EOC7  | EOC6  | EOC5  | EOC4  | EOC3   | EOC2  | EOC1  | EOC0  |

- **EOCx: End of Conversion x**

0 = Corresponding analog channel is disabled, or the conversion is not finished.

1 = Corresponding analog channel is enabled and conversion is complete.

- **OVREx: Overrun Error x**

0 = No overrun error on the corresponding channel since the last read of ADC\_SR.

1 = There has been an overrun error on the corresponding channel since the last read of ADC\_SR.

- **DRDY: Data Ready**

0 = No data has been converted since the last read of ADC\_LCDR.

1 = At least one data has been converted and is available in ADC\_LCDR.

- **GOVRE: General Overrun Error**

0 = No General Overrun Error occurred since the last read of ADC\_SR.

1 = At least one General Overrun Error has occurred since the last read of ADC\_SR.

- **ENDRX: End of RX Buffer**

0 = The Receive Counter Register has not reached 0 since the last write in ADC\_RCR or ADC\_RNCR.

1 = The Receive Counter Register has reached 0 since the last write in ADC\_RCR or ADC\_RNCR.

- **RXBUFF: RX Buffer Full**

0 = ADC\_RCR or ADC\_RNCR have a value other than 0.

1 = Both ADC\_RCR and ADC\_RNCR have a value of 0.

### 36.6.7 ADC Last Converted Data Register

**Register Name:** ADC\_LCDR

**Access Type:** Read-only

|       |    |    |    |    |    |       |    |
|-------|----|----|----|----|----|-------|----|
| 31    | 30 | 29 | 28 | 27 | 26 | 25    | 24 |
| –     | –  | –  | –  | –  | –  | –     | –  |
| 23    | 22 | 21 | 20 | 19 | 18 | 17    | 16 |
| –     | –  | –  | –  | –  | –  | –     | –  |
| 15    | 14 | 13 | 12 | 11 | 10 | 9     | 8  |
| –     | –  | –  | –  | –  | –  | LDATA |    |
| 7     | 6  | 5  | 4  | 3  | 2  | 1     | 0  |
| LDATA |    |    |    |    |    |       |    |

- **LDATA: Last Data Converted**

The analog-to-digital conversion data is placed into this register at the end of a conversion and remains until a new conversion is completed.

### 36.6.8 ADC Interrupt Enable Register

**Register Name:** ADC\_IER

**Access Type:** Write-only

|       |       |       |       |        |       |       |       |
|-------|-------|-------|-------|--------|-------|-------|-------|
| 31    | 30    | 29    | 28    | 27     | 26    | 25    | 24    |
| –     | –     | –     | –     | –      | –     | –     | –     |
| 23    | 22    | 21    | 20    | 19     | 18    | 17    | 16    |
| –     | –     | –     | –     | RXBUFF | ENDRX | GOVRE | DRDY  |
| 15    | 14    | 13    | 12    | 11     | 10    | 9     | 8     |
| OVRE7 | OVRE6 | OVRE5 | OVRE4 | OVRE3  | OVRE2 | OVRE1 | OVRE0 |
| 7     | 6     | 5     | 4     | 3      | 2     | 1     | 0     |
| EOC7  | EOC6  | EOC5  | EOC4  | EOC3   | EOC2  | EOC1  | EOC0  |

- **EOCx: End of Conversion Interrupt Enable x**
- **OVREx: Overrun Error Interrupt Enable x**
- **DRDY: Data Ready Interrupt Enable**
- **GOVRE: General Overrun Error Interrupt Enable**
- **ENDRX: End of Receive Buffer Interrupt Enable**
- **RXBUFF: Receive Buffer Full Interrupt Enable**

0 = No effect.

1 = Enables the corresponding interrupt.

## 36.6.9 ADC Interrupt Disable Register

**Register Name:** ADC\_IDR

**Access Type:** Write-only

|       |       |       |       |        |       |       |       |
|-------|-------|-------|-------|--------|-------|-------|-------|
| 31    | 30    | 29    | 28    | 27     | 26    | 25    | 24    |
| –     | –     | –     | –     | –      | –     | –     | –     |
| 23    | 22    | 21    | 20    | 19     | 18    | 17    | 16    |
| –     | –     | –     | –     | RXBUFF | ENDRX | GOVRE | DRDY  |
| 15    | 14    | 13    | 12    | 11     | 10    | 9     | 8     |
| OVRE7 | OVRE6 | OVRE5 | OVRE4 | OVRE3  | OVRE2 | OVRE1 | OVRE0 |
| 7     | 6     | 5     | 4     | 3      | 2     | 1     | 0     |
| EOC7  | EOC6  | EOC5  | EOC4  | EOC3   | EOC2  | EOC1  | EOC0  |

- **EOCx:** End of Conversion Interrupt Disable x
- **OVREx:** Overrun Error Interrupt Disable x
- **DRDY:** Data Ready Interrupt Disable
- **GOVRE:** General Overrun Error Interrupt Disable
- **ENDRX:** End of Receive Buffer Interrupt Disable
- **RXBUFF:** Receive Buffer Full Interrupt Disable

0 = No effect.

1 = Disables the corresponding interrupt.

### 36.6.10 ADC Interrupt Mask Register

**Register Name:** ADC\_IMR

**Access Type:** Read-only

|       |       |       |       |        |       |       |       |
|-------|-------|-------|-------|--------|-------|-------|-------|
| 31    | 30    | 29    | 28    | 27     | 26    | 25    | 24    |
| –     | –     | –     | –     | –      | –     | –     | –     |
| 23    | 22    | 21    | 20    | 19     | 18    | 17    | 16    |
| –     | –     | –     | –     | RXBUFF | ENDRX | GOVRE | DRDY  |
| 15    | 14    | 13    | 12    | 11     | 10    | 9     | 8     |
| OVRE7 | OVRE6 | OVRE5 | OVRE4 | OVRE3  | OVRE2 | OVRE1 | OVRE0 |
| 7     | 6     | 5     | 4     | 3      | 2     | 1     | 0     |
| EOC7  | EOC6  | EOC5  | EOC4  | EOC3   | EOC2  | EOC1  | EOC0  |

- **EOCx:** End of Conversion Interrupt Mask x
- **OVREx:** Overrun Error Interrupt Mask x
- **DRDY:** Data Ready Interrupt Mask
- **GOVRE:** General Overrun Error Interrupt Mask
- **ENDRX:** End of Receive Buffer Interrupt Mask
- **RXBUFF:** Receive Buffer Full Interrupt Mask

0 = The corresponding interrupt is disabled.

1 = The corresponding interrupt is enabled.

### 36.6.11 ADC Channel Data Register

**Register Name:** ADC\_CDRx

**Access Type:** Read-only

|      |    |    |    |    |    |      |    |
|------|----|----|----|----|----|------|----|
| 31   | 30 | 29 | 28 | 27 | 26 | 25   | 24 |
| –    | –  | –  | –  | –  | –  | –    | –  |
| 23   | 22 | 21 | 20 | 19 | 18 | 17   | 16 |
| –    | –  | –  | –  | –  | –  | –    | –  |
| 15   | 14 | 13 | 12 | 11 | 10 | 9    | 8  |
| –    | –  | –  | –  | –  | –  | DATA |    |
| 7    | 6  | 5  | 4  | 3  | 2  | 1    | 0  |
| DATA |    |    |    |    |    |      |    |

- **DATA:** Converted Data

The analog-to-digital conversion data is placed into this register at the end of a conversion and remains until a new conversion is completed. The Convert Data Register (CDR) is only loaded if the corresponding analog channel is enabled.

## **37. Controller Area Network (CAN)**

### **37.1 Description**

The CAN controller provides all the features required to implement the serial communication protocol CAN defined by Robert Bosch GmbH, the CAN specification as referred to by ISO/11898A (2.0 Part A and 2.0 Part B) for high speeds and ISO/11519-2 for low speeds. The CAN Controller is able to handle all types of frames (Data, Remote, Error and Overload) and achieves a bitrate of 1 Mbit/sec.

CAN controller accesses are made through configuration registers. 8 independent message objects (mailboxes) are implemented.

Any mailbox can be programmed as a reception buffer block (even non-consecutive buffers). For the reception of defined messages, one or several message objects can be masked without participating in the buffer feature. An interrupt is generated when the buffer is full. According to the mailbox configuration, the first message received can be locked in the CAN controller registers until the application acknowledges it, or this message can be discarded by new received messages.

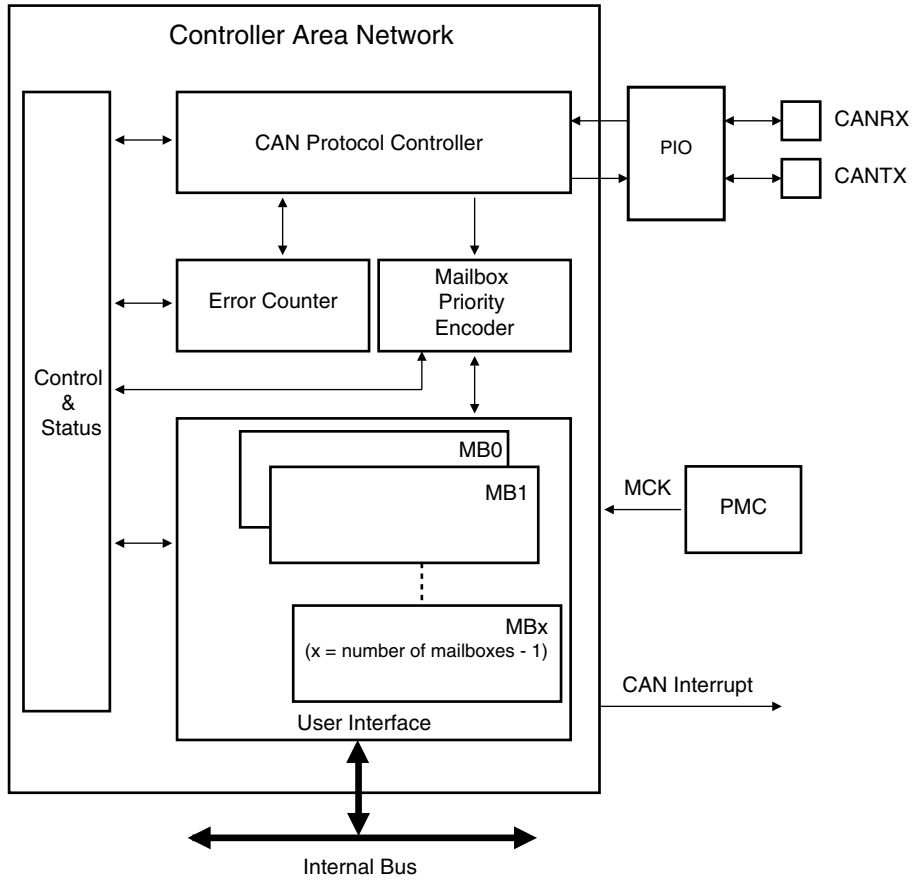
Any mailbox can be programmed for transmission. Several transmission mailboxes can be enabled in the same time. A priority can be defined for each mailbox independently.

An internal 16-bit timer is used to stamp each received and sent message. This timer starts counting as soon as the CAN controller is enabled. This counter can be reset by the application or automatically after a reception in the last mailbox in Time Triggered Mode.

The CAN controller offers optimized features to support the Time Triggered Communication (TTC) protocol.

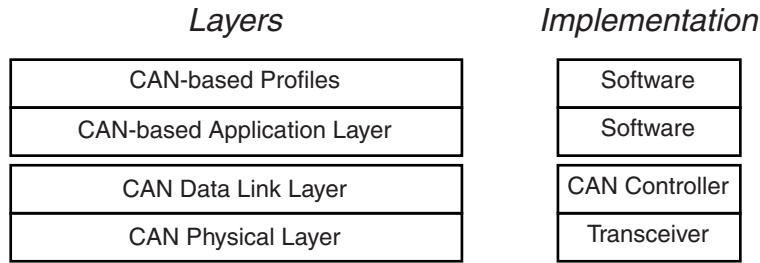
## 37.2 Block Diagram

Figure 37-1. CAN Block Diagram



## 37.3 Application Block Diagram

Figure 37-2. Application Block Diagram



## 37.4 I/O Lines Description

Table 37-1. I/O Lines Description

| Name  | Description              | Type   |
|-------|--------------------------|--------|
| CANRX | CAN Receive Serial Data  | Input  |
| CANTX | CAN Transmit Serial Data | Output |

## 37.5 Product Dependencies

### 37.5.1 I/O Lines

The pins used for interfacing the CAN may be multiplexed with the PIO lines. The programmer must first program the PIO controller to assign the desired CAN pins to their peripheral function. If I/O lines of the CAN are not used by the application, they can be used for other purposes by the PIO Controller.

### 37.5.2 Power Management

The programmer must first enable the CAN clock in the Power Management Controller (PMC) before using the CAN.

A Low-power Mode is defined for the CAN controller: If the application does not require CAN operations, the CAN clock can be stopped when not needed and be restarted later. Before stopping the clock, the CAN Controller must be in Low-power Mode to complete the current transfer. After restarting the clock, the application must disable the Low-power Mode of the CAN controller.

### 37.5.3 Interrupt

The CAN interrupt line is connected on one of the internal sources of the Advanced Interrupt Controller. Using the CAN interrupt requires the AIC to be programmed first. Note that it is not recommended to use the CAN interrupt line in edge-sensitive mode.

## 37.6 CAN Controller Features

### 37.6.1 CAN Protocol Overview

The Controller Area Network (CAN) is a multi-master serial communication protocol that efficiently supports real-time control with a very high level of security with bit rates up to 1 Mbit/s.

The CAN protocol supports four different frame types:

- Data frames: They carry data from a transmitter node to the receiver nodes. The overall maximum data frame length is 108 bits for a standard frame and 128 bits for an extended frame.
- Remote frames: A destination node can request data from the source by sending a remote frame with an identifier that matches the identifier of the required data frame. The appropriate data source node then sends a data frame as a response to this node request.
- Error frames: An error frame is generated by any node that detects a bus error.
- Overload frames: They provide an extra delay between the preceding and the successive data frames or remote frames.

The Atmel CAN controller provides the CPU with full functionality of the CAN protocol V2.0 Part A and V2.0 Part B. It minimizes the CPU load in communication overhead. The Data Link Layer and part of the physical layer are automatically handled by the CAN controller itself.

The CPU reads or writes data or messages via the CAN controller mailboxes. An identifier is assigned to each mailbox. The CAN controller encapsulates or decodes data messages to build or to decode bus data frames. Remote frames, error frames and overload frames are automatically handled by the CAN controller under supervision of the software application.

### 37.6.2 Mailbox Organization

The CAN module has 8 buffers, also called channels or mailboxes. An identifier that corresponds to the CAN identifier is defined for each active mailbox. Message identifiers can match the standard frame identifier or the extended frame identifier. This identifier is defined for the first time during the CAN initialization, but can be dynamically reconfigured later so that the mailbox can handle a new message family. Several mailboxes can be configured with the same ID.

Each mailbox can be configured in receive or in transmit mode independently. The mailbox object type is defined in the MOT field of the CAN\_MMRx register.

#### 37.6.2.1 Message Acceptance Procedure

If the MIDE field in the CAN\_MIDx register is set, the mailbox can handle the extended format identifier; otherwise, the mailbox handles the standard format identifier. Once a new message is received, its ID is masked with the CAN\_MAMx value and compared with the CAN\_MIDx value. If accepted, the message ID is copied to the CAN\_MIDx register.





## 37.6.2.2 Receive Mailbox

When the CAN module receives a message, it looks for the first available mailbox with the lowest number and compares the received message ID with the mailbox ID. If such a mailbox is found, then the message is stored in its data registers. Depending on the configuration, the mailbox is disabled as long as the message has not been acknowledged by the application (Receive only), or, if new messages with the same ID are received, then they overwrite the previous ones (Receive with overwrite).

It is also possible to configure a mailbox in Consumer Mode. In this mode, after each transfer request, a remote frame is automatically sent. The first answer received is stored in the corresponding mailbox data registers.

Several mailboxes can be chained to receive a buffer. They must be configured with the same ID in Receive Mode, except for the last one, which can be configured in Receive with Overwrite Mode. The last mailbox can be used to detect a buffer overflow.

| Mailbox Object Type    | Description   |
|------------------------|---|
| Receive                | The first message received is stored in mailbox data registers. Data remain available until the next transfer request.  |
| Receive with overwrite | The last message received is stored in mailbox data register. The next message always overwrites the previous one. The application has to check whether a new message has not overwritten the current one while reading the data registers. |
| Consumer               | A remote frame is sent by the mailbox. The answer received is stored in mailbox data register. This extends Receive mailbox features. Data remain available until the next transfer request.  |

## 37.6.2.3 Transmit Mailbox

When transmitting a message, the message length and data are written to the transmit mailbox with the correct identifier. For each transmit mailbox, a priority is assigned. The controller automatically sends the message with the highest priority first (set with the field PRIOR in CAN\_MMRx register).

It is also possible to configure a mailbox in Producer Mode. In this mode, when a remote frame is received, the mailbox data are sent automatically. By enabling this mode, a producer can be done using only one mailbox instead of two: one to detect the remote frame and one to send the answer.

| Mailbox Object Type | Description  |
|---------------------|--|
| Transmit            | The message stored in the mailbox data registers will try to win the bus arbitration immediately or later according to or not the Time Management Unit configuration (see <a href="#">Section 37.6.3</a> ). The application is notified that the message has been sent or aborted. |
| Producer            | The message prepared in the mailbox data registers will be sent after receiving the next remote frame. This extends transmit mailbox features.   |

## 37.6.3 Time Management Unit

The CAN Controller integrates a free-running 16-bit internal timer. The counter is driven by the bit clock of the CAN bus line. It is enabled when the CAN controller is enabled (CANEN set in the CAN\_MR register). It is automatically cleared in the following cases:

- after a reset
- when the CAN controller is in Low-power Mode is enabled (LPM bit set in the CAN\_MR and SLEEP bit set in the CAN\_SR)
- after a reset of the CAN controller (CANEN bit in the CAN\_MR register)
- in Time-triggered Mode, when a message is accepted by the last mailbox (rising edge of the MRDY signal in the CAN\_MSR<sub>last\_mailbox\_number</sub> register).

The application can also reset the internal timer by setting TIMRST in the CAN\_TCR register. The current value of the internal timer is always accessible by reading the CAN\_TIM register.

When the timer rolls-over from FFFFh to 0000h, TOVF (Timer Overflow) signal in the CAN\_SR register is set. TOVF bit in the CAN\_SR register is cleared by reading the CAN\_SR register. Depending on the corresponding interrupt mask in the CAN\_IMR register, an interrupt is generated while TOVF is set.

In a CAN network, some CAN devices may have a larger counter. In this case, the application can also decide to freeze the internal counter when the timer reaches FFFFh and to wait for a restart condition from another device. This feature is enabled by setting TIMFRZ in the CAN\_MR register. The CAN\_TIM register is frozen to the FFFFh value. A clear condition described above restarts the timer. A timer overflow (TOVF) interrupt is triggered.

To monitor the CAN bus activity, the CAN\_TIM register is copied to the CAN\_TIMESTP register after each start of frame or end of frame and a TSTP interrupt is triggered. If TEOF bit in the CAN\_MR register is set, the value is captured at each End Of Frame, else it is captured at each Start Of Frame. Depending on the corresponding mask in the CAN\_IMR register, an interrupt is generated while TSTP is set in the CAN\_SR. TSTP bit is cleared by reading the CAN\_SR register.

The time management unit can operate in one of the two following modes:

- Timestamping mode: The value of the internal timer is captured at each Start Of Frame or each End Of Frame
- Time Triggered mode: A mailbox transfer operation is triggered when the internal timer reaches the mailbox trigger.

Timestamping Mode is enabled by clearing TTM field in the CAN\_MR register. Time Triggered Mode is enabled by setting TTM field in the CAN\_MR register.

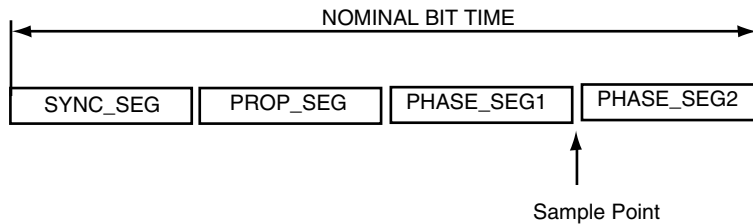
## 37.6.4 CAN 2.0 Standard Features

### 37.6.4.1 CAN Bit Timing Configuration

All controllers on a CAN bus must have the same bit rate and bit length. At different clock frequencies of the individual controllers, the bit rate has to be adjusted by the time segments.

The CAN protocol specification partitions the nominal bit time into four different segments:

**Figure 37-4.** Partition of the CAN Bit Time



#### TIME QUANTUM:

The TIME QUANTUM (TQ) is a fixed unit of time derived from the MCK period. The total number of TIME QUANTA in a bit time is programmable from 8 to 25.

**SYNC SEG:** SYNChronization Segment.

This part of the bit time is used to synchronize the various nodes on the bus. An edge is expected to lie within this segment. It is 1 TQ long.

**PROP SEG:** PROPagation Segment.

This part of the bit time is used to compensate for the physical delay times within the network. It is twice the sum of the signal's propagation time on the bus line, the input comparator delay, and the output driver delay. It is programmable to be 1,2,..., 8 TQ long.

This parameter is defined in the PROPAG field of the ["CAN Baudrate Register"](#).

**PHASE SEG1, PHASE SEG2:** PHASE Segment 1 and 2.

The Phase-Buffer-Segments are used to compensate for edge phase errors. These segments can be lengthened (PHASE SEG1) or shortened (PHASE SEG2) by resynchronization.

Phase Segment 1 is programmable to be 1,2,..., 8 TQ long.

Phase Segment 2 length has to be at least as long as the Information Processing Time (IPT) and may not be more than the length of Phase Segment 1.

These parameters are defined in the PHASE1 and PHASE2 fields of the ["CAN Baudrate Register"](#).

#### INFORMATION PROCESSING TIME:

The Information Processing Time (IPT) is the time required for the logic to determine the bit level of a sampled bit. The IPT begins at the sample point, is measured in TQ and **is fixed at 2 TQ for the Atmel CAN**. Since Phase Segment 2 also begins at the sample point and is the last segment in the bit time, PHASE SEG2 shall not be less than the IPT.

#### SAMPLE POINT:

The SAMPLE POINT is the point in time at which the bus level is read and interpreted as the value of that respective bit. Its location is at the end of PHASE\_SEG1.

SJW: ReSynchronization Jump Width.

The ReSynchronization Jump Width defines the limit to the amount of lengthening or shortening of the Phase Segments.

SJW is programmable to be the minimum of PHASE\_SEG1 and 4 TQ.

If the SMP field in the CAN\_BR register is set, then the incoming bit stream is sampled three times with a period of half a CAN clock period, centered on sample point.

In the CAN controller, the length of a bit on the CAN bus is determined by the parameters (BRP, PROPAG, PHASE1 and PHASE2).

$$t_{BIT} = t_{CSC} + t_{PRS} + t_{PHS1} + t_{PHS2}$$

The time quantum is calculated as follows:

$$t_{CSC} = (BRP + 1) / MCK$$

$$t_{PRS} = t_{CSC} \times (PROPAG + 1)$$

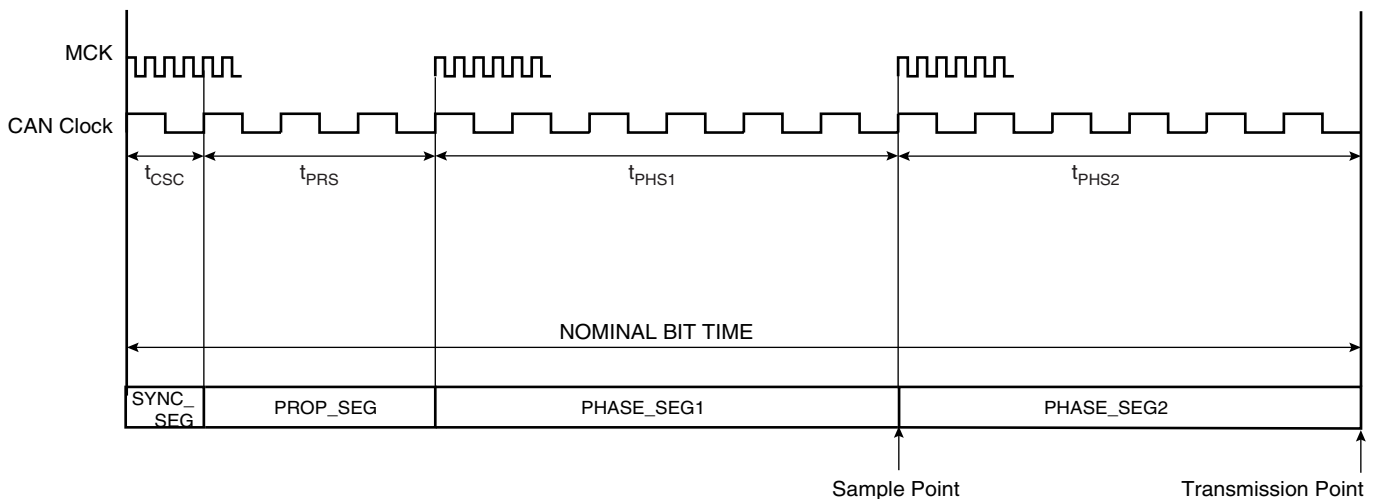
$$t_{PHS1} = t_{CSC} \times (PHASE1 + 1)$$

$$t_{PHS2} = t_{CSC} \times (PHASE2 + 1)$$

To compensate for phase shifts between clock oscillators of different controllers on the bus, the CAN controller must resynchronize on any relevant signal edge of the current transmission. The resynchronization shortens or lengthens the bit time so that the position of the sample point is shifted with regard to the detected edge. The resynchronization jump width (SJW) defines the maximum of time by which a bit period may be shortened or lengthened by resynchronization.

$$t_{SJW} = t_{CSC} \times (SJW + 1)$$

**Figure 37-5.** CAN Bit Timing



Example of bit timing determination for CAN baudrate of 500 Kbit/s:

$$MCK = 48MHz$$

$$CAN \text{ baudrate} = 500kbit/s \Rightarrow \text{bit time} = 2\mu s$$

Delay of the bus driver: 50 ns  
Delay of the receiver: 30ns  
Delay of the bus line (20m): 110ns

The total number of time quanta in a bit time must be comprised between 8 and 25. If we fix the bit time to 16 time quanta:

$T_{csc} = 1 \text{ time quanta} = \text{bit time} / 16 = 125 \text{ ns}$   
 $\Rightarrow \text{BRP} = (T_{csc} \times \text{MCK}) - 1 = 5$

The propagation segment time is equal to twice the sum of the signal's propagation time on the bus line, the receiver delay and the output driver delay:

$T_{prs} = 2 * (50+30+110) \text{ ns} = 380 \text{ ns} = 3 T_{csc}$   
 $\Rightarrow \text{PROPAG} = T_{prs}/T_{csc} - 1 = 2$

The remaining time for the two phase segments is:

$T_{phs1} + T_{phs2} = \text{bit time} - T_{csc} - T_{prs} = (16 - 1 - 3)T_{csc}$   
 $T_{phs1} + T_{phs2} = 12 T_{csc}$

Because this number is even, we choose  $T_{phs2} = T_{phs1}$  (else we would choose  $T_{phs2} = T_{phs1} + T_{csc}$ )

$T_{phs1} = T_{phs2} = (12/2) T_{csc} = 6 T_{csc}$   
 $\Rightarrow \text{PHASE1} = \text{PHASE2} = T_{phs1}/T_{csc} - 1 = 5$

The resynchronization jump width must be comprised between 1  $T_{csc}$  and the minimum of 4  $T_{csc}$  and  $T_{phs1}$ . We choose its maximum value:

$T_{sjw} = \text{Min}(4 T_{csc}, T_{phs1}) = 4 T_{csc}$   
 $\Rightarrow \text{SJW} = T_{sjw}/T_{csc} - 1 = 3$

Finally:  $\text{CAN\_BR} = 0x00053255$

## CAN Bus Synchronization

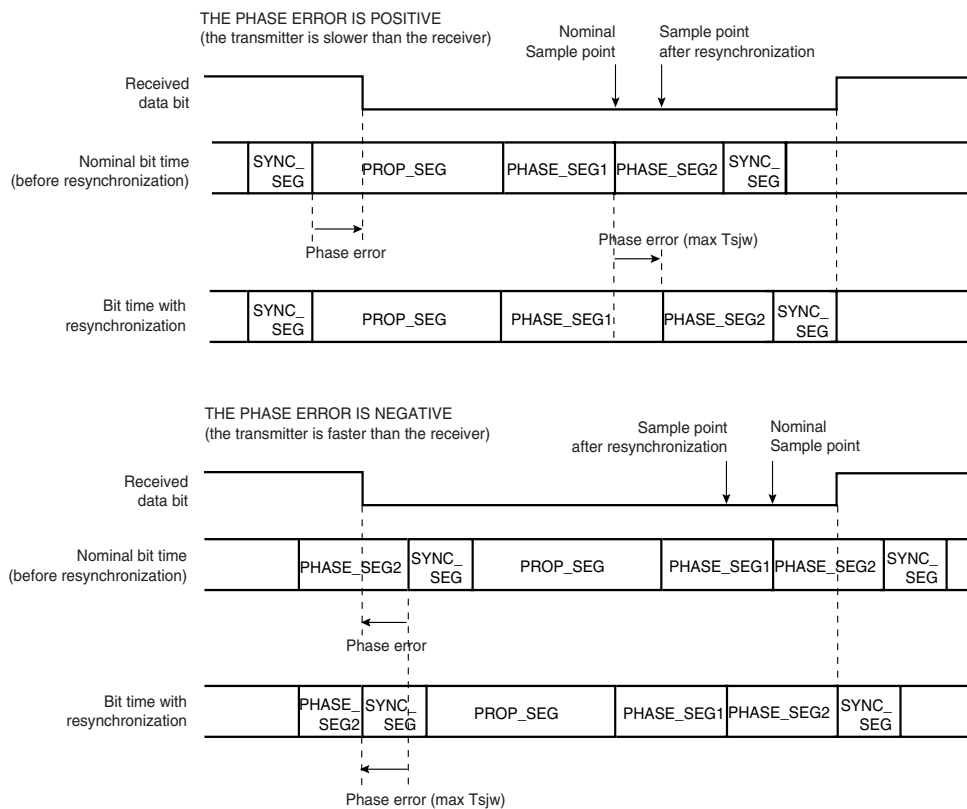
Two types of synchronization are distinguished: “hard synchronization” at the start of a frame and “resynchronization” inside a frame. After a hard synchronization, the bit time is restarted with the end of the SYNC\_SEG segment, regardless of the phase error. Resynchronization causes a reduction or increase in the bit time so that the position of the sample point is shifted with respect to the detected edge.

The effect of resynchronization is the same as that of hard synchronization when the magnitude of the phase error of the edge causing the resynchronization is less than or equal to the programmed value of the resynchronization jump width ( $t_{sjw}$ ).

When the magnitude of the phase error is larger than the resynchronization jump width and

- the phase error is positive, then PHASE\_SEG1 is lengthened by an amount equal to the resynchronization jump width.
- the phase error is negative, then PHASE\_SEG2 is shortened by an amount equal to the resynchronization jump width.

**Figure 37-6. CAN Resynchronization**



## Autobaud Mode

The autobaud feature is enabled by setting the ABM field in the CAN\_MR register. In this mode, the CAN controller is only listening to the line without acknowledging the received messages. It can not send any message. The errors flags are updated. The bit timing can be adjusted until no error occurs (good configuration found). In this mode, the error counters are frozen. To go back to the standard mode, the ABM bit must be cleared in the CAN\_MR register.

## 37.6.4.2 Error Detection

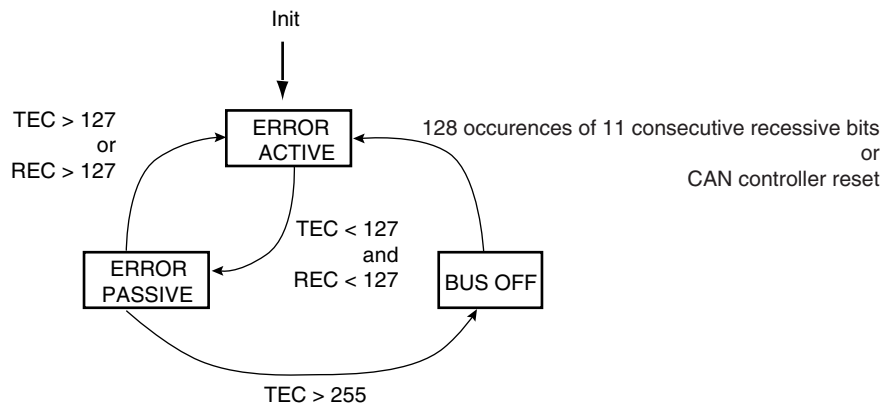
There are five different error types that are not mutually exclusive. Each error concerns only specific fields of the CAN data frame (refer to the Bosch CAN specification for their correspondence):

- CRC error (CERR bit in the CAN\_SR register): With the CRC, the transmitter calculates a checksum for the CRC bit sequence from the Start of Frame bit until the end of the Data Field. This CRC sequence is transmitted in the CRC field of the Data or Remote Frame.
- Bit-stuffing error (SERR bit in the CAN\_SR register): If a node detects a sixth consecutive equal bit level during the bit-stuffing area of a frame, it generates an Error Frame starting with the next bit-time.
- Bit error (BERR bit in CAN\_SR register): A bit error occurs if a transmitter sends a dominant bit but detects a recessive bit on the bus line, or if it sends a recessive bit but detects a dominant bit on the bus line. An error frame is generated and starts with the next bit time.
- Form Error (FERR bit in the CAN\_SR register): If a transmitter detects a dominant bit in one of the fix-formatted segments CRC Delimiter, ACK Delimiter or End of Frame, a form error has occurred and an error frame is generated.
- Acknowledgment error (AERR bit in the CAN\_SR register): The transmitter checks the Acknowledge Slot, which is transmitted by the transmitting node as a recessive bit, contains a dominant bit. If this is the case, at least one other node has received the frame correctly. If not, an Acknowledge Error has occurred and the transmitter will start in the next bit-time an Error Frame transmission.

### Fault Confinement

To distinguish between temporary and permanent failures, every CAN controller has two error counters: REC (Receive Error Counter) and TEC (Transmit Error Counter). The counters are incremented upon detected errors and respectively are decremented upon correct transmissions or receptions. Depending on the counter values, the state of the node changes: the initial state of the CAN controller is Error Active, meaning that the controller can send Error Active flags. The controller changes to the Error Passive state if there is an accumulation of errors. If the CAN controller fails or if there is an extreme accumulation of errors, there is a state transition to Bus Off.

**Figure 37-7.** Line Error Mode





An error active unit takes part in bus communication and sends an active error frame when the CAN controller detects an error.

An error passive unit cannot send an active error frame. It takes part in bus communication, but when an error is detected, a passive error frame is sent. Also, after a transmission, an error passive unit waits before initiating further transmission.

A bus off unit is not allowed to have any influence on the bus.

For fault confinement, two errors counters (TEC and REC) are implemented. These counters are accessible via the CAN\_ECR register. The state of the CAN controller is automatically updated according to these counter values. If the CAN controller is in Error Active state, then the ERRA bit is set in the CAN\_SR register. The corresponding interrupt is pending while the interrupt is not masked in the CAN\_IMR register. If the CAN controller is in Error Passive Mode, then the ERRP bit is set in the CAN\_SR register and an interrupt remains pending while the ERRP bit is set in the CAN\_IMR register. If the CAN is in Bus-off Mode, then the BOFF bit is set in the CAN\_SR register. As for ERRP and ERRA, an interrupt is pending while the BOFF bit is set in the CAN\_IMR register.

When one of the error counters values exceeds 96, an increased error rate is indicated to the controller through the WARN bit in CAN\_SR register, but the node remains error active. The corresponding interrupt is pending while the interrupt is set in the CAN\_IMR register.

Refer to the Bosch CAN specification v2.0 for details on fault confinement.

### 37.6.4.3 Overload

The overload frame is provided to request a delay of the next data or remote frame by the receiver node (“Request overload frame”) or to signal certain error conditions (“Reactive overload frame”) related to the intermission field respectively.

Reactive overload frames are transmitted after detection of the following error conditions:

- Detection of a dominant bit during the first two bits of the intermission field
- Detection of a dominant bit in the last bit of EOF by a receiver, or detection of a dominant bit by a receiver or a transmitter at the last bit of an error or overload frame delimiter

The CAN controller can generate a request overload frame automatically after each message sent to one of the CAN controller mailboxes. This feature is enabled by setting the OVL bit in the CAN\_MR register.

Reactive overload frames are automatically handled by the CAN controller even if the OVL bit in the CAN\_MR register is not set. An overload flag is generated in the same way as an error flag, but error counters do not increment.

### 37.6.5 Low-power Mode

In Low-power Mode, the CAN controller cannot send or receive messages. All mailboxes are inactive.

In Low-power Mode, the SLEEP signal in the CAN\_SR register is set; otherwise, the WAKEUP signal in the CAN\_SR register is set. These two fields are exclusive except after a CAN controller reset (WAKEUP and SLEEP are stuck at 0 after a reset). After power-up reset, the Low-power Mode is disabled and the WAKEUP bit is set in the CAN\_SR register only after detection of 11 consecutive recessive bits on the bus.

## 37.6.5.1 Enabling Low-power Mode

A software application can enable Low-power Mode by setting the LPM bit in the CAN\_MR global register. The CAN controller enters Low-power Mode once all pending transmit messages are sent.

When the CAN controller enters Low-power Mode, the SLEEP signal in the CAN\_SR register is set. Depending on the corresponding mask in the CAN\_IMR register, an interrupt is generated while SLEEP is set.

The SLEEP signal in the CAN\_SR register is automatically cleared once WAKEUP is set. The WAKEUP signal is automatically cleared once SLEEP is set.

Reception is disabled while the SLEEP signal is set to one in the CAN\_SR register. It is important to note that those messages with higher priority than the last message transmitted can be received between the LPM command and entry in Low-power Mode.

Once in Low-power Mode, the CAN controller clock can be switched off by programming the chip's Power Management Controller (PMC). The CAN controller drains only the static current.

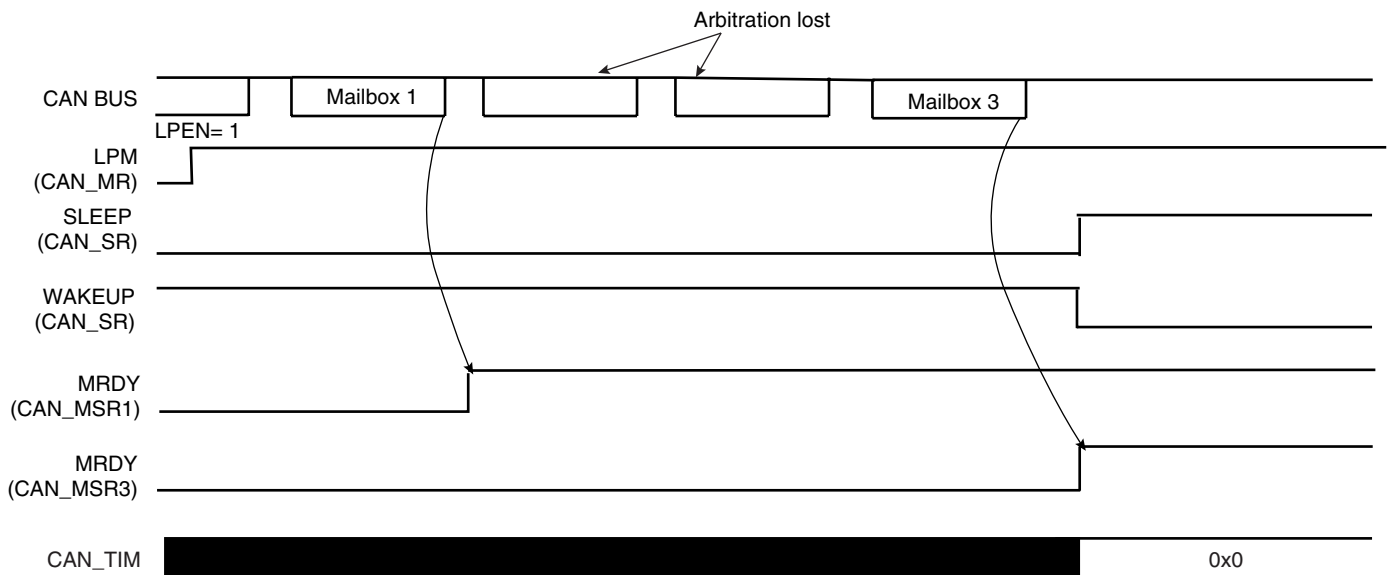
Error counters are disabled while the SLEEP signal is set to one.

Thus, to enter Low-power Mode, the software application must:

- Set LPM field in the CAN\_MR register
- Wait for SLEEP signal rising

Now the CAN Controller clock can be disabled. This is done by programming the Power Management Controller (PMC).

**Figure 37-8.** Enabling Low-power Mode



## 37.6.5.2 Disabling Low-power Mode

The CAN controller can be awake after detecting a CAN bus activity. Bus activity detection is done by an external module that may be embedded in the chip. When it is notified of a CAN bus activity, the software application disables Low-power Mode by programming the CAN controller.

To disable Low-power Mode, the software application must:

- Enable the CAN Controller clock. This is done by programming the Power Management Controller (PMC).
- Clear the LPM field in the CAN\_MR register

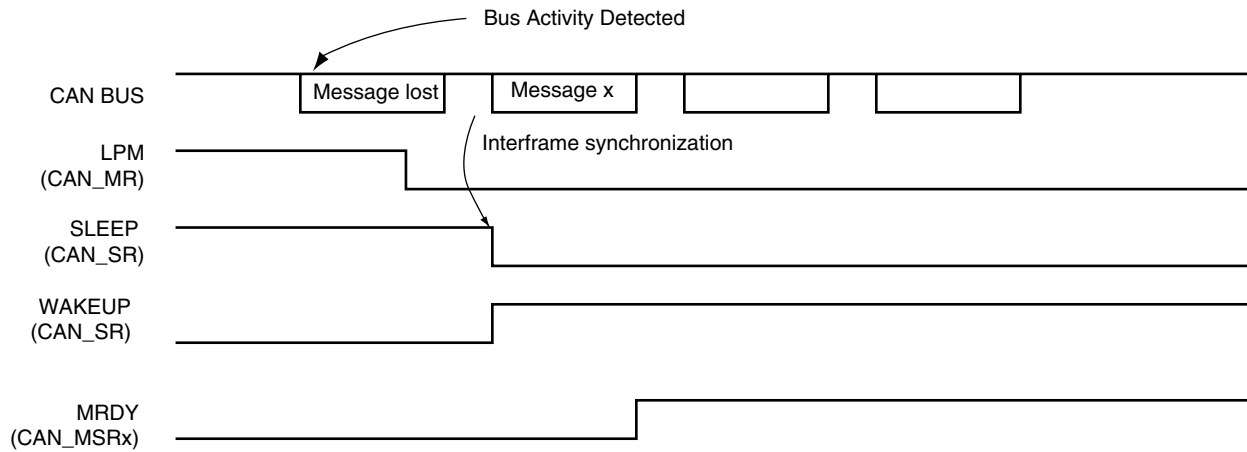
The CAN controller synchronizes itself with the bus activity by checking for eleven consecutive “recessive” bits. Once synchronized, the WAKEUP signal in the CAN\_SR register is set.

Depending on the corresponding mask in the CAN\_IMR register, an interrupt is generated while WAKEUP is set. The SLEEP signal in the CAN\_SR register is automatically cleared once WAKEUP is set. WAKEUP signal is automatically cleared once SLEEP is set.

If no message is being sent on the bus, then the CAN controller is able to send a message eleven bit times after disabling Low-power Mode.

If there is bus activity when Low-power mode is disabled, the CAN controller is synchronized with the bus activity in the next interframe. The previous message is lost (see [Figure 37-9](#)).

**Figure 37-9.** Disabling Low-power Mode



## 37.7 Functional Description

### 37.7.1 CAN Controller Initialization

After power-up reset, the CAN controller is disabled. The CAN controller clock must be activated by the Power Management Controller (PMC) and the CAN controller interrupt line must be enabled by the interrupt controller (AIC).

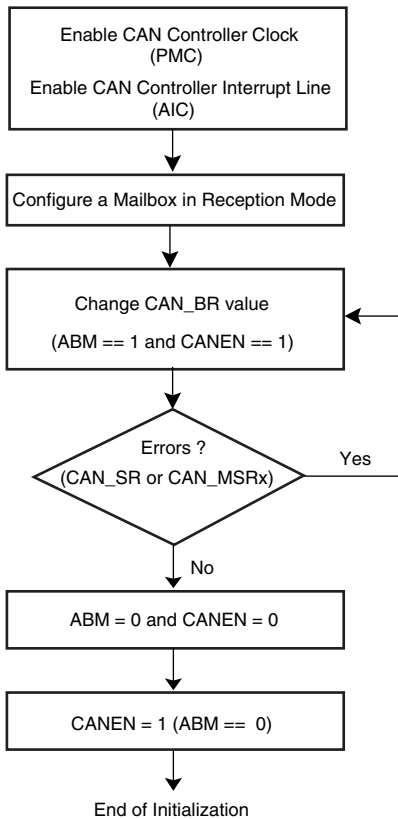
The CAN controller must be initialized with the CAN network parameters. The CAN\_BR register defines the sampling point in the bit time period. CAN\_BR must be set before the CAN controller is enabled by setting the CANEN field in the CAN\_MR register.

The CAN controller is enabled by setting the CANEN flag in the CAN\_MR register. At this stage, the internal CAN controller state machine is reset, error counters are reset to 0, error flags are reset to 0.

Once the CAN controller is enabled, bus synchronization is done automatically by scanning eleven recessive bits. The WAKEUP bit in the CAN\_SR register is automatically set to 1 when the CAN controller is synchronized (WAKEUP and SLEEP are stuck at 0 after a reset).

The CAN controller can start listening to the network in Autobaud Mode. In this case, the error counters are locked and a mailbox may be configured in Receive Mode. By scanning error flags, the CAN\_BR register values synchronized with the network. Once no error has been detected, the application disables the Autobaud Mode, clearing the ABM field in the CAN\_MR register.

**Figure 37-10.** Possible Initialization Procedure



## 37.7.2 CAN Controller Interrupt Handling

There are two different types of interrupts. One type of interrupt is a message-object related interrupt, the other is a system interrupt that handles errors or system-related interrupt sources.

All interrupt sources can be masked by writing the corresponding field in the CAN\_IDR register. They can be unmasked by writing to the CAN\_IER register. After a power-up reset, all interrupt sources are disabled (masked). The current mask status can be checked by reading the CAN\_IMR register.

The CAN\_SR register gives all interrupt source states.

The following events may initiate one of the two interrupts:

- Message object interrupt
  - Data registers in the mailbox object are available to the application. In Receive Mode, a new message was received. In Transmit Mode, a message was transmitted successfully.
  - A sent transmission was aborted.

- System interrupts
  - Bus-off interrupt: The CAN module enters the bus-off state.
  - Error-passive interrupt: The CAN module enters Error Passive Mode.
  - Error-active Mode: The CAN module is neither in Error Passive Mode nor in Bus-off mode.
  - Warn Limit interrupt: The CAN module is in Error-active Mode, but at least one of its error counter value exceeds 96.
  - Wake-up interrupt: This interrupt is generated after a wake-up and a bus synchronization.
  - Sleep interrupt: This interrupt is generated after a Low-power Mode enable once all pending messages in transmission have been sent.
  - Internal timer counter overflow interrupt: This interrupt is generated when the internal timer rolls over.
  - Timestamp interrupt: This interrupt is generated after the reception or the transmission of a start of frame or an end of frame. The value of the internal counter is copied in the CAN\_TIMESTP register.

All interrupts are cleared by clearing the interrupt source except for the internal timer counter overflow interrupt and the timestamp interrupt. These interrupts are cleared by reading the CAN\_SR register.

## 37.7.3 CAN Controller Message Handling

### 37.7.3.1 Receive Handling

Two modes are available to configure a mailbox to receive messages. In **Receive Mode**, the first message received is stored in the mailbox data register. In **Receive with Overwrite Mode**, the last message received is stored in the mailbox.

#### Simple Receive Mailbox

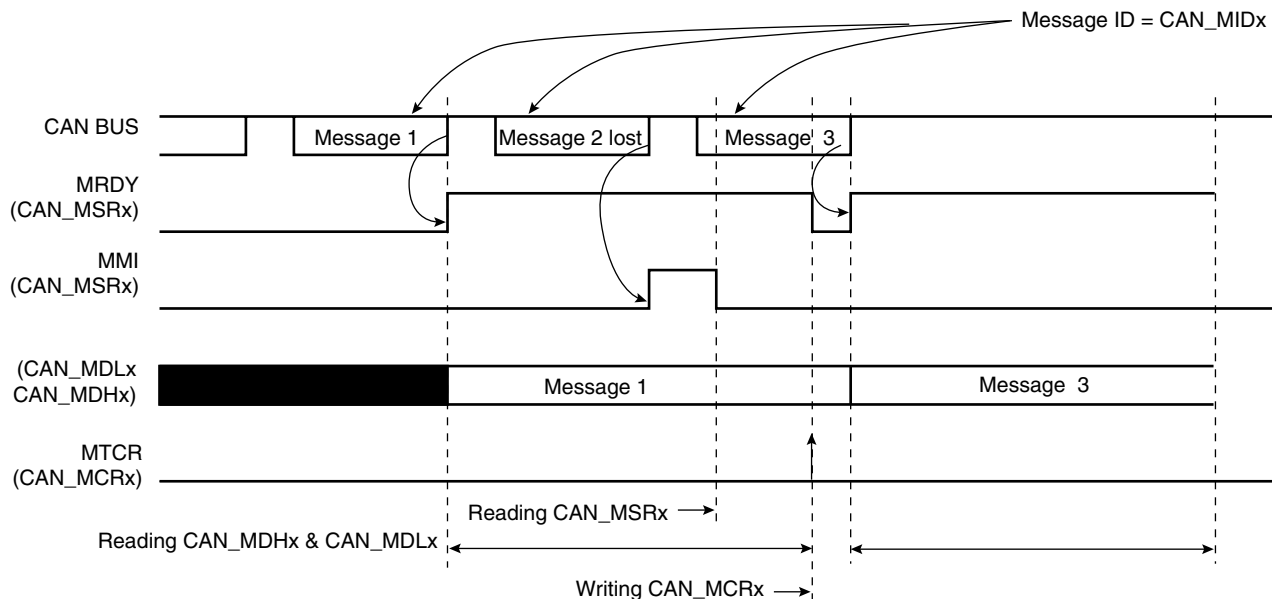
A mailbox is in Receive Mode once the MOT field in the CAN\_MMRx register has been configured. Message ID and Message Acceptance Mask must be set before the Receive Mode is enabled.

After Receive Mode is enabled, the MRDY flag in the CAN\_MSR register is automatically cleared until the first message is received. When the first message has been accepted by the mailbox, the MRDY flag is set. An interrupt is pending for the mailbox while the MRDY flag is set. This interrupt can be masked depending on the mailbox flag in the CAN\_IMR global register.

Message data are stored in the mailbox data register until the software application notifies that data processing has ended. This is done by asking for a new transfer command, setting the MTCR flag in the CAN\_MCRx register. This automatically clears the MRDY signal.

The MMI flag in the CAN\_MSRx register notifies the software that a message has been lost by the mailbox. This flag is set when messages are received while MRDY is set in the CAN\_MSRx register. This flag is cleared by reading the CAN\_MSRs register. A receive mailbox prevents from overwriting the first message by new ones while MRDY flag is set in the CAN\_MSRx register. See [Figure 37-11](#).

**Figure 37-11.** Receive Mailbox



Note: In the case of ARM architecture, CAN\_MSRx, CAN\_MDLx, CAN\_MDHx can be read using an optimized ldm assembler instruction.

## Receive with Overwrite Mailbox

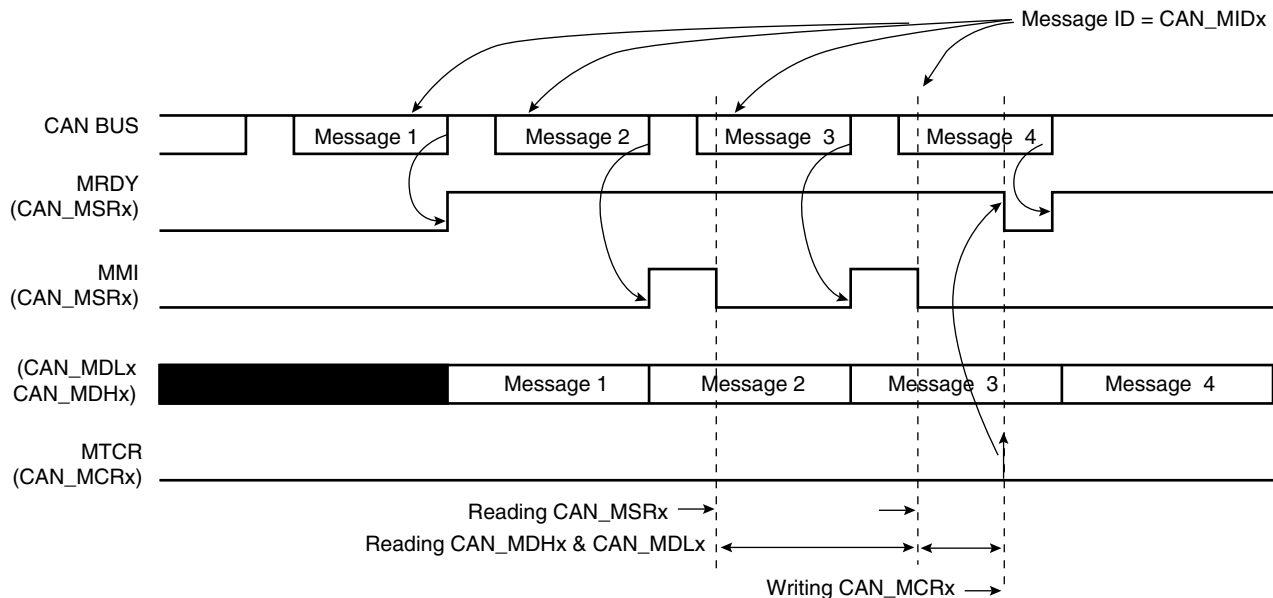
A mailbox is in Receive with Overwrite Mode once the MOT field in the CAN\_MMRx register has been configured. Message ID and Message Acceptance masks must be set before Receive Mode is enabled.

After Receive Mode is enabled, the MRDY flag in the CAN\_MSR register is automatically cleared until the first message is received. When the first message has been accepted by the mailbox, the MRDY flag is set. An interrupt is pending for the mailbox while the MRDY flag is set. This interrupt is masked depending on the mailbox flag in the CAN\_IMR global register.

If a new message is received while the MRDY flag is set, this new message is stored in the mailbox data register, overwriting the previous message. The MMI flag in the CAN\_MSRx register notifies the software that a message has been dropped by the mailbox. This flag is cleared when reading the CAN\_MSRx register.

The CAN controller may store a new message in the CAN data registers while the application reads them. To check that CAN\_MDHx and CAN\_MDLx do not belong to different messages, the application must check the MMI field in the CAN\_MSRx register before and after reading CAN\_MDHx and CAN\_MDLx. If the MMI flag is set again after the data registers have been read, the software application has to re-read CAN\_MDHx and CAN\_MDLx (see [Figure 37-12](#)).

**Figure 37-12.** Receive with Overwrite Mailbox

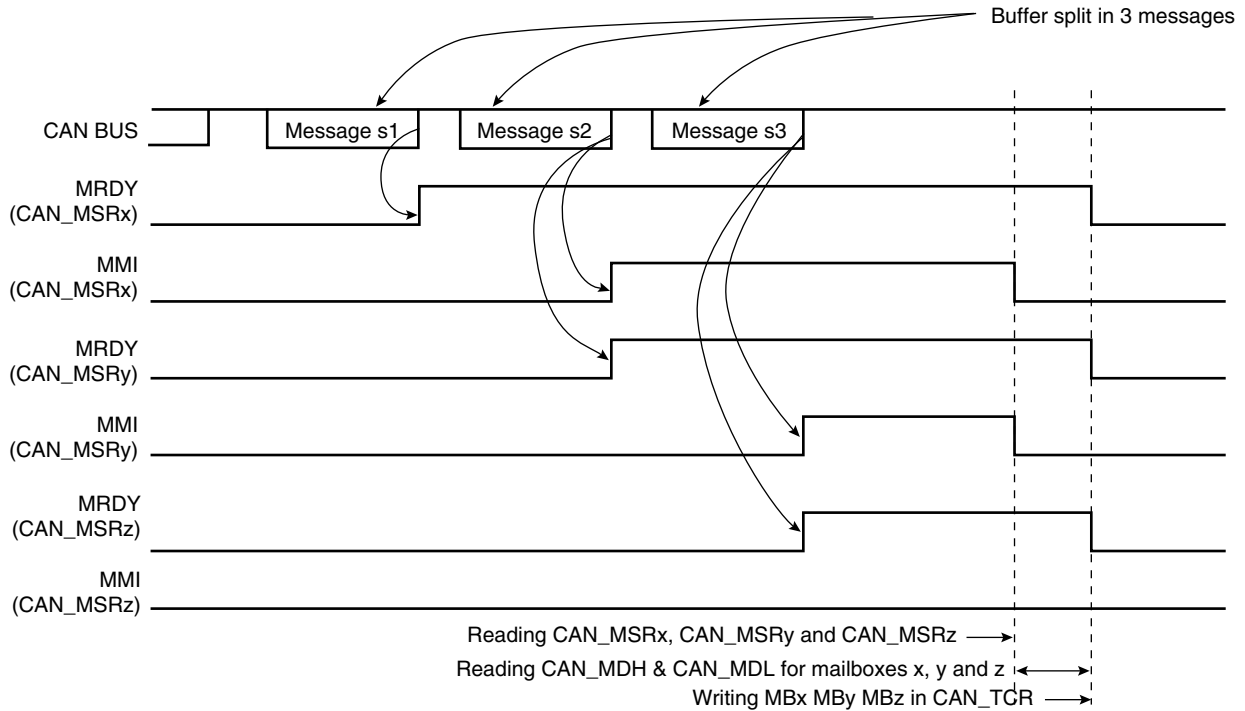


## Chaining Mailboxes

Several mailboxes may be used to receive a buffer split into several messages with the same ID. In this case, the mailbox with the lowest number is serviced first. In the receive and receive with overwrite modes, the field PRIOR in the CAN\_MMRx register has no effect. If Mailbox 0 and Mailbox 5 accept messages with the same ID, the first message is received by Mailbox 0 and the second message is received by Mailbox 5. Mailbox 0 must be configured in Receive Mode (i.e., the first message received is considered) and Mailbox 5 must be configured in Receive with Overwrite Mode. Mailbox 0 cannot be configured in Receive with Overwrite Mode; otherwise, all messages are accepted by this mailbox and Mailbox 5 is never serviced.

If several mailboxes are chained to receive a buffer split into several messages, all mailboxes except the last one (with the highest number) must be configured in Receive Mode. The first message received is handled by the first mailbox, the second one is refused by the first mailbox and accepted by the second mailbox, the last message is accepted by the last mailbox and refused by previous ones (see [Figure 37-13](#)).

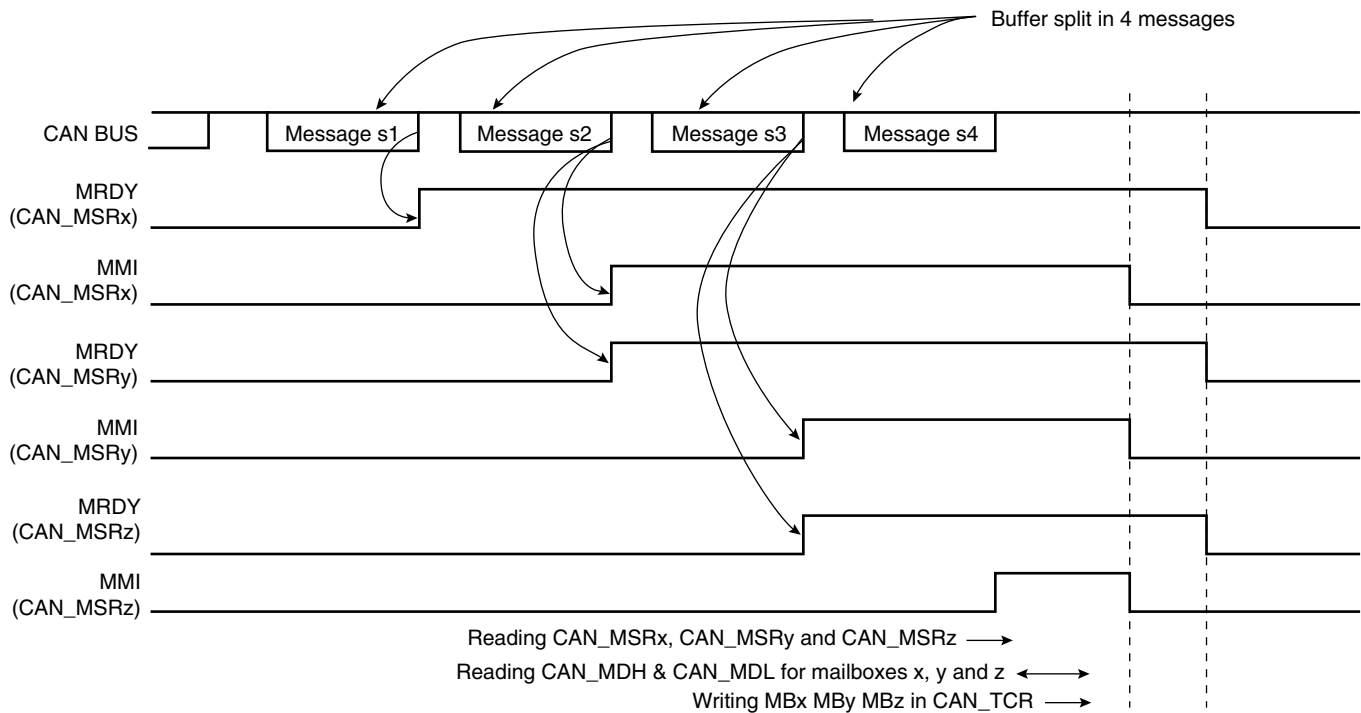
**Figure 37-13.** Chaining Three Mailboxes to Receive a Buffer Split into Three Messages



If the number of mailboxes is not sufficient (the MMI flag of the last mailbox raises), the user must read each data received on the last mailbox in order to retrieve all the messages of the buffer split (see [Figure 37-14](#)).



**Figure 37-14.** Chaining Three Mailboxes to Receive a Buffer Split into Four Messages



### 37.7.3.2 Transmission Handling

A mailbox is in Transmit Mode once the MOT field in the CAN\_MMRx register has been configured. Message ID and Message Acceptance mask must be set before Receive Mode is enabled.

After Transmit Mode is enabled, the MRDY flag in the CAN\_MSR register is automatically set until the first command is sent. When the MRDY flag is set, the software application can prepare a message to be sent by writing to the CAN\_MDx registers. The message is sent once the software asks for a transfer command setting the MTCCR bit and the message data length in the CAN\_MCRx register.

The MRDY flag remains at zero as long as the message has not been sent or aborted. It is important to note that no access to the mailbox data register is allowed while the MRDY flag is cleared. An interrupt is pending for the mailbox while the MRDY flag is set. This interrupt can be masked depending on the mailbox flag in the CAN\_IMR global register.

It is also possible to send a remote frame setting the MRTR bit instead of setting the MDLC field. The answer to the remote frame is handled by another reception mailbox. In this case, the device acts as a consumer but with the help of two mailboxes. It is possible to handle the remote frame emission and the answer reception using only one mailbox configured in Consumer Mode. Refer to the section ["Remote Frame Handling" on page 514](#).

Several messages can try to win the bus arbitration in the same time. The message with the highest priority is sent first. Several transfer request commands can be generated at the same time by setting MBx bits in the CAN\_TCR register. The priority is set in the PRIOR field of the CAN\_MMRx register. Priority 0 is the highest priority, priority 15 is the lowest priority. Thus it is possible to use a part of the message ID to set the PRIOR field. If two mailboxes have the same priority, the message of the mailbox with the lowest number is sent first. Thus if mailbox

0 and mailbox 5 have the same priority and have a message to send at the same time, then the message of the mailbox 0 is sent first.

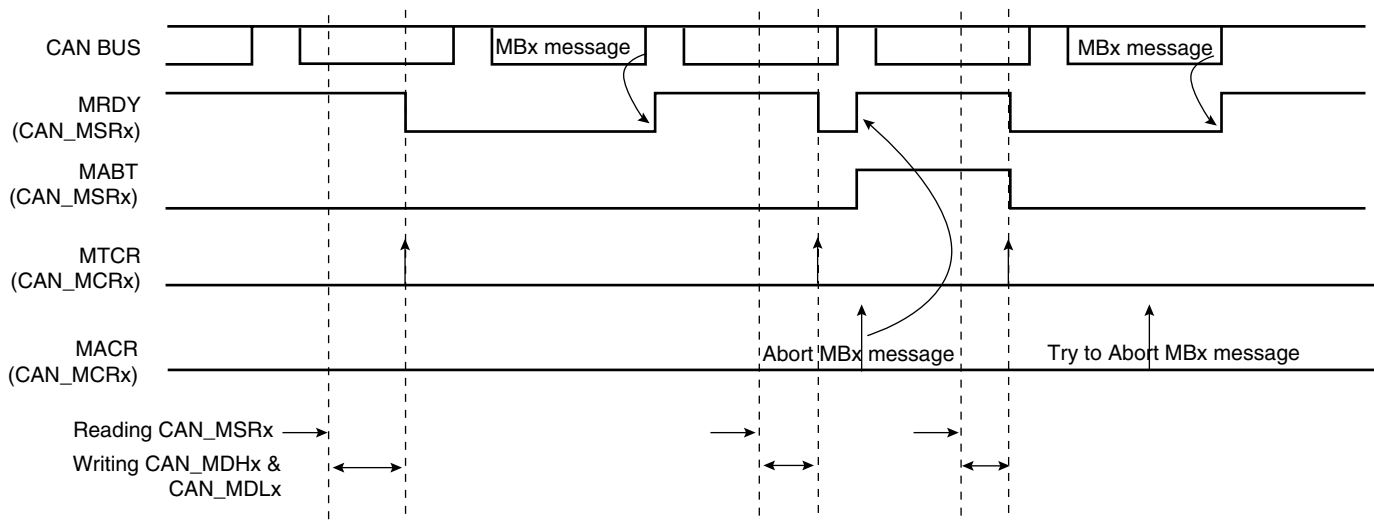
Setting the MACR bit in the CAN\_MCRx register aborts the transmission. Transmission for several mailboxes can be aborted by writing MBx fields in the CAN\_MACR register. If the message is being sent when the abort command is set, then the application is notified by the MRDY bit set and not the MABT in the CAN\_MSRx register. Otherwise, if the message has not been sent, then the MRDY and the MABT are set in the CAN\_MSR register.

When the bus arbitration is lost by a mailbox message, the CAN controller tries to win the next bus arbitration with the same message if this one still has the highest priority. Messages to be sent are re-tried automatically until they win the bus arbitration. This feature can be disabled by setting the bit DRPT in the CAN\_MR register. In this case if the message was not sent the first time it was transmitted to the CAN transceiver, it is automatically aborted. The MABT flag is set in the CAN\_MSRx register until the next transfer command.

Figure 37-15 shows three MBx message attempts being made (MRDY of MBx set to 0).

The first MBx message is sent, the second is aborted and the last one is trying to be aborted but too late because it has already been transmitted to the CAN transceiver.

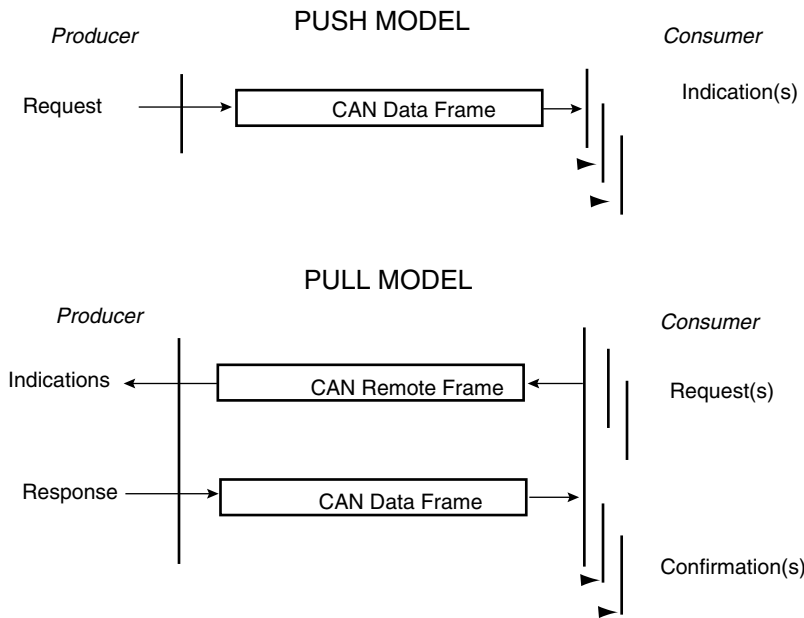
**Figure 37-15.** Transmitting Messages



### 37.7.3.3 Remote Frame Handling

Producer/consumer model is an efficient means of handling broadcasted messages. The push model allows a producer to broadcast messages; the pull model allows a customer to ask for messages.

**Figure 37-16.** Producer / Consumer Model



In Pull Mode, a consumer transmits a remote frame to the producer. When the producer receives a remote frame, it sends the answer accepted by one or many consumers. Using transmit and receive mailboxes, a consumer must dedicate two mailboxes, one in Transmit Mode to send remote frames, and at least one in Receive Mode to capture the producer's answer. The same structure is applicable to a producer: one reception mailbox is required to get the remote frame and one transmit mailbox to answer.

Mailboxes can be configured in Producer or Consumer Mode. A lonely mailbox can handle the remote frame and the answer. With 8 mailboxes, the CAN controller can handle 8 independent producers/consumers.

### *Producer Configuration*

A mailbox is in Producer Mode once the MOT field in the CAN\_MMRx register has been configured. Message ID and Message Acceptance masks must be set before Receive Mode is enabled.

After Producer Mode is enabled, the MRDY flag in the CAN\_MSR register is automatically set until the first transfer command. The software application prepares data to be sent by writing to the CAN\_MDHx and the CAN\_MDLx registers, then by setting the MTCR bit in the CAN\_MCRx register. Data is sent after the reception of a remote frame as soon as it wins the bus arbitration.

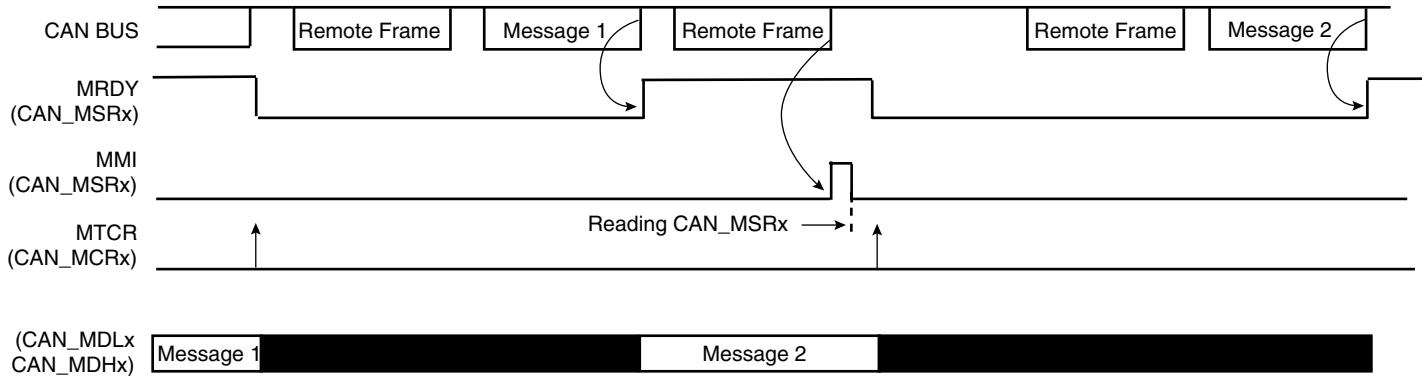
The MRDY flag remains at zero as long as the message has not been sent or aborted. No access to the mailbox data register can be done while MRDY flag is cleared. An interrupt is pending for the mailbox while the MRDY flag is set. This interrupt can be masked according to the mailbox flag in the CAN\_IMR global register.

If a remote frame is received while no data are ready to be sent (signal MRDY set in the CAN\_MSRx register), then the MMI signal is set in the CAN\_MSRx register. This bit is cleared by reading the CAN\_MSRx register.

The MRTR field in the CAN\_MSRx register has no meaning. This field is used only when using Receive and Receive with Overwrite modes.

After a remote frame has been received, the mailbox functions like a transmit mailbox. The message with the highest priority is sent first. The transmitted message may be aborted by setting the MACR bit in the CAN\_MCR register. Please refer to the section "Transmission Handling" on page 513.

**Figure 37-17. Producer Handling**



### Consumer Configuration

A mailbox is in Consumer Mode once the MOT field in the CAN\_MMRx register has been configured. Message ID and Message Acceptance masks must be set before Receive Mode is enabled.

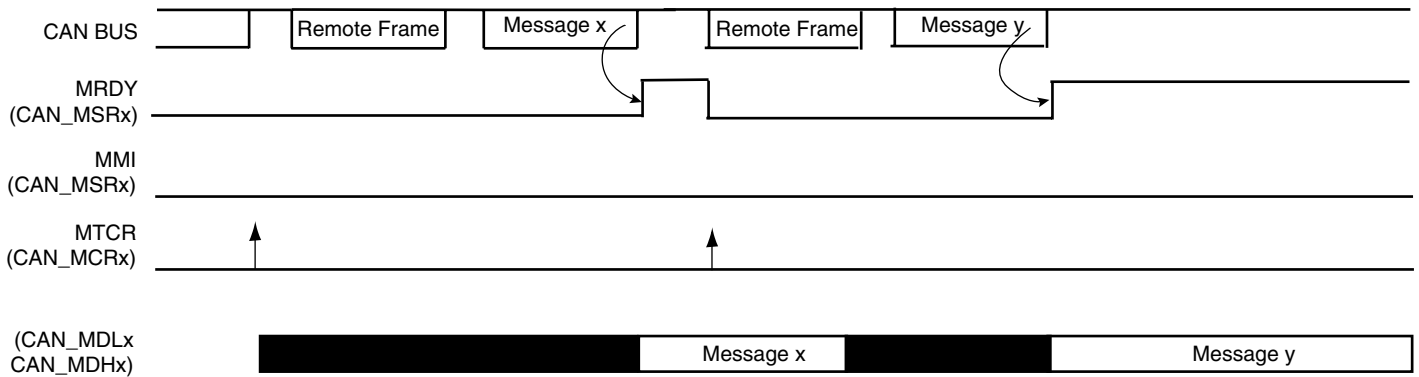
After Consumer Mode is enabled, the MRDY flag in the CAN\_MSR register is automatically cleared until the first transfer request command. The software application sends a remote frame by setting the MTCR bit in the CAN\_MCRx register or the MBx bit in the global CAN\_TCR register. The application is notified of the answer by the MRDY flag set in the CAN\_MSRx register. The application can read the data contents in the CAN\_MDHx and CAN\_MDLx registers. An interrupt is pending for the mailbox while the MRDY flag is set. This interrupt can be masked according to the mailbox flag in the CAN\_IMR global register.

The MRTR bit in the CAN\_MCRx register has no effect. This field is used only when using Transmit Mode.

After a remote frame has been sent, the consumer mailbox functions as a reception mailbox. The first message received is stored in the mailbox data registers. If other messages intended for this mailbox have been sent while the MRDY flag is set in the CAN\_MSRx register, they will be lost. The application is notified by reading the MMI field in the CAN\_MSRx register. The read operation automatically clears the MMI flag.

If several messages are answered by the Producer, the CAN controller may have one mailbox in consumer configuration, zero or several mailboxes in Receive Mode and one mailbox in Receive with Overwrite Mode. In this case, the consumer mailbox must have a lower number than the Receive with Overwrite mailbox. The transfer command can be triggered for all mailboxes at the same time by setting several MBx fields in the CAN\_TCR register.

**Figure 37-18. Consumer Handling**



### 37.7.4 CAN Controller Timing Modes

Using the free running 16-bit internal timer, the CAN controller can be set in one of the two following timing modes:

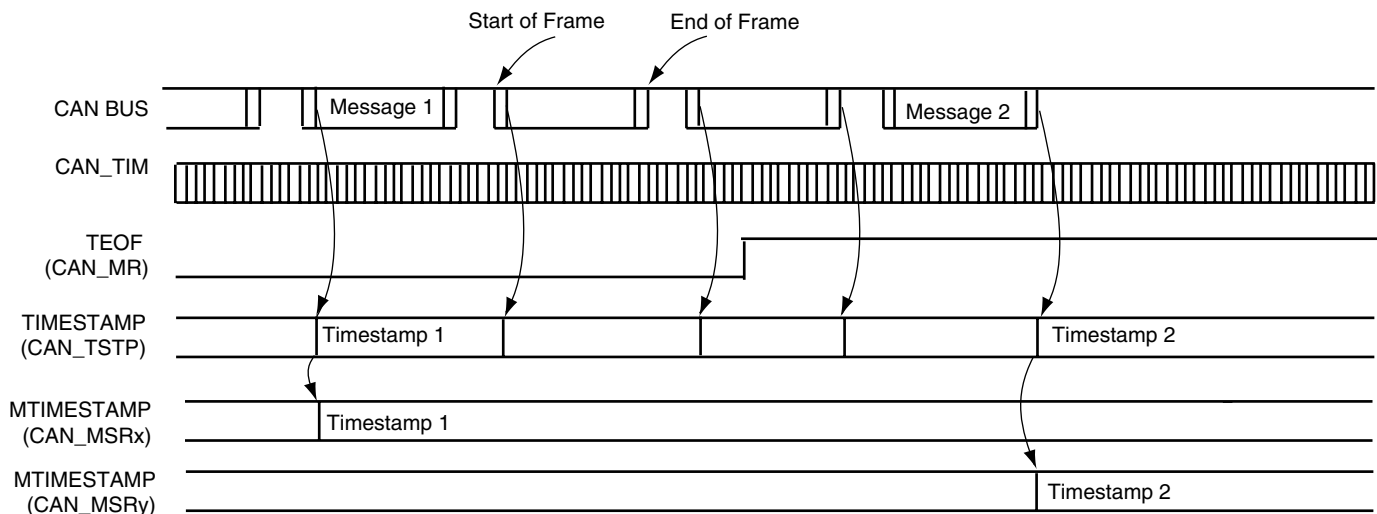
- **Timestamping Mode:** The value of the internal timer is captured at each Start Of Frame or each End Of Frame.
- **Time Triggered Mode:** The mailbox transfer operation is triggered when the internal timer reaches the mailbox trigger.

Timestamping Mode is enabled by clearing the TTM bit in the CAN\_MR register. Time Triggered Mode is enabled by setting the TTM bit in the CAN\_MR register.

#### 37.7.4.1 Timestamping Mode

Each mailbox has its own timestamp value. Each time a message is sent or received by a mailbox, the 16-bit value MTIMESTAMP of the CAN\_TIMESTP register is transferred to the LSB bits of the CAN\_MSRx register. The value read in the CAN\_MSRx register corresponds to the internal timer value at the Start Of Frame or the End Of Frame of the message handled by the mailbox.

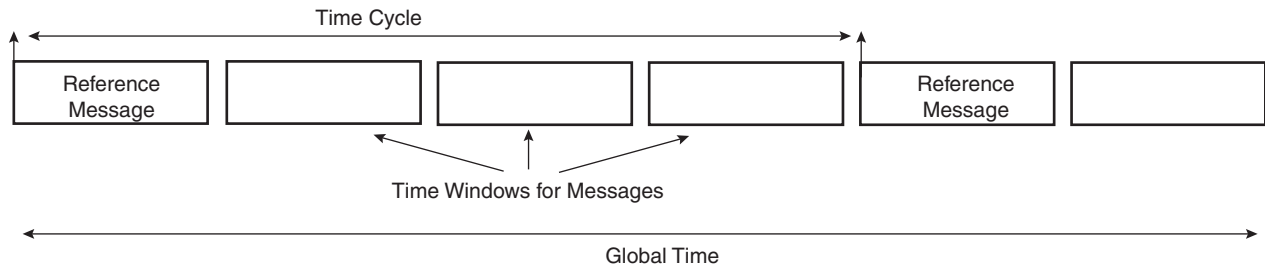
**Figure 37-19. Mailbox Timestamp**



## 37.7.4.2 Time Triggered Mode

In Time Triggered Mode, basic cycles can be split into several time windows. A basic cycle starts with a reference message. Each time a window is defined from the reference message, a transmit operation should occur within a pre-defined time window. A mailbox must not win the arbitration in a previous time window, and it must not be retried if the arbitration is lost in the time window.

**Figure 37-20.** Time Triggered Principle



Time Trigger Mode is enabled by setting the TTM field in the CAN\_MR register. In Time Triggered Mode, as in Timestamp Mode, the CAN\_TIMESTP field captures the values of the internal counter, but the MTIMESTAMP fields in the CAN\_MSRx registers are not active and are read at 0.

### *Synchronization by a Reference Message*

In Time Triggered Mode, the internal timer counter is automatically reset when a new message is received in the last mailbox. This reset occurs after the reception of the End Of Frame on the rising edge of the MRDY signal in the CAN\_MSRx register. This allows synchronization of the internal timer counter with the reception of a reference message and the start a new time window.

### *Transmitting within a Time Window*

A time mark is defined for each mailbox. It is defined in the 16-bit MTIMEMARK field of the CAN\_MMRx register. At each internal timer clock cycle, the value of the CAN\_TIM is compared with each mailbox time mark. When the internal timer counter reaches the MTIMEMARK value, an internal timer event for the mailbox is generated for the mailbox.

In Time Triggered Mode, transmit operations are delayed until the internal timer event for the mailbox. The application prepares a message to be sent by setting the MTCR in the CAN\_MCRx register. The message is not sent until the CAN\_TIM value is less than the MTIMEMARK value defined in the CAN\_MMRx register.

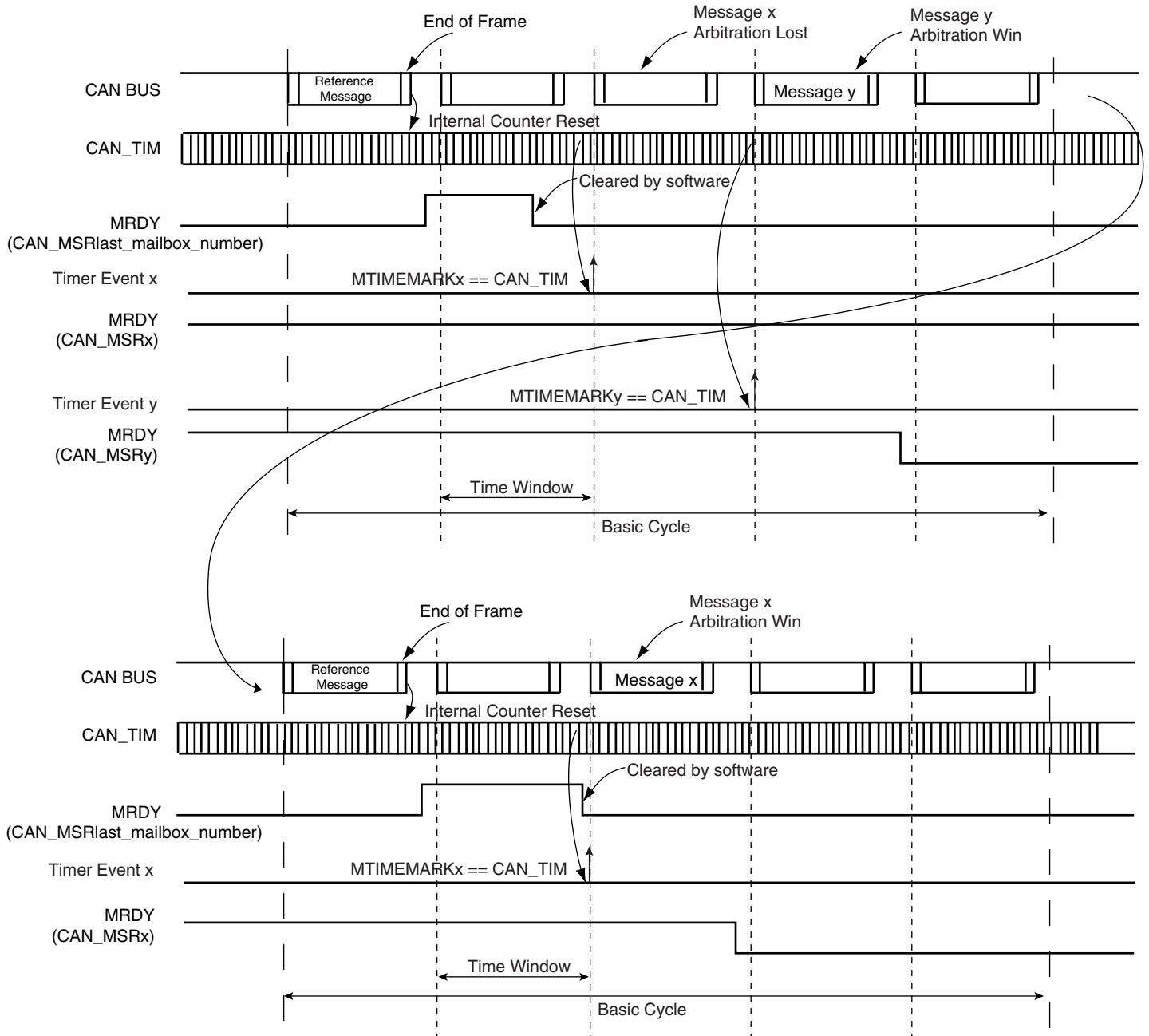
If the transmit operation is failed, i.e., the message loses the bus arbitration and the next transmit attempt is delayed until the next internal time trigger event. This prevents overlapping the next time window, but the message is still pending and is retried in the next time window when CAN\_TIM value equals the MTIMEMARK value. It is also possible to prevent a retry by setting the DRPT field in the CAN\_MR register.

### *Freezing the Internal Timer Counter*

The internal counter can be frozen by setting TIMFRZ in the CAN\_MR register. This prevents an unexpected roll-over when the counter reaches FFFFh. When this occurs, it automatically freezes until a new reset is issued, either due to a message received in the last mailbox or any other reset counter operations. The TOVF bit in the CAN\_SR register is set when the counter

is frozen. The TOVF bit in the CAN\_SR register is cleared by reading the CAN\_SR register. Depending on the corresponding interrupt mask in the CAN\_IMR register, an interrupt is generated when TOVF is set.

**Figure 37-21. Time Triggered Operations**



## 37.8 Controller Area Network (CAN) User Interface

**Table 37-2.** CAN Memory Map

| Offset          | Register                           | Name        | Access     | Reset State |
|-----------------|------------------------------------|-------------|------------|-------------|
| 0x0000          | Mode Register                      | CAN_MR      | Read-Write | 0x0         |
| 0x0004          | Interrupt Enable Register          | CAN_IER     | Write-only | -           |
| 0x0008          | Interrupt Disable Register         | CAN_IDR     | Write-only | -           |
| 0x000C          | Interrupt Mask Register            | CAN_IMR     | Read-only  | 0x0         |
| 0x0010          | Status Register                    | CAN_SR      | Read-only  | 0x0         |
| 0x0014          | Baudrate Register                  | CAN_BR      | Read/Write | 0x0         |
| 0x0018          | Timer Register                     | CAN_TIM     | Read-only  | 0x0         |
| 0x001C          | Timestamp Register                 | CAN_TIMESTP | Read-only  | 0x0         |
| 0x0020          | Error Counter Register             | CAN_ECR     | Read-only  | 0x0         |
| 0x0024          | Transfer Command Register          | CAN_TCR     | Write-only | -           |
| 0x0028          | Abort Command Register             | CAN_ACR     | Write-only | -           |
| 0x0100 - 0x01FC | Reserved                           | -           | -          | -           |
| 0x0200          | Mailbox 0 Mode Register            | CAN_MMR0    | Read/Write | 0x0         |
| 0x0204          | Mailbox 0 Acceptance Mask Register | CAN_MAM0    | Read/Write | 0x0         |
| 0x0208          | Mailbox 0 ID Register              | CAN_MID0    | Read/Write | 0x0         |
| 0x020C          | Mailbox 0 Family ID Register       | CAN_MFID0   | Read-only  | 0x0         |
| 0x0210          | Mailbox 0 Status Register          | CAN_MSR0    | Read-only  | 0x0         |
| 0x0214          | Mailbox 0 Data Low Register        | CAN_MDL0    | Read/Write | 0x0         |
| 0x0218          | Mailbox 0 Data High Register       | CAN_MDH0    | Read/Write | 0x0         |
| 0x021C          | Mailbox 0 Control Register         | CAN_MCR0    | Write-only | -           |
| 0x0220          | Mailbox 1 Mode Register            | CAN_MMR1    | Read/Write | 0x0         |
| 0x0224          | Mailbox 1 Acceptance Mask Register | CAN_MAM1    | Read/Write | 0x0         |
| 0x0228          | Mailbox 1 ID register              | CAN_MID1    | Read/Write | 0x0         |
| 0x022C          | Mailbox 1 Family ID Register       | CAN_MFID1   | Read-only  | 0x0         |
| 0x0230          | Mailbox 1 Status Register          | CAN_MSR1    | Read-only  | 0x0         |
| 0x0234          | Mailbox 1 Data Low Register        | CAN_MDL1    | Read/Write | 0x0         |
| 0x0238          | Mailbox 1 Data High Register       | CAN_MDH1    | Read/Write | 0x0         |
| 0x023C          | Mailbox 1 Control Register         | CAN_MCR1    | Write-only | -           |
| ...             | ...                                | ...         | ...        | -           |



## 37.8.1 CAN Mode Register

**Name:** CAN\_MR  
**Access Type:** Read/Write

|      |        |     |      |     |     |     |       |
|------|--------|-----|------|-----|-----|-----|-------|
| 31   | 30     | 29  | 28   | 27  | 26  | 25  | 24    |
| –    | –      | –   | –    | –   |     |     |       |
| 23   | 22     | 21  | 20   | 19  | 18  | 17  | 16    |
| –    | –      | –   | –    | –   | –   | –   | –     |
| 15   | 14     | 13  | 12   | 11  | 10  | 9   | 8     |
| –    | –      | –   | –    | –   | –   | –   | –     |
| 7    | 6      | 5   | 4    | 3   | 2   | 1   | 0     |
| DRPT | TIMFRZ | TTM | TEOF | OVL | ABM | LPM | CANEN |

- **CANEN: CAN Controller Enable**

0 = The CAN Controller is disabled.

1 = The CAN Controller is enabled.

- **LPM: Disable/Enable Low Power Mode**

w Power Mode.

1 = Enable Low Power M

CAN controller enters Low Power Mode once all pending messages have been transmitted.

- **ABM: Disable/Enable Autobaud/Listen mode**

0 = Disable Autobaud/listen mode.

1 = Enable Autobaud/listen mode.

- **OVL: Disable/Enable Overload Frame**

0 = No overload frame is generated.

1 = An overload frame is generated after each successful reception for mailboxes configured in Receive with/without overwrite Mode, Producer and Consumer.

- **TEOF: Timestamp messages at each end of Frame**

0 = The value of CAN\_TIM is captured in the CAN\_TIMESTP register at each Start Of Frame.

1 = The value of CAN\_TIM is captured in the CAN\_TIMESTP register at each End Of Frame.

- **TTM: Disable/Enable Time Triggered Mode**

0 = Time Triggered Mode is disabled.

1 = Time Triggered Mode is enabled.

- **TIMFRZ: Enable Timer Freeze**

0 = The internal timer continues to be incremented after it reached 0xFFFF.

1 = The internal timer stops incrementing after reaching 0xFFFF. It is restarted after a timer reset. See ["Freezing the Internal Timer Counter" on page 518](#).

- **DRPT: Disable Repeat**

0 = When a transmit mailbox loses the bus arbitration, the transfer request remains pending.

1 = When a transmit mailbox lose the bus arbitration, the transfer request is automatically aborted. It automatically raises the MABT and MRDT flags in the corresponding CAN\_MS Rx.

## 37.8.2 CAN Interrupt Enable Register

**Name:** CAN\_IER

**Access Type:** Write-only

|      |      |        |       |      |      |      |      |
|------|------|--------|-------|------|------|------|------|
| 31   | 30   | 29     | 28    | 27   | 26   | 25   | 24   |
| –    | –    | –      | BERR  | FERR | AERR | SERR | CERR |
| 23   | 22   | 21     | 20    | 19   | 18   | 17   | 16   |
| TSTP | TOVF | WAKEUP | SLEEP | BOFF | ERRP | WARN | ERRA |
| 15   | 14   | 13     | 12    | 11   | 10   | 9    | 8    |
| –    | –    | –      | –     | –    | –    | –    | –    |
| 7    | 6    | 5      | 4     | 3    | 2    | 1    | 0    |
| MB7  | MB6  | MB5    | MB4   | MB3  | MB2  | MB1  | MB0  |

- **MBx: Mailbox x Interrupt Enable**

0 = No effect.

1 = Enable Mailbox x interrupt.

- **ERRA: Error Active mode Interrupt Enable**

0 = No effect.

1 = Enable ERRA interrupt.

- **WARN: Warning Limit Interrupt Enable**

0 = No effect.

1 = Enable WARN interrupt.

- **ERRP: Error Passive mode Interrupt Enable**

0 = No effect.

1 = Enable ERRP interrupt.

- **BOFF: Bus-off mode Interrupt Enable**

0 = No effect.

1 = Enable BOFF interrupt.

- **SLEEP: Sleep Interrupt Enable**

0 = No effect.

1 = Enable SLEEP interrupt.

- **WAKEUP: Wakeup Interrupt Enable**

0 = No effect.

1 = Enable SLEEP interrupt.

- **TOVF: Timer Overflow Interrupt Enable**

0 = No effect.

1 = Enable TOVF interrupt.

- **TSTP: TimeStamp Interrupt Enable**

0 = No effect.

1 = Enable TSTP interrupt.

- **CERR: CRC Error Interrupt Enable**

0 = No effect.

1 = Enable CRC Error interrupt.

- **SERR: Stuffing Error Interrupt Enable**

0 = No effect.

1 = Enable Stuffing Error interrupt.

- **AERR: Acknowledgment Error Interrupt Enable**

0 = No effect.

1 = Enable Acknowledgment Error interrupt.

- **FERR: Form Error Interrupt Enable**

0 = No effect.

1 = Enable Form Error interrupt.

- **BERR: Bit Error Interrupt Enable**

0 = No effect.

1 = Enable Bit Error interrupt.

## 37.8.3 CAN Interrupt Disable Register

**Name:** CAN\_IDR

**Access Type:** Write-only

|      |      |        |       |      |      |      |      |
|------|------|--------|-------|------|------|------|------|
| 31   | 30   | 29     | 28    | 27   | 26   | 25   | 24   |
| –    | –    | –      | BERR  | FERR | AERR | SERR | CERR |
| 23   | 22   | 21     | 20    | 19   | 18   | 17   | 16   |
| TSTP | TOVF | WAKEUP | SLEEP | BOFF | ERRP | WARN | ERRA |
| 15   | 14   | 13     | 12    | 11   | 10   | 9    | 8    |
| –    | –    | –      | –     | –    | –    | –    | –    |
| 7    | 6    | 5      | 4     | 3    | 2    | 1    | 0    |
| MB7  | MB6  | MB5    | MB4   | MB3  | MB2  | MB1  | MB0  |

- **MBx: Mailbox x Interrupt Disable**

0 = No effect.

1 = Disable Mailbox x interrupt.

- **ERRA: Error Active Mode Interrupt Disable**

0 = No effect.

1 = Disable ERRA interrupt.

- **WARN: Warning Limit Interrupt Disable**

0 = No effect.

1 = Disable WARN interrupt.

- **ERRP: Error Passive mode Interrupt Disable**

0 = No effect.

1 = Disable ERRP interrupt.

- **BOFF: Bus-off mode Interrupt Disable**

0 = No effect.

1 = Disable BOFF interrupt.

- **SLEEP: Sleep Interrupt Disable**

0 = No effect.

1 = Disable SLEEP interrupt.

- **WAKEUP: Wakeup Interrupt Disable**

0 = No effect.

1 = Disable WAKEUP interrupt.

- **TOVF: Timer Overflow Interrupt**

0 = No effect.

1 = Disable TOVF interrupt.

- **TSTP: TimeStamp Interrupt Disable**

0 = No effect.

1 = Disable TSTP interrupt.

- **CERR: CRC Error Interrupt Disable**

0 = No effect.

1 = Disable CRC Error interrupt.

- **SERR: Stuffing Error Interrupt Disable**

0 = No effect.

1 = Disable Stuffing Error interrupt.

- **AERR: Acknowledgment Error Interrupt Disable**

0 = No effect.

1 = Disable Acknowledgment Error interrupt.

- **FERR: Form Error Interrupt Disable**

0 = No effect.

1 = Disable Form Error interrupt.

- **BERR: Bit Error Interrupt Disable**

0 = No effect.

1 = Disable Bit Error interrupt.

## 37.8.4 CAN Interrupt Mask Register

**Name:** CAN\_IMR

**Access Type:** Read-only

|      |      |        |       |      |      |      |      |
|------|------|--------|-------|------|------|------|------|
| 31   | 30   | 29     | 28    | 27   | 26   | 25   | 24   |
| –    | –    | –      | BERR  | FERR | AERR | SERR | CERR |
| 23   | 22   | 21     | 20    | 19   | 18   | 17   | 16   |
| TSTP | TOVF | WAKEUP | SLEEP | BOFF | ERRP | WARN | ERRA |
| 15   | 14   | 13     | 12    | 11   | 10   | 9    | 8    |
| –    | –    | –      | –     | –    | –    | –    | –    |
| 7    | 6    | 5      | 4     | 3    | 2    | 1    | 0    |
| MB7  | MB6  | MB5    | MB4   | MB3  | MB2  | MB1  | MB0  |

- **MBx: Mailbox x Interrupt Mask**

0 = Mailbox x interrupt is disabled.

1 = Mailbox x interrupt is enabled.

- **ERRA: Error Active mode Interrupt Mask**

0 = ERRA interrupt is disabled.

1 = ERRA interrupt is enabled.

- **WARN: Warning Limit Interrupt Mask**

0 = Warning Limit interrupt is disabled.

1 = Warning Limit interrupt is enabled.

- **ERRP: Error Passive Mode Interrupt Mask**

0 = ERRP interrupt is disabled.

1 = ERRP interrupt is enabled.

- **BOFF: Bus-off Mode Interrupt Mask**

0 = BOFF interrupt is disabled.

1 = BOFF interrupt is enabled.

- **SLEEP: Sleep Interrupt Mask**

0 = SLEEP interrupt is disabled.

1 = SLEEP interrupt is enabled.

- **WAKEUP: Wakeup Interrupt Mask**

0 = WAKEUP interrupt is disabled.

1 = WAKEUP interrupt is enabled.

- **TOVF: Timer Overflow Interrupt Mask**

0 = TOVF interrupt is disabled.

1 = TOVF interrupt is enabled.

- **TSTP: Timestamp Interrupt Mask**

0 = TSTP interrupt is disabled.

1 = TSTP interrupt is enabled.

- **CERR: CRC Error Interrupt Mask**

0 = CRC Error interrupt is disabled.

1 = CRC Error interrupt is enabled.

- **SERR: Stuffing Error Interrupt Mask**

0 = Bit Stuffing Error interrupt is disabled.

1 = Bit Stuffing Error interrupt is enabled.

- **AERR: Acknowledgment Error Interrupt Mask**

0 = Acknowledgment Error interrupt is disabled.

1 = Acknowledgment Error interrupt is enabled.

- **FERR: Form Error Interrupt Mask**

0 = Form Error interrupt is disabled.

1 = Form Error interrupt is enabled.

- **BERR: Bit Error Interrupt Mask**

0 = Bit Error interrupt is disabled.

1 = Bit Error interrupt is enabled.

## 37.8.5 CAN Status Register

**Name:** CAN\_SR

**Access Type:** Read-only

|       |      |        |       |      |      |      |      |
|-------|------|--------|-------|------|------|------|------|
| 31    | 30   | 29     | 28    | 27   | 26   | 25   | 24   |
| OVLSY | TBSY | RBSY   | BERR  | FERR | AERR | SERR | CERR |
| 23    | 22   | 21     | 20    | 19   | 18   | 17   | 16   |
| TSTP  | TOVF | WAKEUP | SLEEP | BOFF | ERRP | WARN | ERRA |
| 15    | 14   | 13     | 12    | 11   | 10   | 9    | 8    |
| -     | -    | -      | -     | -    | -    | -    | -    |
| 7     | 6    | 5      | 4     | 3    | 2    | 1    | 0    |
| MB7   | MB6  | MB5    | MB4   | MB3  | MB2  | MB1  | MB0  |

- **MBx: Mailbox x Event**

0 = No event occurred on Mailbox x.

1 = An event occurred on Mailbox x.

An event corresponds to MRDY, MABT fields in the CAN\_MS Rx register.

- **ERRA: Error Active mode**

0 = CAN controller is not in error active mode

1 = CAN controller is in error active mode

This flag is set depending on TEC and REC counter values. It is set when node is neither in error passive mode nor in bus off mode.

This flag is automatically reset when above condition is not satisfied.

- **WARN: Warning Limit**

0 = CAN controller Warning Limit is not reached.

1 = CAN controller Warning Limit is reached.

This flag is set depending on TEC and REC counters values. It is set when at least one of the counters values exceeds 96.

This flag is automatically reset when above condition is not satisfied.

- **ERRP: Error Passive mode**

0 = CAN controller is not in error passive mode

1 = CAN controller is in error passive mode

This flag is set depending on TEC and REC counters values.

A node is error passive when TEC counter is greater or equal to 128 (decimal) or when the REC counter is greater or equal to 128 (decimal) and less than 256.

This flag is automatically reset when above condition is not satisfied.

- **BOFF: Bus Off mode**

0 = CAN controller is not in bus-off mode

1 = CAN controller is in bus-off mode

This flag is set depending on TEC counter value. A node is bus off when TEC counter is greater or equal to 256 (decimal).

This flag is automatically reset when above condition is not satisfied.

- **SLEEP: CAN controller in Low power Mode**

0 = CAN controller is not in low power mode.

1 = CAN controller is in low power mode.



This flag is automatically reset when Low power mode is disabled

- **WAKEUP: CAN controller is not in Low power Mode**

0 = CAN controller is in low power mode.

1 = CAN controller is not in low power mode.

When a WAKEUP event occurs, the CAN controller is synchronized with the bus activity. Messages can be transmitted or received. The CAN controller clock must be available when a WAKEUP event occurs. This flag is automatically reset when the CAN Controller enters Low Power mode.

- **TOVF: Timer Overflow**

0 = The timer has not rolled-over FFFFh to 0000h.

1 = The timer rolls-over FFFFh to 0000h.

This flag is automatically cleared by reading CAN\_SR register.

- **TSTP Timestamp**

0 = No bus activity has been detected.

1 = A start of frame or an end of frame has been detected (according to the TEOF field in the CAN\_MR register).

This flag is automatically cleared by reading the CAN\_SR register.

- **CERR: Mailbox CRC Error**

0 = No CRC error occurred during a previous transfer.

1 = A CRC error occurred during a previous transfer.

A CRC error has been detected during last reception.

This flag is automatically cleared by reading CAN\_SR register.

- **SERR: Mailbox Stuffing Error**

0 = No stuffing error occurred during a previous transfer.

1 = A stuffing error occurred during a previous transfer.

A form error results from the detection of more than five consecutive bit with the same polarity.

This flag is automatically cleared by reading CAN\_SR register.

- **AERR: Acknowledgment Error**

0 = No acknowledgment error occurred during a previous transfer.

1 = An acknowledgment error occurred during a previous transfer.

An acknowledgment error is detected when no detection of the dominant bit in the acknowledge slot occurs.

This flag is automatically cleared by reading CAN\_SR register.

- **FERR: Form Error**

0 = No form error occurred during a previous transfer

1 = A form error occurred during a previous transfer

A form error results from violations on one or more of the fixed form of the following bit fields:

- CRC delimiter
- ACK delimiter
- End of frame
- Error delimiter
- Overload delimiter

This flag is automatically cleared by reading CAN\_SR register.

- **BERR: Bit Error**

0 = No bit error occurred during a previous transfer.

1 = A bit error occurred during a previous transfer.

A bit error is set when the bit value monitored on the line is different from the bit value sent.

This flag is automatically cleared by reading CAN\_SR register.

- **RBSY: Receiver busy**

0 = CAN receiver is not receiving a frame.

1 = CAN receiver is receiving a frame.

Receiver busy. This status bit is set by hardware while CAN receiver is acquiring or monitoring a frame (remote, data, overload or error frame). It is automatically reset when CAN is not receiving.

- **TBSY: Transmitter busy**

0 = CAN transmitter is not transmitting a frame.

1 = CAN transmitter is transmitting a frame.

Transmitter busy. This status bit is set by hardware while CAN transmitter is generating a frame (remote, data, overload or error frame). It is automatically reset when CAN is not transmitting.

- **OVLSY: Overload busy**

0 = CAN transmitter is not transmitting an overload frame.

1 = CAN transmitter is transmitting a overload frame.

It is automatically reset when the bus is not transmitting an overload frame.

## 37.8.6 CAN Baudrate Register

**Name:** CAN\_BR  
**Access Type:** Read/Write

|    |        |     |    |    |        |    |     |
|----|--------|-----|----|----|--------|----|-----|
| 31 | 30     | 29  | 28 | 27 | 26     | 25 | 24  |
| -  | -      | -   | -  | -  | -      | -  | SMP |
| 23 | 22     | 21  | 20 | 19 | 18     | 17 | 16  |
| -  | BRP    |     |    |    |        |    |     |
| 15 | 14     | 13  | 12 | 11 | 10     | 9  | 8   |
| -  | -      | SJW |    | -  | PROPAG |    |     |
| 7  | 6      | 5   | 4  | 3  | 2      | 1  | 0   |
| -  | PHASE1 |     |    | -  | PHASE2 |    |     |

Any modification on one of the fields of the CANBR register must be done while CAN module is disabled.

To compute the different Bit Timings, please refer to the [Section 37.6.4.1 "CAN Bit Timing Configuration" on page 500](#).

- **PHASE2: Phase 2 segment**

This phase is used to compensate the edge phase error.

$$t_{PHS2} = t_{CSC} \times (PHASE2 + 1)$$

**Warning:** PHASE2 value must be different from 0.

- **PHASE1: Phase 1 segment**

This phase is used to compensate for edge phase error.

$$t_{PHS1} = t_{CSC} \times (PHASE1 + 1)$$

- **PROPAG: Programming time segment**

This part of the bit time is used to compensate for the physical delay times within the network.

$$t_{PRS} = t_{CSC} \times (PROPAG + 1)$$

- **SJW: Re-synchronization jump width**

To compensate for phase shifts between clock oscillators of different controllers on bus. The controller must re-synchronize on any relevant signal edge of the current transmission. The synchronization jump width defines the maximum of clock cycles a bit period may be shortened or lengthened by re-synchronization.

$$t_{SJW} = t_{CSC} \times (SJW + 1)$$

- **BRP: Baudrate Prescaler.**

This field allows user to program the period of the CAN system clock to determine the individual bit timing.

$$T_{csc} = (BRP + 1) / MCK$$

- **SMP: Sampling Mode**

0 = The incoming bit stream is sampled once at sample point.

1 = The incoming bit stream is sampled three times with a period of a MCK clock period, centered on sample point.

SMP Sampling Mode is automatically disabled if BRP = 0.

## 37.8.7 CAN Timer Register

**Name:** CAN\_TIM

**Access Type:** Read-only

|         |         |         |         |         |         |        |        |
|---------|---------|---------|---------|---------|---------|--------|--------|
| 31      | 30      | 29      | 28      | 27      | 26      | 25     | 24     |
| –       | –       | –       | –       | –       | –       | –      | –      |
| 23      | 22      | 21      | 20      | 19      | 18      | 17     | 16     |
| –       | –       | –       | –       | –       | –       | –      | –      |
| 15      | 14      | 13      | 12      | 11      | 10      | 9      | 8      |
| TIMER15 | TIMER14 | TIMER13 | TIMER12 | TIMER11 | TIMER10 | TIMER9 | TIMER8 |
| 7       | 6       | 5       | 4       | 3       | 2       | 1      | 0      |
| TIMER7  | TIMER6  | TIMER5  | TIMER4  | TIMER3  | TIMER2  | TIMER1 | TIMER0 |

- **TIMERx: Timer**

This field represents the internal CAN controller 16-bit timer value.

## 37.8.8 CAN Timestamp Register

**Name:** CAN\_TIMESTP

**Access Type:** Read-only

|                  |                  |                  |                  |                  |                  |                 |                 |
|------------------|------------------|------------------|------------------|------------------|------------------|-----------------|-----------------|
| 31               | 30               | 29               | 28               | 27               | 26               | 25              | 24              |
| –                | –                | –                | –                | –                | –                | –               | –               |
| 23               | 22               | 21               | 20               | 19               | 18               | 17              | 16              |
| –                | –                | –                | –                | –                | –                | –               | –               |
| 15               | 14               | 13               | 12               | 11               | 10               | 9               | 8               |
| MTIMESTAMP<br>15 | MTIMESTAMP<br>14 | MTIMESTAMP<br>13 | MTIMESTAMP<br>12 | MTIMESTAMP<br>11 | MTIMESTAMP<br>10 | MTIMESTAMP<br>9 | MTIMESTAMP<br>8 |
| 7                | 6                | 5                | 4                | 3                | 2                | 1               | 0               |
| MTIMESTAMP<br>7  | MTIMESTAMP<br>6  | MTIMESTAMP<br>5  | MTIMESTAMP<br>4  | MTIMESTAMP<br>3  | MTIMESTAMP<br>2  | MTIMESTAMP<br>1 | MTIMESTAMP<br>0 |

- **MTIMESTAMPx: Timestamp**

This field represents the internal CAN controller 16-bit timer value.

If the TEOF bit is cleared in the CAN\_MR register, the internal Timer Counter value is captured in the MTIMESTAMP field at each start of frame. Else the value is captured at each end of frame. When the value is captured, the TSTP flag is set in the CAN\_SR register. If the TSTP mask in the CAN\_IMR register is set, an interrupt is generated while TSTP flag is set in the CAN\_SR register. This flag is cleared by reading the CAN\_SR register.

Note: The CAN\_TIMESTP register is reset when the CAN is disabled then enabled thanks to the CANEN bit in the CAN\_MR.

## 37.8.9 CAN Error Counter Register

**Name:** CAN\_ECR

**Access Type:** Read-only

|     |    |    |    |    |    |    |    |
|-----|----|----|----|----|----|----|----|
| 31  | 30 | 29 | 28 | 27 | 26 | 25 | 24 |
| –   | –  | –  | –  | –  | –  | –  | –  |
| 23  | 22 | 21 | 20 | 19 | 18 | 17 | 16 |
| TEC |    |    |    |    |    |    |    |
| 15  | 14 | 13 | 12 | 11 | 10 | 9  | 8  |
| –   | –  | –  | –  | –  | –  | –  | –  |
| 7   | 6  | 5  | 4  | 3  | 2  | 1  | 0  |
| REC |    |    |    |    |    |    |    |

### • REC: Receive Error Counter

When a receiver detects an error, REC will be increased by one, except when the detected error is a BIT ERROR while sending an ACTIVE ERROR FLAG or an OVERLOAD FLAG.

When a receiver detects a dominant bit as the first bit after sending an ERROR FLAG, REC is increased by 8.

When a receiver detects a BIT ERROR while sending an ACTIVE ERROR FLAG, REC is increased by 8.

Any node tolerates up to 7 consecutive dominant bits after sending an ACTIVE ERROR FLAG, PASSIVE ERROR FLAG or OVERLOAD FLAG. After detecting the 14th consecutive dominant bit (in case of an ACTIVE ERROR FLAG or an OVERLOAD FLAG) or after detecting the 8th consecutive dominant bit following a PASSIVE ERROR FLAG, and after each sequence of additional eight consecutive dominant bits, each receiver increases its REC by 8.

After successful reception of a message, REC is decreased by 1 if it was between 1 and 127. If REC was 0, it stays 0, and if it was greater than 127, then it is set to a value between 119 and 127.

### • TEC: Transmit Error Counter

When a transmitter sends an ERROR FLAG, TEC is increased by 8 except when

- the transmitter is error passive and detects an ACKNOWLEDGMENT ERROR because of not detecting a dominant ACK and does not detect a dominant bit while sending its PASSIVE ERROR FLAG.
- the transmitter sends an ERROR FLAG because a STUFF ERROR occurred during arbitration and should have been recessive and has been sent as recessive but monitored as dominant.

When a transmitter detects a BIT ERROR while sending an ACTIVE ERROR FLAG or an OVERLOAD FLAG, the TEC will be increased by 8.

Any node tolerates up to 7 consecutive dominant bits after sending an ACTIVE ERROR FLAG, PASSIVE ERROR FLAG or OVERLOAD FLAG. After detecting the 14th consecutive dominant bit (in case of an ACTIVE ERROR FLAG or an OVERLOAD FLAG) or after detecting the 8th consecutive dominant bit following a PASSIVE ERROR FLAG, and after each sequence of additional eight consecutive dominant bits every transmitter increases its TEC by 8.

After a successful transmission the TEC is decreased by 1 unless it was already 0.

## 37.8.10 CAN Transfer Command Register

**Name:** CAN\_TCR

**Access Type:** Write-only

|        |     |     |     |     |     |     |     |
|--------|-----|-----|-----|-----|-----|-----|-----|
| 31     | 30  | 29  | 28  | 27  | 26  | 25  | 24  |
| TIMRST | –   | –   | –   | –   | –   | –   | –   |
| 23     | 22  | 21  | 20  | 19  | 18  | 17  | 16  |
| –      | –   | –   | –   | –   | –   | –   | –   |
| 15     | 14  | 13  | 12  | 11  | 10  | 9   | 8   |
| –      | –   | –   | –   | –   | –   | –   | –   |
| 7      | 6   | 5   | 4   | 3   | 2   | 1   | 0   |
| MB7    | MB6 | MB5 | MB4 | MB3 | MB2 | MB1 | MB0 |

This register initializes several transfer requests at the same time.

- **MBx: Transfer Request for Mailbox x**

| Mailbox Object Type    | Description  |
|------------------------|--|
| Receive                | It receives the next message.  |
| Receive with overwrite | This triggers a new reception.   |
| Transmit               | Sends data prepared in the mailbox as soon as possible.                            |
| Consumer               | Sends a remote frame.  |
| Producer               | Sends data prepared in the mailbox after receiving a remote frame from a consumer. |

This flag clears the MRDY and MABT flags in the corresponding CAN\_MSRx register.

When several mailboxes are requested to be transmitted simultaneously, they are transmitted in turn, starting with the mailbox with the highest priority. If several mailboxes have the same priority, then the mailbox with the lowest number is sent first (i.e., MB0 will be transferred before MB1).

- **TIMRST: Timer Reset**

Resets the internal timer counter. If the internal timer counter is frozen, this command automatically re-enables it. This command is useful in Time Triggered mode.

## 37.8.11 CAN Abort Command Register

**Name:** CAN\_ACR

**Access Type:** Write-only

|     |     |     |     |     |     |     |     |
|-----|-----|-----|-----|-----|-----|-----|-----|
| 31  | 30  | 29  | 28  | 27  | 26  | 25  | 24  |
| –   | –   | –   | –   | –   | –   | –   | –   |
| 23  | 22  | 21  | 20  | 19  | 18  | 17  | 16  |
| –   | –   | –   | –   | –   | –   | –   | –   |
| 15  | 14  | 13  | 12  | 11  | 10  | 9   | 8   |
| –   | –   | –   | –   | –   | –   | –   | –   |
| 7   | 6   | 5   | 4   | 3   | 2   | 1   | 0   |
| MB7 | MB6 | MB5 | MB4 | MB3 | MB2 | MB1 | MB0 |

This register initializes several abort requests at the same time.

- **MBx: Abort Request for Mailbox x**

| Mailbox Object Type    | Description  |
|------------------------|--|
| Receive                | No action  |
| Receive with overwrite | No action  |
| Transmit               | Cancels transfer request if the message has not been transmitted to the CAN transceiver. |
| Consumer               | Cancels the current transfer before the remote frame has been sent.                      |
| Producer               | Cancels the current transfer. The next remote frame is not serviced.                     |

It is possible to set MACR field (in the CAN\_MCRx register) for each mailbox.



## 37.8.12 CAN Message Mode Register

**Name:** CAN\_MMRx

**Access Type:** Read/Write

|                 |                 |                 |                 |                 |                 |            |            |
|-----------------|-----------------|-----------------|-----------------|-----------------|-----------------|------------|------------|
| 31              | 30              | 29              | 28              | 27              | 26              | 25         | 24         |
| -               | -               | -               | -               | -               | MOT             |            |            |
| 23              | 22              | 21              | 20              | 19              | 18              | 17         | 16         |
| -               | -               | -               | -               | PRIOR           |                 |            |            |
| 15              | 14              | 13              | 12              | 11              | 10              | 9          | 8          |
| MTIMEMARK<br>15 | MTIMEMARK<br>14 | MTIMEMARK<br>13 | MTIMEMARK<br>12 | MTIMEMARK<br>11 | MTIMEMARK<br>10 | MTIMEMARK9 | MTIMEMARK8 |
| 7               | 6               | 5               | 4               | 3               | 2               | 1          | 0          |
| MTIMEMARK7      | MTIMEMARK6      | MTIMEMARK5      | MTIMEMARK4      | MTIMEMARK3      | MTIMEMARK2      | MTIMEMARK1 | MTIMEMARK0 |

- **MTIMEMARK: Mailbox Timemark**

This field is active in Time Triggered Mode. Transmit operations are allowed when the internal timer counter reaches the Mailbox Timemark. See ["Transmitting within a Time Window" on page 518](#).

In Timestamp Mode, MTIMEMARK is set to 0.

- **PRIOR: Mailbox Priority**

This field has no effect in receive and receive with overwrite modes. In these modes, the mailbox with the lowest number is serviced first.

When several mailboxes try to transmit a message at the same time, the mailbox with the highest priority is serviced first. If several mailboxes have the same priority, the mailbox with the lowest number is serviced first (i.e., MBx0 is serviced before MBx 15 if they have the same priority).

- **MOT: Mailbox Object Type**

This field allows the user to define the type of the mailbox. All mailboxes are independently configurable. Five different types are possible for each mailbox:

| MOT |   |   | Mailbox Object Type  |
|-----|---|---|--|
| 0   | 0 | 0 | Mailbox is disabled. This prevents receiving or transmitting any messages with this mailbox.   |
| 0   | 0 | 1 | Reception Mailbox. Mailbox is configured for reception. If a message is received while the mailbox data register is full, it is discarded.                               |
| 0   | 1 | 0 | Reception mailbox with overwrite. Mailbox is configured for reception. If a message is received while the mailbox is full, it overwrites the previous message.           |
| 0   | 1 | 1 | Transmit mailbox. Mailbox is configured for transmission.  |
| 1   | 0 | 0 | Consumer Mailbox. Mailbox is configured in reception but behaves as a Transmit Mailbox, i.e., it sends a remote frame and waits for an answer.                           |
| 1   | 0 | 1 | Producer Mailbox. Mailbox is configured in transmission but also behaves like a reception mailbox, i.e., it waits to receive a Remote Frame before sending its contents. |
| 1   | 1 | X | Reserved   |

## 37.8.13 CAN Message Acceptance Mask Register

**Name:** CAN\_MAMx

**Access Type:** Read/Write

|       |    |      |       |    |    |       |    |
|-------|----|------|-------|----|----|-------|----|
| 31    | 30 | 29   | 28    | 27 | 26 | 25    | 24 |
| -     |    | MIDE | MIDvA |    |    |       |    |
| 23    | 22 | 21   | 20    | 19 | 18 | 17    | 16 |
| MIDvA |    |      |       |    |    | MIDvB |    |
| 15    | 14 | 13   | 12    | 11 | 10 | 9     | 8  |
| MIDvB |    |      |       |    |    |       |    |
| 7     | 6  | 5    | 4     | 3  | 2  | 1     | 0  |
| MIDvB |    |      |       |    |    |       |    |

To prevent concurrent access with the internal CAN core, the application must disable the mailbox before writing to CAN\_MAMx registers.

- **MIDvB: Complementary bits for identifier in extended frame mode**

Acceptance mask for corresponding field of the message IDvB register of the mailbox.

- **MIDvA: Identifier for standard frame mode**

Acceptance mask for corresponding field of the message IDvA register of the mailbox.

- **MIDE: Identifier Version**

0= Compares IDvA from the received frame with the CAN\_MIDx register masked with CAN\_MAMx register.

1= Compares IDvA and IDvB from the received frame with the CAN\_MIDx register masked with CAN\_MAMx register.

## 37.8.14 CAN Message ID Register

**Name:** CAN\_MIDx

**Access Type:** Read/Write



To prevent concurrent access with the internal CAN core, the application must disable the mailbox before writing to CAN\_MIDx registers.

- **MIDvB: Complementary bits for identifier in extended frame mode**

If MIDE is cleared, MIDvB value is 0.

- **MIDE: Identifier Version**

This bit allows the user to define the version of messages processed by the mailbox. If set, mailbox is dealing with version 2.0 Part B messages; otherwise, mailbox is dealing with version 2.0 Part A messages.

- **MIDvA: Identifier for standard frame mode**

## 37.8.15 CAN Message Family ID Register

**Name:** CAN\_MFIDx

**Access Type:** Read-only

|      |    |    |      |    |    |    |    |
|------|----|----|------|----|----|----|----|
| 31   | 30 | 29 | 28   | 27 | 26 | 25 | 24 |
| –    | –  | –  | MFID |    |    |    |    |
| 23   | 22 | 21 | 20   | 19 | 18 | 17 | 16 |
| MFID |    |    |      |    |    |    |    |
| 15   | 14 | 13 | 12   | 11 | 10 | 9  | 8  |
| MFID |    |    |      |    |    |    |    |
| 7    | 6  | 5  | 4    | 3  | 2  | 1  | 0  |
| MFID |    |    |      |    |    |    |    |

- **MFID: Family ID**

This field contains the concatenation of CAN\_MIDx register bits masked by the CAN\_MAMx register. This field is useful to speed up message ID decoding. The message acceptance procedure is described below.

As an example:

```
CAN_MIDx = 0x305A4321
CAN_MAMx = 0x3FF0F0FF
CAN_MFIDx = 0x000000A3
```

## 37.8.16 CAN Message Status Register

**Name:** CAN\_MSRx

**Access Type:** Read only

|                  |                  |                  |                  |                  |                  |                 |                 |
|------------------|------------------|------------------|------------------|------------------|------------------|-----------------|-----------------|
| 31               | 30               | 29               | 28               | 27               | 26               | 25              | 24              |
| –                | –                | –                | –                | –                | –                | –               | MMI             |
| 23               | 22               | 21               | 20               | 19               | 18               | 17              | 16              |
| MRDY             | MABT             | –                | MRTR             | MDLC             |                  |                 |                 |
| 15               | 14               | 13               | 12               | 11               | 10               | 9               | 8               |
| MTIMESTAMP<br>15 | MTIMESTAMP<br>14 | MTIMESTAMP<br>13 | MTIMESTAMP<br>12 | MTIMESTAMP<br>11 | MTIMESTAMP<br>10 | MTIMESTAMP<br>9 | MTIMESTAMP<br>8 |
| 7                | 6                | 5                | 4                | 3                | 2                | 1               | 0               |
| MTIMESTAMP<br>7  | MTIMESTAMP<br>6  | MTIMESTAMP<br>5  | MTIMESTAMP<br>4  | MTIMESTAMP<br>3  | MTIMESTAMP<br>2  | MTIMESTAMP<br>1 | MTIMESTAMP<br>0 |

These register fields are updated each time a message transfer is received or aborted.

MMI is cleared by reading the CAN\_MSRx register.

MRDY, MABT are cleared by writing MTCR or MACR in the CAN\_MCRx register.

**Warning:** MRTR and MDLC state depends partly on the mailbox object type.

- **MTIMESTAMP: Timer value**

This field is updated only when time-triggered operations are disabled (TTM cleared in CAN\_MR register). If the TEOF field in the CAN\_MR register is cleared, TIMESTAMP is the internal timer value at the start of frame of the last message received or sent by the mailbox. If the TEOF field in the CAN\_MR register is set, TIMESTAMP is the internal timer value at the end of frame of the last message received or sent by the mailbox.

In Time Triggered Mode, MTIMESTAMP is set to 0.

- **MDLC: Mailbox Data Length Code**

| Mailbox Object Type    | Description   |
|------------------------|---|
| Receive                | Length of the first mailbox message received                              |
| Receive with overwrite | Length of the last mailbox message received                               |
| Transmit               | No action   |
| Consumer               | Length of the mailbox message received                                    |
| Producer               | Length of the mailbox message to be sent after the remote frame reception |

- **MRTR: Mailbox Remote Transmission Request**

| Mailbox Object Type    | Description   |
|------------------------|---|
| Receive                | The first frame received has the RTR bit set.                             |
| Receive with overwrite | The last frame received has the RTR bit set.                              |
| Transmit               | Reserved  |
| Consumer               | Reserved. After setting the MOT field in the CAN_MMR, MRTR is reset to 1. |
| Producer               | Reserved. After setting the MOT field in the CAN_MMR, MRTR is reset to 0. |

- **MABT: Mailbox Message Abort**

An interrupt is triggered when MABT is set.

0 = Previous transfer is not aborted.

1 = Previous transfer has been aborted.

This flag is cleared by writing to CAN\_MCRx register

| Mailbox Object Type    | Description   |
|------------------------|---|
| Receive                | Reserved  |
| Receive with overwrite | Reserved  |
| Transmit               | Previous transfer has been aborted                          |
| Consumer               | The remote frame transfer request has been aborted.         |
| Producer               | The response to the remote frame transfer has been aborted. |

- **MRDY: Mailbox Ready**

An interrupt is triggered when MRDY is set.

0 = Mailbox data registers can not be read/written by the software application. CAN\_MDx are locked by the CAN\_MDx.

1 = Mailbox data registers can be read/written by the software application.

This flag is cleared by writing to CAN\_MCRx register.

| Mailbox Object Type    | Description  |
|------------------------|--|
| Receive                | At least one message has been received since the last mailbox transfer order. Data from the first frame received can be read in the CAN_MDxx registers.<br>After setting the MOT field in the CAN_MMR, MRDY is reset to 0.   |
| Receive with overwrite | At least one frame has been received since the last mailbox transfer order. Data from the last frame received can be read in the CAN_MDxx registers.<br>After setting the MOT field in the CAN_MMR, MRDY is reset to 0.      |
| Transmit               | Mailbox data have been transmitted.<br>After setting the MOT field in the CAN_MMR, MRDY is reset to 1.   |
| Consumer               | At least one message has been received since the last mailbox transfer order. Data from the first message received can be read in the CAN_MDxx registers.<br>After setting the MOT field in the CAN_MMR, MRDY is reset to 0. |
| Producer               | A remote frame has been received, mailbox data have been transmitted.<br>After setting the MOT field in the CAN_MMR, MRDY is reset to 1.   |

- **MMI: Mailbox Message Ignored**

0 = No message has been ignored during the previous transfer

1 = At least one message has been ignored during the previous transfer

Cleared by reading the CAN\_MSRx register.

| Mailbox Object Type    | Description  |
|------------------------|--|
| Receive                | Set when at least two messages intended for the mailbox have been sent. The first one is available in the mailbox data register. Others have been ignored. A mailbox with a lower priority may have accepted the message.                    |
| Receive with overwrite | Set when at least two messages intended for the mailbox have been sent. The last one is available in the mailbox data register. Previous ones have been lost.  |
| Transmit               | Reserved   |
| Consumer               | A remote frame has been sent by the mailbox but several messages have been received. The first one is available in the mailbox data register. Others have been ignored. Another mailbox with a lower priority may have accepted the message. |
| Producer               | A remote frame has been received, but no data are available to be sent.  |

## 37.8.17 CAN Message Data Low Register

**Name:** CAN\_MDLx

**Access Type:** Read/Write

|     |    |    |    |    |    |    |    |
|-----|----|----|----|----|----|----|----|
| 31  | 30 | 29 | 28 | 27 | 26 | 25 | 24 |
| MDL |    |    |    |    |    |    |    |
| 23  | 22 | 21 | 20 | 19 | 18 | 17 | 16 |
| MDL |    |    |    |    |    |    |    |
| 15  | 14 | 13 | 12 | 11 | 10 | 9  | 8  |
| MDL |    |    |    |    |    |    |    |
| 7   | 6  | 5  | 4  | 3  | 2  | 1  | 0  |
| MDL |    |    |    |    |    |    |    |

- **MDL: Message Data Low Value**

When MRDY field is set in the CAN\_MSRx register, the lower 32 bits of a received message can be read or written by the software application. Otherwise, the MDH value is locked by the CAN controller to send/receive a new message.

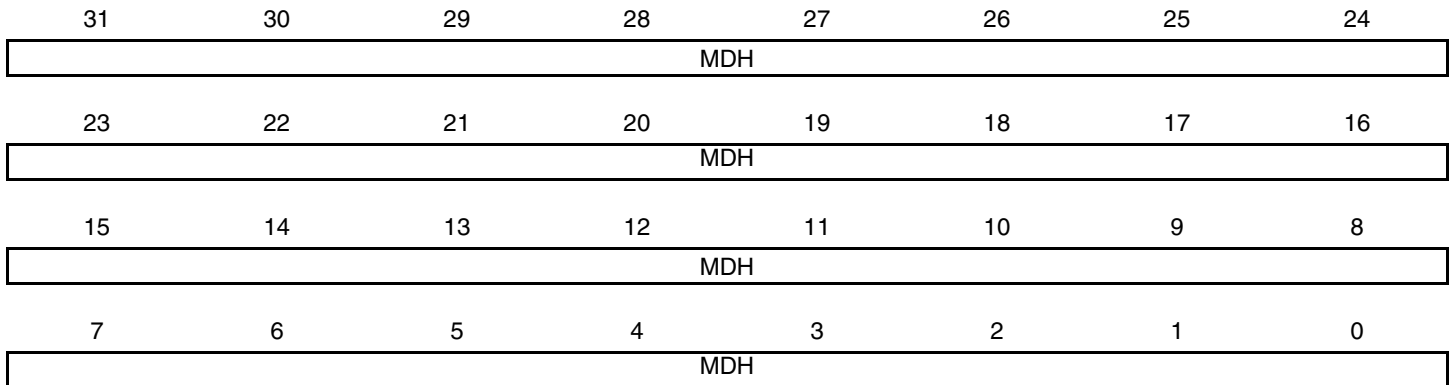
In Receive with overwrite, the CAN controller may modify MDL value while the software application reads MDH and MDL registers. To check that MDH and MDL do not belong to different messages, the application has to check the MMI field in the CAN\_MSRx register. In this mode, the software application must re-read CAN\_MDH and CAN\_MDL, while the MMI bit in the CAN\_MSRx register is set.



## 37.8.18 CAN Message Data High Register

**Name:** CAN\_MDHx

**Access Type:** Read/Write



- **MDH: Message Data High Value**

When MRDY field is set in the CAN\_MSRx register, the upper 32 bits of a received message are read or written by the software application. Otherwise, the MDH value is locked by the CAN controller to send/receive a new message.

In Receive with overwrite, the CAN controller may modify MDH value while the software application reads MDH and MDL registers. To check that MDH and MDL do not belong to different messages, the application has to check the MMI field in the CAN\_MSRx register. In this mode, the software application must re-read CAN\_MDH and CAN\_MDL, while the MMI bit in the CAN\_MSRx register is set.

## 37.8.19 CAN Message Control Register

**Name:** CAN\_MCRx

**Access Type:** Write-only

|      |      |    |      |      |    |    |    |
|------|------|----|------|------|----|----|----|
| 31   | 30   | 29 | 28   | 27   | 26 | 25 | 24 |
| –    | –    | –  | –    | –    | –  | –  | –  |
| 23   | 22   | 21 | 20   | 19   | 18 | 17 | 16 |
| MTCR | MACR | –  | MRTR | MDLC |    |    |    |
| 15   | 14   | 13 | 12   | 11   | 10 | 9  | 8  |
| –    | –    | –  | –    | –    | –  | –  | –  |
| 7    | 6    | 5  | 4    | 3    | 2  | 1  | 0  |
| –    | –    | –  | –    | –    | –  | –  | –  |

- **MDLC: Mailbox Data Length Code**

| Mailbox Object Type    | Description  |
|------------------------|--|
| Receive                | No action.   |
| Receive with overwrite | No action.   |
| Transmit               | Length of the mailbox message.   |
| Consumer               | No action.   |
| Producer               | Length of the mailbox message to be sent after the remote frame reception. |

- **MRTR: Mailbox Remote Transmission Request**

| Mailbox Object Type    | Description   |
|------------------------|---|
| Receive                | No action   |
| Receive with overwrite | No action   |
| Transmit               | Set the RTR bit in the sent frame                             |
| Consumer               | No action, the RTR bit in the sent frame is set automatically |
| Producer               | No action   |

Consumer situations can be handled automatically by setting the mailbox object type in Consumer. This requires only one mailbox.

It can also be handled using two mailboxes, one in reception, the other in transmission. The MRTR and the MTCR bits must be set in the same time.

- **MACR: Abort Request for Mailbox x**

| Mailbox Object Type    | Description  |
|------------------------|--|
| Receive                | No action  |
| Receive with overwrite | No action  |
| Transmit               | Cancels transfer request if the message has not been transmitted to the CAN transceiver. |
| Consumer               | Cancels the current transfer before the remote frame has been sent.                      |
| Producer               | Cancels the current transfer. The next remote frame will not be serviced.                |

It is possible to set MACR field for several mailboxes in the same time, setting several bits to the CAN\_ACR register.

- **MTCR: Mailbox Transfer Command**

| Mailbox Object Type    | Description  |
|------------------------|--|
| Receive                | Allows the reception of the next message.  |
| Receive with overwrite | Triggers a new reception.  |
| Transmit               | Sends data prepared in the mailbox as soon as possible.                            |
| Consumer               | Sends a remote transmission frame.   |
| Producer               | Sends data prepared in the mailbox after receiving a remote frame from a Consumer. |

This flag clears the MRDY and MABT flags in the CAN\_MSRx register.

When several mailboxes are requested to be transmitted simultaneously, they are transmitted in turn. The mailbox with the highest priority is serviced first. If several mailboxes have the same priority, the mailbox with the lowest number is serviced first (i.e., MBx0 will be serviced before MBx 15 if they have the same priority).

It is possible to set MTCR for several mailboxes at the same time by writing to the CAN\_TCR register.



## 38. Ethernet MAC 10/100 (EMAC)

### 38.1 Overview

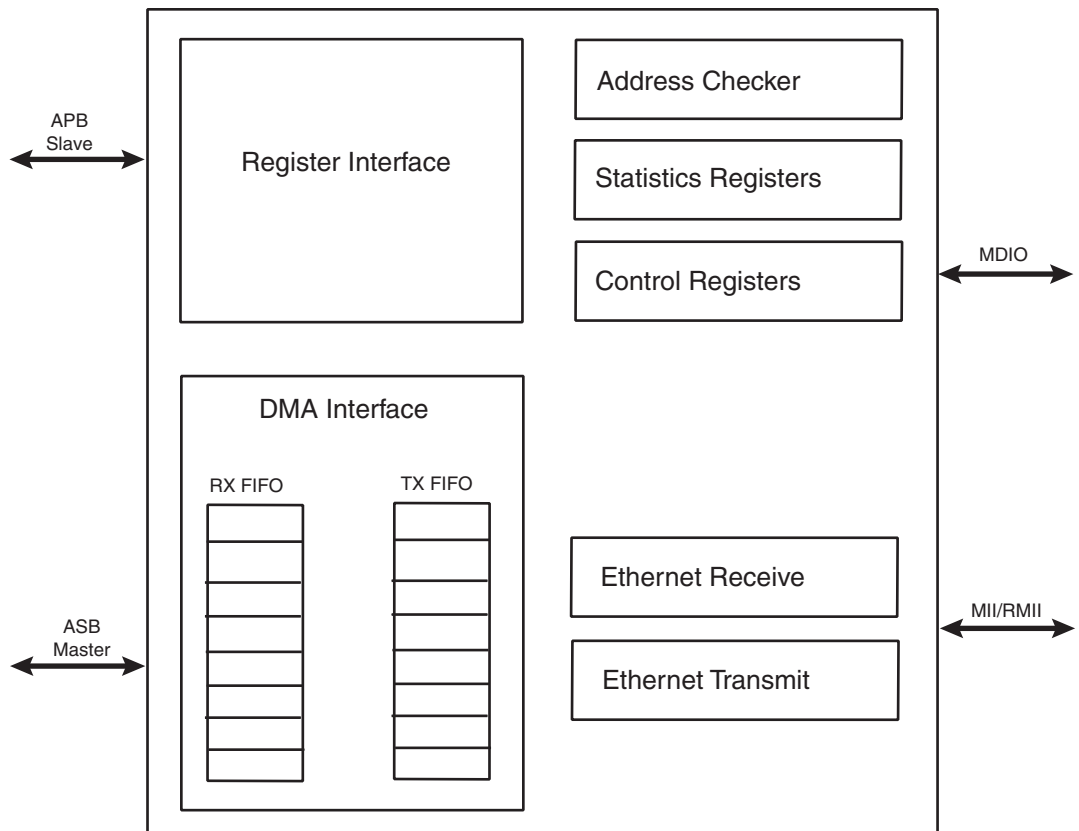
The EMAC module implements a 10/100 Ethernet MAC compatible with the IEEE 802.3 standard using an address checker, statistics and control registers, receive and transmit blocks, and a DMA interface.

The address checker recognizes four specific 48-bit addresses and contains a 64-bit hash register for matching multicast and unicast addresses. It can recognize the broadcast address of all ones, copy all frames, and act on an external address match signal.

The statistics register block contains registers for counting various types of event associated with transmit and receive operations. These registers, along with the status words stored in the receive buffer list, enable software to generate network management statistics compatible with IEEE 802.3.

### 38.2 Block Diagram

**Figure 38-1.** EMAC Block Diagram



## 38.3 Functional Description

Figure 38-1 illustrates the different blocks of the EMAC module.

The control registers drive the MDIO interface, setup up DMA activity, start frame transmission and select modes of operation such as full- or half-duplex.

The receive block checks for valid preamble, FCS, alignment and length, and presents received frames to the address checking block and DMA interface.

The transmit block takes data from the DMA interface, adds preamble and, if necessary, pad and FCS, and transmits data according to the CSMA/CD (carrier sense multiple access with collision detect) protocol. The start of transmission is deferred if CRS (carrier sense) is active.

If COL (collision) becomes active during transmission, a jam sequence is asserted and the transmission is retried after a random back off. CRS and COL have no effect in full duplex mode.

The DMA block connects to external memory through its ASB bus interface. It contains receive and transmit FIFOs for buffering frame data. It loads the transmit FIFO and empties the receive FIFO using ASB bus master operations. Receive data is not sent to memory until the address checking logic has determined that the frame should be copied. Receive or transmit frames are stored in one or more buffers. Receive buffers have a fixed length of 128 bytes. Transmit buffers range in length between 0 and 2047 bytes, and up to 128 buffers are permitted per frame. The DMA block manages the transmit and receive framebuffer queues. These queues can hold multiple frames.

### 38.3.1 Memory Interface

Frame data is transferred to and from the EMAC through the DMA interface. All transfers are 32-bit words and may be single accesses or bursts of 2, 3 or 4 words. Burst accesses do not cross sixteen-byte boundaries. Bursts of 4 words are the default data transfer; single accesses or bursts of less than four words may be used to transfer data at the beginning or the end of a buffer.

The DMA controller performs six types of operation on the bus. In order of priority, these are:

1. Receive buffer manager write
2. Receive buffer manager read
3. Transmit data DMA read
4. Receive data DMA write
5. Transmit buffer manager read
6. Transmit buffer manager write

#### 38.3.1.1 FIFO

The FIFO depths are 28 bytes and 28 bytes and area function of the system clock speed, memory latency and network speed.

Data is typically transferred into and out of the FIFOs in bursts of four words. For receive, a bus request is asserted when the FIFO contains four words and has space for three more. For transmit, a bus request is generated when there is space for four words, or when there is space for two words if the next transfer is to be only one or two words.

Thus the bus latency must be less than the time it takes to load the FIFO and transmit or receive three words (12 bytes) of data.

At 100 Mbit/s, it takes 960 ns to transmit or receive 12 bytes of data. In addition, six master clock cycles should be allowed for data to be loaded from the bus and to propagate through the FIFOs. For a 60 MHz master clock this takes 100 ns, making the bus latency requirement 860 ns.

### 38.3.1.2 Receive Buffers

Received frames, including CRC/FCS optionally, are written to receive buffers stored in memory. Each receive buffer is 128 bytes long. The start location for each receive buffer is stored in memory in a list of receive buffer descriptors at a location pointed to by the receive buffer queue pointer register. The receive buffer start location is a word address. For the first buffer of a frame, the start location can be offset by up to three bytes depending on the value written to bits 14 and 15 of the network configuration register. If the start location of the buffer is offset the available length of the first buffer of a frame is reduced by the corresponding number of bytes.

Each list entry consists of two words, the first being the address of the receive buffer and the second being the receive status. If the length of a receive frame exceeds the buffer length, the status word for the used buffer is written with zeroes except for the “start of frame” bit and the offset bits, if appropriate. Bit zero of the address field is written to one to show the buffer has been used. The receive buffer manager then reads the location of the next receive buffer and fills that with receive frame data. The final buffer descriptor status word contains the complete frame status. Refer to [Table 38-1](#) for details of the receive buffer descriptor list.

**Table 38-1.** Receive Buffer Descriptor Entry

| Bit    | Function   |
|--------|--|
| Word 0 |  |
| 31:2   | Address of beginning of buffer   |
| 1      | Wrap - marks last descriptor in receive buffer descriptor list.  |
| 0      | Ownership - needs to be zero for the EMAC to write data to the receive buffer. The EMAC sets this to one once it has successfully written a frame to memory. Software has to clear this bit before the buffer can be used again. |
| Word 1 |  |
| 31     | Global all ones broadcast address detected   |
| 30     | Multicast hash match   |
| 29     | Unicast hash match   |
| 28     | External address match   |
| 27     | Reserved for future use  |
| 26     | Specific address register 1 match  |
| 25     | Specific address register 2 match  |
| 24     | Specific address register 3 match  |
| 23     | Specific address register 4 match  |
| 22     | Type ID match  |
| 21     | VLAN tag detected (i.e., type id of 0x8100)  |
| 20     | Priority tag detected (i.e., type id of 0x8100 and null VLAN identifier)   |
| 19:17  | VLAN priority (only valid if bit 21 is set)  |

**Table 38-1.** Receive Buffer Descriptor Entry (Continued)

| Bit   | Function  |
|-------|---|
| 16    | Concatenation format indicator (CFI) bit (only valid if bit 21 is set)  |
| 15    | End of frame - when set the buffer contains the end of a frame. If end of frame is not set, then the only other valid status are bits 12, 13 and 14.  |
| 14    | Start of frame - when set the buffer contains the start of a frame. If both bits 15 and 14 are set, then the buffer contains a whole frame.   |
| 13:12 | Receive buffer offset - indicates the number of bytes by which the data in the first buffer is offset from the word address. Updated with the current values of the network configuration register. If jumbo frame mode is enabled through bit 3 of the network configuration register, then bits 13:12 of the receive buffer descriptor entry are used to indicate bits 13:12 of the frame length. |
| 11:0  | Length of frame including FCS (if selected). Bits 13:12 are also used if jumbo frame mode is selected.  |

To receive frames, the buffer descriptors must be initialized by writing an appropriate address to bits 31 to 2 in the first word of each list entry. Bit zero must be written with zero. Bit one is the wrap bit and indicates the last entry in the list.

The start location of the receive buffer descriptor list must be written to the receive buffer queue pointer register before setting the receive enable bit in the network control register to enable receive. As soon as the receive block starts writing received frame data to the receive FIFO, the receive buffer manager reads the first receive buffer location pointed to by the receive buffer queue pointer register.

If the filter block then indicates that the frame should be copied to memory, the receive data DMA operation starts writing data into the receive buffer. If an error occurs, the buffer is recovered. If the current buffer pointer has its wrap bit set or is the 1024<sup>th</sup> descriptor, the next receive buffer location is read from the beginning of the receive descriptor list. Otherwise, the next receive buffer location is read from the next word in memory.

There is an 11-bit counter to count out the 2048 word locations of a maximum length, receive buffer descriptor list. This is added with the value originally written to the receive buffer queue pointer register to produce a pointer into the list. A read of the receive buffer queue pointer register returns the pointer value, which is the queue entry currently being accessed. The counter is reset after receive status is written to a descriptor that has its wrap bit set or rolls over to zero after 1024 descriptors have been accessed. The value written to the receive buffer pointer register may be any word-aligned address, provided that there are at least 2048 word locations available between the pointer and the top of the memory.

Section 3.6 of the AMBA™ 2.0 specification states that bursts should not cross 1K boundaries. As receive buffer manager writes are bursts of two words, to ensure that this does not occur, it is best to write the pointer register with the least three significant bits set to zero. As receive buffers are used, the receive buffer manager sets bit zero of the first word of the descriptor to indicate *used*. If a receive error is detected the receive buffer currently being written is recovered. Previous buffers are not recovered. Software should search through the *used* bits in the buffer descriptors to find out how many frames have been received. It should be checking the start-of-frame and end-of-frame bits, and not rely on the value returned by the receive buffer queue pointer register which changes continuously as more buffers are used.

For CRC errored frames, excessive length frames or length field mismatched frames, all of which are counted in the statistics registers, it is possible that a frame fragment might be stored



in a sequence of receive buffers. Software can detect this by looking for start of frame bit set in a buffer following a buffer with no end of frame bit set.

For a properly working Ethernet system, there should be no excessively long frames or frames greater than 128 bytes with CRC/FCS errors. Collision fragments are less than 128 bytes long. Therefore, it is a rare occurrence to find a frame fragment in a receive buffer.

If bit zero is set when the receive buffer manager reads the location of the receive buffer, then the buffer has already been used and cannot be used again until software has processed the frame and cleared bit zero. In this case, the DMA block sets the buffer not available bit in the receive status register and triggers an interrupt.

If bit zero is set when the receive buffer manager reads the location of the receive buffer and a frame is being received, the frame is discarded and the receive resource error statistics register is incremented.

A receive overrun condition occurs when bus was not granted in time or because HRESP was not OK (bus error). In a receive overrun condition, the receive overrun interrupt is asserted and the buffer currently being written is recovered. The next frame received with an address that is recognized reuses the buffer.

If bit 17 of the network configuration register is set, the FCS of received frames shall not be copied to memory. The frame length indicated in the receive status field shall be reduced by four bytes in this case.

### 38.3.1.3 Transmit Buffer

Frames to be transmitted are stored in one or more transmit buffers. Transmit buffers can be between 0 and 2047 bytes long, so it is possible to transmit frames longer than the maximum length specified in IEEE Standard 802.3. Zero length buffers are allowed. The maximum number of buffers permitted for each transmit frame is 128.

The start location for each transmit buffer is stored in memory in a list of transmit buffer descriptors at a location pointed to by the transmit buffer queue pointer register. Each list entry consists of two words, the first being the byte address of the transmit buffer and the second containing the transmit control and status. Frames can be transmitted with or without automatic CRC generation. If CRC is automatically generated, pad is also automatically generated to take frames to a minimum length of 64 bytes. [Table 38-2 on page 554](#) defines an entry in the transmit buffer descriptor list. To transmit frames, the buffer descriptors must be initialized by writing an appropriate byte address to bits 31 to 0 in the first word of each list entry. The second transmit buffer descriptor is initialized with control information that indicates the length of the buffer, whether or not it is to be transmitted with CRC and whether the buffer is the last buffer in the frame.

After transmission, the control bits are written back to the second word of the first buffer along with the “used” bit and other status information. Bit 31 is the “used” bit which must be zero when the control word is read if transmission is to happen. It is written to one when a frame has been transmitted. Bits 27, 28 and 29 indicate various transmit error conditions. Bit 30 is the “wrap” bit which can be set for any buffer within a frame. If no wrap bit is encountered after 1024 descriptors, the queue pointer rolls over to the start in a similar fashion to the receive queue.

The transmit buffer queue pointer register must not be written while transmit is active. If a new value is written to the transmit buffer queue pointer register, the queue pointer resets itself to point to the beginning of the new queue. If transmit is disabled by writing to bit 3 of the network control, the transmit buffer queue pointer register resets to point to the beginning of the transmit queue. Note that disabling receive does not have the same effect on the receive queue pointer.

Once the transmit queue is initialized, transmit is activated by writing to bit 9, the *Transmit Start* bit of the network control register. Transmit is halted when a buffer descriptor with its *used* bit set is read, or if a transmit error occurs, or by writing to the transmit halt bit of the network control register. (Transmission is suspended if a pause frame is received while the pause enable bit is set in the network configuration register.) Rewriting the start bit while transmission is active is allowed.

Transmission control is implemented with a Tx\_go variable which is readable in the transmit status register at bit location 3. The Tx\_go variable is reset when:

- transmit is disabled
- a buffer descriptor with its ownership bit set is read
- a new value is written to the transmit buffer queue pointer register
- bit 10, tx\_halt, of the network control register is written
- there is a transmit error such as too many retries or a transmit underrun.

To set tx\_go, write to bit 9, tx\_start, of the network control register. Transmit halt does not take effect until any ongoing transmit finishes. If a collision occurs during transmission of a multi-buffer frame, transmission automatically restarts from the first buffer of the frame. If a “used” bit is read midway through transmission of a multi-buffer frame, this is treated as a transmit error. Transmission stops, tx\_er is asserted and the FCS is bad.

If transmission stops due to a transmit error, the transmit queue pointer resets to point to the beginning of the transmit queue. Software needs to re-initialize the transmit queue after a transmit error.

If transmission stops due to a “used” bit being read at the start of the frame, the transmission queue pointer is not reset and transmit starts from the same transmit buffer descriptor when the transmit start bit is written

**Table 38-2.** Transmit Buffer Descriptor Entry

| Bit    | Function   |
|--------|--|
| Word 0 |  |
| 31:0   | Byte Address of buffer   |
| Word 1 |  |
| 31     | Used. Needs to be zero for the EMAC to read data from the transmit buffer. The EMAC sets this to one for the first buffer of a frame once it has been successfully transmitted.<br>Software has to clear this bit before the buffer can be used again.<br>Note: This bit is only set for the first buffer in a frame unlike receive where all buffers have the Used bit set once used. |
| 30     | Wrap. Marks last descriptor in transmit buffer descriptor list.  |
| 29     | Retry limit exceeded, transmit error detected  |
| 28     | Transmit underrun, occurs either when hresp is not OK (bus error) or the transmit data could not be fetched in time or when buffers are exhausted in mid frame.  |
| 27     | Buffers exhausted in mid frame   |
| 26:17  | Reserved   |
| 16     | No CRC. When set, no CRC is appended to the current frame. This bit only needs to be set for the last buffer of a frame.   |
| 15     | Last buffer. When set, this bit indicates the last buffer in the current frame has been reached.   |
| 14:11  | Reserved   |
| 10:0   | Length of buffer   |

## 38.3.2 Transmit Block

This block transmits frames in accordance with the Ethernet IEEE 802.3 CSMA/CD protocol. Frame assembly starts by adding preamble and the start frame delimiter. Data is taken from the transmit FIFO a word at a time. Data is transmitted least significant nibble first. If necessary, padding is added to increase the frame length to 60 bytes. CRC is calculated as a 32-bit polynomial. This is inverted and appended to the end of the frame, taking the frame length to a minimum of 64 bytes. If the No CRC bit is set in the second word of the last buffer descriptor of a transmit frame, neither pad nor CRC are appended.

In full-duplex mode, frames are transmitted immediately. Back-to-back frames are transmitted at least 96 bit times apart to guarantee the interframe gap.

In half-duplex mode, the transmitter checks carrier sense. If asserted, it waits for it to de-assert and then starts transmission after the interframe gap of 96 bit times. If the collision signal is asserted during transmission, the transmitter transmits a jam sequence of 32 bits taken from the data register and then retry transmission after the back off time has elapsed.

The back-off time is based on an XOR of the 10 least significant bits of the data coming from the transmit FIFO and a 10-bit pseudo random number generator. The number of bits used depends on the number of collisions seen. After the first collision, 1 bit is used, after the second 2, and so on up to 10. Above 10, all 10 bits are used. An error is indicated and no further attempts are made if 16 attempts cause collisions.

If transmit DMA underruns, bad CRC is automatically appended using the same mechanism as jam insertion and the tx\_er signal is asserted. For a properly configured system, this should never happen.

If the back pressure bit is set in the network control register in half duplex mode, the transmit block transmits 64 bits of data, which can consist of 16 nibbles of 1011 or in bit-rate mode 64 1s, whenever it sees an incoming frame to force a collision. This provides a way of implementing flow control in half-duplex mode.

## 38.3.3 Pause Frame Support

The start of an 802.3 pause frame is as follows:

**Table 38-3.** Start of an 802.3 Pause Frame

| Destination Address | Source Address | Type (Mac Control Frame) | Pause Opcode | Pause Time |
|---------------------|----------------|--------------------------|--------------|------------|
| 0x0180C2000001      | 6 bytes        | 0x8808                   | 0x0001       | 2 bytes    |

The network configuration register contains a receive pause enable bit (13). If a valid pause frame is received, the pause time register is updated with the frame's pause time, regardless of its current contents and regardless of the state of the configuration register bit 13. An interrupt (12) is triggered when a pause frame is received, assuming it is enabled in the interrupt mask register. If bit 13 is set in the network configuration register and the value of the pause time register is non-zero, no new frame is transmitted until the pause time register has decremented to zero.

The loading of a new pause time, and hence the pausing of transmission, only occurs when the EMAC is configured for full-duplex operation. If the EMAC is configured for half-duplex, there is no transmission pause, but the pause frame received interrupt is still triggered.

A valid pause frame is defined as having a destination address that matches either the address stored in specific address register 1 or matches 0x0180C2000001 and has the MAC control frame type ID of 0x8808 and the pause opcode of 0x0001. Pause frames that have FCS or other errors are treated as invalid and are discarded. Valid pause frames received increment the Pause Frame Received statistic register.

The pause time register decrements every 512 bit times (i.e., 128 `rx_clks` in nibble mode) once transmission has stopped. For test purposes, the register decrements every `rx_clk` cycle once transmission has stopped if bit 12 (retry test) is set in the network configuration register. If the pause enable bit (13) is not set in the network configuration register, then the decrementing occurs regardless of whether transmission has stopped or not.

An interrupt (13) is asserted whenever the pause time register decrements to zero (assuming it is enabled in the interrupt mask register).

### 38.3.4 Receive Block

The receive block checks for valid preamble, FCS, alignment and length, presents received frames to the DMA block and stores the frames destination address for use by the address checking block. If, during frame reception, the frame is found to be too long or `rx_er` is asserted, a bad frame indication is sent to the DMA block. The DMA block then ceases sending data to memory. At the end of frame reception, the receive block indicates to the DMA block whether the frame is good or bad. The DMA block recovers the current receive buffer if the frame was bad. The receive block signals the register block to increment the alignment error, the CRC (FCS) error, the short frame, long frame, jabber error, the receive symbol error statistics and the length field mismatch statistics.

The enable bit for jumbo frames in the network configuration register allows the EMAC to receive jumbo frames of up to 10240 bytes in size. This operation does not form part of the IEEE802.3 specification and is disabled by default. When jumbo frames are enabled, frames received with a frame size greater than 10240 bytes are discarded.

### 38.3.5 Address Checking Block

The address checking (or filter) block indicates to the DMA block which receive frames should be copied to memory. Whether a frame is copied depends on what is enabled in the network configuration register, the state of the external match pin, the contents of the specific address and hash registers and the frame's destination address. In this implementation of the EMAC, the frame's source address is not checked. Provided that bit 18 of the Network Configuration register is not set, a frame is not copied to memory if the EMAC is transmitting in half duplex mode at the time a destination address is received. If bit 18 of the Network Configuration register is set, frames can be received while transmitting in half-duplex mode.

Ethernet frames are transmitted a byte at a time, least significant bit first. The first six bytes (48 bits) of an Ethernet frame make up the destination address. The first bit of the destination address, the LSB of the first byte of the frame, is the group/individual bit: this is *One* for multicast addresses and *Zero* for unicast. The *All Ones* address is the broadcast address, and a special case of multicast.

The EMAC supports recognition of four specific addresses. Each specific address requires two registers, specific address register bottom and specific address register top. Specific address register bottom stores the first four bytes of the destination address and specific address register top contains the last two bytes. The addresses stored can be specific, group, local or universal.

The destination address of received frames is compared against the data stored in the specific address registers once they have been activated. The addresses are deactivated at reset or when their corresponding specific address register bottom is written. They are activated when specific address register top is written. If a receive frame address matches an active address, the frame is copied to memory.

The following example illustrates the use of the address match registers for a MAC address of 21:43:65:87:A9:CB.

Preamble 55  
SFD D5  
DA (Octet0 - LSB) 21  
DA(Octet 1) 43  
DA(Octet 2) 65  
DA(Octet 3) 87  
DA(Octet 4) A9  
DA (Octet5 - MSB) CB  
SA (LSB) 00  
SA 00  
SA 00  
SA 00  
SA 00  
SA (MSB) 43  
SA (LSB) 21

The sequence above shows the beginning of an Ethernet frame. Byte order of transmission is from top to bottom as shown. For a successful match to specific address 1, the following address matching registers must be set up:

- Base address + 0x98 0x87654321 (Bottom)
- Base address + 0x9C 0x0000CBA9 (Top)

And for a successful match to the Type ID register, the following should be set up:

- Base address + 0xB8 0x00004321

### 38.3.6 Broadcast Address

The broadcast address of 0xFFFFFFFF is recognized if the 'no broadcast' bit in the network configuration register is zero.

### 38.3.7 Hash Addressing

The hash address register is 64 bits long and takes up two locations in the memory map. The least significant bits are stored in hash register bottom and the most significant bits in hash register top.

The unicast hash enable and the multicast hash enable bits in the network configuration register enable the reception of hash matched frames. The destination address is reduced to a 6-bit



index into the 64-bit hash register using the following hash function. The hash function is an *exclusive or* of every sixth bit of the destination address.

$$\begin{aligned}\text{hash\_index}[5] &= \text{da}[5] \wedge \text{da}[11] \wedge \text{da}[17] \wedge \text{da}[23] \wedge \text{da}[29] \wedge \text{da}[35] \wedge \text{da}[41] \wedge \text{da}[47] \\ \text{hash\_index}[4] &= \text{da}[4] \wedge \text{da}[10] \wedge \text{da}[16] \wedge \text{da}[22] \wedge \text{da}[28] \wedge \text{da}[34] \wedge \text{da}[40] \wedge \text{da}[46] \\ \text{hash\_index}[3] &= \text{da}[3] \wedge \text{da}[09] \wedge \text{da}[15] \wedge \text{da}[21] \wedge \text{da}[27] \wedge \text{da}[33] \wedge \text{da}[39] \wedge \text{da}[45] \\ \text{hash\_index}[2] &= \text{da}[2] \wedge \text{da}[08] \wedge \text{da}[14] \wedge \text{da}[20] \wedge \text{da}[26] \wedge \text{da}[32] \wedge \text{da}[38] \wedge \text{da}[44] \\ \text{hash\_index}[1] &= \text{da}[1] \wedge \text{da}[07] \wedge \text{da}[13] \wedge \text{da}[19] \wedge \text{da}[25] \wedge \text{da}[31] \wedge \text{da}[37] \wedge \text{da}[43] \\ \text{hash\_index}[0] &= \text{da}[0] \wedge \text{da}[06] \wedge \text{da}[12] \wedge \text{da}[18] \wedge \text{da}[24] \wedge \text{da}[30] \wedge \text{da}[36] \wedge \text{da}[42]\end{aligned}$$

$\text{da}[0]$  represents the least significant bit of the first byte received, that is, the multicast/unicast indicator, and  $\text{da}[47]$  represents the most significant bit of the last byte received.

If the hash index points to a bit that is set in the hash register, then the frame is matched according to whether the frame is multicast or unicast.

A multicast match is signalled if the multicast hash enable bit is set.  $\text{da}[0]$  is 1 and the hash index points to a bit set in the hash register.

A unicast match is signalled if the unicast hash enable bit is set.  $\text{da}[0]$  is 0 and the hash index points to a bit set in the hash register.

To receive all multicast frames, the hash register should be set with all ones and the multicast hash enable bit should be set in the network configuration register.

### 38.3.8 Copy All Frames (or Promiscuous Mode)

If the copy all frames bit is set in the network configuration register, then all non-errored frames are copied to memory. For example, frames that are too long, too short, or have FCS errors or `rx_er` asserted during reception are discarded and all others are received. Frames with FCS errors are copied to memory if bit 19 in the network configuration register is set.

### 38.3.9 Type ID Checking

The contents of the `type_id` register are compared against the length/type ID of received frames (i.e., bytes 13 and 14). Bit 22 in the receive buffer descriptor status is set if there is a match. The reset state of this register is zero which is unlikely to match the length/type ID of any valid Ethernet frame.

Note: A type ID match does not affect whether a frame is copied to memory.

### 38.3.10 VLAN Support

An Ethernet encoded 802.1Q VLAN tag looks like this:

**Table 38-4.** 802.1Q VLAN Tag

| TPID (Tag Protocol Identifier) 16 bits | TCI (Tag Control Information) 16 bits                 |
|--|---|
| 0x8100                                 | First 3 bits priority, then CFI bit, last 12 bits VID |

The VLAN tag is inserted at the 13<sup>th</sup> byte of the frame, adding an extra four bytes to the frame. If the VID (VLAN identifier) is null (0x000), this indicates a priority-tagged frame. The MAC can support frame lengths up to 1536 bytes, 18 bytes more than the original Ethernet maximum frame length of 1518 bytes. This is achieved by setting bit 8 in the network configuration register.

The following bits in the receive buffer descriptor status word give information about VLAN tagged frames:

- Bit 21 set if receive frame is VLAN tagged (i.e. type id of 0x8100)
- Bit 20 set if receive frame is priority tagged (i.e. type id of 0x8100 and null VID). (If bit 20 is set bit 21 is set also.)
- Bit 19, 18 and 17 set to priority if bit 21 is set
- Bit 16 set to CFI if bit 21 is set

### 38.3.11 PHY Maintenance

The register EMAC\_MAN enables the EMAC to communicate with a PHY by means of the MDIO interface. It is used during auto-negotiation to ensure that the EMAC and the PHY are configured for the same speed and duplex configuration.

The PHY maintenance register is implemented as a shift register. Writing to the register starts a shift operation which is signalled as complete when bit two is set in the network status register (about 2000 MCK cycles later when bit ten is set to zero, and bit eleven is set to one in the network configuration register). An interrupt is generated as this bit is set. During this time, the MSB of the register is output on the MDIO pin and the LSB updated from the MDIO pin with each MDC cycle. This causes transmission of a PHY management frame on MDIO.

Reading during the shift operation returns the current contents of the shift register. At the end of management operation, the bits have shifted back to their original locations. For a read operation, the data bits are updated with data read from the PHY. It is important to write the correct values to the register to ensure a valid PHY management frame is produced.

The MDIO interface can read IEEE 802.3 clause 45 PHYs as well as clause 22 PHYs. To read clause 45 PHYs, bits[31:28] should be written as 0x0011. For a description of MDC generation, see the network configuration register in the ["Network Control Register"](#) on page 566.

### 38.3.12 Media Independent Interface

The Ethernet MAC is capable of interfacing to both RMII and MII Interfaces. The RMII bit in the EMAC\_USRIO register controls the interface that is selected. When this bit is set, the RMII interface is selected, else the MII interface is selected.

The MII and RMII interface are capable of both 10Mb/s and 100Mb/s data rates as described in the IEEE 802.3u standard. The signals used by the MII and RMII interfaces are described in [Table 38-5](#).

**Table 38-5.** Pin Configuration

| Pin Name    | MII                    | RMII                             |
|-------------|------------------------|----------------------------------|
| ETXCK_EREFC | ETXCK: Transmit Clock  | EREFC: Reference Clock           |
| ECRS        | ECRS: Carrier Sense    |                                  |
| ECOL        | ECOL: Collision Detect |                                  |
| ERXDV       | ERXDV: Data Valid      | ECRSDV: Carrier Sense/Data Valid |

**Table 38-5.** Pin Configuration (Continued)

|             |                                  |                                  |
|-------------|----------------------------------|----------------------------------|
| ERX0 - ERX3 | ERX0 - ERX3: 4-bit Receive Data  | ERX0 - ERX1: 2-bit Receive Data  |
| ERXER       | ERXER: Receive Error             | ERXER: Receive Error             |
| ERXCK       | ERXCK: Receive Clock             |                                  |
| ETXEN       | ETXEN: Transmit Enable           | ETXEN: Transmit Enable           |
| ETX0-ETX3   | ETX0 - ETX3: 4-bit Transmit Data | ETX0 - ETX1: 2-bit Transmit Data |
| ETXER       | ETXER: Transmit Error            |                                  |

The intent of the RMII is to provide a reduced pin count alternative to the IEEE 802.3u MII. It uses 2 bits for transmit (ETX0 and ETX1) and two bits for receive (ERX0 and ERX1). There is a Transmit Enable (ETXEN), a Receive Error (ERXER), a Carrier Sense (ECRS\_DV), and a 50 MHz Reference Clock (ETXCK\_EREFCCK) for 100Mb/s data rate.

### 38.3.12.1 RMII Transmit and Receive Operation

The same signals are used internally for both the RMII and the MII operations. The RMII maps these signals in a more pin-efficient manner. The transmit and receive bits are converted from a 4-bit parallel format to a 2-bit parallel scheme that is clocked at twice the rate. The carrier sense and data valid signals are combined into the ECRSDV signal. This signal contains information on carrier sense, FIFO status, and validity of the data. Transmit error bit (ETXER) and collision detect (ECOL) are not used in RMII mode.



## 38.4 Programming Interface

### 38.4.1 Initialization

#### 38.4.1.1 Configuration

Initialization of the EMAC configuration (e.g., loop-back mode, frequency ratios) must be done while the transmit and receive circuits are disabled. See the description of the network control register and network configuration register earlier in this document.

To change loop-back mode, the following sequence of operations must be followed:

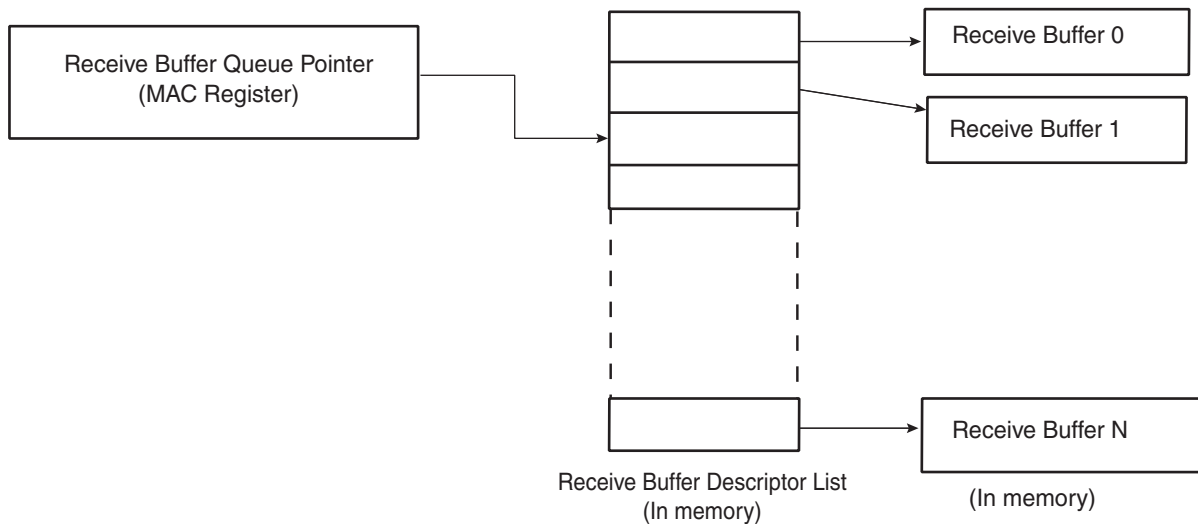
1. Write to network control register to disable transmit and receive circuits.
2. Write to network control register to change loop-back mode.
3. Write to network control register to re-enable transmit or receive circuits.

Note: These writes to network control register cannot be combined in any way.

#### 38.4.1.2 Receive Buffer List

Receive data is written to areas of data (i.e., buffers) in system memory. These buffers are listed in another data structure that also resides in main memory. This data structure (receive buffer queue) is a sequence of descriptor entries as defined in "Receive Buffer Descriptor Entry" on page 551. It points to this data structure.

**Figure 38-2.** Receive Buffer List



To create the list of buffers:

1. Allocate a number ( $n$ ) of buffers of 128 bytes in system memory.
2. Allocate an area  $2n$  words for the receive buffer descriptor entry in system memory and create  $n$  entries in this list. Mark all entries in this list as owned by EMAC, i.e., bit 0 of word 0 set to 0.
3. If less than 1024 buffers are defined, the last descriptor must be marked with the wrap bit (bit 1 in word 0 set to 1).
4. Write address of receive buffer descriptor entry to EMAC register `receive_buffer_queue_pointer`.

5. The receive circuits can then be enabled by writing to the address recognition registers and then to the network control register.

#### 38.4.1.3 *Transmit Buffer List*

Transmit data is read from areas of data (the buffers) in system memory. These buffers are listed in another data structure that also resides in main memory. This data structure (Transmit Buffer Queue) is a sequence of descriptor entries (as defined in [Table 38-2 on page 554](#)) that points to this data structure.

To create this list of buffers:

1. Allocate a number ( $n$ ) of buffers of between 1 and 2047 bytes of data to be transmitted in system memory. Up to 128 buffers per frame are allowed.
2. Allocate an area  $2n$  words for the transmit buffer descriptor entry in system memory and create  $N$  entries in this list. Mark all entries in this list as owned by EMAC, i.e. bit 31 of word 1 set to 0.
3. If fewer than 1024 buffers are defined, the last descriptor must be marked with the wrap bit — bit 30 in word 1 set to 1.
4. Write address of transmit buffer descriptor entry to EMAC register `transmit_buffer` queue pointer.
5. The transmit circuits can then be enabled by writing to the network control register.

#### 38.4.1.4 *Address Matching*

The EMAC register-pair hash address and the four specific address register-pairs must be written with the required values. Each register-pair comprises a bottom register and top register, with the bottom register being written first. The address matching is disabled for a particular register-pair after the bottom-register has been written and re-enabled when the top register is written. See [“Address Checking Block” on page 556](#) for details of address matching. Each register-pair may be written at any time, regardless of whether the receive circuits are enabled or disabled.

#### 38.4.1.5 *Interrupts*

There are 14 interrupt conditions that are detected within the EMAC. These are ORed to make a single interrupt. Depending on the overall system design, this may be passed through a further level of interrupt collection (interrupt controller). On receipt of the interrupt signal, the CPU enters the interrupt handler (Refer to the AIC programmer datasheet). To ascertain which interrupt has been generated, read the interrupt status register. Note that this register clears itself when read. At reset, all interrupts are disabled. To enable an interrupt, write to interrupt enable register with the pertinent interrupt bit set to 1. To disable an interrupt, write to interrupt disable register with the pertinent interrupt bit set to 1. To check whether an interrupt is enabled or disabled, read interrupt mask register: if the bit is set to 1, the interrupt is disabled.

#### 38.4.1.6 *Transmitting Frames*

To set up a frame for transmission:

1. Enable transmit in the network control register.
2. Allocate an area of system memory for transmit data. This does not have to be contiguous, varying byte lengths can be used as long as they conclude on byte borders.
3. Set-up the transmit buffer list.
4. Set the network control register to enable transmission and enable interrupts.

5. Write data for transmission into these buffers.
6. Write the address to transmit buffer descriptor queue pointer.
7. Write control and length to word one of the transmit buffer descriptor entry.
8. Write to the transmit start bit in the network control register.

### 38.4.1.7 Receiving Frames

When a frame is received and the receive circuits are enabled, the EMAC checks the address and, in the following cases, the frame is written to system memory:

- if it matches one of the four specific address registers.
- if it matches the hash address function.
- if it is a broadcast address (0xFFFFFFFF) and broadcasts are allowed.
- if the EMAC is configured to copy all frames.

The register receive buffer queue pointer points to the next entry (see [Table 38-1 on page 551](#)) and the EMAC uses this as the address in system memory to write the frame to. Once the frame has been completely and successfully received and written to system memory, the EMAC then updates the receive buffer descriptor entry with the reason for the address match and marks the area as being owned by software. Once this is complete an interrupt receive complete is set. Software is then responsible for handling the data in the buffer and then releasing the buffer by writing the ownership bit back to 0.

If the EMAC is unable to write the data at a rate to match the incoming frame, then an interrupt receive overrun is set. If there is no receive buffer available, i.e., the next buffer is still owned by software, the interrupt receive buffer not available is set. If the frame is not successfully received, a statistic register is incremented and the frame is discarded without informing software.

## 38.5 Ethernet MAC 10/100 (EMAC) User Interface

**Table 38-6.** Ethernet MAC 10/100 (EMAC) Register Mapping

| Offset | Register                                | Name      | Access     | Reset Value |
|--------|---|-----------|------------|-------------|
| 0x00   | Network Control Register                | EMAC_NCR  | Read/Write | 0           |
| 0x04   | Network Configuration Register          | EMAC_NCFG | Read/Write | 0x800       |
| 0x08   | Network Status Register                 | EMAC_NSR  | Read-only  | -           |
| 0x0C   | Reserved                                |           |            |             |
| 0x10   | Reserved                                |           |            |             |
| 0x14   | Transmit Status Register                | EMAC_TSR  | Read/Write | 0x0000_0000 |
| 0x18   | Receive Buffer Queue Pointer Register   | EMAC_RBQP | Read/Write | 0x0000_0000 |
| 0x1C   | Transmit Buffer Queue Pointer Register  | EMAC_TBQP | Read/Write | 0x0000_0000 |
| 0x20   | Receive Status Register                 | EMAC_RSR  | Read/Write | 0x0000_0000 |
| 0x24   | Interrupt Status Register               | EMAC_ISR  | Read/Write | 0x0000_0000 |
| 0x28   | Interrupt Enable Register               | EMAC_IER  | Write-only | -           |
| 0x2C   | Interrupt Disable Register              | EMAC_IDR  | Write-only | -           |
| 0x30   | Interrupt Mask Register                 | EMAC_IMR  | Read-only  | 0x0000_3FFF |
| 0x34   | Phy Maintenance Register                | EMAC_MAN  | Read/Write | 0x0000_0000 |
| 0x38   | Pause Time Register                     | EMAC_PTR  | Read/Write | 0x0000_0000 |
| 0x3C   | Pause Frames Received Register          | EMAC_PFR  | Read/Write | 0x0000_0000 |
| 0x40   | Frames Transmitted Ok Register          | EMAC_FTO  | Read/Write | 0x0000_0000 |
| 0x44   | Single Collision Frames Register        | EMAC_SCF  | Read/Write | 0x0000_0000 |
| 0x48   | Multiple Collision Frames Register      | EMAC_MCF  | Read/Write | 0x0000_0000 |
| 0x4C   | Frames Received Ok Register             | EMAC_FRO  | Read/Write | 0x0000_0000 |
| 0x50   | Frame Check Sequence Errors Register    | EMAC_FCSE | Read/Write | 0x0000_0000 |
| 0x54   | Alignment Errors Register               | EMAC_ALE  | Read/Write | 0x0000_0000 |
| 0x58   | Deferred Transmission Frames Register   | EMAC_DTF  | Read/Write | 0x0000_0000 |
| 0x5C   | Late Collisions Register                | EMAC_LCOL | Read/Write | 0x0000_0000 |
| 0x60   | Excessive Collisions Register           | EMAC_ECOL | Read/Write | 0x0000_0000 |
| 0x64   | Transmit Underrun Errors Register       | EMAC_TUND | Read/Write | 0x0000_0000 |
| 0x68   | Carrier Sense Errors Register           | EMAC_CSE  | Read/Write | 0x0000_0000 |
| 0x6C   | Receive Resource Errors Register        | EMAC_RRE  | Read/Write | 0x0000_0000 |
| 0x70   | Receive Overrun Errors Register         | EMAC_ROV  | Read/Write | 0x0000_0000 |
| 0x74   | Receive Symbol Errors Register          | EMAC_RSE  | Read/Write | 0x0000_0000 |
| 0x78   | Excessive Length Errors Register        | EMAC_ELE  | Read/Write | 0x0000_0000 |
| 0x7C   | Receive Jabbers Register                | EMAC_RJA  | Read/Write | 0x0000_0000 |
| 0x80   | Undersize Frames Register               | EMAC_USF  | Read/Write | 0x0000_0000 |
| 0x84   | SQE Test Errors Register                | EMAC_STE  | Read/Write | 0x0000_0000 |
| 0x88   | Received Length Field Mismatch Register | EMAC_RLE  | Read/Write | 0x0000_0000 |

**Table 38-6.** Ethernet MAC 10/100 (EMAC) Register Mapping (Continued)

| Offset      | Register                             | Name       | Access     | Reset Value |
|-------------|--------------------------------------|------------|------------|-------------|
| 0x90        | Hash Register Bottom [31:0] Register | EMAC_HRB   | Read/Write | 0x0000_0000 |
| 0x94        | Hash Register Top [63:32] Register   | EMAC_HRT   | Read/Write | 0x0000_0000 |
| 0x98        | Specific Address 1 Bottom Register   | EMAC_SA1B  | Read/Write | 0x0000_0000 |
| 0x9C        | Specific Address 1 Top Register      | EMAC_SA1T  | Read/Write | 0x0000_0000 |
| 0xA0        | Specific Address 2 Bottom Register   | EMAC_SA2B  | Read/Write | 0x0000_0000 |
| 0xA4        | Specific Address 2 Top Register      | EMAC_SA2T  | Read/Write | 0x0000_0000 |
| 0xA8        | Specific Address 3 Bottom Register   | EMAC_SA3B  | Read/Write | 0x0000_0000 |
| 0xAC        | Specific Address 3 Top Register      | EMAC_SA3T  | Read/Write | 0x0000_0000 |
| 0xB0        | Specific Address 4 Bottom Register   | EMAC_SA4B  | Read/Write | 0x0000_0000 |
| 0xB4        | Specific Address 4 Top Register      | EMAC_SA4T  | Read/Write | 0x0000_0000 |
| 0xB8        | Type ID Checking Register            | EMAC_TID   | Read/Write | 0x0000_0000 |
| 0xC0        | User Input/output Register           | EMAC_USRIO | Read/Write | 0x0000_0000 |
| 0xC8-0xF8   | Reserved                             | –          | –          | –           |
| 0xC8 - 0xFC | Reserved                             | –          | –          | –           |

### 38.5.1 Network Control Register

**Register Name:** EMAC\_NCR

**Access Type:** Read/Write

|        |         |         |     |    |       |        |    |
|--------|---------|---------|-----|----|-------|--------|----|
| 31     | 30      | 29      | 28  | 27 | 26    | 25     | 24 |
| –      | –       | –       | –   | –  | –     | –      | –  |
| 23     | 22      | 21      | 20  | 19 | 18    | 17     | 16 |
| –      | –       | –       | –   | –  | –     | –      | –  |
| 15     | 14      | 13      | 12  | 11 | 10    | 9      | 8  |
| –      | –       | –       | –   | –  | THALT | TSTART | BP |
| 7      | 6       | 5       | 4   | 3  | 2     | 1      | 0  |
| WESTAT | INCSTAT | CLRSTAT | MPE | TE | RE    | LLB    | LB |

- **LB: LoopBack**

Asserts the loopback signal to the PHY.

- **LLB: Loopback local**

Connects `txd` to `rx_dv`, `tx_en` to `rx_dv`, forces full duplex and drives `rx_clk` and `tx_clk` with `pclk` divided by 4. `rx_clk` and `tx_clk` may glitch as the EMAC is switched into and out of internal loop back. It is important that receive and transmit circuits have already been disabled when making the switch into and out of internal loop back.

- **RE: Receive enable**

When set, enables the EMAC to receive data. When reset, frame reception stops immediately and the receive FIFO is cleared. The receive queue pointer register is unaffected.

- **TE: Transmit enable**

When set, enables the Ethernet transmitter to send data. When reset transmission, stops immediately, the transmit FIFO and control registers are cleared and the transmit queue pointer register resets to point to the start of the transmit descriptor list.

- **MPE: Management port enable**

Set to one to enable the management port. When zero, forces MDIO to high impedance state and MDC low.

- **CLRSTAT: Clear statistics registers**

This bit is write only. Writing a one clears the statistics registers.

- **INCSTAT: Increment statistics registers**

This bit is write only. Writing a one increments all the statistics registers by one for test purposes.

- **WESTAT: Write enable for statistics registers**

Setting this bit to one makes the statistics registers writable for functional test purposes.

- **BP: Back pressure**

If set in half duplex mode, forces collisions on all received frames.

- **TSTART: Start transmission**

Writing one to this bit starts transmission.

- **THALT: Transmit halt**

Writing one to this bit halts transmission as soon as any ongoing frame transmission ends.

## 38.5.2 Network Configuration Register

**Register Name:** EMAC\_NCFGR

**Access Type:** Read/Write

|      |     |     |     |        |       |       |      |
|------|-----|-----|-----|--------|-------|-------|------|
| 31   | 30  | 29  | 28  | 27     | 26    | 25    | 24   |
| –    | –   | –   | –   | –      | –     | –     | –    |
| 23   | 22  | 21  | 20  | 19     | 18    | 17    | 16   |
| –    | –   | –   | –   | IRXFCS | EFRHD | DRFCS | RLCE |
| 15   | 14  | 13  | 12  | 11     | 10    | 9     | 8    |
| RBOF |     | PAE | RTY | CLK    |       |       | BIG  |
| 7    | 6   | 5   | 4   | 3      | 2     | 1     | 0    |
| UNI  | MTI | NBC | CAF | JFRAME | –     | FD    | SPD  |

- **SPD: Speed**

Set to 1 to indicate 100 Mbit/s operation, 0 for 10 Mbit/s.

- **FD: Full Duplex**

If set to 1, the transmit block ignores the state of collision and carrier sense and allows receive while transmitting.

- **CAF: Copy All Frames**

When set to 1, all valid frames are received.

- **JFRAME: Jumbo Frames**

Set to one to enable jumbo frames of up to 10240 bytes to be accepted.

- **NBC: No Broadcast**

When set to 1, frames addressed to the broadcast address of all ones are not received.

- **MTI: Multicast Hash Enable**

When set, multicast frames are received when the 6-bit hash function of the destination address points to a bit that is set in the hash register.

- **UNI: Unicast Hash Enable**

When set, unicast frames are received when the 6-bit hash function of the destination address points to a bit that is set in the hash register.

- **BIG: Receive 1536 bytes frames**

Setting this bit means the EMAC receives frames up to 1536 bytes in length. Normally, the EMAC would reject any frame above 1518 bytes.

- **CLK: MDC clock divider**

Set according to `system clock` speed. This determines by what number `system clock` is divided to generate MDC. For conformance with 802.3, MDC must not exceed 2.5MHz (MDC is only active during MDIO read and write operations).

| CLK | MDC                                   |
|-----|---------------------------------------|
| 00  | MCK divided by 8 (MCK up to 20 MHz)   |
| 01  | MCK divided by 16 (MCK up to 40 MHz)  |
| 10  | MCK divided by 32 (MCK up to 80 MHz)  |
| 11  | MCK divided by 64 (MCK up to 160 MHz) |

- **RTY: Retry test**

Must be set to zero for normal operation. If set to one, the back off between collisions is always one slot time. Setting this bit to one helps testing the too many retries condition. Also used in the pause frame tests to reduce the pause counters decrement time from 512 bit times, to every `rx_clk` cycle.

- **PAE: Pause Enable**

When set, transmission pauses when a valid pause frame is received.

- **RBOF: Receive Buffer Offset**

Indicates the number of bytes by which the received data is offset from the start of the first receive buffer.

| RBOF | Offset   |
|------|--|
| 00   | No offset from start of receive buffer         |
| 01   | One-byte offset from start of receive buffer   |
| 10   | Two-byte offset from start of receive buffer   |
| 11   | Three-byte offset from start of receive buffer |

- **RLCE: Receive Length field Checking Enable**

When set, frames with measured lengths shorter than their length fields are discarded. Frames containing a type ID in bytes 13 and 14 — length/type ID = 0600 — are not be counted as length errors.

- **DRFCS: Discard Receive FCS**

When set, the FCS field of received frames are not be copied to memory.

- **EFRHD:**

Enable Frames to be received in half-duplex mode while transmitting.

- **IRXFCS: Ignore RX FCS**

When set, frames with FCS/CRC errors are not rejected and no FCS error statistics are counted. For normal operation, this bit must be set to 0.



## 38.5.3 Network Status Register

**Register Name:** EMAC\_NSR

**Access Type:** Read-only

|    |    |    |    |    |      |      |    |
|----|----|----|----|----|------|------|----|
| 31 | 30 | 29 | 28 | 27 | 26   | 25   | 24 |
| –  | –  | –  | –  | –  | –    | –    | –  |
| 23 | 22 | 21 | 20 | 19 | 18   | 17   | 16 |
| –  | –  | –  | –  | –  | –    | –    | –  |
| 15 | 14 | 13 | 12 | 11 | 10   | 9    | 8  |
| –  | –  | –  | –  | –  | –    | –    | –  |
| 7  | 6  | 5  | 4  | 3  | 2    | 1    | 0  |
| –  | –  | –  | –  | –  | IDLE | MDIO | –  |

- **MDIO**

Returns status of the MDIO pin. Use the PHY maintenance register for reading managed frames rather than this bit.

- **IDLE**

0 = The PHY management logic is idle (i.e., has completed).

1 = The PHY logic is running.

### 38.5.4 Transmit Status Register

**Register Name:** EMAC\_TSR

**Access Type:** Read/Write

|    |     |      |     |     |     |     |     |
|----|-----|------|-----|-----|-----|-----|-----|
| 31 | 30  | 29   | 28  | 27  | 26  | 25  | 24  |
| –  | –   | –    | –   | –   | –   | –   | –   |
| 23 | 22  | 21   | 20  | 19  | 18  | 17  | 16  |
| –  | –   | –    | –   | –   | –   | –   | –   |
| 15 | 14  | 13   | 12  | 11  | 10  | 9   | 8   |
| –  | –   | –    | –   | –   | –   | –   | –   |
| 7  | 6   | 5    | 4   | 3   | 2   | 1   | 0   |
| –  | UND | COMP | BEX | TGO | RLE | COL | UBR |

This register, when read, provides details of the status of a transmit. Once read, individual bits may be cleared by writing 1 to them. It is not possible to set a bit to 1 by writing to the register.

- **UBR: Used Bit Read**

Set when a transmit buffer descriptor is read with its used bit set. Cleared by writing a one to this bit.

- **COL: Collision Occurred**

Set by the assertion of collision. Cleared by writing a one to this bit.

- **RLE: Retry Limit exceeded**

Cleared by writing a one to this bit.

- **TGO: Transmit Go**

If high transmit is active.

- **BEX: Buffers exhausted mid frame**

If the buffers run out during transmission of a frame, then transmission stops, FCS shall be bad and tx\_er asserted. Cleared by writing a one to this bit.

- **COMP: Transmit Complete**

Set when a frame has been transmitted. Cleared by writing a one to this bit.

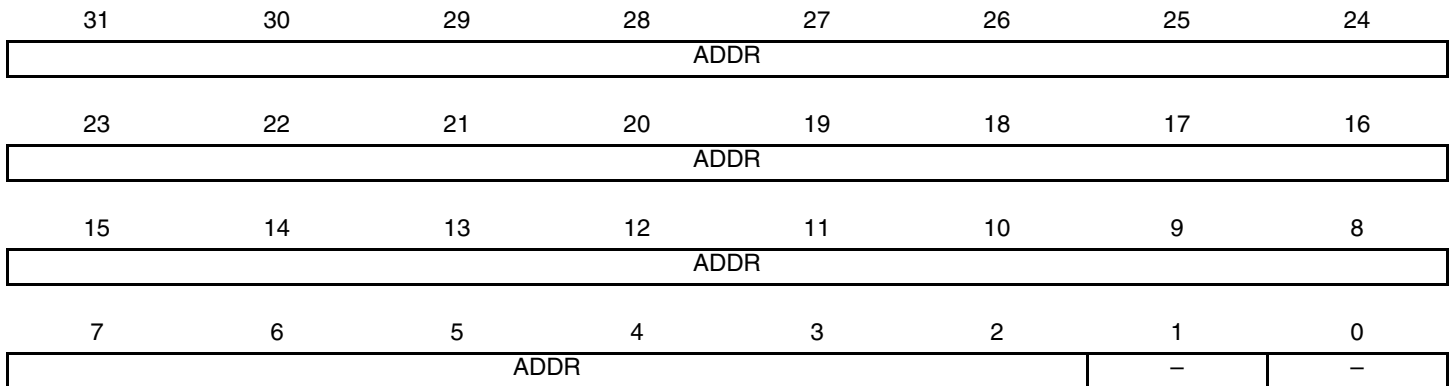
- **UND: Transmit Underrun**

Set when transmit DMA was not able to read data from memory, either because the bus was not granted in time, because a not OK hresp (bus error) was returned or because a used bit was read midway through frame transmission. If this occurs, the transmitter forces bad CRC. Cleared by writing a one to this bit.

## 38.5.5 Receive Buffer Queue Pointer Register

**Register Name:** EMAC\_RBQP

**Access Type:** Read/Write



This register points to the entry in the receive buffer queue (descriptor list) currently being used. It is written with the start location of the receive buffer descriptor list. The lower order bits increment as buffers are used up and wrap to their original values after either 1024 buffers or when the wrap bit of the entry is set.

Reading this register returns the location of the descriptor currently being accessed. This value increments as buffers are used. Software should not use this register for determining where to remove received frames from the queue as it constantly changes as new frames are received. Software should instead work its way through the buffer descriptor queue checking the used bits.

Receive buffer writes also comprise bursts of two words and, as with transmit buffer reads, it is recommended that bit 2 is always written with zero to prevent a burst crossing a 1K boundary, in violation of section 3.6 of the AMBA specification.

- **ADDR: Receive buffer queue pointer address**

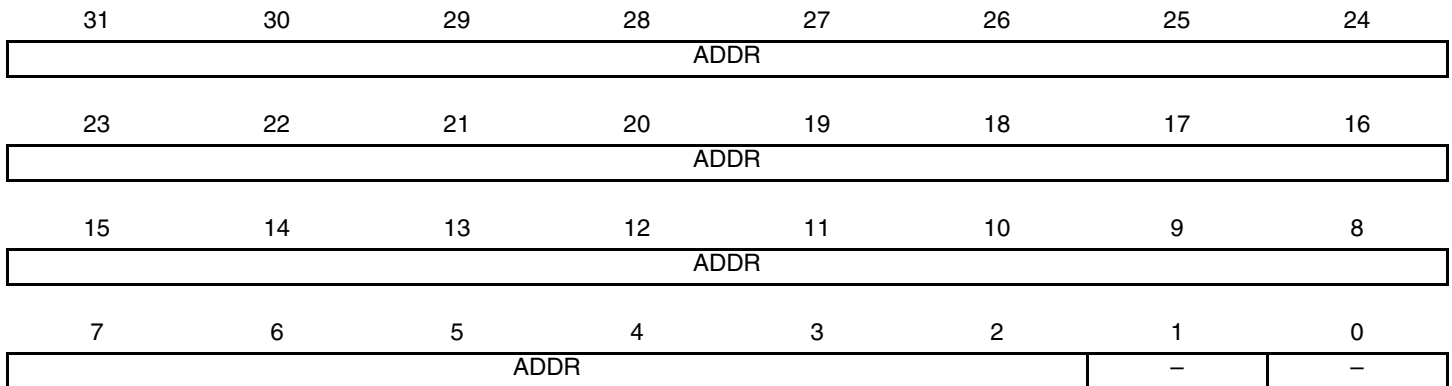
Written with the address of the start of the receive queue, reads as a pointer to the current buffer being used.



### 38.5.6 Transmit Buffer Queue Pointer Register

**Register Name:** EMAC\_TBQP

**Access Type:** Read/Write



This register points to the entry in the transmit buffer queue (descriptor list) currently being used. It is written with the start location of the transmit buffer descriptor list. The lower order bits increment as buffers are used up and wrap to their original values after either 1024 buffers or when the wrap bit of the entry is set. This register can only be written when bit 3 in the transmit status register is low.

As transmit buffer reads consist of bursts of two words, it is recommended that bit 2 is always written with zero to prevent a burst crossing a 1K boundary, in violation of section 3.6 of the AMBA specification.

- **ADDR: Transmit buffer queue pointer address**

Written with the address of the start of the transmit queue, reads as a pointer to the first buffer of the frame being transmitted or about to be transmitted.

## 38.5.7 Receive Status Register

**Register Name:** EMAC\_RSR

**Access Type:** Read/Write

|    |    |    |    |    |     |     |     |
|----|----|----|----|----|-----|-----|-----|
| 31 | 30 | 29 | 28 | 27 | 26  | 25  | 24  |
| –  | –  | –  | –  | –  | –   | –   | –   |
| 23 | 22 | 21 | 20 | 19 | 18  | 17  | 16  |
| –  | –  | –  | –  | –  | –   | –   | –   |
| 15 | 14 | 13 | 12 | 11 | 10  | 9   | 8   |
| –  | –  | –  | –  | –  | –   | –   | –   |
| 7  | 6  | 5  | 4  | 3  | 2   | 1   | 0   |
| –  | –  | –  | –  | –  | OVR | REC | BNA |

This register, when read, provides details of the status of a receive. Once read, individual bits may be cleared by writing 1 to them. It is not possible to set a bit to 1 by writing to the register.

- **BNA: Buffer Not Available**

An attempt was made to get a new buffer and the pointer indicated that it was owned by the processor. The DMA rereads the pointer each time a new frame starts until a valid pointer is found. This bit is set at each attempt that fails even if it has not had a successful pointer read since it has been cleared.

Cleared by writing a one to this bit.

- **REC: Frame Received**

One or more frames have been received and placed in memory. Cleared by writing a one to this bit.

- **OVR: Receive Overrun**

The DMA block was unable to store the receive frame to memory, either because the bus was not granted in time or because a not OK `hresp(bus error)` was returned. The buffer is recovered if this happens.

Cleared by writing a one to this bit.



### 38.5.8 Interrupt Status Register

Register Name: EMAC\_ISR

Access Type: Read/Write

|       |       |     |      |       |       |       |     |
|-------|-------|-----|------|-------|-------|-------|-----|
| 31    | 30    | 29  | 28   | 27    | 26    | 25    | 24  |
| -     | -     | -   | -    | -     | -     | -     | -   |
| 23    | 22    | 21  | 20   | 19    | 18    | 17    | 16  |
| -     | -     | -   | -    | -     | -     | -     | -   |
| 15    | 14    | 13  | 12   | 11    | 10    | 9     | 8   |
| -     | -     | PTZ | PFR  | HRESP | ROVR  |       | -   |
| 7     | 6     | 5   | 4    | 3     | 2     | 1     | 0   |
| TCOMP | TXERR | RLE | TUND | TXUBR | RXUBR | RCOMP | MFD |

• **MFD: Management Frame Done**

The PHY maintenance register has completed its operation. Cleared on read.

• **RCOMP: Receive Complete**

A frame has been stored in memory. Cleared on read.

• **RXUBR: Receive Used Bit Read**

Set when a receive buffer descriptor is read with its used bit set. Cleared on read.

• **TXUBR: Transmit Used Bit Read**

Set when a transmit buffer descriptor is read with its used bit set. Cleared on read.

• **TUND: Ethernet Transmit Buffer Underrun**

The transmit DMA did not fetch frame data in time for it to be transmitted or `hresp` returned not OK. Also set if a used bit is read mid-frame or when a new transmit queue pointer is written. Cleared on read.

• **RLE: Retry Limit Exceeded**

Cleared on read.

• **TXERR: Transmit Error**

Transmit buffers exhausted in mid-frame - transmit error. Cleared on read.

• **TCOMP: Transmit Complete**

Set when a frame has been transmitted. Cleared on read.

• **ROVR: Receive Overrun**

Set when the receive overrun status bit gets set. Cleared on read.

• **HRESP: Hresp not OK**

Set when the DMA block sees a `bus error`. Cleared on read.

• **PFR: Pause Frame Received**

Indicates a valid pause has been received. Cleared on a read.

• **PTZ: Pause Time Zero**

Set when the pause time register, 0x38 decrements to zero. Cleared on a read.

## 38.5.9 Interrupt Enable Register

**Register Name:** EMAC\_IER

**Access Type:** Read/Write

|       |       |     |      |       |       |       |     |
|-------|-------|-----|------|-------|-------|-------|-----|
| 31    | 30    | 29  | 28   | 27    | 26    | 25    | 24  |
| –     | –     | –   | –    | –     | –     | –     | –   |
| 23    | 22    | 21  | 20   | 19    | 18    | 17    | 16  |
| –     | –     | –   | –    | –     | –     | –     | –   |
| 15    | 14    | 13  | 12   | 11    | 10    | 9     | 8   |
| –     | –     | PTZ | PFR  | HRESP | ROVR  |       | –   |
| 7     | 6     | 5   | 4    | 3     | 2     | 1     | 0   |
| TCOMP | TXERR | RLE | TUND | TXUBR | RXUBR | RCOMP | MFD |

- **MFD: Management Frame sent**

Enable management done interrupt.

- **RCOMP: Receive Complete**

Enable receive complete interrupt.

- **RXUBR: Receive Used Bit Read**

Enable receive used bit read interrupt.

- **TXUBR: Transmit Used Bit Read**

Enable transmit used bit read interrupt.

- **TUND: Ethernet Transmit Buffer Underrun**

Enable transmit underrun interrupt.

- **RLE: Retry Limit Exceeded**

Enable retry limit exceeded interrupt.

- **TXERR**

Enable transmit buffers exhausted in mid-frame interrupt.

- **TCOMP: Transmit Complete**

Enable transmit complete interrupt.

- **ROVR: Receive Overrun**

Enable receive overrun interrupt.

- **HRESP: Hresp not OK**

Enable Hresp not OK interrupt.

- **PFR: Pause Frame Received**

Enable pause frame received interrupt.

- **PTZ: Pause Time Zero**

Enable pause time zero interrupt.

### 38.5.10 Interrupt Disable Register

**Register Name:** EMAC\_IDR

**Access Type:** Read/Write

|       |       |     |      |       |       |       |     |
|-------|-------|-----|------|-------|-------|-------|-----|
| 31    | 30    | 29  | 28   | 27    | 26    | 25    | 24  |
| –     | –     | –   | –    | –     | –     | –     | –   |
| 23    | 22    | 21  | 20   | 19    | 18    | 17    | 16  |
| –     | –     | –   | –    | –     | –     | –     | –   |
| 15    | 14    | 13  | 12   | 11    | 10    | 9     | 8   |
| –     | –     | PTZ | PFR  | HRESP | ROVR  |       | –   |
| 7     | 6     | 5   | 4    | 3     | 2     | 1     | 0   |
| TCOMP | TXERR | RLE | TUND | TXUBR | RXUBR | RCOMP | MFD |

- **MFD: Management Frame sent**

Disable management done interrupt.

- **RCOMP: Receive Complete**

Disable receive complete interrupt.

- **RXUBR: Receive Used Bit Read**

Disable receive used bit read interrupt.

- **TXUBR: Transmit Used Bit Read**

Disable transmit used bit read interrupt.

- **TUND: Ethernet Transmit Buffer Underrun**

Disable transmit underrun interrupt.

- **RLE: Retry Limit Exceeded**

Disable retry limit exceeded interrupt.

- **TXERR**

Disable transmit buffers exhausted in mid-frame interrupt.

- **TCOMP: Transmit Complete**

Disable transmit complete interrupt.

- **ROVR: Receive Overrun**

Disable receive overrun interrupt.

- **HRESP: Hresp not OK**

Disable Hresp not OK interrupt.

- **PFR: Pause Frame Received**

Disable pause frame received interrupt.

- **PTZ: Pause Time Zero**

Disable pause time zero interrupt.



## 38.5.11 Interrupt Mask Register

**Register Name:** EMAC\_IMR

**Access Type:** Read/Write

|       |       |     |      |       |       |       |     |
|-------|-------|-----|------|-------|-------|-------|-----|
| 31    | 30    | 29  | 28   | 27    | 26    | 25    | 24  |
| –     | –     | –   | –    | –     | –     | –     | –   |
| 23    | 22    | 21  | 20   | 19    | 18    | 17    | 16  |
| –     | –     | –   | –    | –     | –     | –     | –   |
| 15    | 14    | 13  | 12   | 11    | 10    | 9     | 8   |
| –     | –     | PTZ | PFR  | HRESP | ROVR  |       | –   |
| 7     | 6     | 5   | 4    | 3     | 2     | 1     | 0   |
| TCOMP | TXERR | RLE | TUND | TXUBR | RXUBR | RCOMP | MFD |

- **MFD: Management Frame sent**

Management done interrupt masked.

- **RCOMP: Receive Complete**

Receive complete interrupt masked.

- **RXUBR: Receive Used Bit Read**

Receive used bit read interrupt masked.

- **TXUBR: Transmit Used Bit Read**

Transmit used bit read interrupt masked.

- **TUND: Ethernet Transmit Buffer Underrun**

Transmit underrun interrupt masked.

- **RLE: Retry Limit Exceeded**

Retry limit exceeded interrupt masked.

- **TXERR**

Transmit buffers exhausted in mid-frame interrupt masked.

- **TCOMP: Transmit Complete**

Transmit complete interrupt masked.

- **ROVR: Receive Overrun**

Receive overrun interrupt masked.

- **HRESP: Hresp not OK**

Hresp not OK interrupt masked.

- **PFR: Pause Frame Received**

Pause frame received interrupt masked.

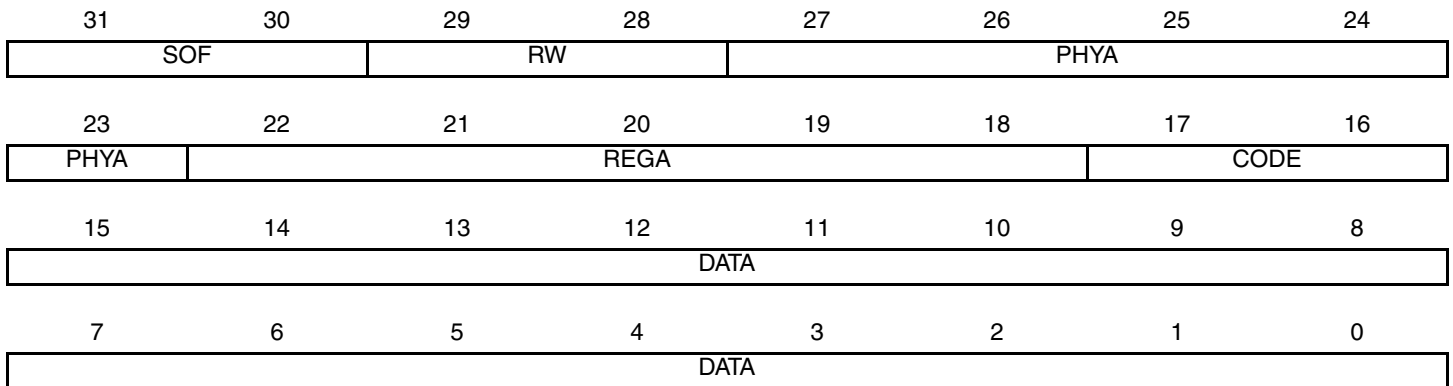
- **PTZ: Pause Time Zero**

Pause time zero interrupt masked.

### 38.5.12 PHY Maintenance Register

**Register Name:** EMAC\_MAN

**Access Type:** Read/Write



- **DATA**

For a write operation this is written with the data to be written to the PHY.

After a read operation this contains the data read from the PHY.

- **CODE:**

Must be written to 10. Reads as written.

- **REGA: Register Address**

Specifies the register in the PHY to access.

- **PHYA: PHY Address**

- **RW: Read/Write**

10 is read; 01 is write. Any other value is an invalid PHY management frame

- **SOF: Start of frame**

Must be written 01 for a valid frame.

## 38.5.13 Pause Time Register

**Register Name:** EMAC\_PTR

**Access Type:** Read/Write

|       |    |    |    |    |    |    |    |
|-------|----|----|----|----|----|----|----|
| 31    | 30 | 29 | 28 | 27 | 26 | 25 | 24 |
| -     | -  | -  | -  | -  | -  | -  | -  |
| 23    | 22 | 21 | 20 | 19 | 18 | 17 | 16 |
| -     | -  | -  | -  | -  | -  | -  | -  |
| 15    | 14 | 13 | 12 | 11 | 10 | 9  | 8  |
| PTIME |    |    |    |    |    |    |    |
| 7     | 6  | 5  | 4  | 3  | 2  | 1  | 0  |
| PTIME |    |    |    |    |    |    |    |

- **PTIME: Pause Time**

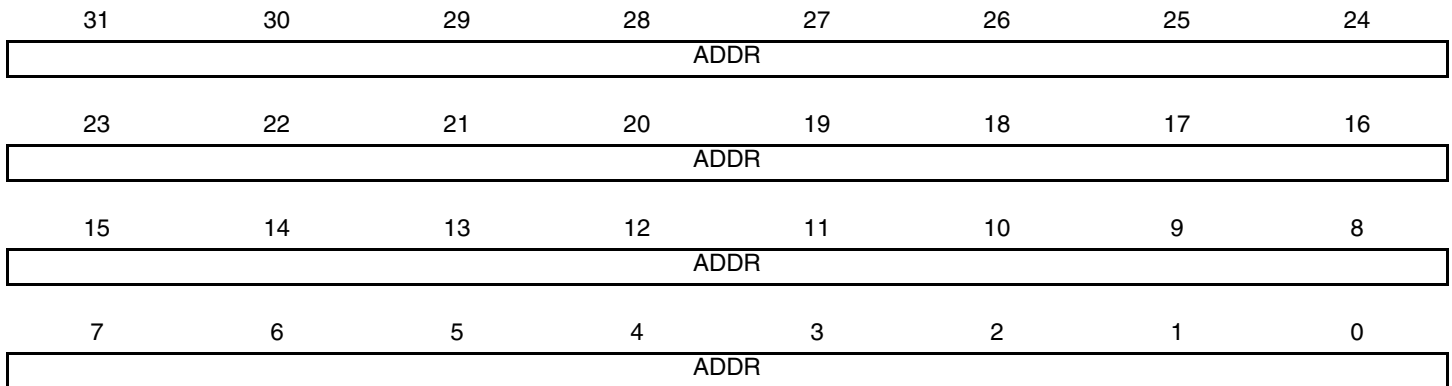
Stores the current value of the pause time register which is decremented every 512 bit times.



### 38.5.14 Hash Register Bottom

**Register Name:** EMAC\_HRB

**Access Type:** Read/Write



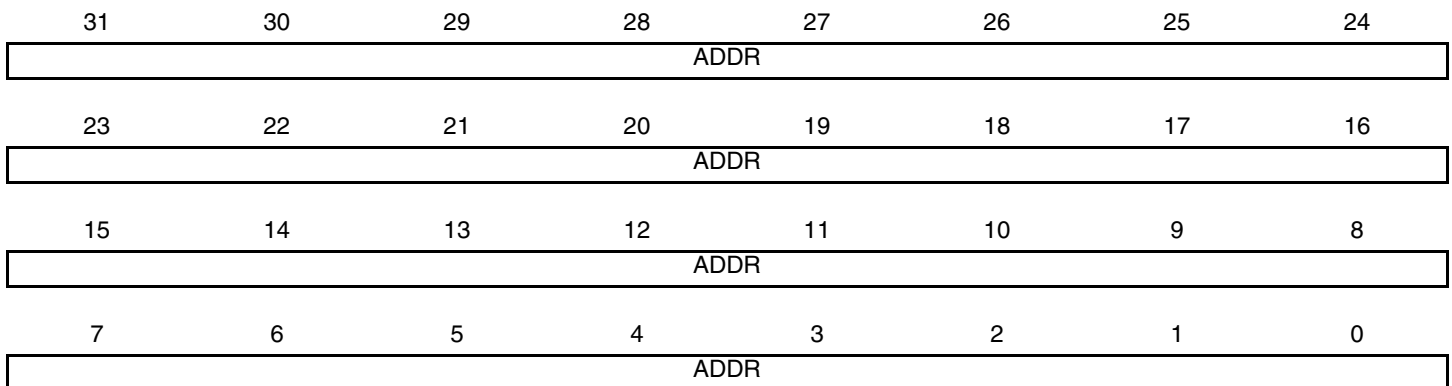
• **ADDR:**

Bits 31:0 of the hash address register. See ["Hash Addressing" on page 557](#).

### 38.5.15 Hash Register Top

**Register Name:** EMAC\_HRT

**Access Type:** Read/Write



• **ADDR:**

Bits 63:32 of the hash address register. See ["Hash Addressing" on page 557](#).

## 38.5.16 Specific Address 1 Bottom Register

**Register Name:** EMAC\_SA1B

**Access Type:** Read/Write

|      |    |    |    |    |    |    |    |
|------|----|----|----|----|----|----|----|
| 31   | 30 | 29 | 28 | 27 | 26 | 25 | 24 |
| ADDR |    |    |    |    |    |    |    |
| 23   | 22 | 21 | 20 | 19 | 18 | 17 | 16 |
| ADDR |    |    |    |    |    |    |    |
| 15   | 14 | 13 | 12 | 11 | 10 | 9  | 8  |
| ADDR |    |    |    |    |    |    |    |
| 7    | 6  | 5  | 4  | 3  | 2  | 1  | 0  |
| ADDR |    |    |    |    |    |    |    |

- **ADDR**

Least significant bits of the destination address. Bit zero indicates whether the address is multicast or unicast and corresponds to the least significant bit of the first byte received.

## 38.5.17 Specific Address 1 Top Register

**Register Name:** EMAC\_SA1T

**Access Type:** Read/Write

|      |    |    |    |    |    |    |    |
|------|----|----|----|----|----|----|----|
| 31   | 30 | 29 | 28 | 27 | 26 | 25 | 24 |
| -    | -  | -  | -  | -  | -  | -  | -  |
| 23   | 22 | 21 | 20 | 19 | 18 | 17 | 16 |
| -    | -  | -  | -  | -  | -  | -  | -  |
| 15   | 14 | 13 | 12 | 11 | 10 | 9  | 8  |
| ADDR |    |    |    |    |    |    |    |
| 7    | 6  | 5  | 4  | 3  | 2  | 1  | 0  |
| ADDR |    |    |    |    |    |    |    |

- **ADDR**

The most significant bits of the destination address, that is bits 47 to 32.



### 38.5.18 Specific Address 2 Bottom Register

Register Name: EMAC\_SA2B

Access Type: Read/Write

|      |    |    |    |    |    |    |    |
|------|----|----|----|----|----|----|----|
| 31   | 30 | 29 | 28 | 27 | 26 | 25 | 24 |
| ADDR |    |    |    |    |    |    |    |
| 23   | 22 | 21 | 20 | 19 | 18 | 17 | 16 |
| ADDR |    |    |    |    |    |    |    |
| 15   | 14 | 13 | 12 | 11 | 10 | 9  | 8  |
| ADDR |    |    |    |    |    |    |    |
| 7    | 6  | 5  | 4  | 3  | 2  | 1  | 0  |
| ADDR |    |    |    |    |    |    |    |

- ADDR

Least significant bits of the destination address. Bit zero indicates whether the address is multicast or unicast and corresponds to the least significant bit of the first byte received.

### 38.5.19 Specific Address 2 Top Register

Register Name: EMAC\_SA2T

Access Type: Read/Write

|      |    |    |    |    |    |    |    |
|------|----|----|----|----|----|----|----|
| 31   | 30 | 29 | 28 | 27 | 26 | 25 | 24 |
| –    | –  | –  | –  | –  | –  | –  | –  |
| 23   | 22 | 21 | 20 | 19 | 18 | 17 | 16 |
| –    | –  | –  | –  | –  | –  | –  | –  |
| 15   | 14 | 13 | 12 | 11 | 10 | 9  | 8  |
| ADDR |    |    |    |    |    |    |    |
| 7    | 6  | 5  | 4  | 3  | 2  | 1  | 0  |
| ADDR |    |    |    |    |    |    |    |

- ADDR

The most significant bits of the destination address, that is bits 47 to 32.

## 38.5.20 Specific Address 3 Bottom Register

**Register Name:** EMAC\_SA3B

**Access Type:** Read/Write

|      |    |    |    |    |    |    |    |
|------|----|----|----|----|----|----|----|
| 31   | 30 | 29 | 28 | 27 | 26 | 25 | 24 |
| ADDR |    |    |    |    |    |    |    |
| 23   | 22 | 21 | 20 | 19 | 18 | 17 | 16 |
| ADDR |    |    |    |    |    |    |    |
| 15   | 14 | 13 | 12 | 11 | 10 | 9  | 8  |
| ADDR |    |    |    |    |    |    |    |
| 7    | 6  | 5  | 4  | 3  | 2  | 1  | 0  |
| ADDR |    |    |    |    |    |    |    |

- **ADDR**

Least significant bits of the destination address. Bit zero indicates whether the address is multicast or unicast and corresponds to the least significant bit of the first byte received.

## 38.5.21 Specific Address 3 Top Register

**Register Name:** EMAC\_SA3T

**Access Type:** Read/Write

|      |    |    |    |    |    |    |    |
|------|----|----|----|----|----|----|----|
| 31   | 30 | 29 | 28 | 27 | 26 | 25 | 24 |
| -    | -  | -  | -  | -  | -  | -  | -  |
| 23   | 22 | 21 | 20 | 19 | 18 | 17 | 16 |
| -    | -  | -  | -  | -  | -  | -  | -  |
| 15   | 14 | 13 | 12 | 11 | 10 | 9  | 8  |
| ADDR |    |    |    |    |    |    |    |
| 7    | 6  | 5  | 4  | 3  | 2  | 1  | 0  |
| ADDR |    |    |    |    |    |    |    |

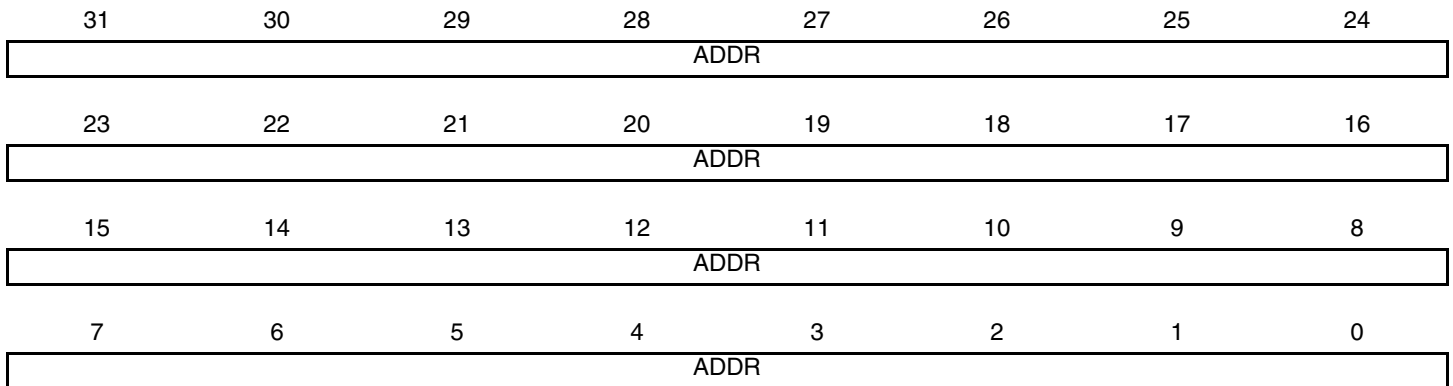
- **ADDR**

The most significant bits of the destination address, that is bits 47 to 32.

### 38.5.22 Specific Address 4 Bottom Register

**Register Name:** EMAC\_SA4B

**Access Type:** Read/Write



• **ADDR**

Least significant bits of the destination address. Bit zero indicates whether the address is multicast or unicast and corresponds to the least significant bit of the first byte received.

### 38.5.23 Specific Address 4 Top Register

**Register Name:** EMAC\_SA4T

**Access Type:** Read/Write



• **ADDR**

The most significant bits of the destination address, that is bits 47 to 32.



## 38.5.24 Type ID Checking Register

**Register Name:** EMAC\_TID

**Access Type:** Read/Write

|     |    |    |    |    |    |    |    |
|-----|----|----|----|----|----|----|----|
| 31  | 30 | 29 | 28 | 27 | 26 | 25 | 24 |
| –   | –  | –  | –  | –  | –  | –  | –  |
| 23  | 22 | 21 | 20 | 19 | 18 | 17 | 16 |
| –   | –  | –  | –  | –  | –  | –  | –  |
| 15  | 14 | 13 | 12 | 11 | 10 | 9  | 8  |
| TID |    |    |    |    |    |    |    |
| 7   | 6  | 5  | 4  | 3  | 2  | 1  | 0  |
| TID |    |    |    |    |    |    |    |

- **TID: Type ID Checking**

For use in comparisons with received frames TypeID/Length field.

## 38.5.25 User Input/Output Register

**Register Name:** EMAC\_USRIO

**Access Type:** Read/Write

|    |    |    |    |    |    |       |      |
|----|----|----|----|----|----|-------|------|
| 31 | 30 | 29 | 28 | 27 | 26 | 25    | 24   |
| –  | –  | –  | –  | –  | –  | –     | –    |
| 23 | 22 | 21 | 20 | 19 | 18 | 17    | 16   |
| –  | –  | –  | –  | –  | –  | –     | –    |
| 15 | 14 | 13 | 12 | 11 | 10 | 9     | 8    |
| –  | –  | –  | –  | –  | –  | –     | –    |
| 7  | 6  | 5  | 4  | 3  | 2  | 1     | 0    |
| –  | –  | –  | –  | –  | –  | CLKEN | RMII |

- **RMII**

When set, this bit enables the RMII operation mode. When reset, it selects the MII mode.

- **CLKEN**

When set, this bit enables the transceiver input clock.

Setting this bit to 0 reduces power consumption when the transceiver is not used.



### 38.5.26 EMAC Statistic Registers

These registers reset to zero on a read and stick at all ones when they count to their maximum value. They should be read frequently enough to prevent loss of data. The receive statistics registers are only incremented when the receive enable bit is set in the network control register. To write to these registers, bit 7 must be set in the network control register. The statistics register block contains the following registers.

#### 38.5.26.1 Pause Frames Received Register

**Register Name:** EMAC\_PFR

**Access Type:** Read/Write

|      |    |    |    |    |    |    |    |
|------|----|----|----|----|----|----|----|
| 31   | 30 | 29 | 28 | 27 | 26 | 25 | 24 |
| –    | –  | –  | –  | –  | –  | –  | –  |
| 23   | 22 | 21 | 20 | 19 | 18 | 17 | 16 |
| –    | –  | –  | –  | –  | –  | –  | –  |
| 15   | 14 | 13 | 12 | 11 | 10 | 9  | 8  |
| FROK |    |    |    |    |    |    |    |
| 7    | 6  | 5  | 4  | 3  | 2  | 1  | 0  |
| FROK |    |    |    |    |    |    |    |

• **FROK: Pause Frames Received OK**

A 16-bit register counting the number of good pause frames received. A good frame has a length of 64 to 1518 (1536 if bit 8 set in network configuration register) and has no FCS, alignment or receive symbol errors.

#### 38.5.26.2 Frames Transmitted OK Register

**Register Name:** EMAC\_FTO

**Access Type:** Read/Write

|      |    |    |    |    |    |    |    |
|------|----|----|----|----|----|----|----|
| 31   | 30 | 29 | 28 | 27 | 26 | 25 | 24 |
| –    | –  | –  | –  | –  | –  | –  | –  |
| 23   | 22 | 21 | 20 | 19 | 18 | 17 | 16 |
| FTOK |    |    |    |    |    |    |    |
| 15   | 14 | 13 | 12 | 11 | 10 | 9  | 8  |
| FTOK |    |    |    |    |    |    |    |
| 7    | 6  | 5  | 4  | 3  | 2  | 1  | 0  |
| FTOK |    |    |    |    |    |    |    |

• **FTOK: Frames Transmitted OK**

A 24-bit register counting the number of frames successfully transmitted, i.e., no underrun and not too many retries.

## 38.5.26.3 Single Collision Frames Register

**Register Name:** EMAC\_SCF

**Access Type:** Read/Write

|     |    |    |    |    |    |    |    |
|-----|----|----|----|----|----|----|----|
| 31  | 30 | 29 | 28 | 27 | 26 | 25 | 24 |
| –   | –  | –  | –  | –  | –  | –  | –  |
| 23  | 22 | 21 | 20 | 19 | 18 | 17 | 16 |
| –   | –  | –  | –  | –  | –  | –  | –  |
| 15  | 14 | 13 | 12 | 11 | 10 | 9  | 8  |
| SCF |    |    |    |    |    |    |    |
| 7   | 6  | 5  | 4  | 3  | 2  | 1  | 0  |
| SCF |    |    |    |    |    |    |    |

- **SCF: Single Collision Frames**

A 16-bit register counting the number of frames experiencing a single collision before being successfully transmitted, i.e., no underrun.

## 38.5.26.4 Multicollision Frames Register

**Register Name:** EMAC\_MCF

**Access Type:** Read/Write

|     |    |    |    |    |    |    |    |
|-----|----|----|----|----|----|----|----|
| 31  | 30 | 29 | 28 | 27 | 26 | 25 | 24 |
| –   | –  | –  | –  | –  | –  | –  | –  |
| 23  | 22 | 21 | 20 | 19 | 18 | 17 | 16 |
| –   | –  | –  | –  | –  | –  | –  | –  |
| 15  | 14 | 13 | 12 | 11 | 10 | 9  | 8  |
| MCF |    |    |    |    |    |    |    |
| 7   | 6  | 5  | 4  | 3  | 2  | 1  | 0  |
| MCF |    |    |    |    |    |    |    |

- **MCF: Multicollision Frames**

A 16-bit register counting the number of frames experiencing between two and fifteen collisions prior to being successfully transmitted, i.e., no underrun and not too many retries.



### 38.5.26.5 Frames Received OK Register

**Register Name:** EMAC\_FRO

**Access Type:** Read/Write

|      |    |    |    |    |    |    |    |
|------|----|----|----|----|----|----|----|
| 31   | 30 | 29 | 28 | 27 | 26 | 25 | 24 |
| –    | –  | –  | –  | –  | –  | –  | –  |
| 23   | 22 | 21 | 20 | 19 | 18 | 17 | 16 |
| FROK |    |    |    |    |    |    |    |
| 15   | 14 | 13 | 12 | 11 | 10 | 9  | 8  |
| FROK |    |    |    |    |    |    |    |
| 7    | 6  | 5  | 4  | 3  | 2  | 1  | 0  |
| FROK |    |    |    |    |    |    |    |

• **FROK: Frames Received OK**

A 24-bit register counting the number of good frames received, i.e., address recognized and successfully copied to memory. A good frame is of length 64 to 1518 bytes (1536 if bit 8 set in network configuration register) and has no FCS, alignment or receive symbol errors.

### 38.5.26.6 Frames Check Sequence Errors Register

**Register Name:** EMAC\_FCSE

**Access Type:** Read/Write

|      |    |    |    |    |    |    |    |
|------|----|----|----|----|----|----|----|
| 31   | 30 | 29 | 28 | 27 | 26 | 25 | 24 |
| –    | –  | –  | –  | –  | –  | –  | –  |
| 23   | 22 | 21 | 20 | 19 | 18 | 17 | 16 |
| –    | –  | –  | –  | –  | –  | –  | –  |
| 15   | 14 | 13 | 12 | 11 | 10 | 9  | 8  |
| –    | –  | –  | –  | –  | –  | –  | –  |
| 7    | 6  | 5  | 4  | 3  | 2  | 1  | 0  |
| FCSE |    |    |    |    |    |    |    |

• **FCSE: Frame Check Sequence Errors**

An 8-bit register counting frames that are an integral number of bytes, have bad CRC and are between 64 and 1518 bytes in length (1536 if bit 8 set in network configuration register). This register is also incremented if a symbol error is detected and the frame is of valid length and has an integral number of bytes.

## 38.5.26.7 Alignment Errors Register

**Register Name:** EMAC\_ALE

**Access Type:** Read/Write

|     |    |    |    |    |    |    |    |
|-----|----|----|----|----|----|----|----|
| 31  | 30 | 29 | 28 | 27 | 26 | 25 | 24 |
| –   | –  | –  | –  | –  | –  | –  | –  |
| 23  | 22 | 21 | 20 | 19 | 18 | 17 | 16 |
| –   | –  | –  | –  | –  | –  | –  | –  |
| 15  | 14 | 13 | 12 | 11 | 10 | 9  | 8  |
| –   | –  | –  | –  | –  | –  | –  | –  |
| 7   | 6  | 5  | 4  | 3  | 2  | 1  | 0  |
| ALE |    |    |    |    |    |    |    |

- **ALE: Alignment Errors**

An 8-bit register counting frames that are not an integral number of bytes long and have bad CRC when their length is truncated to an integral number of bytes and are between 64 and 1518 bytes in length (1536 if bit 8 set in network configuration register). This register is also incremented if a symbol error is detected and the frame is of valid length and does not have an integral number of bytes.

## 38.5.26.8 Deferred Transmission Frames Register

**Register Name:** EMAC\_DTF

**Access Type:** Read/Write

|     |    |    |    |    |    |    |    |
|-----|----|----|----|----|----|----|----|
| 31  | 30 | 29 | 28 | 27 | 26 | 25 | 24 |
| –   | –  | –  | –  | –  | –  | –  | –  |
| 23  | 22 | 21 | 20 | 19 | 18 | 17 | 16 |
| –   | –  | –  | –  | –  | –  | –  | –  |
| 15  | 14 | 13 | 12 | 11 | 10 | 9  | 8  |
| DTF |    |    |    |    |    |    |    |
| 7   | 6  | 5  | 4  | 3  | 2  | 1  | 0  |
| DTF |    |    |    |    |    |    |    |

- **DTF: Deferred Transmission Frames**

A 16-bit register counting the number of frames experiencing deferral due to carrier sense being active on their first attempt at transmission. Frames involved in any collision are not counted nor are frames that experienced a transmit underrun.



### 38.5.26.9 Late Collisions Register

**Register Name:** EMAC\_LCOL

**Access Type:** Read/Write

|      |    |    |    |    |    |    |    |
|------|----|----|----|----|----|----|----|
| 31   | 30 | 29 | 28 | 27 | 26 | 25 | 24 |
| –    | –  | –  | –  | –  | –  | –  | –  |
| 23   | 22 | 21 | 20 | 19 | 18 | 17 | 16 |
| –    | –  | –  | –  | –  | –  | –  | –  |
| 15   | 14 | 13 | 12 | 11 | 10 | 9  | 8  |
| –    | –  | –  | –  | –  | –  | –  | –  |
| 7    | 6  | 5  | 4  | 3  | 2  | 1  | 0  |
| LCOL |    |    |    |    |    |    |    |

• **LCOL: Late Collisions**

An 8-bit register counting the number of frames that experience a collision after the slot time (512 bits) has expired. A late collision is counted twice; i.e., both as a collision and a late collision.

### 38.5.26.10 Excessive Collisions Register

**Register Name:** EMAC\_EXCOL

**Access Type:** Read/Write

|       |    |    |    |    |    |    |    |
|-------|----|----|----|----|----|----|----|
| 31    | 30 | 29 | 28 | 27 | 26 | 25 | 24 |
| –     | –  | –  | –  | –  | –  | –  | –  |
| 23    | 22 | 21 | 20 | 19 | 18 | 17 | 16 |
| –     | –  | –  | –  | –  | –  | –  | –  |
| 15    | 14 | 13 | 12 | 11 | 10 | 9  | 8  |
| –     | –  | –  | –  | –  | –  | –  | –  |
| 7     | 6  | 5  | 4  | 3  | 2  | 1  | 0  |
| EXCOL |    |    |    |    |    |    |    |

• **EXCOL: Excessive Collisions**

An 8-bit register counting the number of frames that failed to be transmitted because they experienced 16 collisions.

## 38.5.26.11 Transmit Underrun Errors Register

**Register Name:** EMAC\_TUND

**Access Type:** Read/Write

|      |    |    |    |    |    |    |    |
|------|----|----|----|----|----|----|----|
| 31   | 30 | 29 | 28 | 27 | 26 | 25 | 24 |
| –    | –  | –  | –  | –  | –  | –  | –  |
| 23   | 22 | 21 | 20 | 19 | 18 | 17 | 16 |
| –    | –  | –  | –  | –  | –  | –  | –  |
| 15   | 14 | 13 | 12 | 11 | 10 | 9  | 8  |
| –    | –  | –  | –  | –  | –  | –  | –  |
| 7    | 6  | 5  | 4  | 3  | 2  | 1  | 0  |
| TUND |    |    |    |    |    |    |    |

- **TUND: Transmit Underruns**

An 8-bit register counting the number of frames not transmitted due to a transmit DMA underrun. If this register is incremented, then no other statistics register is incremented.

## 38.5.26.12 Carrier Sense Errors Register

**Register Name:** EMAC\_CSE

**Access Type:** Read/Write

|     |    |    |    |    |    |    |    |
|-----|----|----|----|----|----|----|----|
| 31  | 30 | 29 | 28 | 27 | 26 | 25 | 24 |
| –   | –  | –  | –  | –  | –  | –  | –  |
| 23  | 22 | 21 | 20 | 19 | 18 | 17 | 16 |
| –   | –  | –  | –  | –  | –  | –  | –  |
| 15  | 14 | 13 | 12 | 11 | 10 | 9  | 8  |
| –   | –  | –  | –  | –  | –  | –  | –  |
| 7   | 6  | 5  | 4  | 3  | 2  | 1  | 0  |
| CSE |    |    |    |    |    |    |    |

- **CSE: Carrier Sense Errors**

An 8-bit register counting the number of frames transmitted where carrier sense was not seen during transmission or where carrier sense was deasserted after being asserted in a transmit frame without collision (no underrun). Only incremented in half-duplex mode. The only effect of a carrier sense error is to increment this register. The behavior of the other statistics registers is unaffected by the detection of a carrier sense error.



### 38.5.26.13 Receive Resource Errors Register

**Register Name:** EMAC\_RRE

**Access Type:** Read/Write

|     |    |    |    |    |    |    |    |
|-----|----|----|----|----|----|----|----|
| 31  | 30 | 29 | 28 | 27 | 26 | 25 | 24 |
| –   | –  | –  | –  | –  | –  | –  | –  |
| 23  | 22 | 21 | 20 | 19 | 18 | 17 | 16 |
| –   | –  | –  | –  | –  | –  | –  | –  |
| 15  | 14 | 13 | 12 | 11 | 10 | 9  | 8  |
| RRE |    |    |    |    |    |    |    |
| 7   | 6  | 5  | 4  | 3  | 2  | 1  | 0  |
| RRE |    |    |    |    |    |    |    |

• **RRE: Receive Resource Errors**

A 16-bit register counting the number of frames that were address matched but could not be copied to memory because no receive buffer was available.

### 38.5.26.14 Receive Overrun Errors Register

**Register Name:** EMAC\_ROVR

**Access Type:** Read/Write

|      |    |    |    |    |    |    |    |
|------|----|----|----|----|----|----|----|
| 31   | 30 | 29 | 28 | 27 | 26 | 25 | 24 |
| –    | –  | –  | –  | –  | –  | –  | –  |
| 23   | 22 | 21 | 20 | 19 | 18 | 17 | 16 |
| –    | –  | –  | –  | –  | –  | –  | –  |
| 15   | 14 | 13 | 12 | 11 | 10 | 9  | 8  |
| –    | –  | –  | –  | –  | –  | –  | –  |
| 7    | 6  | 5  | 4  | 3  | 2  | 1  | 0  |
| ROVR |    |    |    |    |    |    |    |

• **ROVR: Receive Overrun**

An 8-bit register counting the number of frames that are address recognized but were not copied to memory due to a receive DMA overrun.



## 38.5.26.15 Receive Symbol Errors Register

**Register Name:** EMAC\_RSE

**Access Type:** Read/Write

|     |    |    |    |    |    |    |    |
|-----|----|----|----|----|----|----|----|
| 31  | 30 | 29 | 28 | 27 | 26 | 25 | 24 |
| –   | –  | –  | –  | –  | –  | –  | –  |
| 23  | 22 | 21 | 20 | 19 | 18 | 17 | 16 |
| –   | –  | –  | –  | –  | –  | –  | –  |
| 15  | 14 | 13 | 12 | 11 | 10 | 9  | 8  |
| –   | –  | –  | –  | –  | –  | –  | –  |
| 7   | 6  | 5  | 4  | 3  | 2  | 1  | 0  |
| RSE |    |    |    |    |    |    |    |

- **RSE: Receive Symbol Errors**

An 8-bit register counting the number of frames that had `rx_er` asserted during reception. Receive symbol errors are also counted as an FCS or alignment error if the frame is between 64 and 1518 bytes in length (1536 if bit 8 is set in the network configuration register). If the frame is larger, it is recorded as a jabber error.

## 38.5.26.16 Excessive Length Errors Register

**Register Name:** EMAC\_ELE

**Access Type:** Read/Write

|     |    |    |    |    |    |    |    |
|-----|----|----|----|----|----|----|----|
| 31  | 30 | 29 | 28 | 27 | 26 | 25 | 24 |
| –   | –  | –  | –  | –  | –  | –  | –  |
| 23  | 22 | 21 | 20 | 19 | 18 | 17 | 16 |
| –   | –  | –  | –  | –  | –  | –  | –  |
| 15  | 14 | 13 | 12 | 11 | 10 | 9  | 8  |
| –   | –  | –  | –  | –  | –  | –  | –  |
| 7   | 6  | 5  | 4  | 3  | 2  | 1  | 0  |
| EXL |    |    |    |    |    |    |    |

- **EXL: Excessive Length Errors**

An 8-bit register counting the number of frames received exceeding 1518 bytes (1536 if bit 8 set in network configuration register) in length but do not have either a CRC error, an alignment error nor a receive symbol error.

### 38.5.26.17 Receive Jabbers Register

**Register Name:** EMAC\_RJA

**Access Type:** Read/Write

|     |    |    |    |    |    |    |    |
|-----|----|----|----|----|----|----|----|
| 31  | 30 | 29 | 28 | 27 | 26 | 25 | 24 |
| –   | –  | –  | –  | –  | –  | –  | –  |
| 23  | 22 | 21 | 20 | 19 | 18 | 17 | 16 |
| –   | –  | –  | –  | –  | –  | –  | –  |
| 15  | 14 | 13 | 12 | 11 | 10 | 9  | 8  |
| –   | –  | –  | –  | –  | –  | –  | –  |
| 7   | 6  | 5  | 4  | 3  | 2  | 1  | 0  |
| RJB |    |    |    |    |    |    |    |

- **RJB: Receive Jabbers**

An 8-bit register counting the number of frames received exceeding 1518 bytes (1536 if bit 8 set in network configuration register) in length and have either a CRC error, an alignment error or a receive symbol error.

### 38.5.26.18 Undersize Frames Register

**Register Name:** EMAC\_USF

**Access Type:** Read/Write

|     |    |    |    |    |    |    |    |
|-----|----|----|----|----|----|----|----|
| 31  | 30 | 29 | 28 | 27 | 26 | 25 | 24 |
| –   | –  | –  | –  | –  | –  | –  | –  |
| 23  | 22 | 21 | 20 | 19 | 18 | 17 | 16 |
| –   | –  | –  | –  | –  | –  | –  | –  |
| 15  | 14 | 13 | 12 | 11 | 10 | 9  | 8  |
| –   | –  | –  | –  | –  | –  | –  | –  |
| 7   | 6  | 5  | 4  | 3  | 2  | 1  | 0  |
| USF |    |    |    |    |    |    |    |

- **USF: Undersize Frames**

An 8-bit register counting the number of frames received less than 64 bytes in length but do not have either a CRC error, an alignment error or a receive symbol error.

## 38.5.26.19 SQE Test Errors Register

**Register Name:** EMAC\_STE

**Access Type:** Read/Write

|      |    |    |    |    |    |    |    |
|------|----|----|----|----|----|----|----|
| 31   | 30 | 29 | 28 | 27 | 26 | 25 | 24 |
| –    | –  | –  | –  | –  | –  | –  | –  |
| 23   | 22 | 21 | 20 | 19 | 18 | 17 | 16 |
| –    | –  | –  | –  | –  | –  | –  | –  |
| 15   | 14 | 13 | 12 | 11 | 10 | 9  | 8  |
| –    | –  | –  | –  | –  | –  | –  | –  |
| 7    | 6  | 5  | 4  | 3  | 2  | 1  | 0  |
| SQER |    |    |    |    |    |    |    |

- **SQER: SQE Test Errors**

An 8-bit register counting the number of frames where ECOL was not asserted within 96 bit times (an interframe gap) of tx\_en being deasserted in half duplex mode.

## 38.5.26.20 Received Length Field Mismatch Register

**Register Name:** EMAC\_RLE

**Access Type:** Read/Write

|      |    |    |    |    |    |    |    |
|------|----|----|----|----|----|----|----|
| 31   | 30 | 29 | 28 | 27 | 26 | 25 | 24 |
| –    | –  | –  | –  | –  | –  | –  | –  |
| 23   | 22 | 21 | 20 | 19 | 18 | 17 | 16 |
| –    | –  | –  | –  | –  | –  | –  | –  |
| 15   | 14 | 13 | 12 | 11 | 10 | 9  | 8  |
| –    | –  | –  | –  | –  | –  | –  | –  |
| 7    | 6  | 5  | 4  | 3  | 2  | 1  | 0  |
| RLFM |    |    |    |    |    |    |    |

- **RLFM: Receive Length Field Mismatch**

An 8-bit register counting the number of frames received that have a measured length shorter than that extracted from its length field. Checking is enabled through bit 16 of the network configuration register. Frames containing a type ID in bytes 13 and 14 (i.e., length/type ID  $\geq$  0x0600) are not counted as length field errors, neither are excessive length frames.



## 39. AT91SAM7X256/128 Electrical Characteristics

### 39.1 Absolute Maximum Ratings

**Table 39-1.** Absolute Maximum Ratings\*

|  |                   |
|--|-------------------|
| Operating Temperature (Industrial).....                                | -40° C to + 85° C |
| Storage Temperature.....   | -60°C to + 150°C  |
| Voltage on Input Pins<br>with Respect to Ground.....                   | -0.3V to + 5.5V   |
| Maximum Operating Voltage<br>(VDDCORE, and VDDPLL).....                | 1.95V             |
| Maximum Operating Voltage<br>(VDDIO, VDDIN and VDDFLASH).....          | 3.6V              |
| Total DC Output Current on all I/O lines<br>100-lead LQFP package..... | 200 mA            |

\*NOTICE: Stresses beyond those listed under “Absolute Maximum Ratings” may cause permanent damage to the device. This is a stress rating only and functional operation of the device at these or other conditions beyond those indicated in the operational sections of this specification is not implied. Exposure to absolute maximum rating conditions for extended periods may affect device reliability.

## 39.2 DC Characteristics

The following characteristics are applicable to the operating temperature range:  $T_A = -40^{\circ}\text{C}$  to  $85^{\circ}\text{C}$ , unless otherwise specified and are certified for a junction temperature up to  $T_J = 100^{\circ}\text{C}$ .

**Table 39-2.** DC Characteristics

| Symbol                | Parameter   | Conditions   | Min                        | Typ  | Max  | Units         |
|-----------------------|---|--|----------------------------|------|------|---------------|
| $V_{\text{VDDCORE}}$  | DC Supply Core                                    |  | 1.65                       |      | 1.95 | V             |
| $V_{\text{VDDPLL}}$   | DC Supply PLL                                     |  | 1.65                       |      | 1.95 | V             |
| $V_{\text{VDDIO}}$    | DC Supply I/Os                                    |  | 3.0                        |      | 3.6  | V             |
| $V_{\text{VDDFLASH}}$ | DC Supply Flash                                   |  | 3.0                        |      | 3.6  | V             |
| $V_{\text{IL}}$       | Input Low-level Voltage                           | $V_{\text{VDDIO}}$ from 3.0V to 3.6V   | -0.3                       |      | 0.8  | V             |
| $V_{\text{IH}}$       | Input High-level Voltage                          | $V_{\text{VDDIO}}$ from 3.0V to 3.6V   | 2.0                        |      | 5.5  | V             |
| $V_{\text{OL}}$       | Output Low-level Voltage                          | $I_{\text{O}}$ max, $V_{\text{VDDIO}}$ from 3.0V to 3.6V   |                            |      | 0.4  | V             |
| $V_{\text{OH}}$       | Output High-level Voltage                         | $I_{\text{O}}$ max, $V_{\text{VDDIO}}$ from 3.0V to 3.6V   | $V_{\text{DDIO}} - 0.4$    |      |      | V             |
| $I_{\text{LEAK}}$     | Input Leakage Current                             | PA0-PA3, Pull-up resistors disabled<br>(Typ: $T_A = 25^{\circ}\text{C}$ , Max: $T_A = 85^{\circ}\text{C}$ )  |                            | 40   | 400  | nA            |
|                       |   | Other PIOs, Pull-up resistors disabled<br>(Typ: $T_A = 25^{\circ}\text{C}$ , Max: $T_A = 85^{\circ}\text{C}$ )   |                            | 20   | 200  | nA            |
| $I_{\text{PULLUP}}$   | Input Pull-up Current                             | PB27-PB30, $V_{\text{VDDIO}}$ from 3.0V to 3.6V,<br>PAx connected to ground  | 10                         | 20.6 | 60   | $\mu\text{A}$ |
|                       |   | Other PIOs, $V_{\text{VDDIO}}$ from 3.0V to 3.6V,<br>PAx connected to ground   | 143                        | 321  | 600  | $\mu\text{A}$ |
| $I_{\text{PULLDOWN}}$ | Input Pull-down Current,<br>(TST, ERASE, JTAGSEL) | $V_{\text{VDDIO}}$ from 3.0V to 3.6V,<br>Pins connected to $V_{\text{VDDIO}}$  | 135                        | 295  | 550  | $\mu\text{A}$ |
| $C_{\text{IN}}$       | Input Capacitance                                 | 100 LQFP Package   |                            |      | 13.9 | pF            |
| $I_{\text{SC}}$       | Static Current<br>(AT91SAM7X256/128)              | On $V_{\text{VDDCORE}} = 1.85\text{V}$ ,<br>MCK = 500Hz<br><br>All inputs driven at 1<br>(including TMS, TDI, TCK, NRST)<br>Flash in standby mode<br>All peripherals off | $T_A = 25^{\circ}\text{C}$ | 12   | 60   | $\mu\text{A}$ |
|                       |   |  | $T_A = 85^{\circ}\text{C}$ | 100  | 400  |               |
| $I_{\text{O}}$        | Output Current                                    | PA0-PA3, $V_{\text{VDDIO}}$ from 3.0V to 3.6V  |                            |      | 16   | mA            |
|                       |   | PB27-PB30 and NRST, $V_{\text{VDDIO}}$ from 3.0V to 3.6V   |                            |      | 2    | mA            |
|                       |   | Other PIOs, $V_{\text{VDDIO}}$ from 3.0V to 3.6V   |                            |      | 8    | mA            |
| $T_{\text{SLOPE}}$    | Supply Core Slope                                 |  | 6                          |      |      | V/ms          |

Note that even during startup,  $V_{\text{VDDFLASH}}$  must always be superior or equal to  $V_{\text{VDDCORE}}$ .

**Table 39-3.** 1.8V Voltage Regulator Characteristics

| Symbol              | Parameter                 | Conditions   | Min  | Typ  | Max  | Units |
|---------------------|---------------------------|--|------|------|------|-------|
| V <sub>VDDIN</sub>  | Supply Voltage            |  | 3.0  | 3.3  | 3.6  | V     |
| V <sub>VDDOUT</sub> | Output Voltage            | I <sub>O</sub> = 20 mA                                     | 1.81 | 1.85 | 1.89 | V     |
| I <sub>VDDIN</sub>  | Current consumption       | After startup, no load                                     |      | 90   |      | μA    |
|                     |                           | After startup, Idle mode, no load                          |      | 10   | 25   | μA    |
| T <sub>START</sub>  | Startup Time              | C <sub>load</sub> = 2.2 μF, after V <sub>DDIN</sub> > 2.7V |      |      | 150  | μS    |
| I <sub>O</sub>      | Maximum DC Output Current | V <sub>DDIN</sub> = 3.3V                                   |      |      | 100  | mA    |
| I <sub>O</sub>      | Maximum DC Output Current | V <sub>DDIN</sub> = 3.3V, in Idle Mode                     |      |      | 1    | mA    |

**Table 39-4.** Brownout Detector Characteristics

| Symbol              | Parameter                | Conditions  | Min  | Typ  | Max  | Units |
|---------------------|--------------------------|---|------|------|------|-------|
| V <sub>BOT18-</sub> | VDDCORE Threshold Level  |   | 1.65 | 1.68 | 1.71 | V     |
| V <sub>HYST18</sub> | VDDCORE Hysteresis       | V <sub>HYST18</sub> = V <sub>BOT18+</sub> - V <sub>BOT18-</sub> |      | 50   | 65   | mV    |
| V <sub>BOT33-</sub> | VDDFLASH Threshold Level |   | 2.70 | 2.80 | 2.90 | V     |
| V <sub>HYST33</sub> | VDDFLASH Hysteresis      | V <sub>HYST33</sub> = V <sub>BOT33+</sub> - V <sub>BOT33-</sub> |      | 70   | 120  | mV    |
| I <sub>DD</sub>     | Current Consumption      | BOD on (GPNVM0 bit active)                                      |      | 24   | 30   | μA    |
|                     |                          | BOD off (GPNVM0 bit inactive)                                   |      |      | 1    | μA    |
| T <sub>START</sub>  | Startup Time             |   |      | 100  | 200  | μs    |

**Table 39-5.** DC Flash Characteristics AT91SAM7X256/128

| Symbol          | Parameter       | Conditions   | Min | Max        | Units    |
|-----------------|-----------------|--|-----|------------|----------|
| T <sub>PU</sub> | Power-up delay  |  |     | 45         | μS       |
| I <sub>SB</sub> | Standby current | @25°C<br>onto VDDCORE = 1.8V<br>onto VDDFLASH = 3.3V               |     | 10<br>30   | μA       |
|                 |                 | @85°C<br>onto VDDCORE = 1.8V<br>onto VDDFLASH = 3.3V               |     | 10<br>120  | μA       |
| I <sub>CC</sub> | Active current  | Random Read @ 30MHz<br>onto VDDCORE = 1.8V<br>onto VDDFLASH = 3.3V |     | 3.0<br>0.8 | mA       |
|                 |                 | Write<br>onto VDDCORE = 1.8V<br>onto VDDFLASH = 3.3V               |     | 400<br>5.5 | μA<br>mA |

### 39.3 Power Consumption

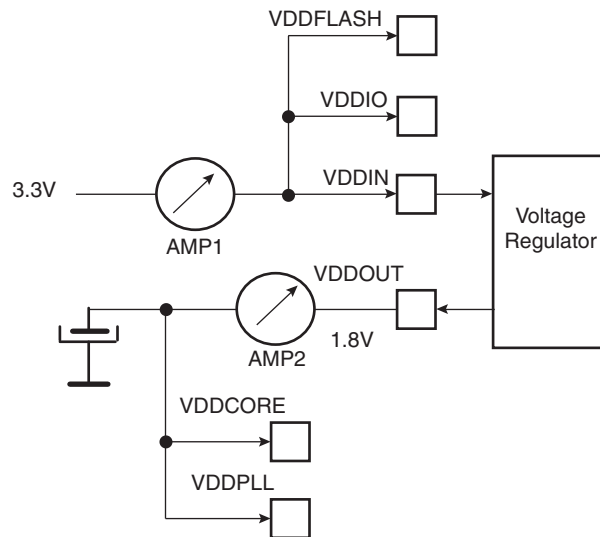
- Typical power consumption of PLLs, Slow Clock and Main Oscillator.
- Power consumption of power supply in two different modes: Active and ultra Low-power.
- Power consumption by peripheral: calculated as the difference in current measurement after having enabled then disabled the corresponding clock.

#### 39.3.1 Power Consumption Versus Modes

The values in [Table 39-6](#) and [Table 39-7](#) on page 601 are measured values of the power consumption with operating conditions as follows:

- $V_{DDIO} = V_{DDIN} = V_{DDFLASH} = 3.3V$
- $V_{DDCORE} = V_{DDPLL} = 1.85V$
- $T_A = 25^\circ C$
- There is no consumption on the I/Os of the device

**Figure 39-1.** Measure Schematics:





These figures represent the power consumption typically measured on the power supplies..

**Table 39-6.** Power Consumption for Different Modes

| Mode                                 | Conditions  | Consumption | Unit |
|--------------------------------------|---|-------------|------|
| <b>Active<br/>(AT91SAM7X256/128)</b> | Voltage regulator is on.<br>Brown Out Detector is activated.<br>Flash is read.<br>ARM Core clock is 50MHz.<br>Analog-to-Digital Converter activated.<br>All peripheral clocks activated.<br>USB transceiver enabled.  | 50          | mA   |
|                                      | onto AMP1<br>onto AMP2  | 49          |      |
| <b>Ultra low power</b>               | Voltage regulator is in Low-power mode.<br>Brown Out Detector is de-activated.<br>Flash is in standby mode.<br>ARM Core in idle mode.<br>MCK @ 500Hz.<br>Analog-to-Digital Converter de-activated.<br>All peripheral clocks de-activated.<br>USB transceiver disabled.<br>DDM and DDP pins connected to ground. | 26          | μA   |
|                                      | onto AMP1<br>onto AMP2  | 12          |      |

### 39.3.2 Peripheral Power Consumption in Active Mode

**Table 39-7.** Power Consumption on  $V_{DDCORE}^{(1)}$

| Peripheral                            | Consumption (Typ) | Unit   |
|---------------------------------------|-------------------|--------|
| PIO Controller                        | 12                | μA/MHz |
| USART                                 | 28                |        |
| UDP                                   | 20                |        |
| PWM                                   | 16                |        |
| TWI                                   | 5                 |        |
| SPI                                   | 16                |        |
| SSC                                   | 32                |        |
| Timer Counter Channels                | 6                 |        |
| CAN                                   | 75                |        |
| ARM7TDMI                              | 160               |        |
| EMAC                                  | 120               |        |
| System Peripherals (AT91SAM7X128/256) | 200               |        |

Note: 1. Note:  $V_{DDCORE} = 1.85V$ ,  $T_A = 25^\circ C$

## 39.4 Crystal Oscillators Characteristics

### 39.4.1 RC Oscillator Characteristics

**Table 39-8.** RC Oscillator Characteristics

| Symbol         | Parameter               | Conditions          | Min | Typ | Max | Unit    |
|----------------|-------------------------|---------------------|-----|-----|-----|---------|
| $1/(t_{CPRC})$ | RC Oscillator Frequency | $V_{DDPLL} = 1.65V$ | 22  | 32  | 42  | kHz     |
|                | Duty Cycle              |                     | 45  | 50  | 55  | %       |
| $t_{ST}$       | Startup Time            | $V_{DDPLL} = 1.65V$ |     |     | 75  | $\mu s$ |
| $I_{OSC}$      | Current Consumption     | After Startup Time  |     |     | 1.9 | $\mu A$ |

### 39.4.2 Main Oscillator Characteristics

**Table 39-9.** Main Oscillator Characteristics

| Symbol           | Parameter  | Conditions  | Min | Typ  | Max              | Unit    |
|------------------|--|---|-----|------|------------------|---------|
| $1/(t_{CPMAIN})$ | Crystal Oscillator Frequency                       |   | 3   | 16   | 20               | MHz     |
| $C_{L1}, C_{L2}$ | Internal Load Capacitance<br>( $C_{L1} = C_{L2}$ ) |   |     | 25   |                  | pF      |
| $C_L$            | Equivalent Load Capacitance                        |   |     | 12.5 |                  | pF      |
|                  | Duty Cycle   |   | 40  | 50   | 60               | %       |
| $t_{ST}$         | Startup Time                                       | $V_{DDPLL} = 1.2$ to $2V$<br>$C_S = 3$ pF <sup>(1)</sup> $1/(t_{CPMAIN}) = 3$ MHz<br>$C_S = 7$ pF <sup>(1)</sup> $1/(t_{CPMAIN}) = 16$ MHz<br>$C_S = 7$ pF <sup>(1)</sup> $1/(t_{CPMAIN}) = 20$ MHz |     |      | 14.5<br>1.4<br>1 | ms      |
| $I_{OSC}$        | Current Consumption                                | Active mode   |     |      | 550              | $\mu A$ |
|                  |  | Standby mode  |     |      | 1                | $\mu A$ |

Note: 1.  $C_S$  is the shunt capacitance

### 39.4.3 XIN Clock Characteristics

**Table 39-10.** XIN Clock Electrical Characteristics

| Symbol          | Parameter                          | Conditions | Min                    | Max                    | Units      |
|-----------------|------------------------------------|------------|------------------------|------------------------|------------|
| $1/(t_{CPXIN})$ | XIN Clock Frequency                | (1)        |                        | 50.0                   | MHz        |
| $t_{CPXIN}$     | XIN Clock Period                   | (1)        | 20.0                   |                        | ns         |
| $t_{CHXIN}$     | XIN Clock High Half-period         | (1)        | $0.4 \times t_{CPXIN}$ | $0.6 \times t_{CPXIN}$ |            |
| $t_{CLXIN}$     | XIN Clock Low Half-period          | (1)        | $0.4 \times t_{CPXIN}$ | $0.6 \times t_{CPXIN}$ |            |
| $C_{IN}$        | XIN Input Capacitance              | (1)        |                        | 25                     | pF         |
| $R_{IN}$        | XIN Pull-down Resistor             | (1)        |                        | 500                    | k $\Omega$ |
| $V_{XIN\_IL}$   | $V_{XIN}$ Input Low-level Voltage  | (1)        | -0.3                   | $0.2 \times V_{DDPLL}$ | V          |
| $V_{XIN\_IH}$   | $V_{XIN}$ Input High-level Voltage | (1)        | $0.8 \times V_{DDPLL}$ | 1.95                   | V          |

Note: 1. These characteristics apply only when the Main Oscillator is in bypass mode (i.e., when MOSCEN = 0 and OSCBYPASS = 1 in the CKGR\_MOR register, see [Section 26.9.7 "PMC Clock Generator Main Oscillator Register"](#) on page 192.

## 39.5 PLL Characteristics

**Table 39-11.** Phase Lock Loop Characteristics

| Symbol           | Parameter           | Conditions                   | Min | Typ | Max | Unit |
|------------------|---------------------|------------------------------|-----|-----|-----|------|
| F <sub>OUT</sub> | Output Frequency    | Field out of CKGR_PLL is: 00 | 80  |     | 160 | MHz  |
|                  |                     | 10                           | 150 |     | 200 | MHz  |
| F <sub>IN</sub>  | Input Frequency     |                              | 1   |     | 32  | MHz  |
| I <sub>PLL</sub> | Current Consumption | Active mode                  |     |     | 4   | mA   |
|                  |                     | Standby mode                 |     |     | 1   | μA   |

Note: Startup time depends on PLL RC filter. A calculation tool is provided by Atmel.

## 39.6 USB Transceiver Characteristics

### 39.6.1 Electrical Characteristics

**Table 39-12.** Electrical Parameters

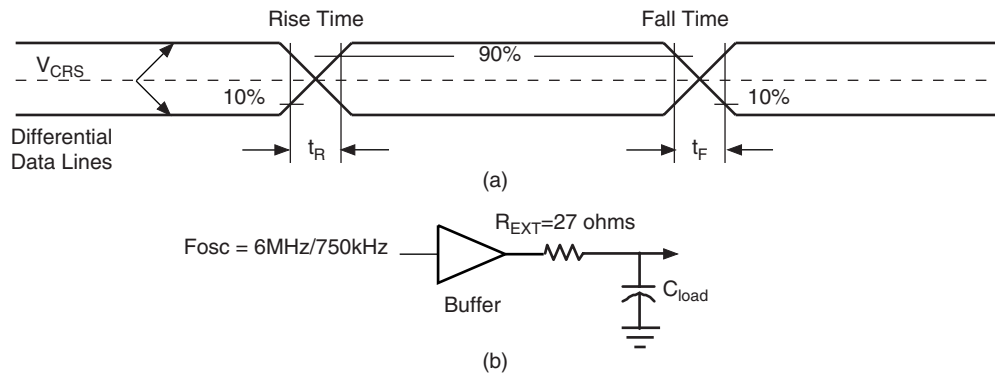
| Symbol               | Parameter                                | Conditions  | Min | Typ | Max  | Unit     |
|----------------------|--|---|-----|-----|------|----------|
| <b>Input Levels</b>  |  |   |     |     |      |          |
| $V_{IL}$             | Low Level                                |   |     |     | 0.8  | V        |
| $V_{IH}$             | High Level                               |   | 2.0 |     |      | V        |
| $V_{DI}$             | Differential Input Sensitivity           | $ D+ - D- $   | 0.2 |     |      | V        |
| $V_{CM}$             | Differential Input Common Mode Range     |   | 0.8 |     | 2.5  | V        |
| $C_{IN}$             | Transceiver capacitance                  | Capacitance to ground on each line                          |     |     | 9.18 | pF       |
| $I$                  | Hi-Z State Data Line Leakage             | $0V < V_{IN} < 3.3V$  | -10 |     | +10  | $\mu A$  |
| $R_{EXT}$            | Recommended External USB Series Resistor | In series with each USB pin with $\pm 5\%$                  |     | 27  |      | $\Omega$ |
| <b>Output Levels</b> |  |   |     |     |      |          |
| $V_{OL}$             | Low Level Output                         | Measured with $R_L$ of 1.425 kOhm tied to 3.6V              | 0.0 |     | 0.3  | V        |
| $V_{OH}$             | High Level Output                        | Measured with $R_L$ of 14.25 kOhm tied to GND               | 2.8 |     | 3.6  | V        |
| $V_{CRS}$            | Output Signal Crossover Voltage          | Measure conditions described in <a href="#">Figure 39-2</a> | 1.3 |     | 2.0  | V        |
| <b>Consumption</b>   |  |   |     |     |      |          |
| $I_{VDDIO}$          | Current Consumption                      | Transceiver enabled in input mode<br>DDP=1 and DDM=0        |     | 105 | 200  | $\mu A$  |
| $I_{VDDCORE}$        | Current Consumption                      |   |     | 80  | 150  | $\mu A$  |

### 39.6.2 Switching Characteristics

**Table 39-13.** In Full Speed

| Symbol     | Parameter               | Conditions         | Min | Typ | Max    | Unit |
|------------|-------------------------|--------------------|-----|-----|--------|------|
| $t_{FR}$   | Transition Rise Time    | $C_{LOAD} = 50$ pF | 4   |     | 20     | ns   |
| $t_{FE}$   | Transition Fall Time    | $C_{LOAD} = 50$ pF | 4   |     | 20     | ns   |
| $t_{FRFM}$ | Rise/Fall time Matching |                    | 90  |     | 111.11 | %    |

Figure 39-2. USB Data Signal Rise and Fall Times



## 39.7 ADC Characteristics

**Table 39-14.** Channel Conversion Time and ADC Clock

| Parameter                       | Conditions             | Min | Typ | Max                | Units |
|---------------------------------|------------------------|-----|-----|--------------------|-------|
| ADC Clock Frequency             | 10-bit resolution mode |     |     | 5                  | MHz   |
| ADC Clock Frequency             | 8-bit resolution mode  |     |     | 8                  | MHz   |
| Startup Time                    | Return from Idle Mode  |     |     | 20                 | μs    |
| Track and Hold Acquisition Time |                        | 600 |     |                    | ns    |
| Conversion Time                 | ADC Clock = 5 MHz      |     |     | 2                  | μs    |
| Conversion Time                 | ADC Clock = 8 MHz      |     |     | 1.25               | μs    |
| Throughput Rate                 | ADC Clock = 5 MHz      |     |     | 384 <sup>(1)</sup> | kSPS  |
| Throughput Rate                 | ADC Clock = 8 MHz      |     |     | 533 <sup>(2)</sup> | kSPS  |

Notes: 1. Corresponds to 13 clock cycles at 5 MHz: 3 clock cycles for track and hold acquisition time and 10 clock cycles for conversion.  
 2. Corresponds to 15 clock cycles at 8 MHz: 5 clock cycles for track and hold acquisition time and 10 clock cycles for conversion.

**Table 39-15.** External Voltage Reference Input

| Parameter                    | Conditions                           | Min | Typ  | Max               | Units |
|------------------------------|--------------------------------------|-----|------|-------------------|-------|
| ADVREF Input Voltage Range   |                                      | 2.6 |      | V <sub>DDIN</sub> | V     |
| ADVREF Average Current       | On 13 samples with ADC Clock = 5 MHz |     | 200  | 250               | μA    |
| Current Consumption on VDDIN |                                      |     | 0.55 | 1                 | mA    |

**Table 39-16.** Analog Inputs

| Parameter             | Min | Typ | Max                 | Units |
|-----------------------|-----|-----|---------------------|-------|
| Input Voltage Range   | 0   |     | V <sub>ADVREF</sub> |       |
| Input Leakage Current |     | 1   |                     | μA    |
| Input Capacitance     |     | 12  | 14                  | pF    |

The user can drive ADC input with impedance up to:

- $Z_{OUT} \leq (\text{SHTIM} - 470) \times 10$  in 8-bit resolution mode
- $Z_{OUT} \leq (\text{SHTIM} - 589) \times 7.69$  in 10-bit resolution mode

with SHTIM (Sample and Hold Time register) expressed in ns and  $Z_{OUT}$  expressed in ohms.

**Table 39-17.** Transfer Characteristics

| Parameter                  | Min | Typ | Max | Units |
|----------------------------|-----|-----|-----|-------|
| Resolution                 |     | 10  |     | Bit   |
| Integral Non-linearity     |     |     | ±3  | LSB   |
| Differential Non-linearity |     |     | ±2  | LSB   |
| Offset Error               |     |     | ±2  | LSB   |
| Gain Error                 |     |     | ±2  | LSB   |

## 39.8 AC Characteristics

### 39.8.1 Master Clock Characteristics

**Table 39-18.** Master Clock Waveform Parameters

| Symbol          | Parameter              | Conditions | Min | Max | Units |
|-----------------|------------------------|------------|-----|-----|-------|
| $1/(t_{CPMCK})$ | Master Clock Frequency |            |     | 55  | MHz   |

### 39.8.2 I/O Characteristics

Criteria used to define the maximum frequency of the I/Os:

- output duty cycle (30%-70%)
- minimum output swing: 100mV to VDDIO - 100mV
- Addition of rising and falling time inferior to 75% of the period

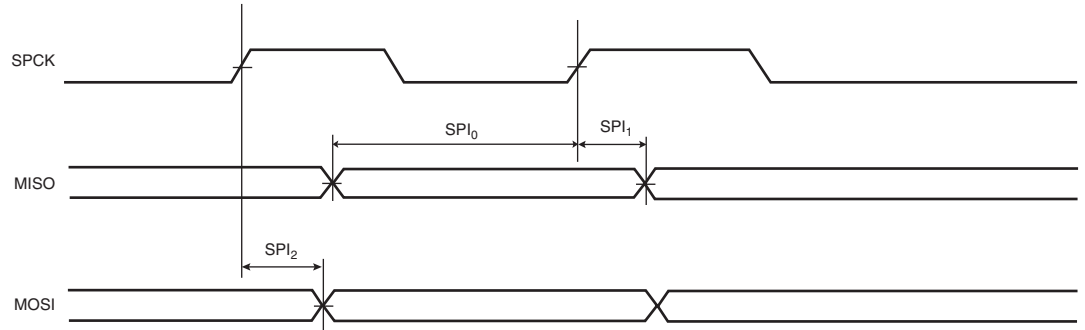
**Table 39-19.** I/O Characteristics

| Symbol                   | Parameter   | Conditions                 | Min  | Max  | Units |
|--------------------------|---|----------------------------|------|------|-------|
| FreqMax <sub>I01</sub>   | Pin Group 1 <sup>(1)</sup> frequency              | Load: 40 pF <sup>(4)</sup> |      | 12.5 | MHz   |
| PulseminH <sub>I01</sub> | Pin Group 1 <sup>(1)</sup> High Level Pulse Width | Load: 40 pF <sup>(4)</sup> | 40   |      | ns    |
| PulseminL <sub>I01</sub> | Pin Group 1 <sup>(1)</sup> Low Level Pulse Width  | Load: 40 pF <sup>(4)</sup> | 40   |      | ns    |
| FreqMax <sub>I02</sub>   | Pin Group 2 <sup>(2)</sup> frequency              | Load: 40 pF <sup>(4)</sup> |      | 25   | MHz   |
|                          |   | Load: 20 pF <sup>(5)</sup> |      | 30   | MHz   |
| PulseminH <sub>I02</sub> | Pin Group 2 <sup>(2)</sup> High Level Pulse Width | Load: 40 pF <sup>(4)</sup> | 20   |      | ns    |
|                          |   | Load: 20 pF <sup>(5)</sup> | 10   |      | ns    |
| PulseminL <sub>I02</sub> | Pin Group 2 <sup>(2)</sup> Low Level Pulse Width  | Load: 40 pF <sup>(4)</sup> | 20   |      | ns    |
|                          |   | Load: 20 pF <sup>(5)</sup> | 10   |      | ns    |
| FreqMax <sub>I03</sub>   | Pin Group 3 <sup>(3)</sup> frequency              | Load: 40 pF <sup>(4)</sup> |      | 30   | MHz   |
| PulseminH <sub>I03</sub> | Pin Group 3 <sup>(3)</sup> High Level Pulse Width | Load: 40 pF <sup>(4)</sup> | 16.6 |      | ns    |
| PulseminL <sub>I03</sub> | Pin Group 3 <sup>(3)</sup> Low Level Pulse Width  | Load: 40 pF <sup>(4)</sup> | 16.6 |      | ns    |

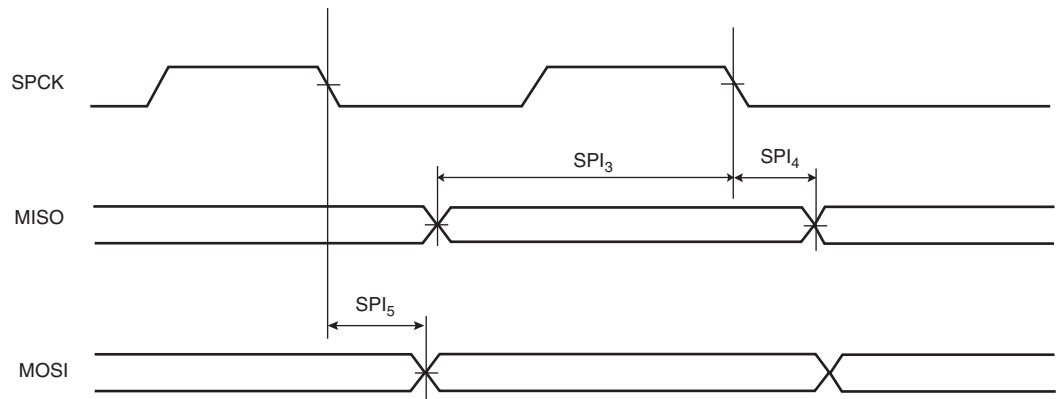
- Notes:
1. Pin Group 1 = PB27 to PB30
  2. Pin Group 2 = PA4 to PA30 and PB0 to PB30
  3. Pin Group 3 = PA0 to PA3
  4.  $V_{VDDIO}$  from 3.0V to 3.6V, maximum external capacitor = 40pF
  5.  $V_{VDDIO}$  from 3.0V to 3.6V, maximum external capacitor = 20pF

### 39.8.3 SPI Characteristics

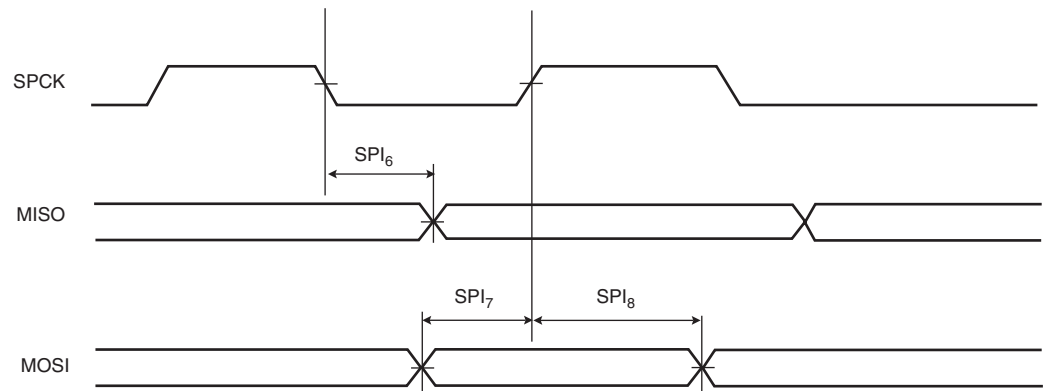
**Figure 39-3.** SPI Master mode with (CPOL = NCPHA = 0) or (CPOL= NCPHA= 1)



**Figure 39-4.** SPI Master mode with (CPOL=0 and NCPHA=1) or (CPOL=1 and NCPHA=0)

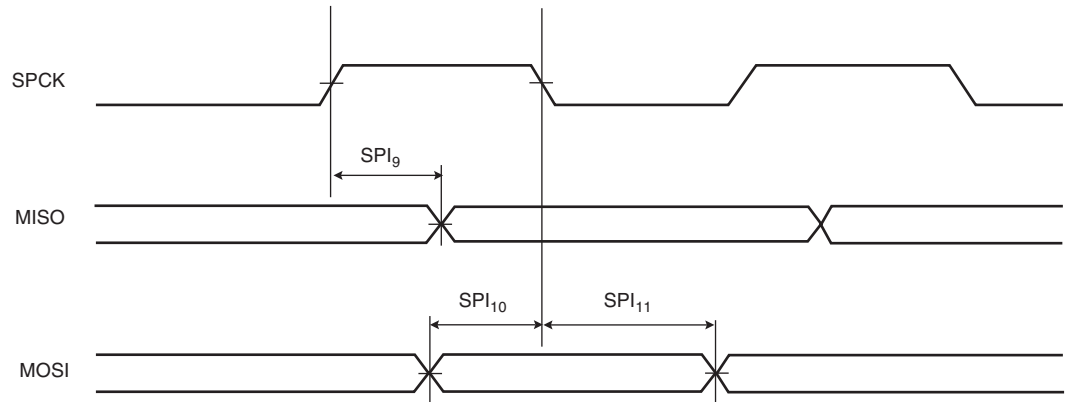


**Figure 39-5.** SPI Slave mode with (CPOL=0 and NCPHA=1) or (CPOL=1 and NCPHA=0)





**Figure 39-6.** SPI Slave mode with (CPOL = NCPHA = 0) or (CPOL= NCPHA= 1)



**Table 39-20.** SPI Timings

| Symbol            | Parameter                                  | Conditions                 | Min | Max  | Units |
|-------------------|--|----------------------------|-----|------|-------|
| SPI <sub>0</sub>  | MISO Setup time before SPCK rises (master) | 3.3V domain <sup>(1)</sup> |     | 28.5 | ns    |
| SPI <sub>1</sub>  | MISO Hold time after SPCK rises (master)   | 3.3V domain <sup>(1)</sup> | 0   |      | ns    |
| SPI <sub>2</sub>  | SPCK rising to MOSI Delay (master)         | 3.3V domain <sup>(1)</sup> |     | 2    | ns    |
| SPI <sub>3</sub>  | MISO Setup time before SPCK falls (master) | 3.3V domain <sup>(1)</sup> |     | 26.5 | ns    |
| SPI <sub>4</sub>  | MISO Hold time after SPCK falls (master)   | 3.3V domain <sup>(1)</sup> | 0   |      | ns    |
| SPI <sub>5</sub>  | SPCK falling to MOSI Delay (master)        | 3.3V domain <sup>(1)</sup> |     | 2    | ns    |
| SPI <sub>6</sub>  | SPCK falling to MISO Delay (slave)         | 3.3V domain <sup>(1)</sup> |     | 28   | ns    |
| SPI <sub>7</sub>  | MOSI Setup time before SPCK rises (slave)  | 3.3V domain <sup>(1)</sup> | 2   |      | ns    |
| SPI <sub>8</sub>  | MOSI Hold time after SPCK rises (slave)    | 3.3V domain <sup>(1)</sup> | 3   |      | ns    |
| SPI <sub>9</sub>  | SPCK rising to MISO Delay (slave)          | 3.3V domain <sup>(1)</sup> |     | 28   | ns    |
| SPI <sub>10</sub> | MOSI Setup time before SPCK falls (slave)  | 3.3V domain <sup>(1)</sup> | 3   |      | ns    |
| SPI <sub>11</sub> | MOSI Hold time after SPCK falls (slave)    | 3.3V domain <sup>(1)</sup> | 3   |      | ns    |

Notes: 1. 3.3V domain: V<sub>DDIO</sub> from 3.0V to 3.6V, maximum external capacitor = 40 pF.

### 39.8.4 EMAC Characteristics

**Table 39-21.** EMAC Signals

| Symbol            | Parameter                        | Conditions                | Min (ns) | Max (ns)                        |
|-------------------|----------------------------------|---------------------------|----------|---------------------------------|
| EMAC <sub>1</sub> | Setup for EMDIO from EMDC rising | Load: 20pF <sup>(2)</sup> |          | 2                               |
| EMAC <sub>2</sub> | Hold for EMDIO from EMDC rising  | Load: 20pF <sup>(2)</sup> |          | $((1/f)-19) + 4$ <sup>(1)</sup> |
| EMAC <sub>3</sub> | EMDIO toggling from EMDC rising  | Load: 20pF <sup>(2)</sup> |          | 4.5                             |

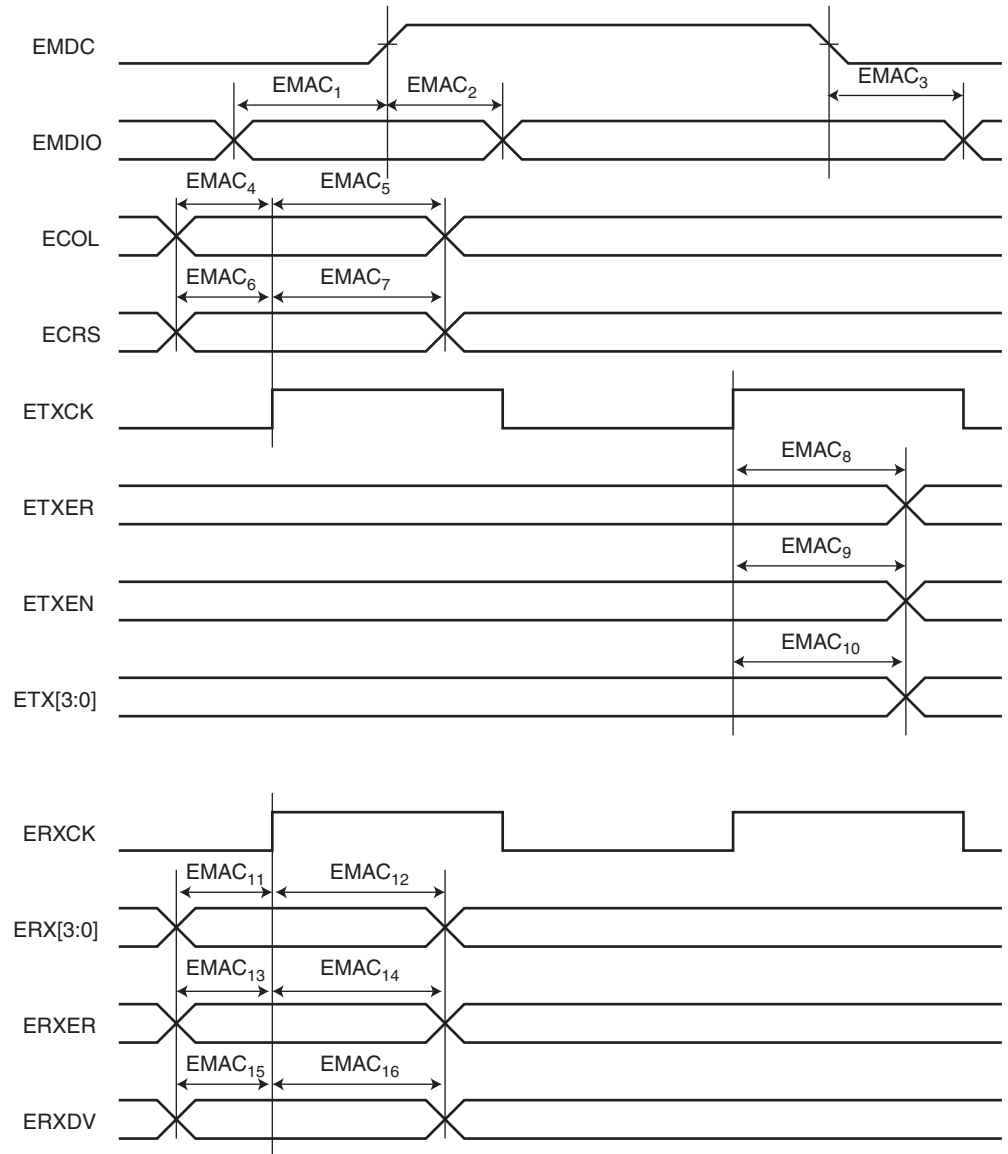
- Notes: 1. f: MCK frequency (MHz)  
 2. V<sub>VDDIO</sub> from 3.0V to 3.6V, maximum external capacitor = 20 pF

**Table 39-22.** EMAC MII Specific Signals

| Symbol             | Parameter                        | Conditions                | Min (ns) | Max (ns) |
|--------------------|----------------------------------|---------------------------|----------|----------|
| EMAC <sub>4</sub>  | Setup for ECOL from ETXCK rising | Load: 20pF <sup>(1)</sup> | 0        |          |
| EMAC <sub>5</sub>  | Hold for ECOL from ETXCK rising  | Load: 20pF <sup>(1)</sup> | 2        |          |
| EMAC <sub>6</sub>  | Setup for ECRS from ETXCK rising | Load: 20pF <sup>(1)</sup> | 1.5      |          |
| EMAC <sub>7</sub>  | Hold for ECRS from ETXCK rising  | Load: 20pF <sup>(1)</sup> | 2        |          |
| EMAC <sub>8</sub>  | ETXER toggling from ETXCK rising | Load: 20pF <sup>(1)</sup> |          | 25       |
| EMAC <sub>9</sub>  | ETXEN toggling from ETXCK rising | Load: 20pF <sup>(1)</sup> |          | 25       |
| EMAC <sub>10</sub> | ETX toggling from ETXCK rising   | Load: 20pF <sup>(1)</sup> |          | 25       |
| EMAC <sub>11</sub> | Setup for ERX from ERXCK         | Load: 20pF <sup>(1)</sup> | 0        |          |
| EMAC <sub>12</sub> | Hold for ERX from ERXCK          | Load: 20pF <sup>(1)</sup> | 4        |          |
| EMAC <sub>13</sub> | Setup for ERXER from ERXCK       | Load: 20pF <sup>(1)</sup> | 0        |          |
| EMAC <sub>14</sub> | Hold for ERXER from ERXCK        | Load: 20pF <sup>(1)</sup> | 4        |          |
| EMAC <sub>15</sub> | Setup for ERXDV from ERXCK       | Load: 20pF <sup>(1)</sup> | 2        |          |
| EMAC <sub>16</sub> | Hold for ERXDV from ERXCK        | Load: 20pF <sup>(1)</sup> | 2        |          |

- Note: 1. V<sub>VDDIO</sub> from 3.0V to 3.6V, maximum external capacitor = 20 pF

**Figure 39-7. EMAC MII Mode**



### 39.8.5 Embedded Flash Characteristics

The maximum operating frequency is given in [Table 39-23](#) but is limited by the Embedded Flash access time when the processor is fetching code out of it. [Table 39-23](#) gives the device maximum operating frequency depending on the field FWS of the MC\_FMR register. This field defines the number of wait states required to access the Embedded Flash Memory.

**Table 39-23.** Embedded Flash Wait States

| FWS | Read Operations | Maximum Operating Frequency (MHz) |
|-----|-----------------|-----------------------------------|
| 0   | 1 cycle         | 30                                |
| 1   | 2 cycles        | 55                                |
| 2   | 3 cycles        | 55                                |
| 3   | 4 cycles        | 55                                |

**Table 39-24.** AC Flash Characteristics

| Parameter          | Conditions                    | Min | Max | Units |
|--------------------|-------------------------------|-----|-----|-------|
| Program Cycle Time | per page including auto-erase |     | 6   | ms    |
|                    | per page without auto-erase   |     | 3   | ms    |
| Full Chip Erase    |                               | 15  |     | ms    |

## 39.8.6 JTAG/ICE Timings

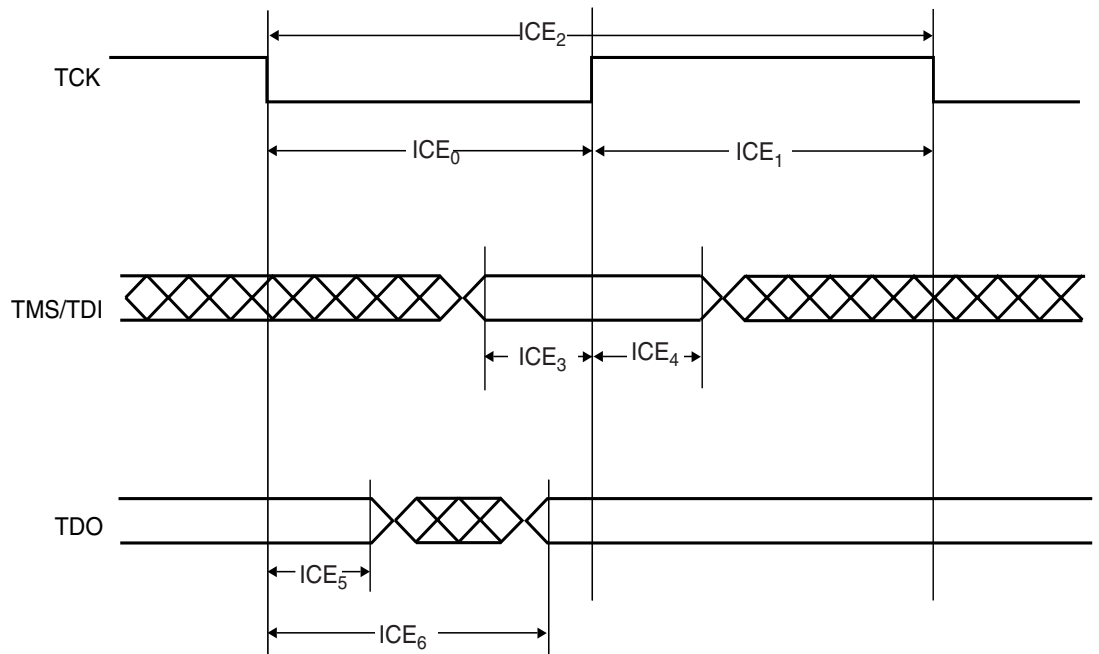
### 39.8.6.1 ICE Interface Signals

**Table 39-25.** ICE Interface Timing Specification

| Symbol           | Parameter                       | Conditions | Min | Max | Units |
|------------------|---------------------------------|------------|-----|-----|-------|
| ICE <sub>0</sub> | TCK Low Half-period             | (1)        | 51  |     | ns    |
| ICE <sub>1</sub> | TCK High Half-period            | (1)        | 51  |     | ns    |
| ICE <sub>2</sub> | TCK Period                      | (1)        | 102 |     | ns    |
| ICE <sub>3</sub> | TDI, TMS, Setup before TCK High | (1)        | 0   |     | ns    |
| ICE <sub>4</sub> | TDI, TMS, Hold after TCK High   | (1)        | 3   |     | ns    |
| ICE <sub>5</sub> | TDO Hold Time                   | (1)        | 13  |     | ns    |
| ICE <sub>6</sub> | TCK Low to TDO Valid            | (1)        |     | 20  | ns    |

Note: 1. V<sub>VDDIO</sub> from 3.0V to 3.6V, maximum external capacitor = 40pF

**Figure 39-8.** ICE Interface Signals



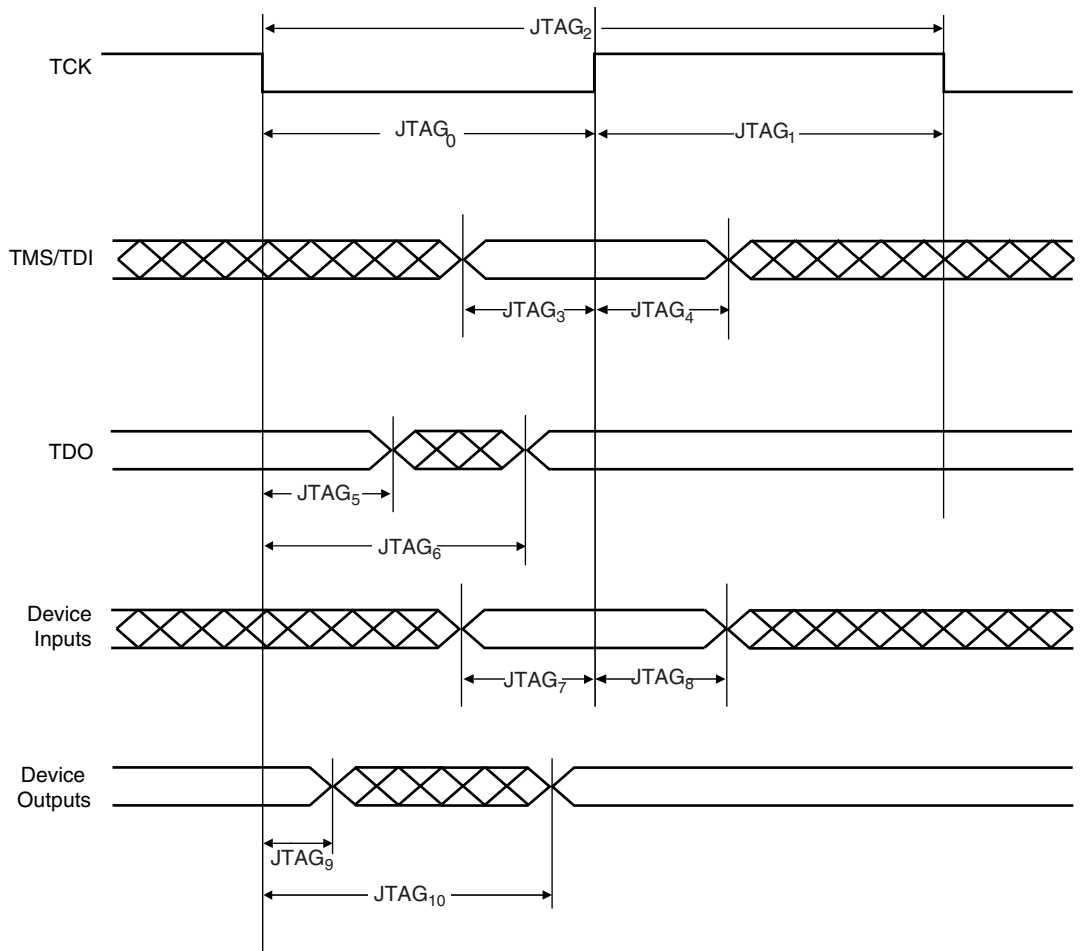
### 39.8.6.2 JTAG Interface Signals

**Table 39-26.** JTAG Interface Timing specification

| Symbol             | Parameter                      | Conditions | Min | Max | Units |
|--------------------|--------------------------------|------------|-----|-----|-------|
| JTAG <sub>0</sub>  | TCK Low Half-period            | (1)        | 6.5 |     | ns    |
| JTAG <sub>1</sub>  | TCK High Half-period           | (1)        | 5.5 |     | ns    |
| JTAG <sub>2</sub>  | TCK Period                     | (1)        | 12  |     | ns    |
| JTAG <sub>3</sub>  | TDI, TMS Setup before TCK High | (1)        | 2   |     | ns    |
| JTAG <sub>4</sub>  | TDI, TMS Hold after TCK High   | (1)        | 3   |     | ns    |
| JTAG <sub>5</sub>  | TDO Hold Time                  | (1)        | 4   |     | ns    |
| JTAG <sub>6</sub>  | TCK Low to TDO Valid           | (1)        |     | 16  | ns    |
| JTAG <sub>7</sub>  | Device Inputs Setup Time       | (1)        | 0   |     | ns    |
| JTAG <sub>8</sub>  | Device Inputs Hold Time        | (1)        | 3   |     | ns    |
| JTAG <sub>9</sub>  | Device Outputs Hold Time       | (1)        | 6   |     | ns    |
| JTAG <sub>10</sub> | TCK to Device Outputs Valid    | (1)        |     | 18  | ns    |

Note: 1.  $V_{DDIO}$  from 3.0V to 3.6V, maximum external capacitor = 40pF

**Figure 39-9.** JTAG Interface Signals



## 40. AT91SAM7X256/128 Mechanical Characteristics

### 40.1 Thermal Considerations

#### 40.1.1 Thermal Data

Table 40-1 summarizes the thermal resistance data depending on the package.

**Table 40-1.** Thermal Resistance Data

| Symbol        | Parameter                              | Condition | Package | Typ  | Unit |
|---------------|--|-----------|---------|------|------|
| $\theta_{JA}$ | Junction-to-ambient thermal resistance | Still Air | LQFP100 | 38.3 | °C/W |
| $\theta_{JC}$ | Junction-to-case thermal resistance    |           | LQFP100 | 8.7  |      |

#### 40.1.2 Junction Temperature

The average chip-junction temperature,  $T_J$ , in °C can be obtained from the following:

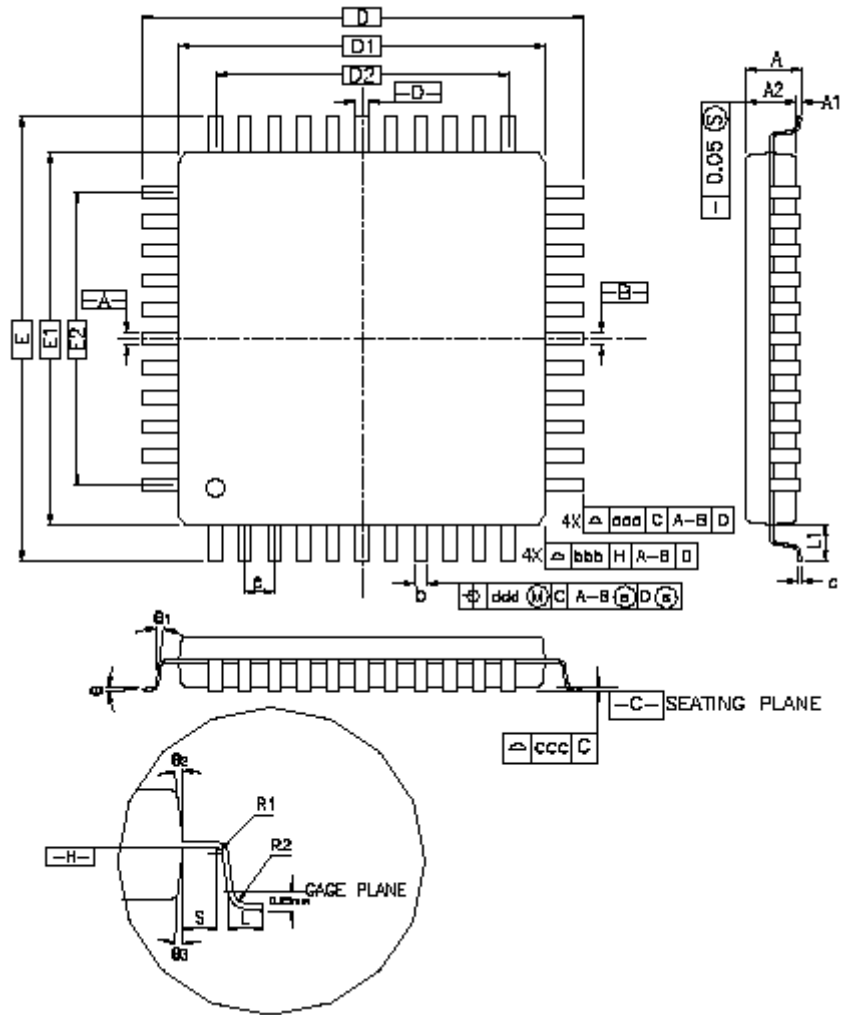
1.  $T_J = T_A + (P_D \times \theta_{JA})$
2.  $T_J = T_A + (P_D \times (\theta_{HEATSINK} + \theta_{JC}))$

where:

- $\theta_{JA}$  = package thermal resistance, Junction-to-ambient (°C/W), provided in [Table 40-1 on page 615](#).
- $\theta_{JC}$  = package thermal resistance, Junction-to-case thermal resistance (°C/W), provided in [Table 40-1 on page 615](#).
- $\theta_{HEAT\ SINK}$  = cooling device thermal resistance (°C/W), provided in the device datasheet.
- $P_D$  = device power consumption (W) estimated from data provided in the section [Section 39.3 "Power Consumption" on page 600](#).
- $T_A$  = ambient temperature (°C).

## 40.2 Package Drawings

Figure 40-1. LQFP Package Drawing





**Table 40-2.** 100-lead LQFP Package Dimensions

| Symbol                          | Millimeter |      |      | Inch      |       |       |
|---------------------------------|------------|------|------|-----------|-------|-------|
|                                 | Min        | Nom  | Max  | Min       | Nom   | Max   |
| A                               |            |      | 1.60 |           |       | 0.63  |
| A1                              | 0.05       |      | 0.15 | 0.002     |       | 0.006 |
| A2                              | 1.35       | 1.40 | 1.45 | 0.053     | 0.055 | 0.057 |
| D                               | 16.00 BSC  |      |      | 0.630 BSC |       |       |
| D1                              | 14.00 BSC  |      |      | 0.551 BSC |       |       |
| E                               | 16.00 BSC  |      |      | 0.630 BSC |       |       |
| E1                              | 14.00 BSC  |      |      | 0.551 BSC |       |       |
| R2                              | 0.08       |      | 0.20 | 0.003     |       | 0.008 |
| R1                              | 0.08       |      |      | 0.003     |       |       |
| Q                               | 0°         | 3.5° | 7°   | 0°        | 3.5°  | 7°    |
| θ1                              | 0°         |      |      | 0°        |       |       |
| θ2                              | 11°        | 12°  | 13°  | 11°       | 12°   | 13°   |
| θ3                              | 11°        | 12°  | 13°  | 11°       | 12°   | 13°   |
| c                               | 0.09       |      | 0.20 | 0.004     |       | 0.008 |
| L                               | 0.45       | 0.60 | 0.75 | 0.018     | 0.024 | 0.030 |
| L1                              | 1.00 REF   |      |      | 0.039 REF |       |       |
| S                               | 0.20       |      |      | 0.008     |       |       |
| b                               | 0.17       | 0.20 | 0.27 | 0.007     | 0.008 | 0.011 |
| e                               | 0.50 BSC   |      |      | 0.020 BSC |       |       |
| D2                              | 12.00      |      |      | 0.472     |       |       |
| E2                              | 12.00      |      |      | 0.472     |       |       |
| Tolerances of Form and Position |            |      |      |           |       |       |
| aaa                             | 0.20       |      |      | 0.008     |       |       |
| bbb                             | 0.20       |      |      | 0.008     |       |       |
| ccc                             | 0.08       |      |      | 0.003     |       |       |
| ddd                             | 0.08       |      |      | 0.003     |       |       |

**Table 40-3.** Device and LQFP Package Maximum Weight

|                  |     |    |
|------------------|-----|----|
| AT91SAM7X256/128 | 800 | mg |
|------------------|-----|----|

**Table 40-4.** Package Reference

|                         |        |
|-------------------------|--------|
| JEDEC Drawing Reference | MS-026 |
| JESD97 Classification   | e2     |

**Table 40-5.** LQFP Package Characteristics

|                            |   |
|----------------------------|---|
| Moisture Sensitivity Level | 3 |
|----------------------------|---|

This package respects the recommendations of the NEMI User Group.

### 40.3 Soldering Profile

Table 40-6 gives the recommended soldering profile from J-STD-020C.

**Table 40-6.** Soldering Profile

| Profile Feature                             | Green Package       |
|---|---------------------|
| Average Ramp-up Rate (217°C to Peak)        | 3° C/sec. max.      |
| Preheat Temperature 175°C ±25°C             | 180 sec. max.       |
| Temperature Maintained Above 217°C          | 60 sec. to 150 sec. |
| Time within 5° C of Actual Peak Temperature | 20 sec. to 40 sec.  |
| Peak Temperature Range                      | 260° C              |
| Ramp-down Rate                              | 6° C/sec. max.      |
| Time 25° C to Peak Temperature              | 8 min. max.         |

Note: The package is certified to be backward compatible with Pb/Sn soldering profile.

A maximum of three reflow passes is allowed per component.

## 41. AT91SAM7X256/128 Ordering Information

Table 41-1. Ordering Information

| Ordering Code   | Package | Package Type | Temperature Operating Range     |
|-----------------|---------|--------------|---------------------------------|
| AT91SAM7X256-AU | LQFP100 | Green        | Industrial<br>(-40° C to 85° C) |
| AT91SAM7X128-AU | LQFP100 | Green        | Industrial<br>(-40° C to 85° C) |



## 42. AT91SAM7X256/128 Errata

These errata refer to:

AT91SAM7X256 devices packaged in 100-lead LQFP with the marking AT91SAM7X256-AU and the product number marked in the bottom left-hand corner of the package being A.

AT91SAM7X128 devices packaged in 100-lead LQFP with the marking AT91SAM7X128-AU and the product number marked in the bottom left-hand corner of the package being A.

### 42.1 Ethernet MAC (EMAC)

#### 42.1.1 RMII Mode

RMII mode is not functional.

##### Problem Fix/Workaround

None

### 42.2 Peripheral Input/Output (PIO)

#### 42.2.1 Leakage on PB27 - PB30

When PB27, PB28, PB29 or PB30 (the I/O lines multiplexed with the analog inputs) are set as digital inputs with pull-up disabled, the leakage can be 5  $\mu\text{A}$  in worst case and 90 nA in typical case per I/O when the I/O is set externally at low level.

##### Problem Fix/Workaround

Set the I/O to VDDIO by internal or external pull-up.

#### 42.2.2 Electrical Characteristics on NRST, PA0-PA30 and PB0-PB26

When NRST or PA0 - PA30 or PB0 - PB26 are set as digital inputs with pull-up enabled, the voltage of the I/O stabilizes at VPull-up.

##### Vpull-up

| VPull-up Min   | VPull-up Max   |
|----------------|----------------|
| VDDIO - 0.65 V | VDDIO - 0.45 V |

This condition causes a leakage through VDDIO. This leakage is 45  $\mu\text{A}$  per pad in worst case at 3.3 V.

##### I Leakage

| Parameter         | Typ               | Max              |
|-------------------|-------------------|------------------|
| I Leakage at 3,3V | 2.5 $\mu\text{A}$ | 45 $\mu\text{A}$ |

##### Problem Fix/Workaround

It is recommended to use an external pull-up if needed.

### 42.2.3 Drive Low NRST, PA0-PA30 and PB0-PB26

When NRST or PA0 - PA30 or PB0 - PB26 are set as digital inputs with pull-up enabled, driving the I/O with an output impedance higher than 500 ohms may not drive the I/O to a logical zero.

#### **Problem Fix/Workaround**

Output impedance must be lower than 500 ohms.

## 42.3 Pulse Width Modulation Controller (PWM)

### 42.3.1 PWM: Update when PWM\_CCNTx = 0 or 1

If the Channel Counter Register value is 0 or 1, the Channel Period Register or Channel Duty Cycle Register is directly modified when writing the Channel Update Register.

#### **Problem Fix/Workaround**

Check the Channel Counter Register before writing the update register.

### 42.3.2 PWM: Update when PWM\_CPRDx = 0

When Channel Period Register equals 0, the period update is not operational.

#### **Problem Fix/Workaround**

Do not write 0 in the period register.

### 42.3.3 PWM: Counter Start Value

In left aligned mode, the first start value of the counter is 0. For the other periods, the counter starts at 1.

#### **Problem Fix/Workaround**

None.

### 42.3.4 PWM: Behavior of CHIDx Status Bits in the PWM\_SR Register

Erratic behavior of the CHIDx status bit in the PWM\_SR Register. When a channel is disabled by writing in the PWM\_DIS Register just after enabling it (before completion of a Clock Period of the clock selected for the channel), the PWM line is internally disabled but the CHIDx status bit in the PWM\_SR stays at 1.

#### **Problem Fix/Workaround**

Do not disable a channel before completion of one period of the selected clock.

## 42.4 Serial Peripheral Interface (SPI)

### 42.4.1 SPI: Bad tx\_ready Behavior when CSAAT = 1 and SCBR = 1

If the SPI2 is programmed with CSAAT = 1, SCBR(baudrate) = 1 and two transfers are performed consecutively on the same slave with an IDLE state between them, the tx\_ready signal does not rise after the second data has been transferred in the shifter. This can imply for example, that the second data is sent twice.

#### **Problem Fix/Workaround**

Do not use the combination CSAAT = 1 and SCBR = 1.

## 42.4.2 SPI: LASTXFER (Last Transfer) Behavior

In FIXED Mode, with CSAAT bit set, and in “PDC mode” the Chip Select can rise depending on the data written in the SPI\_TDR when the TX\_EMPTY flag is set. If for example, the PDC writes a “1” in the bit 24 (LASTXFER bit) of the SPI\_TDR, the chip select will rise as soon as the TXEMPTY flag is set.

### Problem Fix/Workaround

Use the CS in PIO mode when PDC mode is required and CS has to be maintained between transfers.

## 42.5 Synchronous Serial Controller (SSC)

### 42.5.1 SSC: Periodic Transmission Limitations in Master Mode

If the Least Significant Bit is sent first (MSBF = 0), the first TAG during the frame synchro is not sent.

### Problem Fix/Workaround

None.

### 42.5.2 SSC: Transmitter Limitations in Slave Mode

If TK is programmed as output and TF is programmed as input, it is impossible to emit data when the start of edge (rising or falling) of synchro has a Start Delay equal to zero.

### Problem Fix/Workaround

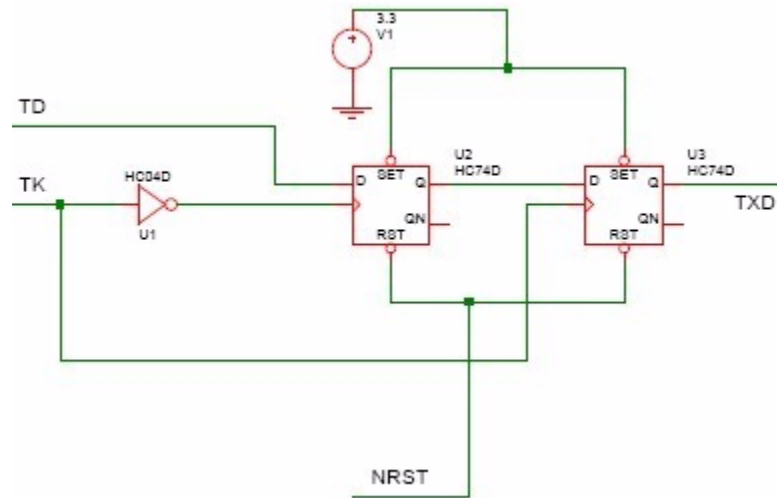
None.

### 42.5.3 SSC: Transmitter Limitations in Slave Mode

If TK is programmed as an input and TF is programmed as an output and requested to be set to low/high during data emission, the Frame Synchro signal is generated one bit clock period after the data start and one data bit is lost. This problem does not exist when generating a periodic synchro.

### Problem Fix/Workaround

The data need to be delayed for one bit clock period with an external assembly. In the following schematic, TD, TK and NRST are AT91SAM7X signals, TXD is the delayed data to connect to the device.



## 42.6 Two-wire Interface (TWI)

### 42.6.1 TWI: Behavior of OVRE Bit

In Master Mode during a read access, if the sequence described as follows occurs;

1. A byte is received but not read through the TWI\_RHR.
2. A stop command is performed through the TWI\_CR to end the read access.
3. The last data byte is received.

The Overrun Flag (OVRE) does not rise, whereas a data byte has been lost.

#### Problem Fix/Workaround

None.

### 42.6.2 TWI: Clock Divider

The value of  $CLDIV \times 2^{CKDIV}$  must be less than or equal to 8191, the value of  $CHDIV \times 2^{CKDIV}$  must be less than or equal to 8191.

#### Problem Fix/Workaround

None.

### 42.6.3 TWI: Disabling Does not Operate Correctly

Any transfer in progress is immediately frozen if the Control Register (TWI\_CR) is written with the bit MSDIS at 1. Furthermore, the status bits TXCOMP and TXRDY in the Status Register (TWI\_SR) are not reset.

#### Problem Fix/Workaround

The user must wait for the end of transfer before disabling the TWI. In addition, the interrupts must be disabled before disabling the TWI.



## 42.6.4 TWI: NACK Status Bit Lost

During a master frame, if TWI\_SR is read between the Non Acknowledge condition detection and the TXCOMP bit rising in the TWI\_SR, the NACK bit is not set.

### Problem Fix/Workaround

The user must wait for the TXCOMP status bit by interrupt and must not read the TWI\_SR as long as transmission is not completed.

TXCOMP and NACK fields are set simultaneously and the NACK field is reset after the read of the TWI\_SR.

## 42.6.5 TWI: Possible Receive Holding Register Corruption

When loading the TWI\_RHR, the transfer direction is ignored. The last data byte received in the TWI\_RHR is corrupted at the end of the first subsequent transmit data byte. Neither RXRDY nor OVERRUN status bits are set if this occurs.

### Problem Fix/Workaround

The user must be sure that received data is read before transmitting any new data.

## 42.7 Universal Synchronous Asynchronous Receiver Transmitter (USART)

### 42.7.1 USART: CTS in Hardware Handshaking

When Hardware Handshaking is used and if CTS goes low close to the end of the starting bit, a character can be lost.

### Problem Fix/Workaround

CTS must not go low during a time slot occurring between 2 Master Clock periods before the starting bit and 16 Master Clock periods after the rising edge of the starting bit.



## 43. Revision History

**Table 43-1.** Revision History

| Version      | Comments  | Change Request Ref. |
|--------------|---|---------------------|
| <b>6120A</b> | <b>10-Oct-05</b>  | First issue         |
| <b>6120B</b> | <b>17-Oct-05</b>  |                     |
|              | Updated product functionalities in "Features" on page 1, Figure 3-1 on page 4, Section 10.6 "Debug Unit" on page 25, and Figure 11-1 on page 27.  | 05-456              |
|              | Corrected PLL output range maximum value in Section 10.3 "Clock Generator" on page 23, Figure 19-3 in Section 19.3.2.1 "Internal Memory Mapping" on page 91 and Table 39-11, "Phase Lock Loop Characteristics," on page 603.  | 05-491              |
|              | Updated information in Section 6.1 "Power Supplies" on page 9.  |                     |
|              | Updated field Part Number in Section 13.5.5 "ID Code Register" on page 53.  |                     |
|              | Updated Chip ID in Section 10.6 "Debug Unit" on page 25 and in Section 13.5.3 "Debug Unit" on page 46.  | 05-472              |
|              | Removed references to PGMEN2 in Section 21. "Fast Flash Programming Interface (FFPI)" on page 115.  | 05-464              |
|              | Updated "ARCH: Architecture Identifier" on page 223 in "Debug Unit (DBGU)" with new values for AT91SAM7XCxx series and AT91SAM7Xxx series.  | 05-459              |
|              | Updated CAN bit timing configuration in Section 37.6.4.1 "CAN Bit Timing Configuration" on page 500 and in Section 37.8.6 "CAN Baudrate Register" on page 531.  | 05-419              |
|              | Added Section 39.8.4 "EMAC Characteristics" on page 610.  | 05-469              |
|              | Updated Section 41. "AT91SAM7X256/128 Ordering Information" on page 619.  | 05-470              |
| <b>6120C</b> | <b>26-Oct-05</b>  |                     |
|              | Replaced Section 30. "Two-wire Interface (TWI)" on page 277 with TWI 6061B. TWI 6061C cancelled.  | 05-516              |
| <b>6120D</b> | <b>03-Feb-06</b>  |                     |
|              | <p>Section 42. "AT91SAM7X256/128 Errata"</p> <p>Device package/product number changed</p> <p>Section 42.1 "Ethernet MAC (EMAC)" RMI mode is not functional</p> <p>The sections listed below have been added to the Errata:</p> <p>Section 42.3 "Pulse Width Modulation Controller (PWM)"</p> <p>Section 42.4 "Serial Peripheral Interface (SPI)"</p> <p>Section 42.5 "Synchronous Serial Controller (SSC)"</p> <p>Section 42.6 "Two-wire Interface (TWI)"</p> <p>Section 42.7 "Universal Synchronous Asynchronous Receiver Transmitter (USART)"</p> | #1767               |



## Table of Contents

|          |   |           |
|----------|---|-----------|
| <b>1</b> | <b>Description .....</b>  | <b>3</b>  |
| <b>2</b> | <b>Configuration Summary of the AT91SAM7X256<br/>and AT91SAM7X128 .....</b> | <b>3</b>  |
| <b>3</b> | <b>AT91SAM7X256/128 Block Diagram .....</b>                                 | <b>4</b>  |
| <b>4</b> | <b>Signal Description .....</b>   | <b>5</b>  |
| <b>5</b> | <b>Package .....</b>  | <b>8</b>  |
|          | 5.1 100-lead LQFP Mechanical Overview .....                                 | 8         |
|          | 5.2 AT91SAM7X256/128 Pinout .....   | 8         |
| <b>6</b> | <b>Power Considerations .....</b>   | <b>9</b>  |
|          | 6.1 Power Supplies .....  | 9         |
|          | 6.2 Power Consumption .....   | 9         |
|          | 6.3 Voltage Regulator .....   | 9         |
|          | 6.4 Typical Powering Schematics .....                                       | 10        |
| <b>7</b> | <b>I/O Lines Considerations .....</b>                                       | <b>11</b> |
|          | 7.1 JTAG Port Pins .....  | 11        |
|          | 7.2 Test Pin .....  | 11        |
|          | 7.3 Reset Pin .....   | 11        |
|          | 7.4 ERASE Pin .....   | 11        |
|          | 7.5 PIO Controller Lines .....  | 11        |
|          | 7.6 I/O Lines Current Drawing .....   | 12        |
| <b>8</b> | <b>Processor and Architecture .....</b>                                     | <b>13</b> |
|          | 8.1 ARM7TDMI Processor .....  | 13        |
|          | 8.2 Debug and Test Features .....   | 13        |
|          | 8.3 Memory Controller .....   | 13        |
|          | 8.4 Peripheral DMA Controller .....   | 14        |
| <b>9</b> | <b>Memory .....</b>   | <b>15</b> |
|          | 9.1 AT91SAM7X256 .....  | 15        |
|          | 9.2 AT91SAM7X128 .....  | 15        |
|          | 9.3 Memory Mapping .....  | 16        |
|          | 9.4 Embedded Flash .....  | 17        |
|          | 9.5 Fast Flash Programming Interface .....                                  | 19        |
|          | 9.6 SAM-BA Boot Assistant .....   | 19        |



|           |                                      |           |
|-----------|--------------------------------------|-----------|
| <b>10</b> | <b>System Controller</b>             | <b>20</b> |
| 10.1      | System Controller Mapping            | 21        |
| 10.2      | Reset Controller                     | 22        |
| 10.3      | Clock Generator                      | 23        |
| 10.4      | Power Management Controller          | 24        |
| 10.5      | Advanced Interrupt Controller        | 24        |
| 10.6      | Debug Unit                           | 25        |
| 10.7      | Period Interval Timer                | 25        |
| 10.8      | Watchdog Timer                       | 25        |
| 10.9      | Real-time Timer                      | 25        |
| 10.10     | PIO Controllers                      | 26        |
| 10.11     | Voltage Regulator Controller         | 26        |
| <b>11</b> | <b>Peripherals</b>                   | <b>27</b> |
| 11.1      | Peripheral Mapping                   | 27        |
| 11.2      | Peripheral Multiplexing on PIO Lines | 28        |
| 11.3      | PIO Controller A Multiplexing        | 29        |
| 11.4      | PIO Controller B Multiplexing        | 30        |
| 11.5      | Peripheral Identifiers               | 31        |
| 11.6      | Ethernet MAC                         | 32        |
| 11.7      | Serial Peripheral Interface          | 32        |
| 11.8      | Two-wire Interface                   | 32        |
| 11.9      | USART                                | 33        |
| 11.10     | Serial Synchronous Controller        | 33        |
| 11.11     | Timer Counter                        | 33        |
| 11.12     | Pulse Width Modulation Controller    | 34        |
| 11.13     | USB Device Port                      | 34        |
| 11.14     | CAN Controller                       | 35        |
| 11.15     | Analog-to-Digital Converter          | 35        |
| <b>12</b> | <b>ARM7TDMI Processor Overview</b>   | <b>37</b> |
| 12.1      | Overview                             | 37        |
| 12.2      | ARM7TDMI Processor                   | 38        |
| <b>13</b> | <b>Debug and Test Features</b>       | <b>43</b> |
| 13.1      | Description                          | 43        |
| 13.2      | Block Diagram                        | 43        |
| 13.3      | Application Examples                 | 44        |

|           |  |           |
|-----------|--|-----------|
| 13.4      | Debug and Test Pin Description .....                           | 45        |
| 13.5      | Functional Description .....                                   | 46        |
| <b>14</b> | <b>Reset Controller (RSTC) .....</b>                           | <b>55</b> |
| 14.1      | Overview .....   | 55        |
| 14.2      | Block Diagram .....  | 55        |
| 14.3      | Functional Description .....                                   | 56        |
| 14.4      | Reset Controller (RSTC) User Interface .....                   | 65        |
| <b>15</b> | <b>Real-time Timer (RTT) .....</b>                             | <b>69</b> |
| 15.1      | Overview .....   | 69        |
| 15.2      | Block Diagram .....  | 69        |
| 15.3      | Functional Description .....                                   | 69        |
| 15.4      | Real-time Timer (RTT) User Interface .....                     | 71        |
| <b>16</b> | <b>Periodic Interval Timer (PIT) .....</b>                     | <b>75</b> |
| 16.1      | Overview .....   | 75        |
| 16.2      | Block Diagram .....  | 75        |
| 16.3      | Functional Description .....                                   | 76        |
| 16.4      | Periodic Interval Timer (PIT) User Interface .....             | 78        |
| <b>17</b> | <b>Watchdog Timer (WDT) .....</b>                              | <b>81</b> |
| 17.1      | Overview .....   | 81        |
| 17.2      | Block Diagram .....  | 81        |
| 17.3      | Functional Description .....                                   | 82        |
| 17.4      | Watchdog Timer (WDT) User Interface .....                      | 84        |
| <b>18</b> | <b>Voltage Regulator Mode Controller (VREG) .....</b>          | <b>87</b> |
| 18.1      | Overview .....   | 87        |
| 18.2      | Voltage Regulator Power Controller (VREG) User Interface ..... | 88        |
| <b>19</b> | <b>Memory Controller (MC) .....</b>                            | <b>89</b> |
| 19.1      | Overview .....   | 89        |
| 19.2      | Block Diagram .....  | 89        |
| 19.3      | Functional Description .....                                   | 90        |
| 19.4      | Memory Controller (MC) User Interface .....                    | 94        |
| <b>20</b> | <b>Embedded Flash Controller (EFC) .....</b>                   | <b>99</b> |
| 20.1      | Functional Description .....                                   | 99        |
| 20.2      | Embedded Flash Controller (EFC) User Interface .....           | 109       |



|           |   |            |
|-----------|---|------------|
| <b>21</b> | <b><i>Fast Flash Programming Interface (FFPI)</i></b> ..... | <b>115</b> |
| 21.1      | Overview .....  | 115        |
| 21.2      | Parallel Fast Flash Programming .....                       | 115        |
| 21.3      | Serial Fast Flash Programming .....                         | 125        |
| <b>22</b> | <b><i>AT91SAM Boot Program</i></b> .....                    | <b>133</b> |
| 22.1      | Description .....   | 133        |
| 22.2      | Flow Diagram .....  | 133        |
| 22.3      | Device Initialization .....                                 | 133        |
| 22.4      | SAM-BA Boot .....   | 133        |
| 22.5      | Hardware and Software Constraints .....                     | 137        |
| <b>23</b> | <b><i>Peripheral DMA Controller (PDC)</i></b> .....         | <b>139</b> |
| 23.1      | Overview .....  | 139        |
| 23.2      | Block Diagram .....   | 139        |
| 23.3      | Functional Description .....                                | 140        |
| 23.4      | Peripheral DMA Controller (PDC) User Interface .....        | 142        |
| <b>24</b> | <b><i>Advanced Interrupt Controller (AIC)</i></b> .....     | <b>149</b> |
| 24.1      | Overview .....  | 149        |
| 24.2      | Block Diagram .....   | 149        |
| 24.3      | Application Block Diagram .....                             | 149        |
| 24.4      | AIC Detailed Block Diagram .....                            | 150        |
| 24.5      | I/O Line Description .....                                  | 150        |
| 24.6      | Product Dependencies .....                                  | 150        |
| 24.7      | Functional Description .....                                | 152        |
| 24.8      | Advanced Interrupt Controller (AIC) User Interface .....    | 162        |
| <b>25</b> | <b><i>Clock Generator</i></b> .....                         | <b>173</b> |
| 25.1      | Description .....   | 173        |
| 25.2      | Slow Clock RC Oscillator .....                              | 173        |
| 25.3      | Main Oscillator .....                                       | 173        |
| 25.4      | Divider and PLL Block .....                                 | 175        |
| <b>26</b> | <b><i>Power Management Controller (PMC)</i></b> .....       | <b>177</b> |
| 26.1      | Description .....   | 177        |
| 26.2      | Master Clock Controller .....                               | 177        |
| 26.3      | Processor Clock Controller .....                            | 178        |
| 26.4      | USB Clock Controller .....                                  | 178        |



|           |   |            |
|-----------|---|------------|
| 26.5      | Peripheral Clock Controller .....                           | 178        |
| 26.6      | Programmable Clock Output Controller .....                  | 179        |
| 26.7      | Programming Sequence .....                                  | 179        |
| 26.8      | Clock Switching Details .....                               | 183        |
| 26.9      | Power Management Controller (PMC) User Interface .....      | 186        |
| <b>27</b> | <b><i>Debug Unit (DBGU) .....</i></b>                       | <b>201</b> |
| 27.1      | Overview .....  | 201        |
| 27.2      | Block Diagram .....   | 202        |
| 27.3      | Product Dependencies .....                                  | 203        |
| 27.4      | UART Operations .....                                       | 204        |
| 27.5      | Debug Unit User Interface .....                             | 211        |
| <b>28</b> | <b><i>Parallel Input/Output Controller (PIO) .....</i></b>  | <b>225</b> |
| 28.1      | Overview .....  | 225        |
| 28.2      | Block Diagram .....   | 226        |
| 28.3      | Application Block Diagram .....                             | 226        |
| 28.4      | Product Dependencies .....                                  | 227        |
| 28.5      | Functional Description .....                                | 228        |
| 28.6      | I/O Lines Programming Example .....                         | 233        |
| 28.7      | Parallel Input/Output Controller (PIO) User Interface ..... | 234        |
| <b>29</b> | <b><i>Serial Peripheral Interface (SPI) .....</i></b>       | <b>251</b> |
| 29.1      | Overview .....  | 251        |
| 29.2      | Block Diagram .....   | 252        |
| 29.3      | Application Block Diagram .....                             | 252        |
| 29.4      | Signal Description .....                                    | 253        |
| 29.5      | Product Dependencies .....                                  | 253        |
| 29.6      | Functional Description .....                                | 254        |
| 29.7      | Serial Peripheral Interface (SPI) User Interface .....      | 263        |
| <b>30</b> | <b><i>Two-wire Interface (TWI) .....</i></b>                | <b>277</b> |
| 30.1      | Overview .....  | 277        |
| 30.2      | Block Diagram .....   | 277        |
| 30.3      | Application Block Diagram .....                             | 277        |
| 30.4      | Product Dependencies .....                                  | 278        |
| 30.5      | Functional Description .....                                | 279        |
| 30.6      | TWI User Interface .....                                    | 284        |



|           |   |            |
|-----------|---|------------|
| <b>31</b> | <b><i>Universal Synchronous Asynchronous Receiver Transmitter (USART)</i></b> ..... | <b>295</b> |
| 31.1      | Overview .....  | 295        |
| 31.2      | Block Diagram .....   | 296        |
| 31.3      | Application Block Diagram .....   | 297        |
| 31.4      | I/O Lines Description .....   | 297        |
| 31.5      | Product Dependencies .....  | 298        |
| 31.6      | Functional Description .....  | 299        |
| 31.7      | USART User Interface .....  | 330        |
| <b>32</b> | <b><i>Synchronous Serial Controller (SSC)</i></b> .....                             | <b>349</b> |
| 32.1      | Overview .....  | 349        |
| 32.2      | Block Diagram .....   | 350        |
| 32.3      | Application Block Diagram .....   | 350        |
| 32.4      | Pin Name List .....   | 351        |
| 32.5      | Product Dependencies .....  | 351        |
| 32.6      | Functional Description .....  | 351        |
| 32.7      | SSC Application Examples .....  | 362        |
| 32.8      | Synchronous Serial Controller (SSC) User Interface .....                            | 364        |
| <b>33</b> | <b><i>Timer/Counter (TC)</i></b> .....  | <b>387</b> |
| 33.1      | Overview .....  | 387        |
| 33.2      | Block Diagram .....   | 387        |
| 33.3      | Pin Name List .....   | 388        |
| 33.4      | Product Dependencies .....  | 388        |
| 33.5      | Functional Description .....  | 389        |
| 33.6      | Timer/Counter (TC) User Interface .....   | 402        |
| <b>34</b> | <b><i>Pulse Width Modulation Controller (PWM)</i></b> .....                         | <b>421</b> |
| 34.1      | Overview .....  | 421        |
| 34.2      | Block Diagram .....   | 421        |
| 34.3      | I/O Lines Description .....   | 422        |
| 34.4      | Product Dependencies .....  | 422        |
| 34.5      | Functional Description .....  | 423        |
| 34.6      | Pulse Width Modulation Controller (PWM) User Interface .....                        | 431        |
| <b>35</b> | <b><i>USB Device Port (UDP)</i></b> .....   | <b>441</b> |
| 35.1      | Description .....   | 441        |
| 35.2      | Block Diagram .....   | 442        |

|           |   |            |
|-----------|---|------------|
| 35.3      | Product Dependencies .....                                      | 442        |
| 35.4      | Typical Connection .....  | 444        |
| 35.5      | Functional Description .....                                    | 445        |
| 35.6      | USB Device Port (UDP) User Interface .....                      | 459        |
| <b>36</b> | <b><i>Analog-to-digital Converter (ADC)</i></b> .....           | <b>477</b> |
| 36.1      | Overview .....  | 477        |
| 36.2      | Block Diagram .....   | 477        |
| 36.3      | Signal Description .....  | 478        |
| 36.4      | Product Dependencies .....                                      | 478        |
| 36.5      | Functional Description .....                                    | 479        |
| 36.6      | Analog-to-digital Converter (ADC) User Interface .....          | 483        |
| <b>37</b> | <b><i>Controller Area Network (CAN)</i></b> .....               | <b>493</b> |
| 37.1      | Description .....   | 493        |
| 37.2      | Block Diagram .....   | 494        |
| 37.3      | Application Block Diagram .....                                 | 495        |
| 37.4      | I/O Lines Description .....                                     | 495        |
| 37.5      | Product Dependencies .....                                      | 495        |
| 37.6      | CAN Controller Features .....                                   | 496        |
| 37.7      | Functional Description .....                                    | 507        |
| 37.8      | Controller Area Network (CAN) User Interface .....              | 520        |
| <b>38</b> | <b><i>Ethernet MAC 10/100 (EMAC)</i></b> .....                  | <b>549</b> |
| 38.1      | Overview .....  | 549        |
| 38.2      | Block Diagram .....   | 549        |
| 38.3      | Functional Description .....                                    | 550        |
| 38.4      | Programming Interface .....                                     | 561        |
| 38.5      | Ethernet MAC 10/100 (EMAC) User Interface .....                 | 564        |
| <b>39</b> | <b><i>AT91SAM7X256/128 Electrical Characteristics</i></b> ..... | <b>597</b> |
| 39.1      | Absolute Maximum Ratings .....                                  | 597        |
| 39.2      | DC Characteristics .....  | 598        |
| 39.3      | Power Consumption .....   | 600        |
| 39.4      | Crystal Oscillators Characteristics .....                       | 602        |
| 39.5      | PLL Characteristics .....                                       | 603        |
| 39.6      | USB Transceiver Characteristics .....                           | 604        |
| 39.7      | ADC Characteristics .....                                       | 606        |
| 39.8      | AC Characteristics .....  | 607        |



|           |   |            |
|-----------|---|------------|
| <b>40</b> | <b><i>AT91SAM7X256/128 Mechanical Characteristics</i></b> .....       | <b>615</b> |
| 40.1      | Thermal Considerations .....  | 615        |
| 40.2      | Package Drawings .....  | 616        |
| 40.3      | Soldering Profile .....   | 618        |
| <b>41</b> | <b><i>AT91SAM7X256/128 Ordering Information</i></b> .....             | <b>619</b> |
| <b>42</b> | <b><i>AT91SAM7X256/128 Errata</i></b> .....                           | <b>621</b> |
| 42.1      | Ethernet MAC (EMAC) .....   | 621        |
| 42.2      | Peripheral Input/Output (PIO) .....                                   | 621        |
| 42.3      | Pulse Width Modulation Controller (PWM) .....                         | 622        |
| 42.4      | Serial Peripheral Interface (SPI) .....                               | 622        |
| 42.5      | Synchronous Serial Controller (SSC) .....                             | 623        |
| 42.6      | Two-wire Interface (TWI) .....  | 624        |
| 42.7      | Universal Synchronous Asynchronous Receiver Transmitter (USART) ..... | 625        |
| <b>43</b> | <b><i>Revision History</i></b> .....                                  | <b>627</b> |



## Atmel Corporation

2325 Orchard Parkway  
San Jose, CA 95131, USA  
Tel: 1(408) 441-0311  
Fax: 1(408) 487-2600

## Regional Headquarters

### Europe

Atmel Sarl  
Route des Arsenalux 41  
Case Postale 80  
CH-1705 Fribourg  
Switzerland  
Tel: (41) 26-426-5555  
Fax: (41) 26-426-5500

### Asia

Room 1219  
Chinachem Golden Plaza  
77 Mody Road Tsimshatsui  
East Kowloon  
Hong Kong  
Tel: (852) 2721-9778  
Fax: (852) 2722-1369

### Japan

9F, Tonetsu Shinkawa Bldg.  
1-24-8 Shinkawa  
Chuo-ku, Tokyo 104-0033  
Japan  
Tel: (81) 3-3523-3551  
Fax: (81) 3-3523-7581

## Atmel Operations

### Memory

2325 Orchard Parkway  
San Jose, CA 95131, USA  
Tel: 1(408) 441-0311  
Fax: 1(408) 436-4314

### Microcontrollers

2325 Orchard Parkway  
San Jose, CA 95131, USA  
Tel: 1(408) 441-0311  
Fax: 1(408) 436-4314

La Chantrerie  
BP 70602  
44306 Nantes Cedex 3, France  
Tel: (33) 2-40-18-18-18  
Fax: (33) 2-40-18-19-60

### ASIC/ASSP/Smart Cards

Zone Industrielle  
13106 Rousset Cedex, France  
Tel: (33) 4-42-53-60-00  
Fax: (33) 4-42-53-60-01

1150 East Cheyenne Mtn. Blvd.  
Colorado Springs, CO 80906, USA  
Tel: 1(719) 576-3300  
Fax: 1(719) 540-1759

Scottish Enterprise Technology Park  
Maxwell Building  
East Kilbride G75 0QR, Scotland  
Tel: (44) 1355-803-000  
Fax: (44) 1355-242-743

### RF/Automotive

Theresienstrasse 2  
Postfach 3535  
74025 Heilbronn, Germany  
Tel: (49) 71-31-67-0  
Fax: (49) 71-31-67-2340

1150 East Cheyenne Mtn. Blvd.  
Colorado Springs, CO 80906, USA  
Tel: 1(719) 576-3300  
Fax: 1(719) 540-1759

### Biometrics/Imaging/Hi-Rel MPU/ High Speed Converters/RF Datacom

Avenue de Rochepleine  
BP 123  
38521 Saint-Egreve Cedex, France  
Tel: (33) 4-76-58-30-00  
Fax: (33) 4-76-58-34-80



**Disclaimer:** The information in this document is provided in connection with Atmel products. No license, express or implied, by estoppel or otherwise, to any intellectual property right is granted by this document or in connection with the sale of Atmel products. **EXCEPT AS SET FORTH IN ATMEL'S TERMS AND CONDITIONS OF SALE LOCATED ON ATMEL'S WEB SITE, ATMEL ASSUMES NO LIABILITY WHATSOEVER AND DISCLAIMS ANY EXPRESS, IMPLIED OR STATUTORY WARRANTY RELATING TO ITS PRODUCTS INCLUDING, BUT NOT LIMITED TO, THE IMPLIED WARRANTY OF MERCHANTABILITY, FITNESS FOR A PARTICULAR PURPOSE, OR NON-INFRINGEMENT. IN NO EVENT SHALL ATMEL BE LIABLE FOR ANY DIRECT, INDIRECT, CONSEQUENTIAL, PUNITIVE, SPECIAL OR INCIDENTAL DAMAGES (INCLUDING, WITHOUT LIMITATION, DAMAGES FOR LOSS OF PROFITS, BUSINESS INTERRUPTION, OR LOSS OF INFORMATION) ARISING OUT OF THE USE OR INABILITY TO USE THIS DOCUMENT, EVEN IF ATMEL HAS BEEN ADVISED OF THE POSSIBILITY OF SUCH DAMAGES.** Atmel makes no representations or warranties with respect to the accuracy or completeness of the contents of this document and reserves the right to make changes to specifications and product descriptions at any time without notice. Atmel does not make any commitment to update the information contained herein. Unless specifically provided otherwise, Atmel products are not suitable for, and shall not be used in, automotive applications. Atmel's products are not intended, authorized, or warranted for use as components in applications intended to support or sustain life.

© Atmel Corporation 2006. **All rights reserved.** Atmel®, logo and combinations thereof, Everywhere You Are®, DataFlash® and others, are registered trademarks, SAM-BA™ and others are trademarks of Atmel Corporation or its subsidiaries. Windows® and others, are registered trademarks or trademarks of Microsoft Corporation. ARM®, the ARM Powered® logo and others, are registered trademarks or trademarks of ARM Limited. Other terms and product names may be the trademarks of others.

## Literature Requests

[www.atmel.com/literature](http://www.atmel.com/literature)



Printed on recycled paper.

6120D-ATARM-02-Feb-06