



SOT-23 Plastic-Encapsulate Transistors

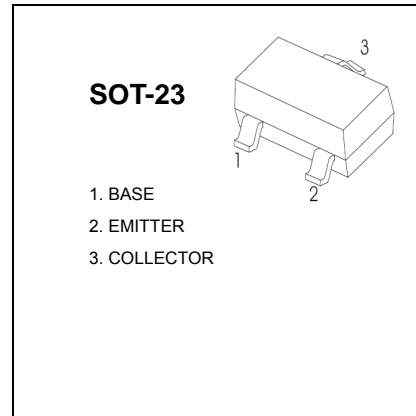
BF820/BF822 TRANSISTOR (NPN)

FEATURES

- Low current (max.50 mA)
- High voltage (max.300V)
- Telephony and professional communication equipment.

MARKING: BF820:1V, BF822: 1X

MAXIMUM RATINGS (T_a=25°C unless otherwise noted)

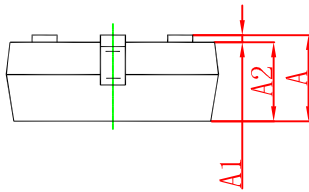
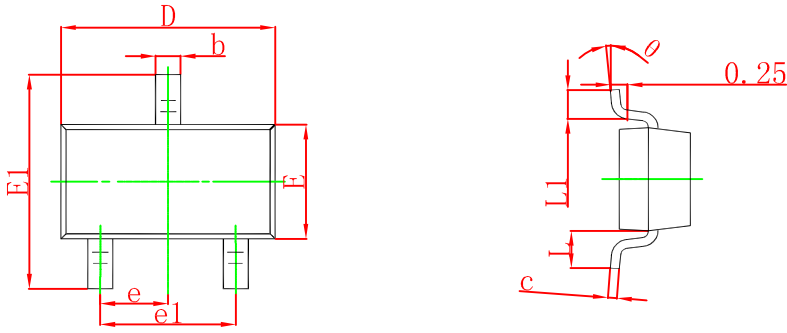


Symbol	Parameter	Value	Unit
V_{CB0}	Collector-Base Voltage	BF820	300
		BF822	250
V_{CEO}	Collector-Emitter Voltage	BF820	300
		BF822	250
V_{EBO}	Emitter-Base Voltage	5	V
I_C	Collector Current -Continuous	50	mA
P_C	Collector Power Dissipation	0.25	W
T_j	Junction Temperature	150	°C
T_{stg}	Storage Temperature	-55-150	°C

ELECTRICAL CHARACTERISTICS (T_a=25°C unless otherwise specified)

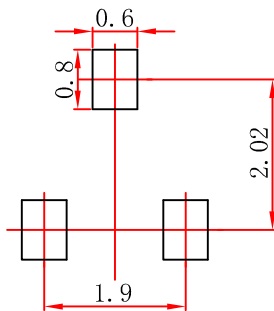
Parameter	Symbol	Test conditions	Min	Max	Unit
Collector-base breakdown voltage	V_{(BR)CBO}	I _C =100μA, I _E =0	BF820	300	V
			BF822	250	
Collector-emitter breakdown voltage	V_{(BR)CEO}	I _C =1mA, I _B =0	BF820	300	V
			BF822	250	
Emitter-base breakdown voltage	V_{(BR)EBO}	I _E = 100μA, I _C =0	5		V
Collector cut-off current	I_{CBO}	V _{CB} =200V, I _E =0		0.01	μA
Emitter cut-off current	I_{EBO}	V _{EB} = 5V, I _C =0		0.05	μA
DC current gain	h_{FE}	V _{CE} = 20V, I _C =25mA	50		
Collector-emitter saturation voltage	V_{CE(sat)}	I _C =30mA, I _B = 5mA		0.6	V
Transition frequency	f_T	V _{CE} =10V, I _C = 10mA, f=100MHz	60		MHz
Collector output capacitance	C_{ob}	V _{CB} =30V, I _E =0, f=1MHz		1.6	pF

SOT-23 Package Outline Dimensions



Symbol	Dimensions In Millimeters		Dimensions In Inches	
	Min	Max	Min	Max
A	0.900	1.150	0.035	0.045
A1	0.000	0.100	0.000	0.004
A2	0.900	1.050	0.035	0.041
b	0.300	0.500	0.012	0.020
c	0.080	0.150	0.003	0.006
D	2.800	3.000	0.110	0.118
E	1.200	1.400	0.047	0.055
E1	2.250	2.550	0.089	0.100
e	0.950 TYP		0.037 TYP	
e1	1.800	2.000	0.071	0.079
L	0.550 REF		0.022 REF	
L1	0.300	0.500	0.012	0.020
θ	0°	8°	0°	8°

SOT-23 Suggested Pad Layout



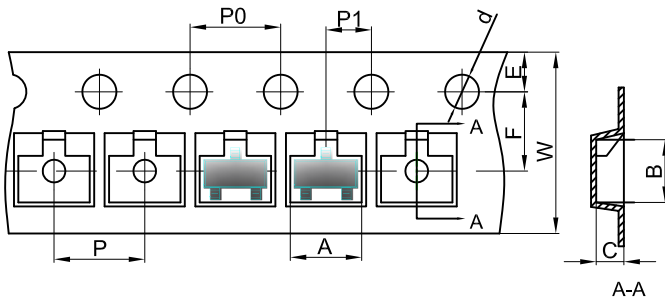
- Note:
1. Controlling dimension: in millimeters.
 2. General tolerance: $\pm 0.05\text{mm}$.
 3. The pad layout is for reference purposes only.

NOTICE

JCET reserve the right to make modifications, enhancements, improvements, corrections or other changes without further notice to any product herein. JCET does not assume any liability arising out of the application or use of any product described herein.

SOT-23 Tape and Reel

SOT-23 Embossed Carrier Tape



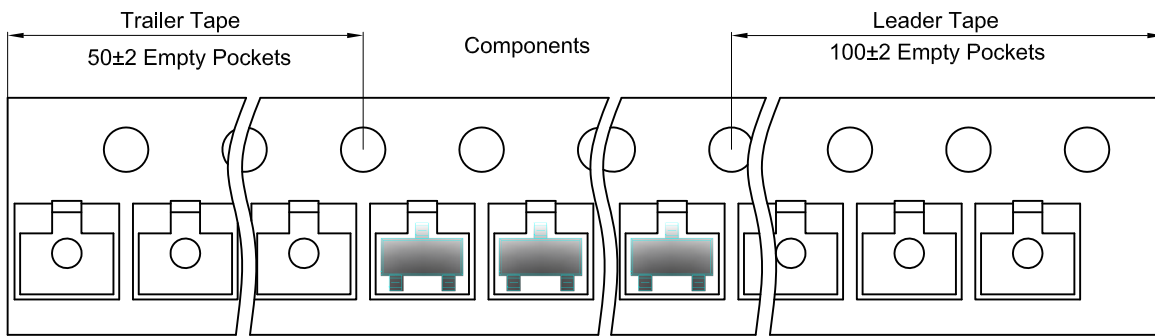
Packaging Description:

SOT-23 parts are shipped in tape. The carrier tape is made from a dissipative (carbon filled) polycarbonate resin. The cover tape is a multilayer film (Heat Activated Adhesive in nature) primarily composed of polyester film, adhesive layer, sealant, and anti-static sprayed agent. These reeled parts in standard option are shipped with 3,000 units per 7" or 17.8cm diameter reel. The reels are clear in color and is made of polystyrene plastic (anti-static coated).

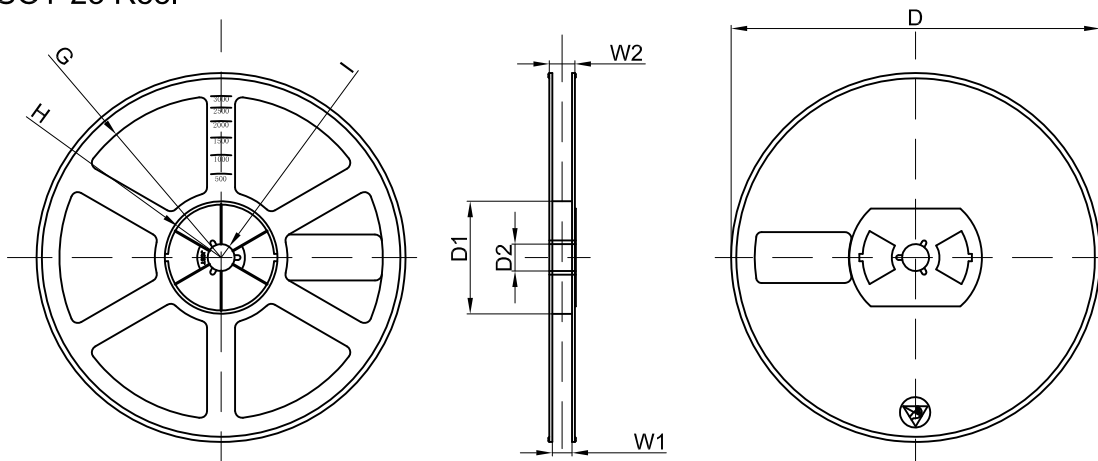
Dimensions are in millimeter

Pkg type	A	B	C	d	E	F	P0	P	P1	W
SOT-23	3.15	2.77	1.22	Ø1.50	1.75	3.50	4.00	4.00	2.00	8.00

SOT-23 Tape Leader and Trailer



SOT-23 Reel



Dimensions are in millimeter

Reel Option	D	D1	D2	G	H	I	W1	W2
7"Dia	Ø178.00	54.40	13.00	R78.00	R25.60	R6.50	9.50	12.30

REEL	Reel Size	Box	Box Size(mm)	Carton	Carton Size(mm)	G.W.(kg)
3000 pcs	7 inch	45,000 pcs	203×203×195	180,000 pcs	438×438×220	