

DATA SHEET

BFG94

NPN 6 GHz wideband transistor

Product specification
File under Discrete Semiconductors, SC14

September 1995

NPN 6 GHz wideband transistor

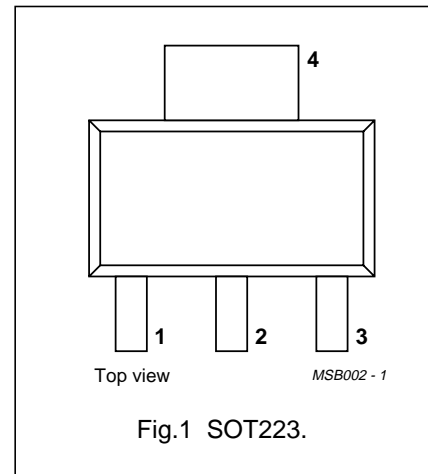
BFG94

FEATURES

- High power gain
- Low noise figure
- Low intermodulation distortion
- Gold metallization ensures excellent reliability.

PINNING

PIN	DESCRIPTION
1	emitter
2	base
3	emitter
4	collector



DESCRIPTION

NPN transistor mounted in a plastic SOT223 envelope. It is primarily intended for use in communication and instrumentation systems.

QUICK REFERENCE DATA

SYMBOL	PARAMETER	CONDITIONS	MIN.	TYP.	MAX.	UNIT
V_{CBO}	collector-base voltage	open emitter	–	–	15	V
V_{CEO}	collector-emitter voltage	open base	–	–	12	V
I_C	DC collector current		–	–	60	mA
P_{tot}	total power dissipation	up to $T_s = 140\text{ °C}$ (note 1)	–	–	700	mW
C_{re}	feedback capacitance	$I_C = 0$; $V_{CE} = 10\text{ V}$; $f = 1\text{ MHz}$	–	–	0.8	pF
f_T	transition frequency	$I_C = 45\text{ mA}$; $V_{CE} = 10\text{ V}$; $f = 1\text{ GHz}$; $T_{amb} = 25\text{ °C}$	4	6	–	GHz
G_{UM}	maximum unilateral power gain	$I_C = 45\text{ mA}$; $V_{CE} = 10\text{ V}$; $f = 1\text{ GHz}$; $T_{amb} = 25\text{ °C}$	11.5	13.5	–	dB
V_O	output voltage	$I_C = 45\text{ mA}$; $V_{CE} = 10\text{ V}$; $d_{im} = -60\text{ dB}$; $R_L = 75\text{ }\Omega$; $f = 800\text{ MHz}$; $T_{amb} = 25\text{ °C}$	–	500	–	mV
P_{L1}	output power at 1 dB gain compression	$I_C = 45\text{ mA}$; $V_{CE} = 10\text{ V}$; $f = 1\text{ GHz}$; $T_{amb} = 25\text{ °C}$	–	21.5	–	dBm

Note

1. T_s is the temperature at the soldering point of the collector tab.

NPN 6 GHz wideband transistor

BFG94

LIMITING VALUES

In accordance with the Absolute Maximum System (IEC 134).

SYMBOL	PARAMETER	CONDITIONS	MIN.	MAX.	UNIT
V _{CBO}	collector-base voltage	open emitter	–	15	V
V _{CEO}	collector-emitter voltage	open base	–	12	V
V _{EBO}	emitter-base voltage	open collector	–	2	V
I _C	DC collector current		–	60	mA
P _{tot}	total power dissipation	up to T _s = 140 °C (note 1)	–	700	mW
T _{stg}	storage temperature		–65	150	°C
T _j	junction temperature		–	175	°C

THERMAL RESISTANCE

SYMBOL	PARAMETER	CONDITIONS	THERMAL RESISTANCE
R _{th j-s}	thermal resistance from junction to soldering point	up to T _s = 140 °C (note 1)	50 K/W

Note

1. T_s is the temperature at the soldering point of the collector tab.

NPN 6 GHz wideband transistor

BFG94

CHARACTERISTICS

 $T_j = 25\text{ °C}$ unless otherwise specified.

SYMBOL	PARAMETER	CONDITIONS	MIN.	TYP.	MAX.	UNIT
I_{CBO}	collector cut-off current	$I_E = 0; V_{CB} = 10\text{ V}$	–	–	100	nA
h_{FE}	DC current gain	$I_C = 30\text{ mA}; V_{CE} = 5\text{ V}$	45	90	–	
		$I_C = 45\text{ mA}; V_{CE} = 10\text{ V}$	–	100	–	
C_c	collector capacitance	$I_E = i_e = 0; V_{CB} = 10\text{ V}; f = 1\text{ MHz}$	–	0.9	2	pF
C_e	emitter capacitance	$I_C = i_e = 0; V_{EB} = 0.5\text{ V}; f = 1\text{ MHz}$	–	2.9	4.5	pF
C_{re}	feedback capacitance	$I_C = i_c = 0; V_{CE} = 10\text{ V}; f = 1\text{ MHz}$	–	0.5	0.8	pF
f_T	transition frequency	$I_C = 45\text{ mA}; V_{CE} = 10\text{ V}; f = 1\text{ GHz}; T_{amb} = 25\text{ °C}$	4	–	–	GHz
		$I_C = 30\text{ mA}; V_{CE} = 5\text{ V}; f = 1\text{ GHz}; T_{amb} = 25\text{ °C}$	4	6	–	GHz
G_{UM}	maximum unilateral power gain (note1)	$I_C = 45\text{ mA}; V_{CE} = 10\text{ V}; f = 1\text{ GHz}; T_{amb} = 25\text{ °C}$	11.5	13.5	–	dB
F	minimum noise figure	$\Gamma_s = \Gamma_{opt}; I_C = 45\text{ mA}; V_{CE} = 10\text{ V}; f = 500\text{ MHz}$	–	2.7	–	dB
		$\Gamma_s = \Gamma_{opt}; I_C = 45\text{ mA}; V_{CE} = 10\text{ V}; f = 1\text{ GHz}$	–	3	–	dB
V_O	output voltage	note 2	–	500	–	mV
d_2	second order intermodulation distortion	note 3	–	–51	–	dB
P_{L1}	output power at 1 dB gain compression	$I_C = 45\text{ mA}; V_{CE} = 10\text{ V}; R_L = 50\text{ }\Omega; T_{amb} = 25\text{ °C};$ measured at $f = 1\text{ GHz}$	–	21.5	–	dBm
ITO	third order intercept point	note 4	–	34	–	dBm

Notes

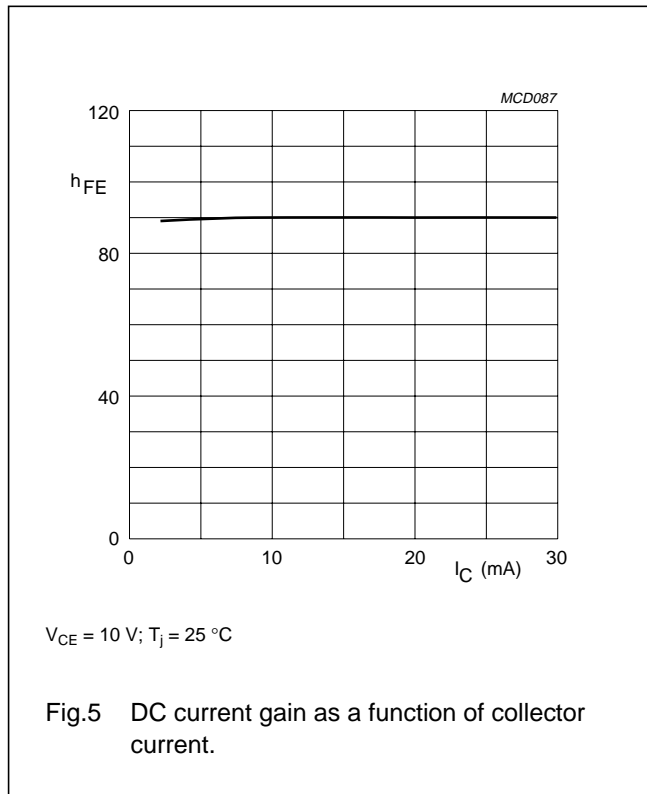
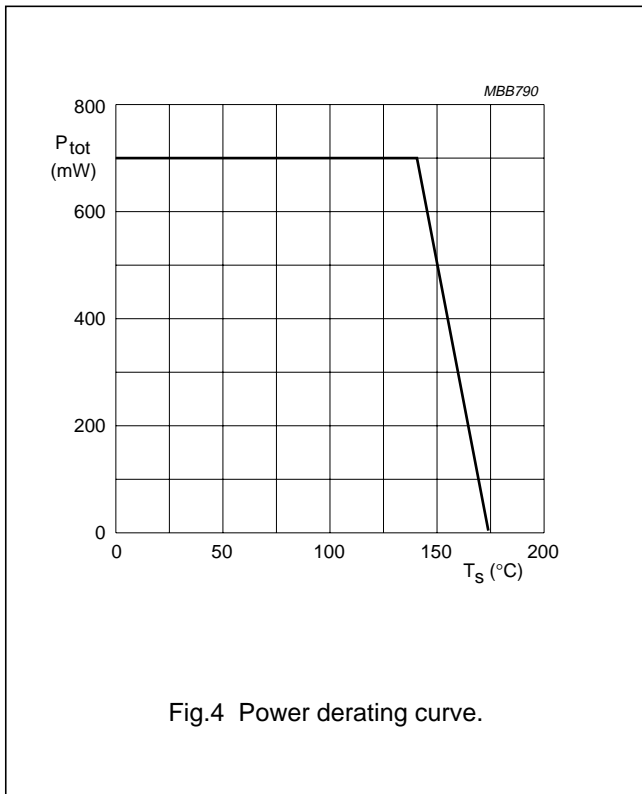
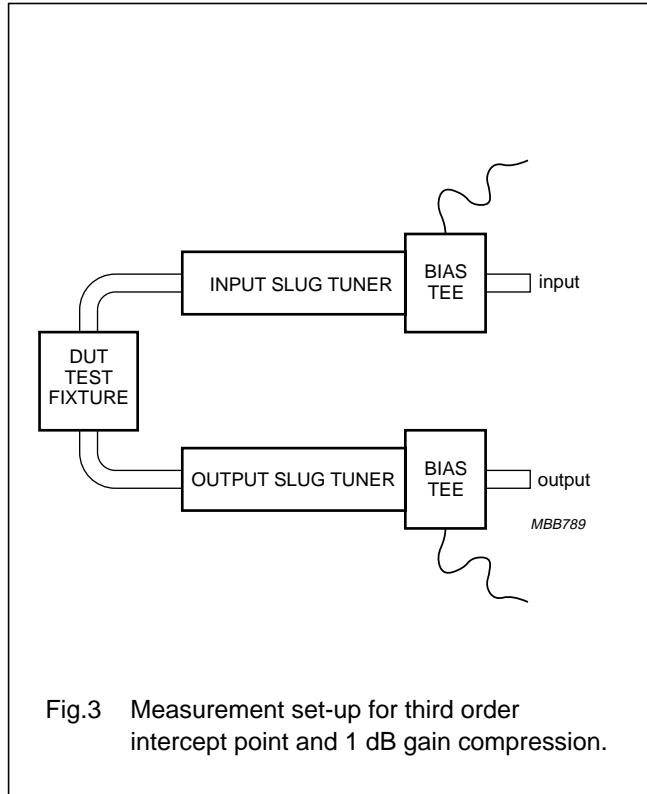
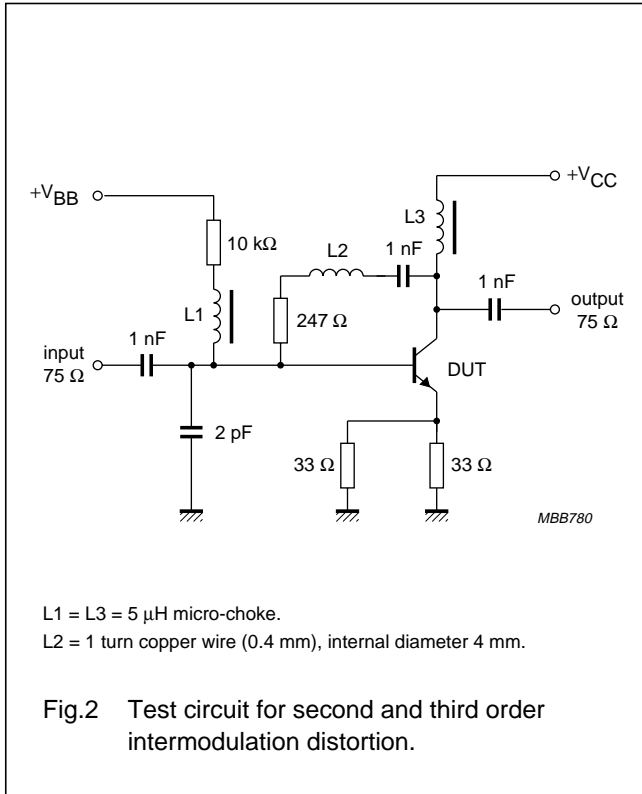
1. G_{UM} is the maximum unilateral power gain, assuming S_{12} is zero and

$$G_{UM} = 10 \log \left(\frac{|S_{21}|^2}{(1 - |S_{11}|^2)(1 - |S_{22}|^2)} \right) \text{dB.}$$

2. $d_{im} = -60\text{ dB}$ (DIN 45004B, par 6.3: 3-tone); $I_C = 45\text{ mA}; V_{CE} = 10\text{ V}; R_L = 75\text{ }\Omega; T_{amb} = 25\text{ °C};$
 $V_p = V_O$ at $d_{im} = -60\text{ dB}; f_p = 795.25\text{ MHz};$
 $V_q = V_O - 6\text{ dB}; V_r = V_O - 6\text{ dB};$
 $f_q = 803.25\text{ MHz}; f_r = 805.25\text{ MHz};$
 measured at $f_{(p+q-r)} = 793.25\text{ MHz}.$
3. $I_C = 45\text{ mA}; V_{CE} = 10\text{ V}; R_L = 75\text{ }\Omega; T_{amb} = 25\text{ °C};$
 $V_q = V_O = 280\text{ mV};$
 $f_p = 250\text{ MHz}; f_q = 560\text{ MHz};$
 measured at $f_{(p+q)} = 810\text{ MHz}.$
4. $I_C = 45\text{ mA}; V_{CE} = 10\text{ V}; R_L = 50\text{ }\Omega; T_{amb} = 25\text{ °C};$
 $f_p = 1000\text{ MHz}; f_q = 1001\text{ MHz};$
 measured at $f_{(2p-q)}$ and $f_{(2q-p)}.$

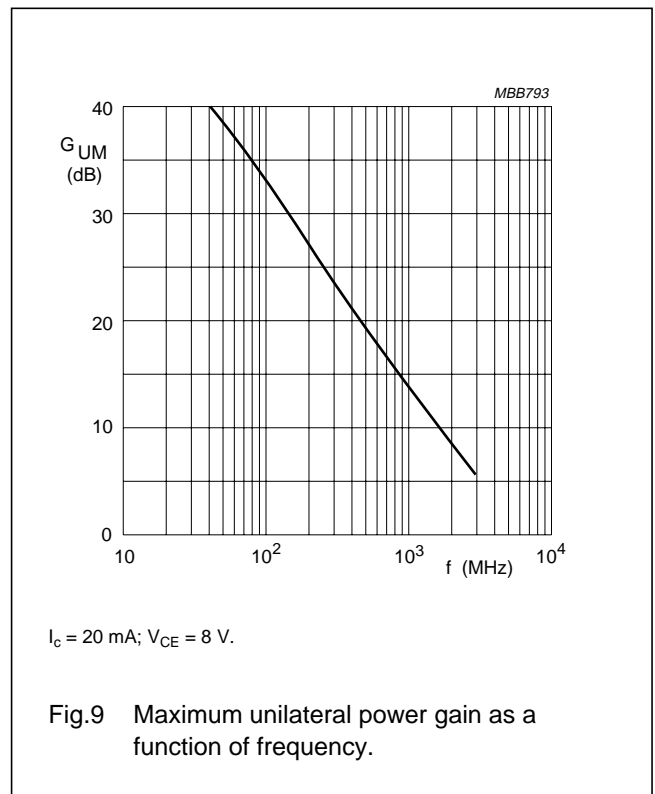
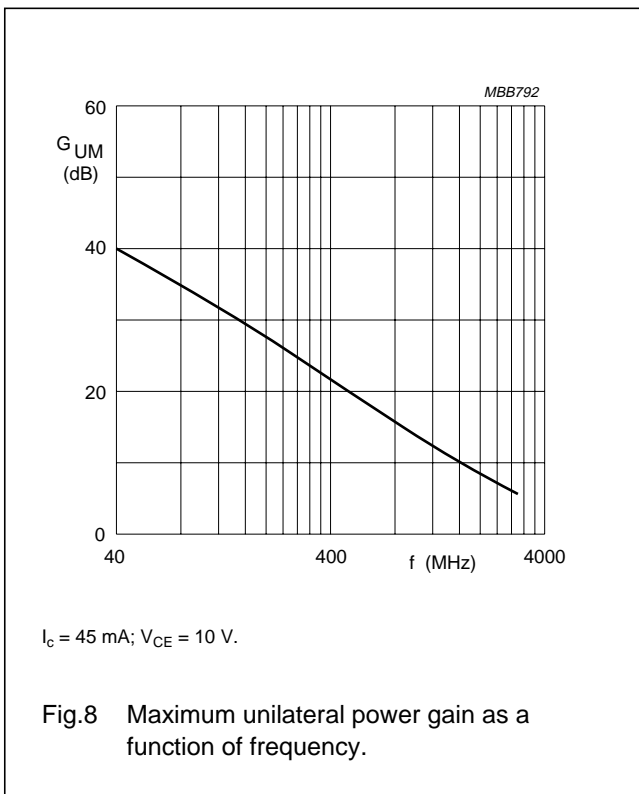
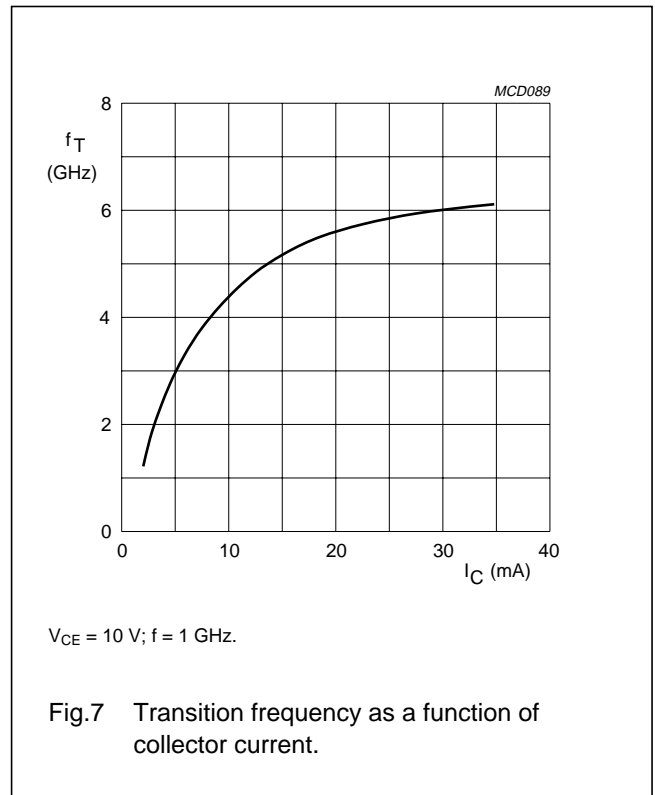
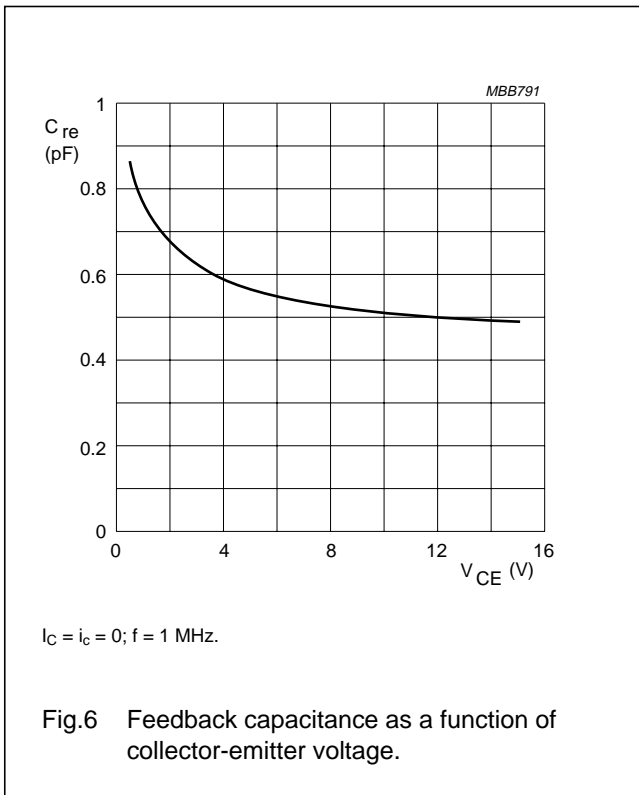
NPN 6 GHz wideband transistor

BFG94



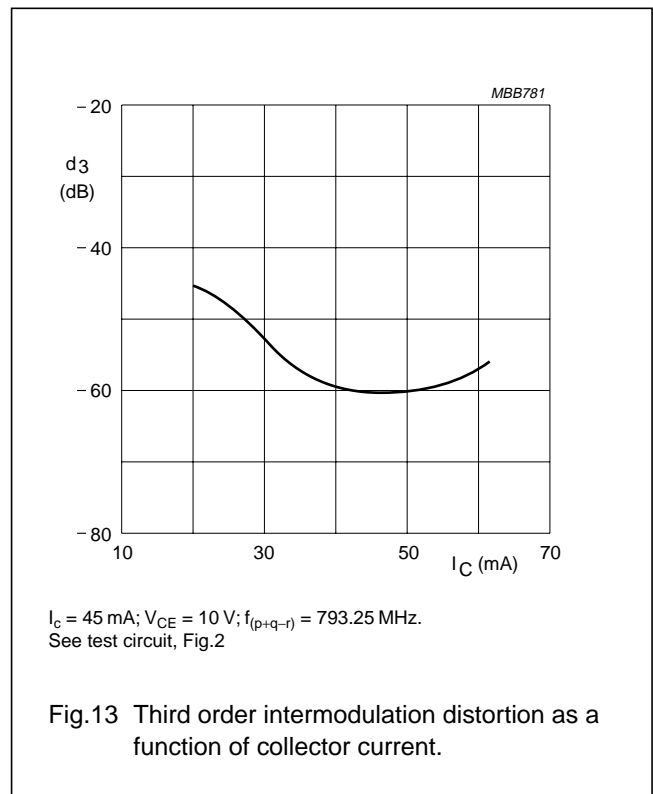
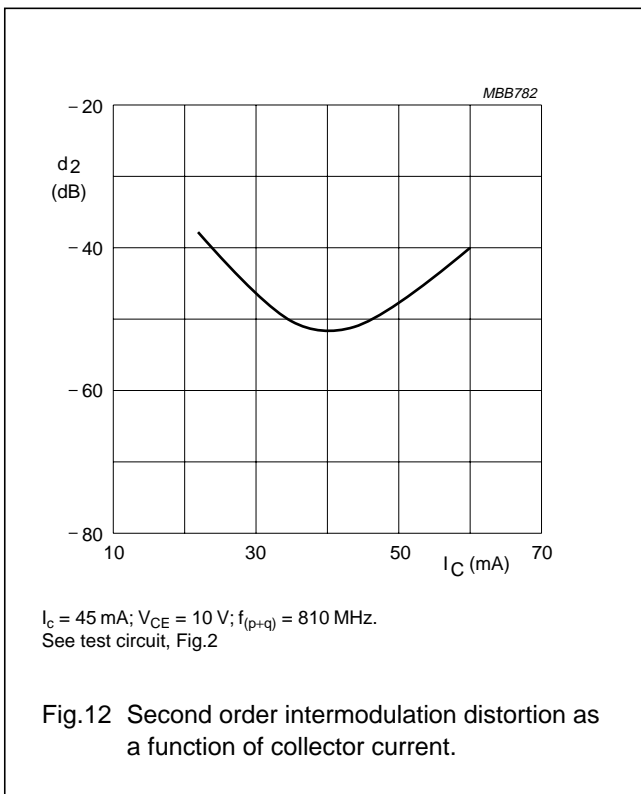
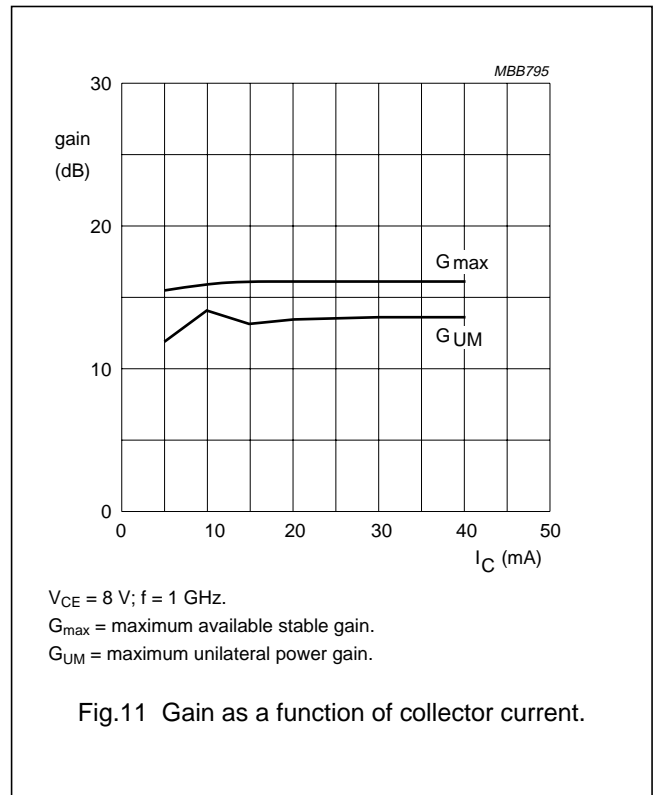
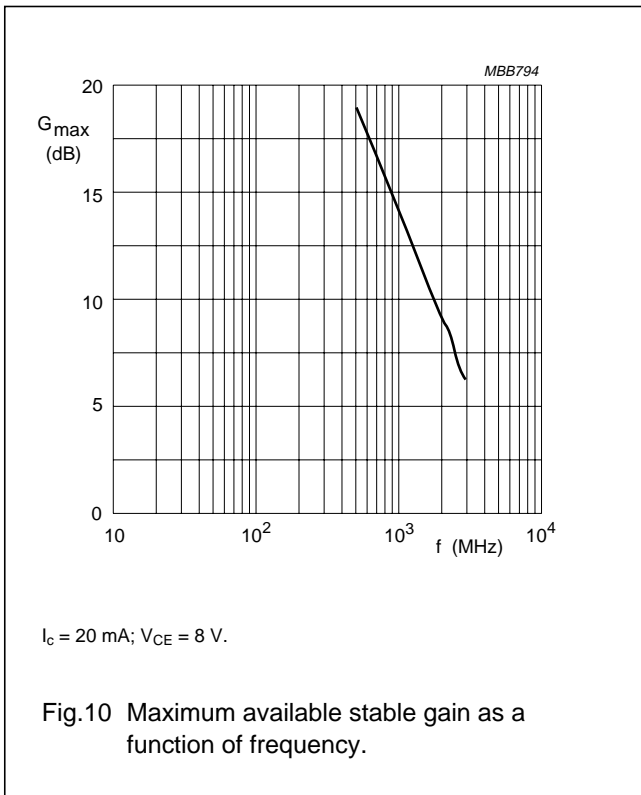
NPN 6 GHz wideband transistor

BFG94



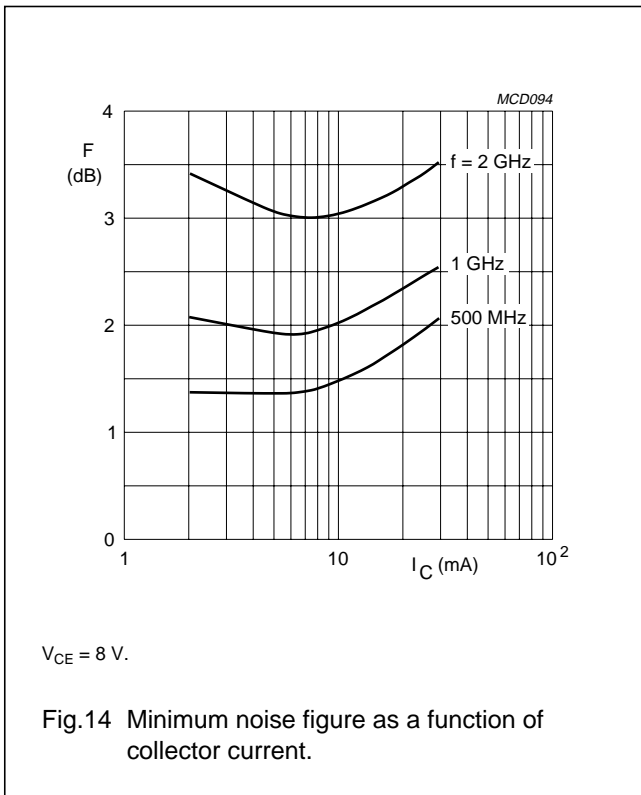
NPN 6 GHz wideband transistor

BFG94



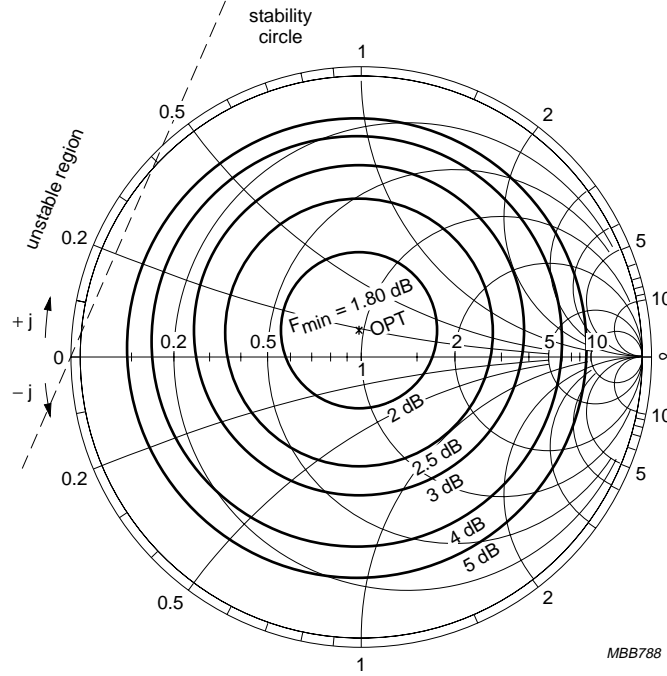
NPN 6 GHz wideband transistor

BFG94



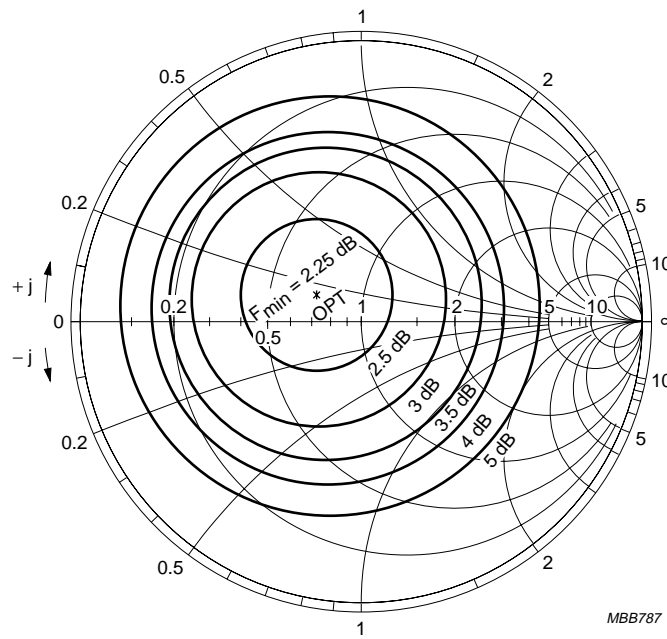
NPN 6 GHz wideband transistor

BFG94



$I_c = 15 \text{ mA}$; $V_{CE} = 10 \text{ V}$; $f = 500 \text{ MHz}$.

Fig.15 Noise circle.

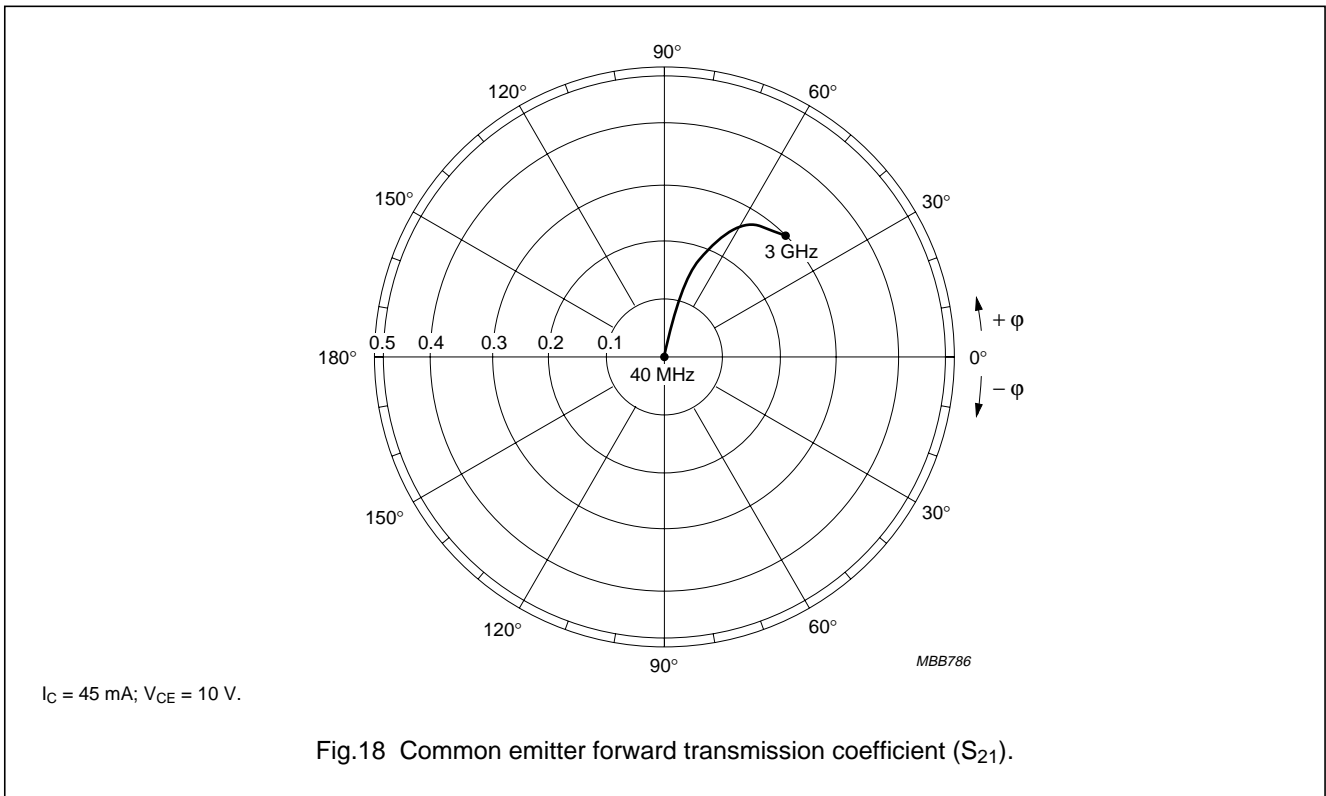
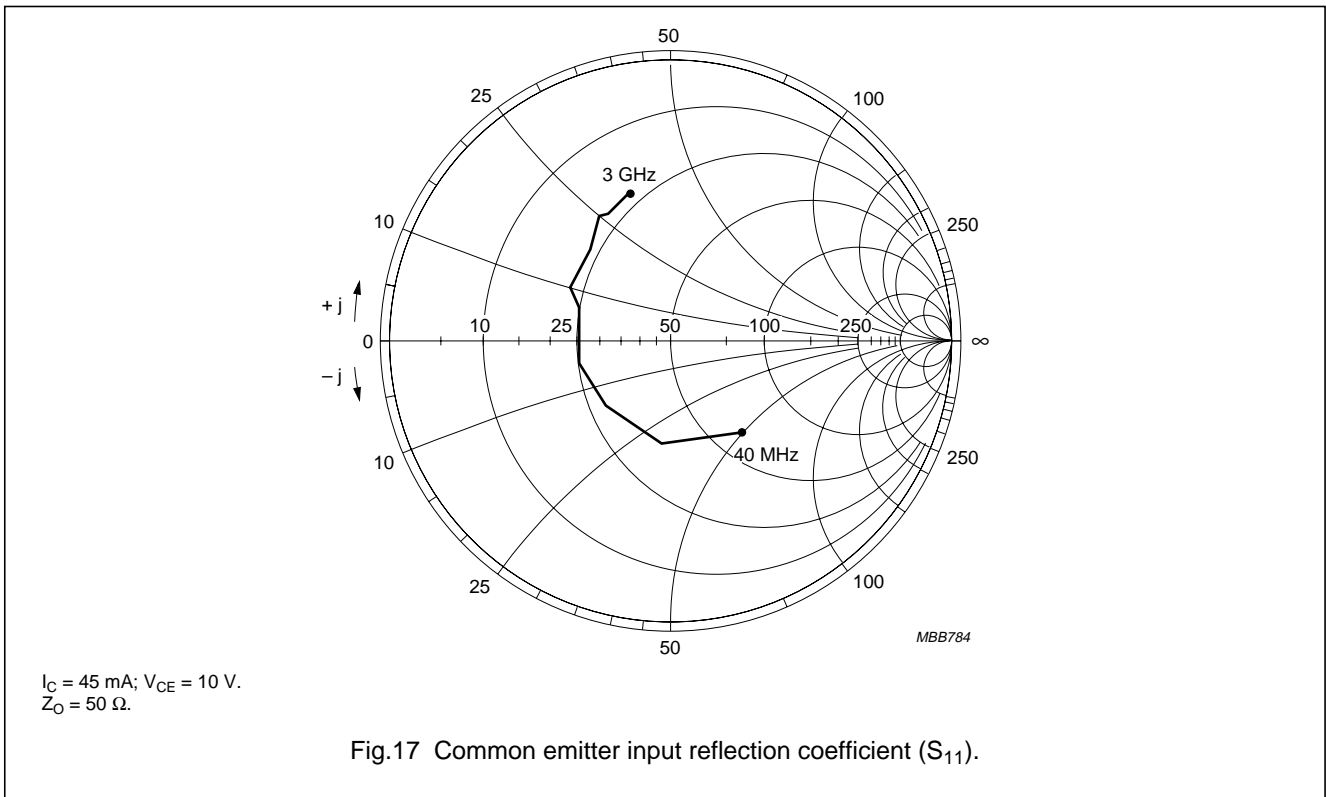


$I_c = 15 \text{ mA}$; $V_{CE} = 10 \text{ V}$; $f = 1 \text{ GHz}$.

Fig.16 Noise circle.

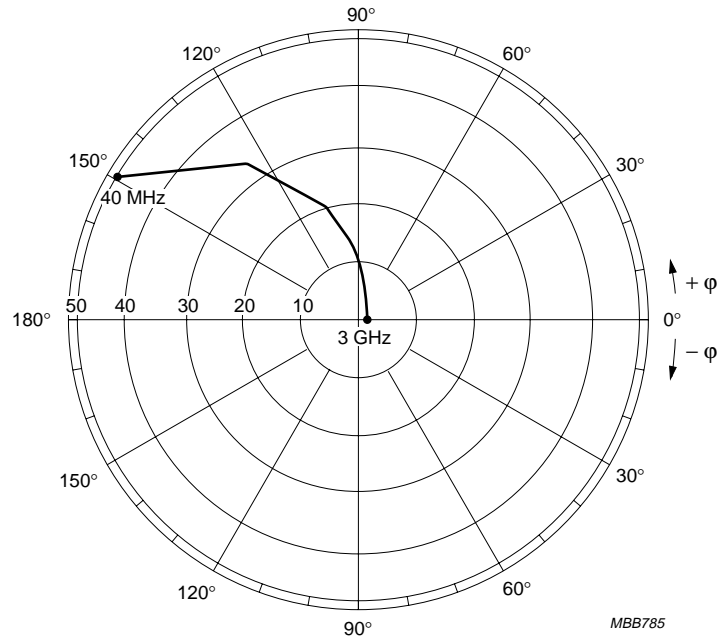
NPN 6 GHz wideband transistor

BFG94



NPN 6 GHz wideband transistor

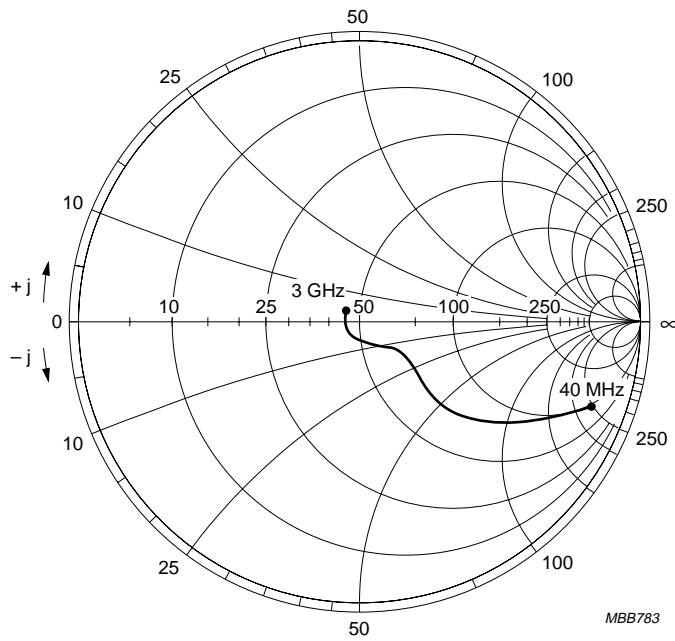
BFG94



$I_C = 45 \text{ mA}; V_{CE} = 10 \text{ V}.$

MBB785

Fig.19 Common emitter reverse transmission coefficient (S_{12}).



$I_C = 45 \text{ mA}; V_{CE} = 10 \text{ V}.$
 $Z_O = 50 \Omega.$

MBB783

Fig.20 Common emitter output reflection coefficient (S_{22}).

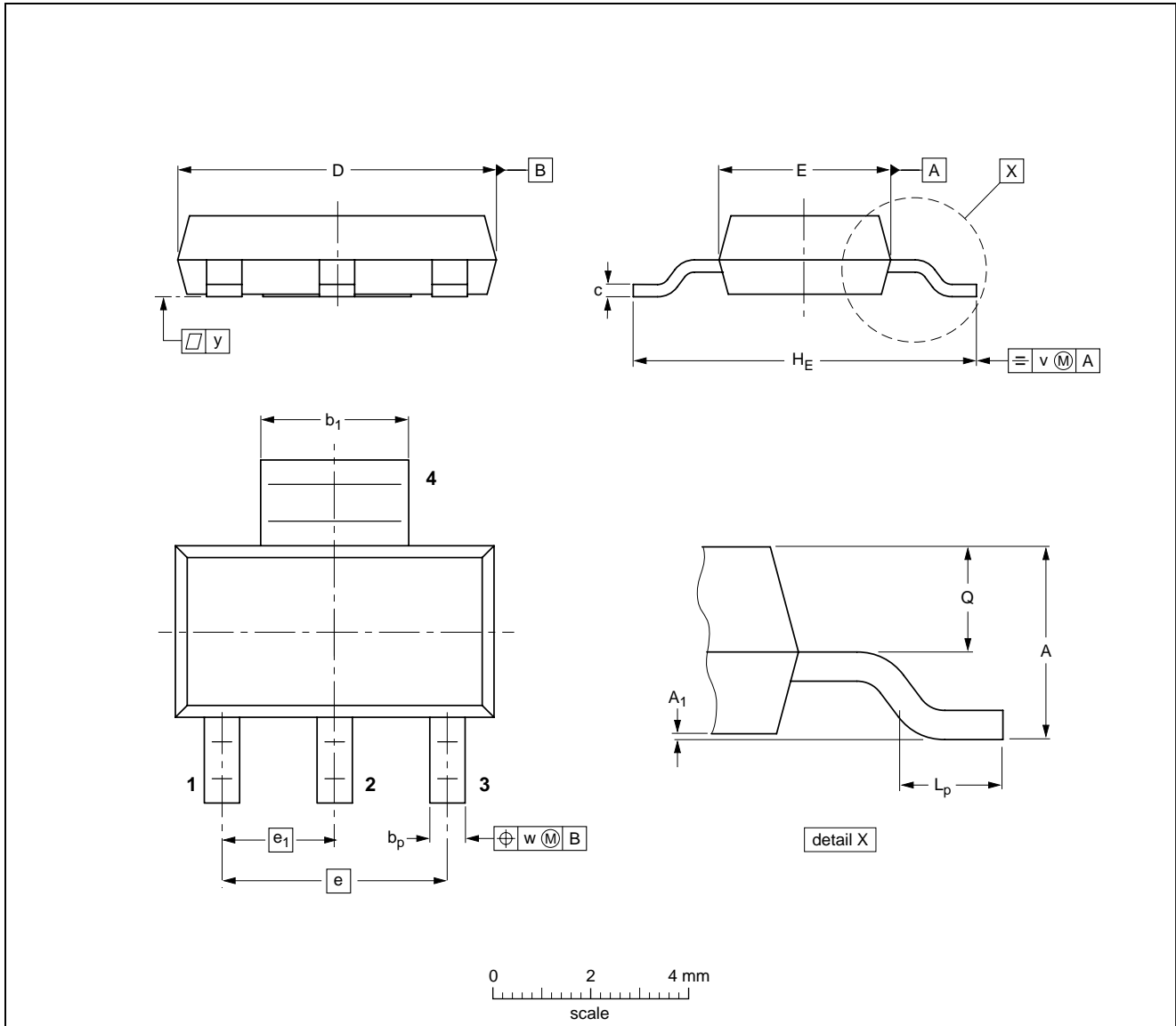
NPN 6 GHz wideband transistor

BFG94

PACKAGE OUTLINE

Plastic surface mounted package; collector pad for good heat transfer; 4 leads

SOT223



DIMENSIONS (mm are the original dimensions)

UNIT	A	A ₁	b _p	b ₁	c	D	E	e	e ₁	H _E	L _p	Q	v	w	y
mm	1.8 1.5	0.10 0.01	0.80 0.60	3.1 2.9	0.32 0.22	6.7 6.3	3.7 3.3	4.6	2.3	7.3 6.7	1.1 0.7	0.95 0.85	0.2	0.1	0.1

OUTLINE VERSION	REFERENCES				EUROPEAN PROJECTION	ISSUE DATE
	IEC	JEDEC	EIAJ			
SOT223						96-11-11 97-02-28

NPN 6 GHz wideband transistor

BFG94

DEFINITIONS

Data Sheet Status	
Objective specification	This data sheet contains target or goal specifications for product development.
Preliminary specification	This data sheet contains preliminary data; supplementary data may be published later.
Product specification	This data sheet contains final product specifications.
Limiting values	
Limiting values given are in accordance with the Absolute Maximum Rating System (IEC 134). Stress above one or more of the limiting values may cause permanent damage to the device. These are stress ratings only and operation of the device at these or at any other conditions above those given in the Characteristics sections of the specification is not implied. Exposure to limiting values for extended periods may affect device reliability.	
Application information	
Where application information is given, it is advisory and does not form part of the specification.	

LIFE SUPPORT APPLICATIONS

These products are not designed for use in life support appliances, devices, or systems where malfunction of these products can reasonably be expected to result in personal injury. Philips customers using or selling these products for use in such applications do so at their own risk and agree to fully indemnify Philips for any damages resulting from such improper use or sale.