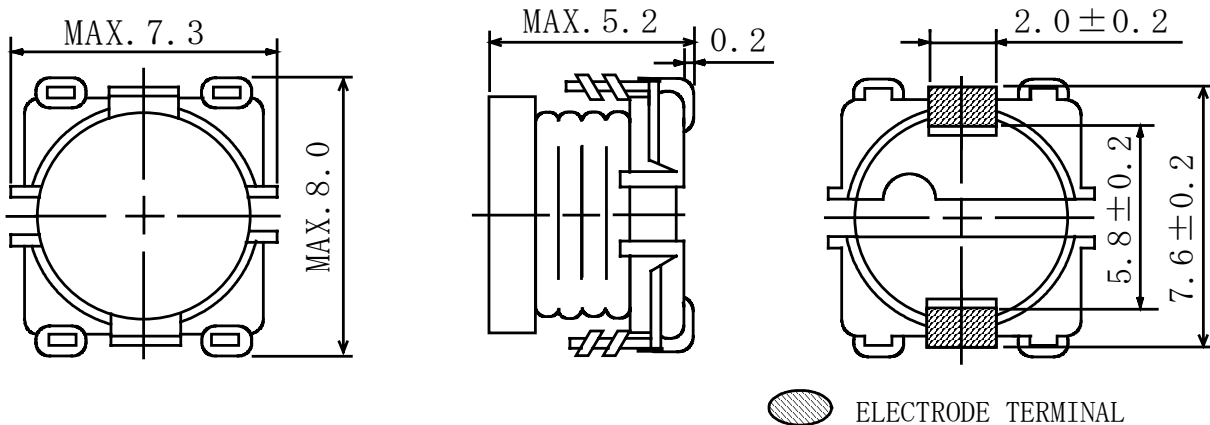
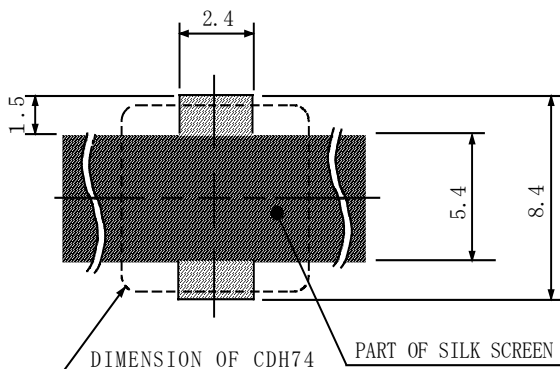


**Type: CDH74**
**◆ Product Description**

- 7.3×8.0mm Max.(L×W), 5.2mm Max. Height.
- Inductance range: 10~470 μ H
- Rated current range: 0.33~2.75A
- In addition to the standard versions of inductors shown here, custom inductors are available to meet your exact requirements.


**◆ Feature**

- Magnetically unshielded construction.
- Ideally used in Notebook PC, Projector, LCD TV, Game machine, STB etc as DC-DC Converter inductors.
- RoHS Compliance

**◆ Dimensions (mm)**

**◆ Land Pattern (mm)**


**Type: CDH74**
**◆ Specification**

| Part Name<br>※ | Stamp | Inductance<br>[Within]<br>1 kHz | D.C.R.(Ω)<br>Max.(Typ.)<br>(at 20°C) | Rated current<br>(A) ※1 |
|----------------|-------|---------------------------------|--------------------------------------|-------------------------|
| CDH74NP-100L□  | 100   | 10 μH ± 15%                     | 56m (43m)                            | 2.75                    |
| CDH74NP-120L□  | 120   | 12 μH ± 15%                     | 65m (50m)                            | 2.45                    |
| CDH74NP-150L□  | 150   | 15 μH ± 15%                     | 83m (64m)                            | 2.10                    |
| CDH74NP-180L□  | 180   | 18 μH ± 15%                     | 94m (72m)                            | 1.95                    |
| CDH74NP-220L□  | 220   | 22 μH ± 15%                     | 0.13(0.10)                           | 1.70                    |
| CDH74NP-270K□  | 270   | 27 μH ± 10%                     | 0.16(0.12)                           | 1.55                    |
| CDH74NP-330K□  | 330   | 33 μH ± 10%                     | 0.17(0.13)                           | 1.45                    |
| CDH74NP-390K□  | 390   | 39 μH ± 10%                     | 0.21(0.16)                           | 1.30                    |
| CDH74NP-470K□  | 470   | 47 μH ± 10%                     | 0.23(0.18)                           | 1.20                    |
| CDH74NP-560K□  | 560   | 56 μH ± 10%                     | 0.26(0.20)                           | 1.15                    |
| CDH74NP-680K□  | 680   | 68 μH ± 10%                     | 0.35(0.27)                           | 1.00                    |
| CDH74NP-820J□  | 820   | 82 μH ± 5%                      | 0.48(0.37)                           | 0.92                    |
| CDH74NP-101J□  | 101   | 100 μH ± 5%                     | 0.55(0.42)                           | 0.81                    |
| CDH74NP-121J□  | 121   | 120 μH ± 5%                     | 0.62(0.48)                           | 0.73                    |
| CDH74NP-151J□  | 151   | 150 μH ± 5%                     | 0.72(0.55)                           | 0.71                    |
| CDH74NP-181J□  | 181   | 180 μH ± 5%                     | 0.82(0.63)                           | 0.66                    |
| CDH74NP-221J□  | 221   | 220 μH ± 5%                     | 1.08(0.83)                           | 0.55                    |
| CDH74NP-271J□  | 271   | 270 μH ± 5%                     | 1.38(1.10)                           | 0.48                    |
| CDH74NP-331J□  | 331   | 330 μH ± 5%                     | 1.55(1.24)                           | 0.40                    |
| CDH74NP-391J□  | 391   | 390 μH ± 5%                     | 2.09(1.67)                           | 0.38                    |
| CDH74NP-471J□  | 471   | 470 μH ± 5%                     | 2.39(1.91)                           | 0.33                    |

**※ Description of part name**

CDH74NP-100L□

- B Box
- C Carrier Tape

※1 Rated current: The DC current at which the inductance decreases to 90% of its initial value or when  $\Delta t=40^{\circ}\text{C}$ , whichever is lower ( $T_a=20^{\circ}\text{C}$ ).