

CMPT2484

**SURFACE MOUNT
NPN LOW NOISE
SILICON TRANSISTOR**



SOT-23 CASE



www.centrasemi.com

DESCRIPTION:

The CENTRAL SEMICONDUCTOR CMPT2484 type is an NPN silicon low noise transistor manufactured by the epitaxial planar process, epoxy molded in a surface mount package, designed for low noise amplifier applications.

MARKING CODE: C1U

MAXIMUM RATINGS: ($T_A=25^\circ\text{C}$)

	SYMBOL		UNITS
Collector-Base Voltage	V_{CBO}	60	V
Collector-Emitter Voltage	V_{CEO}	60	V
Emitter-Base Voltage	V_{EBO}	6.0	V
Continuous Collector Current	I_C	50	mA
Power Dissipation	P_D	350	mW
Operating and Storage Junction Temperature	T_J, T_{stg}	-65 to +150	$^\circ\text{C}$
Thermal Resistance	θ_{JA}	357	$^\circ\text{C/W}$

ELECTRICAL CHARACTERISTICS: ($T_A=25^\circ\text{C}$ unless otherwise noted)

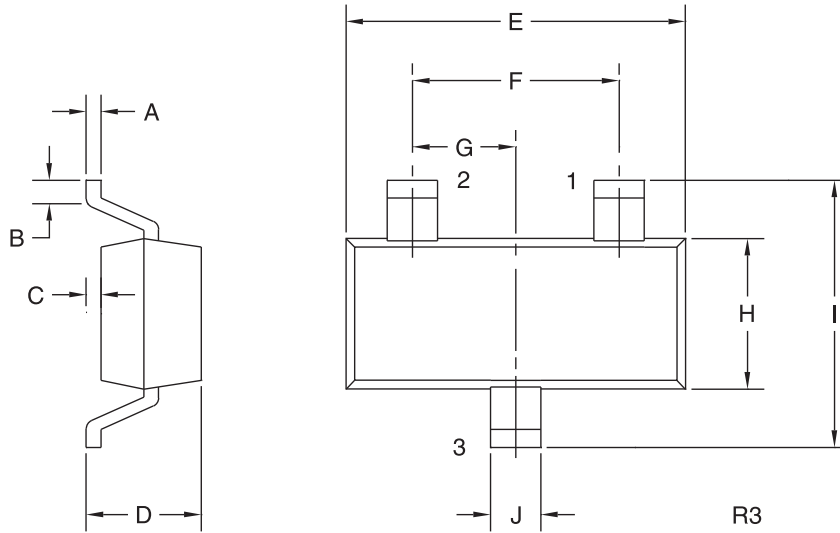
SYMBOL	TEST CONDITIONS	MIN	MAX	UNITS
I_{CBO}	$V_{CB}=45\text{V}$		10	nA
I_{CBO}	$V_{CB}=45\text{V}, T_A=150^\circ\text{C}$		10	μA
I_{EBO}	$V_{EB}=5.0\text{V}$		10	nA
BV_{CBO}	$I_C=10\mu\text{A}$	60		V
BV_{CEO}	$I_C=10\text{mA}$	60		V
BV_{EBO}	$I_E=10\mu\text{A}$	5.0		V
$V_{CE(SAT)}$	$I_C=1.0\text{mA}, I_B=100\mu\text{A}$		0.35	V
$V_{BE(ON)}$	$V_{CE}=5.0\text{V}, I_C=1.0\text{mA}$		0.95	V
h_{FE}	$V_{CE}=5.0\text{V}, I_C=1.0\text{mA}$	250		
h_{FE}	$V_{CE}=5.0\text{V}, I_C=10\text{mA}$		800	
C_{ob}	$V_{CB}=5.0\text{V}, I_E=0, f=1.0\text{MHz}$		6.0	pF
C_{ib}	$V_{EB}=0.5\text{V}, I_C=0, f=1.0\text{MHz}$		6.0	pF
NF	$V_{CE}=5.0\text{V}, I_C=10\mu\text{A}, R_S=10\text{k}\Omega,$ $f=1.0\text{kHz}, BW=200\text{Hz}$		3.0	dB

R5 (1-February 2010)

CMPT2484
 SURFACE MOUNT
 NPN LOW NOISE
 SILICON TRANSISTOR



SOT-23 CASE - MECHANICAL OUTLINE



LEAD CODE:

- 1) Base
- 2) Emitter
- 3) Collector

MARKING CODE: C1U

DIMENSIONS				
SYMBOL	INCHES		MILLIMETERS	
	MIN	MAX	MIN	MAX
A	0.003	0.007	0.08	0.18
B	0.006	-	0.15	-
C	-	0.005	-	0.13
D	0.035	0.043	0.89	1.09
E	0.110	0.120	2.80	3.05
F	0.075		1.90	
G	0.037		0.95	
H	0.047	0.055	1.19	1.40
I	0.083	0.098	2.10	2.49
J	0.014	0.020	0.35	0.50

SOT-23 (REV: R3)

R5 (1-February 2010)