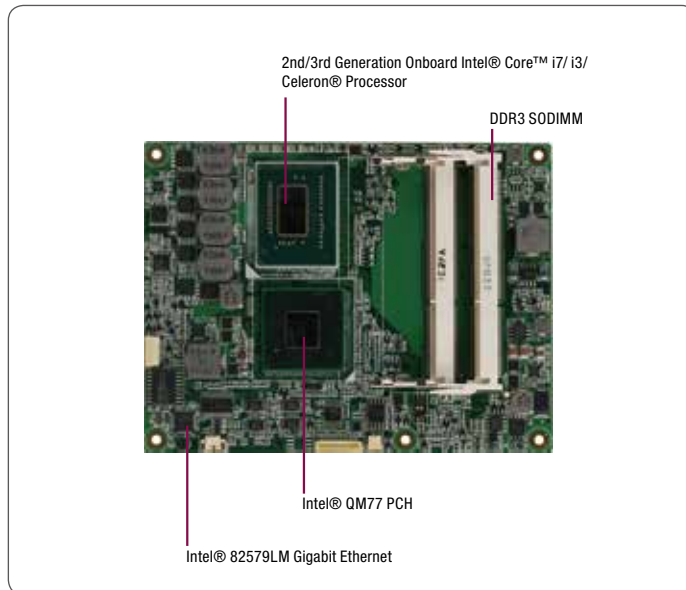


COM-QM77 Rev. B

COM Express Type 6 CPU Module with Onboard Intel® Core™ i7/i5/i3/Celeron® Processor

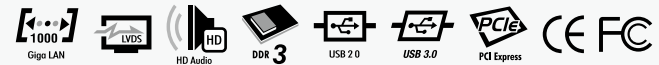


Specifications

System	
Form Factor	COM Express Basic module, Pin-out Type 6, COM. 0 Rev. 2.0
Processor	Onboard Intel® Core™ i7/i5/i3/Celeron® Processor (FCBGA1023)
System Memory	DDR3 1333/1600 MHz SODIMM x 2, up to 16 GB
Chipset	Intel® QM77/HM76
I/O Chipset	Intel® QM77/HM76
Ethernet	Intel® 82579LM, 10/100/1000Base-TX
TPM	v1.2 (optional)
BIOS	AMI BIOS SPI type, 16 MB ROM
EEPROM	Atmel® AT24C02, save BIOS and Configuration data (Optional)
Wake On Lan	Yes
Watchdog Timer	ITE8518E-L, 255 levels
H/W status Monitoring	Supports CPU Temperature Monitoring
Expansion interface	PCI-Express [x16] x 1 PCI-Express [x1] x 7 LPC bus x 1 SMBUS x 1 UART x 2 (Tx/Rx only)
Power Requirement	+12V only
Power Consumption	Intel® i3-3217UE 1.6 GHz, DDR3 4 GB 2.23A@+12V (w/ ECB-917T)
Board Size	4.92" (L) x 3.74" (W) (125mm x 95mm)
Gross Weight	0.66 lb (0.3 kg)
Operating Temperature	32°F ~ 140°F (0°C ~ 60°C) -4°F ~ 158°F (-20°C ~ 70°C) for WiTAS 1
Storage Temperature	-40°F ~ 176°F (-40°C ~ 80°C)
Operating Humidity	0% ~ 90% relative humidity, non-condensing
MTBF (Hours)	83,000
Display	
	Supports HDMI/ DP, CRT or HDMI/ DP/ DVI simultaneous display
Chipset	Intel® Core™ i7/i5/i3/Celeron® processor integrated DirectX 11, OpenGL *3.1, OpenCL* 1.1 Integrated hardware MPEG2 decoder
Memory	Shared system memory up to 512 MB/ DVMT 5.0
Resolution	Up to 2560 x 2048 for CRT (two display), 2048 x 1536 for three displays Up to 1920 x 1200 (UXGA) for LCD/HDMI Up to 2560 x 1600 for DP Up to 2548 x 1536 for DVI
LCD Interface	Up to 24-bit Dual-Channel LVDS
HDMI	HDMI x 2
DVI	DVI x 2
DisplayPort	DisplayPort™ x 2

Features

- Onboard Intel® Core™ i7/i5/i3/Celeron® Processor (FCBGA1023)
- Intel® QM77/HM76 PCH
- Dual-Channel DDR3 1333/1600 MHz SODIMM x 2, Up to 16 GB
- Gigabit Ethernet (iAMT 8.0 Support)
- CRT, Up to 24-bit Dual-Channel LVDS LCD, DisplayPort™
- USB3.0 x 4, USB2.0 x 8, SATA x 4
- PCI-Express [x16] x 1, PCI-Express [x1] x 7
- COM Express Basic Module, Pin-out Type 6, COM.0 Rev. 2.0
- IEEE 1588 Compatible
- 20°C ~ 70°C Wide Temperature Range Available for Selected Model



I/O	
Storage	SATA x 4
Serial Port	UART x 2 (Tx/Rx only)
USB	USB2.0 x 8 USB3.0 x 4
Audio	High definition audio
GPIO	Up to 4 in and 4 out

Packing List

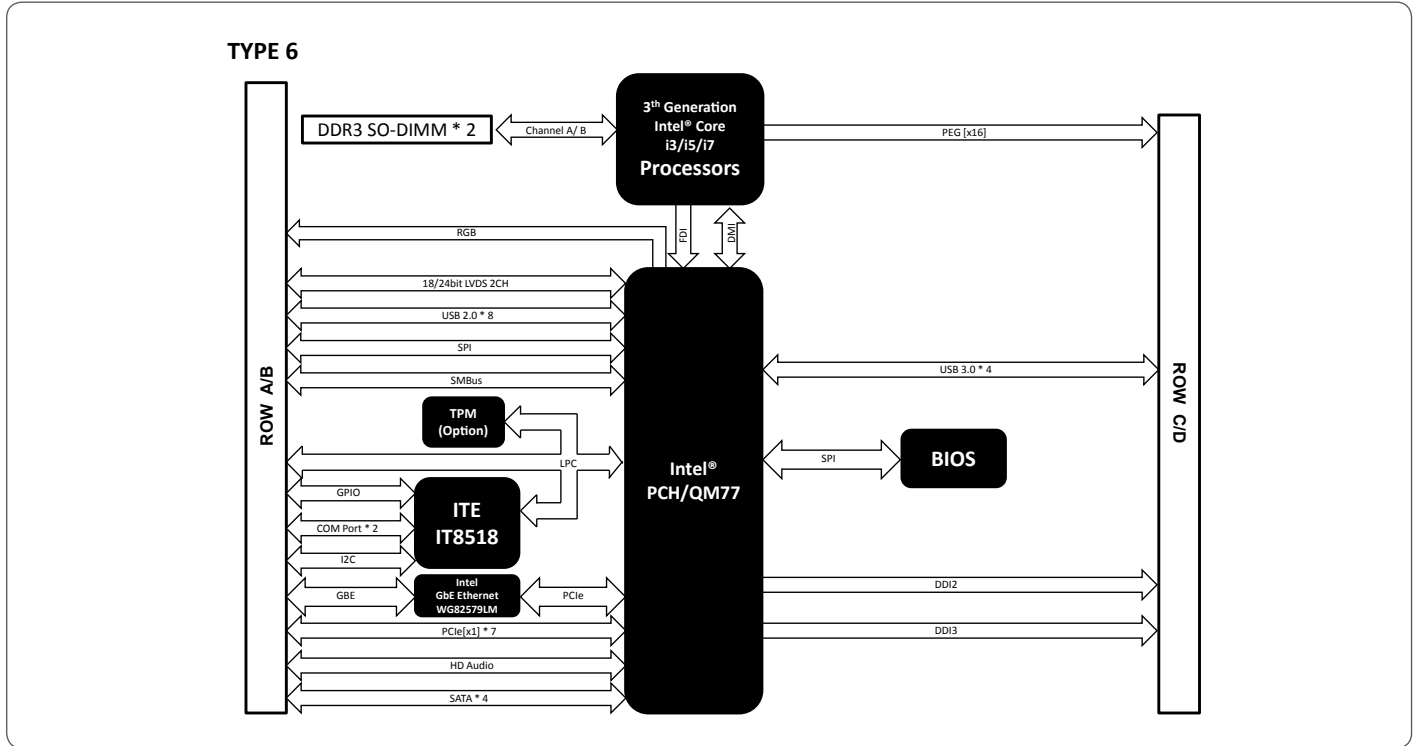
- M2.5 Screw x 5
- Product DVD
- COM-QM77 Rev. B

Optional Accessories

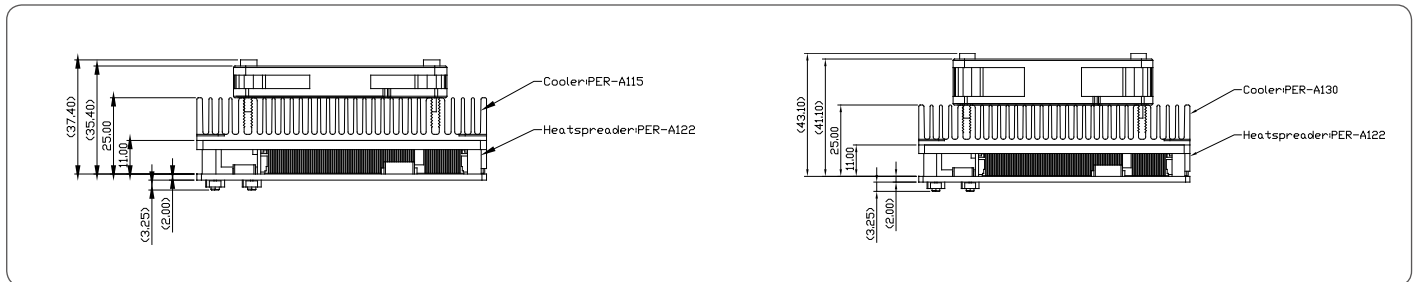
- ECB-920A-A10**
COM Express Type 1/6/10 Carrier Board, Gigabit Ethernet, USB, 2 COM, 4 SATA, PCIe, AT/ATX, Legacy Free, Rev. A1.0
- PER-A122**
Heat Spreader, For COM-QM77, Onboard CPU
- PER-A115**
CPU Cooler, 45W, for COM Express Basic Size, to be used with Heat Spreader
- PER-A130**
CPU Cooler (for WiTAS1), COM Express Basic Size, to be used with Heat Spreader

COM-QM77 Rev. B

Block Diagram Unit: mm



Dimension Unit: mm



Ordering Information

Part Number	COM Express Type	Chipset	CPU	Memory	Display	LVDS	Storage	LAN	USB	UART	Expansion Slot	Power	Temp.
COM-QM77-B11	6 (COM.0 Rev.2.0)	QM77	3rd Generation Intel® Core™ i7-3555LE/2.5 GHz (FCBGA1023)	DDR3 SODIMM x 2 up to 16 GB	CRT, LVDS, HDMI, DP, DVI	24b, 2CH	SATA x 4	GbE x 1	USB3.0 x 4 USB2.0 x 8	2 (Tx/Rx)	PCI-E [16] x 1, PCI-E [1] x 7	12V	0°C ~ 60°C
COM-QM77-B11-01	6 (COM.0 Rev.2.0)	QM77	3rd Generation Intel® Core™ i7-3517UE/1.7 GHz (FCBGA1023)	DDR3 SODIMM x 2 up to 16 GB	CRT, LVDS, HDMI, DP, DVI	24b, 2CH	SATA x 4	GbE x 1	USB3.0 x 4 USB2.0 x 8	2 (Tx/Rx)	PCI-E [16] x 1, PCI-E [1] x 7	12V	0°C ~ 60°C
COM-QM77-B11-02	6 (COM.0 Rev.2.0)	HM76	3rd Generation Intel® Core™ i3-3217UE/1.6 GHz (FCBGA1023)	DDR3 SODIMM x 2 up to 16 GB	CRT, LVDS, HDMI, DP, DVI	24b, 2CH	SATA x 4	GbE x 1	USB3.0 x 4 USB2.0 x 8	2 (Tx/Rx)	PCI-E [16] x 1, PCI-E [1] x 7	12V	0°C ~ 60°C
COM-QM77W1-B11	6 (COM.0 Rev.2.0)	QM77	3rd Generation Intel® Core™ i7-3555LE/2.5 GHz (FCBGA1023)	DDR3 SODIMM x 2 up to 16 GB	CRT, LVDS, HDMI, DP, DVI	24b, 2CH	SATA x 4	GbE x 1	USB3.0 x 4 USB2.0 x 8	2 (Tx/Rx)	PCI-E [16] x 1, PCI-E [1] x 7	12V	WITAS 1 (-20°C ~ 70°C)