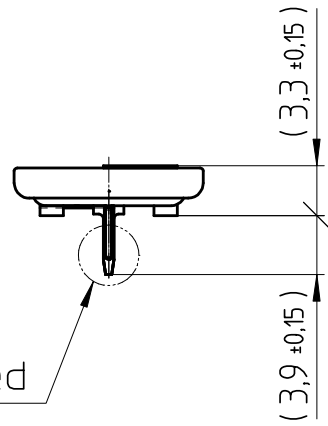


Layout top view

solder plated



- Samples can deviate in the execution from the serie.

Tab material: Stainless steel

All framed values will be used for dimension checking !

- Dimensions and tolerances can be specified only after the testing of the devices for the mass production definitely

Rev.	○			Rev.	○			Customer's Approval					
Rev.	○			Rev.	○			Date					
Rev.	○			Rev.	○			Signature					
Titel:								Scale 2:1	Drawn	21.12.04	SRi		
CR1225FH-LF									Checked	07.02.05	MHo		
									Approved				
								CH-4452 Itingen Switzerland			3.8702.4-		