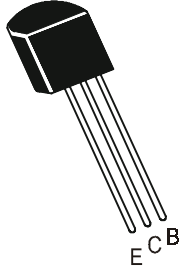


NPN SILICON PLANAR EPITAXIAL TRANSISTOR

CSC458



**TO-92
Plastic Package**

Low Frequency Amplifier.

Complementary CSA 1029

ABSOLUTE MAXIMUM RATINGS (Ta=25°C unless specified otherwise)

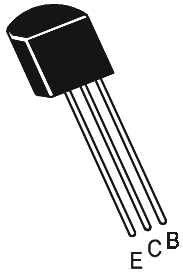
| DESCRIPTION | SYMBOL | VALUE | UNIT |
|--|----------------|-------------|------|
| Collector Emitter Voltage | V_{CEO} | 30 | V |
| Collector Base Voltage | V_{CBO} | 30 | V |
| Emitter Base Voltage | V_{EBO} | 5.0 | V |
| Collector Current | I_C | 100 | mA |
| Emitter Current | I_E | 100 | mA |
| Collector Power Dissipation | P_C | 200 | mW |
| Operating And Storage Junction Temperature Range | T_j, T_{stg} | -55 to +150 | °C |

ELECTRICAL CHARACTERISTICS (Ta=25°C unless specified otherwise)

| DESCRIPTION | SYMBOL | TEST CONDITION | MIN | TYP | MAX | UNIT |
|--------------------------------------|-----------------|-----------------------|------|-----|------|------|
| Collector Emitter Voltage | V_{CEO} | $I_C=1mA, I_E=0$ | 30 | | | V |
| Collector Base Voltage | V_{CBO} | $I_C=10\mu A, I_E=0$ | 30 | | | V |
| Emitter Base Voltage | V_{EBO} | $I_E=10\mu A, I_C=0$ | 5.0 | | | V |
| Collector Cut off Current | I_{CBO} | $V_{CB}=18V, I_E = 0$ | | | 500 | nA |
| Emitter Cut off Current | I_{EBO} | $V_{BE}=2V, I_C = 0$ | | | 500 | nA |
| DC Current Gain | h_{FE} | $V_{CE}=12V, I_C=2mA$ | 100 | | 500 | |
| Base Emitter On Voltage | $V_{BE(on)}$ | $I_C=2mA, V_{CE}=12V$ | | | 0.75 | V |
| Collector Emitter Saturation Voltage | $V_{CE(sat)^*}$ | $I_C=10mA, I_B=1mA$ | <0.4 | | 0.20 | V |

NPN SILICON PLANAR EPITAXIAL TRANSISTOR

CSC458



TO-92
Plastic Package

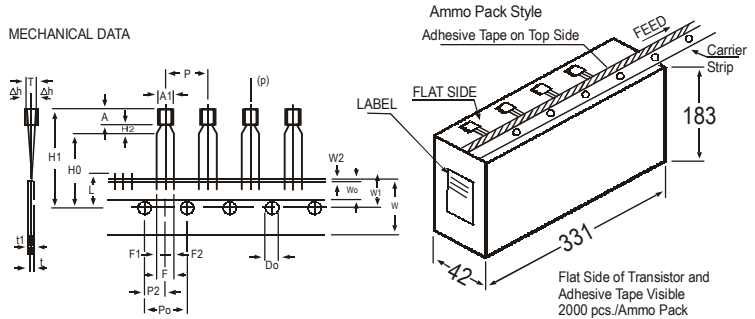
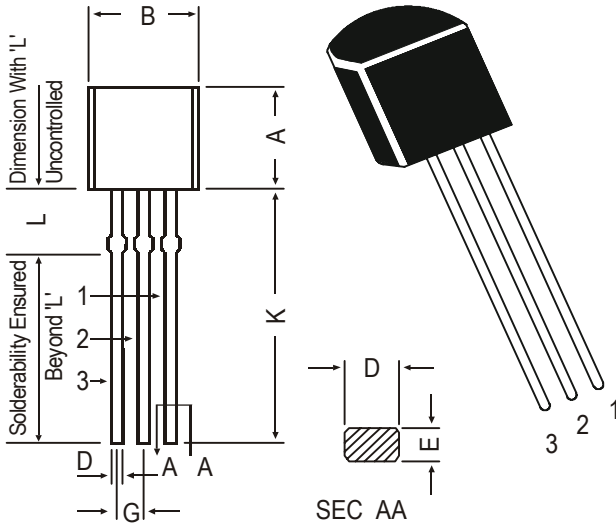
ELECTRICAL CHARACTERISTICS (Ta=25°C unless specified otherwise)

| DESCRIPTION | SYMBOL | TEST CONDITION | MIN | TYP | MAX | UNIT |
|--------------------------------|------------|---|-----|-----|------|------------------|
| DYNAMIC CHARACTERISTICS | | | | | | |
| Transition Frequency | f_T | $I_C=2mA, V_{CE}=12V$ | | 230 | | MHz |
| Output Capacitance | C_{ob} | $I_E=0, V_{CB}=10V$ $f=1MHz$ | | 3.5 | | pF |
| Input Impedance | h_{ie} | | | | 16.5 | K Ω |
| Output Admittance | h_{oe} | $I_C=0.1mA, V_{CE}=5V$ $f=270Hz$ | | 11 | | μS |
| Voltage Feedback Ratio | h_{re} | | | 70 | | $\times 10^{-6}$ |
| Small Signal Current Gain | $ h_{fe} $ | | | 130 | | |
| Noise Figure | NF | $V_{CE}=6V, I_C=0.1mA$ $R_g=5001K\Omega, f=1KHz$ | | | 10 | dB |

| h_{FE} CLASSIFICATION : | B : | C : | D : |
|---------------------------|---------|---------|---------|
| | 100-200 | 160-320 | 250-500 |

TO-92 Plastic Package

TO-92 Transistors on Tape and Ammo Pack



All dimensions in mm unless specified otherwise

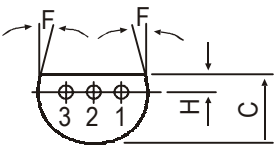
| ITEM | SYMBOL | SPECIFICATION | | | | REMARKS |
|--------------------------------------|--------|---------------|------|-------|--------------|--|
| | | MIN. | NOM. | MAX. | TOL. | |
| BODY WIDTH | A1 | 4.0 | | 4.8 | | |
| BODY HEIGHT | A | 4.8 | | 5.2 | | |
| BODY THICKNESS | T | 3.9 | | 4.2 | | |
| PITCH OF COMPONENT | P | | 12.7 | | ±1 | |
| FEED HOLE PITCH | Po | | 12.7 | | ±0.3 | CUMULATIVE PITCH ERROR 1.0 mm/20 PITCH |
| FEED HOLE CENTRE TO COMPONENT CENTRE | P2 | | 6.35 | | ±0.4 | TO BE MEASURED AT BOTTOM OF CLINCH |
| DISTANCE BETWEEN OUTER LEADS | F | | 5.08 | | +0.6 -0.2 | |
| COMPONENT ALIGNMENT | Δh | | 0 | 1 | | AT TOP OF BODY |
| TAPE WIDTH | W | | 18 | | ±0.5 | |
| HOLD-DOWN TAPE WIDTH | Wo | | 6 | | ±0.2 | |
| HOLE POSITION | W1 | | 9 | | +0.7 -0.5 | |
| HOLD-DOWN TAPE POSITION | W2 | | 0.5 | | ±0.2 | |
| LEAD WIRE CLINCH HEIGHT | Ho | | 16 | | ±0.5 | |
| COMPONENT HEIGHT | H1 | | | 23.25 | | |
| LENGTH OF SNIPPED LEADS | L | | | 11.0 | | |
| FEED HOLE DIAMETER | Do | | 4 | | ±0.2 | |
| TOTAL TAPE THICKNESS | t | | | 1.2 | | t1 0.3 - 0.6 |
| LEAD - TO - LEAD DISTANCE F1, | F2 | | 2.54 | | +0.4 -0.1 | |
| CLINCH HEIGHT | H2 | | | 3 | | |
| PULL - OUT FORCE | (P) | 6N | | | | |

NOTES

1. MAXIMUM ALIGNMENT DEVIATION BETWEEN LEADS NOT TO BE GREATER THAN 0.2 mm.
2. MAXIMUM NON-CUMULATIVE VARIATION BETWEEN TAPE FEED HOLES SHALL NOT EXCEED 1 mm IN 20 PITCHES.
3. HOLDDOWN TAPE NOT TO EXCEED BEYOND THE EDGE(S) OF CARRIER TAPE AND THERE SHALL BE NO EXPOSURE OF ADHESIVE.
4. NO MORE THAN 3 CONSECUTIVE MISSING COMPONENTS ARE PERMITTED.
5. A TAPE TRAILER, HAVING AT LEAST THREE FEED HOLES ARE REQUIRED AFTER THE LAST COMPONENT.
6. SPLICES SHALL NOT INTERFERE WITH THE SPROCKET FEED HOLES.

| DIM | MIN. | MAX. |
|-----|-------|-------|
| A | 4.32 | 5.33 |
| B | 4.45 | 5.20 |
| C | 3.18 | 4.19 |
| D | 0.41 | 0.55 |
| E | 0.35 | 0.50 |
| F | 5 DEG | |
| G | 1.14 | 1.40 |
| H | 1.14 | 1.53 |
| K | 12.70 | — |
| L | 1.982 | 2.082 |

All dimensions in mm.



PIN CONFIGURATION

1. BASE
2. COLLECTOR
3. EMITTER

Packing Detail

| PACKAGE | STANDARD PACK | | INNER CARTON BOX | | OUTER CARTON BOX | | |
|------------|---------------|----------------|-------------------|-----|-------------------|-----|----------|
| | Details | Net Weight/Qty | Size | Qty | Size | Qty | Gr Wt |
| TO-92 Bulk | 1K/polybag | 200 gm/1K pcs | 3" x 7.5" x 7.5" | 5K | 17" x 15" x 13.5" | 80K | 23 kgs |
| TO-92 T&A | 2K/ammo box | 645 gm/2K pcs | 12.5" x 8" x 1.8" | 2K | 17" x 15" x 13.5" | 32K | 12.5 kgs |

Disclaimer

The product information and the selection guides facilitate selection of the CDIL's Discrete Semiconductor Device(s) best suited for application in your product(s) as per your requirement. It is recommended that you completely review our Data Sheet(s) so as to confirm that the Device(s) meet functionality parameters for your application. The information furnished in the Data Sheet and on the CDIL Web Site/CD is believed to be accurate and reliable. CDIL however, does not assume responsibility for inaccuracies or incomplete information. Furthermore, CDIL does not assume liability whatsoever, arising out of the application or use of any CDIL product; neither does it convey any license under its patent rights nor rights of others. These products are not designed for use in life saving/support appliances or systems. CDIL customers selling these products (either as individual Discrete Semiconductor Devices or incorporated in their end products), in any life saving/support appliances or systems or applications do so at their own risk and CDIL will not be responsible for any damages resulting from such sale(s).

CDIL strives for continuous improvement and reserves the right to change the specifications of its products without prior notice.



CDIL is a registered Trademark of

Continental Device India Limited

C-120 Naraina Industrial Area, New Delhi 110 028, India.

Telephone + 91-11-579 6150 Fax + 91-11-579 9569, 579 5290

e-mail sales@cdil.com www.cdil.com