



SDIP-6 1 Mbit/s High Speed Transistor Coupler

Features

- High speed 1Mbit/s
- High isolation voltage between input and output (Viso=5000 Vrms)
- Guaranteed CTR performance from 0°C to 70°C
- Wide operating temperature range of -55°C to 100°C
- Green Package
- Regulatory Approvals
 - UL - UL1577 (E364000)
 - VDE - EN60747-5-5(VDE0884-5)
 - CQC – GB4943.1, GB8898
 - IEC60065, IEC60950

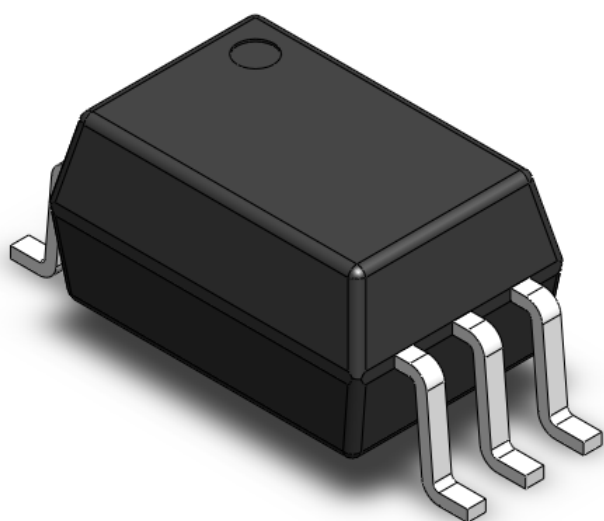
Description

The CTS452 and CTS453 devices each consist of an infrared emitting diode, optically coupled to a high speed photo detector transistor. A separate connection for the photodiode bias and output-transistor collector increase the speed by several orders of magnitude over conventional phototransistor couplers by reducing the base-collector capacitance of the input transistor. The devices are packaged in a SDIP-6 package .

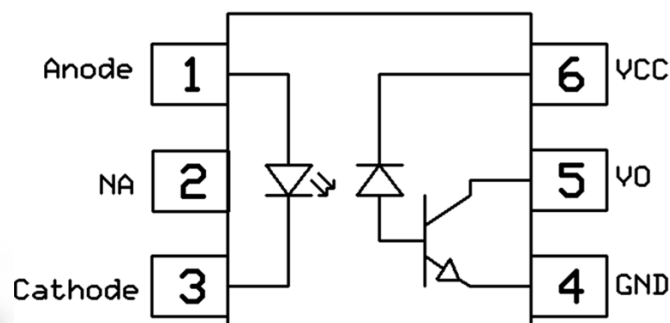
Applications

- Line receivers
- Telecommunication equipment
- Feedback loop in switch-mode power supplies
- Home appliances
- High speed logic ground isolation

Package Outline



Schematic





CTS452, CTS453

SDIP-6 1 Mbit/s High Speed Transistor Coupler

Absolute Maximum Rating at 25°C

| Symbol | Parameters | Ratings | Units | Notes |
|-----------------------|------------------------------------------|----------------|------------------|--------------|
| V _{ISO} | Isolation voltage *1 | 5000 | V _{RMS} | |
| T _{OPR} | Operating temperature | -55 ~ +100 | °C | |
| T _{STG} | Storage temperature | -55 ~ +125 | °C | |
| T _{SOL} | Soldering temperature *2 | 260 | °C | |
| Emitter | | | | |
| I _F | Forward current | 25 | mA | |
| I _{FP} | Peak forward current (50% duty, 1ms P.W) | 50 | mA | |
| I _{F(TRANS)} | Peak transient current (≤1μs P.W,300pps) | 1 | A | |
| V _R | Reverse voltage | 5 | V | |
| P _D | Power dissipation | 45 | mW | |
| Detector | | | | |
| P _D | Power dissipation | 100 | mW | |
| I _{O(AVG)} | Average Output current | 8 | mA | |
| I _{O(Peak)} | Peak Output current | 16 | mA | |
| V _O | Output voltage | -0.5 to 20 | V | |
| V _{CC} | Supply voltage | -0.5 to 30 | V | |



SDIP-6 1 Mbit/s High Speed Transistor Coupler

Electrical Characteristics

$T_A = 0 - 70^\circ\text{C}$ (unless otherwise specified). Typical values are measured at $T_A = 25^\circ\text{C}$ and $V_{CC}=5\text{V}$

Emitter Characteristics

| Symbol | Parameters | Test Conditions | Min | Typ | Max | Units | Notes |
|-------------------------|--------------------------------------------|-----------------------|-----|------|-----|----------------------|-------|
| V_F | Forward voltage | $I_F = 16\text{mA}$ | - | 1.45 | 1.6 | V | |
| V_R | Reverse Voltage | $I_R = 10\mu\text{A}$ | 5.0 | - | - | V | |
| $\Delta V_F/\Delta T_A$ | Temperature coefficient of forward voltage | $I_F = 16\text{mA}$ | - | -1.6 | - | mV/ $^\circ\text{C}$ | |

Detector Characteristics

| Symbol | Parameters | Test Conditions | Min | Typ | Max | Units | Notes |
|-----------|---------------------------|----------------------------------------------------------------------------------------|-----|-------|-----|---------------|-------|
| I_{OH} | Logic High Output Current | $I_F=0\text{mA}$, $V_O=V_{CC}=5.5\text{V}$, $T_A=25^\circ\text{C}$ | - | 0.001 | 0.5 | μA | |
| | | $I_F=0\text{mA}$, $V_O=V_{CC}=15\text{V}$, $T_A=25^\circ\text{C}$ | - | 0.01 | 1 | | |
| | | $I_F=0\text{mA}$, $V_O=V_{CC}=15\text{V}$ | - | - | 50 | | |
| I_{CCL} | Logic Low Supply Current | $I_F=16\text{mA}$, $V_O=\text{Open}$, $V_{CC}=15\text{V}$ | - | 120 | 200 | μA | |
| I_{CCH} | Logic High Supply Current | $I_F=0\text{mA}$, $V_O=\text{Open}$, $V_{CC}=15\text{V}$, $T_A=25^\circ\text{C}$ | - | 0.01 | 1 | μA | |
| | | $I_F=0\text{mA}$, $V_O=\text{Open}$, $V_{CC}=15\text{V}$ | - | - | 2 | | |



SDIP-6 1 Mbit/s High Speed Transistor Coupler

Electrical Characteristics

$T_A = 0 - 70^\circ\text{C}$ (unless otherwise specified). Typical values are measured at $T_A = 25^\circ\text{C}$ and $V_{CC}=5\text{V}$

Transfer Characteristics

| Symbol | Parameters | Test Conditions | Min | Typ | Max | Units | Notes |
|----------|--------------------------|------------------------------------------------------------------------------------------|-----|-----|-----|-------|-------|
| CTR | Current Transfer Ratio | $I_F=16\text{mA}$, $V_O=0.4\text{V}$, $V_{CC}=4.5\text{V}$, $T_A=25^\circ\text{C}$ | 20 | - | 50 | % | |
| | | $I_F=16\text{mA}$, $V_O=0.5\text{V}$, $V_{CC}=4.5\text{V}$ | 15 | - | - | | |
| V_{OL} | Logic Low Output Voltage | $I_F=16\text{mA}$, $I_O=3\text{mA}$, $V_{CC}=4.5\text{V}$, $T_A=25^\circ\text{C}$ | - | - | 0.4 | V | |
| | | $I_F=16\text{mA}$, $I_O=2.4\text{mA}$, $V_{CC}=4.5\text{V}$ | - | - | 0.5 | | |

Electrical Characteristics

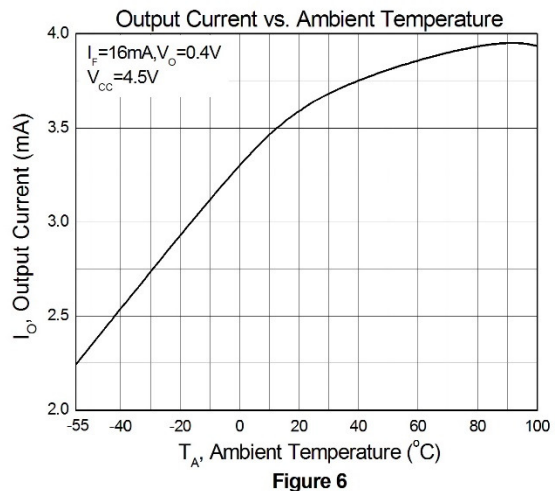
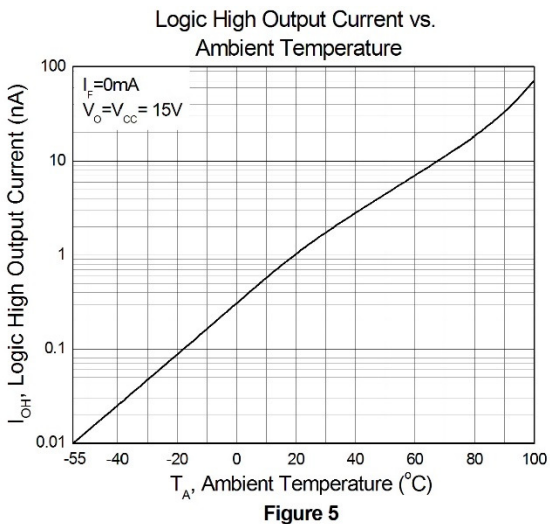
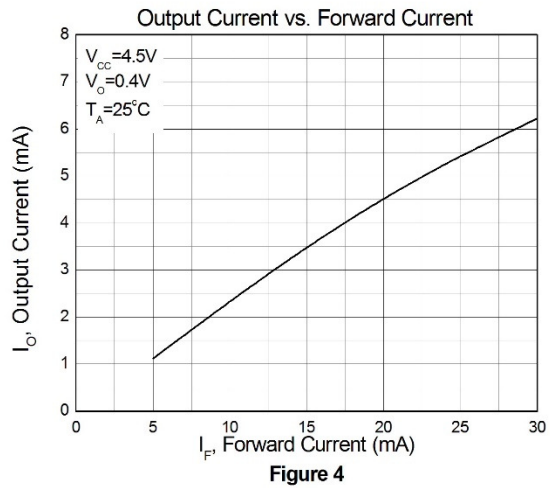
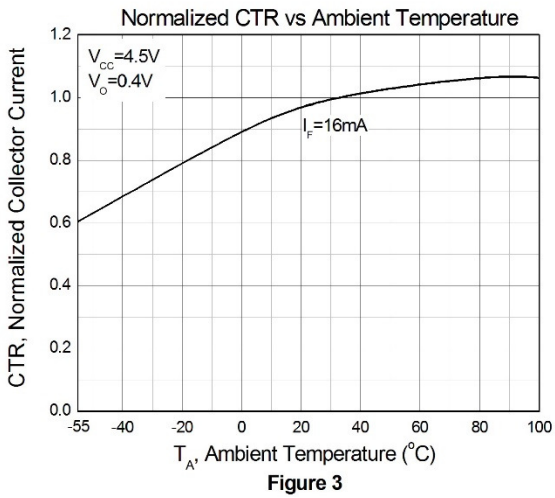
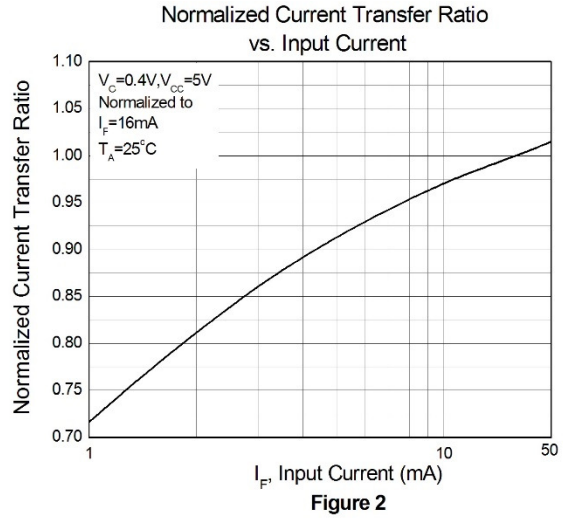
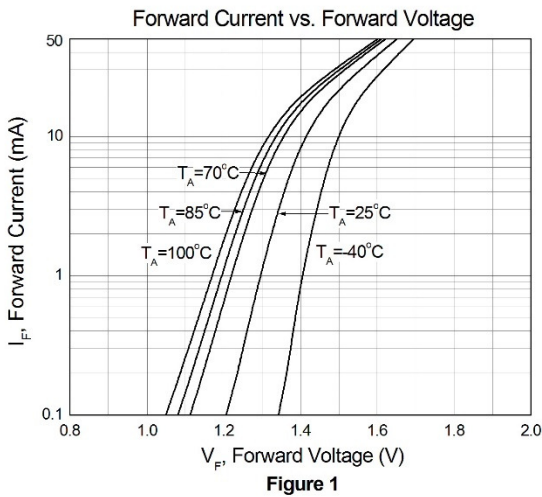
$T_A = 0 - 70^\circ\text{C}$ (unless otherwise specified). Typical values are measured at $T_A = 25^\circ\text{C}$ and $V_{CC}=5\text{V}$

Switching Characteristics

| Symbol | Parameters | Test Conditions | Min | Typ | Max | Units | Notes |
|-----------|------------------------------------------------|----------------------------------------------------------------------------------------------------------------|--------|------|-----|------------------------|-------|
| T_{PHL} | Propagation Delay Time Logic High to Logic Low | $I_F=16\text{mA}$, $R_L=1.9\text{K}\Omega$, $T_A=25^\circ\text{C}$ | - | 0.35 | 0.8 | μs | |
| | | $I_F=16\text{mA}$, $R_L=1.9\text{K}\Omega$ | - | - | 1.0 | | |
| T_{PLH} | Propagation Delay Time Logic Low to Logic High | $I_F=16\text{mA}$, $R_L=1.9\text{K}\Omega$, $T_A=25^\circ\text{C}$ | - | 0.3 | 0.8 | μs | |
| | | $I_F=16\text{mA}$, $R_L=1.9\text{K}\Omega$ | - | - | 1.0 | | |
| CM_H | Common Mode Transient Immunity at Logic High | CTS452 $I_F = 0\text{mA}$, $V_{CM}=10\text{Vp-p}$, $R_L=1.9\text{K}\Omega$, $T_A=25^\circ\text{C}$ | 5,000 | - | - | $\text{V}/\mu\text{s}$ | |
| | | CTS453 $I_F = 0\text{mA}$, $V_{CM}=1500\text{Vp-p}$, $R_L=1.9\text{K}\Omega$, $T_A=25^\circ\text{C}$ | 15,000 | - | - | | |
| CM_L | Common Mode Transient Immunity at Logic Low | CTS452 $I_F = 16\text{mA}$, $V_{CM}=10\text{Vp-p}$, $R_L=1.9\text{K}\Omega$, $T_A=25^\circ\text{C}$ | 5,000 | - | - | $\text{V}/\mu\text{s}$ | |
| | | CTS453 $I_F = 16\text{mA}$, $V_{CM}=1500\text{Vp-p}$, $R_L=1.9\text{K}\Omega$, $T_A=25^\circ\text{C}$ | 15,000 | - | - | | |



Typical Characteristic Curves





SDIP-6 1 Mbit/s High Speed Transistor Coupler

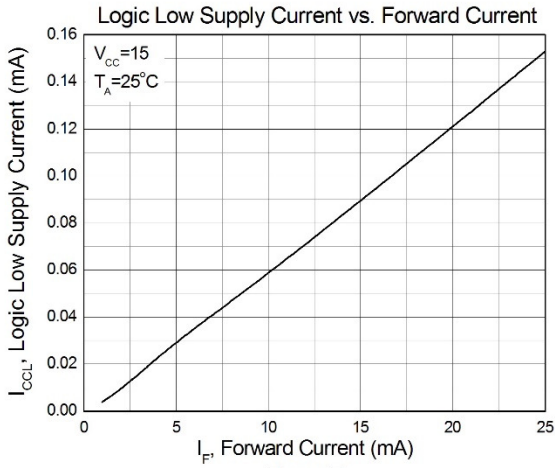


Figure 7

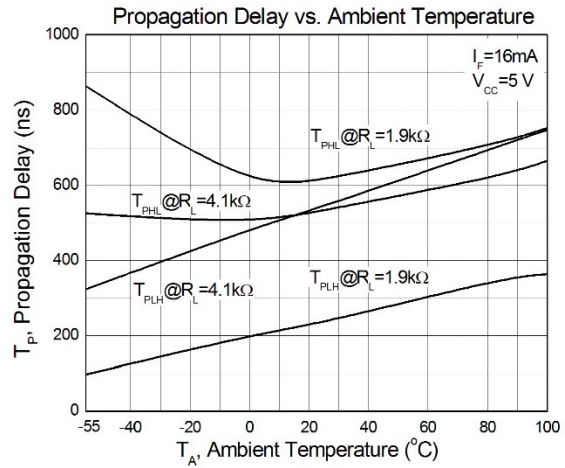


Figure 8

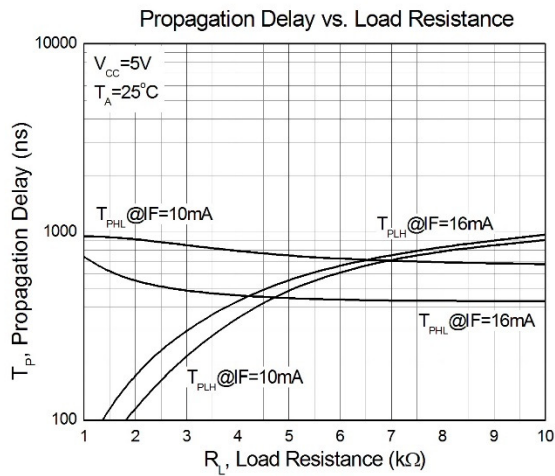
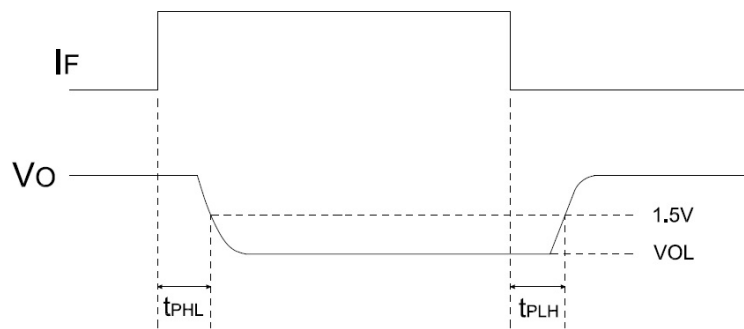
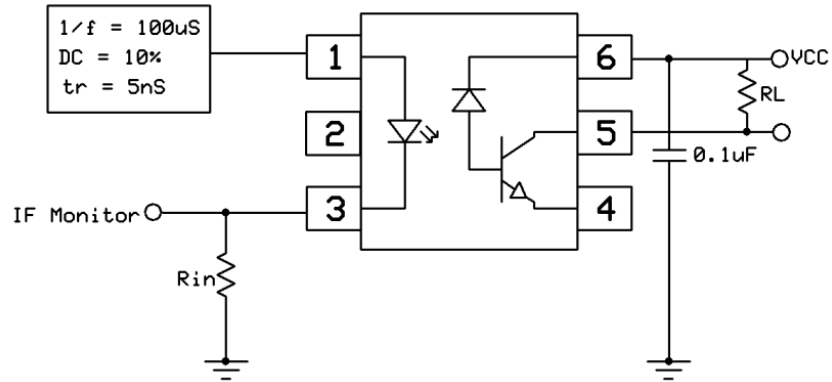


Figure 9



SDIP-6 1 Mbit/s High Speed Transistor Coupler

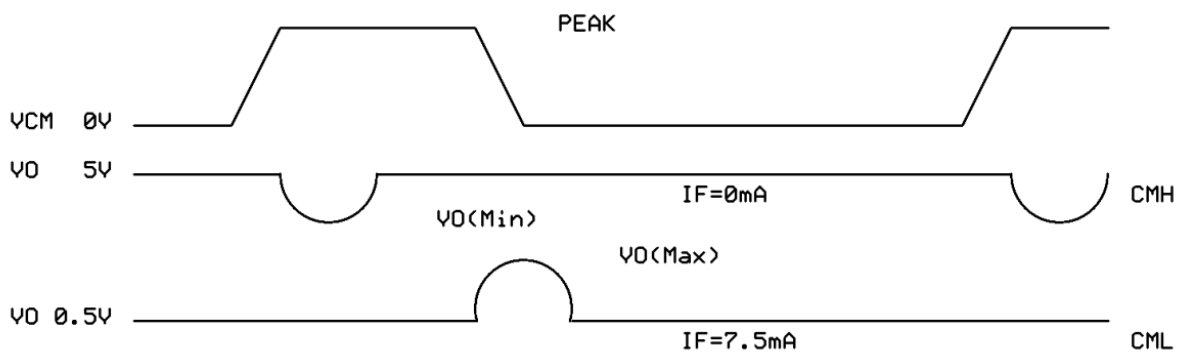
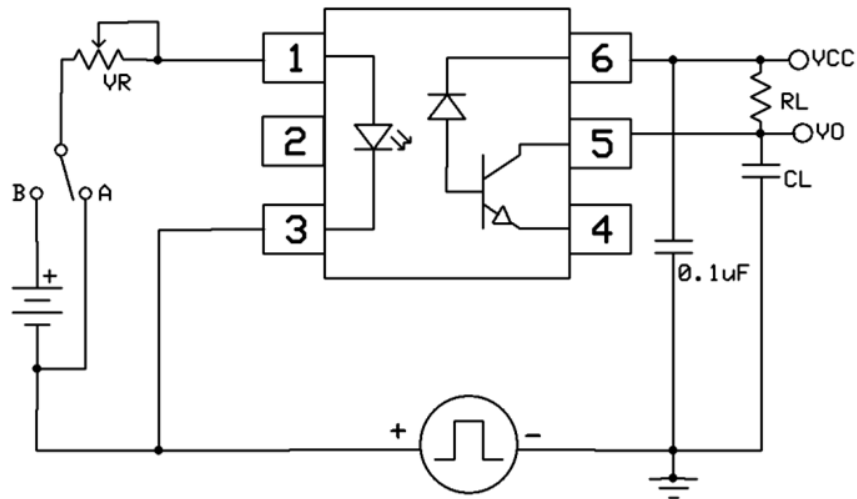
Test Circuits



Switching Time Test Circuit



Test Circuits

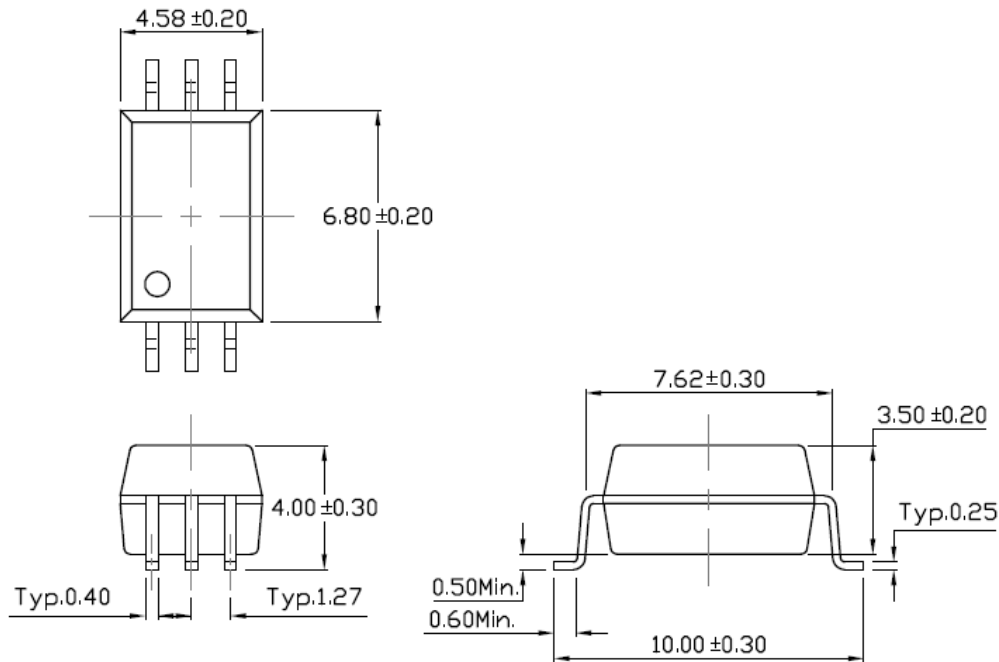


CMR Test Circuit

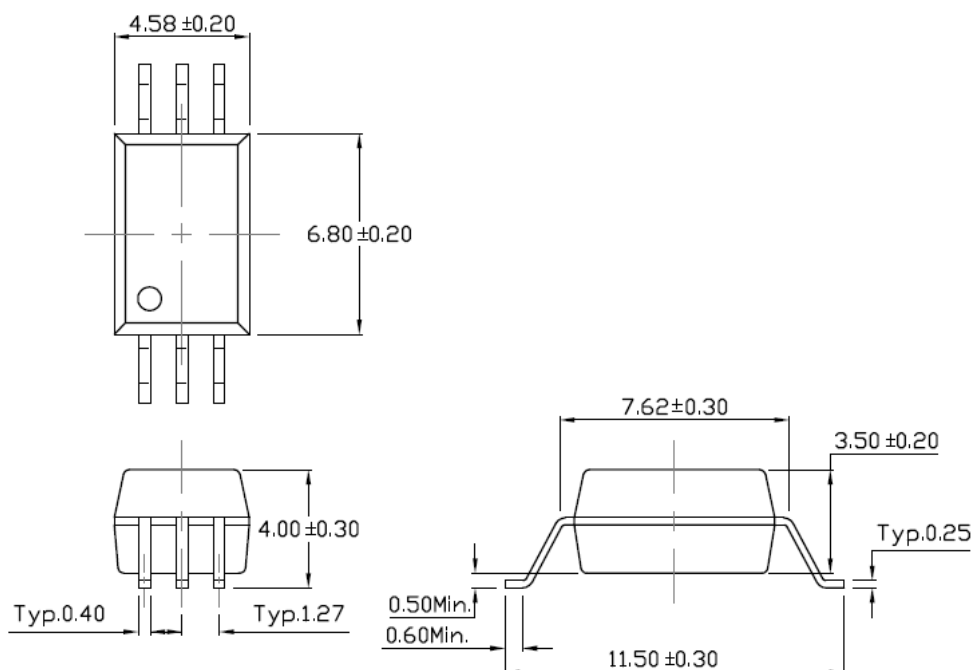


Package Dimension *Dimensions in mm unless otherwise stated*

Surface Mount Lead Forming



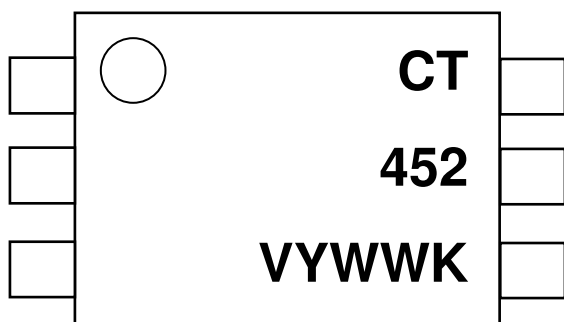
Surface Mount (Gullwing) Lead Forming (M Type)





SDIP-6 1 Mbit/s High Speed Transistor Coupler

Device Marking



Note:

- CT : Denotes “CT Micro”
- 452 : Part Number
- V : VDE Option
- Y : Fiscal Year
- WW : Work Week
- K : Manufacturing Code

Ordering Information

CTS45X(V)(Z)

X = Part No. (X=2 or 3)

V = VDE Option (V or none)

Z = Tape and reel option (T1 or T2)

| Option | Description | Quantity |
|---------------|------------------------------------------------------------|-----------------|
| T1 | Surface Mount Lead Forming with Option 1 Taping | 1500 Units/Reel |
| T2 | Surface Mount Lead Forming with Option 2 Taping | 1500 Units/Reel |
| (M)(T1) | Surface Mount (Gullwing) Lead Forming with Option 1 Taping | 1500 Units/Reel |
| (M)(T2) | Surface Mount (Gullwing) Lead Forming with Option 2 Taping | 1500 Units/Reel |

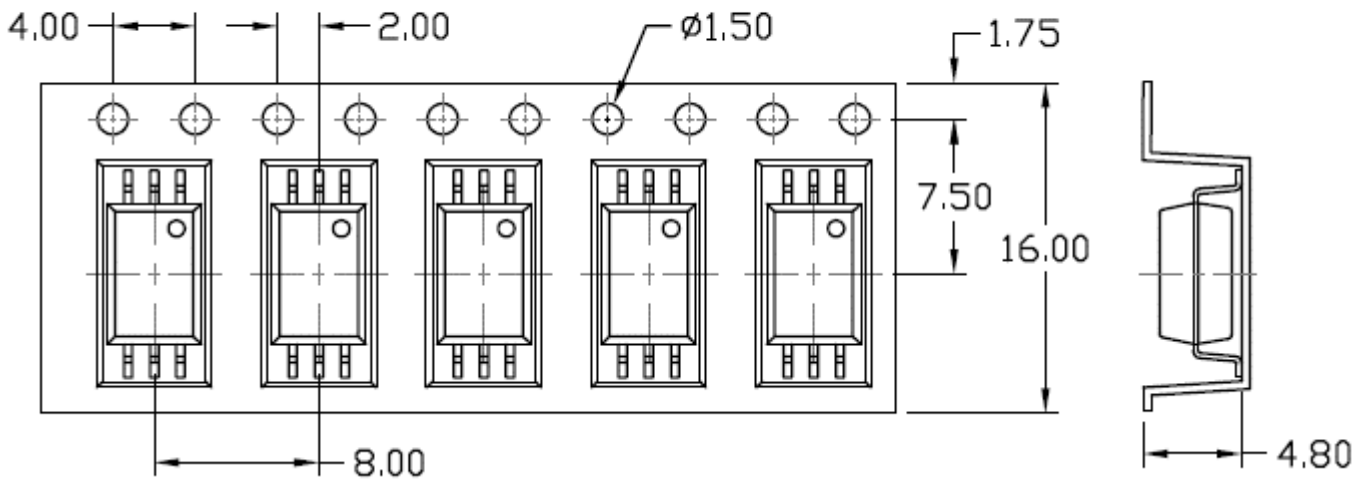


SDIP-6 1 Mbit/s High Speed Transistor Coupler

Carrier Tape Specifications *Dimensions in mm unless otherwise stated*

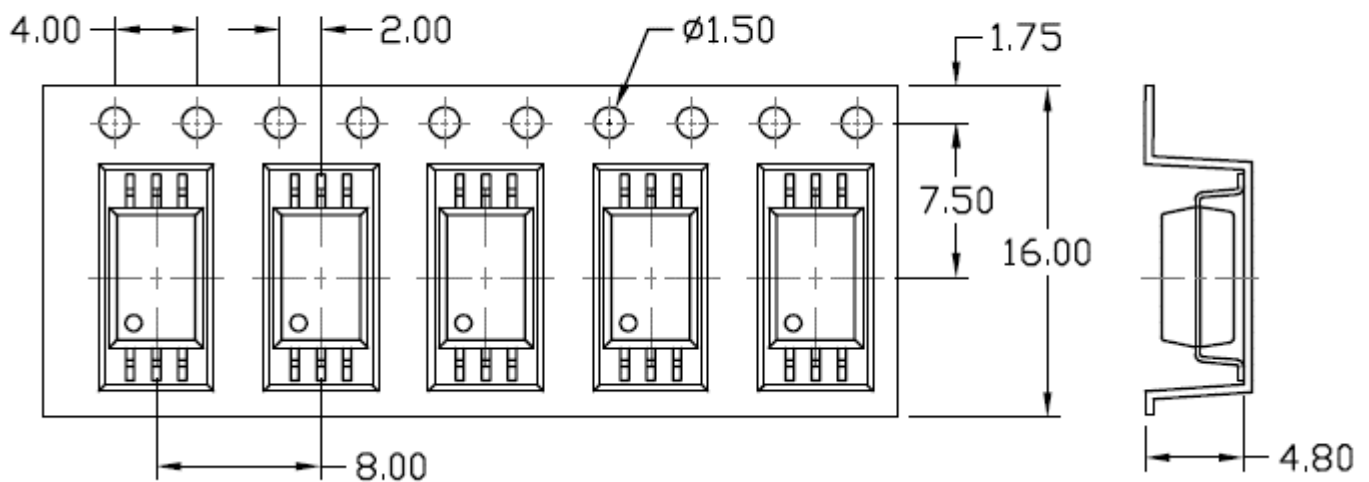
Option T1

Input Direction
→



Option T2

Input Direction
→

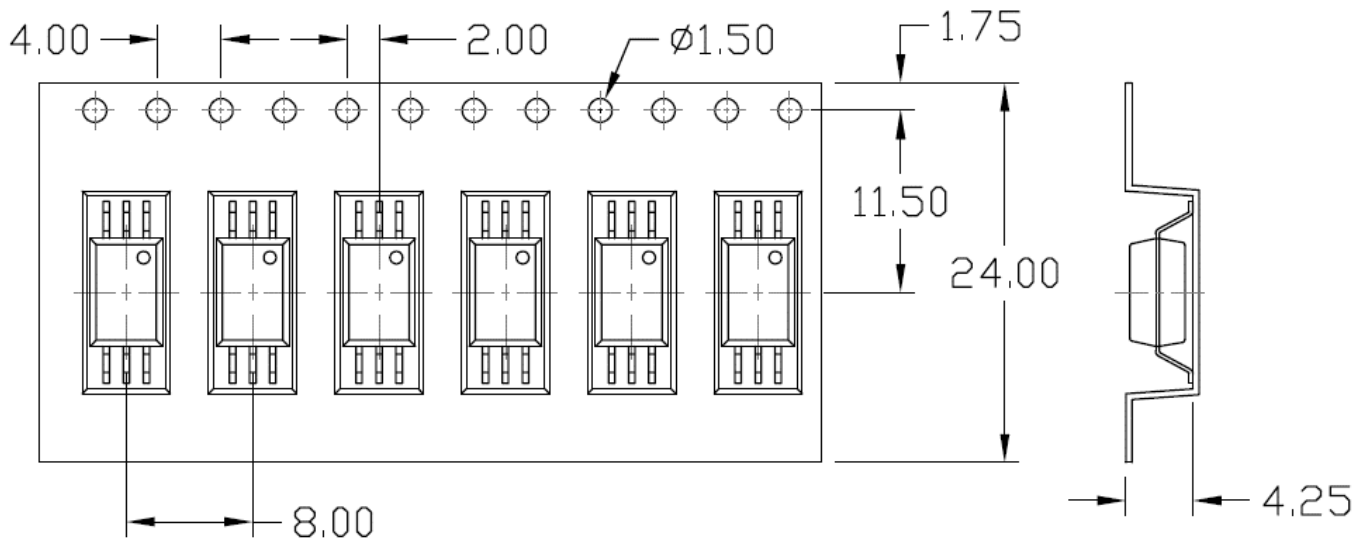




SDIP-6 1 Mbit/s High Speed Transistor Coupler

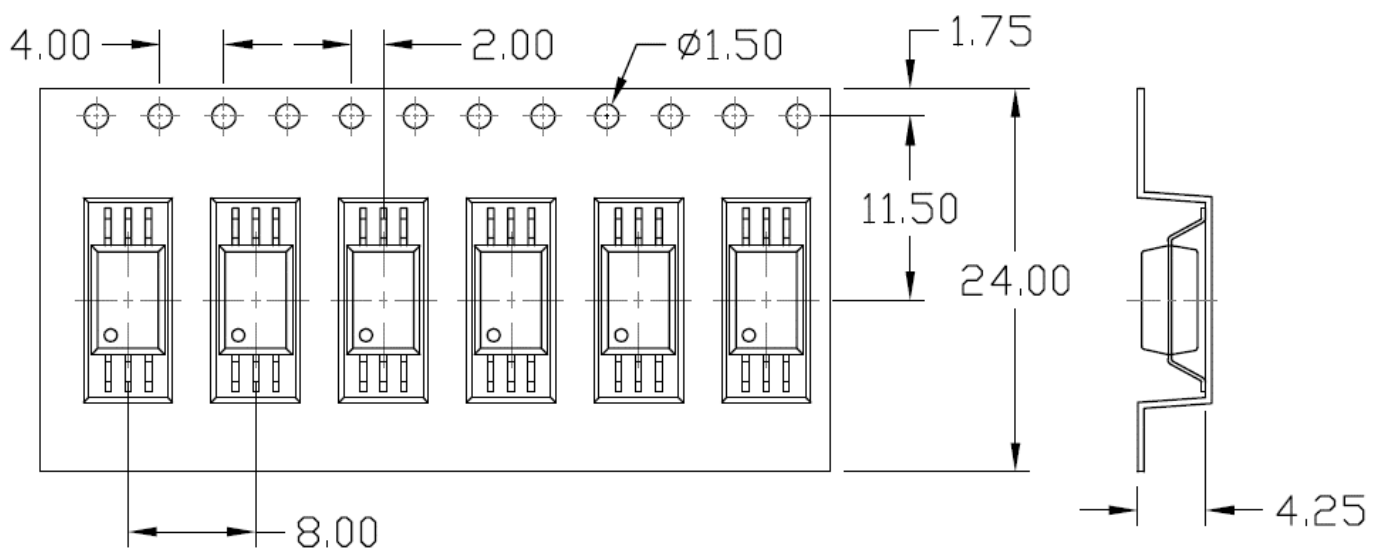
Option (M)(T1)

Input Direction



Option (M)(T2)

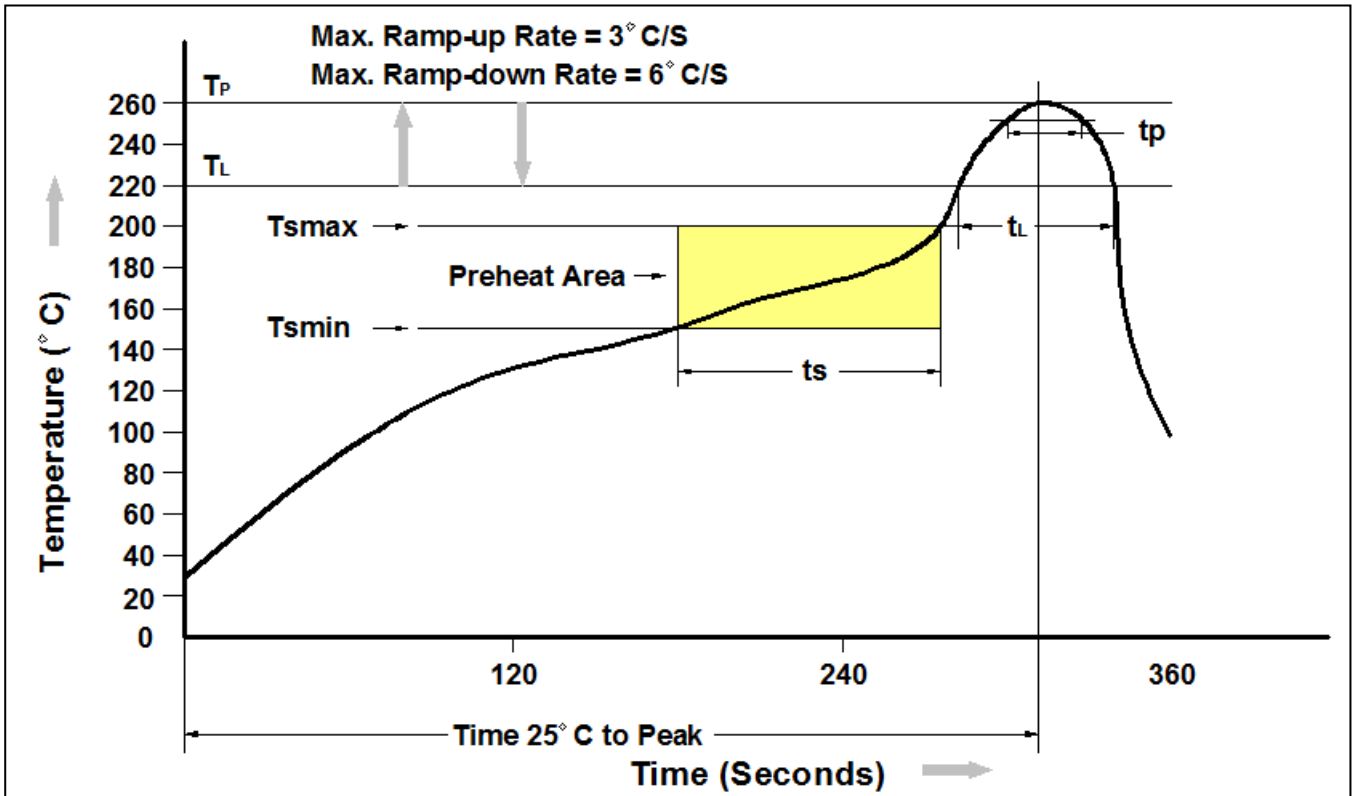
Input Direction





SDIP-6 1 Mbit/s High Speed Transistor Coupler

Reflow Profile



| Profile Feature | Pb-Free Assembly Profile |
|--------------------------------------------------|--------------------------|
| Temperature Min. (T_{smin}) | 150 °C |
| Temperature Max. (T_{smax}) | 200 °C |
| Time (t_s) from (T_{smin} to T_{smax}) | 60-120 seconds |
| Ramp-up Rate (t_L to t_P) | 3°C/second max. |
| Liquidous Temperature (T_L) | 217 °C |
| Time (t_L) Maintained Above (T_L) | 60 – 150 seconds |
| Peak Body Package Temperature | 260 °C +0 °C / -5 °C |
| Time (t_P) within 5 °C of 260 °C | 30 seconds |
| Ramp-down Rate (T_P to T_L) | 6°C/second max |
| Time 25 °C to Peak Temperature | 8 minutes max. |



SDIP-6 1 Mbit/s High Speed Transistor Coupler

DISCLAIMER

CT MICRO RESERVES THE RIGHT TO MAKE CHANGES WITHOUT FURTHER NOTICE TO ANY PRODUCTS HEREIN TO IMPROVE RELIABILITY, FUNCTION OR DESIGN. CT MICRO DOES NOT ASSUME ANY LIABILITY ARISING OUT OF THE APPLICATION OR USE OF ANY PRODUCT OR CIRCUIT DESCRIBED HEREIN; NEITHER DOES IT CONVEY ANY LICENSE UNDER ITS PATENT RIGHTS, NOR THE RIGHTS OF OTHERS.

CT MICRO ARE NOT AUTHORIZED FOR USE AS CRITICAL COMPONENTS IN LIFE SUPPORT DEVICES OR SYSTEMS WITHOUT EXPRESS WRITTEN APPROVAL OF CT MICRO INTERNATIONAL CORPORATION.

- 1. Life support devices or systems are devices or systems which, (a) are intended for surgical implant into the body, or (b) support or sustain life, or (c) whose failure to perform when properly used in accordance with instruction for use provided in the labelling, can be reasonably expected to result in significant injury to the user.*
- 2. A critical component is any component of a life support device or system whose failure to perform can be reasonably expected to cause the failure of the life support device or system, or to affect its safety or effectiveness.*