

PLATON TRIMMABLE PLASTIC PADDLE FLOW SWITCHES

The V8 paddle flow switch is ideal for protection of unattended equipment from damage or loss of production.

Operation is simple and dependable. In most applications, the switch is normally off while there is sufficient flow of liquid or air. When flow stops, the vane spring moves the vane, actuating a single pole double throw switch rated at 5A 120/250Vac to start or stop a motor, pump, engine, etc; operate a damper or valve; shut down a burner or actuate an alarm or signal.

The V8 Flow Switch has a leak proof body and vane constructed of tough durable Polyhenylene Sulfide (equivalent to RYTON®) which has excellent chemical resistance. The full size trimmable vane is provided with moulded-in graduations allowing for installation in pipes from 1 inch to 6 inch diameter. The V8 control is UL recognized as an industrial motor controller per UL standard 508, suitable for mounting in a protected environment.

APPLICATIONS

Applications are chemical processing, air conditioning, refrigeration, heating systems, cooling systems, machinery, liquid transfer systems, water treatment, food processing and machine tools. Also, other applications compatible with the materials of construction.

IP 65 connection head option is available for weatherproof applications.



Pipe Size	Water L/min (20°C)		Air m ³ /h (ATP)	
	Actuation	De-actuation	Actuation	De-actuation
1"	40.9	34.6	66.3	55.4
1 ¼"	37.2	31.4	63.7	54.7
1 ½"	32.4	25.7	56.7	45.4
2"	41.2	33.4	73.1	62.5
3"	48.8	33.5	89.6	66.0
4"	79.7	52.5	148.9	108.1
6"	170.2	124.7	286.5	233.4

General Note

TT Electronics reserves the right to make changes in product specification without notice or liability. All information is subject to TT Electronics' own data and is considered accurate at time of going to print.

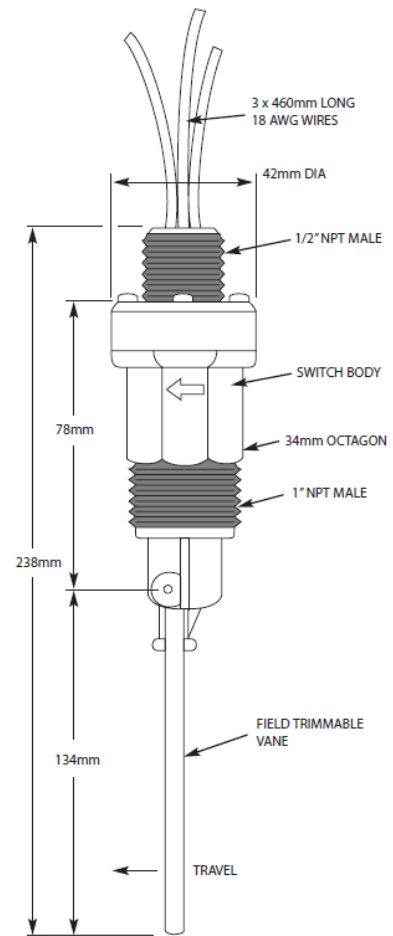
Platon Plastic Paddle FLOW

DS1401



SPECIFICATION

Temperature Limit:	100°C (212oF) maximum.
Pressure Limit:	10 bar (150 psig)
Piping Connection:	1" NPT installed in tee or bushing (not supplied).
Switch:	One SPDT snap action switch 5 A, 125/250 Vac.
Wire:	3 x 460mm 18 AWG.
Overall Length:	238mm.
Vane:	Field trimmable to fit most applications.
Weight:	0.13 kg (4.5 oz)
Switch Body:	Molded Polyphenylene Sulfide (PPS)
Wetted Materials of Construction:	Polyphenylene Sulfide, Ceramic 8 magnet, 316SS pin and spring.
Installation:	IP 67 weatherproof options are also available.



Every effort has been made during the preparation of this document to ensure the accuracy of statements and specifications. However, we do not accept liability for damage, injury, loss or expense caused by errors or omissions made. We reserve the right to withdraw or amend products or documentation without notice.

Head Office: 2 Downgate Drive, Sheffield, S4 8BT, England
Tel: +44(0)114 244 2521 Fax: +44(0)114 243 4838



03HWAR0410

General Note

TT Electronics reserves the right to make changes in product specification without notice or liability. All information is subject to TT Electronics' own data and is considered accurate at time of going to print.

TT Electronics | Roxspur Measurement & Control Ltd
2 Downgate Drive, Sheffield, S4 8BT, England | Ph: +44(0)114 244 2521
www.roxspur.com | sales@roxspur.com