



0.5mm Contact Spacing, ZIF Type Board To FPC Connectors Flip-Lock (Rotatory Cover) EFC-PT24 SERIES (RF/RD)

■ FEATURES

- 0.5mm contact spacing.
- No. of contacts: 4~50 pin.
- Connector Heights: 1.85mm
- Available in embossed type for automatic mounting.

■ SPECIFICATIONS

1.ELECTRICAL

- Voltage rating: 50V (per contact)
- Current rating: 0.5A (per contact)
- Dielectric Withstanding Voltage: 250VAC RMS
- Contact resistance: 20mΩ max. (initial), 40mΩ max. (final)
- Insulation resistance: 50MΩ min.
- Accommodated FFC / FPC Thickness: 0.30mm

2.MECHANICAL

- Durability: Mate & Unmate with applicability for 20 times, Contact resistance: 40mΩ max.
- Operating force (Slider): 0.05kgf*n (0.49N*n) max. (n: Pin)
- Cable holding force: 0.03kgf*n (0.294N*n) min. (n: Pin)
- Contact retention force: 0.1kgf (0.98N) min.

■ MATERIALS

1.MATERIAL

- Contacts: Copper Alloy
- Insulator Housing: High Temp. Thermoplastic
- Slide: High Temp. Thermoplastic
- Hold Down: Copper Alloy

2.PLATING

Contact:

- Nickel In All Area
- Tin over Nickel (RoHS Compliant)
- Au over Nickel (RoHS Compliant)

Hold Down:

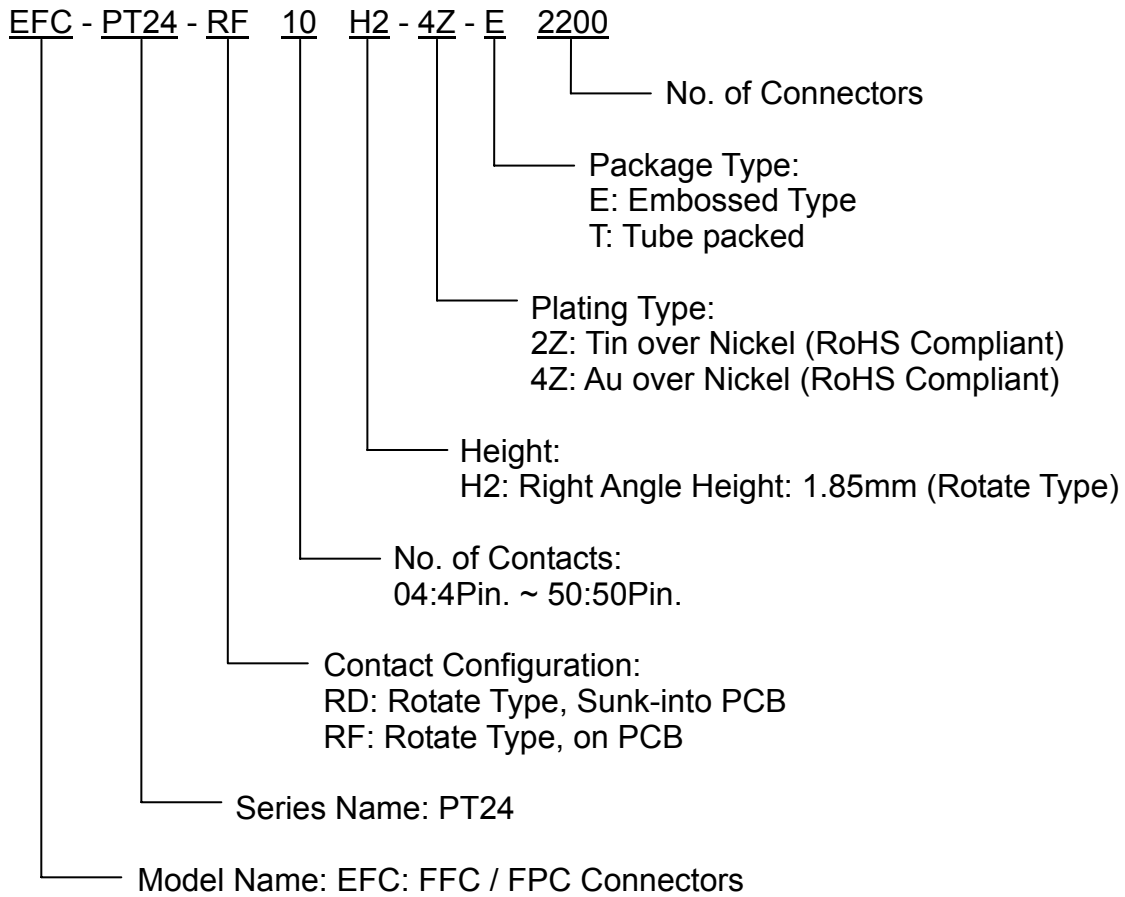
- Tin over Nickel (RoHS Compliant)

■ PACKING

1.Packing method

- All connectors are packed in tube or reel methods.

■ PART NUMBERING SYSTEM



■ DIMENSIONS UNIT:mm

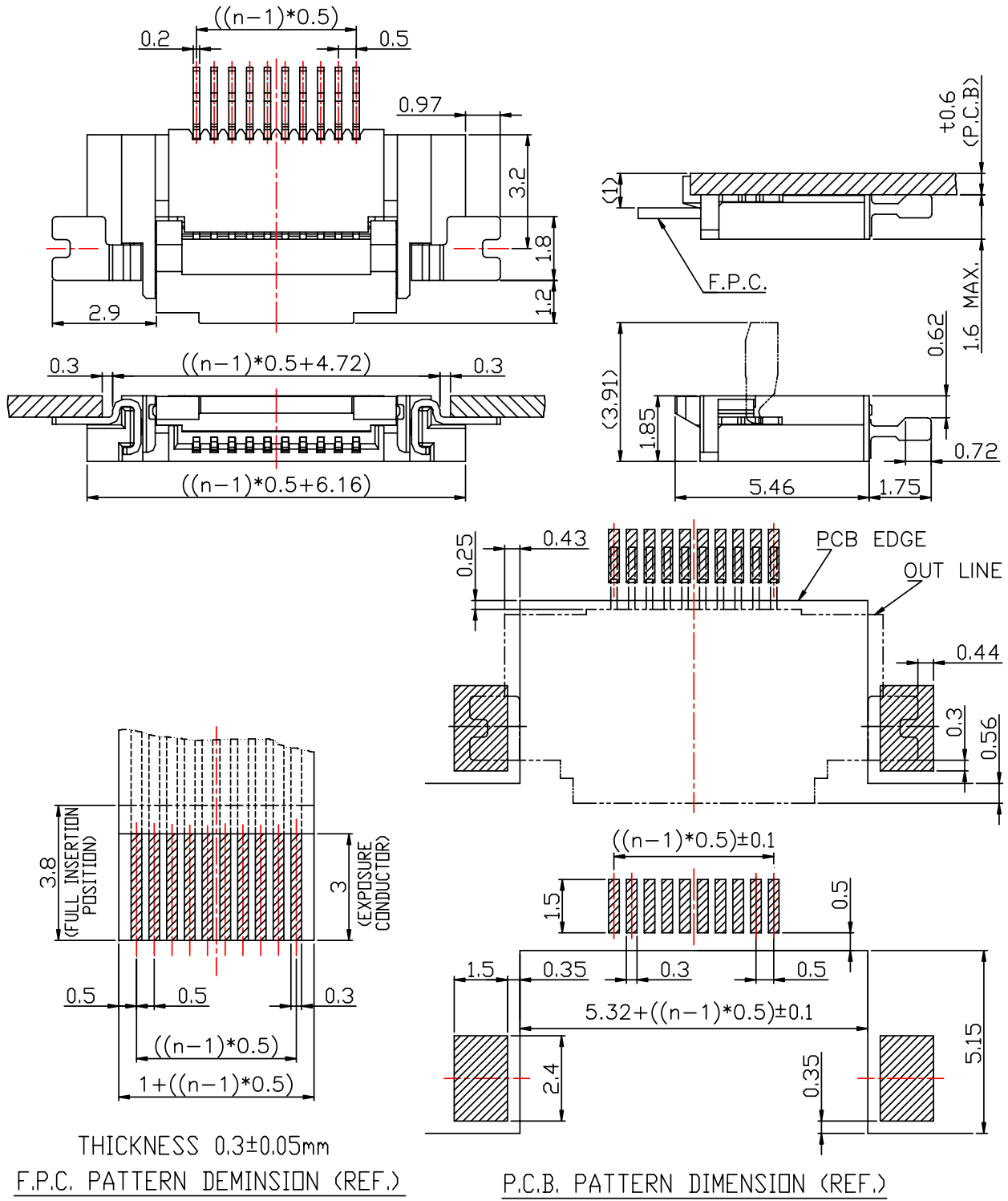
EFC-PT24-RDH2**



EFC-PT24-RFH2**



EFC-PT24-RD**H2 UNIT:mm
 Connection Style: Right Angle Sunk-into PCB.



EFC-PT24-RF**H2 UNIT:mm
 Connection Style: Right Angle □n PCB.

