



6.5mm Contact Spacing, Battery Connectors

EIO-CL26 V TYPE SERIES

■ FEATURES

- 6.5mm contact spacing.
- No. of contact: 3pin.
- Available in embossed type for automatic mounting.

■ SPECIFICATIONS

1.ELECTRICAL

- Voltage rating: 12VDC
- Current rating: 1.5A
- Contact resistance: 30mΩ max.
- Insulation resistance: 10MΩ min.

2.MECHANICAL

- Durability: Mate & Unmate with applicability for 10000 times, Contact resistance: 50mΩ max.
- Normal Force: Measure normal force at contact point deflection 1.1mm, Requirements: 112.2gf min., 153gf max.
- Retention Force: 300gf min.

■ MATERIALS

1.MATERIAL

- Contacts: Copper Alloy
- Insulator Housing:
High Temp. Thermoplastic

2.PLATING

Contact:

- Nickel In All Area
- Tin & Au over Nickel (RoHS Compliant)

■ PACKING

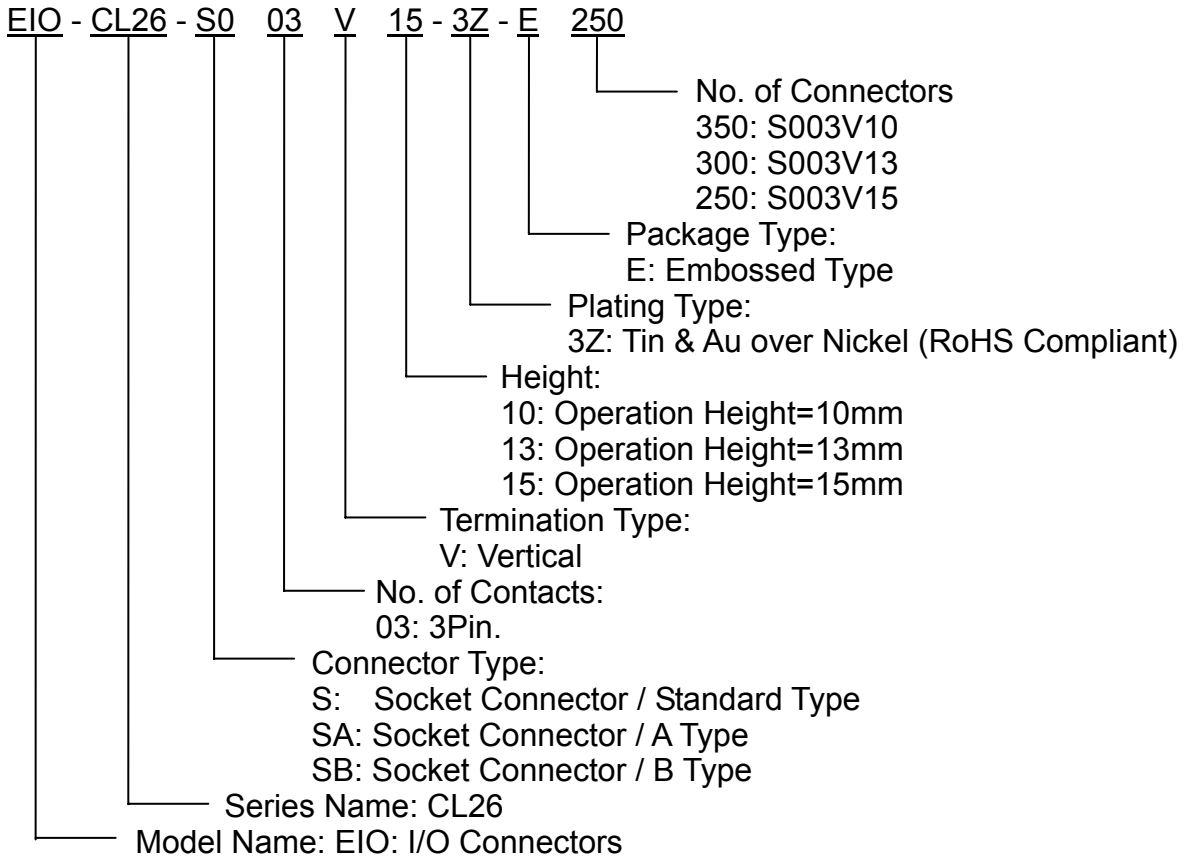
1.Packing method

- All connector are packed in reel method.

2.Information on label (stuck to each ploy bag, reel and box)

- | | | | |
|--------------|------------------|--------------|--------------|
| (1)Part NO. | (2)Section. | (3)Lot NO. | (4)Quantity. |
| (5)QC stamp. | (6)Reprocess NO. | (7)ECE mark. | |

■ PART NUMBERING SYSTEM

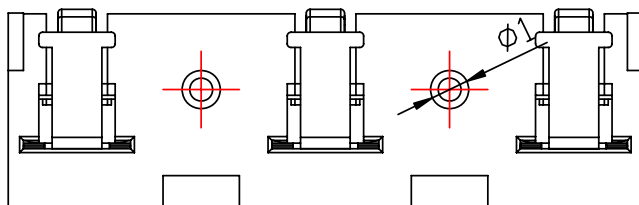
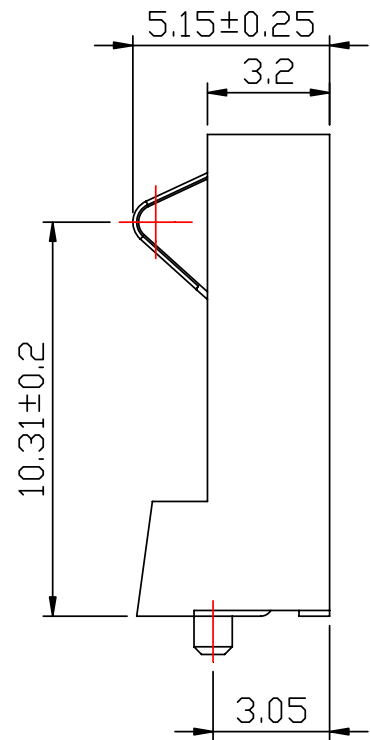
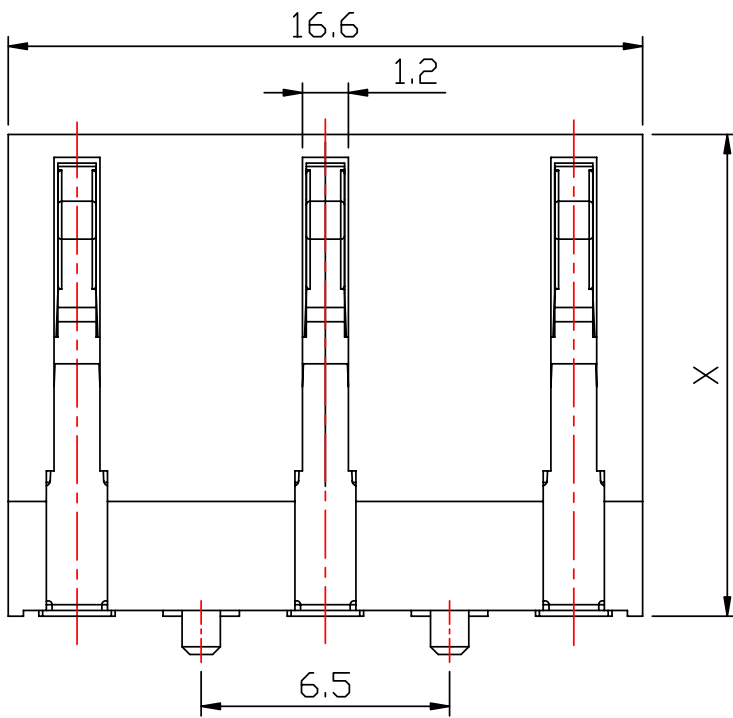
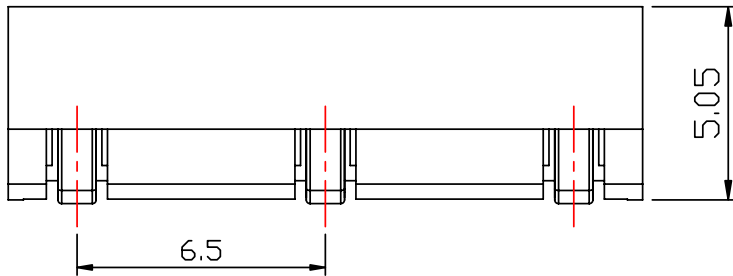


EIO-CL26-S003V*



■ DIMENSIONS UNIT:mm

EIO-CL26-S003Vxx UNIT:mm
 Connection Style: Vertical SMT



Operation Height	X
V10	10.5
V13	12.6
V15	14.9