



## REED SENSOR ELS RS SERIES

### ■ FEATURES

- Does not require power for operation.
- Omni-polar device-actuates with either pole of magnet.
- Various wattage and resistor values are available
- Two magnetic sensitivity bands.

### ■ APPLICATIONS

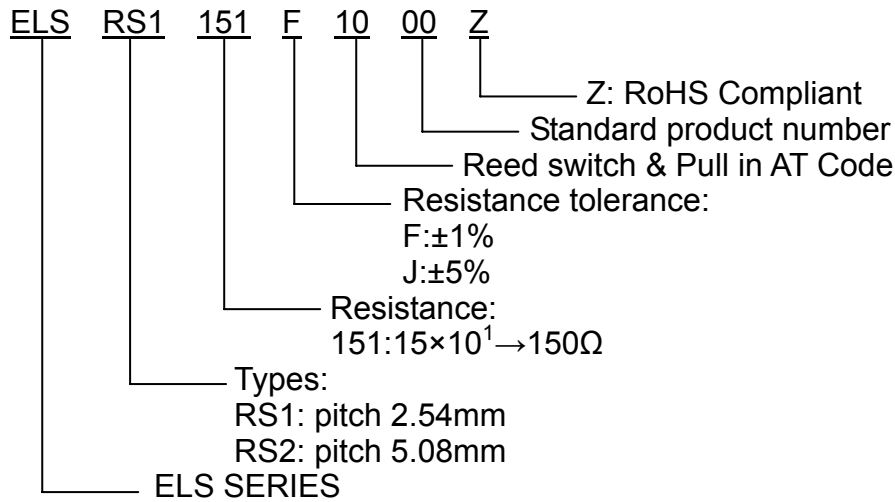
- Security system
- Control equipment
- Automotive device

### ■ SPECIFICATIONS

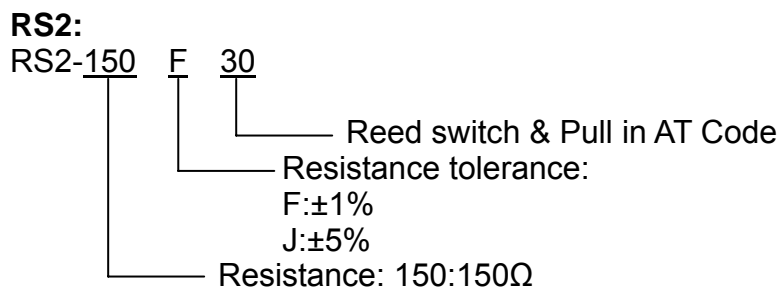
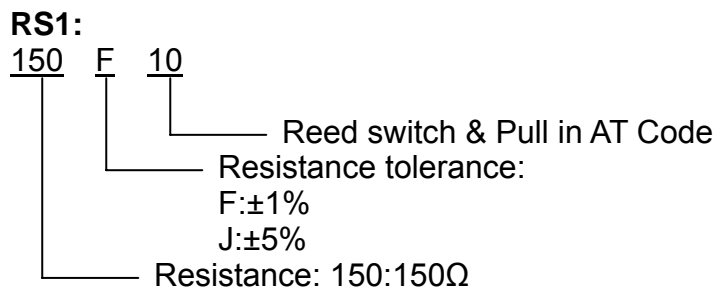
\* Special design available on request

1.Resistor		
● Resistance	150Ω	
● Resistance tolerance:	±1% or ±5%	
● Power rating:	1/4W	
2.Reed Switch Contact Rating		
● Maximum switching power	1VA	10VA
● Maximum switching voltage	24VDC	100VDC
● Maximum switching current	0.1A	0.5A
● Maximum carry current	0.3A	1.0A
● Contact Resistance	150mΩ	150mΩ
● Operate time(including bounce)	1.0ms	1.0ms
● Release time	0.5ms	0.5ms
● Breakdown Voltage	150VDC	200VDC
● Insulation Resistance	10 <sup>9</sup> Ω	10 <sup>9</sup> Ω
● Life expectancy	5×10 <sup>6</sup>	10 <sup>8</sup>
3.Mechanical And Environmental		
● Temperature range:	-40°C to +125°C	
● Solderability:	After flux 245±5°C for 5±0.5 seconds 95% coverage	

## ■ PART NUMBER SYSTEM



## ■ MARKING SYSTEM



**ELS RS**



**■ DIMENSIONS UNIT:mm(inch)**

