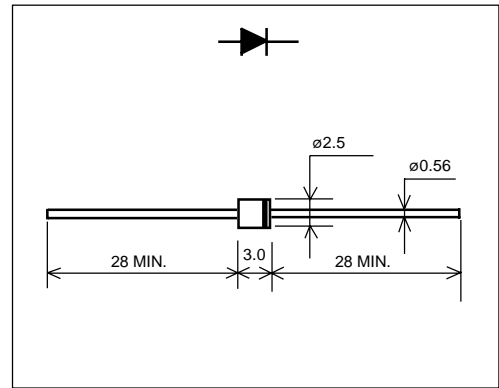


ERA18 (0.8A)

(200, 400V / 0.8A)

FAST RECOVERY DIODE

■ Outline drawings, mm



■ Features

- High speed switching
- Ultra small package
Possible for 5mm pitch automatic insertion
- High reliability

■ Applications

- High speed switching

■ Maximum ratings and characteristics

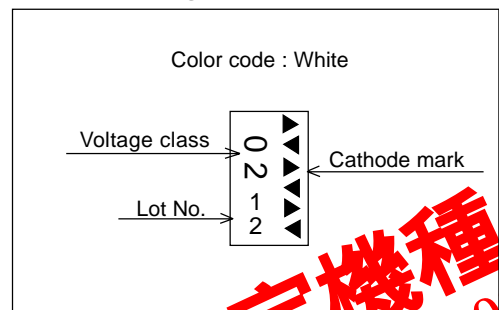
- Absolute maximum ratings

Item	Symbol	Conditions	Rating		Unit
			02	04	
Repetitive peak reverse voltage	V_{RRM}		200	400	V
Non-repetitive peak reverse voltage	V_{RRM}		200	400	V
Average forward current	$I_{F(AV)}$	Resistive load ($T_a=40^\circ\text{C}$)	0.8		A
Surge current	I_{FSM}	Sine wave 10ms	30		A
Operating junction temperature	T_j		-40 to +140		$^\circ\text{C}$
Storage temperature	T_{stg}		-40 to +140		$^\circ\text{C}$

- Electrical characteristics ($T_a=25^\circ\text{C}$ Unless otherwise specified)

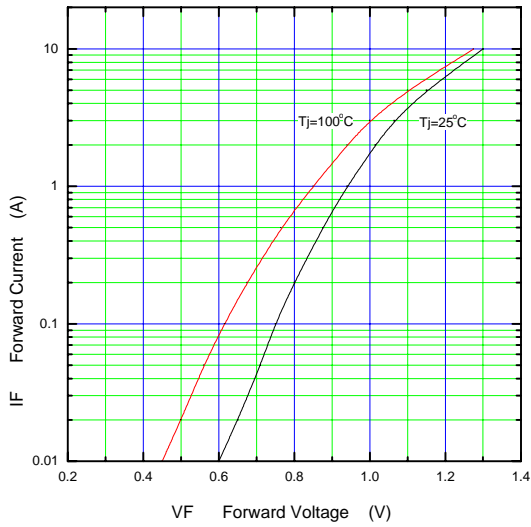
Item	Symbol	Conditions	Max.	Unit
Forward voltage drop	V_{FM}	$I_{FM}=0.8\text{A}$	1.05	V
Reverse current	I_{RRM}	$V_R=V_{RRM}$	10	μA
Reverse recovery time	t_{rr}	$I_F=0.1\text{A}, I_R=0.1\text{A}$	0.4	μs

■ Marking

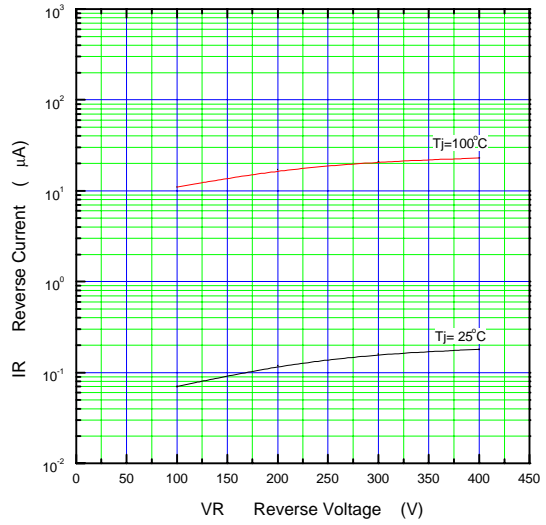


■ Characteristics

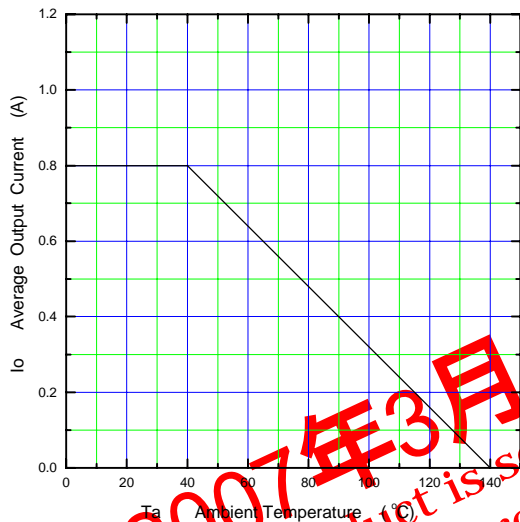
Forward Characteristic (typ.)



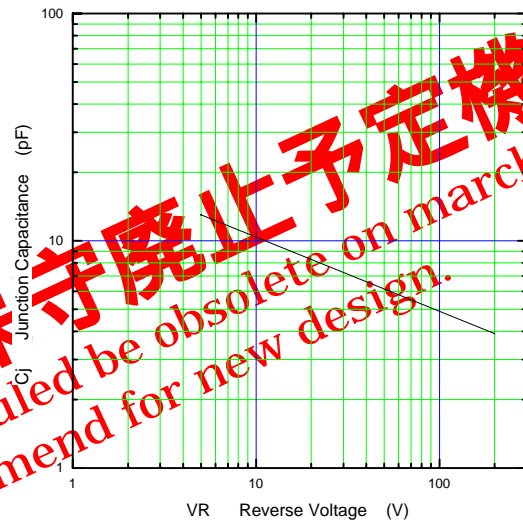
Reverse Characteristic (typ.)



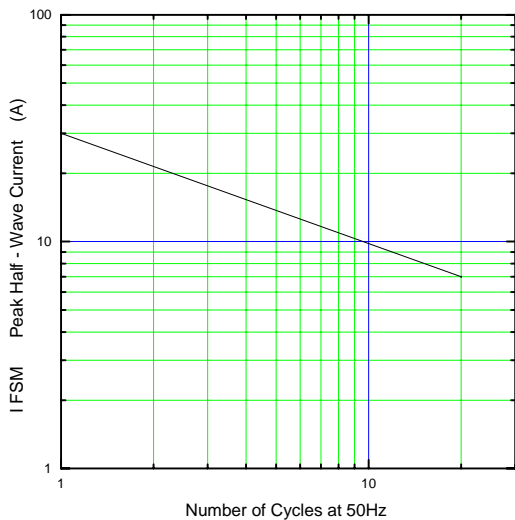
Current Derating (Io-Ta)



Junction Capacitance Characteristic (typ.)



Surge Capability



2007年3月
保守廃止予定機種
This product is scheduled to be obsolete on March 2007.
Not recommend for new design.