



SEMICONDUCTOR

ESD9D5C

Bi-Directional TVS

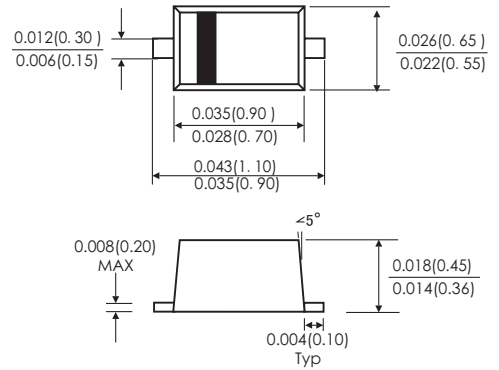
FEATURES

- Bi-Directional Transient Voltage Suppressor
- Low capacitance and Low Leakage
- ESD Protection, IEC61000-4-2 level4
- Low clamping voltage
- RoHS Compliant

MECHANICAL DATA

- Case: SOD-923 molded plastic body
- Lead Finish: Lead Free
- UL Flammability Classification Rating 94V-0

SOD-923



Dimensions in inches and (millimeters)



Absolute Maximum Ratings ($T_A=25^\circ\text{C}$)

Parameter	Symbol	Value	Unit
Peak Pulse Power ($t_p=8/20\mu\text{s}$)	PPP	40	W
Maximum Reverse Peak Pulse Current ($t_p=8/20\mu\text{s}$)	IPP	5.0	A
ESD VOLTAGE IEC61000-4-2 Air	VESD	15	KV
ESD VOLTAGE IEC61000-4-2 Contact		8	
Operating temperature range	TJ	-55 to +125	$^\circ\text{C}$
Storage temperature range	TSTG	-55 to +150	$^\circ\text{C}$

Electrical Characteristics ($T_A=25^\circ\text{C}$)

Parameter	Symbol	Conditions	Min	Typ	Max	Unit
Reverse Working Peak Voltage	V_{RWM}	$I_R=1\mu\text{A}$			5.0	V
Reverse Breakdown Voltage	V_{BR}	$I_T=1\text{mA}$	6.0			V
Reverse Current	I_R	$V_{RWM}=5\text{V}$			1.0	μA
Clamping Voltage	V_C	$I_{PP}=5\text{A}$, $t_p=8/20\mu\text{s}$			9.0	V
Diode Capacitance	C_D	$V_R=0\text{V}$, $f=1\text{MHZ}$		13.5		pF

CHARACTERISTIC CURVES ESD9D5C
