

FAN7071

Landing Correction IC

Features

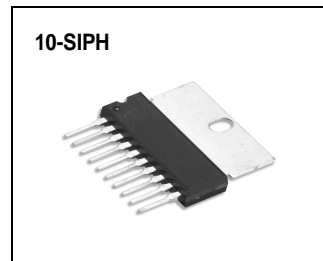
- Built in Power Amplifier (200mA)
- Low Standby Current
- Incorporating 2 Circuit

Typical Applications

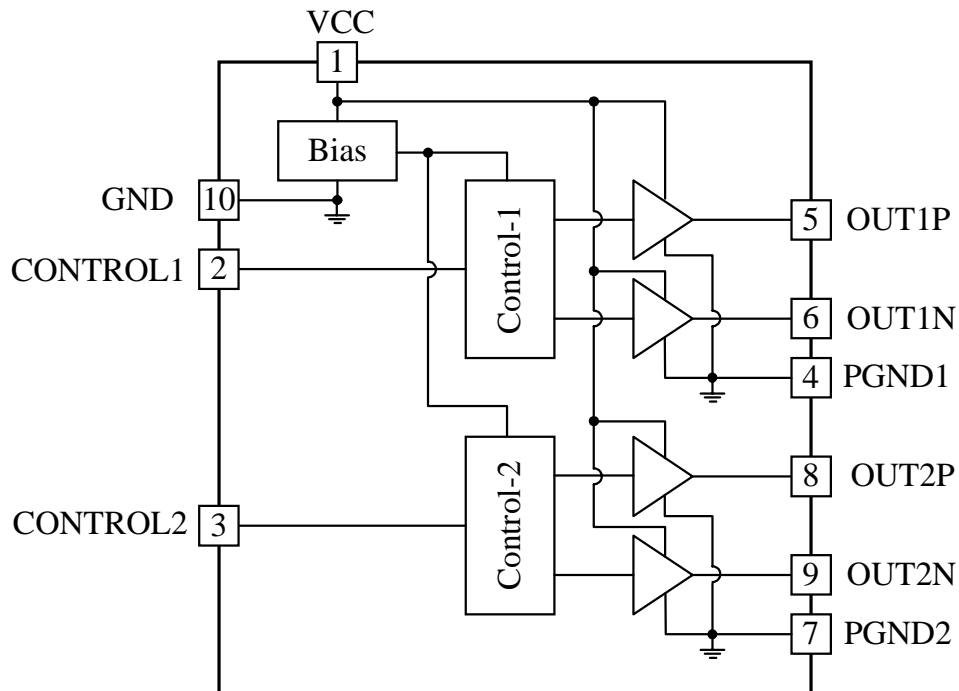
- CRT Monitor

Description

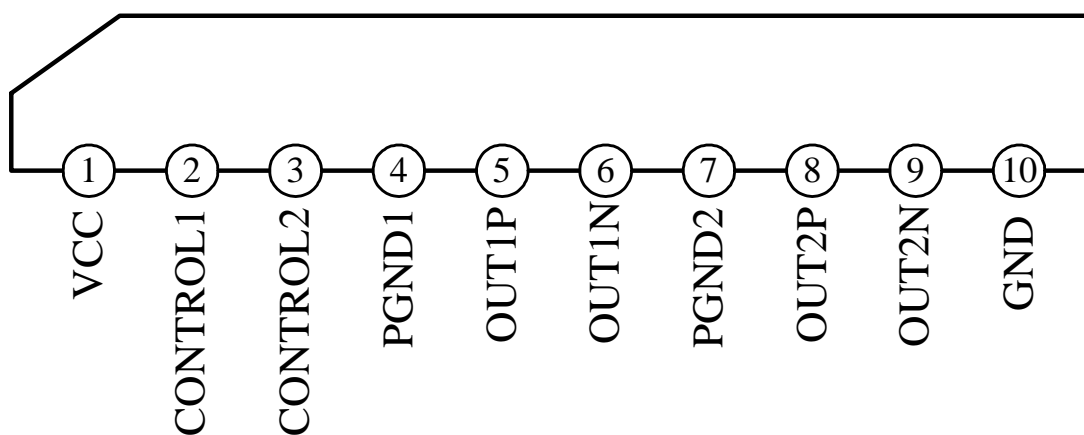
The FAN7071 is an IC to drive a landing correction coil of CRT monitor. The circuit is suitable for low power consumption design



Block Diagram



Pin Assignments



Pin Definitions

Pin Number	Pin Name	Pin Function Description
1	VCC	Supply Voltage
2	CONTROL1	Control Input1
3	CONTROL2	Control Input2
4	PGND1	Output block GND
5	OUT1P	Output1 Positive
6	OUT1N	Output1 Negative
7	PGND2	Output block GND
8	OUT2P	Output2 Positive
9	OUT2N	Output2 Negative
10	GND	GND

Absolute Maximum Ratings (Ta = 25°C)

Parameter	Symbol	Value	Unit	Remark
Maximum Supply Voltage	VCC	13.5	V	Maximum Supply Voltage
Power Dissipation	PD	2	W	-
Operating Temperature	TOPR	-20 ~ +75	°C	Operating Temperature
Storage Temperature	TSTG	-55 ~ +150	°C	Storage Temperature
Thermal Resistance	Rθja	60	°C/W	Thermal Resistance

Recommended Operating Conditions (Ta = 25°C)

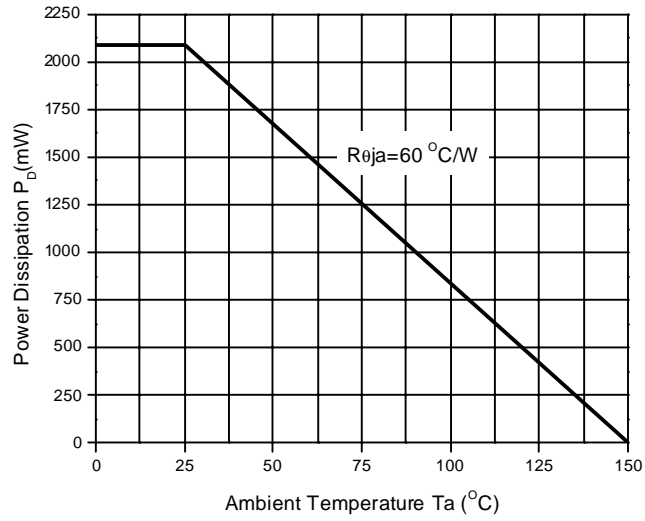
Parameter	Symbol	Min.	Typ.	Max.	Unit
Supply Voltage	VCC	10.8	-	13.2	V
Control Input1 Voltage	VCONTROL1	0	-	5	V
Control Input2 Voltage	VCONTROL2	0	-	5	V
Output1 Positive Current	IOUT1P	-200	-	200	mA
Output1 Negative Current	IOUT1N	-200	-	200	mA
Output2 Positive Current	IOUT2P	-200	-	200	mA
Output2 Negative Current	IOUT2N	-200	-	200	mA
Peak Current	IPEAK1P	-700	-	700	mA
	IPEAK1N	-700	-	700	mA
	IPEAK2P	-700	-	700	mA
	IPEAK2N	-700	-	700	mA

Electrical Characteristics

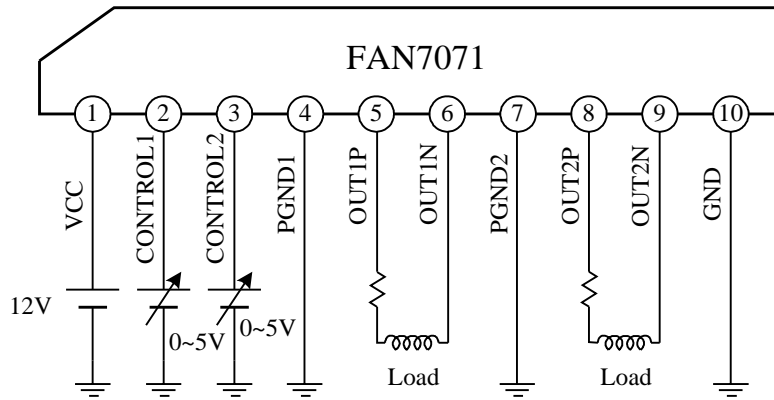
(Ta = 25°C, Unless otherwise specified)

Parameter	Symbol	Conditions	Min.	Typ.	Max.	Unit
Circuit Current	ICC	VCONTROL1 = 2.5V VCONTROL2 = 2.5V	1.5	3.0	4.5	mA
Output1 Positive Voltage	VOUT1P		4.5	4.9	5.3	V
Output1 Negative Voltage	VOUT1N		4.5	4.9	5.3	V
Output2 Positive Voltage	VOUT2P		4.5	4.9	5.3	V
Output2 Negative Voltage	VOUT2N		4.5	4.9	5.3	V
Voltage OUT1N to OUT1P	VOUT1_1	VCONTROL1 = 2.5V	-0.3	0	0.3	V
Voltage OUT1N to OUT1P	VOUT1_2	VCONTROL1 = 5V	6.4	7.0	7.4	V
Voltage OUT1N to OUT1P	VOUT1_3	VCONTROL1 = 0V	-7.4	-7.0	-6.4	V
Voltage OUT2N to OUT2P	VOUT2_1	VCONTROL2 = 2.5V	-0.3	0	0.3	V
Voltage OUT2N to OUT2P	VOUT2_2	VCONTROL2 = 5V	6.4	7.0	7.4	V
Voltage OUT2N to OUT2P	VOUT2_3	VCONTROL2 = 0V	-7.4	-7.0	-6.4	V

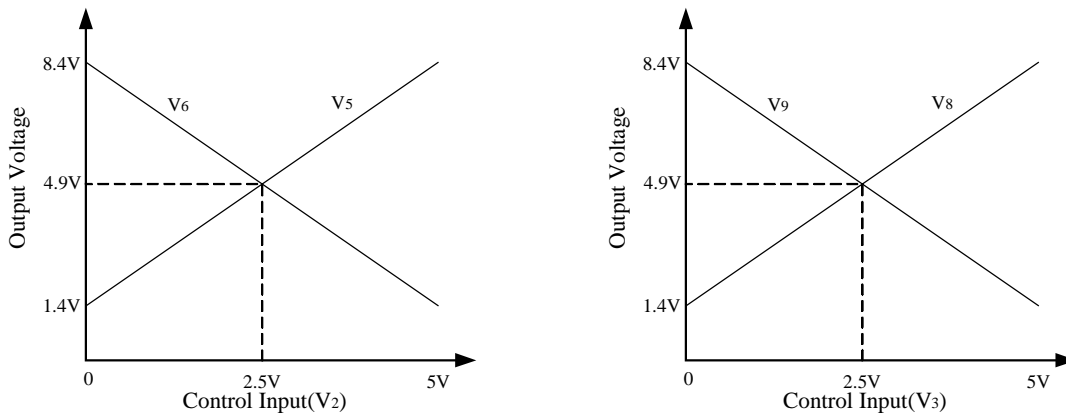
Power Darning Curve



Typical Application Circuit



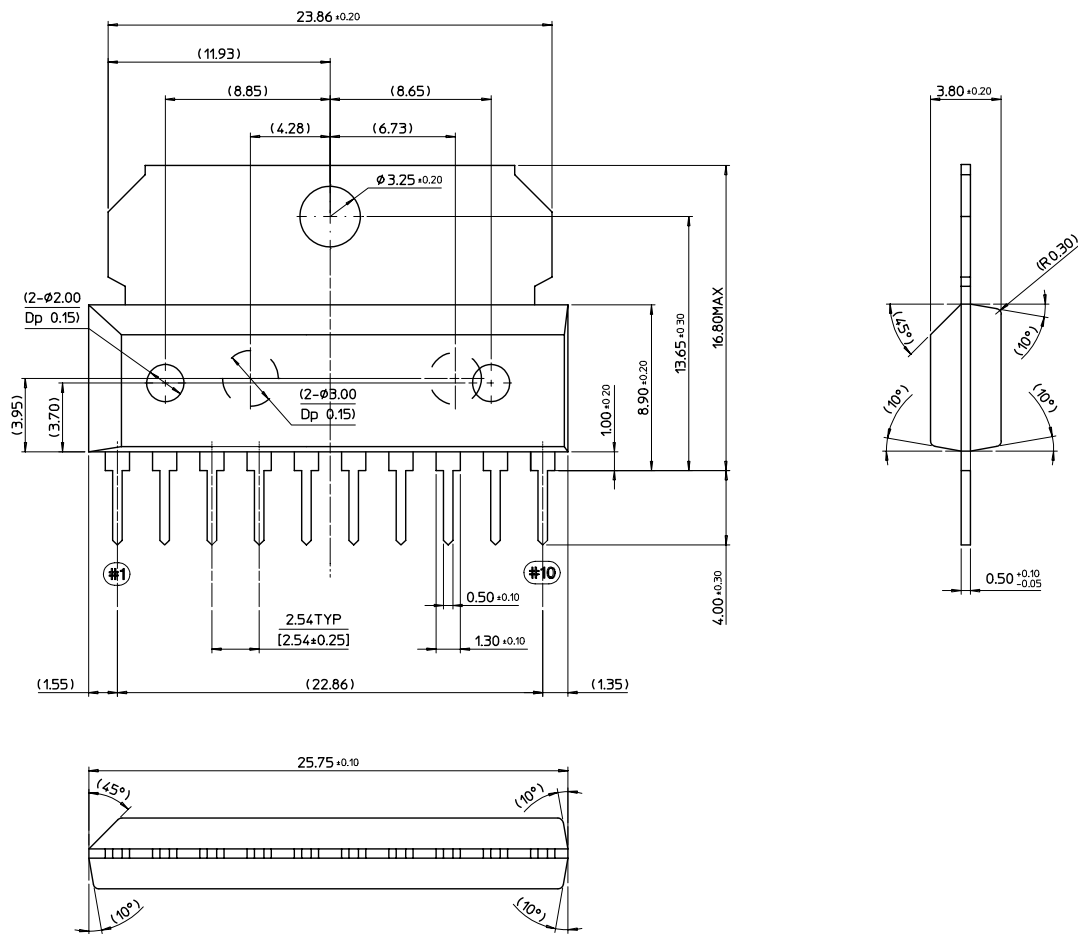
Typical Output Voltages By Control Input Voltage Change



Mechanical Dimensions (Continued)

Package

10-SIPHD



Ordering Information

Device	Package	Operating Temp.
FAN7071S	10-SIPHA	-20°C ~ +75°C
FAN7071TS	10-SIPHD	

DISCLAIMER

FAIRCHILD SEMICONDUCTOR RESERVES THE RIGHT TO MAKE CHANGES WITHOUT FURTHER NOTICE TO ANY PRODUCTS HEREIN TO IMPROVE RELIABILITY, FUNCTION OR DESIGN. FAIRCHILD DOES NOT ASSUME ANY LIABILITY ARISING OUT OF THE APPLICATION OR USE OF ANY PRODUCT OR CIRCUIT DESCRIBED HEREIN; NEITHER DOES IT CONVEY ANY LICENSE UNDER ITS PATENT RIGHTS, NOR THE RIGHTS OF OTHERS.

LIFE SUPPORT POLICY

FAIRCHILD'S PRODUCTS ARE NOT AUTHORIZED FOR USE AS CRITICAL COMPONENTS IN LIFE SUPPORT DEVICES OR SYSTEMS WITHOUT THE EXPRESS WRITTEN APPROVAL OF THE PRESIDENT OF FAIRCHILD SEMICONDUCTOR CORPORATION. As used herein:

1. Life support devices or systems are devices or systems which, (a) are intended for surgical implant into the body, or (b) support or sustain life, and (c) whose failure to perform when properly used in accordance with instructions for use provided in the labeling, can be reasonably expected to result in a significant injury of the user.
2. A critical component in any component of a life support device or system whose failure to perform can be reasonably expected to cause the failure of the life support device or system, or to affect its safety or effectiveness.