

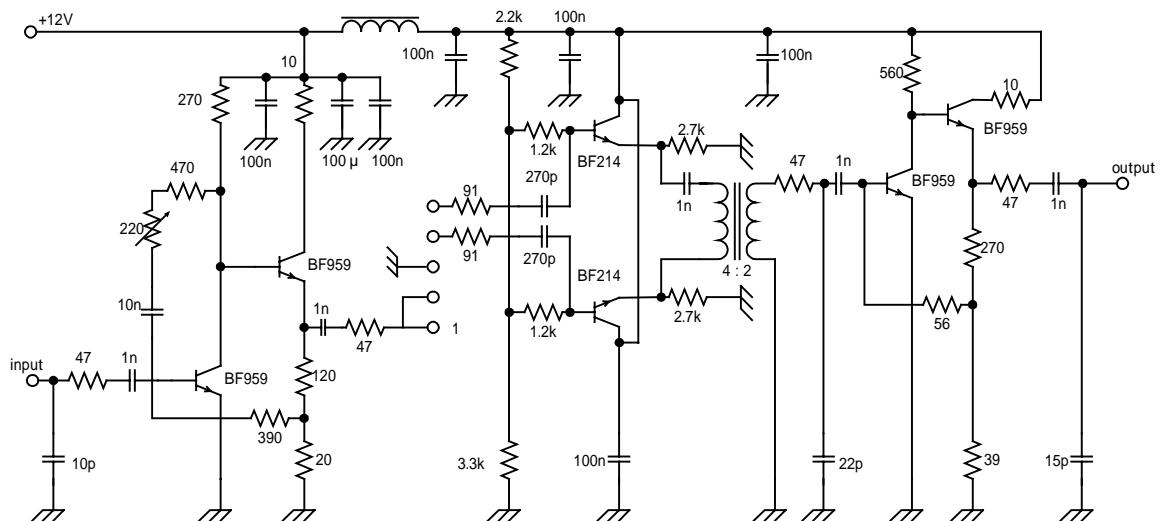
| | | | |
|---------------------------|---|-------------------------------|---------------|
| Customer Name | Standard specification | FUJITSU MEDIA DEVICES LIMITED | |
| Application | IF Filter for Digital Terrestrial TV (Switchable) | | |
| Picture Carrier Frequency | 36.00MHz | DATE | July 07, 2005 |
| FMD Part Number | FAR-K4SH-36M000-L0E1 | Version | 2.1 |

Table 1-1 Electrical Specification (Ta=25°C)

| Channel 1 (BW=6.4MHz) | | Pin No.1&2=INPUT | | Pin No.3=GROUND | | Unit | Remarks |
|--------------------------------|----------------------------|------------------|-----------|-----------------|--|--------|---------|
| Items | Conditions | Min. | Typ. | Max. | | | |
| Insertion Loss | 36.00 MHz | 18.2 | 19.7 | 21.2 | | dB | |
| Pass bandwidth | relative attenuation<1.5dB | - | 6.02 | - | | MHz | |
| | relative attenuation<3.0dB | - | 6.32 | - | | MHz | |
| | relative attenuation<15dB | - | 7.37 | - | | MHz | |
| | relative attenuation<30dB | - | 8.00 | - | | MHz | |
| Relative attenuation | 31.42MHz | 32 | 38 | - | | dB | |
| | 39.67MHz | 11 | 13 | - | | dB | |
| | 39.92MHz | 19 | 24 | - | | dB | |
| | 25~31.42MHz | 30 | 36 | - | | dB | |
| | 40.2~45MHz | 30 | 34 | - | | dB | |
| Group delay ripple | 32.9~39.1MHz | - | 35 | - | | nsp-p | |
| Impedance at 36MHz | Input kohms//pF | - | 2.1//15.8 | - | | | |
| | Output kohms//pF | - | 2.3//5.3 | - | | | |
| Temperature coefficient | | --- | -72 | --- | | ppm/°C | |

MEASURING CIRCUIT

Characteristics of Channel 1 (switching pin 2 connected to pin)



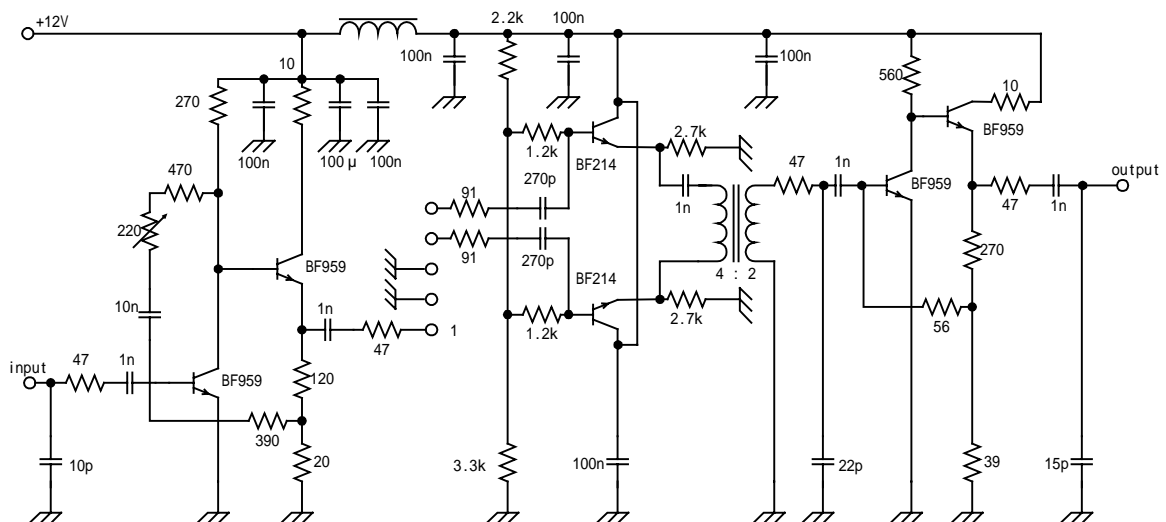
| | | | |
|---------------------------|---|-------------------------------|---------------|
| Customer Name | Standard specification | FUJITSU MEDIA DEVICES LIMITED | |
| Application | IF Filter for Digital Terrestrial TV (Switchable) | | |
| Picture Carrier Frequency | 36.00MHz | DATE | July 07, 2005 |
| FMD Part Number | FAR-K4SH-36M000-L0E1 | Version | 2.1 |

Table 1-2 Electrical Specification (Ta=25°C)

| Channel 2 (BW=7.4MHz) | | Pin No.1=INPUT | | | Pin No.2&3=GROUND | |
|--------------------------------|----------------------------|----------------|-----------|------|-------------------|---------|
| Items | Conditions | Specification | | | Unit | Remarks |
| | | Min. | Typ. | Max. | | |
| Insertion Loss | 36.00 MHz | 18.4 | 19.9 | 21.4 | dB | |
| Pass bandwidth | relative attenuation<1.5dB | - | 6.72 | - | MHz | |
| | relative attenuation<3.0dB | - | 7.17 | - | MHz | |
| | relative attenuation<15dB | - | 8.35 | - | MHz | |
| | relative attenuation<30dB | - | 9.01 | - | MHz | |
| Relative attenuation | 30.75MHz | 36 | 51 | - | dB | |
| | 40.25MHz | 12.5 | 17 | - | dB | |
| | 40.75MHz | 29 | 42 | - | dB | |
| | 41.00MHz | 31 | 45 | - | dB | |
| | 41.25MHz | 33 | 44 | - | dB | |
| | 25~30.75MHz | 36 | 38 | - | dB | |
| | 41.25~45MHz | 32 | 35 | - | dB | |
| Group delay ripple | 32.4~39.6MHz | - | 56 | - | nsp-p | |
| Impedance at 36MHz | Input kohms//pF | - | 1.5//20.8 | - | | |
| | Output kohms//pF | - | 2.3//5.3 | - | | |
| Temperature coefficient | | --- | -72 | --- | ppm/°C | |

MEASURING CIRCUIT

Characteristics of Channel 2 (switching pin 2 connected to ground)



| | | | |
|---------------------------|---|-------------------------------|---------------|
| Customer Name | Standard specification | FUJITSU MEDIA DEVICES LIMITED | |
| Application | IF Filter for Digital Terrestrial TV (Switchable) | | |
| Picture Carrier Frequency | 36.00MHz | DATE | July 07, 2005 |
| FMD Part Number | FAR-K4SH-36M000-L0E1 | Version | 2.1 |

● **Dimensions**

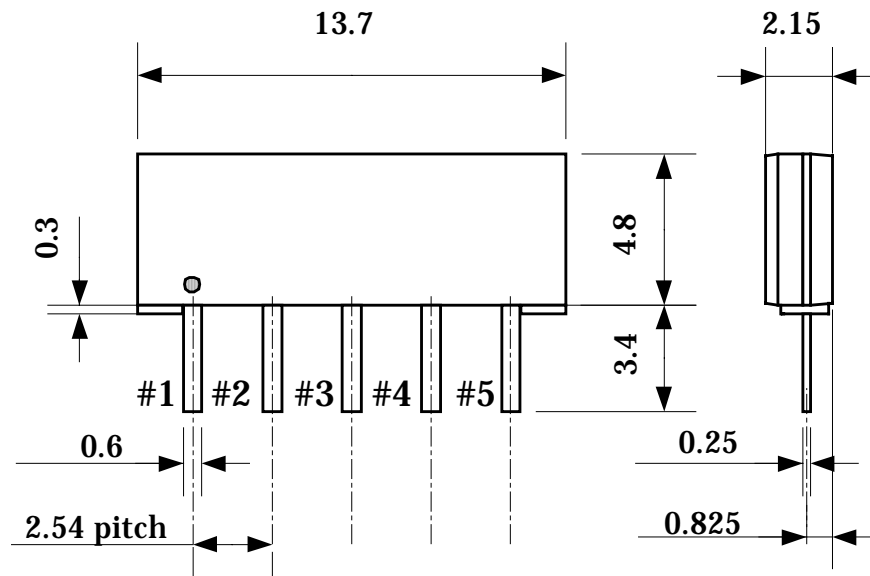


Fig.1

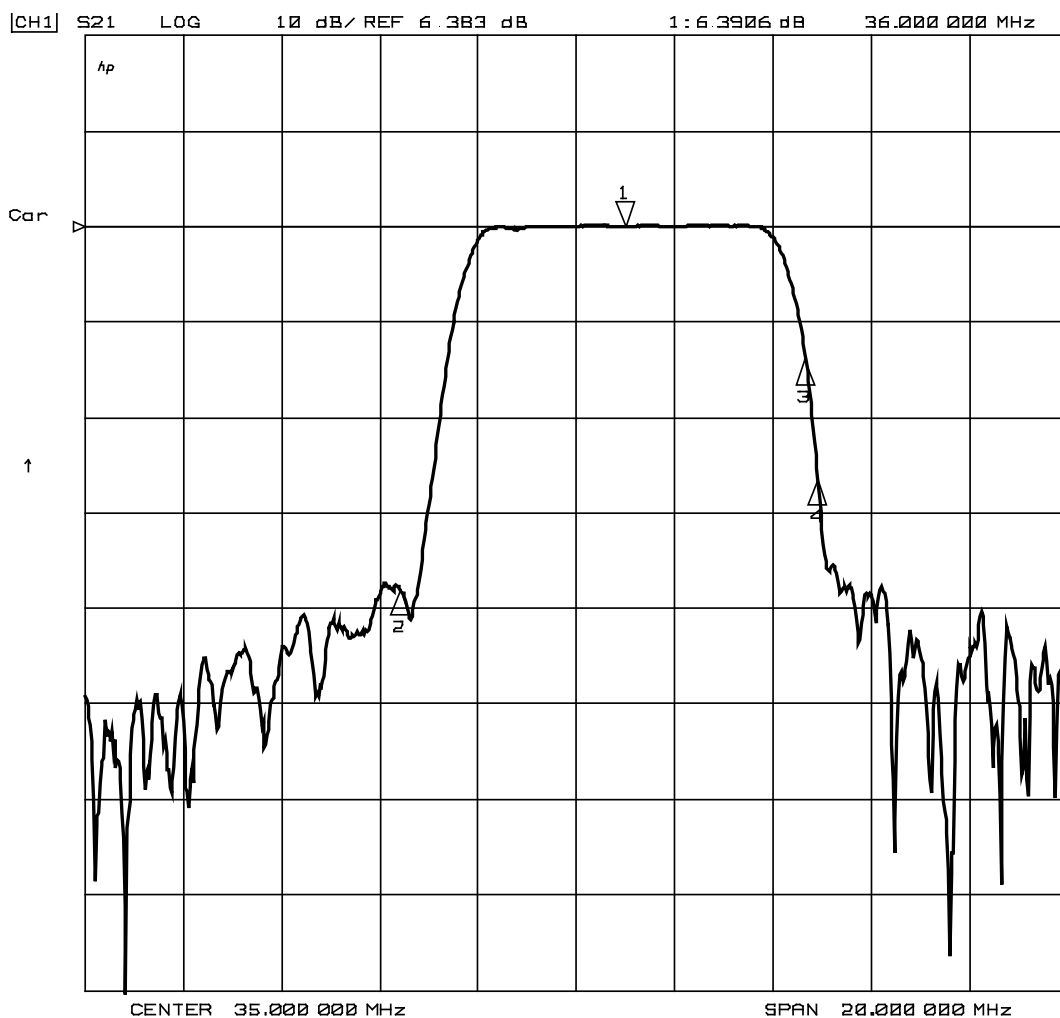
● **Pin Configuration**

Table 2

| Pin No. | Symbol | Function |
|---------|--------|-----------|
| #1 | IN | Input |
| #2 | SW | Switching |
| #3 | GND | Ground |
| #4 | OUT | Output |
| #5 | OUT | Output |

| | | | |
|---------------------------|---|-------------------------------|---------------|
| Customer Name | Standard specification | FUJITSU MEDIA DEVICES LIMITED | |
| Application | IF Filter for Digital Terrestrial TV (Switchable) | | |
| Picture Carrier Frequency | 36.00MHz | DATE | July 07, 2005 |
| FMD Part Number | FAR-K4SH-36M000-L0E1 | Version | 2.1 |

Amplitude Response [Channel1-BW=6.4MHz] (10dB/div)



Marker1 : 36.00 MHz

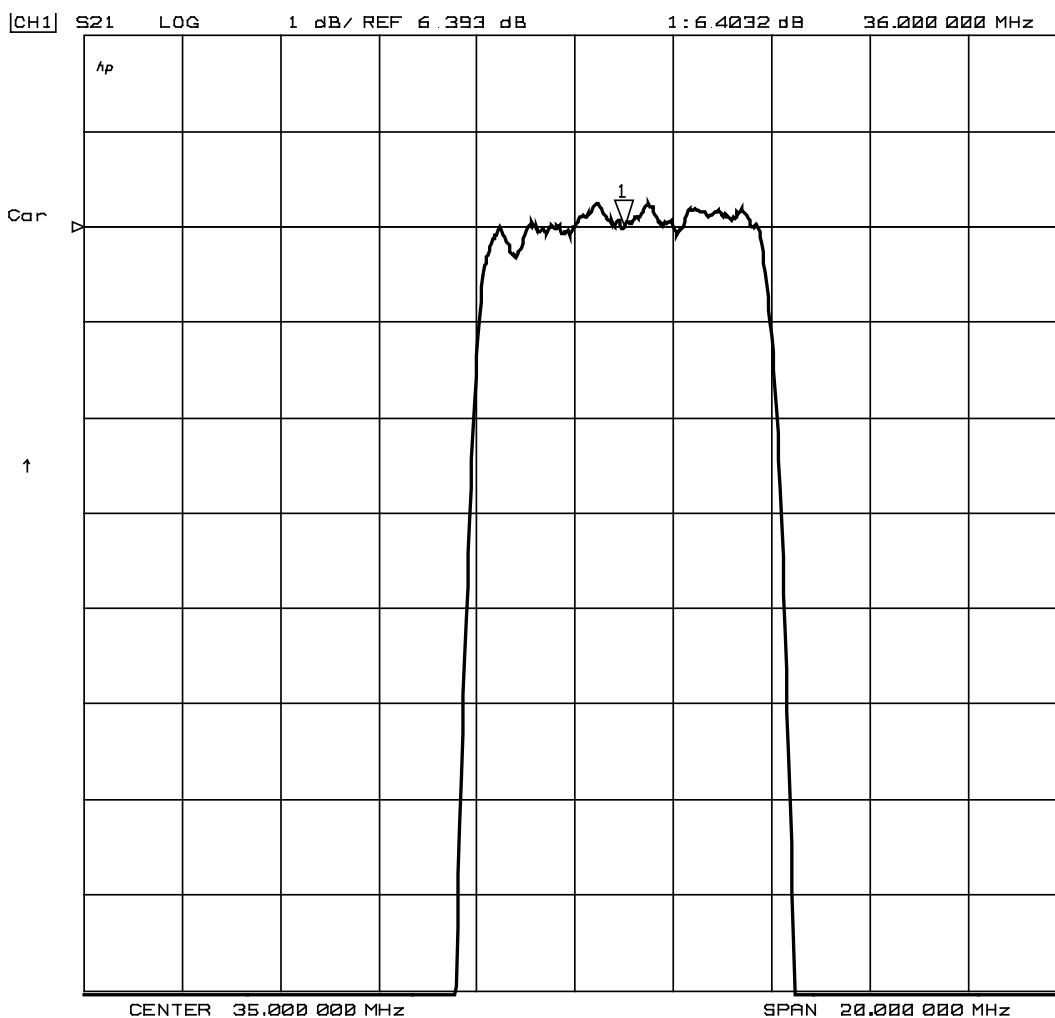
Marker2 : 31.42 MHz

Marker3 : 39.67 MHz

Marker4 : 39.92 MHz

| | | | |
|---------------------------|---|-------------------------------|---------------|
| Customer Name | Standard specification | FUJITSU MEDIA DEVICES LIMITED | |
| Application | IF Filter for Digital Terrestrial TV (Switchable) | | |
| Picture Carrier Frequency | 36.00MHz | DATE | July 07, 2005 |
| FMD Part Number | FAR-K4SH-36M000-L0E1 | Version | 2.1 |

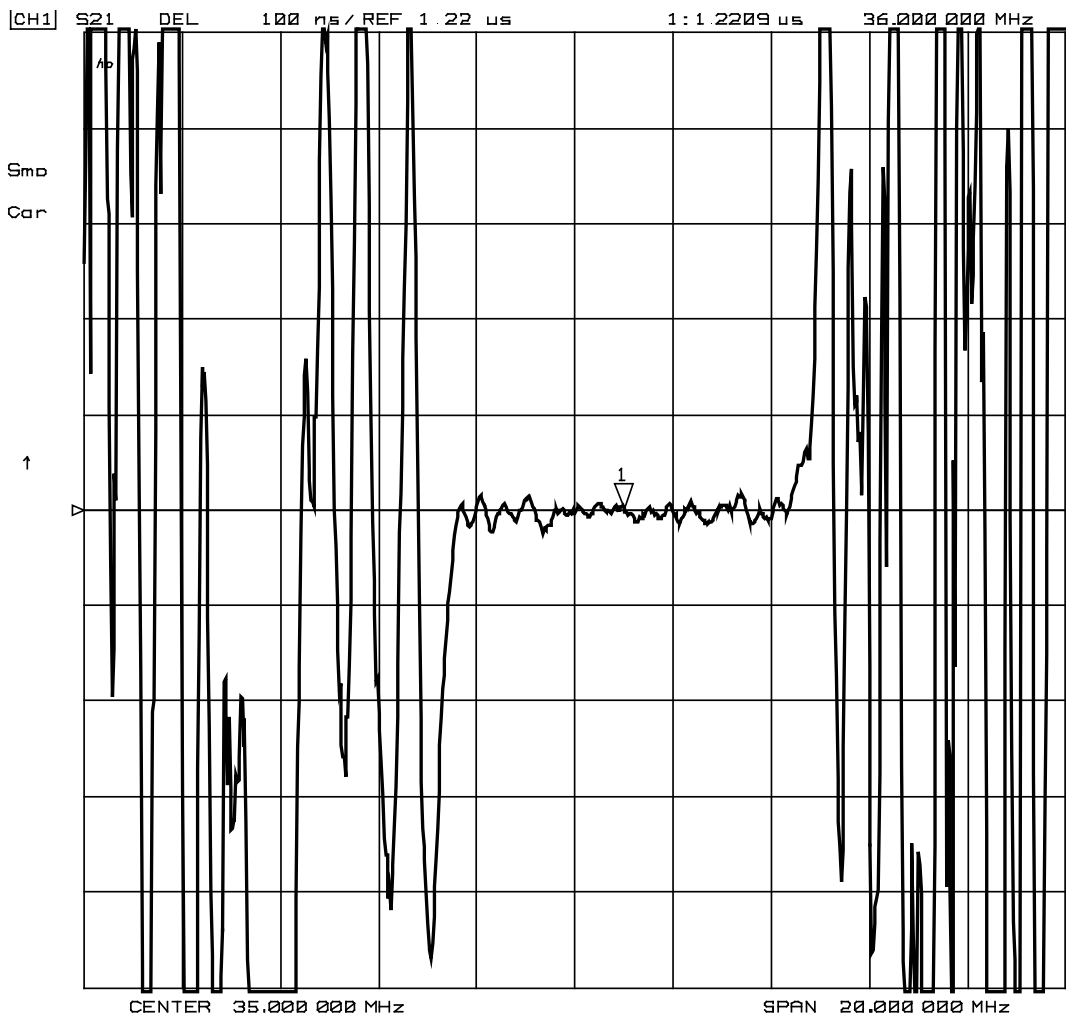
Amplitude Response [Channel1-BW=6.4MHz] (1dB/div)



Marker1 : 36.00 MHz

| | | | |
|---------------------------|---|-------------------------------|---------------|
| Customer Name | Standard specification | FUJITSU MEDIA DEVICES LIMITED | |
| Application | IF Filter for Digital Terrestrial TV (Switchable) | | |
| Picture Carrier Frequency | 36.00MHz | DATE | July 07, 2005 |
| FMD Part Number | FAR-K4SH-36M000-L0E1 | Version | 2.1 |

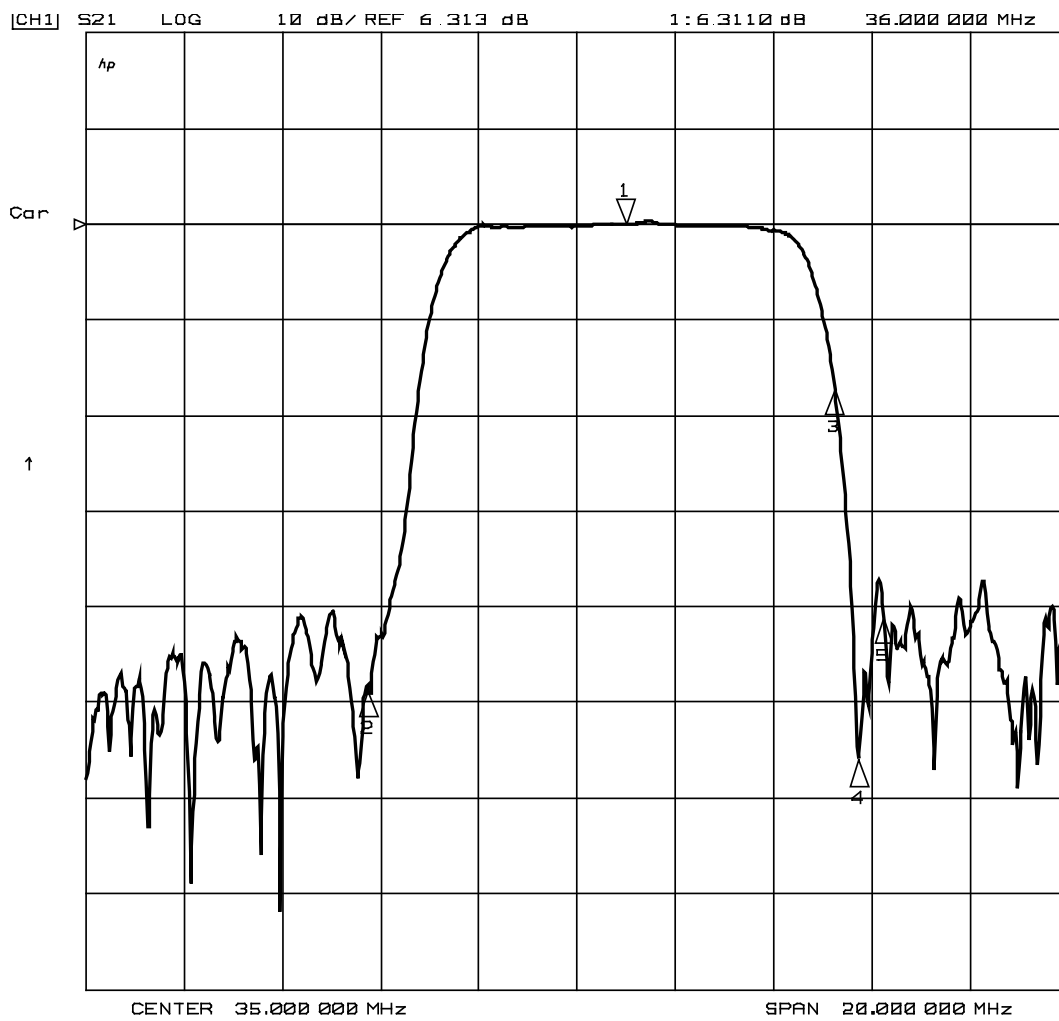
Group Delay [Channel1-BW=6.4MHz] (100ns/div)
 Delay Aper.=250kHz



Marker1 : 36.00 MHz

| | | | |
|---------------------------|---|-------------------------------|---------------|
| Customer Name | Standard specification | FUJITSU MEDIA DEVICES LIMITED | |
| Application | IF Filter for Digital Terrestrial TV (Switchable) | | |
| Picture Carrier Frequency | 36.00MHz | DATE | July 07, 2005 |
| FMD Part Number | FAR-K4SH-36M000-L0E1 | Version | 2.1 |

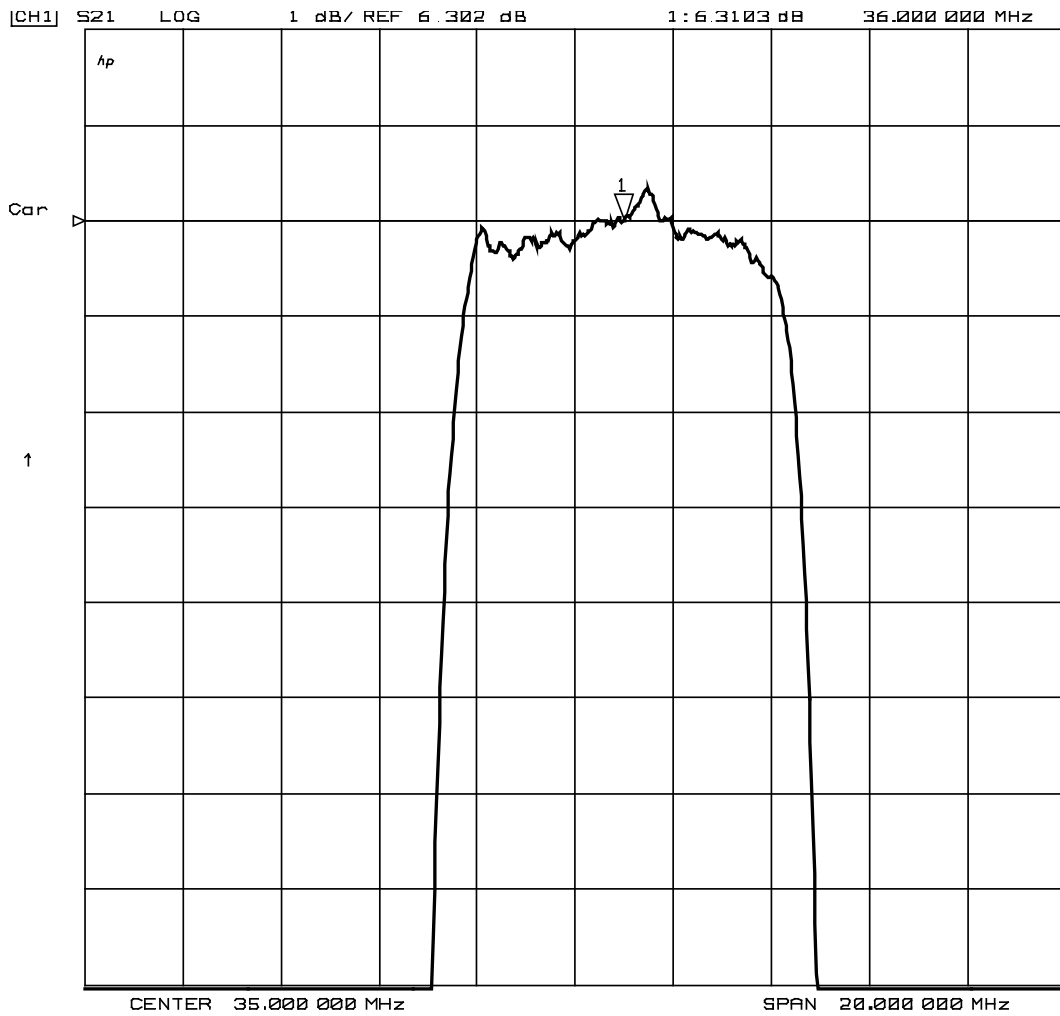
Amplitude Response [Channel2-BW=7.4MHz] (10dB/div)



- Marker1 : 36.00 MHz
- Marker2 : 30.75 MHz
- Marker3 : 40.25 MHz
- Marker4 : 40.75 MHz
- Marker5 : 41.25 MHz

| | | | |
|---------------------------|---|-------------------------------|---------------|
| Customer Name | Standard specification | FUJITSU MEDIA DEVICES LIMITED | |
| Application | IF Filter for Digital Terrestrial TV (Switchable) | | |
| Picture Carrier Frequency | 36.00MHz | DATE | July 07, 2005 |
| FMD Part Number | FAR-K4SH-36M000-L0E1 | Version | 2.1 |

Amplitude Response [Channel2-BW=7.4MHz] (1dB/div)

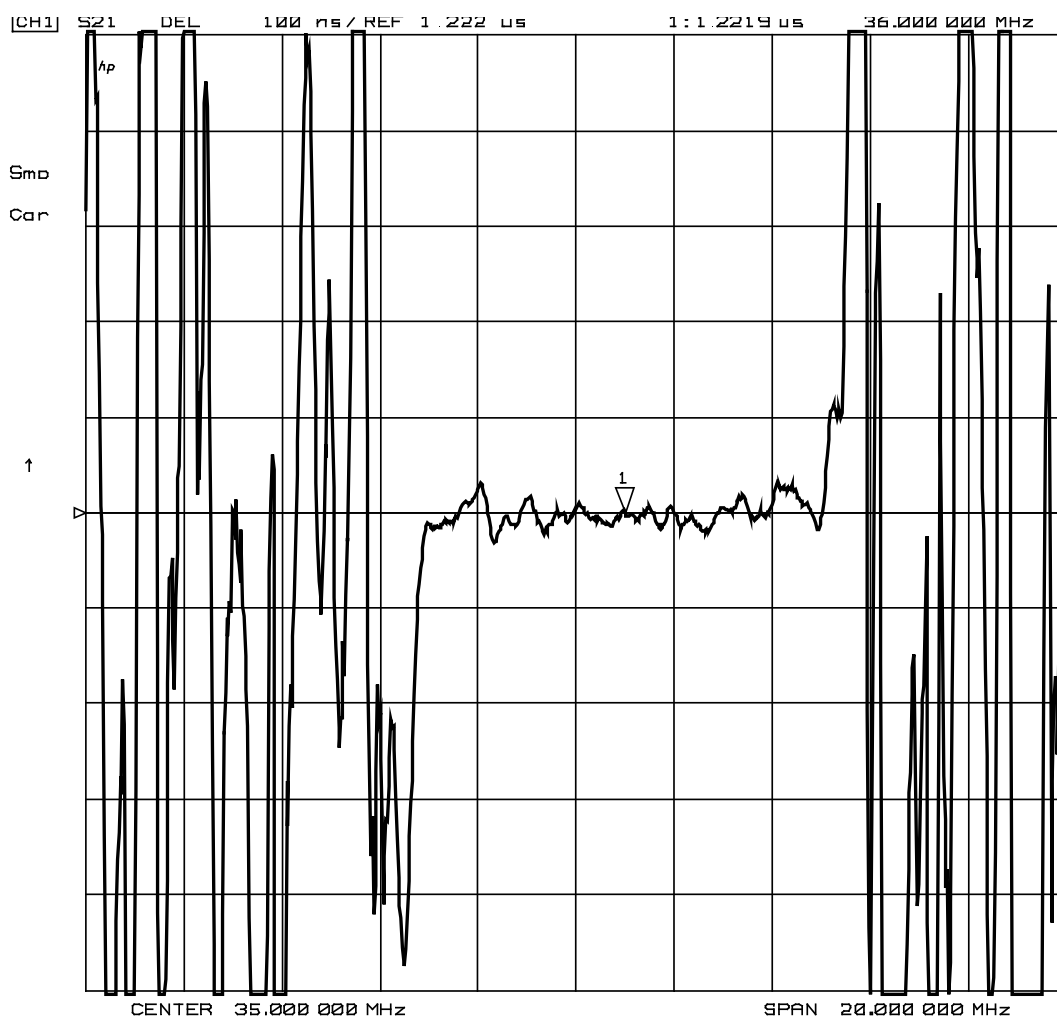


Marker1 : 36.00 MHz

| | | | |
|---------------------------|---|-------------------------------|---------------|
| Customer Name | Standard specification | FUJITSU MEDIA DEVICES LIMITED | |
| Application | IF Filter for Digital Terrestrial TV (Switchable) | | |
| Picture Carrier Frequency | 36.00MHz | DATE | July 07, 2005 |
| FMD Part Number | FAR-K4SH-36M000-L0E1 | Version | 2.1 |

Group Delay [Channel2-BW=7.4MHz] (100ns/div)

Delay Aper. = 250kHz



Marker1 : 36.00 MHz