

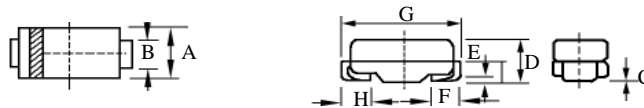
FM4933 – FM4937

 1A 片式快速二极管
 1A FAST RECOVERY SMA DIODES

| 型号 TYPE | 印字 Marking | 反向重复 峰值电压 $V_{RRM}(V)$ | 正向 平均电流 $I_F(A)$ | 正向 峰值电压 $V_F(V)$ | 反向 峰值电流 $I_{RM}(\mu A)$ | 正向 浪涌电流 $I_{FSM}(A)$ | 反向 恢复时间 $T_{rr}(ns)$ | 外形尺寸 Package Dimensions |
|------------|---------------|------------------------------|------------------------|------------------------|-------------------------------|----------------------------|----------------------------|-------------------------------|
| FM4933 | FM3 | 50 | 1.0 | 1.20 | 5.0 | 30 | 150 | DO – 214AC |
| FM4934 | FM4 | 100 | | | | | | |
| FM4935 | FM5 | 200 | | | | | | |
| FM4936 | FM6 | 400 | | | | | | |
| FM4937 | FM7 | 600 | | | | | | |

Trr 测试条件: $I_F=1A, I_R=0.5A, I_{RR}=0.25A$

Trr Test Conditions: $I_F=1A, I_R=0.5A, I_{RR}=0.25A$



| A | B | C | D | E | F | G | H |
|-------------------------------|-------------------------------|---------------------------------|-------------------------------|-------------------------------|-------------------------------|-------------------------------|-------------------------------|
| $\frac{.110(2.8)}{.086(2.2)}$ | $\frac{.067(1.7)}{.051(1.3)}$ | $\frac{.008}{(.2)} \text{ MAX}$ | $\frac{.091(2.3)}{.067(1.7)}$ | $\frac{.051(1.3)}{.008(0.2)}$ | $\frac{.059(1.5)}{.035(0.9)}$ | $\frac{.209(5.3)}{.185(4.7)}$ | $\frac{.059(1.5)}{.035(0.9)}$ |

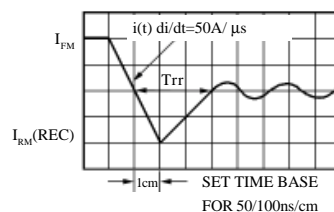
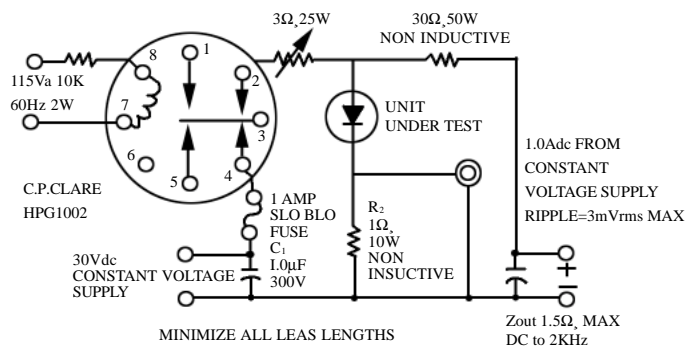
DO – 214AC

FM4933 – FM4937

1 A 片式快速二极管额定值与特性曲线

RATING & CHARACTERISTIC CURVES OF 1A FAST RECOVERY SMA DIODES

FIG.1-REVERSE RECOVERY TIME CHARACTERISTIC AND TEST CIRCUIT DIAGRAM



A TEKTRONIX 545A.K PLUG IN PRE AMP R₂ TEN 1W 10Ω, % CARBON CORE
 P6000 PROBE OR EQUIVALENT IN PARALLEL
 R₁ ADJUSTED FOR 1.4 Ω, BETWEEN T_A 25th °C FOR RECTIFIER
 POINT 2 OF RELAY AND RECTIFIER INDUCTIVE =38μH

FIG.3-TYPICAL FORWARD CHARACTERISTICS

FIG. 2 - TYPICAL FORWARD CURRENT DERATING CURVE

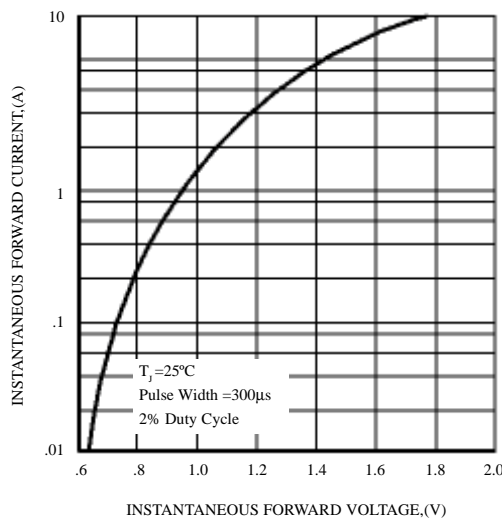
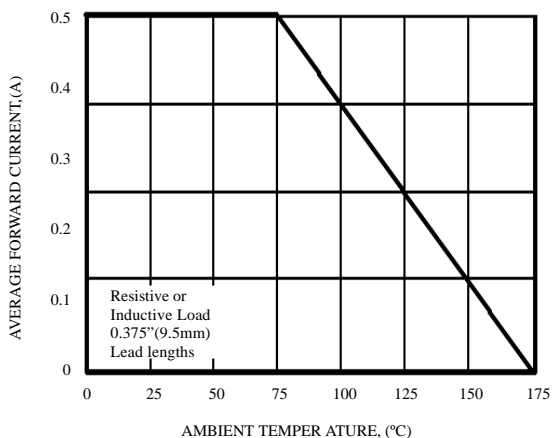


FIG.5-TYPICAL REVERSE CHARACTERISTICS

FIG.4-TYPICAL JUNCTION CAPACITANCE

