

Feature:

- High data rate, 1MHz typ. (NRZ)
- Microprocessor compatible drive
- Free from latch up and oscillation throughout voltage and temperature ranges
- Wide supply voltage capability, compatible with all popular logic systems
- High Isolation voltage between input and output (Viso = 5300V rms)
- Logic compatible output sinks 16mA at 0.4V max.
- Guaranteed on/off threshold hysteresis
- Current transfer ration
(CTR: 50~600% at $I_F = 5mA, V_{CE} = 5V$)
(CTR: 40~320% at $I_F = 10mA, V_{CE} = 5V$)
- Compact Dual-in-Line Package
- Available packaged in Tube or Tape and reel
- Conventional black housing package

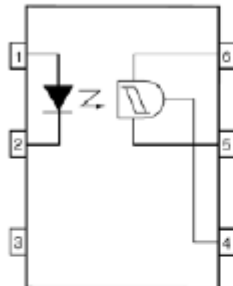
Certification & Compliance:

- Pb free and RoHS Compliant
- UL approved (E338132)
- cUL approved (E338132)



Schematic:

Schematic



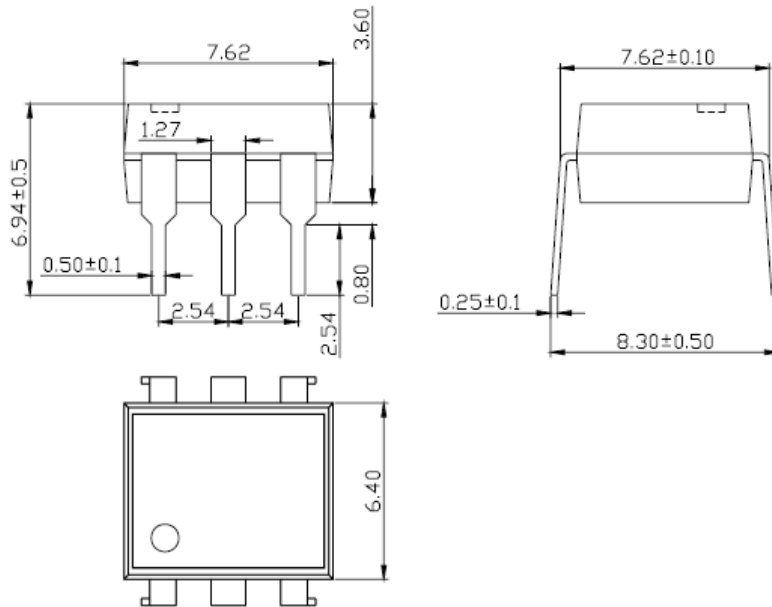
- 1. Anode
- 2. Cathode
- 3. No Connection
- 4. V_o
- 5. GND
- 6. V_{cc}

Truth Table

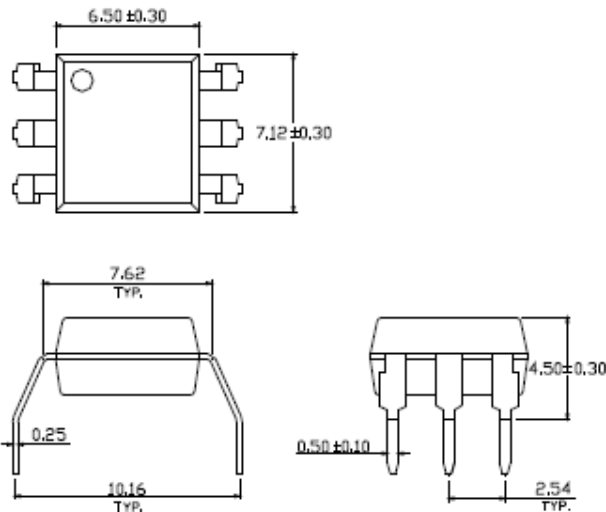
Input	Output
H	L
L	H

Dimension: (Dot location indicates pin 1)

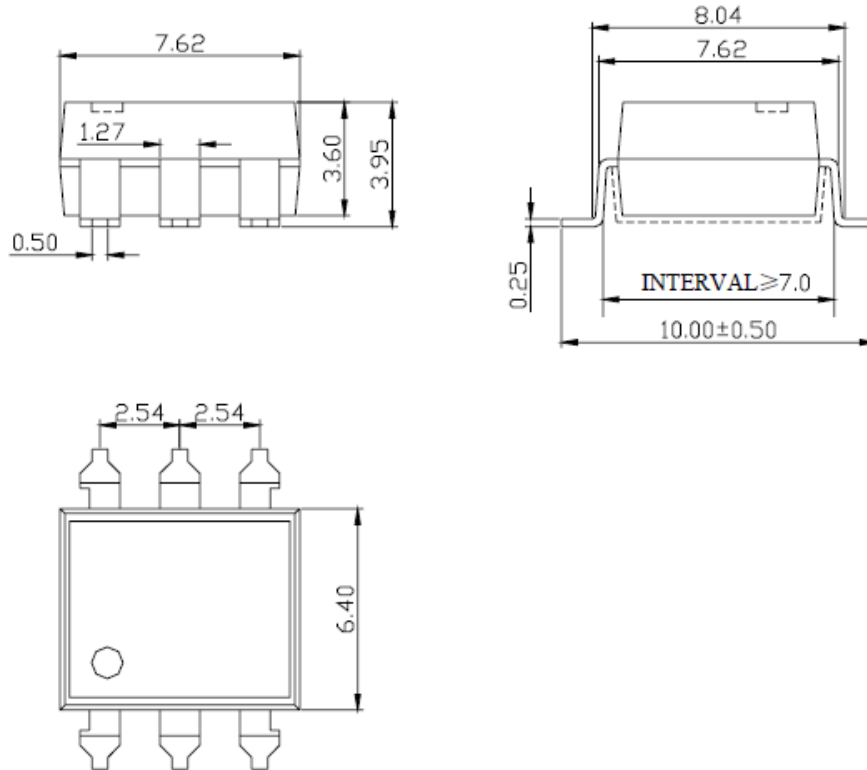
6-Pin Dip (standard):



Wide lead bend (Option W):



All Dimensions are in mm
Tolerance = +/- 0.1mm

SMD lead bend (Option S):

All Dimensions are in mm
Tolerance = +/- 0.1mm

Absolute Maximum Rating:

Symbol	Parameter	Rating	Units
		H11L1 H11L2 H11L3	
T _{STG}	Storage Temperature	-55 ~ +150	°C
T _{OPR}	Operating Temperature	-40 ~ +85	°C
T _{SOL}	Lead Solder Temperature	260	°C
P _{TOT}	Total Power Dissipation	250	mW
EMITTER			
I _F	Continuous Forward Current	60	mA
I _{PF}	Peak Forward Current (300us pulse, 2% Duty Cycle)	1.2	A
V _R	Reverse Voltage	5	V
P _D	Power Dissipation	100	mW
DETECTOR			
V _O	V ₄₅ Allowed Range	0 to 16	V
V _{CC}	V ₆₅ Allowed Range	3 to 16	V
I _O	Output Current	50	mA
P _D	Collector Power Dissipation	150	mW
	Derate above 25 °C	2	mW/ °C

Electrical Characteristic: (T=25 °C)
Emitter

Symbol	Characteristic	Device	Test Condition	Range			Unit
				Min	Typ	Max	
V_F	Forward voltage	H11L1 H11L2 H11L3	$I_F = 10\text{mA}$	-	1.2	1.5	V
I_R	Reverse current	H11L1 H11L2 H11L3	$V_R = 3\text{V}$	-	-	10	μA
C_J	Capacitance	H11L1 H11L2 H11L3	$V = 0, f = 1\text{KHz}$	-	-	100	pF

Detector

Symbol	Characteristic	Device	Test Condition	Range			Unit
				Min	Typ	Max	
V_{CC}	Operation Voltage Range	H11L1 H11L2 H11L3		3	-	15	V
$I_{CC(\text{off})}$	Supply Current	H11L1 H11L2 H11L3	$I_F = 0\text{mA}, V_{CC} = 5\text{v}$	-		3	mA
I_{CH}	Output Current, High	H11L1 H11L2 H11L3	$I_F = 0\text{mA}, V_{CC} = V_O = 15\text{V}$	-	-	100	V

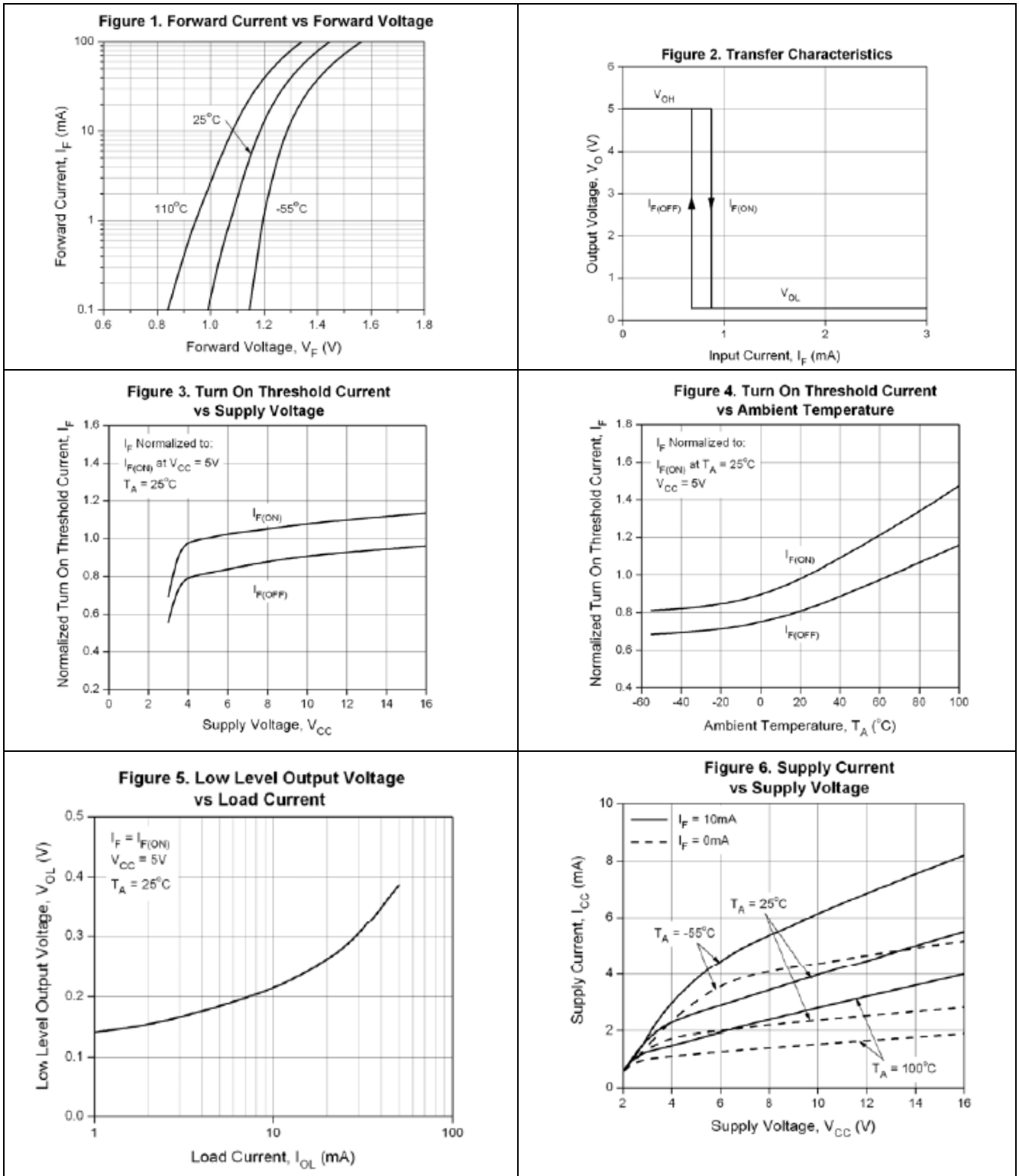
Isolation Characteristics

R_{ISO}	Isolation Resistance	H11L1 H11L2 H11L3	$V_{I-O} = 500\text{VCD}$	10^{11}	-	-	Ω
V_{ISO}	Isolation Voltage		$I_{\text{off}} < 0.3\text{mA}, \text{AC}, 60\text{s}$	5300			Vrms

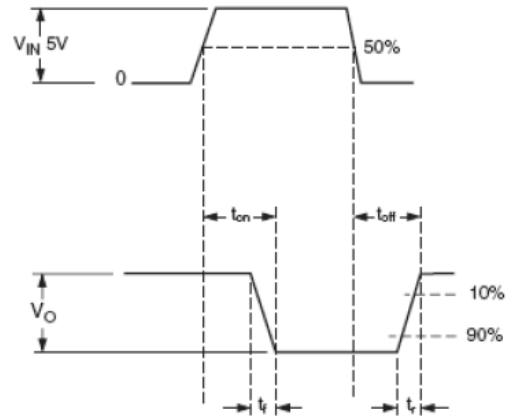
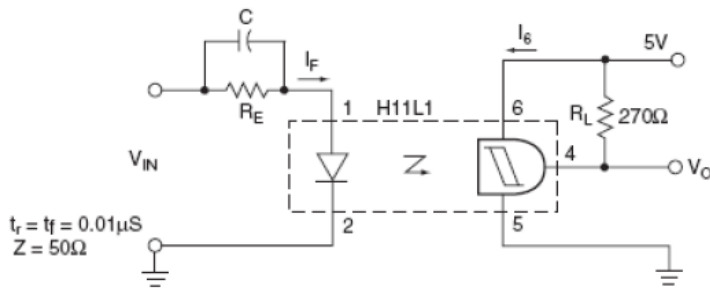
Symbol	Characteristic	Device	Test Condition	Range			Unit
				Min	Typ	Max	
DC Transfer Characteristic							
$I_{CC(on)}$	Supply Current	H11L1 H11L2 H11L3	$I_F = 10mA, V_{CC} = 5V$	-	1.6	5	mA
V_{OL}	Output Voltage .low	H11L1 H11L2 H11L3	$V_{CC} = 5V, I_F = I_{FON(max)},$ $R_L = 270\Omega$	-	0.2	0.4	V
I_{FON}	Turn on Threshold Current ¹	H11L1	$V_{CC} = 5V, R_L = 270\Omega$	-	1.2	1.6	mA
		H11L2		-	-	10	mA
		H11L3		-	-	5	mA
I_{FOFF}	Turn off Threshold Current	H11L1 H11L2 H11L3	$V_{CC} = 5V, R_L = 270\Omega$	0.3	0.75	-	mA
I_{fon}/I_{foo}	Hysteresis Ratio	H11L1 H11L2 H11L3	$V_{CC} = 5V, R_L = 270\Omega$	0.5	-	0.9	
AC Transfer Characteristic							
T_{on}	Turn on Time	H11L1 H11L2 H11L3	$V_{CC} = 5V, I_F = I_{FON},$ $R_L = 270\Omega$	-	1.2	4	μS
T_r	Rise Time	H11L1 H11L2 H11L3	$V_{CC} = 5V, I_F = I_{FON},$ $R_L = 270\Omega$	-	0.1	-	μS
T_{off}	Turn off Time	H11L1 H11L2 H11L3	$V_{CC} = 5V, I_F = I_{FON},$ $R_L = 270\Omega$	-	1.2	4	μS
T_f	Fall Time	H11L1 H11L2 H11L3	$V_{CC} = 5V, I_F = I_{FON},$ $R_L = 270\Omega$	-	0.1	-	μS
	Data Rate	H11L1 H11L2 H11L3		-	1	-	MHz

¹. Max. $I_{F(on)}$ is the maximum current required to trigger the output. For examples, a 1.6mA maximum trigger current would require the LED to be driven at a current greater than 1.6mA to guarantee the device will turn on. A 10% guard band is recommended to account for degradation of the LED over its lifetime. The maximum allowable LED drive current is 60mA

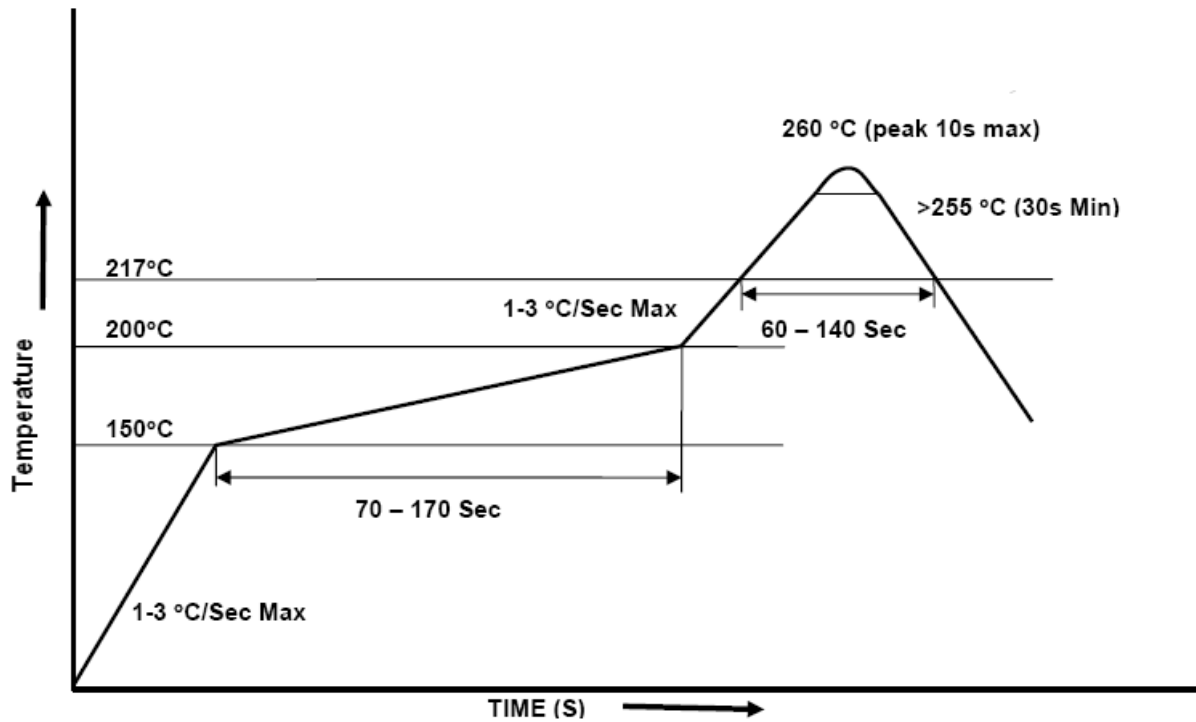
Characteristic Curves:

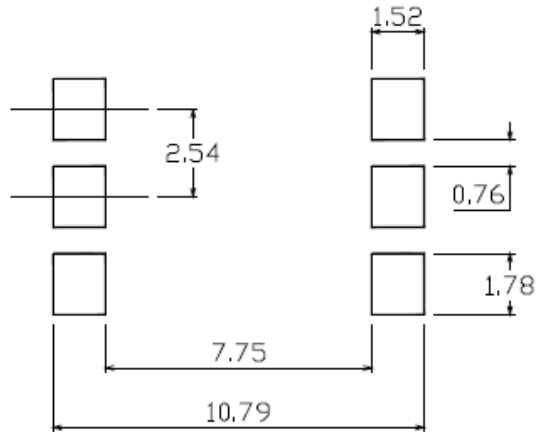


Test Circuit for Response Time:



Solder Reflow temperature Profile:

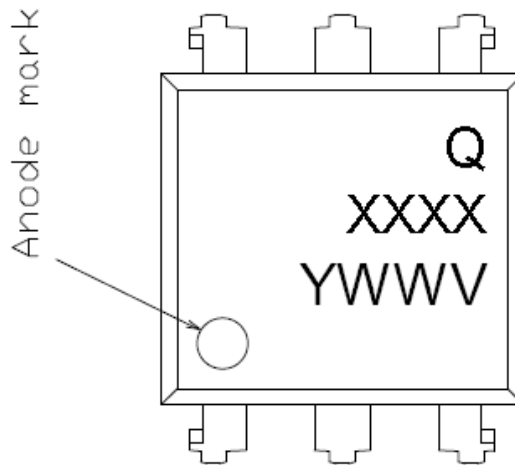


Solder Profile & Footprint:

Recommended Solder Footprint for SMD Leadform

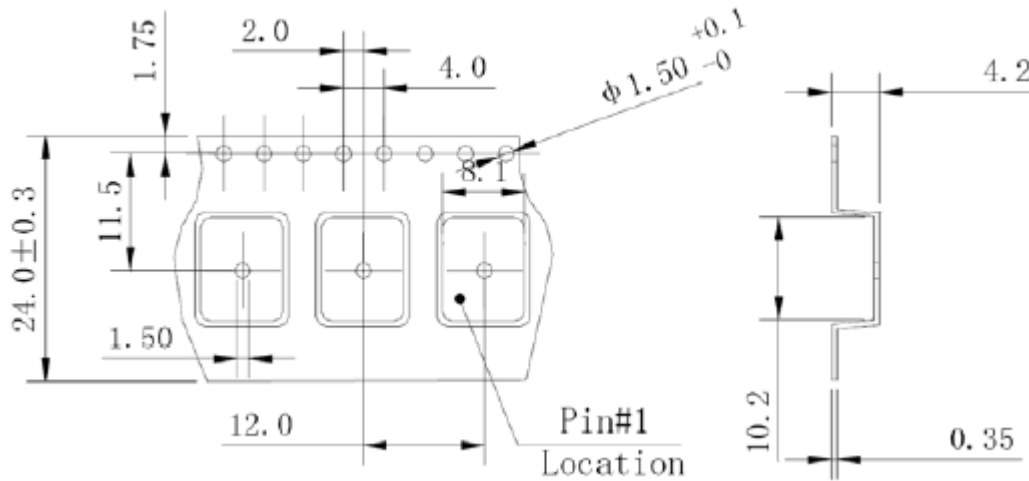
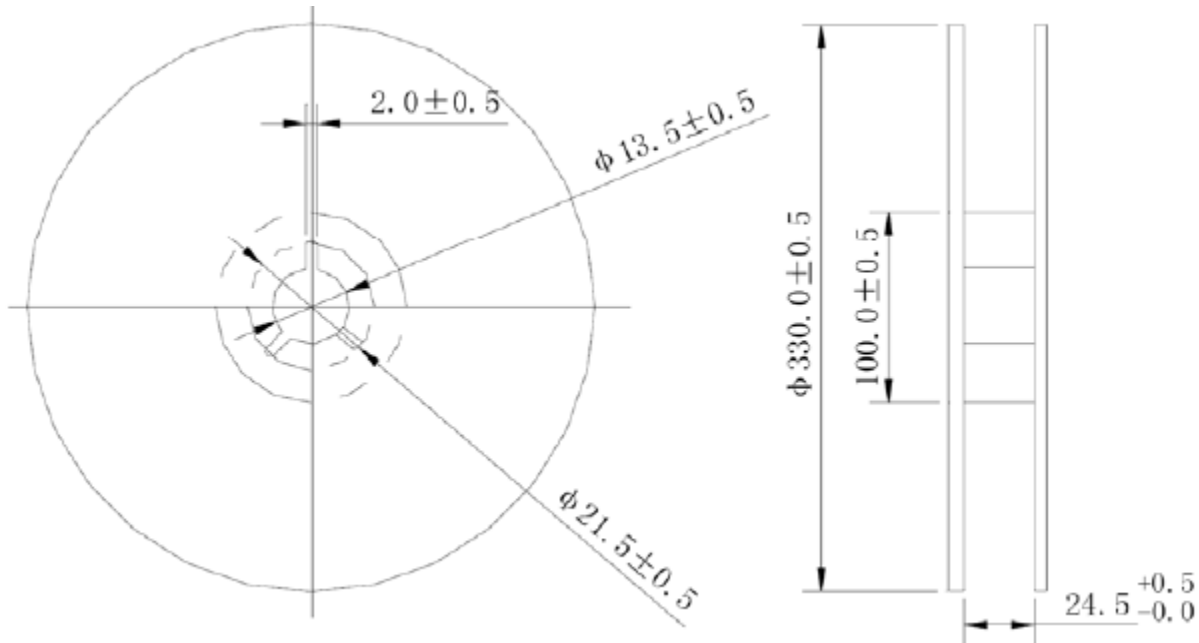
Units: mm

tolerance: +/- 0.1mm

Device Marking:

Q = QT-Brightek Corporation
 XXXX = H11L1, H11L2, or H11L3
 Y = Year
 WW = Week

Product: H11L1 H11L2 H11L3	Date: April 07, 2011	Page 9 of 12
	Version# 1.1	

Tape and Reel Packing Specifications:**Tape Dimensions:****Reel Dimensions:**

Ordering Information:

Part Number	Orderable Part Number	Options	Description	Quantity per packing
H11L1	H11L1	None	Standard 6 pin	60pcs / Tube
	H11L1W	W	Wide lead bend (0.4 inch spacing)	60pcs / Tube
	H11L1STA	S	SMD lead form with tape and reel option	1000pcs / Tube
H11L2	H11L2	None	Standard 6 pin	60pcs / Tube
	H11L2W	W	Wide lead bend (0.4 inch spacing)	60pcs / Tube
	H11L2STA	S	SMD lead form with tape and reel option	1000pcs / Tube
H11L3	H11L3	None	Standard 6 pin	60pcs / Tube
	H11L3W	W	Wide lead bend (0.4 inch spacing)	60pcs / Tube
	H11L3STA	S	SMD lead form with tape and reel option	1000pcs / Tube

Revision History:

Description:	Revision #	Revision Date
Initial release of H11L1 H11L2 H11L3	1.0	4/22/2010
Information updates	1.1	04/07/2011

Disclaimer

QT-BRIGHTTEK reserves the right to make changes without further notice to any products herein to improve reliability, function or design. QT-BRIGHTTEK does not assume any liability arising out of the application or use of any product or circuit described herein; neither does it convey any license under its patent rights, nor the rights of others.

Life Support Policy

QT-BRIGHTTEK's products are not authorized for use as critical components in life support devices or systems without the express written approval of QT-BRIGHTTEK. As used herein:

1. Life support devices or systems are devices or systems which, (a) are intended for surgical implant into the body, or (b) support or sustain life, and (c) whose failure to perform when properly used in accordance with instructions for use provided in the labeling, can be reasonably expected to result in a significant injury of the user.
2. A critical component in any component of a life support device or system whose failure to perform can be reasonably expected to cause the failure of the life support device or system, or to affect its safety or effectiveness.

Product: H11L1 H11L2 H11L3	Date: April 07, 2011	Page 12 of 12
	Version# 1.1	