

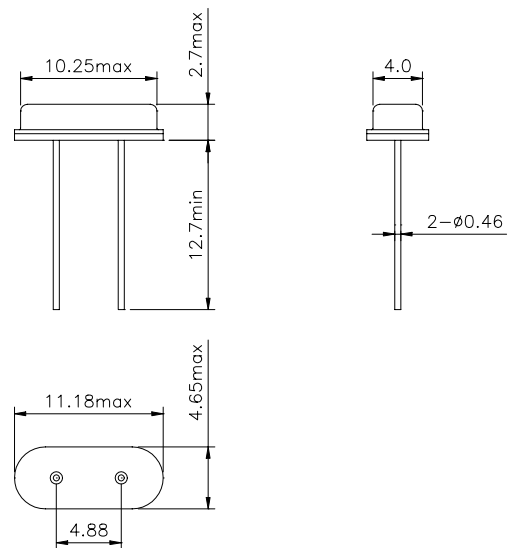
Low Profile Resistance Weld Crystal

The HC49L series is a low profile AT-cut or BT-cut strip crystal housed in a low profile package meeting the standard 0.200" board spacing.

HC49L

Specifications:

Frequency Range:	3.2 MHz ~ 40 MHz Fundamental		
	20 MHz ~ 70 MHz Overtone		
Operating Temperature:	0°C ~ +50°C	-A	
	-10°C ~ +60°C	-B	
	-20°C ~ +70°C	-C	
	-40°C ~ +85°C	-L	
Storage Temperature:	-40°C ~ +85°C		
Frequency Tolerance:	± 50 ppm	-50	
(at 25°C)	± 30 ppm	-30	
	± 20 ppm	-20	
	± 10 ppm	-10	
Frequency Stability:	± 50 ppm	-50	
(over temperature range)	± 30 ppm	-30	
	± 20 ppm	-20	
	± 10 ppm	-10	
Circuit Condition:	10 pF ~ 32 pF or series		
Equivalent Series Resistance:	Maximum resistance corresponds to frequency. Please see ESR table.		
Drive Level:	1.0 mW max		
Shunt Capacitance:	7 pF max		
Aging:	± 5 ppm max per year		
Optional Features:	Fundamental	-F	
	3 rd , 5 th , 7 th O.T.	-3,5,7	
	Tape & Reel	-TR	

HC-49S-Slim


All dimensions are in mm

Ordering Information

Product name + CL + Operating Temperature Range + Tolerance + Stability + Other Code + Frequency.

i.e. HC49L-20-C-30-30-F-24.000MHz

Note:

1. Other frequencies, tolerances, stabilities, and operating temperature ranges available. Consult VTC Support for specific requirements.
2. Not all combinations of the above tolerances, stabilities, and temperature ranges are available. Consult VTC Support if your requirement is not standard.
3. All specifications subject to change without notice.