

Features

- Operating voltage: 2.2V~3.6V
- Low power consumption
- Few external parts
- 20-pin DIP/SOP package
- 24-pin SOP package

Applications

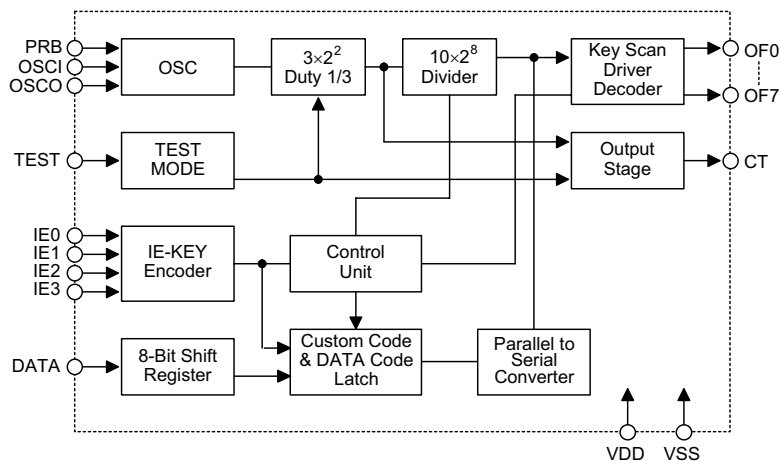
- Television and video cassette recorder controllers
- Garage door controllers
- Car door controllers
- Security systems
- Other remote control systems

General Description

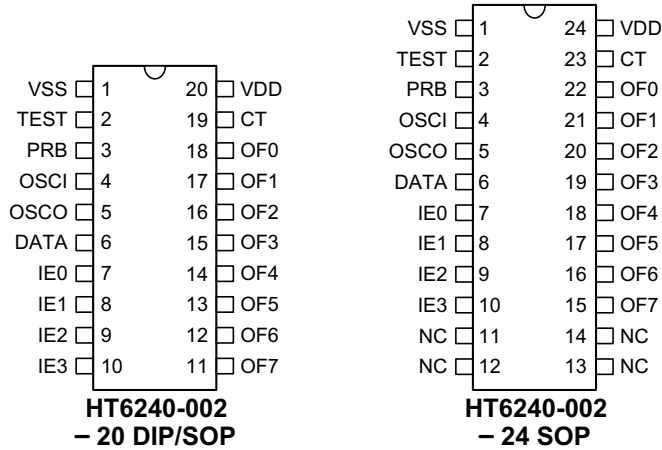
HT6240-002 is designed as infrared remote encoders, usually applied to TV systems. The 4×8 key matrix input and the extension bit in-

put can transmit a max. of 256 instructions. HT6240-002 have three different packages: 20-pin DIP, 20-pin SOP and 24-pin SOP.

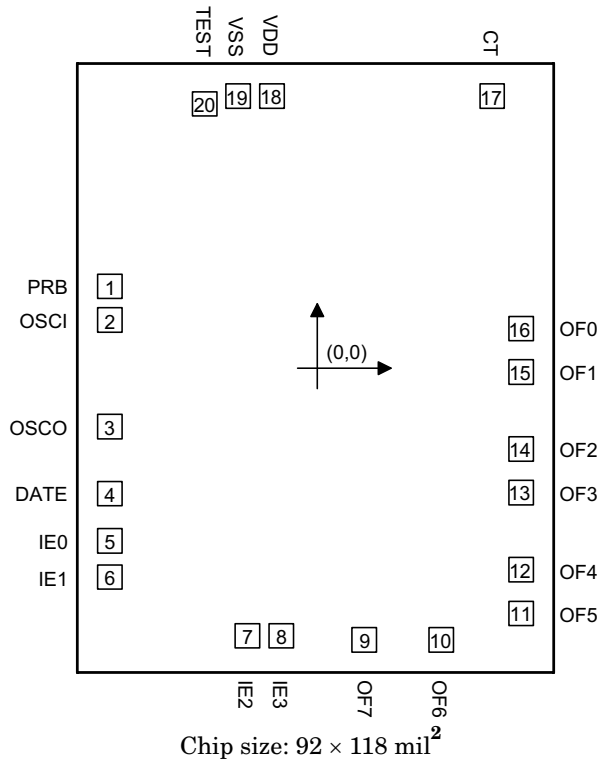
Block Diagram



Pin Assignment



Pad Assignment



* The IC substrate should be connected to VDD in the PCB layout artwork.

Pad Coordinates

Unit: mil

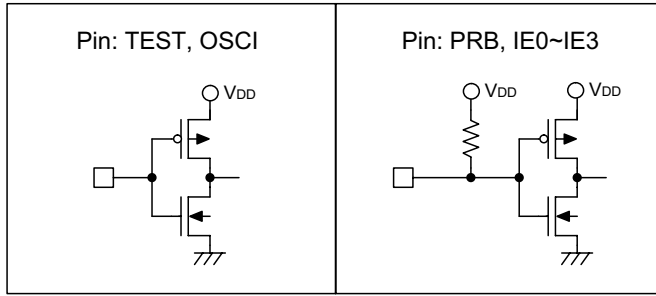
Pad No.	X	Y	Pad No.	X	Y
1	-40.88	16.11	11	40.12	-48.32
2	-40.88	9.48	12	40.12	-39.74
3	-40.88	-11.56	13	40.12	-24.57
4	-40.88	-24.78	14	40.12	-15.98
5	-40.88	-34.04	15	40.12	-0.81
6	-40.88	-41.18	16	40.12	7.78
7	-13.77	-52.78	17	34.47	53.59
8	-7.14	-52.78	18	-8.97	53.59
9	9.22	-53.55	19	-15.60	53.59
10	24.40	-53.55	20	-22.23	52.02

Pad Description

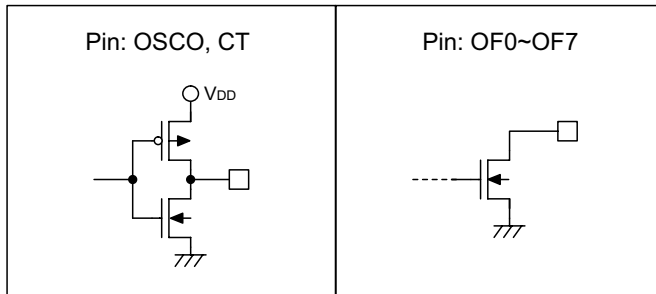
Pad No.	Pad Name	I/O	Internal Connection	Description
1	PRB	I	CMOS Pull-high	Power on reset
2	OSCI	I	CMOS	Oscillator input
3	OSCO	O	CMOS	Oscillator output
4	DATA	I/O	CMOS, NMOS Pull-high	Detect custom code and extended code
5~8	IE0~IE3	I	CMOS Pull-high	Detect input from key matrix
9~16	OF7~OF0	O	NMOS	Drive for key scan
17	CT	O	CMOS	Generates output transmission code
18	VDD	—	—	Positive power supply
19	VSS	—	—	Negative power supply
20	TEST	I	CMOS	TEST=Low normal mode TEST=High test mode

Approximate internal connection circuits

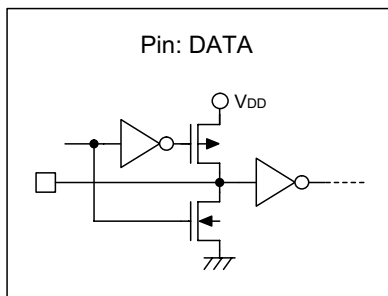
Input terminal



Output terminal



Bidirectional terminal



Absolute Maximum Ratings

Supply Voltage.....	-0.3V to 5.2V	Input Voltage.....	$V_{SS}-0.3$ to $V_{DD}+0.3$
Output Voltage.....	V_{SS} to V_{DD}	Storage Temperature.....	-40°C to 125°C
Operating Temperature.....	-20°C to 70°C		

Note: These are stress ratings only. Stresses exceeding the range specified under "Absolute Maximum Ratings" may cause substantial damage to the device. Functional operation of this device at other conditions beyond those listed in the specification is not implied and prolonged exposure to extreme conditions may affect device reliability.

Recommended Operating Condition
 $T_a = -20^{\circ}\text{C} \sim 70^{\circ}\text{C}$, unless otherwise noted

Symbol	Parameter	Test Conditions		Min.	Typ.	Max.	Unit
		V _{DD}	Conditions				
V _{DD}	Supply Voltage	—	—	2.2	—	3.6	V
V _{IH}	High-level Input Voltage IE0~IE3, DATA	3V	—	2.4V	3V	3V	V
	High-level Voltage PRB	3V	—	2.1V	3V	3V	
V _{IL}	Low-level Input Voltage IE0~IE3, DATA	3V	—	0	0	1.2V	V
	Low-level Input Voltage PRB	3V	—	0	0	0.9V	
f _{OSC}	Clock Oscillating Frequency	3V	—	—	455	—	kHz

Electric Characteristics
 $T_a = 25^{\circ}\text{C}$, V_{DD}=3V, V_{SS}=0V, unless otherwise noted

Symbol	Parameter	Test Conditions		Limits			Unit
		V _{DD}	Conditions	Min.	Typ.	Max.	
V _{DD}	Supply Voltage	—	f _{OSC} =455kHz, T _a =-20°C~70°C	2.2	—	3.6	V
I _{DD}	Supply Current (during operation)	3V	f _{OSC} =455kHz	—	0.1	0.3	mA
I _{DD}	Supply Current (while not in operation)	3V	—	—	—	1	μA
I _{OH}	High-level Output Current CT	3V	V _{OH} =2V	-5	-10	—	mA
I _{OL}	Low-level Output Current CT	3V	V _{OL} =0.9V	0.3	0.8	—	mA
	Low-level Output Current DATA	3V	V _{OL} =0.9V	1	4	—	
	Low-level Output Current OF0~OF7	3V	V _{OL} =0.9V	1	4	—	
R _I	Pull-up Resistance PRB	3V	—	—	80	—	kΩ
	Pull-up Resistance DATA	3V	—	—	70	—	
	Pull-up Resistance E0~E3	3V	—	—	70	—	

Functional Description

Key operation

The input pins (IE0~IE3) and the output pins (OF0~OF7) constitute a max. of 4×8 key matrix which is also called standard key. The extended key is formed by input pin DATA and the scan output (OF5~OF7). The 4×8 key matrix and the extended key can transmit a max. of 256 instruction.

CT maintains "L" and no transmission code is generated when two or more keys in standard key are pressed.

Table 1 shows the relationship between the key matrix and the transmission code.

Table 1

Transmission Code Key Input	D1	D0
IE0	0	0
IE1	0	1
IE2	1	0
IE3	1	1

Transmission Code Scan Output	D4	D3	D2
OF0	0	0	0
OF1	0	0	1
OF2	0	1	0
OF3	0	1	1
OF4	1	0	0
OF5	1	0	1
OF6	1	1	0
OF7	1	1	1

Transmission Code DATA Input	D7	D6	D5
OF5	—	—	1
OF6	—	1	—
OF7	1	—	—

Custom code

The custom code is made up of input pin DATA and scan output OF0~OF4. It has 8 bits (C0~C7); the lower 3 bits of the custom code (C5, C6 and C7) are fixed as "0".

Fig. 1 shows an example of custom code selection.

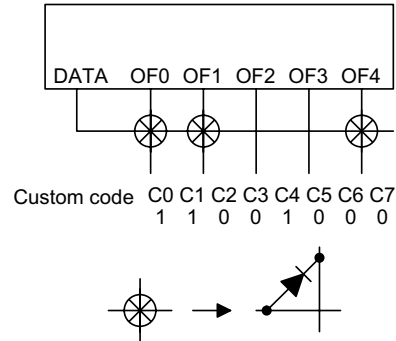


Fig. 1

Extended bit

The extended bit is formed by input pin DATA and the scan output (OF5~OF7). Fig. 2 shows an example of extended bit selection.

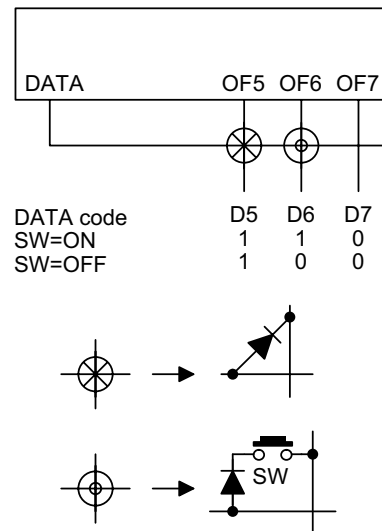


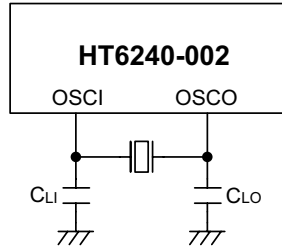
Fig. 2

Clock oscillating circuit

HT6240 has built-in feedback resistor and CMOS inverter, so a ceramic resonator can connect between the oscillator circuit input pin (OSCI) and the output pin (OSCO), (see Fig. 3).

When the ceramic resonator is set to 455kHz, the carrier can be set 38kHz.

The oscillating circuit will stop when there is no key pressed to save power dissipation.



Note: These capacitors depend on the resonators. Use the values recommended by the resonator manufacturer.

Fig. 3

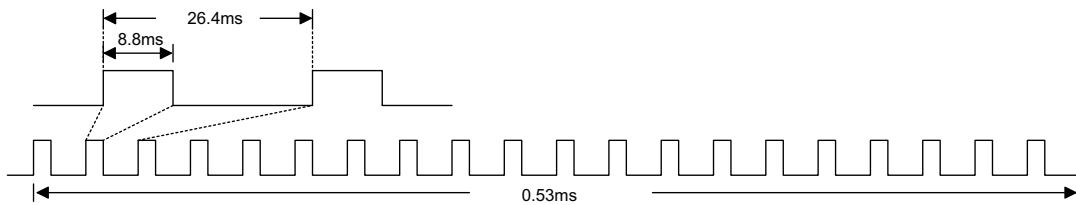


Fig. 4 Carrier

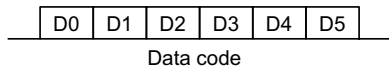


Fig. 5 Formation of the transmission code

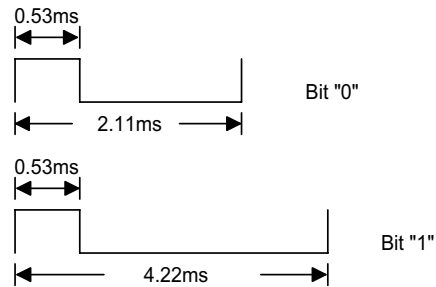


Fig. 6 Transmission code "0" and "1" and pulse width of HT6240-002

Transmission code

When the resonator is 455kHz, the carrier of the transmission signal is 38kHz. One pulse width is 0.53ms. Therefore, twenty 38kHz clocks are included in the 0.53ms pulse width. (Fig.4 shows the carrier)

HT6240-002 has two different formats. When the custom code is equal to zero, CT will send the 1st format. Otherwise, it will send the 2nd format.

If the custom code (C0~C7) is "0000 0000" then Fig. 5 shows the formation of the transmission code. Fig. 6 shows the transmission code "0" and "1" and pulse width. Fig. 7 shows the formation of the 1-word transmission code. If a legal key is pressed, HT6240-002 will send at least five words (see Fig. 8).

On table 2, the relationship between the key matrix and the transmission code is shown when custom code="0000 0000". The asterisks means that HT6240-002 can just send five words at a time even if a legal key is pressed for a long time. The others mean that HT6240-002 will send five or six words, even some more words if a legal key is still pressed.

Table 2

	OF0	OF1	OF2	OF3	OF4	OF5	OF6	OF7
IE0	00	04	08	0C	10*	14*	18*	1C*
IE1	01	05	09*	0D*	11*	15*	19*	1D*
IE2	02	06	0A*	0E*	12*	16*	1A*	1E*
IE3	03	07	0B*	0F*	13*	17*	1B*	1F*

There are 64 instructions when the custom code="0000 0000" in HT6240-002. The transmission output CT is still "L" and the transmission code will not be sent when two or more keys are pressed simultaneously.

If custom code \neq "0000 0000" then Fig. 9 shows the formation of the transmission code. The transmission code consists of a head pulse, 8-bit custom code and 8-bit data code. Fig. 10 shows bit "0" and bit "1".

The formation of a 1-word transmission code without carrier is shown in detail in Fig.11. Output CT should combine with the carrier when CT is high.

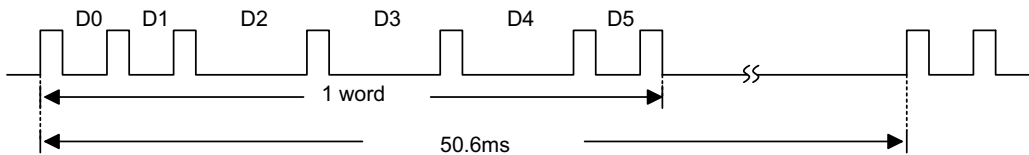


Fig. 7 The formation of the 1-word transmission code

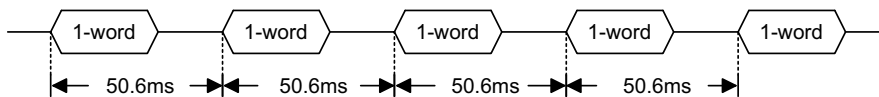


Fig. 8 A legal key will send at least five words

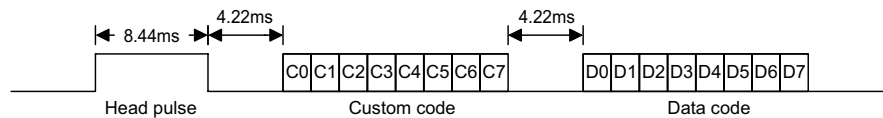


Fig. 9 The formation of the transmission code when custom code \neq "0000 0000"

CT will send at least three words if we press a legal key. CT may send three or four words, or several words depending on the length of time the legal key is pressed. (see Fig. 12)

Power on reset function (PRB)

The power on reset function can be activated by connecting a capacitor to PRB pin while power is applied. The time (t_C) must be longer than 0.1ms when the voltage in PRB pin (V_C) becomes higher than $0.3V_{DD}$ after the voltage in V_{DD} pin exceeds 2.2V.

When the power on reset function is activated, the standby state continues until an "L" is input to IE0~IE3.

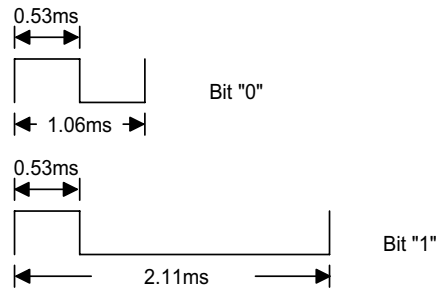


Fig. 10

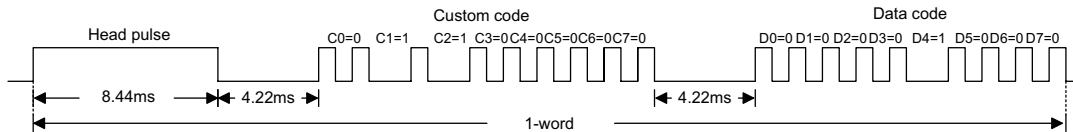


Fig. 11

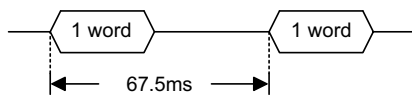


Fig. 12

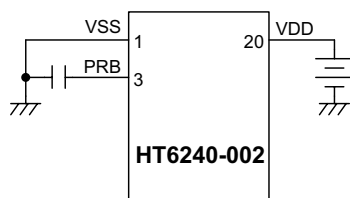


Fig. 13 Example of power-on reset function

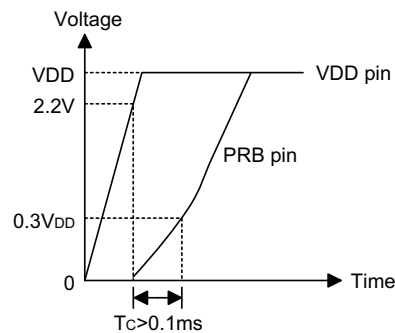
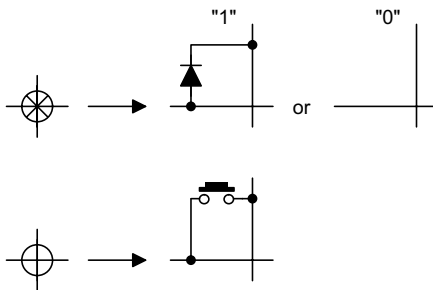
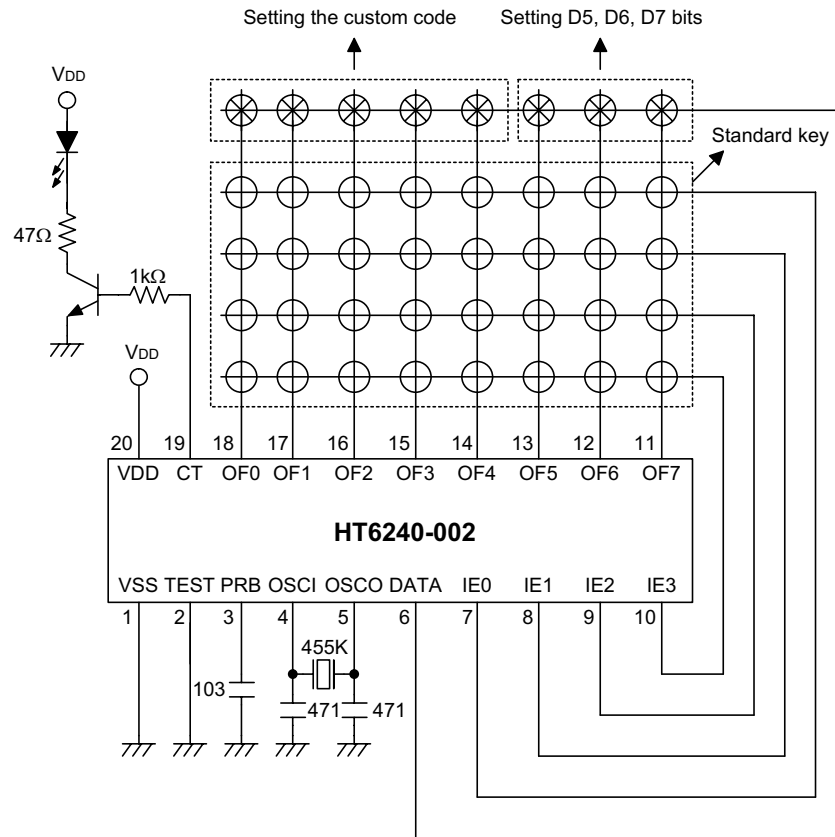


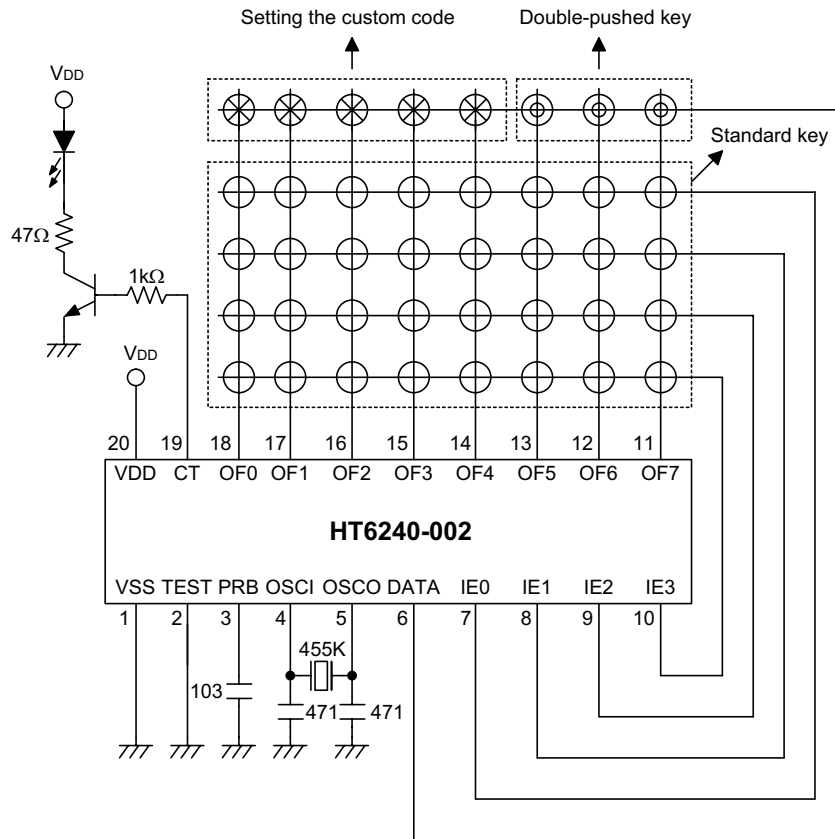
Fig. 14 Relationship between the PRB pin and the voltage

Application Circuits

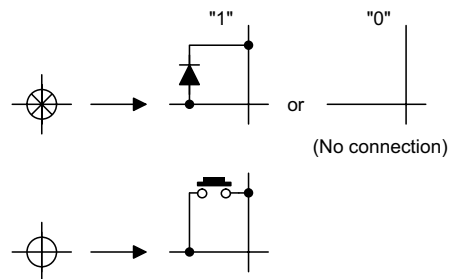
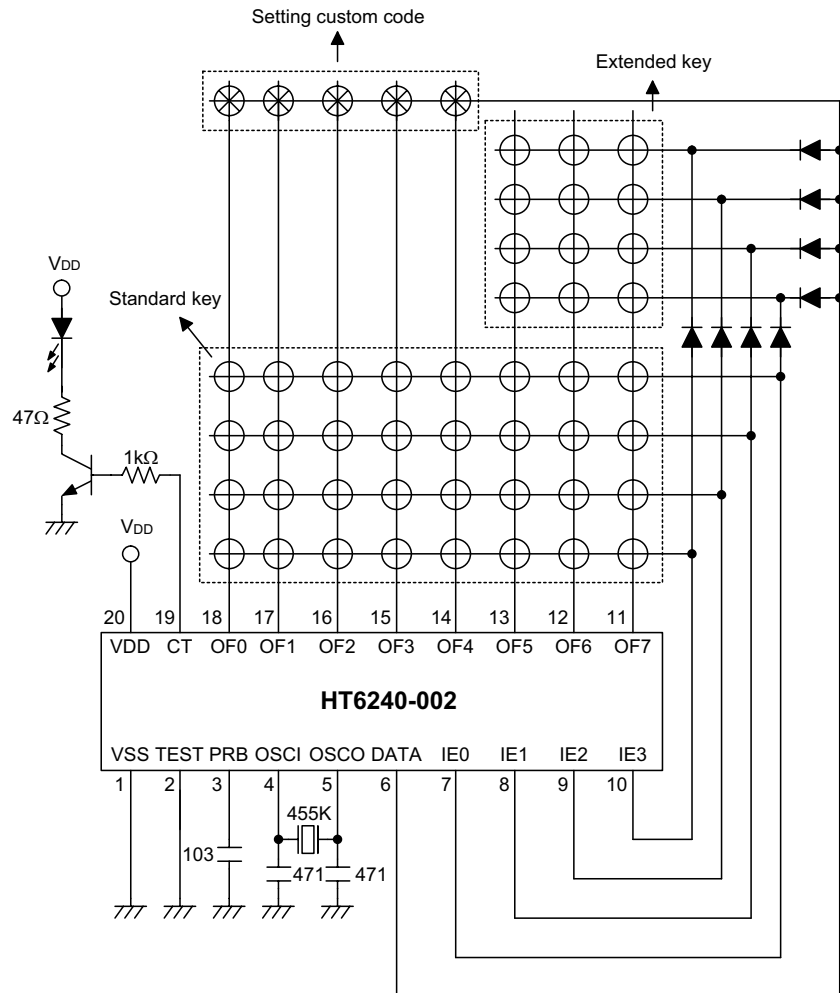
Example (1)



Example (2)



Example (3)



Holtek Semiconductor Inc. (Headquarters)

No.3 Creation Rd. II, Science-based Industrial Park, Hsinchu, Taiwan, R.O.C.
Tel: 886-3-563-1999
Fax: 886-3-563-1189

Holtek Semiconductor Inc. (Taipei Office)

5F, No.576, Sec.7 Chung Hsiao E. Rd., Taipei, Taiwan, R.O.C.
Tel: 886-2-2782-9635
Fax: 886-2-2782-9636
Fax: 886-2-2782-7128 (International sales hotline)

Holtek Semiconductor (Hong Kong) Ltd.

RM.711, Tower 2, Cheung Sha Wan Plaza, 833 Cheung Sha Wan Rd., Kowloon, Hong Kong
Tel: 852-2-745-8288
Fax: 852-2-742-8657

Copyright © 1999 by HOLTEK SEMICONDUCTOR INC.

The information appearing in this Data Sheet is believed to be accurate at the time of publication. However, Holtek assumes no responsibility arising from the use of the specifications described. The applications mentioned herein are used solely for the purpose of illustration and Holtek makes no warranty or representation that such applications will be suitable without further modification, nor recommends the use of its products for application that may present a risk to human life due to malfunction or otherwise. Holtek reserves the right to alter its products without prior notification. For the most up-to-date information, please visit our web site at <http://www.holtek.com.tw>.