



Pentium/Pro™ System Clock Chip

General Description

The ICS9148-32 is a Clock Synthesizer chip for Pentium and PentiumPro CPU based Desktop/Notebook systems that will provide all necessary clock timing.

Features include four CPU and eight PCI clocks. Three reference outputs are available equal to the crystal frequency. Additionally, the device meets the Pentium power-up stabilization requirement, assuring that CPU and PCI clocks are stable within 2ms after power-up.

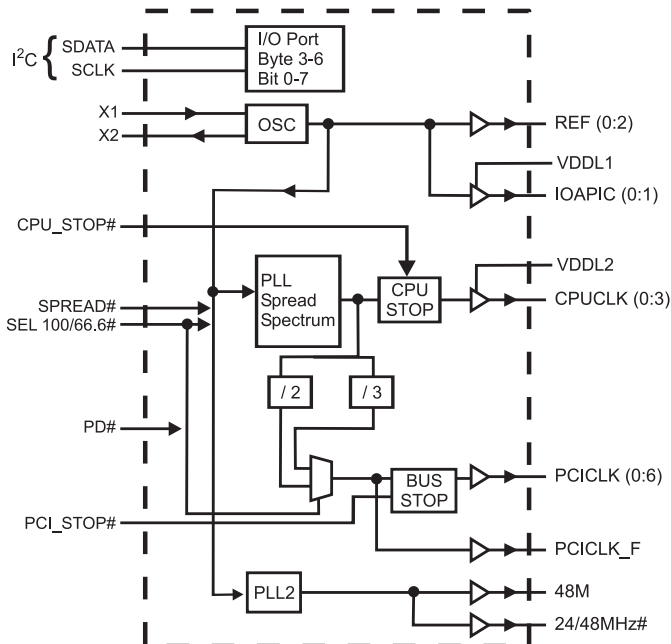
PD# pin enables low power mode by stopping crystal OSC and PLL stages. Other power management features include CPU_STOP#, which stops CPU (0:3) clocks, and PCI_STOP#, which stops PCICLK (0:6) clocks.

Serial I²C interface allows power management by output clock disabling.

High drive CPUCLK outputs typically provide greater than 1 V/ns slew rate into 20pF loads. PCICLK outputs typically provide better than 1V/ns slew rate into 30pF loads while maintaining 50±5% duty cycle. The REF clock outputs typically provide better than 0.5V/ns slew rates.

The ICS9148-32 accepts a 14.318MHz reference crystal or clock as its input and runs on a 3.3V core supply.

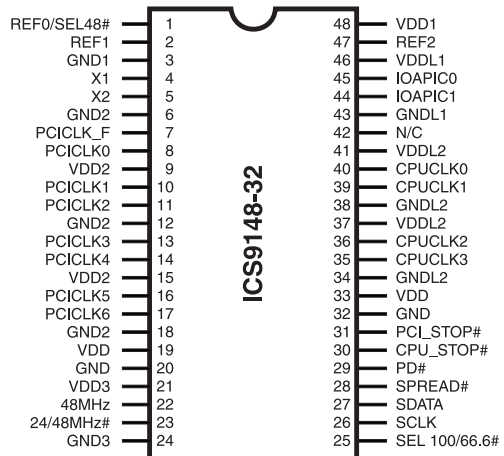
Block Diagram



Features

- Generates system clocks for CPU, IOAPIC, PCI, 14.314 MHz REF, USB, and Super I/O
- Supports single or dual processor systems
- I²C interface
- Supports Spread Spectrum modulation for CPU & PCI clocks, ±0.255% Center Spread or 0 to -0.6% Down Spread.
- Skew from CPU (earlier) to PCI clock 1 to 4ns
- CPU cycle to cycle jitter ±200ps
- 2.5V or 3.3V output: CPU, IOAPIC
- 3.3V outputs: PCI, REF, 48MHz
- No power supply sequence requirements
- Uses external 14.318MHz crystal, no external load cap required for C_L=18pF crystal
- 48 pin 300 mil SSOP

Pin Configuration



48-Pin SSOP

Power Groups

- VDD = Supply for PLL core
- VDD1 = REF (0:2), X1, X2
- VDD2 = PCICLK_F, PCICLK (0:6)
- VDD3 = 48MHz, 24/48MHz#
- VDDL1 = IOAPIC (0:1)
- VDDL2 = CPUCLK (0:3)

Ground Groups

- GND = Ground for PLL core
- GND1 = REF (0:2), X1, X2
- GND2 = PCICLK_F, PCICLK (0:6)
- GND3 = 48MHz, 24/48MHz#
- GNDL1 = IOAPIC (0:1)
- GNDL2 = CPUCLK (0:3)

Pentium is a trademark on Intel Corporation.



Pin Descriptions

PIN NUMBER	PIN NAME	TYPE	DESCRIPTION
1	REF0/SEL48#	OUT/IN	14.318MHz clock output / Latched input at power up. When low, pin 23 is 48MHz.
2, 47	REF (1:2)	OUT	14.318MHz clock output
3	GND1	PWR	Ground for REF outputs
4	X1	IN	XTAL_IN 14.318MHz Crystal input, has internal 33pF load cap and feed back resistor from X2
5	X2	OUT	XTAL_OUT Crystal output, has internal load cap 33pF
6, 12, 18	GND2	PWR	Ground for PCI outputs
7	PCICLK_F	OUT	Free Running PCI output
8, 10, 11, 13, 14, 16, 17	PCICLK (0:6)	OUT	PCI clock outputs. TTL compatible 3.3V
9, 15	VDD2	PWR	Power for PCICLK outputs, nominally 3.3V
19, 33	VDD	PWR	Isolated power for core, nominally 3.3V
20, 32	GND	PWR	Isolated ground for core
21	VDD3	PWR	Power for 48MHz outputs, nominally 3.3V
22	48MHz	OUT	48MHz output
23	24/48MHz#	OUT	Fixed clock output. 24MHz if pin1=1 at power up 48MHz if pin 1=0 at power up
24	GND3	PWR	Ground for 48MHz outputs
25	SEL100/66.6#	IN	Select pin for enabling 100MHz or 66.6MHz H=100MHz, L=66.6MHz (PCI always synchronous 33.3MHz)
26	SCLK	IN	Clock input for I ² C input
27	SDATA	IN	Data input for I ² C input
28 ¹	SPREAD#	IN	Enables Spread Spectrum feature when LOW
29 ¹	PD#	IN	Powers down chip, active low
30 ¹	CPU_STOP#	IN	Halts CPU clocks at logic "0" level when low
31 ¹	PCI_STOP#	IN	Halts PCI Bus at logic "0" level when low
37, 41	VDDL2	PWR	Power for CPU outputs, nominally 2.5V
34, 38	GNDL2	PWR	Ground for CPU outputs.
35, 36, 39, 40	CPUCLK (3:0)	OUT	CPU and Host clock outputs, nominally 2.5V
42	N/C	-	Not internally connected
43	GNDL1	PWR	Ground for IOAPIC outputs
44, 45	IOAPIC (0:1)	OUT	IOAPIC outputs (14.318MHz) nominally 2.5V
46	VDDL1	PWR	Power for IOAPIC outputs, nominally 2.5V

Select Functions

Functionality	CPU	PCI, PCI_F	REF	IOAPIC	48 MHz Selection
Tristate	HI - Z	HI - Z	HI - Z	HI - Z	HI - Z
Testmode	TCLK/2 ¹	TCLK/6 ¹	TCLK ¹	TCLK ¹	TCLK/2 ¹
Spread Spectrum	Modulated ²	Modulated ²	14.318MHz	14.318MHz	48.0MHz



Technical Pin Function Descriptions

VDD, VDD (1,2,3)

This is the power supply to the internal core logic of the device as well as the clock output buffers for REF(0:2), PCICLK_F, PCICLK (0:6), 48MHz0, 48MHz1.

This pin operates at 3.3V volts. Clocks from the listed buffers that it supplies will have a voltage swing from Ground to this level. For the actual guaranteed high and low voltage levels for the Clocks, please consult the DC parameter table in this data sheet.

VDDL (1,2)

This is the power supply for the CPUCLK (0:3) and IOAPIC output buffers. The voltage level for these outputs may be 2.5 or 3.3volts. Clocks from the buffers that each supplies will have a voltage swing from Ground to this level. For the actual Guaranteed high and low voltage levels of these Clocks, please consult the DC parameter table in this Data Sheet.

GND, GND (1,2,3)

This is the ground to the internal core logic of the device as well as the clock output buffers for REF(0:2), PCICLK_F, PCICLK (0:6), 48MHz0, 48MHz1.

GNDL (1,2)

This is the ground for the CPUCLK (0:3) and IOAPIC output buffers.

X1

This input pin serves one of two functions. When the device is used with a Crystal, X1 acts as the input pin for the reference signal that comes from the discrete crystal. When the device is driven by an external clock signal, X1 is the device input pin for that reference clock. This pin also implements an internal Crystal loading capacitor that is connected to ground. With a nominal value of 33pF no external load cap is needed for a $C_L=17$ to 18pF crystal.

X2

This Output pin is used only when the device uses a Crystal as the reference frequency source. In this mode of operation, X2 is an output signal that drives (or excites) the discrete Crystal. The X2 pin will also implement an internal Crystal loading capacitor nominally 33pF.

CPUCLK (0:3)

These Output pins are the Clock Outputs that drive processor and other CPU related circuitry that requires clocks which are in tight skew tolerance with the CPU clock. The voltage swing of these Clocks is controlled by the Voltage level applied to the VDDL2 pin of the device. See the Functionality Table for a list of the specific frequencies that are available for these Clocks and the selection codes to produce them.

48MHz

This is a fixed frequency Clock output that is typically used to drive USB devices.

24/48MHz

Fixed frequency clock output. 24MHz output if Pin1=1 at power up. 48MHz if pin1=0 at power up.

IOAPIC (0:1)

This Output is a fixed frequency Output Clock that runs at the Reference Input (typically 14.31818MHz) . Its voltage level swing is controlled by VDDL1 and may operate at 2.5 or 3.3volts.

REF0/SEL 48#

This is an input pin during power up only. During power up if high, then pin 23 is a 24MHz fixed clock during normal operation. If Low during power up, pin 23 is a 48MHz fixed clock during normal operation. During normal operation, REF0 is an output which is a fixed frequency running at 14.318MHz.

REF(1:2)

The REF Outputs are fixed frequency Clocks that run at the same frequency as the Input Reference Clock X1 or the Crystal (typically 14.31818MHz) attached across X1 and X2.

PCICLK_F

This Output is equal to PCICLK(0:6) and is FREE RUNNING, and will not be stopped by PCI_STOP#.

PCICLK (0:6)

These Output Clocks generate all the PCI timing requirements for a Pentium/Pro based system. They conform to the current PCI specification. They run at 33.3 MHz.

SEL 100/66.6#

This Input pin controls the frequency of the Clocks at the CPUCLK, PCICLK and SDRAM output pins. If a logic "1" value is present on this pin, the 100MHz Clock will be selected. If a logic "0" is used, the 66.6MHz frequency will be selected. The PCI clock is multiplexed to be 33.3MHz for both select cases. PCI is synchronous at the rising edge of PCI to the CPU rising edge (with the skew making CPU early).



Technical Pin Function Descriptions

PWR_DWN#

This is an asynchronous active Low Input pin used to Power Down the device into a Low Power state by not removing the power supply. The internal Clocks are disabled and the VCO and Crystal are stopped. Powered Down will also place all the Outputs in a low state at the end of their current cycle. The latency of Power Down will not be greater than 3ms.

CPU_STOP#

This is a synchronous active Low Input pin used to stop the CPUCLK clocks in an active low state. All other Clocks including SDRAM clocks will continue to run while this function is enabled. The CPUCLK's will have a turn ON latency of at least 3 CPU clocks. This input pin is valid only when MODE=0 (Power Management Mode)

PCI_STOP#

This is a synchronous active Low Input pin used to stop the PCICLK clocks in an active low state. It will not affect PCICLK_F nor any other outputs. This input pin is valid only when MODE=0 (Power Management Mode)



Power Management

Clock Enable Configuration

CPU_STOP#	PCI_STOP#	PWR_DWN#	CPUCLK	PCICLK	Other Clocks, REF, IOAPICs, 48 MHz 0 48 MHz 1	Crystal	VCOs
X	X	0	Low	Low	Stopped	Off	Off
0	0	1	Low	Low	Running	Running	Running
0	1	1	Low	33.3 MHz	Running	Running	Running
1	0	1	100/66.6MHz	Low	Running	Running	Running
1	1	1	100/66.6MHz	33.3 MHz	Running	Running	Running

Full clock cycle timing is guaranteed at all times after the system has initially powered up except where noted. During power up and power down operations using the PD# select pin will not cause clocks of a shorter or longer pulse than that of the running clock. The first clock pulse coming out of a stopped clock condition may be slightly distorted due to clock network charging circuitry. Board routing and signal loading may have a large impact on the initial clock distortion also.

ICS9148-32 Power Management Requirements

SIGNAL	SIGNAL STATE	Latency No. of rising edges of free running PCICLK
CPU_STOP#	0 (Disabled) ²	1
	1 (Enabled) ¹	1
PCI_STOP#	0 (Disabled) ²	1
	1 (Enabled) ¹	1
PD#	1 (Normal Operation) ³	3ms
	0 (Power Down) ⁴	2max

Notes.

1. Clock on latency is defined from when the clock enable goes active to when the first valid clock comes out of the device.
2. Clock off latency is defined from when the clock enable goes inactive to when the last clock is driven low out of the device.
3. Power up latency is when PD# goes inactive (high) to when the first valid clocks are output by the device.
4. Power down has controlled clock counts applicable to CPUCLK, PCICLK only.
The REF and IOAPIC will be stopped independent of these.



Serial Bitmap

Byte 3: Functionality & Frequency Select & Spread Select Register

Bit	Description				PWD
7	0: Center Spread $\pm 0.255\%$ 1: Down Spread 0 to -0.6%				0
6:4	SEL 100/66.6# or Bit 6	Bits 5 4	CPU MHz	PCI MHz	000
	0	0 0	68.5	34.25	
	0	0 1	75	37.5	
	0	1 0	83.3	41.6	
	0	1 1	66.6	33.3	
	1	0 0	103	34.3	
	1	0 1	112	37.3	
	1	1 0	133.3	44.43	
3	0 - Frequency is selected by hardware select SEL100166.6# 1 - Frequency is selected by 6:4 above				0
2	(Reserved)				
10	00 - Normal operation 01 - Test mode 10 - Spread spectrum ON 11 - Tristate all outputs				00

Byte 4:

Bit	Pin#	Pin Name	PWD	Description	
				Bit Value = 0	Bit Value = 1
7	-	-	-	(Reserved)	(Reserved)
6	-	-	-	(Reserved)	(Reserved)
5	-	-	-	(Reserved)	(Reserved)
4	-	-	-	(Reserved)	(Reserved)
3	35	CPUCLK3	1	Disabled (low)	Enabled
2	36	CPUCLK2	1	Disabled (low)	Enabled
1	39	CPUCLK1	1	Disabled (low)	Enabled
0	40	CPUCLK0	1	(Disabled) (low)	Enabled

Notes: 1 = Enabled; 0 = Disabled, outputs held low

Note: PWD = Power-Up Default



Byte 5:

Bit	Pin#	Pin Name	PWD	Description	
				Bit Value = 0	Bit Value = 1
7	7	PCICLK_F	1	Disabled (low)	Enabled
6	14	PCICLK6	1	Disabled (low)	Enabled
5	16	PCICLK5	1	Disabled (low)	Enabled
4	14	PCICLK4	1	Disabled (low)	Enabled
3	13	PCICLK3	1	Disabled (low)	Enabled
2	11	PCICLK2	1	Disabled (low)	Enabled
1	6	PCICLK1	1	Disabled (low)	Enabled
0	5	PCICLK0	1	Disabled (low)	Enabled

Notes: 1 = Enabled; 0 = Disabled, outputs held low

Byte 6:

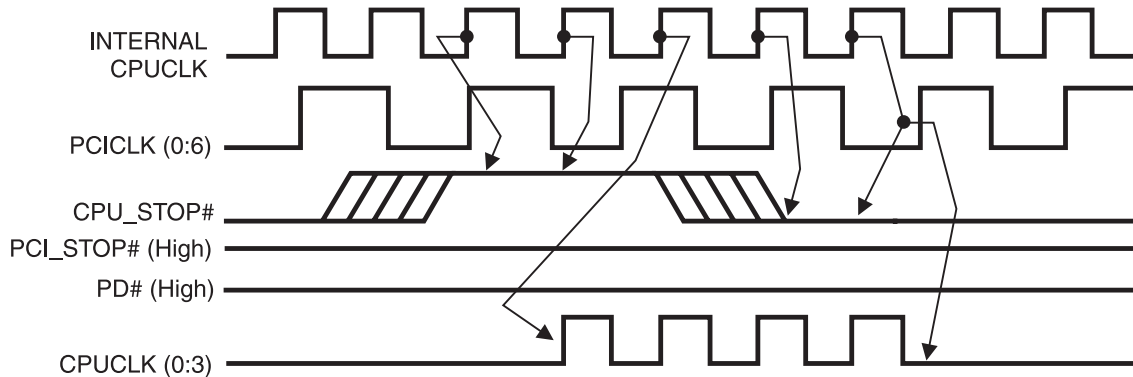
Bit	Pin#	Pin Name	PWD	Description	
				Bit Value = 0	Bit Value = 1
7	-	-	0	(Reserved)	(Reserved)
6	-	-	0	(Reserved)	(Reserved)
5	44	IOAPIC1	1	Disabled (low)	Enabled
4	45	IOAPIC1	0	Disabled (low)	Enabled
3	-	-	0	(Reserved)	(Reserved)
2	47	REF2	0	Disabled (low)	Enabled
1	2	REF1	1	(Disabled) (low)	Enabled
0	1	REF0	1	(Disabled) (low)	Enabled

Notes: 1 = Enabled; 0 = Disabled, outputs held low



CPU_STOP# Timing Diagram

CPUSTOP# is an asynchronous input to the clock synthesizer. It is used to turn off the CPUCLKs for low power operation. CPU_STOP# is synchronized by the ICS9148-32. The minimum that the CPUCLK is enabled (CPU_STOP# high pulse) is 100 CPUCLKs. All other clocks will continue to run while the CPUCLKs are disabled. The CPUCLKs will always be stopped in a low state and start in such a manner that guarantees the high pulse width is a full pulse. CPUCLK on latency is less than 4 CPUCLKs and CPUCLK off latency is less than 4 CPUCLKs.

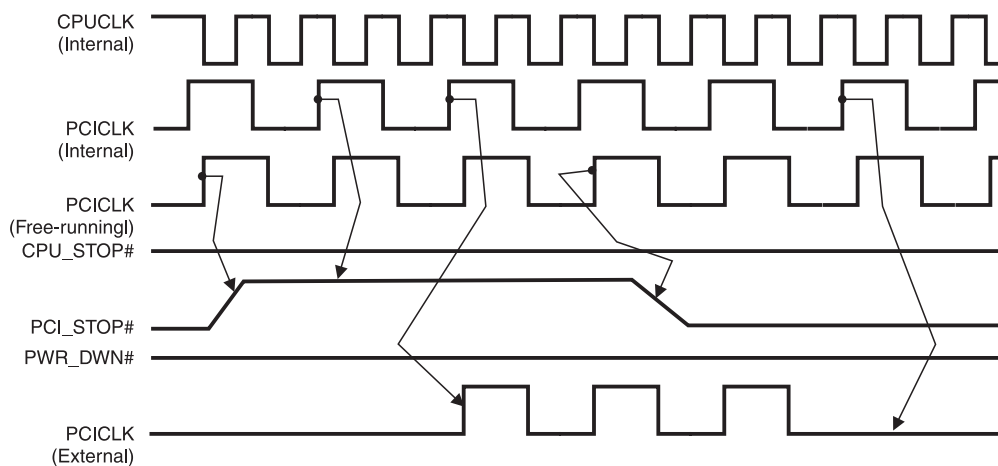


Notes:

1. All timing is referenced to the internal CPUCLK.
2. CPU_STOP# is an asynchronous input and metastable conditions may exist. This signal is synchronized to the CPUCLKs inside the ICS9148-32.
3. All other clocks continue to run undisturbed.
4. PD# and PCI_STOP# are shown in a high (true) state.

PCI_STOP# Timing Diagram

PCI_STOP# is an asynchronous input to the ICS9148-32. It is used to turn off the PCICLK (0:6) clocks for low power operation. PCI_STOP# is synchronized by the ICS9148-32 internally. The minimum that the PCICLK (0:6) clocks are enabled (PCI_STOP# high pulse) is at least 10 PCICLK (0:6) clocks. PCICLK (0:6) clocks are stopped in a low state and started with a full high pulse width guaranteed. PCICLK (0:6) clock on latency cycles are only one rising PCICLK. Clock off latency is one PCICLK clock.



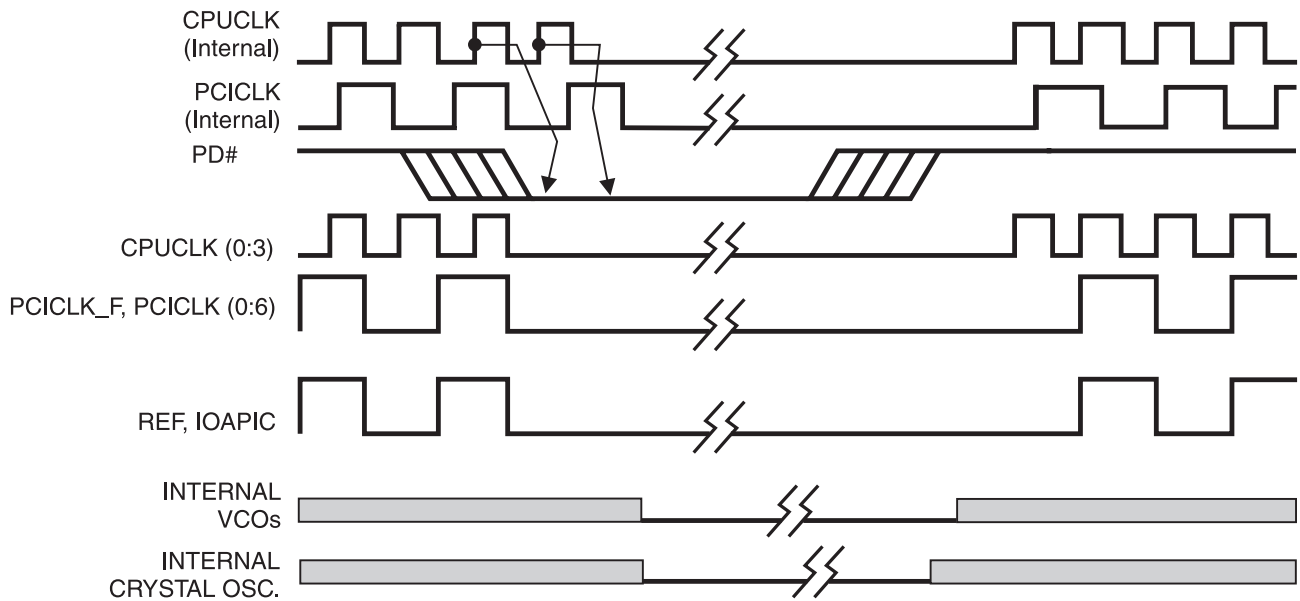
Notes:

1. All timing is referenced to the Internal CPUCLK (defined as inside the ICS9148 device.)
2. PCI_STOP# is an asynchronous input, and metastable conditions may exist. This signal is required to be synchronized inside the ICS9148-32.
3. All other clocks continue to run undisturbed.
4. PD# and CPU_STOP# are shown in a high (true) state.



PD# Timing Diagram

The power down selection is used to put the part into a very low power state without turning off the power to the part. PD# is an asynchronous active low input. This signal is synchronized internally by the ICS9148-32 prior to its control action of powering down the clock synthesizer. Internal clocks will not be running after the device is put in power down state. When PD# is active (low) all clocks are driven to a low state and held prior to turning off the VCOs and the Crystal oscillator. The power on latency is guaranteed to be less than 3ms. The power down latency is less than three CPUCLK cycles. PCI_STOP# and CPU_STOP# are don't care signals during the power down operations.



Notes:

1. All timing is referenced to the Internal CPUCLK (defined as inside the ICS9148 device).
2. PD# is an asynchronous input and metastable conditions may exist. This signal is synchronized inside the ICS9148.
3. The shaded sections on the VCO and the Crystal signals indicate an active clock is being generated.



Absolute Maximum Ratings

Supply Voltage	7.0 V
Logic Inputs	GND-0.5 V to V _{DD} +0.5 V
Ambient Operating Temperature	0°C to +70°C
Storage Temperature	-65°C to +150°C

Stresses above those listed under *Absolute Maximum Ratings* may cause permanent damage to the device. These ratings are stress specifications only and functional operation of the device at these or any other conditions above those listed in the operational sections of the specifications is not implied. Exposure to absolute maximum rating conditions for extended periods may affect product reliability.

Electrical Characteristics - Input/Supply/Common Output Parameters

T_A = 0 - 70C; Supply Voltage V_{DD} = V_{DDL} = 3.3 V +/-5% (unless otherwise stated)

PARAMETER	SYMBOL	CONDITIONS	MIN	TYP	MAX	UNITS
Input High Voltage	V _{IH}		2		V _{DD} +0.3	V
Input Low Voltage	V _{IL}		V _{SS} -0.3		0.8	V
Input High Current	I _{IH}	V _{IN} = V _{DD}		0.1	5	μA
Input Low Current	I _{IL1}	V _{IN} = 0 V; Inputs with no pull-up resistors	-5	2.0		μA
Input Low Current	I _{IL2}	V _{IN} = 0 V; Inputs with pull-up resistors	-200	-100		μA
Operating Supply Current	I _{DD3.3OP66}	C _L = 0 pF; Select @ 66MHz		60	170	mA
	I _{DD3.3OP100}	C _L = 0 pF; Select @ 100MHz		66	170	
Power Down Supply Current	I _{DD3.3PD}	C _L = 0 pF; With input address to V _{DD} or GND		3	650	μA
Input frequency	F _i	V _{DD} = 3.3 V;		14.318		MHz
Input Capacitance ¹	C _{IN}	Logic Inputs			5	pF
	C _{INX}	X1 & X2 pins	27	36	45	pF
Transition Time ¹	T _{trans}	To 1st crossing of target Freq.			3	ms
Settling Time ¹	T _s	From 1st crossing to 1% target Freq.		5		ms
Clk Stabilization ¹	T _{STAB}	From V _{DD} = 3.3 V to 1% target Freq.			3	ms
Skew ¹	T _{AGP-PCI}	V _T = 1.5 V;	1	3.5	4	ns

¹Guaranteed by design, not 100% tested in production.

Electrical Characteristics - Input/Supply/Common Output Parameters

T_A = 0 - 70C; Supply Voltage V_{DD} = 3.3 V +/-5%, V_{DDL} = 2.5 V +/-5% (unless otherwise stated)

PARAMETER	SYMBOL	CONDITIONS	MIN	TYP	MAX	UNITS
Operating Supply Current	I _{DD2.5OP66}	C _L = 0 pF; Select @ 66.8 MHz		16	72	mA
	I _{DD2.5OP100}	C _L = 0 pF; Select @ 100 MHz		23	100	mA
Power Down Supply Current	I _{DD2.5PD}	C _L = 0 pF; With input address to V _{DD} or GND		10	100	μA
Skew ¹	t _{CPU-AGP}		0	0.5	1	ns
	t _{CPU-PCI2}	V _T = 1.5 V; V _{IL} = 1.25 V	1	2.6	4	ns

¹Guaranteed by design, not 100% tested in production.



Electrical Characteristics - CPUCLK

T_A = 0 - 70C; V_{DD} = 3.3 V +/-5%, V_{DDL} = 2.5 V +/-5%; C_L = 20 pF (unless otherwise stated)

PARAMETER	SYMBOL	CONDITIONS	MIN	TYP	MAX	UNITS
Output High Voltage	V _{OH2B}	I _{OH} = -12.0 mA	2	2.3		V
Output Low Voltage	V _{OL2B}	I _{OL} = 12 mA		0.2	0.4	V
Output High Current	I _{OH2B}	V _{OH} = 1.7 V		-41	-19	mA
Output Low Current	I _{OL2B}	V _{OL} = 0.7 V	19	37		mA
Rise Time	t _{r2B} ¹	V _{OL} = 0.4 V, V _{OH} = 2.0 V		1.25	1.6	ns
Fall Time	t _{f2B} ¹	V _{OH} = 2.0 V, V _{OL} = 0.4 V		1	1.6	ns
Duty Cycle	d _{t2B} ¹	V _T = 1.25 V	45	48	55	%
Skew	t _{sk2B} ¹	V _T = 1.25 V		30	175	ps
Jitter, Cycle-to-cycle	t _{j_{cyc-cyc}2B} ¹	V _T = 1.25 V		150	250	ps
Jitter, One Sigma	t _{j1s2B} ¹	V _T = 1.25 V		40	150	ps
Jitter, Absolute	t _{jabs2B} ¹	V _T = 1.25 V	-250	140	+250	ps

¹Guaranteed by design, not 100% tested in production.

Electrical Characteristics - IOAPIC

T_A = 0 - 70C; V_{DD} = 3.3 V +/-5%, V_{DDL} = 2.5 V +/-5%; C_L = 20 pF

PARAMETER	SYMBOL	CONDITIONS	MIN	TYP	MAX	UNITS
Output High Voltage	V _{OH4B}	I _{OH} = -18 mA	2	2.2		V
Output Low Voltage	V _{OL4B}	I _{OL} = 18 mA		0.33	0.4	V
Output High Current	I _{OH4B}	V _{OH} = 1.7 V		-41	-28	mA
Output Low Current	I _{OL4B}	V _{OL} = 0.7 V	29	37		mA
Rise Time ¹	T _{r4B}	V _{OL} = 0.4 V, V _{OH} = 2.0 V		1.3	1.6	ns
Fall Time ¹	T _{f4B}	V _{OH} = 2.0 V, V _{OL} = 0.4 V		1.1	1.6	ns
Duty Cycle ¹	D _{t4B}	V _T = 1.25 V	45	54	55	%
Skew ¹	t _{sk4B} ¹	V _T = 1.25 V		60	250	ps
Jitter, One Sigma ¹	T _{j1s4B}	V _T = 1.25 V		1	3	%
Jitter, Absolute ¹	T _{jabs4B}	V _T = 1.25 V	-5		5	%

¹Guaranteed by design, not 100% tested in production.

ICS9148-32



Electrical Characteristics - PCICLK

$T_A = 0 - 70^\circ\text{C}$; $V_{DD} = V_{DDL} = 3.3\text{ V} \pm 5\%$; $C_L = 30\text{ pF}$

PARAMETER	SYMBOL	CONDITIONS	MIN	TYP	MAX	UNITS
Output High Voltage	V_{OH1}	$I_{OH} = -11\text{ mA}$	2.4	3.1		V
Output Low Voltage	V_{OL1}	$I_{OL} = 9.4\text{ mA}$		0.1	0.4	V
Output High Current	I_{OH1}	$V_{OH} = 2.0\text{ V}$		-62	-22	mA
Output Low Current	I_{OL1}	$V_{OL} = 0.8\text{ V}$	16	57		mA
Rise Time ¹	t_{r1}	$V_{OL} = 0.4\text{ V}$, $V_{OH} = 2.4\text{ V}$		1.5	2	ns
Fall Time ¹	t_{f1}	$V_{OH} = 2.4\text{ V}$, $V_{OL} = 0.4\text{ V}$		1.1	2	ns
Duty Cycle ¹	d_{t1}	$V_T = 1.5\text{ V}$	45	50	55	%
Skew ¹	t_{sk1}	$V_T = 1.5\text{ V}$		140	500	ps
Jitter, One Sigma ¹	t_{j1s1}	$V_T = 1.5\text{ V}$		17	150	ps
Jitter, Absolute ¹	t_{jabs1}	$V_T = 1.5\text{ V}$	-500	70	500	ps

¹Guaranteed by design, not 100% tested in production.

Electrical Characteristics - REF

$T_A = 0 - 70^\circ\text{C}$; $V_{DD} = V_{DDL} = 3.3\text{ V} \pm 5\%$; $C_L = 20\text{ pF}$ (unless otherwise stated)

PARAMETER	SYMBOL	CONDITIONS	MIN	TYP	MAX	UNITS
Output High Voltage	V_{OH5}	$I_{OH} = -12\text{ mA}$	2.6	3.1		V
Output Low Voltage	V_{OL5}	$I_{OL} = 9\text{ mA}$		0.17	0.4	V
Output High Current	I_{OH5}	$V_{OH} = 2.0\text{ V}$		-44	-22	mA
Output Low Current	I_{OL5}	$V_{OL} = 0.8\text{ V}$	29	42		mA
Rise Time ¹	t_{r5}	$V_{OL} = 0.4\text{ V}$, $V_{OH} = 2.4\text{ V}$		1.4	2	ns
Fall Time ¹	t_{f5}	$V_{OH} = 2.4\text{ V}$, $V_{OL} = 0.4\text{ V}$		1.1	2	ns
Duty Cycle ¹	d_{t5}	$V_T = 1.5\text{ V}$	47	54	57	%
Jitter, One Sigma ¹	t_{j1s5}	$V_T = 1.5\text{ V}$		1	3	%
Jitter, Absolute ¹	t_{jabs5}	$V_T = 1.5\text{ V}$		3	5	%

¹Guaranteed by design, not 100% tested in production.

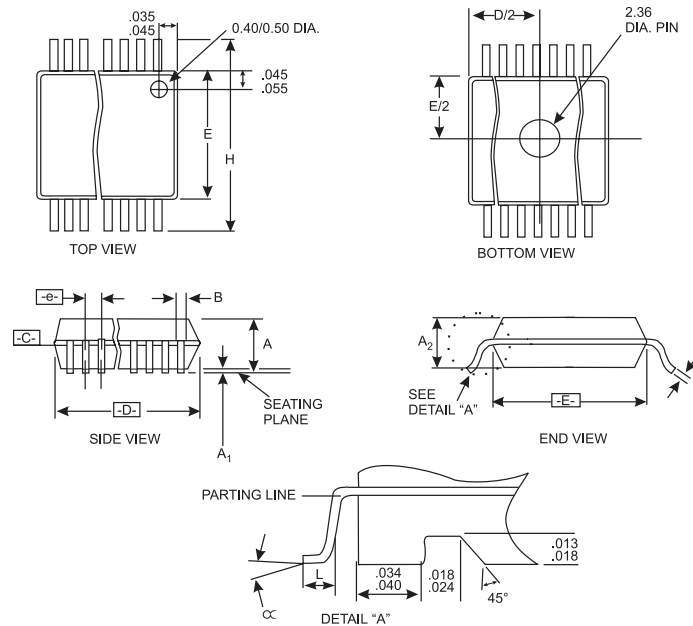


Electrical Characteristics - 48, 24 MHz

T_A = 0 - 70C; V_{DD} = V_{DDL} = 3.3 V +/-5%; C_L = 20 pF (unless otherwise stated)

PARAMETER	SYMBOL	CONDITIONS	MIN	TYP	MAX	UNITS
Output High Voltage	V _{OH5}	I _{OH} = -12 mA	2.6	3		V
Output Low Voltage	V _{OL5}	I _{OL} = 9 mA		0.14	0.4	V
Output High Current	I _{OH5}	V _{OH} = 2.0 V		-44	-22	mA
Output Low Current	I _{OL5}	V _{OL} = 0.8 V	16	42		mA
Rise Time ¹	t _{r5}	V _{OL} = 0.4 V, V _{OH} = 2.4 V		1.2	4	ns
Fall Time ¹	t _{f5}	V _{OH} = 2.4 V, V _{OL} = 0.4 V		1.2	4	ns
Duty Cycle ¹	d _{t5}	V _T = 1.5 V	45	52	55	%
Jitter, One Sigma ¹	t _{j1s5}	V _T = 1.5 V		1	3	%
Jitter, Absolute ¹	t _{jabs5}	V _T = 1.5 V		3	5	%

¹Guaranteed by design, not 100% tested in production.



SSOP Package

SYMBOL	COMMON DIMENSIONS			VARIATIONS	D			N
	MIN.	NOM.	MAX.		MIN.	NOM.	MAX.	
A	.095	.101	.110	AC	.620	.625	.630	48
A1	.008	.012	.016	AD	.720	.725	.730	56
A2	.088	.090	.092					
B	.008	.010	.0135					
C	.005	.006	.0085					
D	See Variations							
E	.292	.296	.299					
e	0.025 BSC							
H	.400	.406	.410					
h	.010	.013	.016					
L	.024	.032	.040					
N	See Variations							
∞	0°	5°	8°					
X	.085	.093	.100					

This table in inches

Ordering Information

ICS9148F-32

Example:

ICS XXXX F - PPP

