



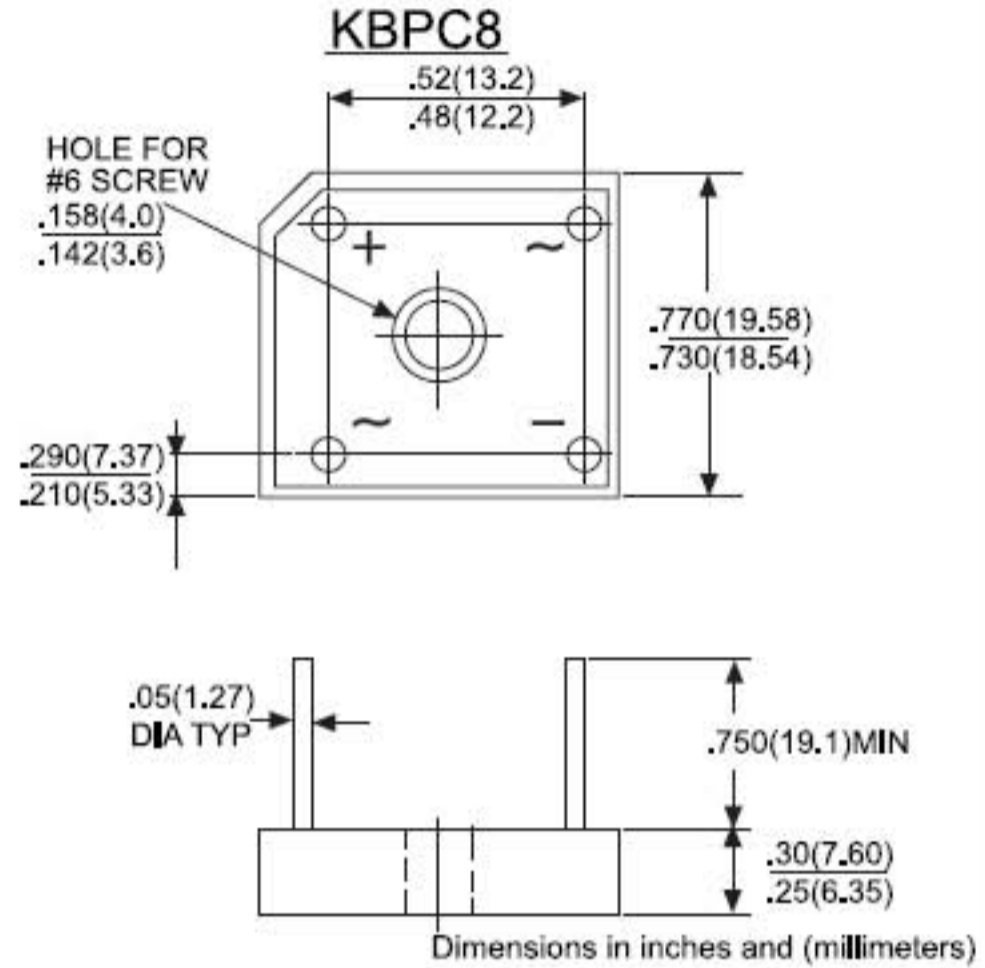
# KBPC10/BR10 SERIES

**SINGLE PHASE 10.0 AMPS.  
SILICON BRIDGE RECTIFIERS**

**Voltage Range  
50 to 1000 VOLTS  
Current  
10.0 Amperes**

## Features

- UL Recognized File # E-230084
- High surge current capability
- Low forward voltage drop
- High temperature soldering guaranteed:  
250°C/10 seconds/.375", (9.5mm)  
lead lengths at 5 lbs., (2.3kg) tension
- Small size, simple installation
- Leads solderable per MIL-STD-202,  
Method 208



## MAXIMUM RATINGS AND ELECTRICAL CHARACTERISTICS

Rating at 25°C ambient temperature unless otherwise specified.  
Single phase, half wave, 60Hz, resistive or inductive load.  
For capacitive load, derate current by 20%

Type Number		BR10005 KBPC10005	BR1001 KBPC1001	BR1002 KBPC1002	BR1004 KBPC1004	BR1006 KBPC1006	BR1008 KBPC1008	BR1010 KBPC1010	UNITS
Maximum Repetitive Peak Reverse Voltage	V <sub>RRM</sub>	50	100	200	400	600	800	1000	V
Maximum RMS Voltage	V <sub>RMS</sub>	35	70	140	280	420	560	700	V
Maximum DC Blocking Voltage	V <sub>DC</sub>	50	100	200	400	600	800	1000	V
Maximum Average Forward Rectified Current @ T <sub>A</sub> = 50°C	I <sub>F(AV)</sub>	10.0							A
Peak Forward Surge Current, 8.3 ms Single Half Sine-wave Superimposed on Rated Load (JEDEC method)	I <sub>FSM</sub>	250							A
Maximum Instantaneous Forward Voltage Drop Per Leg @ 5.0A	V <sub>F</sub>	1.1							V
Maximum DC Reverse Current @ T <sub>A</sub> = 25°C at Rated DC Blocking Voltage @ T <sub>A</sub> = 100°C	I <sub>R</sub>	5 100							uA uA
Operating Temperature Range	T <sub>J</sub>	-55 to +125							°C
Storage Temperature Range	T <sub>STG</sub>	-55 to +150							°C

# RATING AND CHARACTERISTIC CURVES KBPC10/BR10 SERIES



FIG.1- MAXIMUM NON-REPEETITIVE FORWARD SURGE CURRENT PER BRIDGE ELEMENT

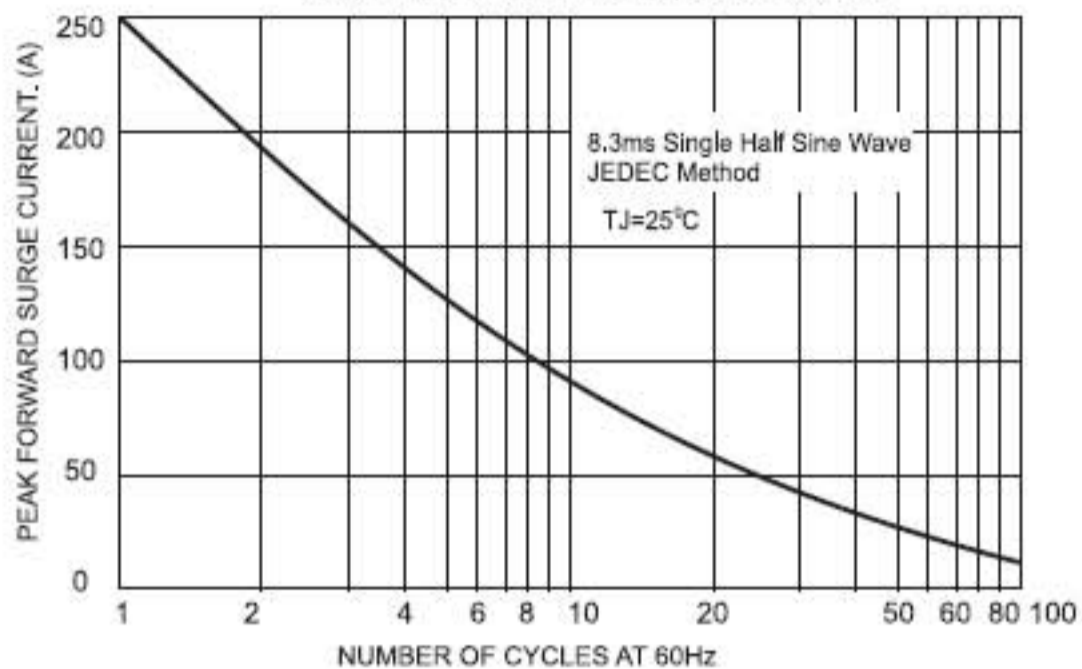


FIG.2- MAXIMUM FORWARD CURRENT DERATING CURVE

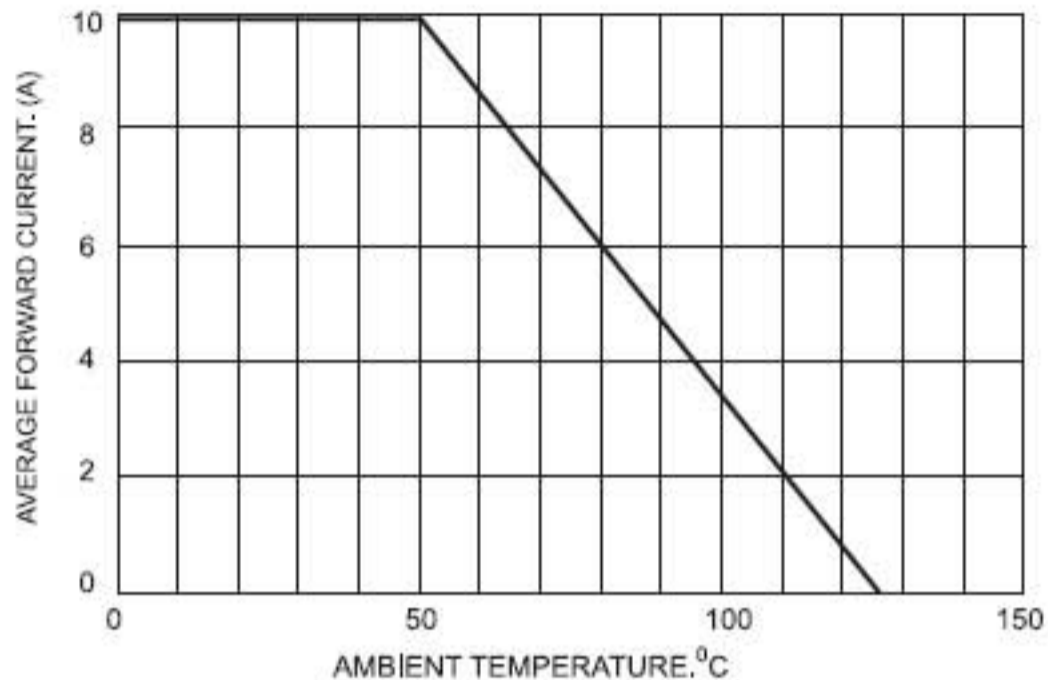


FIG.3- TYPICAL INSTANTANEOUS FORWARD CHARACTERISTICS PER BRIDGE ELEMENT

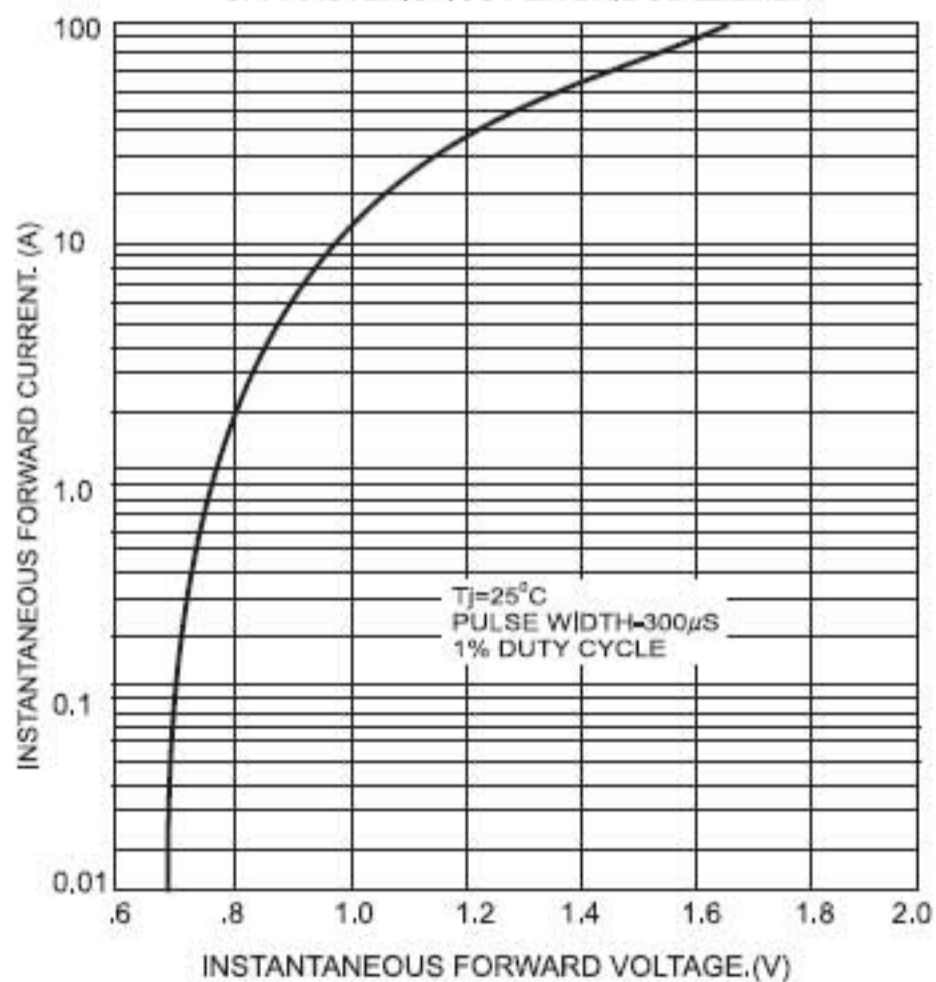


FIG.4- TYPICAL REVERSE CHARACTERISTICS PER BRIDGE ELEMENT

