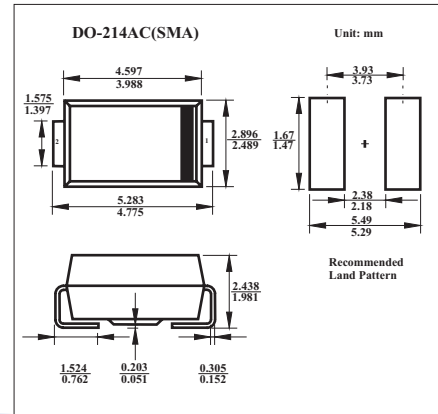


## Surface Mount Schottky Barrier Rectifier KS22 THRU KS26

### ■ Features

- For surface mounted applications.
- Low profile package.
- Built-in strain relief.
- Metal silicon junction, majority carrier conduction.
- Low power loss, high efficiency.
- High current capability, low forward voltage drop.
- High surge capability.



### ■ Absolute Maximum Ratings $T_a = 25^\circ\text{C}$

Parameter	Symbol	KS22	KS23	KS24	KS25	KS26	Unit
Maximum repetitive peak reverse voltage	$V_{RRM}$	20	30	40	50	60	V
Maximum RMS voltage	$V_{RMS}$	14	21	28	35	42	V
Maximum DC blocking voltage	$V_{DC}$	20	30	40	50	60	V
Peak forward surge current 8.3ms single half sine-wave superimposed on rated load (JEDEC Method)	$I_{(AV)}$	2					A
Maximum average forward rectified current at TL	$I_{FSM}$	50					A
Maximum instantaneous forward voltage at 1.0A * 1	$V_F$	0.5		0.7			V
Maximum DC reverse current * 1 $T_A=25^\circ\text{C}$ at rated DC blocking voltage $T_A=100^\circ\text{C}$	$I_R$	0.4					mA
		10					
Typical thermal resistance	$R_{\theta JA}$	55					$^\circ\text{C/W}$
	$R_{\theta JL}$	17					
Operating junction temperature range	$T_J$	-65 to +125			-65 to +150		$^\circ\text{C}$
Storage temperature range	$T_{stg}$	-65 to +150					$^\circ\text{C}$

\* 1. Pulse test: 300ms pulse width, 1% duty cycle.

### ■ Marking

NO.	KS22	KS23	KS24	KS25	KS26
Marking	SS22	SS23	SS24	SS25	SS26