

DUAL FULL BRIDGE

PRODUCT PREVIEW

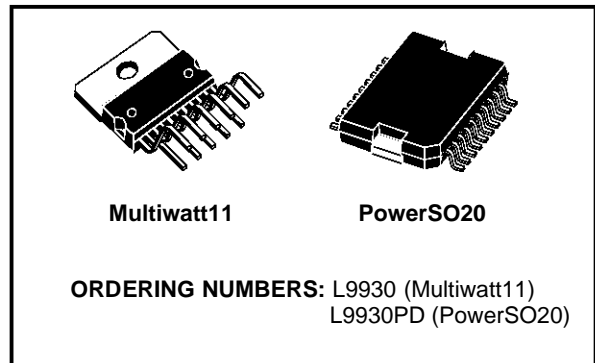
- $R_{DS\ ON} = 2\Omega$
- INTERNAL CLAMPING VOLTAGE = 32V
- INTERNAL FREE WHEELING DIODES
- PARALLEL DRIVE CAPABILITY
- RESISTIVE OR INDUCTIVE LOAD

PROTECTION:

- TEMPERATURE PROTECTION
- SHORT-CIRCUIT PROTECTION (V_{bat} , LOAD, GND)

DETECTION:

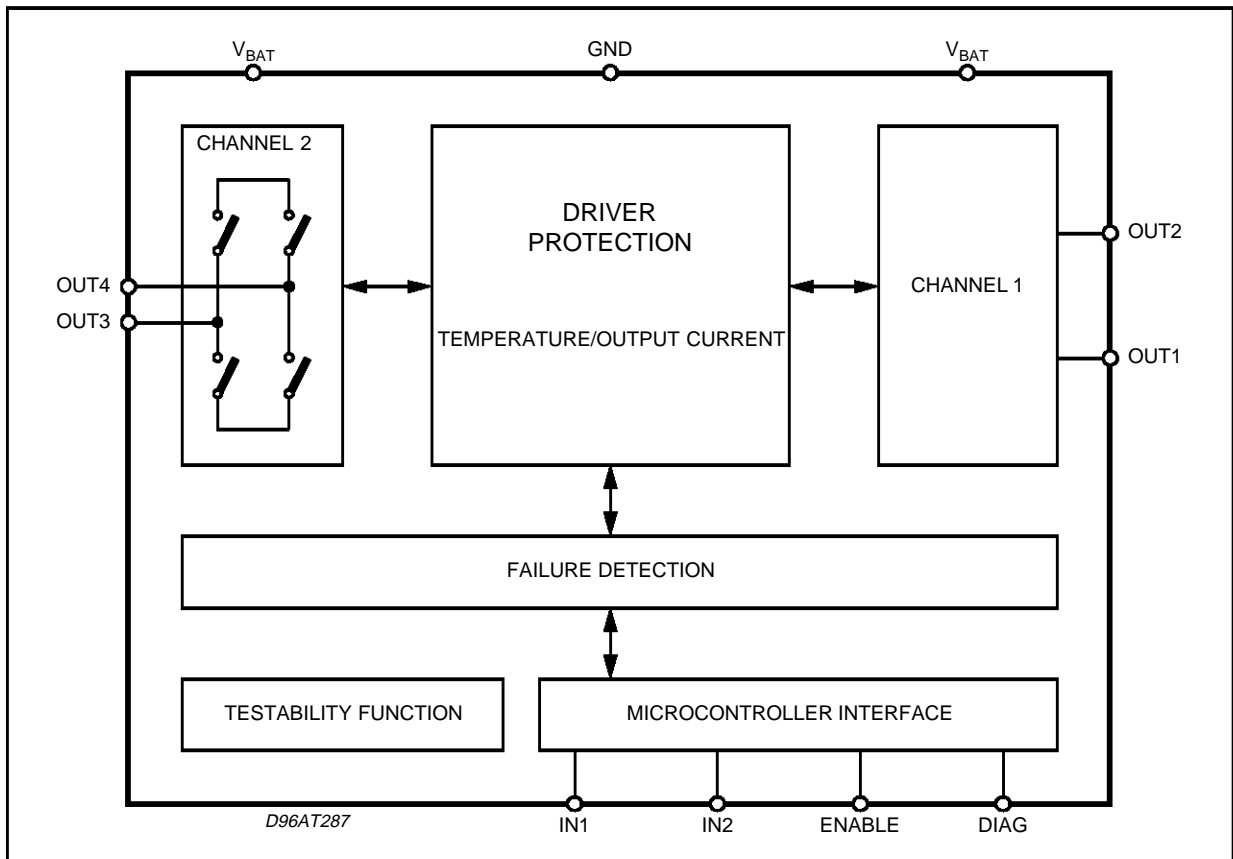
- SHORTED LOAD
- OPEN LOAD
- OVERTEMPERATURE



DESCRIPTION

The L9930 is a dual full-bridge. The output stages are Power Mos switches.

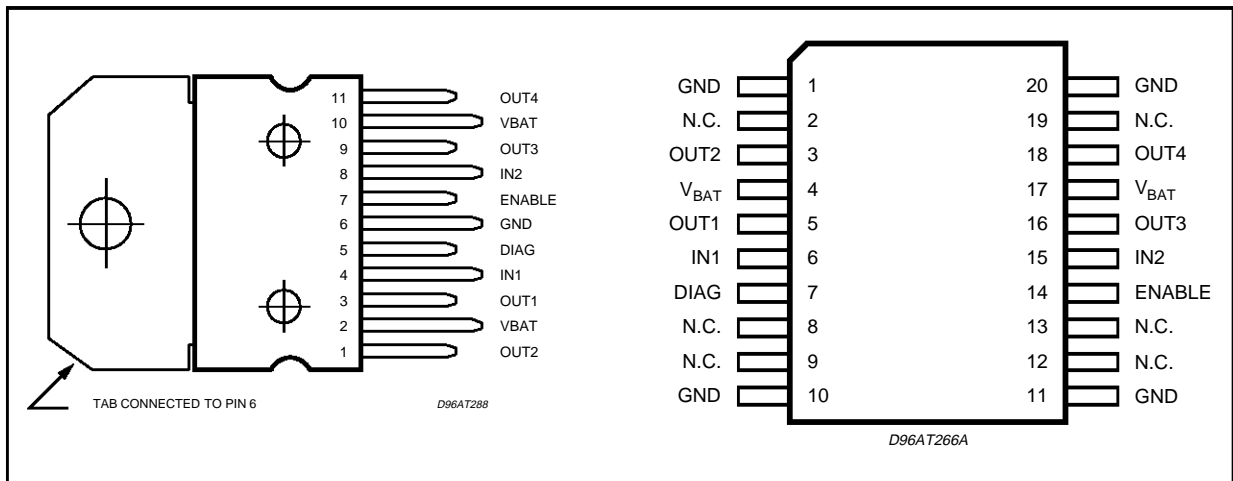
BLOCK DIAGRAM



ABSOLUTE MAXIMUM RATINGS

Symbol	Parameter	Value	Unit
E	Clamped Energy at the Switching off	6 (max)	mJ
V _{out DC}	Continuous Output Voltage	24 (max)	V
V _{out tr}	Transient Output Voltage	32 (max)	V
V _{bat DC}	Continuous Battery Voltage	8 to 24	V
V _{bat tr}	Transient Battery Voltage	45 (max)	V
I _{out}	Reverse Output Current	- 2 (max)	A
f _{in}	Input Frequency	500 (max)	Hz
V _{in}	Input Voltage	- 0.3 to +7	V
V _{diag}	Diagnostic Voltage	- 0.3 to +7	V
T _s	Storage Temperature	- 55 to 150	°C
T _j	Operating Junction Temperature	- 40 to 150	°C
V _{ESD}	V _{ESD} (Note MIL STD 883C)	3000	V

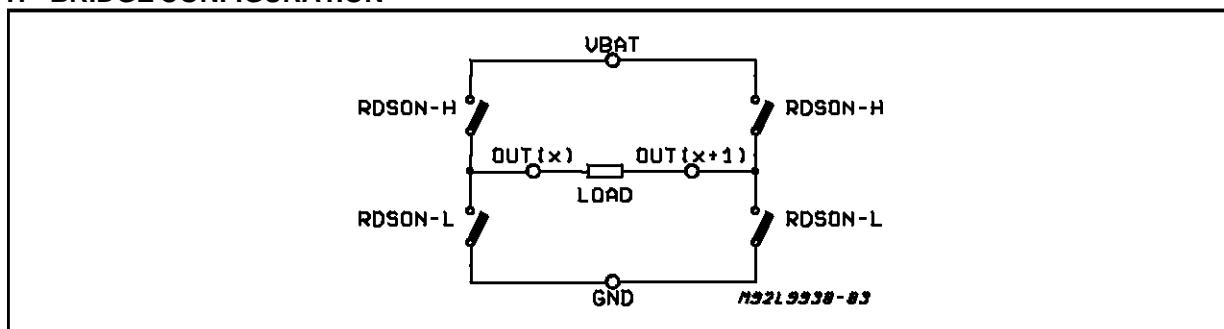
PIN CONNECTION



PIN FUNCTIONS

MW11	PowerSO20	Name	Function
1	3	OUT 2	Output Channel 1
2	4	V _{BAT}	Power Supply
3	5	OUT 1	Output Channel 1
4	6	IN 1	Input Channel 1
5	7	DIAG	Diagnostic Output Common for the 2 Channels
6	1, 10, 11, 20	GND	Ground
7	14	ENABLE	Enable
8	15	IN 2	Input Channel 2
9	16	OUT 3	Output Channel 2
10	17	V _{BAT}	Power Supply
11	18	OUT 4	Output Channel 2
	2, 8, 9, 12, 13, 19	NC	Not Connected

H - BRIDGE CONFIGURATION



THERMAL DATA

Symbol	Parameter	Value	Unit
$R_{th\ j-case}$	Thermal Resistance Junction to Case	max.	$^{\circ}C/W$
$R_{th\ j-amb}$	Thermal resistance Junction to Ambient	max.	$^{\circ}C/W$

ELECTRICAL CHARACTERISTICS ($V_{bat} = 8$ to $18V$ $t_J = -40$ to $+150^{\circ}C$, unless otherwise specified.)

Symbol	Parameter	Test Condition	Min.	Typ.	Max.	Unit
R_{DSon-H}	ON Resistance	$I_{out} = 0.5A$		2	4.3	Ω
R_{DSon-L}	ON Resistance	$I_{out} = 0.5A$		2	4.3	Ω
V_{OCL}	Clamping Voltage	$I_{out} = 0.1A$		32		V
V_F	Clamp Diode Forward Voltage	$I_{out} = 0.5A$		1.3		V
T_R	Output Voltage Rise Time	$V_{out}; 0.1$ to $0.9 V_{out}$ (see fig. 1) NOT LOADED		50	100	μs
T_F	Output Voltage Fall Time	$V_{out}; 0.9$ to $0.1 V_{out}$ (see fig. 1) NOT LOADED		50	100	μs
T_{DR}	Input to Output Rising edge Delay	$0.5 V_{IN}$ to $0.1 V_{out}$ (see fig. 1) NOT LOADED			50	μs
T_{DF}	Input to Output Falling Edge Delay	$0.5 V_{IN}$ to $0.9 V_{out}$ (see fig. 1) NOT LOADED			50	μs

OUTPUT PROTECTIONS CHARACTERISTICS

I_{SC}	Short Circuit Typical Application (see fig 2)	$T_{amb} = -40^{\circ}C$	0.45		2.6	A
		$T_{amb} = 25^{\circ}C$	0.38		2.6	A
		$T_{amb} = 125^{\circ}C$	0.28		2.6	A
I_{SC}	Short Circuit Typical Application with Shottky Diodes (see fig 3)		0.8		2.6	A
T_{SD}	Temperature		160			$^{\circ}C$
T_{HYST}	Temperature Hysteresis			20		$^{\circ}C$

These protections switch off the full bridge.

OUTPUT DETECTIONS CHARACTERISTICS

R_{OPL-L}	Open-load Threshold Resistor		80			Ω
R_{OPL-H}			100			Ω

SUPPLY CHARACTERISTICS

I_{QH}	Supply Current	$R_{LOAD1} = R_{LOAD2} = \infty$ $V_{BAT} = 14V$, $IN1 = IN2 = ENABLE = 5V$			15	mA
I_{QL}		$R_{load1} = R_{load2} = 50\Omega$ $V_{BAT} = 12V$, $ENABLE = 0V$ $IN1 = IN2 = 0V$			0.5	mA

ELECTRICAL CHARACTERISTICS

INPUTS CHARACTERISTICS (normal and standby mode)

Symbol	Parameter	Test Condition	Min.	Typ.	Max.	Unit
V_{IH}	High Threshold				4	V
V_{IL}	Low Threshold		1			V
I_{NH1}	Input Current 1	$V_{IN} = 4V$			200	μA
I_{NLO}	Input Current 2	$V_{IN} = 1V$			50	μA

DIAGNOSTIC CHARACTERISTICS

V_{DIAGL}	Low Level Voltage	$I_{DIAG} = 2mA$		0.6	0.8	V
I_{DIAGH}	Leakage Current	$V_{DIAG} = 5.25V$		5	10	μA

INITIALIZATION CHARACTERISTICS

T_{INIT}	Initialization Timing	$V_{BAT} = 12V$	10			μs
T_{STUP}	Start-Up Timing	$V_{BAT} = 12V$	1			ms
T_{RESET}	Reset		10			μs

FILTER CHARACTERISTICS

T_{FILTER}			64	112	170	μs
T_{DIAG}			4	6	10	μs
T_{SYNC}			4	6	10	μs

TRUE TABLE

ENAB	IN1	IN2	OUT1	OUT2	OUT3	OUT4	MODE	DIAG
0	0	0	HZ	HZ	HZ	HZ	STANDBY	?
0	0	1	HZ	HZ	HZ	HZ	NORMAL	?
0	1	0	HZ	HZ	HZ	HZ	NORMAL	?
0	1	1	HZ	HZ	HZ	HZ	NORMAL	?
1	0	0	HSD	LSD	HSD	LSD	NORMAL	VALID
1	0	1	HSD	LSD	LSD	HSD	NORMAL	VALID
1	1	0	LSD	HSD	HSD	LSD	NORMAL	VALID
1	1	1	LSD	HSD	LSD	HSD	NORMAL	VALID

Figure 1:

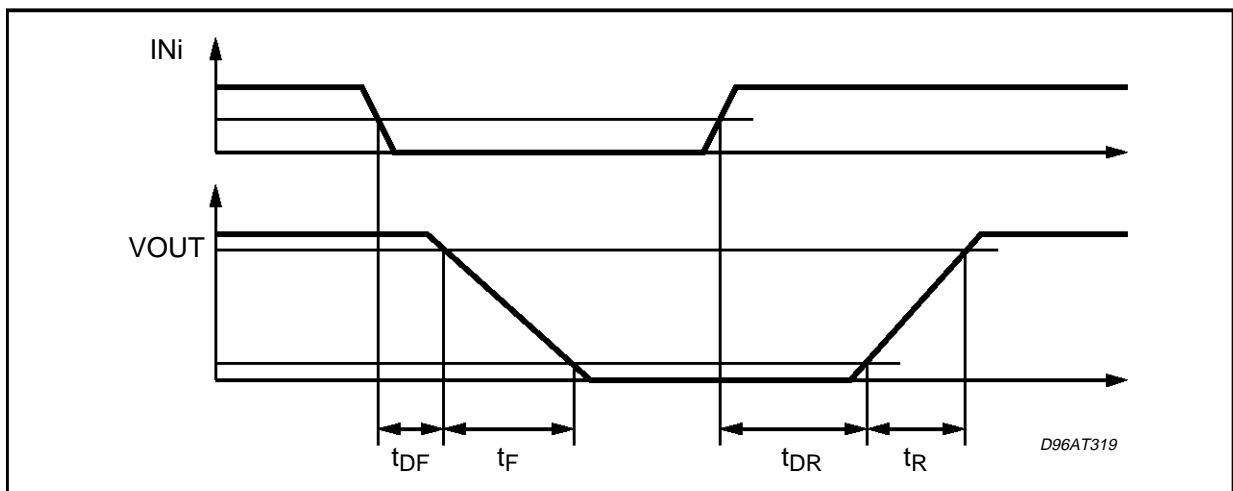


Figure 2: Typical Application

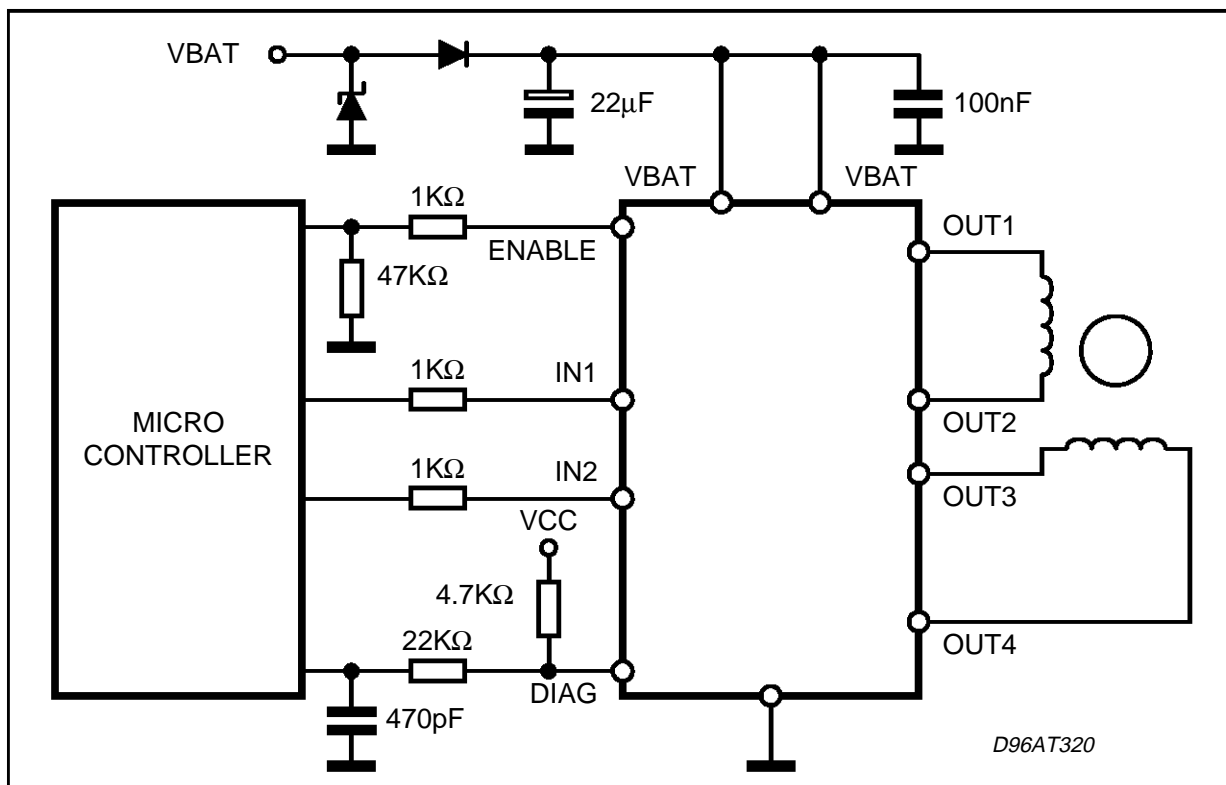


Figure 3: Typical Application with Shottky Diodes

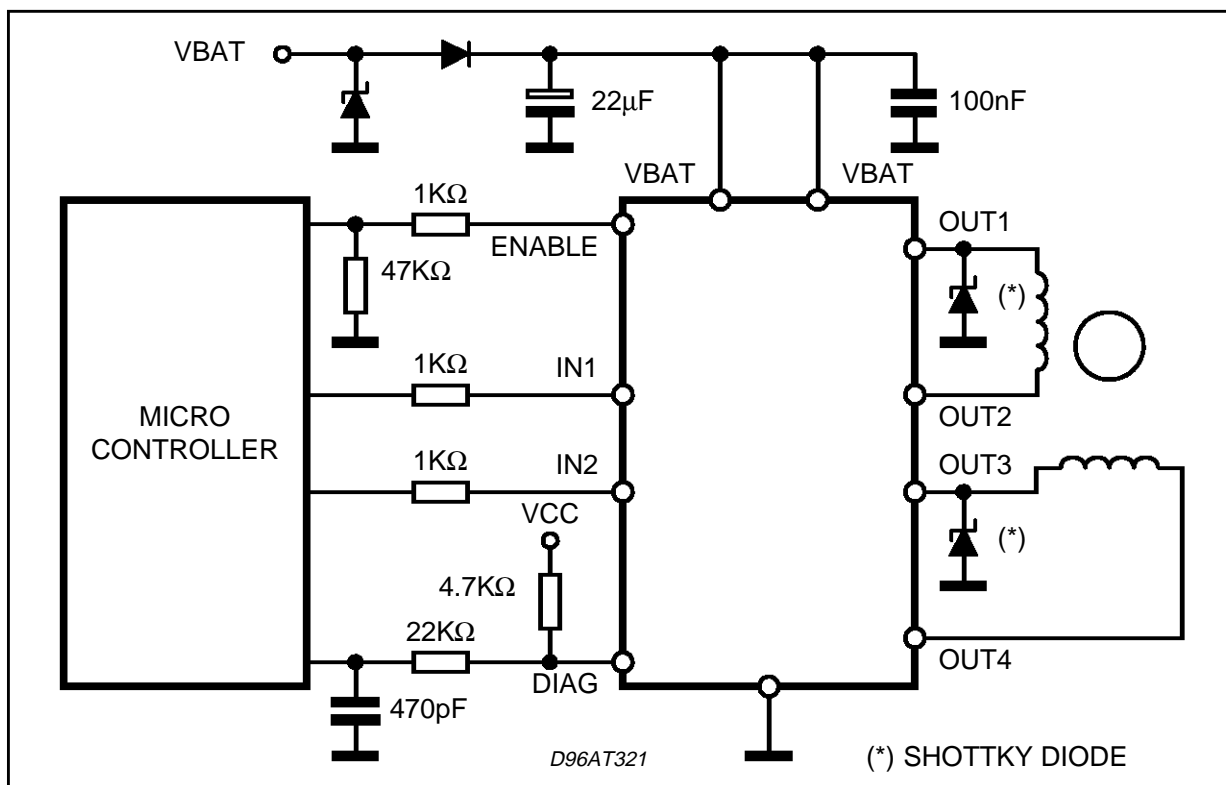


Figure 4: Initialization.

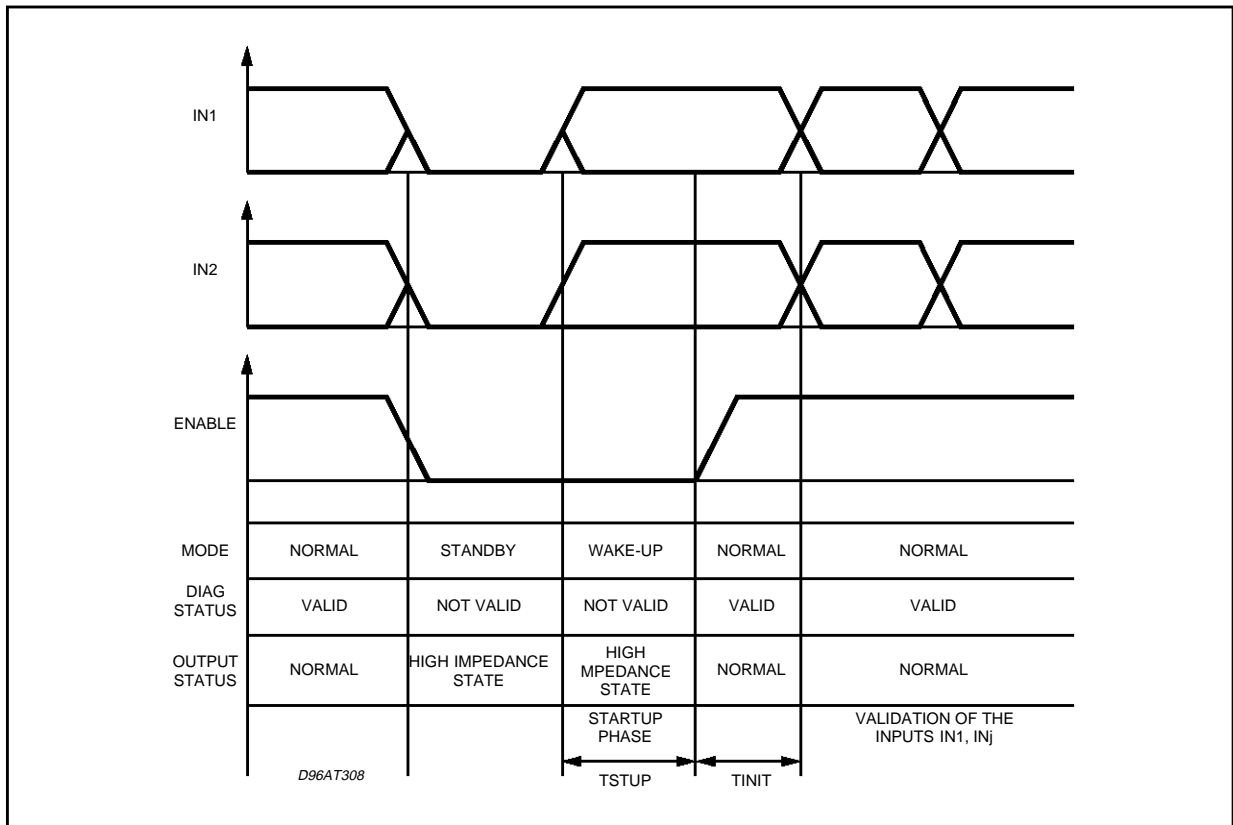


Figure 5: Normal Condition.

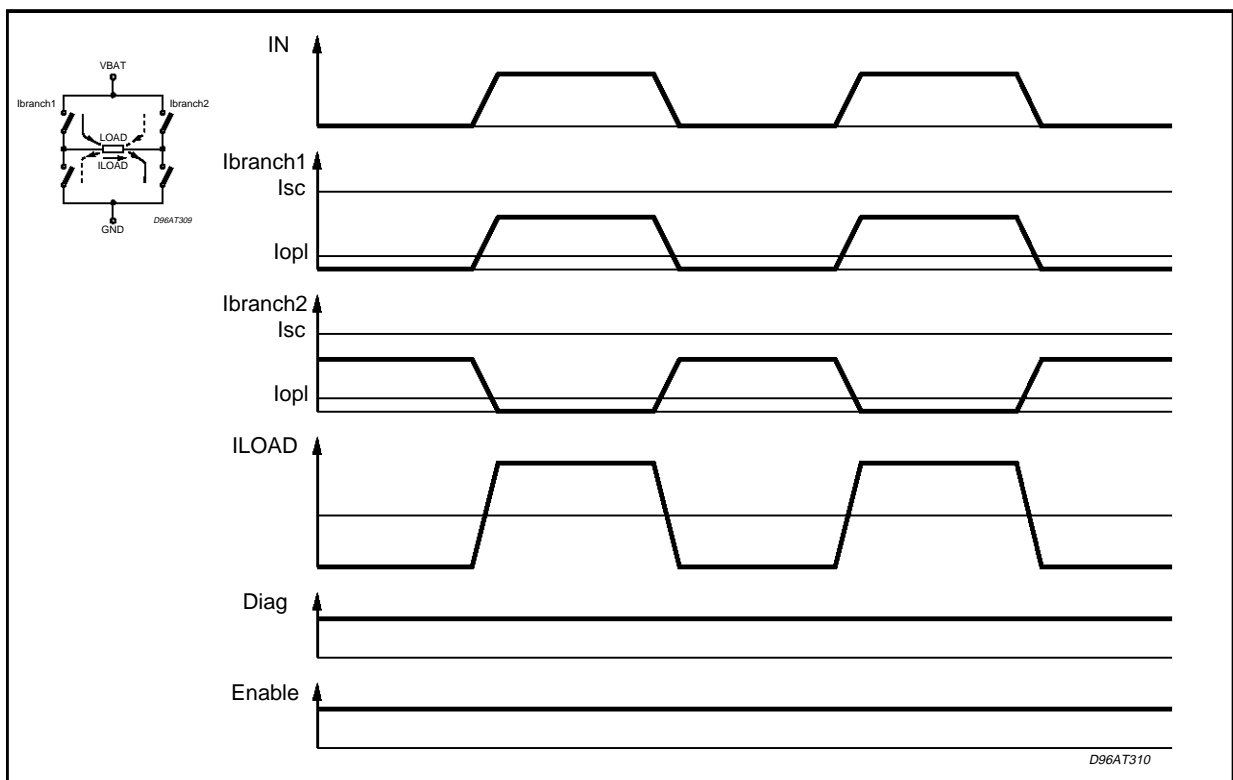


Figure 6: Short-circuit Condition.

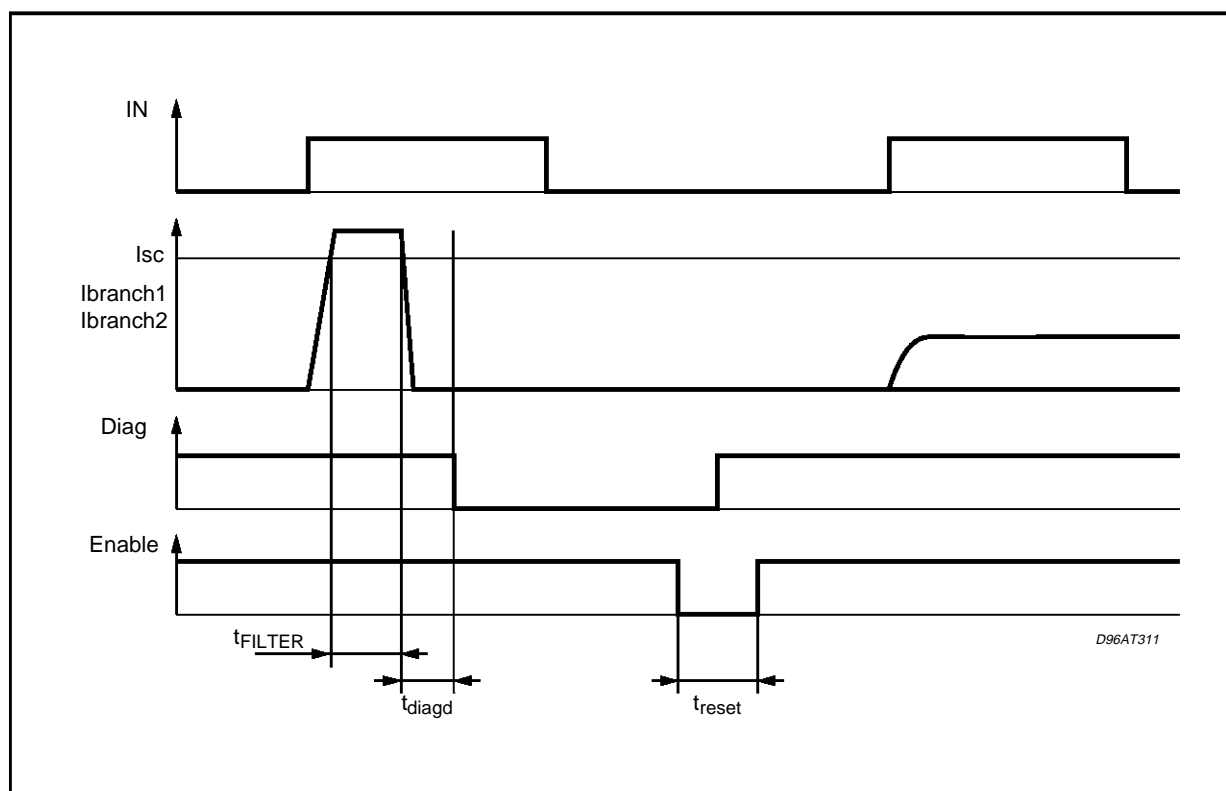


Figure 7: short circuit condition: no detection (NOT TESTED)

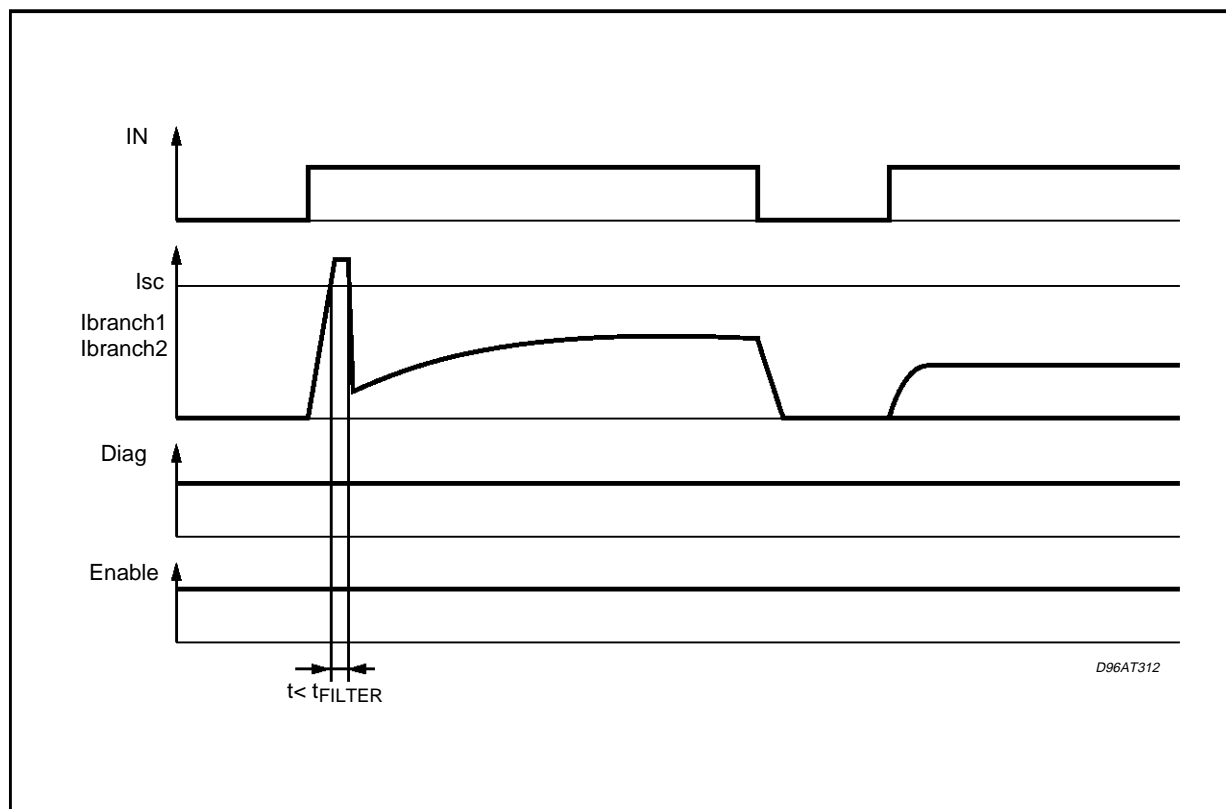


Figure 8: Open Load Condition 1: Detection

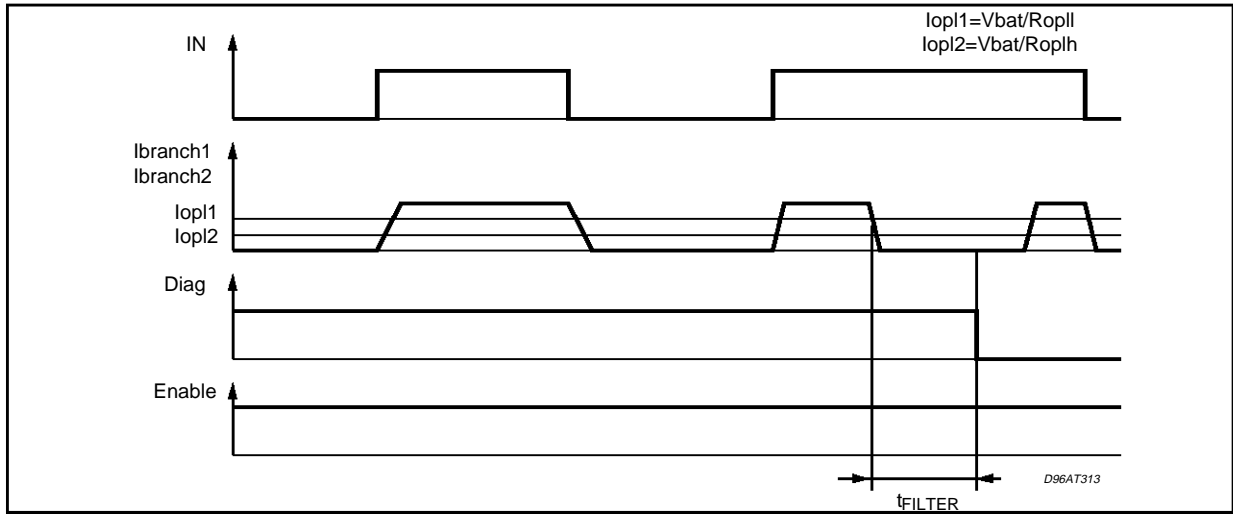


Figure 9: Open Load Condition 1: No Detection (NOT TESTED)

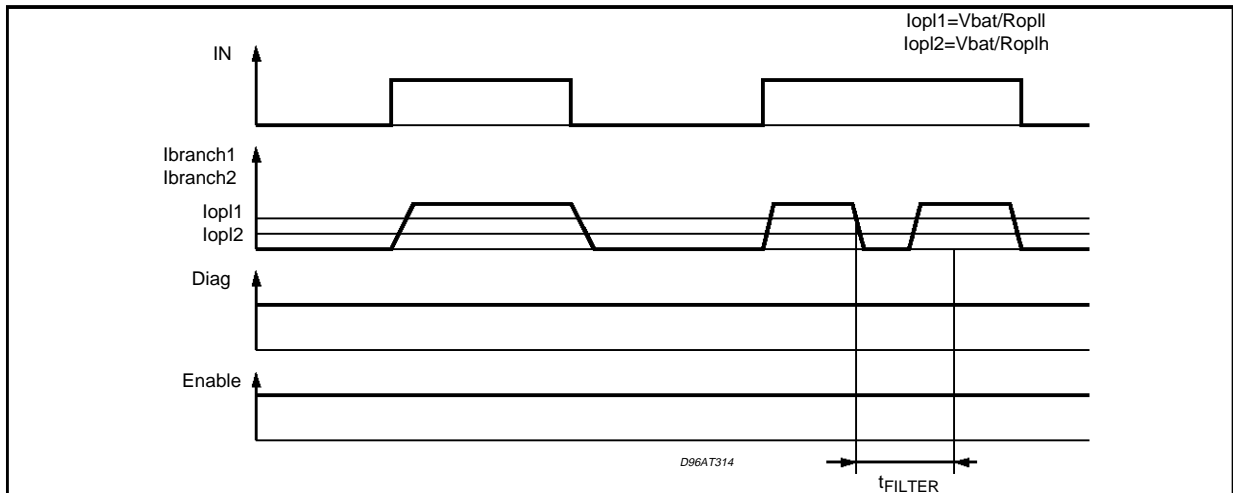


Figure 10: Open Load Condition 2: No Current after \overline{ENABLE}

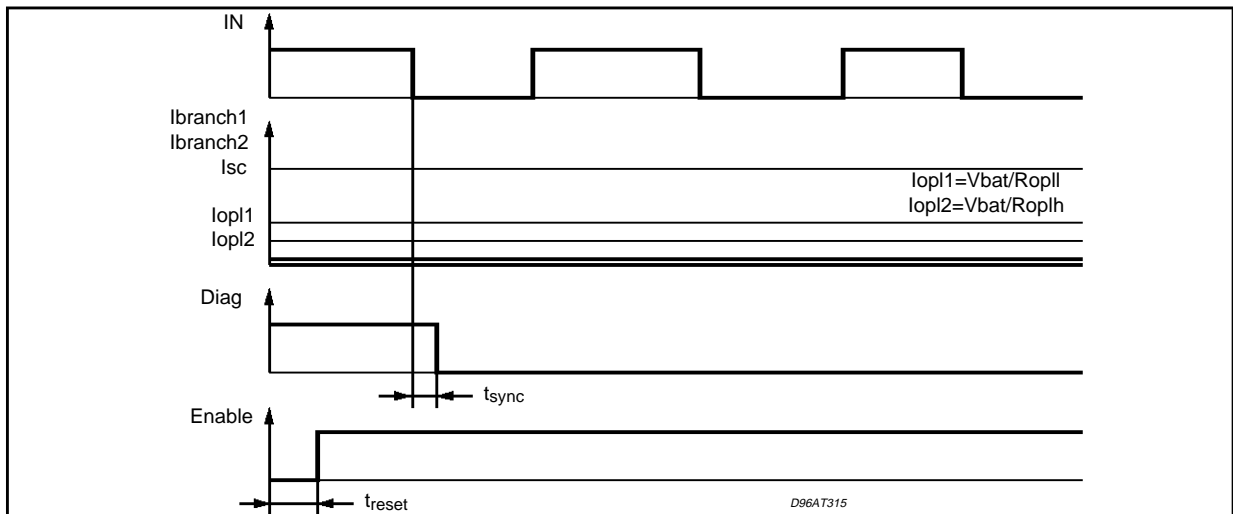


Figure 11: Open Load Condition 3

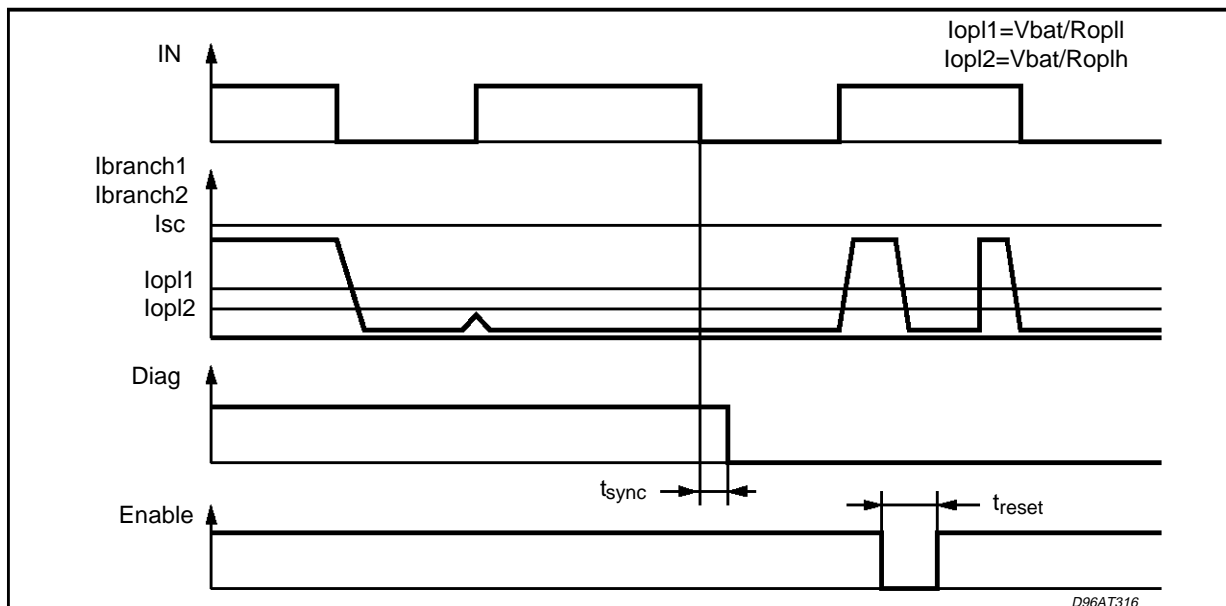


Figure 12: Open Load Condition 4: No Detection

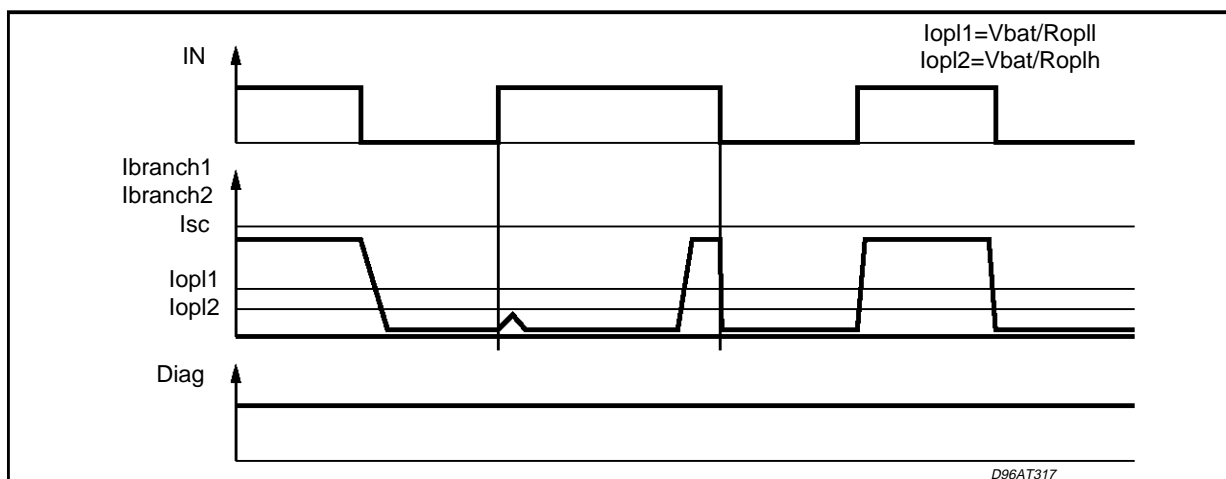
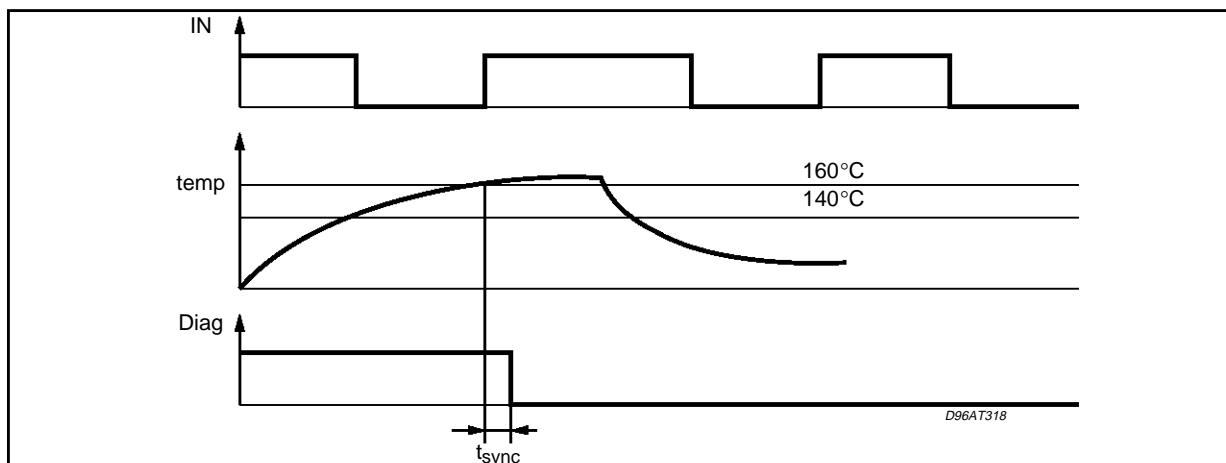
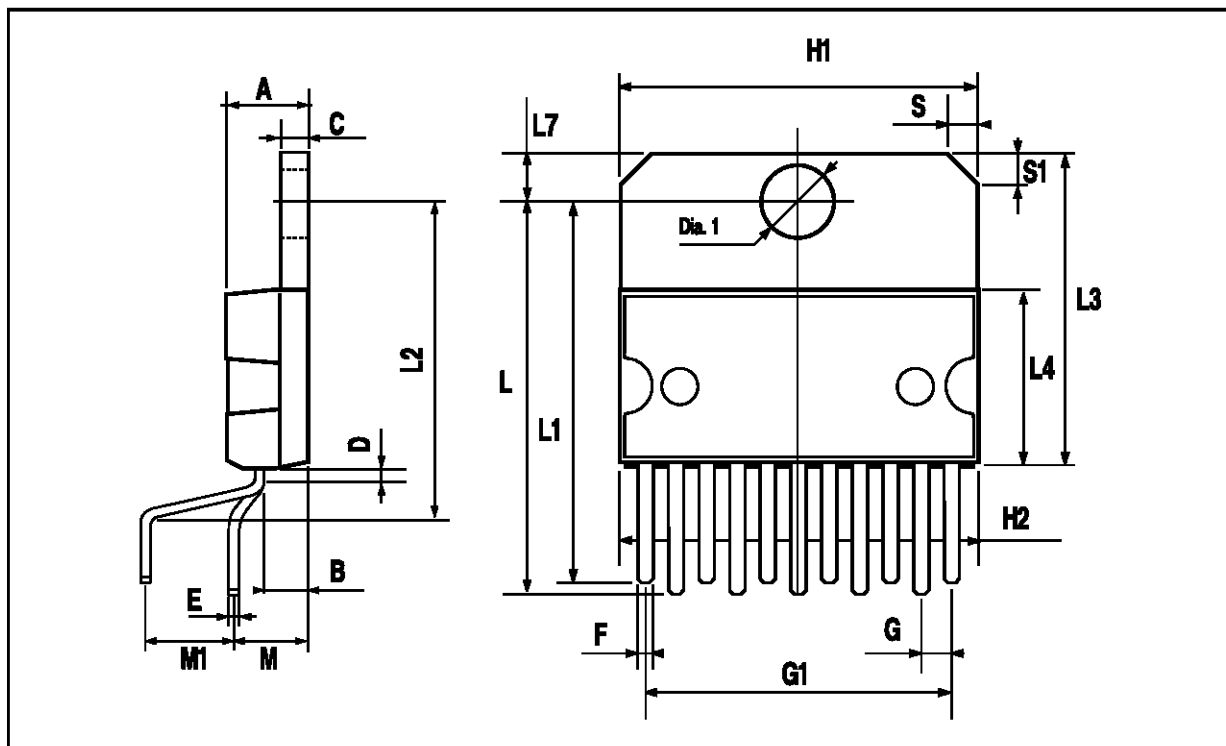


Figure 13: Overtemperature Detection



MULTIWATT11 PACKAGE MECHANICAL DATA

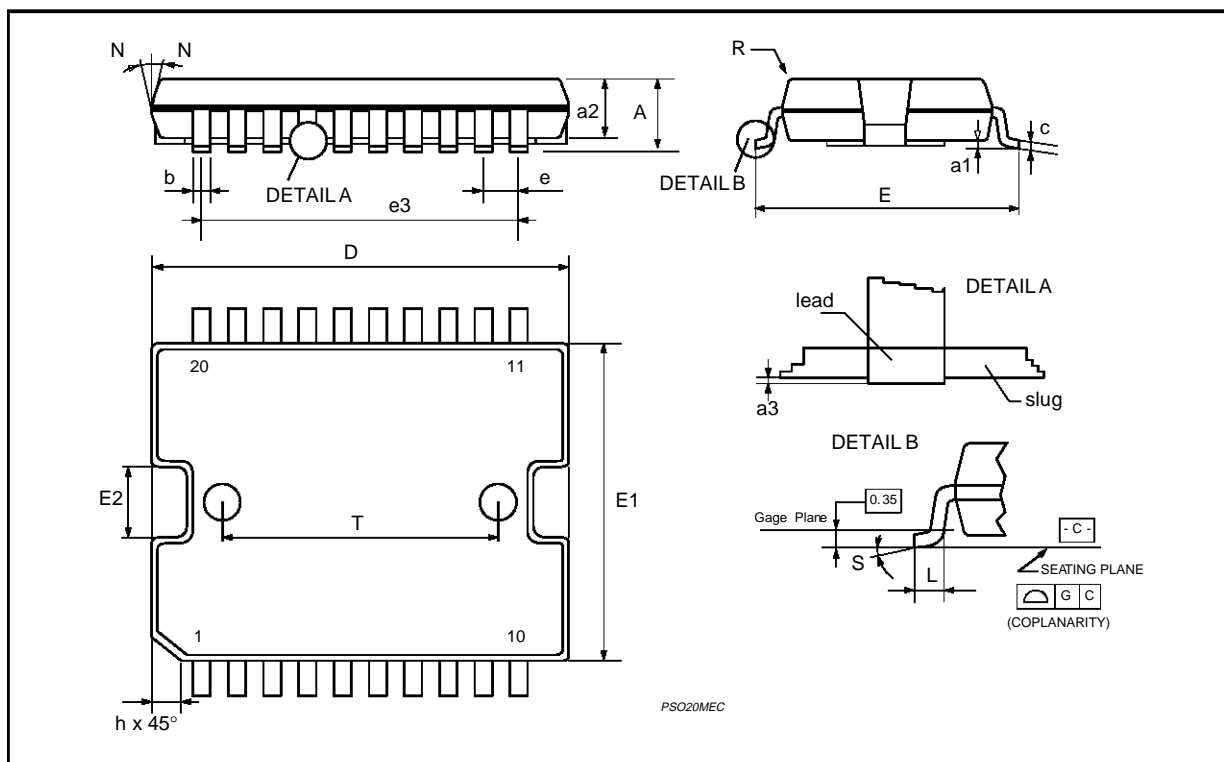
DIM.	mm			inch		
	MIN.	TYP.	MAX.	MIN.	TYP.	MAX.
A			5			0.197
B			2.65			0.104
C			1.6			0.063
D		1			0.039	
E	0.49		0.55	0.019		0.022
F	0.88		0.95	0.035		0.037
G	1.45	1.7	1.95	0.057	0.067	0.077
G1	16.75	17	17.25	0.659	0.669	0.679
H1	19.6			0.772		
H2			20.2			0.795
L	21.9	22.2	22.5	0.862	0.874	0.886
L1	21.7	22.1	22.5	0.854	0.87	0.886
L2	17.4		18.1	0.685		0.713
L3	17.25	17.5	17.75	0.679	0.689	0.699
L4	10.3	10.7	10.9	0.406	0.421	0.429
L7	2.65		2.9	0.104		0.114
M	4.25	4.55	4.85	0.167	0.179	0.191
M1	4.73	5.08	5.43	0.186	0.200	0.214
S	1.9		2.6	0.075		0.102
S1	1.9		2.6	0.075		0.102
Dia1	3.65		3.85	0.144		0.152



PowerSO20 PACKAGE MECHANICAL DATA

DIM.	mm			inch		
	MIN.	TYP.	MAX.	MIN.	TYP.	MAX.
A			3.60			0.1417
a1	0.10		0.30	0.0039		0.0118
a2			3.30			0.1299
a3	0		0.10	0		0.0039
b	0.40		0.53	0.0157		0.0209
c	0.23		0.32	0.009		0.0126
D (1)	15.80		16.00	0.6220		0.6299
E	13.90		14.50	0.5472		0.570
e		1.27			0.050	
e3		11.43			0.450	
E1 (1)	10.90		11.10	0.4291		0.437
E2			2.90			0.1141
G	0		0.10	0		0.0039
h			1.10			
L	0.80		1.10	0.0314		0.0433
N	10° (max.)					
S	8° (max.)					
T		10.0			0.3937	

- (1) "D and E1" do not include mold flash or protrusions
 - Mold flash or protrusions shall not exceed 0.15mm (0.006")



Information furnished is believed to be accurate and reliable. However, SGS-THOMSON Microelectronics assumes no responsibility for the consequences of use of such information nor for any infringement of patents or other rights of third parties which may result from its use. No license is granted by implication or otherwise under any patent or patent rights of SGS-THOMSON Microelectronics. Specification mentioned in this publication are subject to change without notice. This publication supersedes and replaces all information previously supplied. SGS-THOMSON Microelectronics products are not authorized for use as critical components in life support devices or systems without express written approval of SGS-THOMSON Microelectronics.

© 1996 SGS-THOMSON Microelectronics – Printed in Italy – All Rights Reserved

SGS-THOMSON Microelectronics GROUP OF COMPANIES

Australia - Brazil - Canada - China - France - Germany - Hong Kong - Italy - Japan - Korea - Malaysia - Malta - Morocco - The Netherlands - Singapore - Spain - Sweden - Switzerland - Taiwan - Thailand - United Kingdom - U.S.A.