



SANYO Semiconductors

DATA SHEET

An ON Semiconductor Company

LB1937T — Monolithic Digital IC 1-2 Phase Excitation Stepping Motor Driver

Overview

The LB1937T is a 2-phase bipolar drive stepping motor driver IC that supports low-voltage drive and can drive two stepping motors at the same time. The LB1937T's miniature package and minimal number of external components reduces the required mounting area. It also provides high-efficiency motor drive and can reduce circuit current consumption. Since it provides a current detection pin and supports PWM control input, it can be used to implement current chopper control at the system level. The LB1937T is optimal for the stepping motors used for lens drive in digital cameras, printers, and movie cameras.

Functions and Features

- Low saturation voltage forward/reverse motor driver ($V_{O\ sat} = 0.3V$ at $I_O = 200mA$)
- Four H-bridge channels
- Wide usable voltage range (Allowable voltage range: 2.5V to 9.5V, absolute maximum rating: 10.5V)
- Supports PWM input (Low power consumption can be achieved in slow delay mode that uses IN1/IN2 = H/H logic.)
- Motor (coil) current detection pin
- Built-in thermal shutdown circuit
- Thin form factor miniature package (TSSOP24)

■ Any and all SANYO Semiconductor Co.,Ltd. products described or contained herein are, with regard to "standard application", intended for the use as general electronics equipment (home appliances, AV equipment, communication device, office equipment, industrial equipment etc.). The products mentioned herein shall not be intended for use for any "special application" (medical equipment whose purpose is to sustain life, aerospace instrument, nuclear control device, burning appliances, transportation machine, traffic signal system, safety equipment etc.) that shall require extremely high level of reliability and can directly threaten human lives in case of failure or malfunction of the product or may cause harm to human bodies, nor shall they grant any guarantee thereof. If you should intend to use our products for applications outside the standard applications of our customer who is considering such use and/or outside the scope of our intended standard applications, please consult with us prior to the intended use. If there is no consultation or inquiry before the intended use, our customer shall be solely responsible for the use.

■ Specifications of any and all SANYO Semiconductor Co.,Ltd. products described or contained herein stipulate the performance, characteristics, and functions of the described products in the independent state, and are not guarantees of the performance, characteristics, and functions of the described products as mounted in the customer's products or equipment. To verify symptoms and states that cannot be evaluated in an independent device, the customer should always evaluate and test devices mounted in the customer's products or equipment.

SANYO Semiconductor Co., Ltd.

<http://semicon.sanyo.com/en/network>

LB1937T

Specifications

Absolute Maximum Ratings at $T_a = 25^\circ\text{C}$

Parameter	Symbol	Conditions	Ratings	Unit
Maximum supply voltage	V_{CC} max		-0.3 to +10.5	V
	V_S max		-0.3 to +10.5	V
Maximum output voltage	V_{OUT} max		$V_S + V_{SF}$	V
Input voltage	V_{IN} max		-0.3 to +8.0	V
Ground pin source current	I_{GND} max	Per channel	800	mA
Allowable power dissipation	P_d max	When mounted on a circuit board *	1100	mW
Operating temperature	T_{opr}		-30 to +85	$^\circ\text{C}$
Storage temperature	T_{stg}		-40 to +150	$^\circ\text{C}$

* Specified circuit board : $114.3 \times 76.1 \times 1.6\text{mm}^3$, glass epoxy

Allowable Operating Range at $T_a = 25^\circ\text{C}$

Parameter	Symbol	Conditions	Ratings	Unit
Supply voltage	V_{CC}		2.5 to 9.5	V
	V_S		2.5 to 9.5	
High-level input voltage	V_{IH}		2.0 to 7.5	V
Low-level input voltage	V_{IL}		-0.3 to 0.7	V

Electrical Characteristics at $T_a = 25^\circ\text{C}$, $V_{CC} = V_S = 5\text{V}$

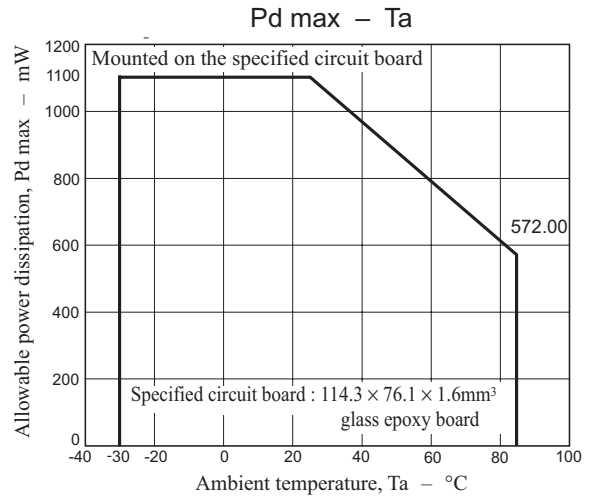
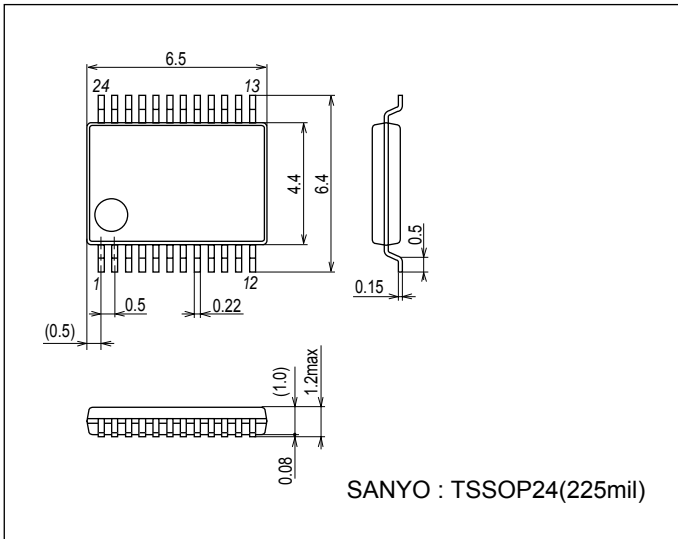
Parameter	Symbol	Conditions	Ratings			Unit
			min	typ	max	
V_{CC} system power supply current	I_{CC0}	$IN1$ to $IN8 = 0\text{V}$		0.1	5	μA
	I_{CC1}	$IN1 = IN3 = 3\text{V}$		10	16	mA
V_S system power supply current	I_{S0}	$IN1$ to $IN8 = 0\text{V}$		0.1	5	μA
	I_{S1}	$IN1 = IN3 = 3\text{V}$		13	19	mA
Output saturation voltage	V_{OUT1}	$V_{CC} = V_S = 3\text{V}$ to 7.5V , $V_{IN} = 3\text{V}$ or 0V , $I_{OUT} = 200\text{mA}$ (High and low side)		0.3	0.4	V
	V_{OUT2}	$V_{CC} = V_S = 4\text{V}$ to 7.5V , $V_{IN} = 3\text{V}$ or 0V , $I_{OUT} = 400\text{mA}$ (High and low side)		0.6	0.8	V
Input current	I_{IN}	$V_{IN} = 5\text{V}$		150	200	μA
Spark killer diode						
Reverse current	$I_S(\text{leak})$				30	μA
Forward voltage	V_{SF}	$I_{OUT} = 400\text{mA}$			1.7	V

LB1937T

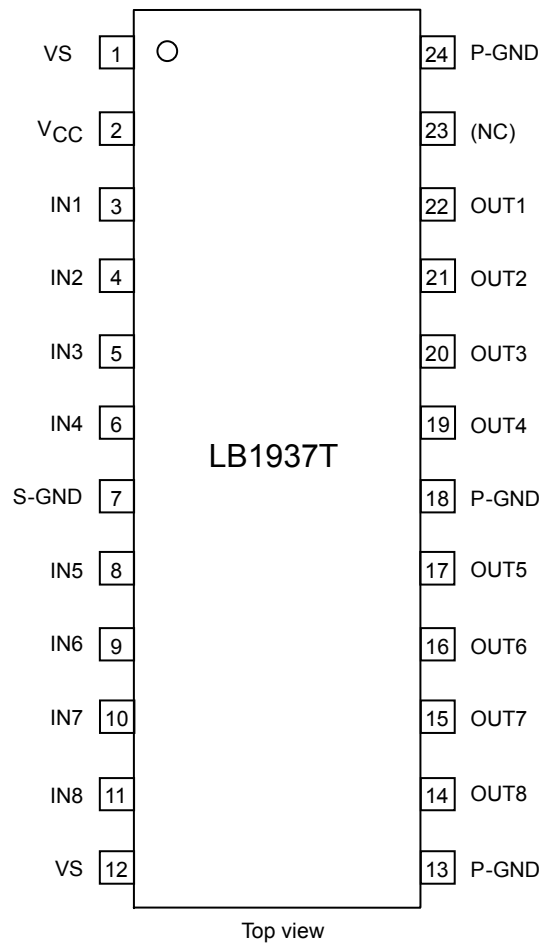
Package Dimensions

unit:mm (typ)

3260A

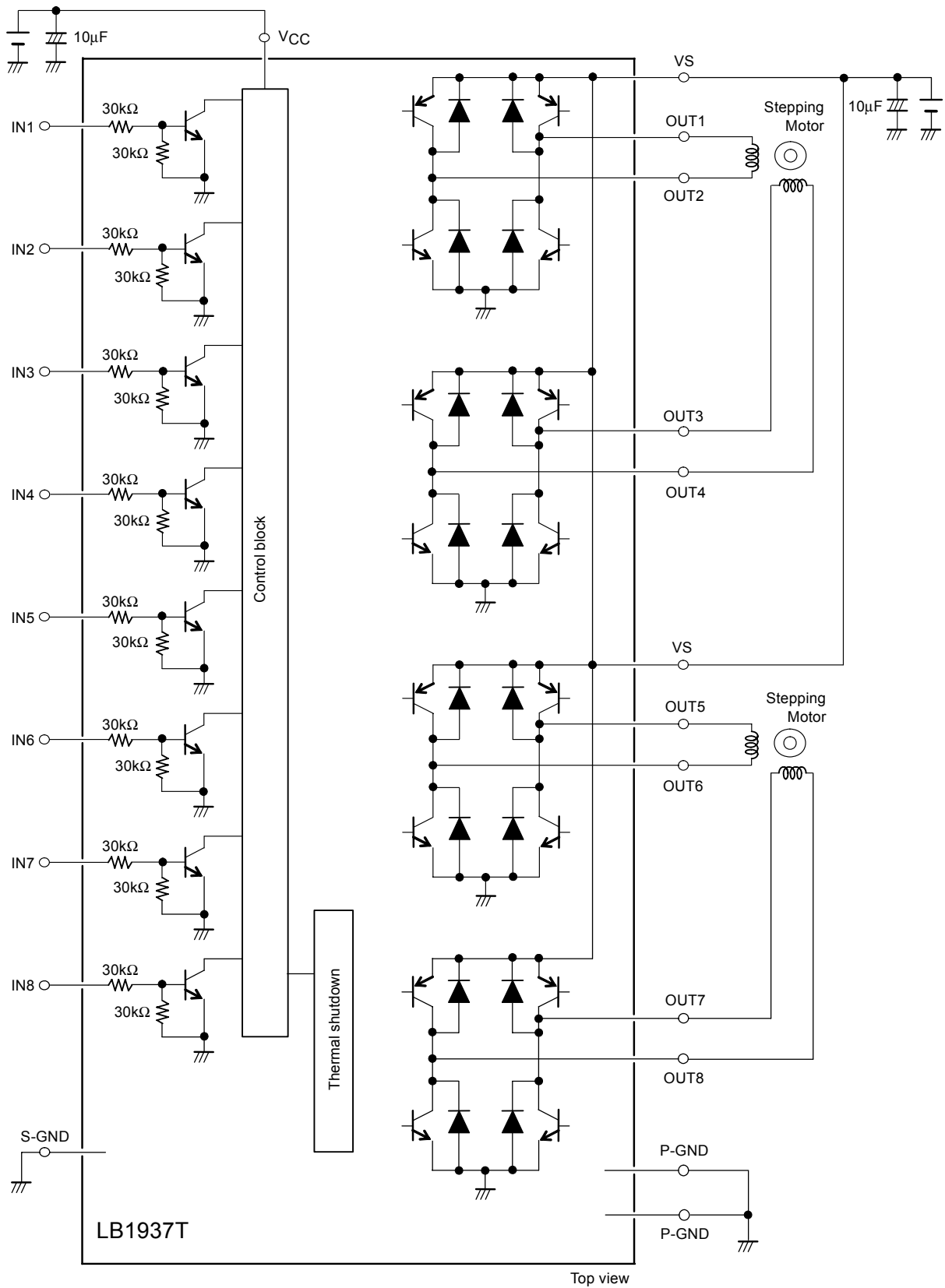


Pin Assignment



LB1937T

Block Diagram



LB1937T

Truth Table

Input								Output								Output mode		
IN1	IN2	IN3	IN4	IN5	IN6	IN7	IN8	OUT1	OUT2	OUT3	OUT4	OUT5	OUT6	OUT7	OUT8			
L	L							off	off							(1)		
L	H							L	H							(2)		
H	L							H	L							(3)		
H	H							off	H							(4)		
(*)	(*)							H	off							(4)'		
		L	L					off	off							(5)		
		L	H					L	H							(6)		
		H	L					H	L							(7)		
		H	H					off	H							(8)		
		(*)	(*)					H	off							(8)'		
				L	L					off	off					(11)		
				L	H					L	H					(12)		
				H	L					H	L					(13)		
				H	H					off	H					(14)		
				(*)	(*)					H	off					(14)'		
				L	L											off	off	(15)
				L	H											L	H	(16)
				H	L											H	L	(17)
				H	H											off	H	(18)
				(*)	(*)											H	off	(18)'

L : low, H : high

*: The output logic mode when IN1/IN2 = H/H is determined by the immediately preceding IN1/IN2 mode.

The post-switching output modes will be as follows.

When switching from (2): (4)

When switching from (3): (4)'

When switching from (1): Undefined (Either (4) or (4)')

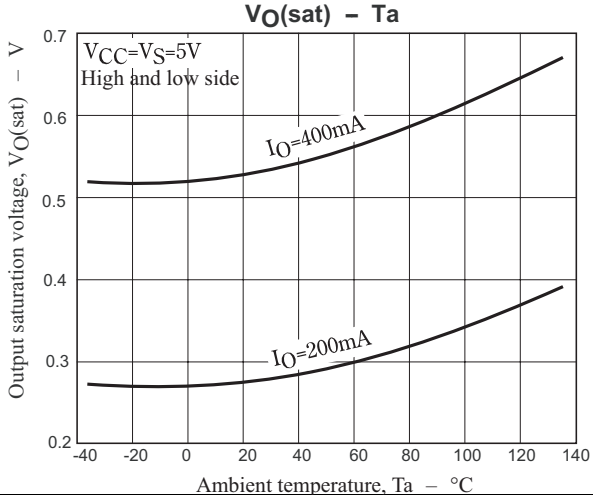
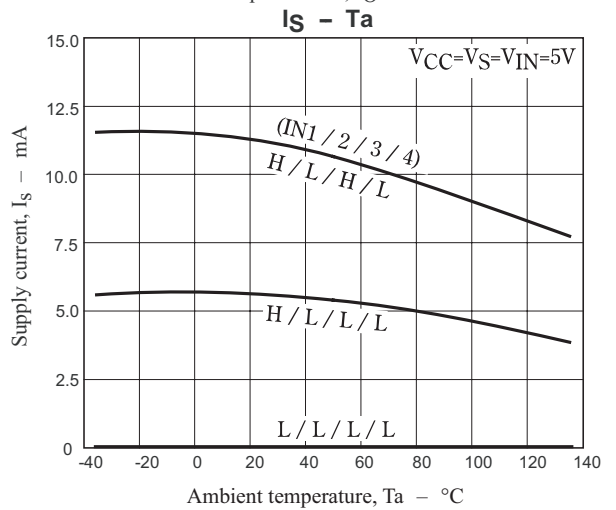
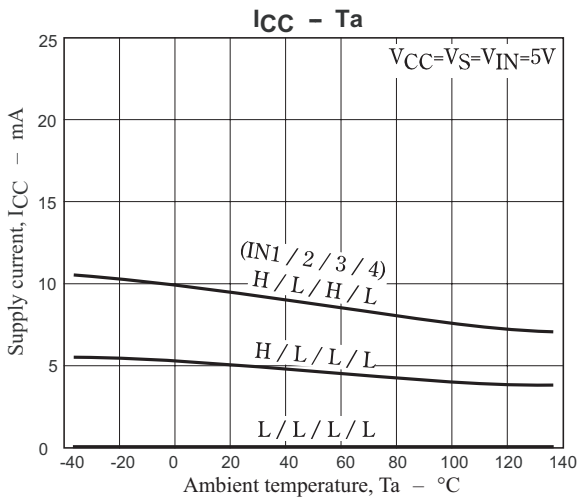
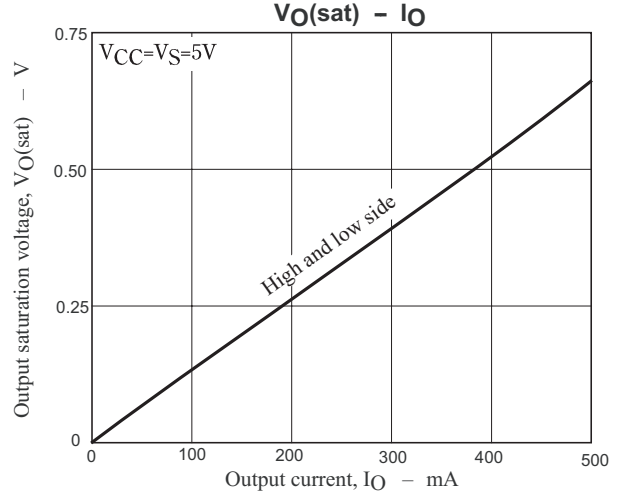
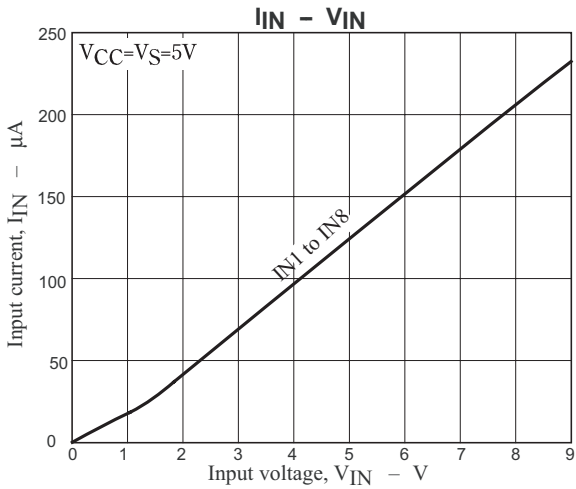
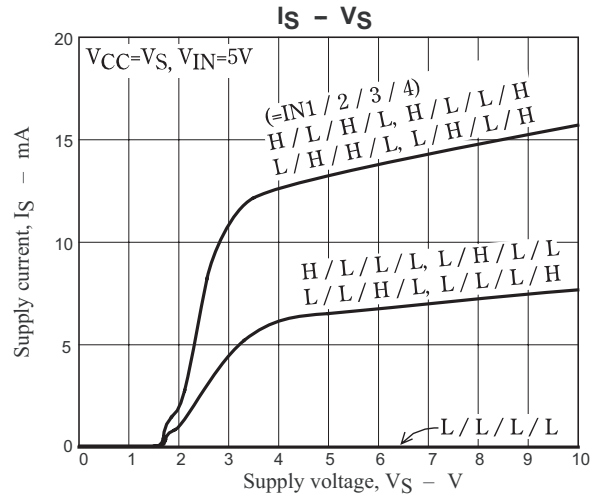
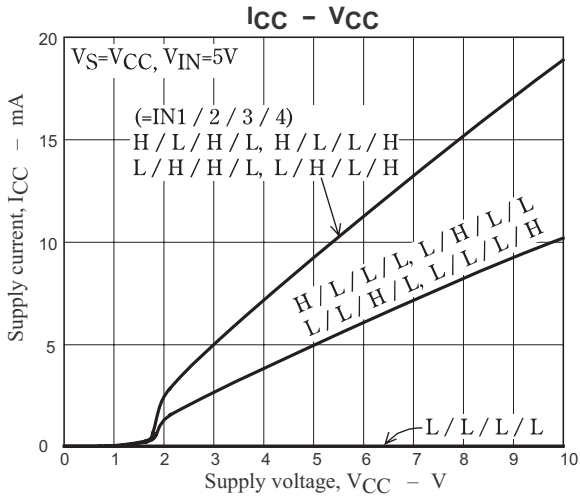
The modes when IN3/IN4 = H/H operate similarly as described below.

When switching from (6): (8)

When switching from (7): (8)'

When switching from (5): Undefined (Either (8) or (8)')

LB1937T



- SANYO Semiconductor Co.,Ltd. assumes no responsibility for equipment failures that result from using products at values that exceed, even momentarily, rated values (such as maximum ratings, operating condition ranges, or other parameters) listed in products specifications of any and all SANYO Semiconductor Co.,Ltd. products described or contained herein.
- SANYO Semiconductor Co.,Ltd. strives to supply high-quality high-reliability products, however, any and all semiconductor products fail or malfunction with some probability. It is possible that these probabilistic failures or malfunction could give rise to accidents or events that could endanger human lives, trouble that could give rise to smoke or fire, or accidents that could cause damage to other property. When designing equipment, adopt safety measures so that these kinds of accidents or events cannot occur. Such measures include but are not limited to protective circuits and error prevention circuits for safe design, redundant design, and structural design.
- In the event that any or all SANYO Semiconductor Co.,Ltd. products described or contained herein are controlled under any of applicable local export control laws and regulations, such products may require the export license from the authorities concerned in accordance with the above law.
- No part of this publication may be reproduced or transmitted in any form or by any means, electronic or mechanical, including photocopying and recording, or any information storage or retrieval system, or otherwise, without the prior written consent of SANYO Semiconductor Co.,Ltd.
- Any and all information described or contained herein are subject to change without notice due to product/technology improvement, etc. When designing equipment, refer to the "Delivery Specification" for the SANYO Semiconductor Co.,Ltd. product that you intend to use.
- Information (including circuit diagrams and circuit parameters) herein is for example only; it is not guaranteed for volume production.
- Upon using the technical information or products described herein, neither warranty nor license shall be granted with regard to intellectual property rights or any other rights of SANYO Semiconductor Co.,Ltd. or any third party. SANYO Semiconductor Co.,Ltd. shall not be liable for any claim or suits with regard to a third party's intellectual property rights which has resulted from the use of the technical information and products mentioned above.

This catalog provides information as of March, 2007. Specifications and information herein are subject to change without notice.