

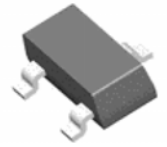
Shunt Regulator

General Description

- The LM431 Series ICs are three-terminal programmable shunt regulators with guaranteed thermal stability over a full operation range. These monolithic ICs voltage reference operate as a low temperature coefficient Zener which is programmable from V_{ref} to 36V with two external resistors. These devices exhibit a wide operating current range of 1.0 to 100mA with a typical dynamic impedance of 0.15 to 0.22 Ω . The characteristics of these references make them excellent replacements for Zener diodes in many applications such as digital voltmeters, power supplies and op amp circuitry. The 2.5V reference makes it convenient to obtain a stable reference from 5.0V logic supplies, and since the LM431 series operates as a shunt regulator, it can be used as either a positive or negative voltage reference.
- The output voltage of both types can be set to any value between V_{REF} (2.5V) and the corresponding maximum cathode voltage.



TO-92



SOT-23



SOT-23-5



SOP-8



SOT-89



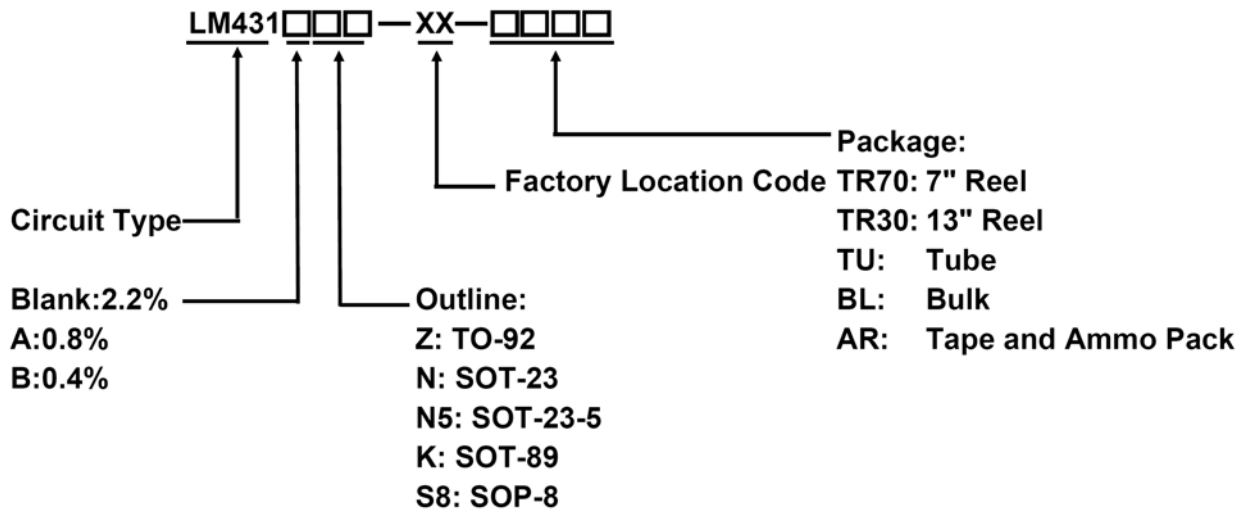
Features

- Programmable Precise Output Voltage from 2.5V to 36V
- High Stability under Capacitive Load
- Low Temperature Deviation
- Can be used in either positive or negative Voltage reference
- Low Dynamic Output Impedance: 0.15 to 0.22 Ω Typical
- Operating Current from 1.0mA to 100mA
- Low Output Noise Voltage
- RoHS Compliance

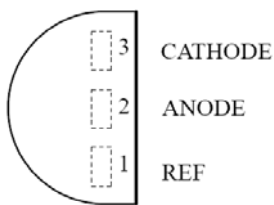
Applications

- Charger
- Voltage Adapter
- Switching Power Supply
- Graphic Card
- Precision Voltage Reference

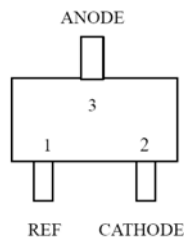
Ordering Information



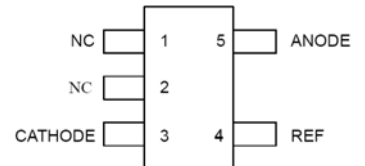
Pin Configuration



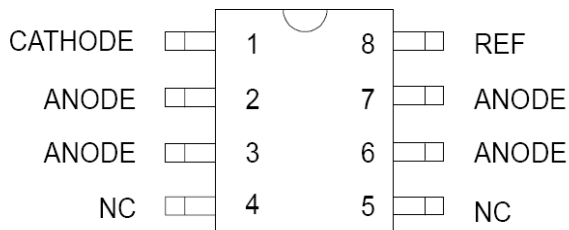
Outline: Z
TO-92



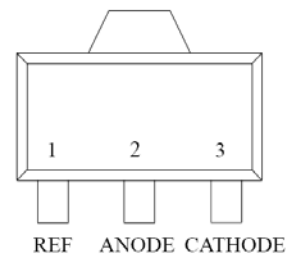
Outline: N
SOT-23



Outline: N5
SOT-23-5



Outline: S8
SOP-8

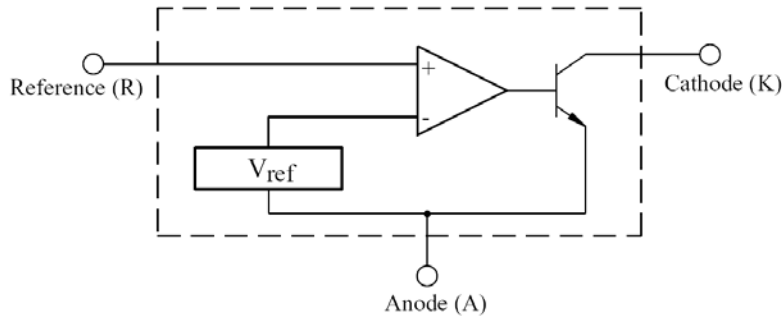


Outline: K
SOT-89

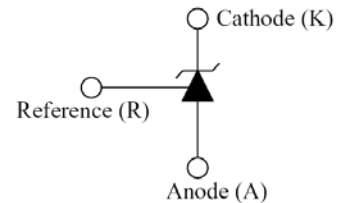
Shunt Regulator

LM431

Block Diagram



Symbols



Absolute Maximum Ratings (Ta=25° C)

(Full operating ambient temperature range applies unless otherwise noted.)

Symbol	Description	LM431	LM431A	LM431B	Unit
V _{KA}	Cathode Voltage	36			V
I _{KA}	Cathode Current Range (Continuous)	-100 ~ 150			mA
I _{REF}	Reference Input Current Range (Continuous)	-0.05 ~ 10			mA
T _J	Operating Junction Temperature	150			° C
T _{OPR}	Operating Temperature Range	-40 ~ 85	-40 ~ 125		° C
T _{STG}	Storage Temperature Range	-65 ~ 150			° C
P _D	Power Dissipation	Z:TO-92	700	770	mW
		N:SOT-23	-	370	
		N5:SOT-23-5	-	370	
		K: SOT-89	800	770	
		S8: SOP-8	-	770	
R _{thJA}	Package Thermal Impedance	Z:TO-92	180	150	° C/W
		N:SOT-23	-	330	
		N5:SOT-23-5	-	250	
		K: SOT-89	160	50	
		S8: SOP-8	-	150	

Shunt Regulator

LM431

Electrical Characteristics ($T_A=25^\circ\text{C}$, unless otherwise specified)

Symbol	Description	LM431			LM431A			LM431B			Unit	Test Circuit	Conditions	
		Min.	Typ.	Max.	Min.	Typ.	Max.	Min.	Typ.	Max.				
V_{REF}	Reference Input Voltage	2.440	2.495	2.550	2.480	2.500	2.520	2.490	2.500	2.510	V	Fig.1	$V_{KA}=V_{REF}, I_{KA}=10\text{mA}$	
ΔV_{REF}	Reference Input Voltage Deviation	0-70° C	-	-	-	-	4.8	8	-	4.5	8	mV	Fig.1 (Note1)	$V_{KA}=V_{REF}, I_{KA}=10\text{mA}$
		-40-85° C	-	7.0	30	-	4.5	10	-	4.5	10			
$\Delta V_{REF}/\Delta V_{KA}$	Ratio of Change in Reference Input Voltage to Change in Cathode to Anode Voltage	-	-1.4	-2.7	-	-1.0	-2.7	-	-1.0	-2.7	mV/V	Fig.2	$I_{KA}=10\text{mA}$	$\Delta V_{KA}=10\text{V} \sim V_{REF}$
		-	-1.0	-2.0	-	-0.5	-2.0	-	-0.5	-2.0				$\Delta V_{KA}=36\text{V} \sim 10\text{V}$
I_{REF}	Reference Input Current	$T_A=25^\circ\text{C}$	-	1.8	4.0	-	0.7	4.0	-	0.7	4.0	μA	Fig.2	$I_{KA}=10\text{mA}, R_1=10\text{K}\Omega, R_2=\infty$
		$T_A=T_{opr}$	-	-	6.5	-	-	-	-	-	-			
ΔI_{REF}	Reference Input Current Deviation	-	0.8	2.5	-	0.4	1.2	-	0.4	1.2	μA	Fig.2	$I_{KA}=10\text{mA}, R_1=10\text{K}\Omega, R_2=\infty, -40 \sim 85^\circ\text{C}$	
I_{MIN}	Min. Cathode Current For Regulation	-	0.5	1.0	-	0.4	1.0	-	0.4	1.0	mA	Fig.1	$V_{KA}=V_{REF}$	
I_{OFF}	Off-State Cathode Current	-	2.6	1000	-	50	1000	-	50	1000	nA	Fig.3	$V_{KA}=36\text{V}, V_{REF}=0\text{V}$	
Z_{KA}	Dynamic Impedance	-	0.22	-	-	0.15	0.5	-	0.15	0.5	Ω	Fig.1 (Note2)	$V_{KA}=V_{REF}, I_{KA}=1.0 \sim 100\text{mA}, f \leq 1.0\text{KHz}$	

Fig.1- Test Circuit for $V_{KA}=V_{REF}$

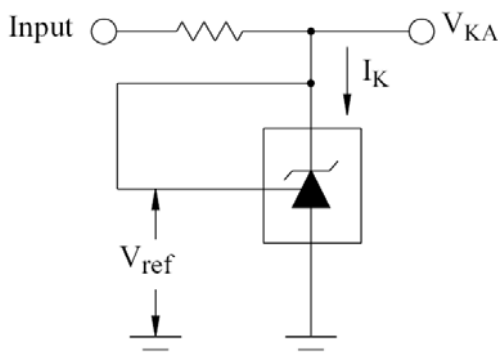
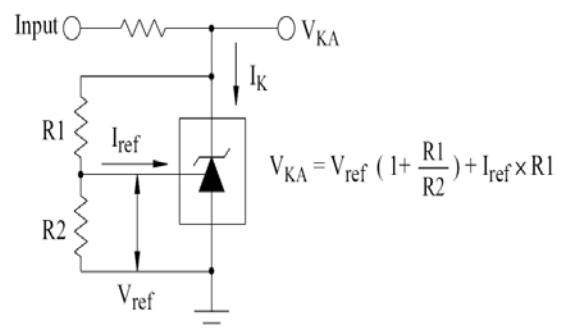
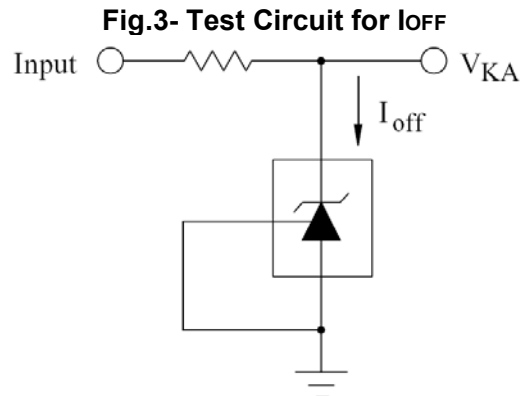


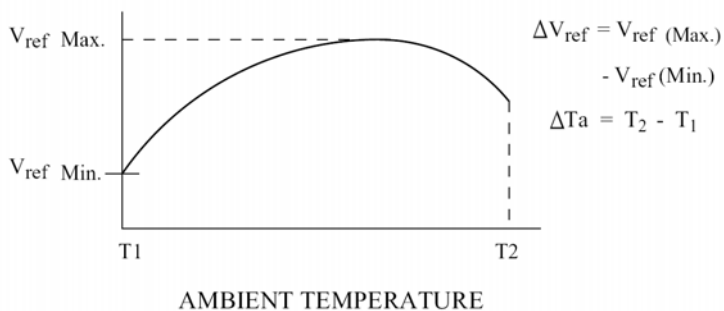
Fig.2- Test Circuit for $V_{KA}>V_{REF}$





Note1:

The deviation parameter ΔV_{ref} is defined as the differences between the maximum and minimum values obtained over the full operating ambient temperature range that applies.



The average temperature coefficient of the Reference input voltage, αV_{ref} , is defined as:

$$\alpha V_{ref} \left(\frac{\text{ppm}}{^\circ\text{C}} \right) = \frac{\left(\frac{\Delta V_{ref}}{V_{ref} \text{ at } 25^\circ\text{C}} \right) \times 10^6}{\Delta T_a}$$

$$= \frac{\Delta V_{ref} \times 10^6}{\Delta T_a (V_{ref} \text{ at } 25^\circ\text{C})}$$

αV_{ref} can be positive or negative depending on whether $V_{ref} \text{ Min.}$ or $V_{ref} \text{ Max.}$ occurs at the lower ambient temperature.

Note2:

The dynamic impedance Z_{ka} is defined as:

$$|Z_{ka}| = \frac{\Delta V_{KA}}{\Delta I_k}$$

When the device is programmed with two external resistors, R1 and R2, (refer to Figure 2) the total dynamic impedance of the circuit is defined as:

$$|Z_{ka'}| = |Z_{ka}| \left(1 + \frac{R1}{R2} \right)$$

Typical Characteristics Curves

Fig.4- $I_K - V_{KA}$

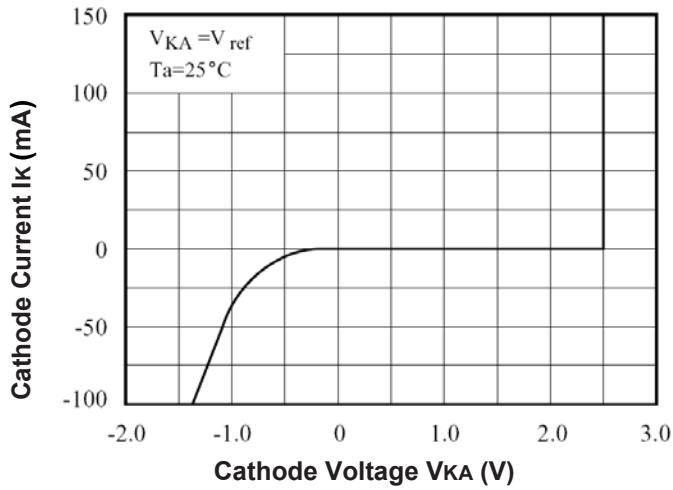


Fig.5- $I_K - V_{KA}$

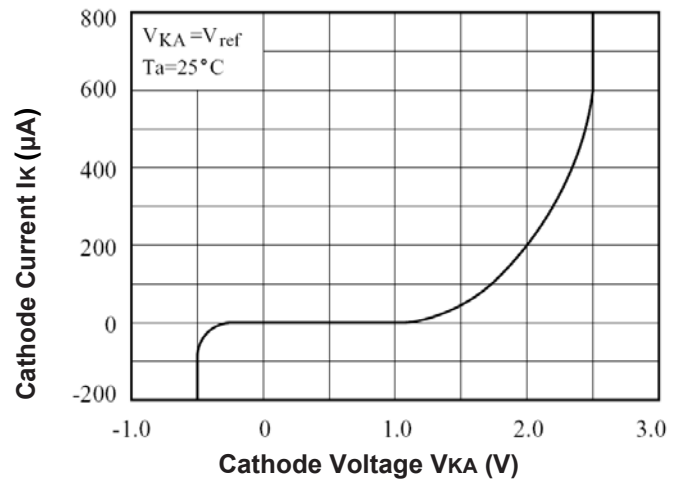


Fig.6- $\Delta V_{REF} - V_{KA}$

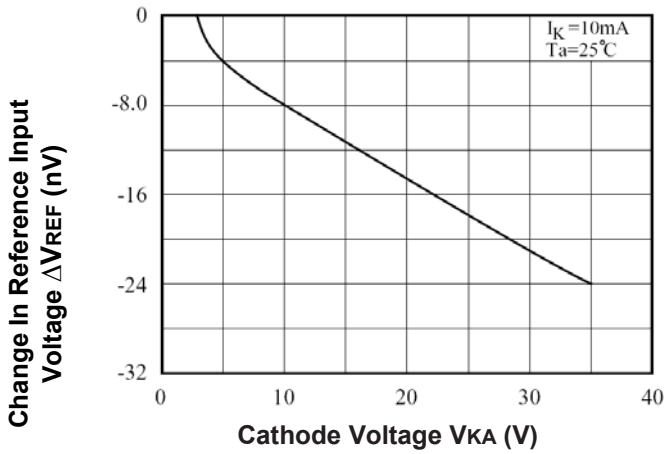


Fig.7- $|Z_{KA}| - f$

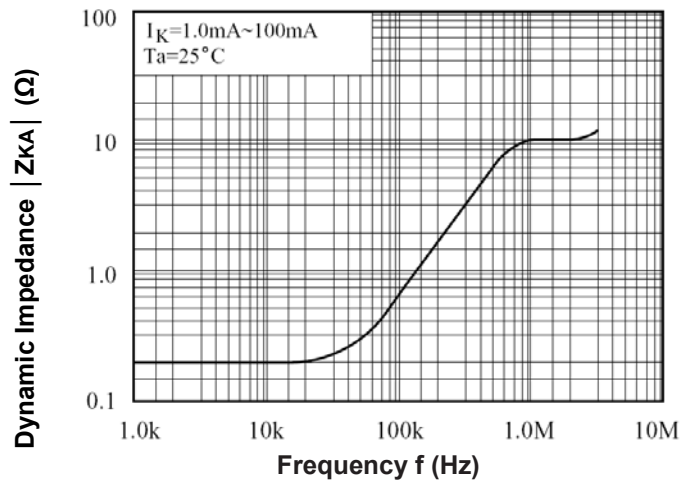


Fig.8- Gvo - f

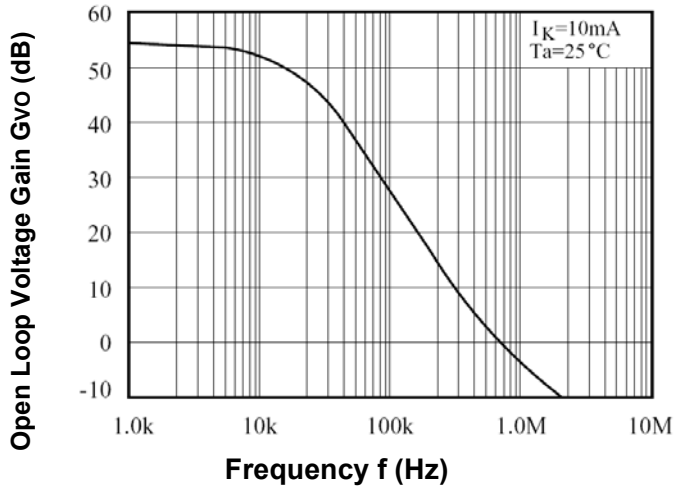


Fig.9- Pulse Response

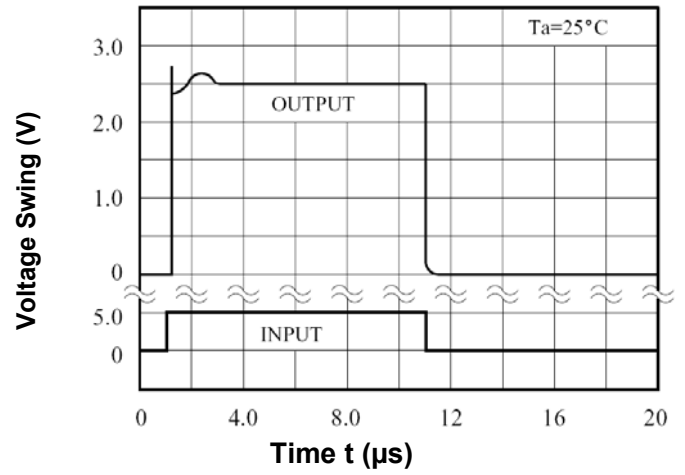
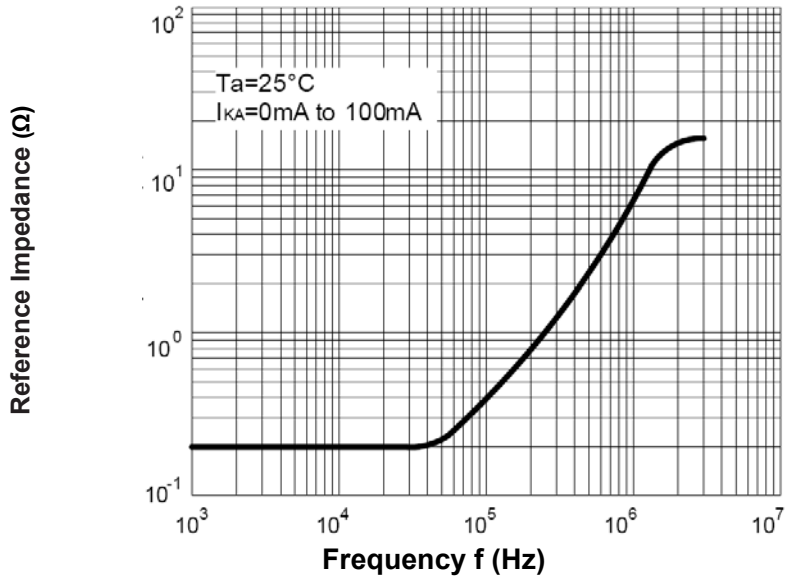


Fig.10- Dynamic Impedance vs. Frequency



Typical Application

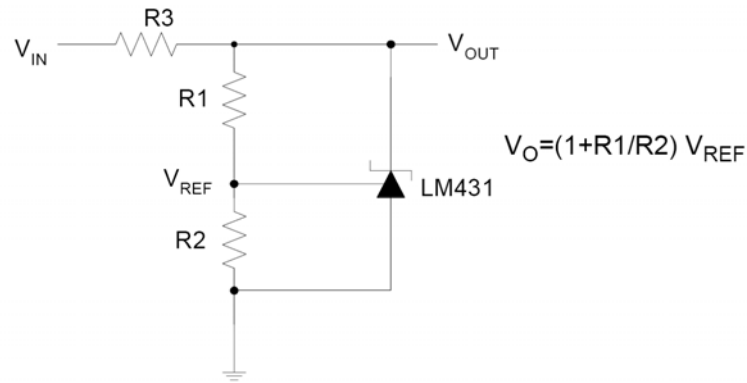


Fig.11-Shunt Regulator

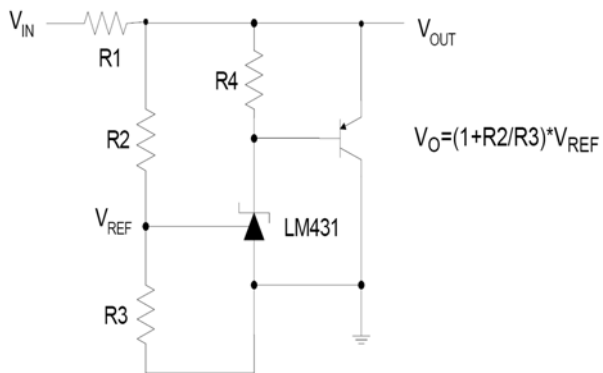


Fig.12- High Current Shunt Regulator

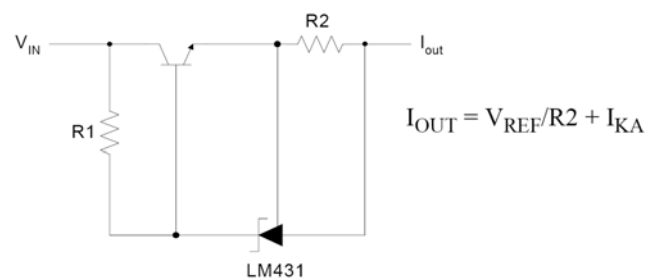


Fig.13- Current Source of Current Limit

Typical Application (Continued)

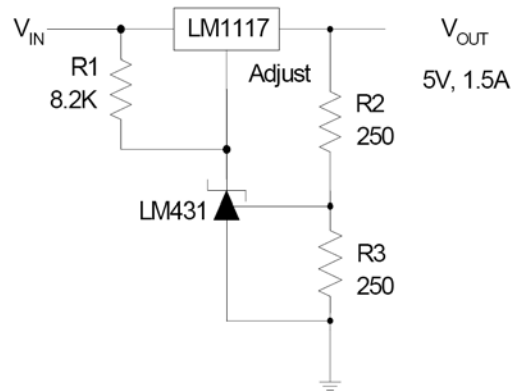


Fig.14- Precision 5V 1.5A Regulator

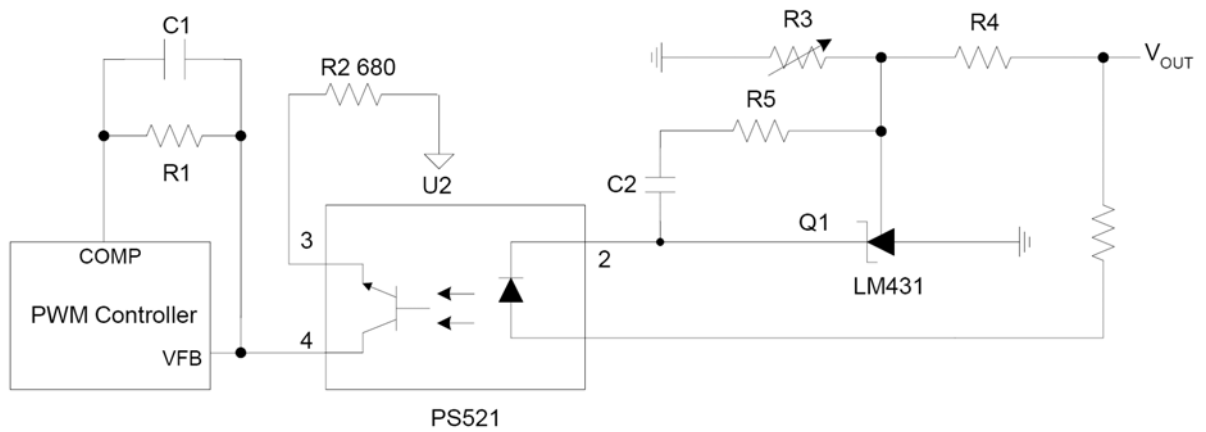
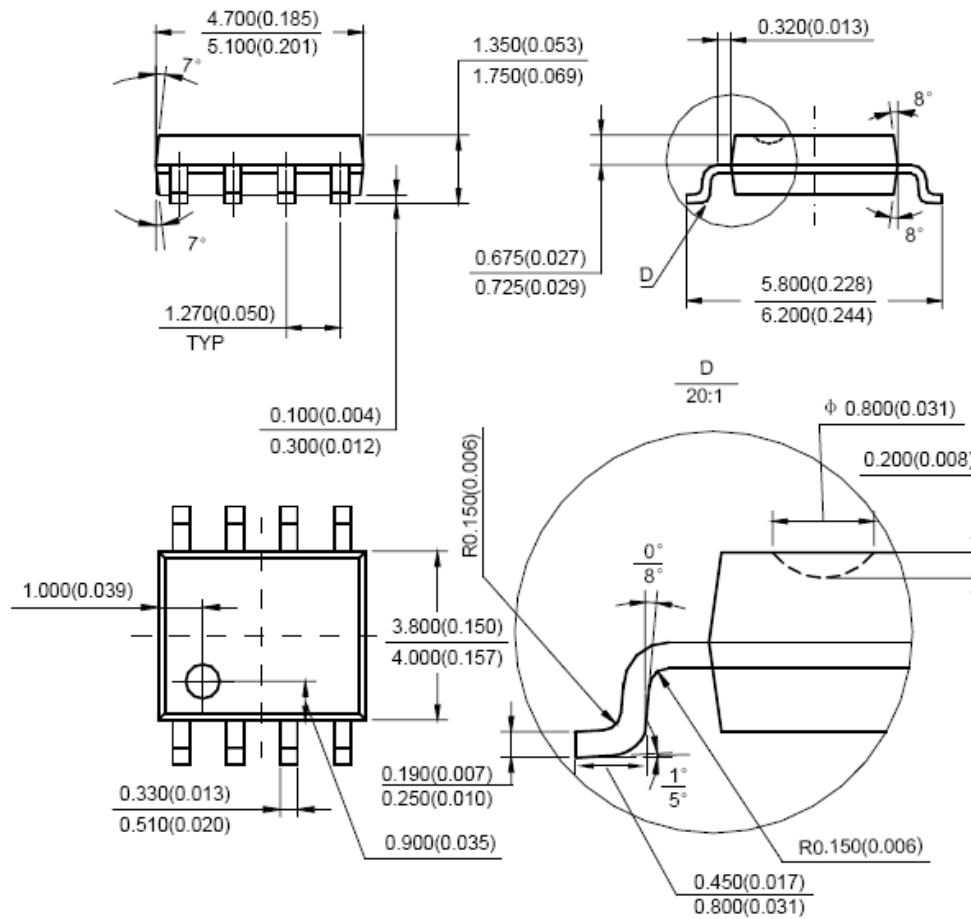


Fig.15- PWM Converter with Reference

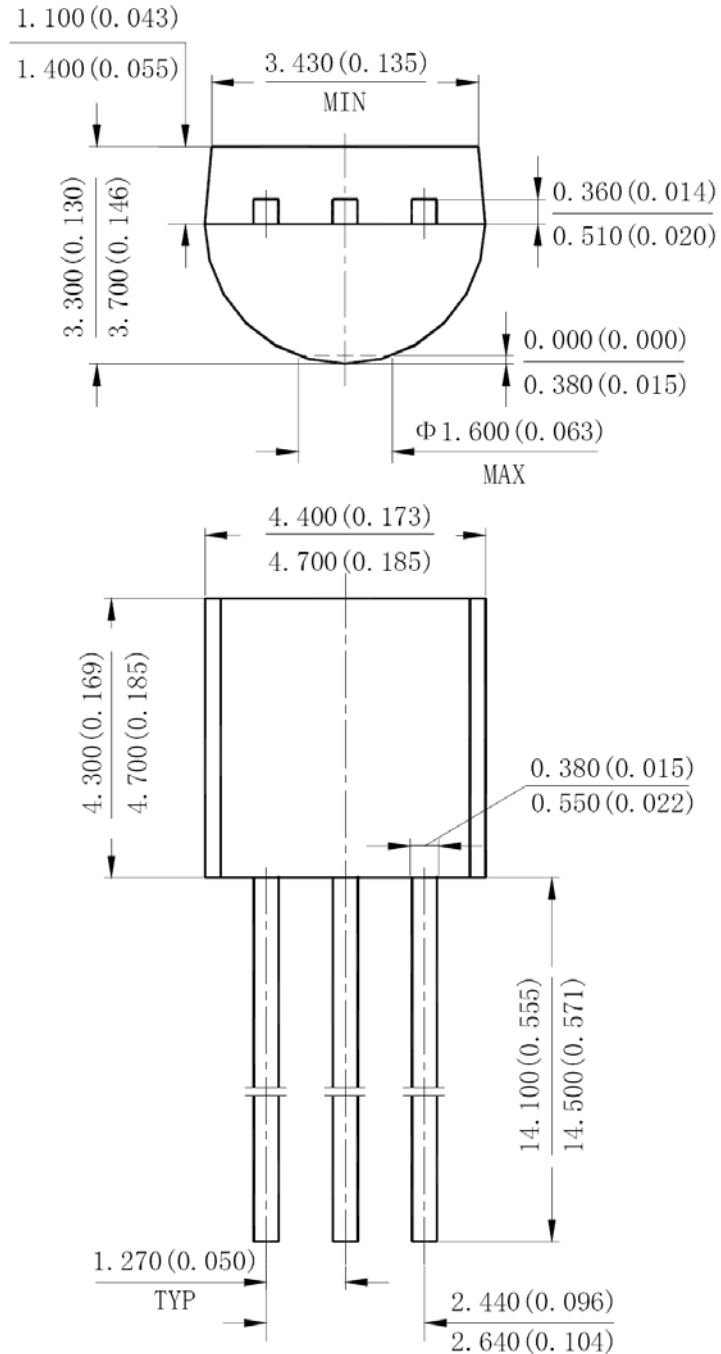
Device Marking Code

Circuit	Tolerance		SOT-23 (N)	SOT-23-5 (N5)	SOT-89 (K)
	LM431	Blank	2.20%	3A	3A
A		0.80%	EA2	E3B	E43B
B		0.40%	EA1	E3A	E43A

Dimensions in inches (mm)



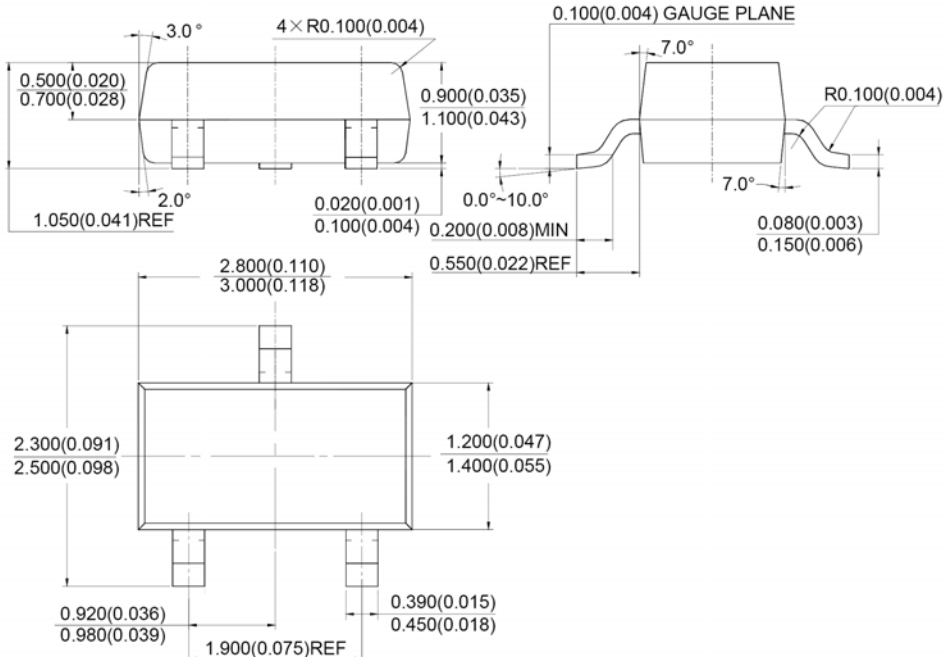
SOP-8



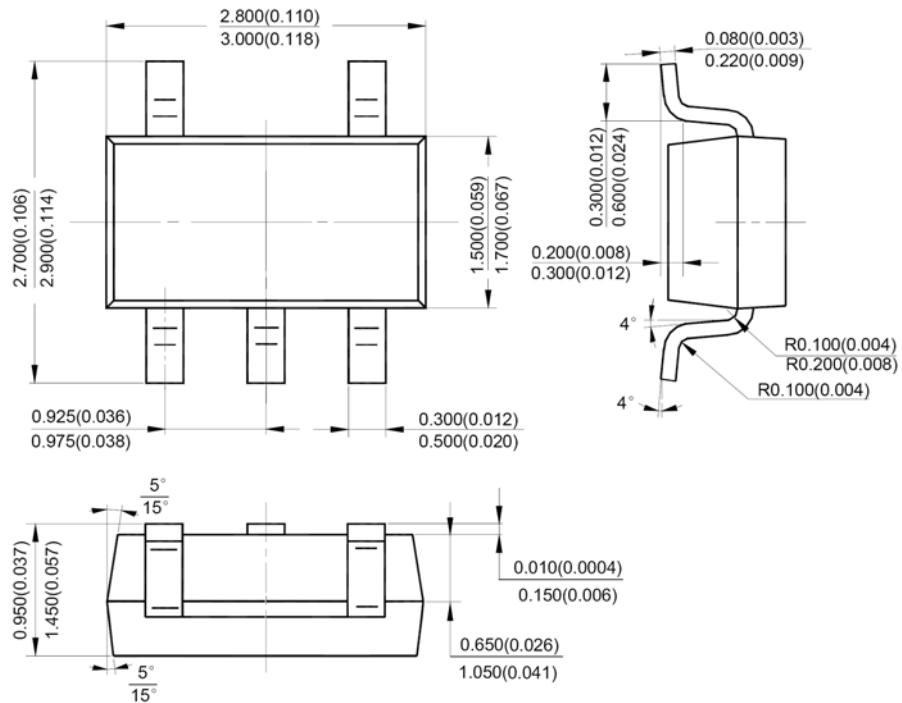
TO-92

Shunt Regulator

LM431



SOT-23



SOT-23-5

How to contact us:

US HEADQUARTERS

28040 WEST HARRISON PARKWAY, VALENCIA, CA 91355-4162

Tel: (800) TAITRON (800) 824-8766 (661) 257-6060

Fax: (800) TAITFAX (800) 824-8329 (661) 257-6415

Email: taitron@taitroncomponents.com

Http://www.taitroncomponents.com

TAITRON COMPONENTS MEXICO, S.A .DE C.V.

BOULEVARD CENTRAL 5000 INTERIOR 5 PARQUE INDUSTRIAL ATITALAQUIA, HIDALGO C.P.
42970 MEXICO

Tel: +52-55-5560-1519

Fax: +52-55-5560-2190

TAITRON COMPONETS INCORPORATED E REPRESENTAÇÕES DO BRASIL LTDA

RUA DOMINGOS DE MORAIS, 2777, 2.ANDAR, SALA 24 SAÚDE - SÃO PAULO-SP 04035-001 BRAZIL

Tel: +55-11-5574-7949

Fax: +55-11-5572-0052

TAITRON COMPONETS INCORPORATED, SHANGHAI REPRESENTATIVE OFFICE

CROSS REGION PLAZA, 899 LINGLING ROAD, SUITE 18C, SHANGHAI, 200030, CHINA

Tel: +86-21-5424-9942

Fax: +86-21-5424-9931