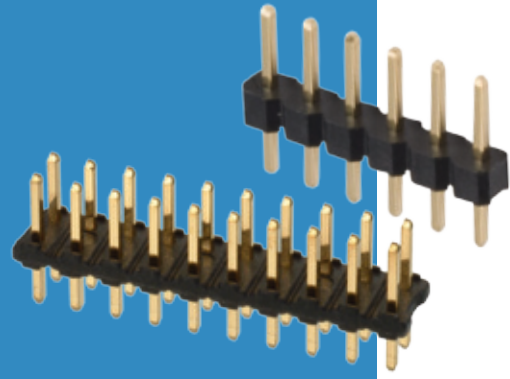


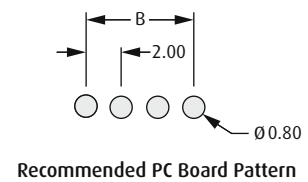
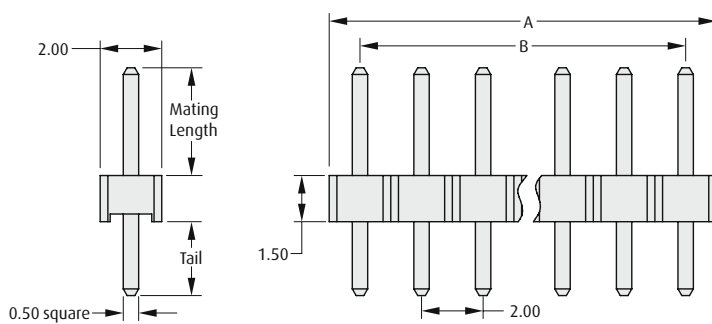
# M22 Connectors

## Male Vertical PC Tail

- ❖ Suitable for use with female PCB connectors and jumper sockets shown on pages 125 to 127. 4.2mm mating length also suitable for use with female crimp connectors shown on page 128.
- ❖ Pin headers can be cut into smaller sizes.
- ❖ For alternatives pin lengths, see pin header variants on page 134.



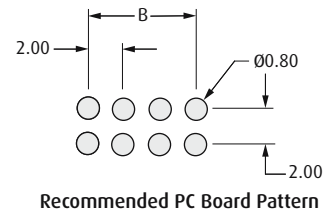
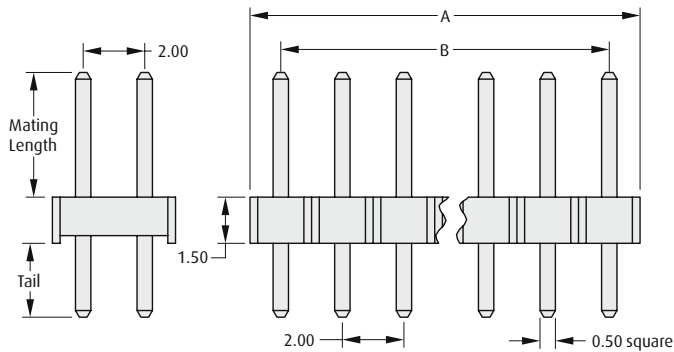
### SINGLE ROW



### CALCULATION

<b>A</b>	2.00 x No. of contacts per row
<b>B</b>	2.00 x (No. of contacts per row - 1)

### DOUBLE ROW



### HOW TO ORDER

**M22 - XXX XX XX**

#### SERIES CODE

#### CONNECTOR TYPE

Single	Double	Mating Length	Tail
201	202	3.50mm	3.40mm
251	252	3.50mm	2.30mm
271	272	4.20mm	2.30mm

#### FINISH

05	Gold	
46	Tin	

#### NO. OF CONTACTS PER ROW

02 to 50

All dimensions in mm.