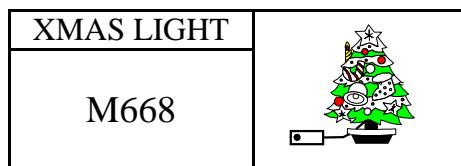




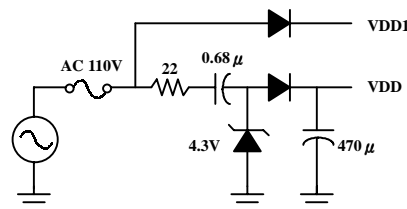
DUAL TONE MELODY  
XMAS LIGHT CONTROL

雙音音樂  
聖誕燈串控制 IC



FEATURES 功能敘述

- 5 SCR outputs.
- 2 mode sequence trigger key.
- Mode0 7 function Vol pin control volume.
- Mode1 8 function Auto volume control.
- OPT : "Floation" Mode0  
"VSS" Mode1



APPLICATION 產品應用

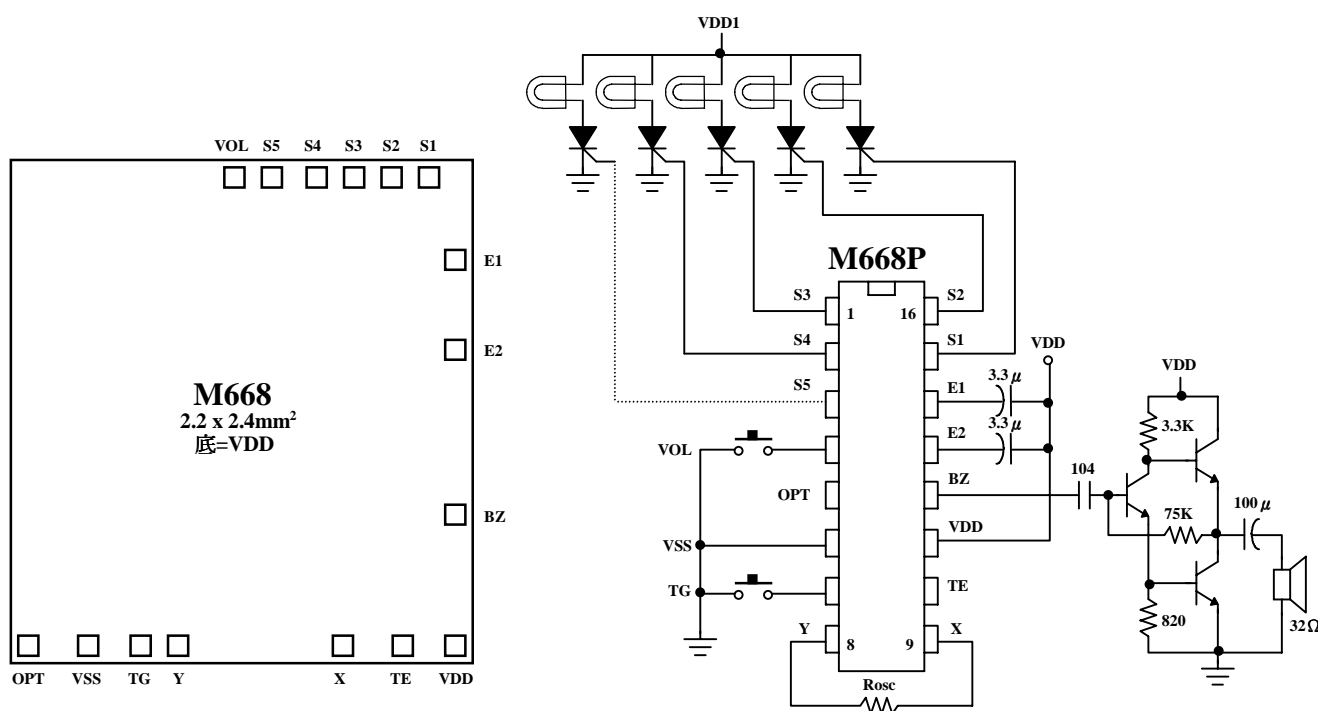
- Xmas light control etc..

ELECTRICAL CHARACTERISTICS 電氣規格

( @V<sub>DD</sub>=4.3V unless otherwise specified )

Characteristics	Sym.	Min.	Typ.	Max.	Unit	REMARKS
工作電壓 Operating Voltage	V <sub>DD</sub>	—	4.3	5	V	
工作電流 Operating Current	I <sub>OP</sub>	—	—	2	mA	No load
靜態電流 Quiescent Current	I <sub>SB</sub>	—	—	—	μA	
推動電流 BZ Driving Current	I <sub>OH</sub>	—	0.2	—	mA	@ V <sub>DS</sub> =1V
振盪頻率 Oscillator Frequency	F <sub>OSC</sub>	—	100	—	KHz	External± 30%, Rosc=270K Ω
工作溫度 Operating Temperature	Temp.	0	25	60	°C	

APPLICATION DIAGRAM 參考電路圖

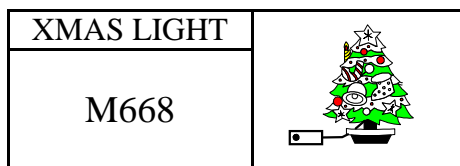


\* All specs and applications shown above subject to change without prior notice.  
( 以上電路及規格僅供參考,本公司得逕行修正 )



DUAL TONE MELODY  
XMAS LIGHT CONTROL

雙音音樂  
聖誕燈串控制 IC



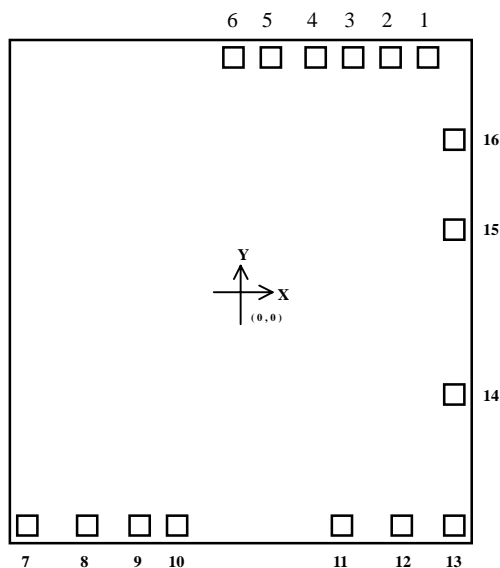
MODE FORMAT

MODE	MODE 0	MODE 1	
	LIGHT	LIGHT	VOLUME
M1	同時	同時	大
M2	2 組交替	2 組交替	中
M3	1 燈跑馬	1 燈跑馬	小
M4	2 燈跑馬	循環	大
M5	M1~M4 循環	同時+2 燈跑馬	中
M6	M1~M4 循環	2 組交替+1 燈跑馬	小
M7	全亮	循環	靜音
M8		全亮	

SONG LIST

- |                                  |  |
|----------------------------------|--|
| 1. Angels we have heard on high  | 13. It came upon the midnight clear    |
| 2. Silent night                  | 14. Santa Claus is coming to down      |
| 3. Away in a manger              | 15. O Christmas tree                   |
| 4. We three king of orient are   | 16. Rudolph, the red-nosed reindeer    |
| 5. Jingle bells                  | 17. What child is this                 |
| 6. We wish you a merry Christmas | 18. I saw three ships                  |
| 7. The twelve days of Christmas  | 19. O litter town of Bethlehem         |
| 8. Up on the housetop            | 20. God rest you merry, gentlemen hark |
| 9. Jolly old saint nickel        | 21. Deck the halls                     |
| 10. Good king wencelas           | 22. The herald angels sing             |
| 11. O come, all ye faithful      | 23. The snow lay on the ground         |
| 12. Joy to the world             | 24. Bring a torch                      |
|                                  | 25. The first noel                     |

PAD ASSIGNMENT & POSITION



UNIT : um

No.	PAD	X	Y
1	S1	822	982.5
2	S2	662.25	982.5
3	S3	502.5	982.5
4	S4	343.5	982.5
5	S5	157.5	982.5
6	VOL	0.75	981
7	MODE	-900	-982.5
8	VSS	-650.25	-982.5
9	TG	-425.25	-982.5
10	Y	-261	-982.5
11	X	422.25	-982.5
12	TEST	675.75	-982.5
13	VDD	900	-982.5
14	BZ	900	-437.25
15	E2	900	255
16	E1	900	630

\* IC CHIP ~ 2.2 x 2.4 mm<sup>2</sup>, substrate to VDD.

\* All specs and applications shown above subject to change without prior notice.

( 以上電路及規格僅供參考,本公司得逕行修正 )