



# MBR10100C

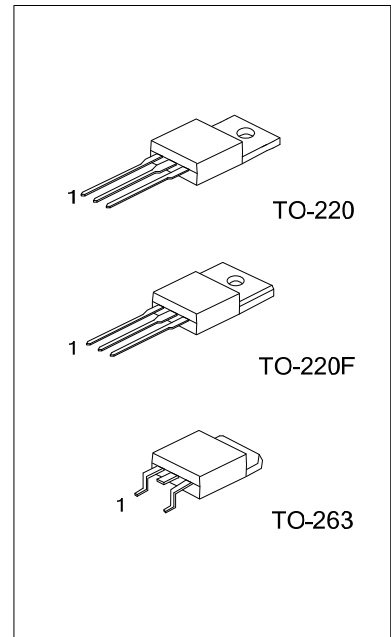
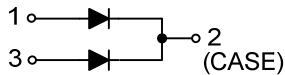
DIODE

## SCHOTTKY BARRIER RECTIFIER

### FEATURES

- \* 10 amps total (5 amps per diode leg)
- \* Guard ring for transient protection
- \* Low forward voltage drop
- \* High surge capability
- \* Low power loss/High efficiency

### SYMBOL



### ORDERING INFORMATION

Ordering Number		Package	Pin Assignment			Packing
Lead Free	Halogen Free		1	2	3	
MBR10100CL-TA3-T	MBR10100CG-TA3-T	TO-220	A	K	A	Tube
MBR10100CL-TF3-T	MBR10100CG-TF3-T	TO-220F	A	K	A	Tube
MBR10100CL-TQ2-T	MBR10100CG-TQ2-T	TO-263	A	K	A	Tube
MBR10100CL-TQ2-R	MBR10100CG-TQ2-R	TO-263	A	K	A	Tape Reel

Note: Pin Assignment: A: Anode K: Cathode

<p>MBR10100CL-TA3-T</p>	<p>(1) T: Tube, R: Tape Reel</p> <p>(2) TA3: TO-220, TF3: TO-220F, TQ2: TO-263</p> <p>(3) G: Halogen Free, L: Lead Free</p>
-------------------------	---

■ ELECTRICAL CHARACTERISTICS (T<sub>A</sub>=25°C, unless otherwise specified)

PARAMETER	SYMBOL	RATINGS	UNIT
Maximum Repetitive Peak Reverse Voltage	V <sub>RRM</sub>	100	V
Maximum non-repetitive Peak Reverse Voltage	V <sub>RM</sub>	100	V
Maximum DC Blocking Voltage	V <sub>R</sub>	100	V
Average Forward Rectified Output Current	Per Leg	5	A
	Total Device	10	A
Forward Voltage	I <sub>F</sub> =5A, T <sub>C</sub> =25°C	0.85	V
	I <sub>F</sub> =10A, T <sub>C</sub> =25°C	0.95	V
Maximum DC Reverse Current@ V <sub>R</sub> =100V	I <sub>R</sub>	0.1	mA
Junction Capacitance (Note 1)	C <sub>J</sub>	300	pF
Operating Temperature	T <sub>J</sub>	150	°C
Storage Temperature	T <sub>STG</sub>	-55 ~ +150	°C

Note.1: Applied V<sub>R</sub> = 4.0V and f = 1.0MHz.

UTC assumes no responsibility for equipment failures that result from using products at values that exceed, even momentarily, rated values (such as maximum ratings, operating condition ranges, or other parameters) listed in products specifications of any and all UTC products described or contained herein. UTC products are not designed for use in life support appliances, devices or systems where malfunction of these products can be reasonably expected to result in personal injury. Reproduction in whole or in part is prohibited without the prior written consent of the copyright owner. The information presented in this document does not form part of any quotation or contract, is believed to be accurate and reliable and may be changed without notice.