

**HIGH VOLTAGE POWER SCHOTTKY RECTIFIER      MBR20100C**

**General Description**

High voltage dual Schottky rectifier suited for switch mode power supplies and other power converters. This device is intended for use in medium voltage operation, and particularly, in high frequency circuits where low switching losses and low noise are required.

The MBR20100C is available in standard, TO-220-3, TO-220-3 (2) and TO-220F-3 packages.

**Features**

- High Surge Capacity
- 150°C Operating Junction Temperature
- 20 A Total (10 A Per Diode Leg)
- Guard-Ring for Stress Protection
- Pb- Free Packages are available

**Main Product Characteristics**

$I_{F(AV)}$	2*10A
$V_{RRM}$	100V
$T_J$	150°C
$V_{F(max)}$	0.75V

**Mechanical Characteristics**

- Case: Epoxy, Molded
- Epoxy Meets UL 94 V-0@ 0.125 in
- Weight (Approximately):  
1.9 Grams (TO-220-3, TO-220-3(2) and TO-220F-3)
- Finish: All External Surfaces Corrosion Resistant and Terminal
- Leads are Readily Solderable
- Lead Temperature for Soldering Purposes:  
260°C Max. for 10 Seconds

**Applications**

- Power Supply – Output Rectification
- Power Management
- Instrumentation

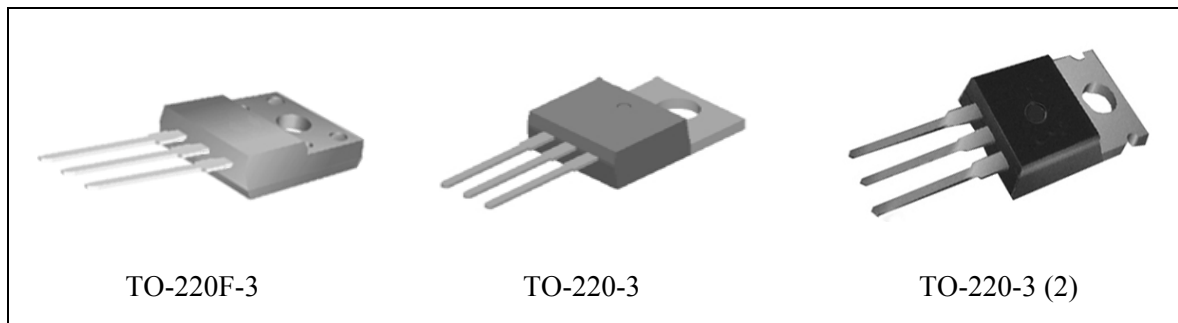


Figure 1. Package Type of MBR20100C

**Pin Configuration**

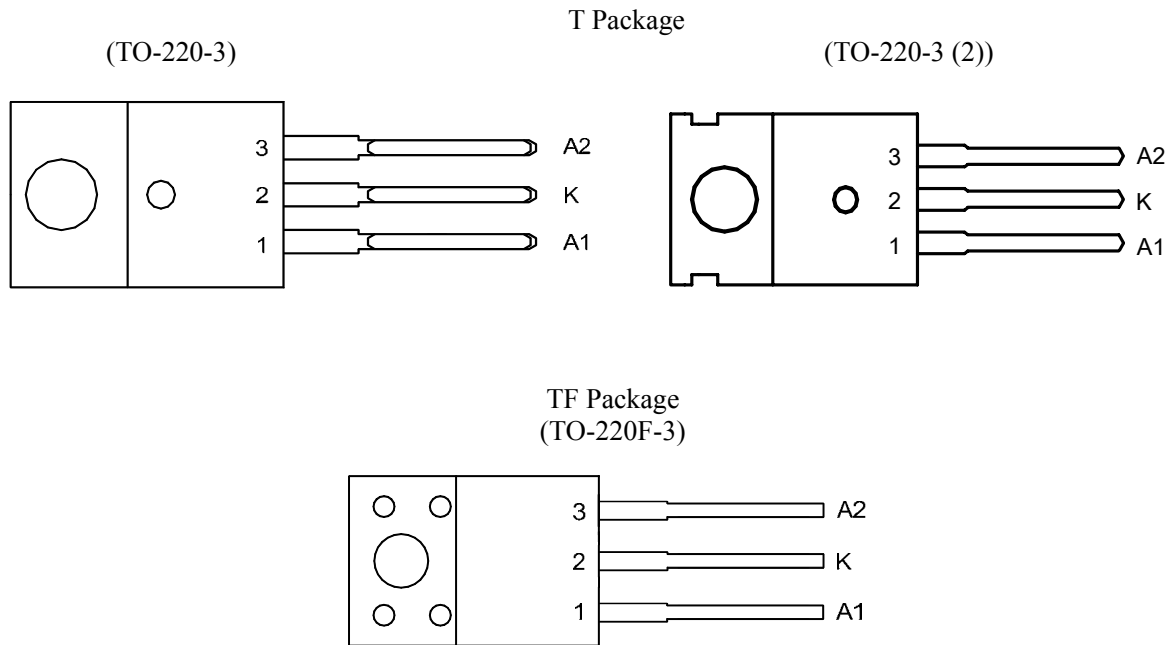


Figure 2. Pin Configuration of MBR20100C (Top View)

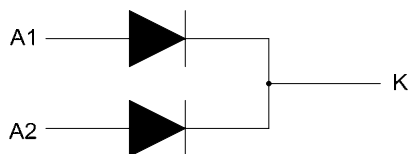
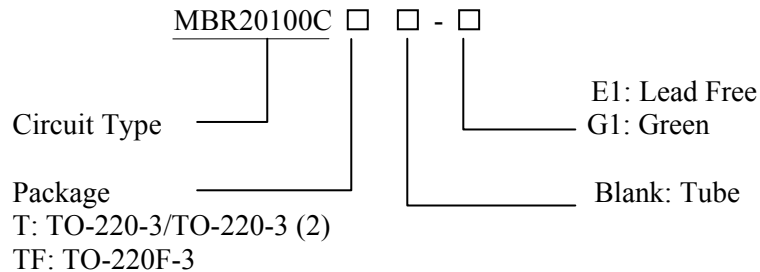


Figure 3. Internal Structure of MBR20100C

**HIGH VOLTAGE POWER SCHOTTKY RECTIFIER****MBR20100C****Ordering Information**

Package	Part Number		Marking ID		Packing Type
	Lead Free	Green	Lead Free	Green	
TO-220-3/ TO-220-3(2)	MBR20100CT-E1	MBR20100C T-G1	MBR20100CT- E1	MBR20100CT- G1	Tube
TO-220F-3	MBR20100CTF-E 1	MBR20100C TF-G1	MBR20100CTF -E1	MBR20100CTF -G1	Tube

BCD Semiconductor's Pb-free products, as designated with "E1" suffix in the part number, are RoHS compliant. Products with "G1" suffix are available in green packages.

**Absolute Maximum Ratings ( Per Diode Leg) (Note 1)**

Parameter	Symbol	Value	Unit
Peak Repetitive Reverse Voltage Working Peak Reverse Voltage DC Blocking Voltage	$V_{RRM}$ $V_{RWM}$ $V_R$	100	V
Average Rectified Forward Current (Rated $V_R$ ) $T_C = 134^\circ\text{C}$	$I_{F(AV)}$	10	A
Peak Repetitive Forward Current (Rated $V_R$ , Square Wave, 20 kHz) $T_C = 134^\circ\text{C}$	$I_{FRM}$	20	A
Non repetitive Peak Surge Current (Surge applied at rated load conditions half wave, single phase, 60Hz)	$I_{FSM}$	150	A
Operating Junction Temperature Range (Note 2)	$T_J$	150	$^\circ\text{C}$
Storage Temperature Range	$T_{STG}$	-65 to 150	$^\circ\text{C}$
Voltage Rate of Change (Rated $V_R$ )	$dv/dt$	10000	$\text{V}/\mu\text{s}$
ESD Ratings: Machine Model = C Human Body Model = 3B		> 400 > 8000	V

Note 1: Stresses greater than those listed under "Absolute Maximum Ratings" may cause permanent damage to the device. These are stress ratings only, and functional operation of the device at these or any other conditions beyond those indicated under "Recommended Operating Conditions" is not implied. Exposure to "Absolute Maximum Ratings" for extended periods may affect device reliability.

Note 2: The heat generated must be less than the thermal conductivity from Junction-to-Ambient:  $dP_D/dT_J < 1/\theta_{JA}$ .

**HIGH VOLTAGE POWER SCHOTTKY RECTIFIER****MBR20100C****Recommended Operating Conditions**

Parameter	Symbol	Condition	Value		Unit
Maximum Thermal Resistance	$\theta_{JC}$	Junction to Case	TO-220-3/ TO-220-3(2)	2.5	°C/W
			TO-220F-3	4.5	
	$\theta_{JA}$	Junction to Ambient	TO-220-3/ TO-220-3(2)	60	
			TO-220F-3	60	

**Electrical Characteristics**

Parameter	Symbol	Conditions	Value	Units
Maximum Instantaneous Forward Voltage Drop (Note 3)	$V_F$	$I_F=10A, T_C=25^\circ C$	0.85	V
		$I_F=10A, T_C=125^\circ C$	0.75	
		$I_F=20 A, T_C=25^\circ C$	0.95	
		$I_F=20 A, T_C=125^\circ C$	0.85	
Maximum Instantaneous Reverse Current (Note 3)	$I_R$	Rated DC Voltage, $T_C=125^\circ C$	6.0	mA
		Rated DC Voltage, $T_C=25^\circ C$	0.1	

Note 3: Pulse Test: Pulse Width = 300 $\mu$ s, Duty Cycle  $\leq$ 2.0%.



**HIGH VOLTAGE POWER SCHOTTKY RECTIFIER**

**MBR20100C**

**Typical Performance Characteristics**

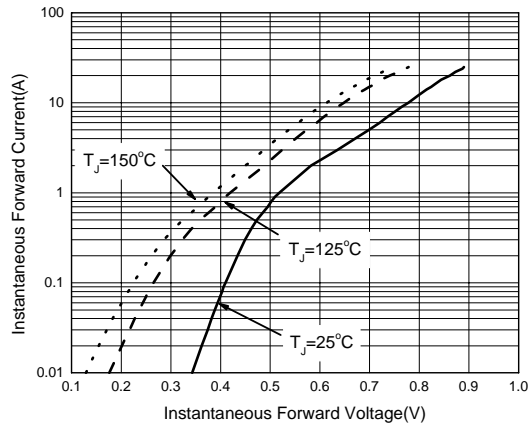


Figure 4. Typical Forward Voltage Per Diode

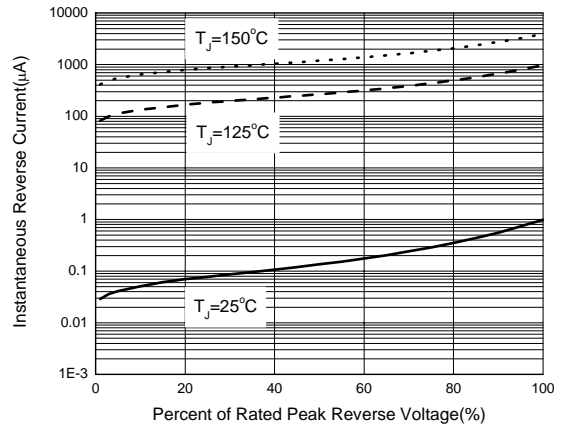


Figure 5. Typical Reverse Current Per Diode

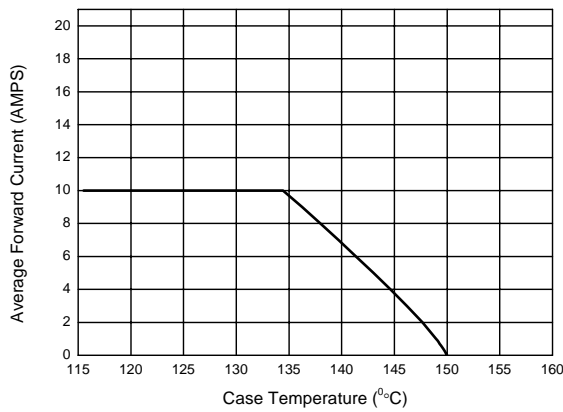
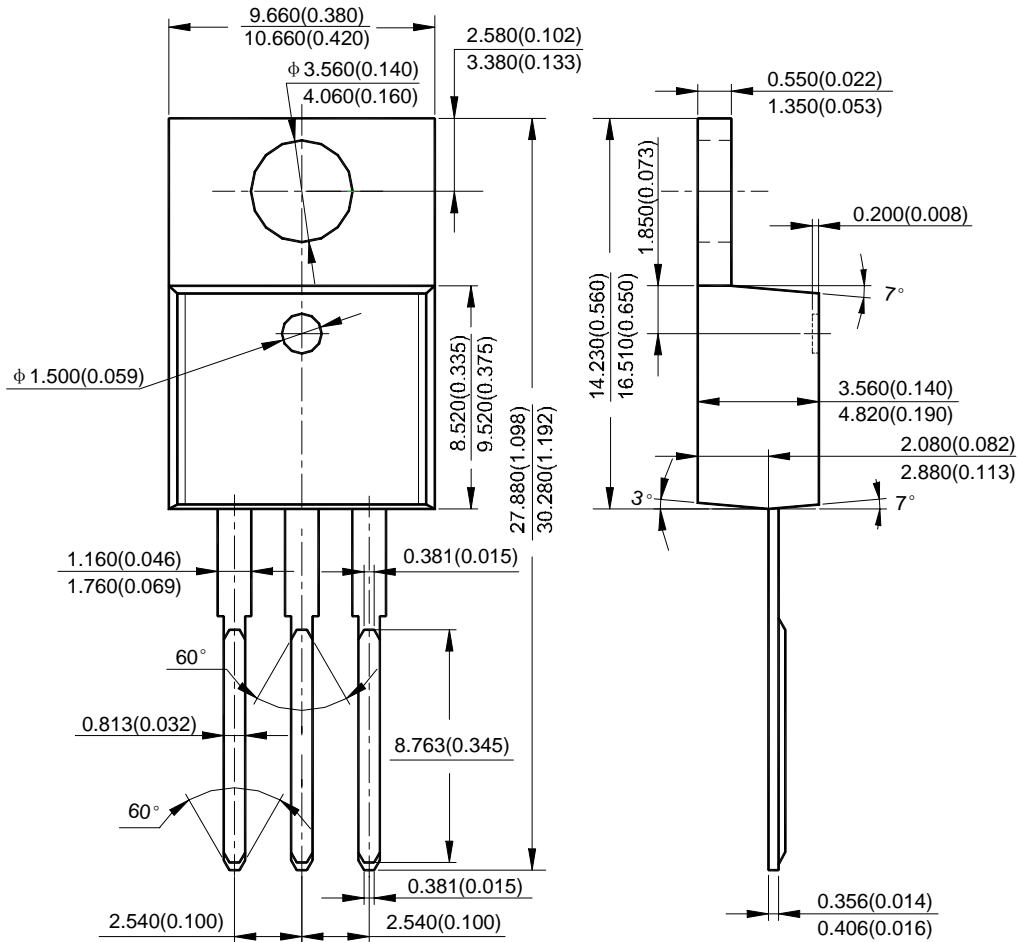


Figure 6. Average Forward Current vs. Case Temperature (Square, Per Diode)

**HIGH VOLTAGE POWER SCHOTTKY RECTIFIER****MBR20100C****Mechanical Dimensions****TO-220-3****Unit: mm(inch)**

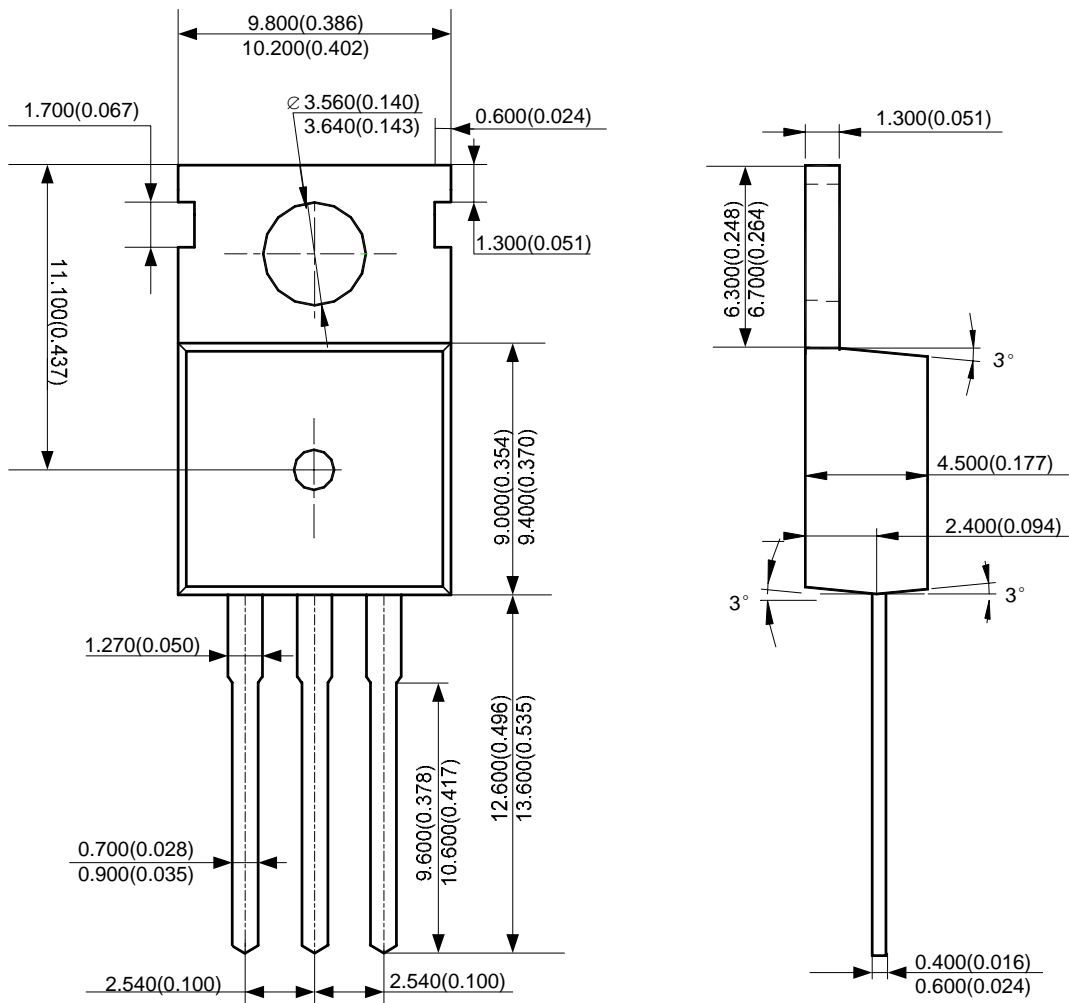
**HIGH VOLTAGE POWER SCHOTTKY RECTIFIER**

**MBR20100C**

**Mechanical Dimensions**

**TO-220-3(2)**

**Unit: mm(inch)**



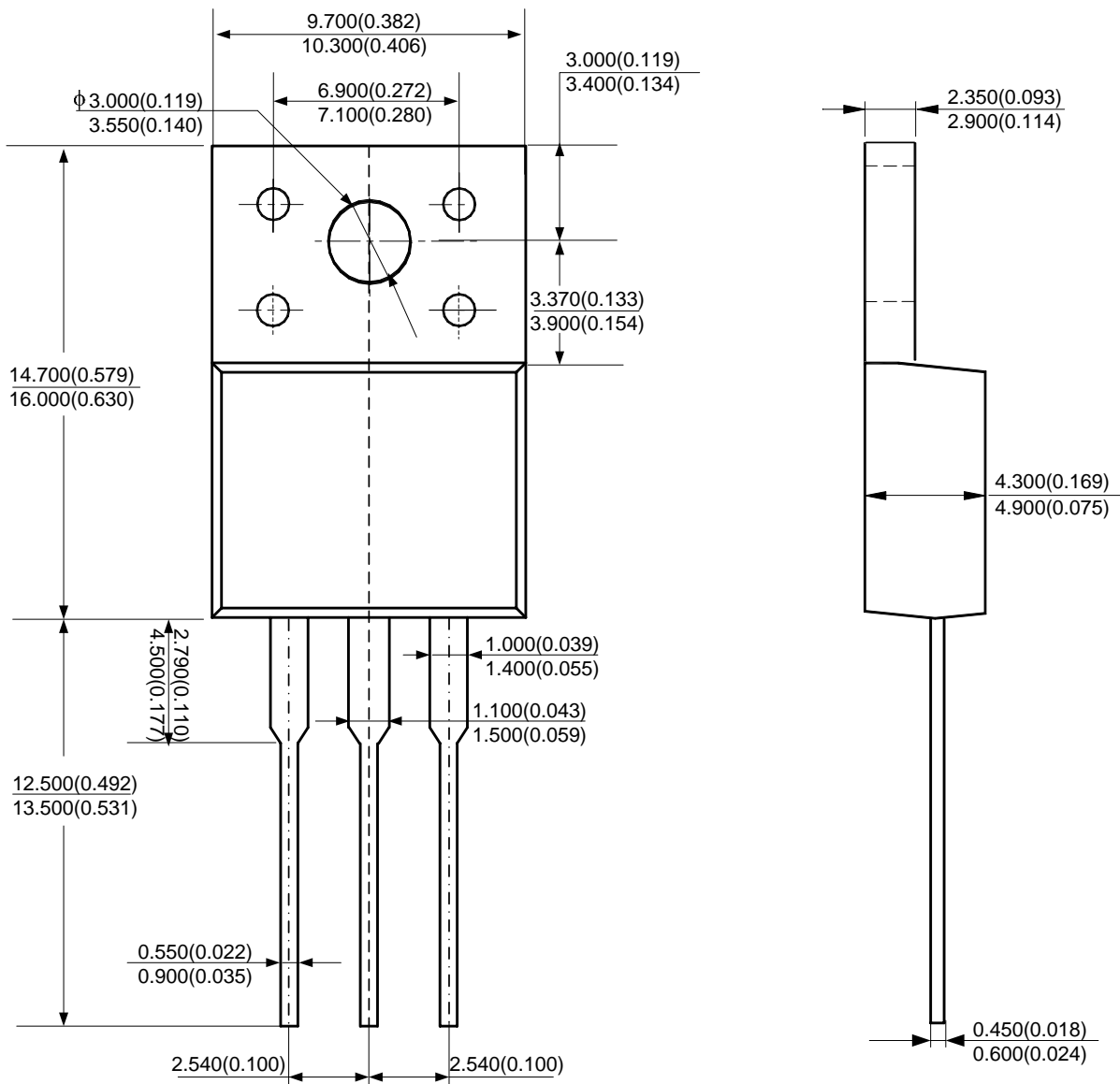
**HIGH VOLTAGE POWER SCHOTTKY RECTIFIER**

**MBR20100C**

**Mechanical Dimensions (Continued)**

**TO-220F-3**

**Unit: mm(inch)**







## **BCD Semiconductor Manufacturing Limited**

<http://www.bcdsemi.com>

### **IMPORTANT NOTICE**

BCD Semiconductor Manufacturing Limited reserves the right to make changes without further notice to any products or specifications herein. BCD Semiconductor Manufacturing Limited does not assume any responsibility for use of any its products for any particular purpose, nor does BCD Semiconductor Manufacturing Limited assume any liability arising out of the application or use of any its products or circuits. BCD Semiconductor Manufacturing Limited does not convey any license under its patent rights or other rights nor the rights of others.

---

#### **MAIN SITE**

##### **- Headquarters**

##### **BCD Semiconductor Manufacturing Limited**

No. 1600, Zi Xing Road, Shanghai Zizhu Science-based Industrial Park, 200241, China  
Tel: +86-21-24162266, Fax: +86-21-24162277

##### **- Wafer Fab**

##### **Shanghai SIM-BCD Semiconductor Manufacturing Co., Ltd.**

800 Yi Shan Road, Shanghai 200233, China  
Tel: +86-21-6485 1491, Fax: +86-21-5450 0008

#### **REGIONAL SALES OFFICE**

##### **Shenzhen Office**

**Shanghai SIM-BCD Semiconductor Manufacturing Co., Ltd., Shenzhen Office**  
Room E, 5F, Noble Center, No.1006, 3rd Fuzhong Road, Futian District, Shenzhen,  
518026, China  
Tel: +86-755-8826 7951  
Fax: +86-755-8826 7865

##### **Taiwan Office**

**BCD Semiconductor (Taiwan) Company Limited**  
4F, 298-1, Rui Guang Road, Nei-Hu District, Taipei,  
Taiwan  
Tel: +886-2-2656 2808  
Fax: +886-2-2656 2806

##### **USA Office**

**BCD Semiconductor Corp.**  
30920 Huntwood Ave. Hayward,  
CA 94544, USA  
Tel : +1-510-324-2988  
Fax: +1-510-324-2788