

## SCHOTTKY BARRIER RECTIFIERS

REVERSE VOLTAGE - 30 to 150Volts  
FORWARD CURRENT - 20.0 Amperes

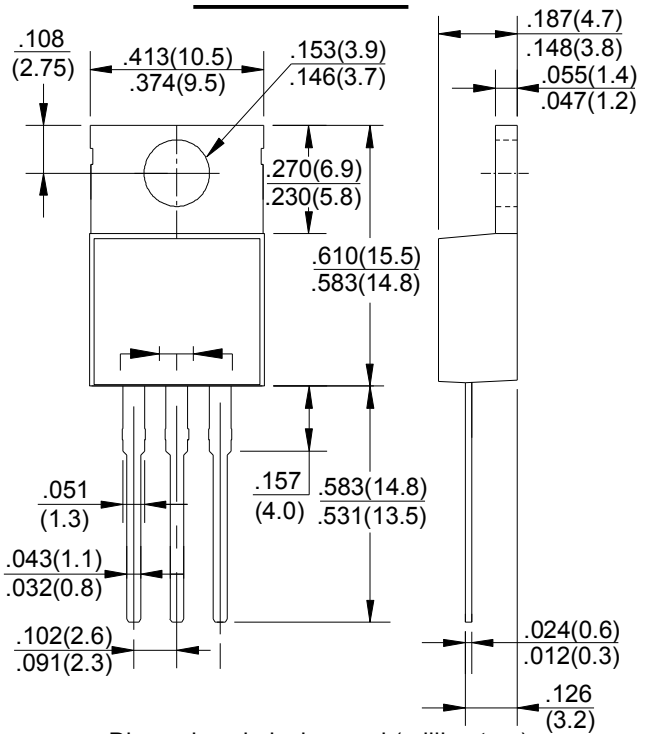
### FEATURES

- Metal of silicon rectifier , majority carrier conduction
- Guard ring for transient protection
- Low power loss,high efficiency
- High current capability,low VF
- High surge capacity
- Plastic package has UL flammability classification 94V-0
- For use in low voltage,high frequency inverters,free wheeling,and polarity protection applications

### MECHANICAL DATA

- Case: TO-220AB molded plastic
- Polarity: As marked on the body
- Weight: 0.08ounces,2.24 grams
- Mounting position :Any

### TO-220AB



### MAXIMUM RATINGS AND ELECTRICAL CHARACTERISTICS

Rating at 25°C ambient temperature unless otherwise specified.

Single phase, half wave ,60Hz, resistive or inductive load.

For capacitive load, derate current by 20%

CHARACTERISTICS	SYMBOL	MBR 2030CT	MBR 2040CT	MBR 2050CT	MBR 2060CT	MBR 2080CT	MBR 20100CT	MBR 20150CT	UNIT
Maximum Recurrent Peak Reverse Voltage	V <sub>RRM</sub>	30	40	50	60	80	100	150	V
Maximum RMS Voltage	V <sub>RMS</sub>	21	28	35	42	56	70	105	V
Maximum DC Blocking Voltage	V <sub>DC</sub>	30	40	50	60	80	100	150	V
Maximum Average Forward Rectified Current ( See Fig.1)	I <sub(av)< sub=""></sub(av)<>	20.0							A
Peak Forward Surge Current 8.3ms Single Half Sine-Wave Super Imposed on Rated Load (JEDEC Method)	I <sub>FSM</sub>	150							A
Peak Forward Voltage (Note1)	V <sub>F</sub>	-	0.57	0.70	0.80	0.85	0.95	0.95	V
			0.84	0.95	0.70	0.75	0.85	0.85	
			0.72	0.85	0.95	0.95	1.05	1.05	
			0.72	0.85	0.85	0.85	0.95	0.95	
Maximum DC Reverse Current at Rated DC Bolcking Voltage	I <sub>R</sub>	0.1	15	10	0.1	0.1	0.1	0.1	mA
							7.5	5.0	
Typical Junction Capacitance (Note2)	C <sub>J</sub>	400	320						pF
Typical Thermal Resistance (Note3)	R <sub>θJC</sub>	1.5				3.5			°C/W
Operating Temperature Range	T <sub>J</sub>	-55 to +150							°C
Storage Temperature Range	T <sub>STG</sub>	-55 to +175							°C

NOTES:1.300us pulse width,2% duty cycle.

2.Measured at 1.0 MHz and applied reverse voltage of 4.0V DC.

3.Thermal resistance junction to case.

**RATING AND CHARACTERISTIC CURVES**  
**MBR2030CT thru MBR20150CT**



FIG. 1 – FORWARD CURRENT DERATING CURVE

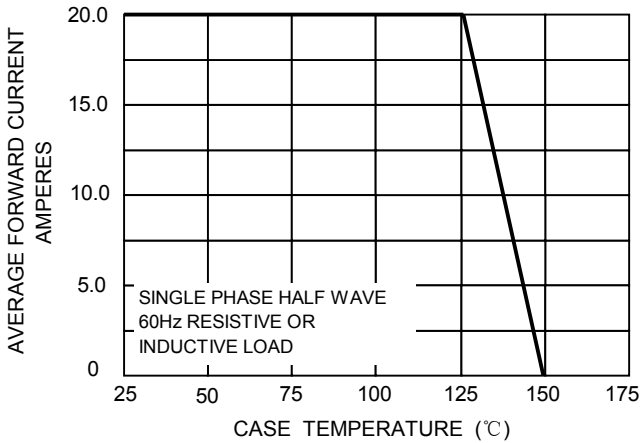


FIG. 2 – MAXIMUM NON-REPETITIVE SURGE CURRENT

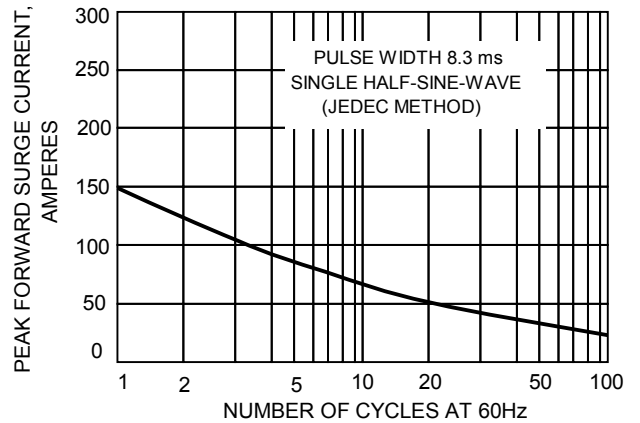


FIG.3-TYPICAL REVER CHARACTERISTICS

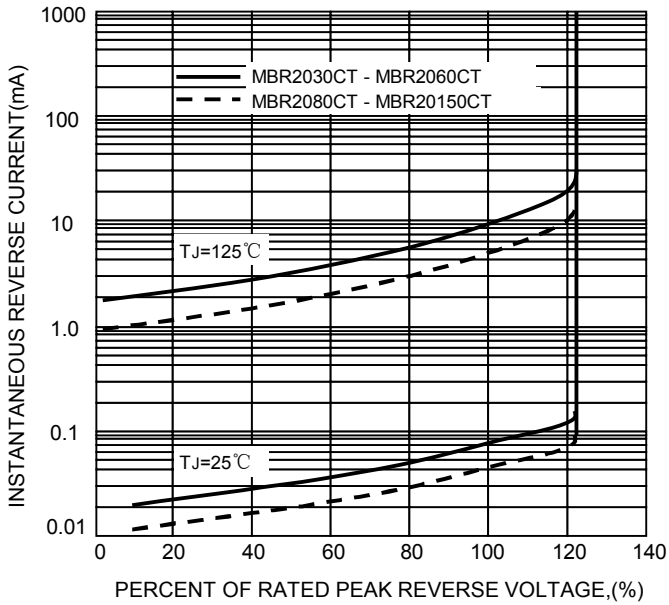


FIG.4-TYPICAL FORWARD CHARACTERISTICS

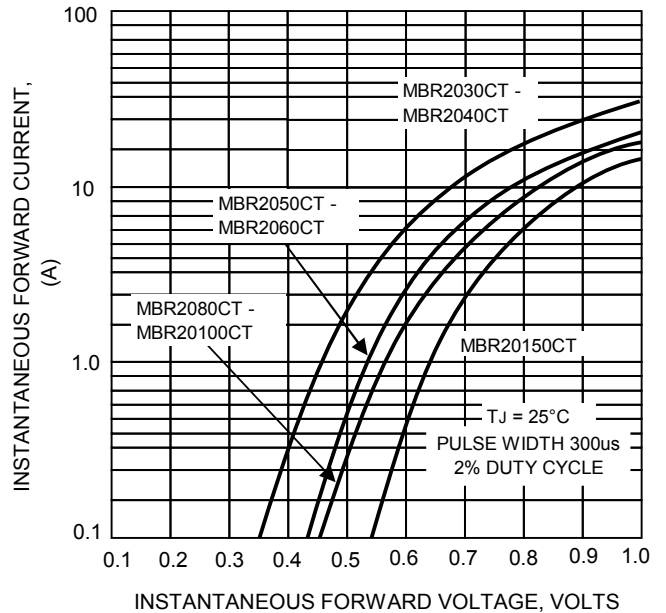


FIG.5 – TYPICAL JUNCTION CAPACITANCE

