



SOT-23 Plastic-Encapsulated Diodes

MMBD4148A/SE/CC/CA SWITCHING DIODE

FEATURES

Power dissipation

P_D : 350 mW ($T_{amb}=25^\circ\text{C}$)

Forward Current

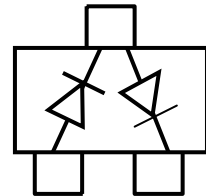
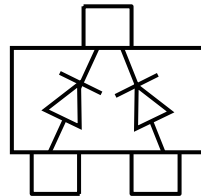
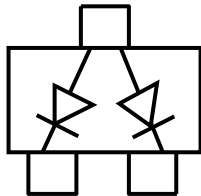
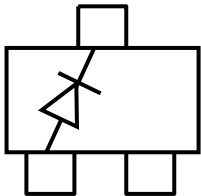
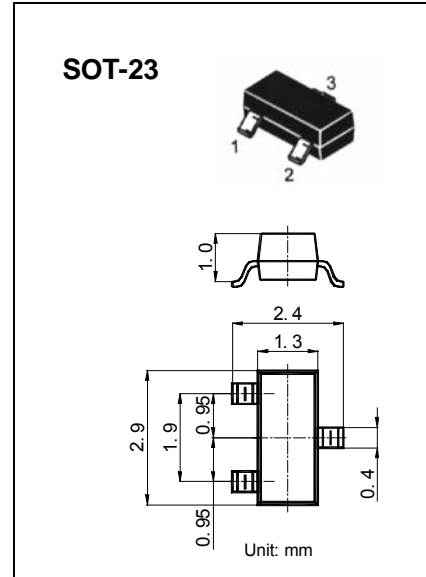
I_F : 200 mA

Reverse Voltage

V_R : 100 V ($I_R=100\mu\text{A}$)

Operating and storage junction temperature range

T_J, T_{stg} : -55°C to $+150^\circ\text{C}$



MMBD4148A Marking: 5H MMBD4148CA Marking: D6 MMBD4148CC Marking: KD5 MMBD4148SE Marking: D4

ELECTRICAL CHARACTERISTICS ($T_{amb}=25^\circ\text{C}$ unless otherwise specified)

Parameter	Symbol	Test conditions	MIN	MAX	UNIT
Reverse breakdown voltage	$V_{(BR)}$	$I_R=100\mu\text{A}$ $I_R=5\mu\text{A}$	100 75		V
Reverse voltage leakage current	I_R	$V_R=25\text{V}$ $V_R=75\text{V}$		25 5	nA μA
Forward voltage	V_F	$I_F=10\text{mA}$		1	V
Diode capacitance	C_D	$V_R=0, f=1\text{MHz}$		4	pF
Reverse recovery time	t_{rr}	$I_F=10\text{mA}, V_R=6\text{V}$ $I_{RR}=1.0\text{mA}, R_L=100\Omega$		4	ns