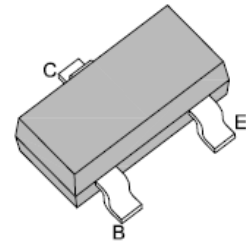


## SMD High Voltage Transistor (PNP)

### Features

- This device is designed for high voltage driver applications
- RoHS compliance



### Mechanical Data

<b>Case:</b>	SOT-23, Plastic Package
<b>Terminals:</b>	Solderable per MIL-STD-202G, Method 208
<b>Weight:</b>	0.008 gram

SOT-23



### Maximum Ratings *(T<sub>Ambient</sub>=25°C unless noted otherwise)*

Symbol	Description	MMBTA92	Unit
	Marking Code	2D	
<b>-V<sub>CBO</sub></b>	Collector-Base Voltage	300	V
<b>-V<sub>CEO</sub></b>	Collector-Emitter Voltage	300	V
<b>-V<sub>EBO</sub></b>	Emitter-Base Voltage	5	V
<b>-I<sub>C</sub></b>	Collector Current	500	mA
<b>P<sub>tot</sub></b>	Power Dissipation up to T <sub>A</sub> =25°C	250	mW
<b>T<sub>J</sub></b>	Junction Temperature	150	°C
<b>T<sub>STG</sub></b>	Storage Temperature Range	-55 to +150	°C

# SMD High Voltage Transistor (PNP)

## MMBTA92

### Electrical Characteristics ( $T_{Ambient}=25^{\circ}C$ unless noted otherwise)

Symbol	Description	MMBTA92		Unit	Conditions
		Min.	Max.		
<b>h<sub>FE</sub></b>	D.C. Current Gain	25	-		$-V_{CE}=10V, -I_C=1mA$
		40	-		$-V_{CE}=10V, -I_C=10mA$
		25	-		$-V_{CE}=10V, -I_C=30mA$
<b>-V<sub>(BR)CEO</sub></b>	Collector-Emitter Breakdown Voltage	300	-	V	$-I_C=1mA, I_B=0$
<b>-V<sub>(BR)CBO</sub></b>	Collector-Base Breakdown Voltage	300	-	V	$-I_C=100\mu A, I_E=0$
<b>-V<sub>(BR)EBO</sub></b>	Emitter-Base Breakdown Voltage	5	-	V	$-I_E=100\mu A, I_C=0$
<b>-V<sub>CE(sat)</sub></b>	Collector-Emitter Saturation Voltage	-	0.5	V	$-I_C=20mA, -I_B=2mA$
<b>-V<sub>BE(sat)</sub></b>	Base-Emitter Saturation Voltage	-	0.9	V	$-I_C=20mA, -I_B=2mA$
<b>-I<sub>EBO</sub></b>	Collector-Emitter Cut-off Current	-	0.1	mA	$-V_{BE}=3V, I_C=0$
<b>-I<sub>CBO</sub></b>	Collector-Base Cut-off Current	-	0.25	$\mu A$	$-V_{CB}=200V, I_E=0$
<b>f<sub>T</sub></b>	Current Gain-Bandwidth Product	50	-	MHz	$-V_{CE}=20V, -I_C=10mA, f=100MHz$
<b>C<sub>cb</sub></b>	Collector-Base Capacitance	-	6	pF	$-V_{CB}=20V, I_E=0, f=1.0MHz,$

# SMD High Voltage Transistor (PNP)

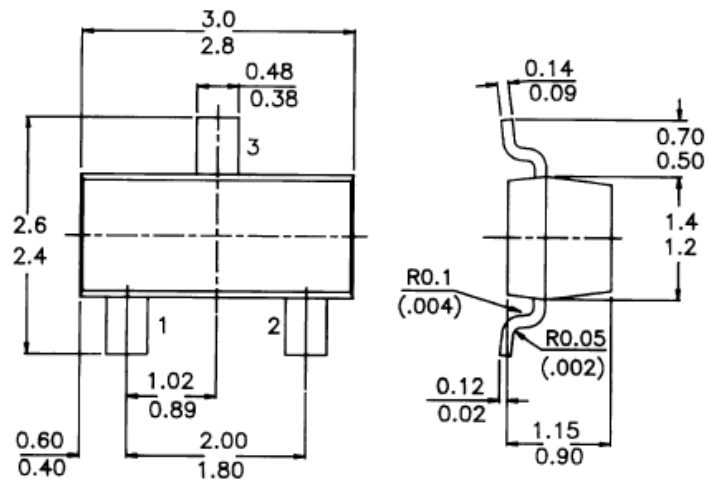
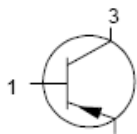
## MMBTA92

Dimensions in mm

### SOT-23

#### Pin configuration

- 1 = BASE
- 2 = EMITTER
- 3 = COLLECTOR



### How to contact us:

#### US HEADQUARTERS

28040 WEST HARRISON PARKWAY, VALENCIA, CA 91355-4162

Tel: (800) TAITRON (800) 824-8766 (661) 257-6060

Fax: (800) TAITFAX (800) 824-8329 (661) 257-6415

Email: [taitron@taitroncomponents.com](mailto:taitron@taitroncomponents.com)

Http://[www.taitroncomponents.com](http://www.taitroncomponents.com)

#### TAITRON COMPONENTS MEXICO, S.A .DE C.V.

BOULEVARD CENTRAL 5000 INTERIOR 5 PARQUE INDUSTRIAL ATITALAQUIA, HIDALGO C.P.

42970 MEXICO

Tel: +52-55-5560-1519

Fax: +52-55-5560-2190

#### TAITRON COMPONENTS INCORPORATED REPRESENTAÇÕES DO BRASIL LTDA

RUA DOMINGOS DE MORAIS, 2777, 2.ANDAR, SALA 24 SAÚDE - SÃO PAULO-SP 04035-001 BRAZIL

Tel: +55-11-5574-7949

Fax: +55-11-5572-0052

#### TAITRON COMPONENTS INCORPORATED, SHANGHAI REPRESENTATIVE OFFICE

METROBANK PLAZA, 1160 WEST YAN' AN ROAD, SUITE 1503, SHANGHAI, 200052, CHINA

Tel: +86-21-5424-9942

Fax: +86-21-5424-9931