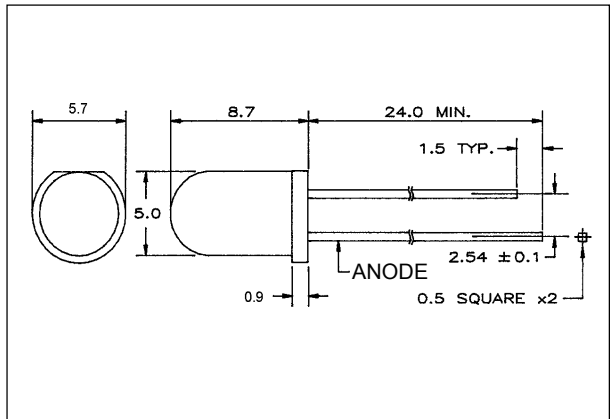


Ultra Bright T-1¾ LED Lamps

FEATURES

- Excellent on/off contrasts
- Low drive current
- High intensity light emission
- Choice of lens color
- Can be packaged on tape in a reel or in a box



MAXIMUM RATINGS (Ta = 25°C)

PART NO.	FORWARD CURRENT (I _F) (mA)	REVERSE VOLTAGE (V _R) (V)	POWER DISSIPATION (P _D) (mW)	OPERATING TEMPERATURE (T _{opr}) (°C)	STORAGE TEMPERATURE (T _{stg}) (°C)
MT7115A-UR	30	4.0	70	-25~+85	-25~+100
MT7215A-UR	30	4.0	70	-25~+85	-25~+100
MT7315A-UR	30	4.0	70	-25~+85	-25~+100
MT7415A-UR	30	4.0	70	-25~+85	-25~+100
MT7115B-UR	30	4.0	70	-25~+85	-25~+100
MT7215B-UR	30	4.0	70	-25~+85	-25~+100
MT7315B-UR	30	4.0	70	-25~+85	-25~+100
MT7415B-UR	30	4.0	70	-25~+85	-25~+100

OPTO-ELECTRICAL CHARACTERISTICS (Ta = 25°C)

PART NO.	MATERIAL	LENS COLOR	VIEWING ANGLE typ.	LUMINOUS INTENSITY (mcd)			FORWARD VOLTAGE (V)			REVERSE CURRENT		PEAK WAVE LENGTH
				min.	typ.	@mA	typ.	max.	@mA	µA	V _r	nm
MT7115A-UR	GaAlAs/GaAs	Red Diff	40°	100	165	20	1.9	2.5	20	100	4	660
MT7215A-UR	GaAlAs/GaAs	White Diff	40°	100	165	20	1.9	2.5	20	100	4	660
MT7315A-UR	GaAlAs/GaAs	Water Clear	24°	290	490	20	1.9	2.5	20	100	4	660
MT7415A-UR	GaAlAs/GaAs	Red Clear	24°	290	490	20	1.9	2.5	20	100	4	660
MT7115B-UR	GaAlAs	Red Diff	40°	175	290	20	1.9	2.5	20	100	4	660
MT7215B-UR	GaAlAs	White Diff	40°	175	290	20	1.9	2.5	20	100	4	660
MT7315B-UR	GaAlAs	Water Clear	24°	700	1150	20	1.9	2.5	20	100	4	660
MT7415B-UR	GaAlAs	Red Clear	24°	700	1150	20	1.9	2.5	20	100	4	660



120 Broadway • Menands, New York 12204
Toll Free: (800) 98-4LEDS • Fax: (518) 432-7454