

# MUR15120F

## 15 Amp Super Fast Recovery Rectifier 1200 Volts

### Features

- High efficiency
- Soft recovery characteristics
- Lead Free Finish/Rohs Compliant (Note1) ("P" Suffix designates Compliant. See ordering information)
- Epoxy meets UL 94 V-0 flammability rating
- Moisture Sensitivity Level 1

### Maximum Ratings

- Operating Temperature: -55°C to +150°C
- Storage Temperature: -55°C to +150°C

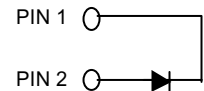
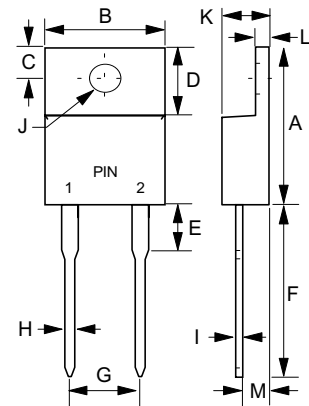
MCC Catalog Number	Maximum Recurrent Peak Reverse Voltage	Maximum RMS Voltage	Maximum DC Blocking Voltage
MUR15120F	1200V	840V	1200V

Electrical Characteristics @ 25°C Unless Otherwise Specified

Average Rectified Forward Current (Rated VR-20Khz Square Wave) - 50% duty cycle	$I_{F(AV)}$	15A	$T_C = 110^\circ\text{C}$
Peak Forward Surge Current	$I_{FSM}$	110A	8.3ms, half sine wave
Maximum Instantaneous Forward Voltage	$V_F$	2.2V(typ.) 2.7V(max) 1.9V(max)	$I_F = 15A$ $T_J = 25^\circ\text{C}$ $I_F = 15A$ $T_J = 125^\circ\text{C}$
Maximum Reverse Current At Rated DC Blocking Voltage	$I_R$	0.01mA 0.6 mA	$T_J = 25^\circ\text{C}$ $T_J = 125^\circ\text{C}$
Maximum Reverse Recovery Time	$T_{rr}$	65ns	$I_F=0.5A, I_R=1.0A,$ $I_{REC}=0.25A$

Notes: 1. High Temperature Solder Exemption Applied, see EU Directive Annex Notes 7.

### ITO-220AC

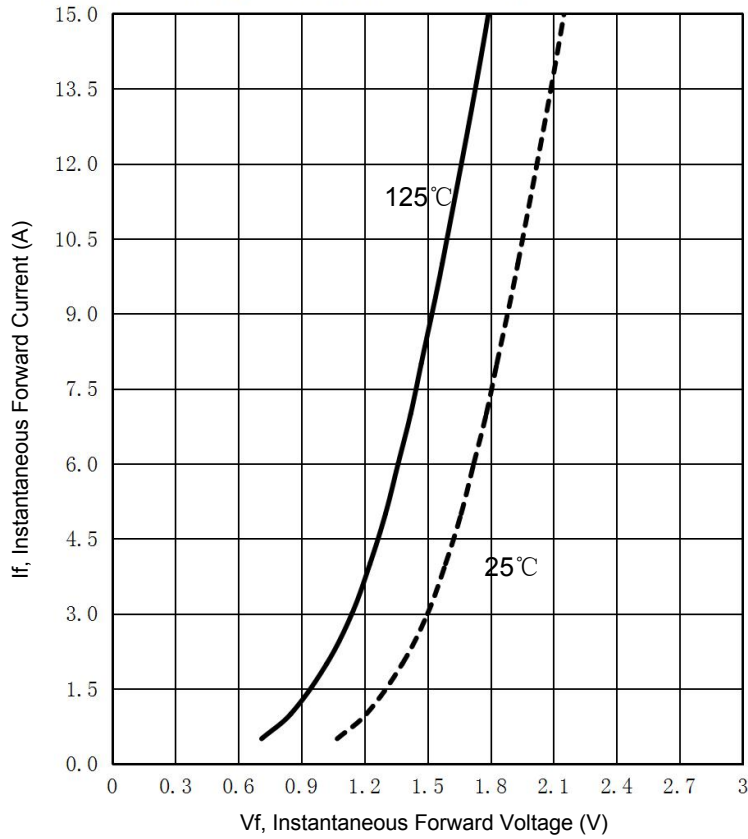


#### DIMENSIONS

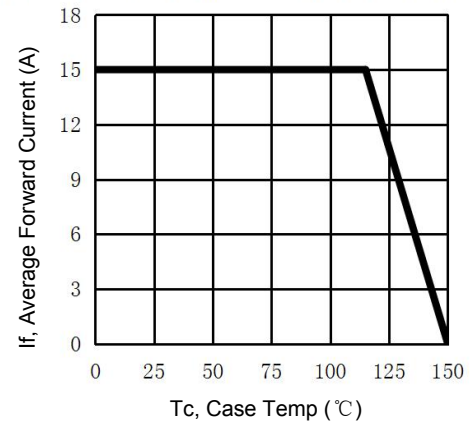
DIM	INCHES		MM	
	MIN	MAX	MIN	MAX
A	.567	.606	14.40	15.40
B	---	.406	---	10.30
C	.100	.112	2.55	2.85
D	.248	.272	6.30	6.90
E	---	.161	---	4.10
F	.500	.543	12.70	13.80
G	.200		5.10	
H	---	.035	---	0.90
I	---	.032	---	0.80
J	.102	.134	2.60	3.40
K	---	.189	---	4.80
L	---	.123	---	3.10
M	.098	.114	2.50	2.90

## Characteristic Curves

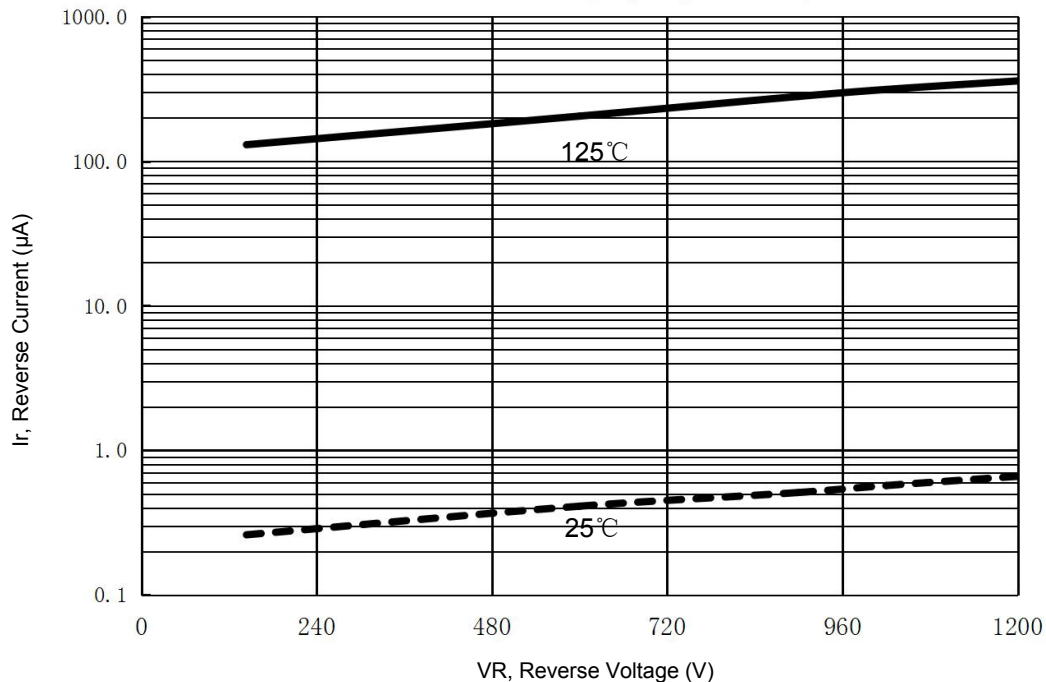
The forward voltage and forward current curve



Current derating curve, per element



The reverse leak current and the reverse voltage (single-device) curve.





Micro Commercial Components

Ordering Information :

Device	Packing
(Part Number)-BP	Bulk;1Kpcs/Box

Note : Adding "-HF" suffix for halogen free, eg. Part Number-BP-HF

\*\*\*IMPORTANT NOTICE\*\*\*

Micro Commercial Components Corp. reserves the right to make changes without further notice to any product herein to make corrections, modifications , enhancements , improvements , or other changes . Micro Commercial Components Corp . does not assume any liability arising out of the application or use of any product described herein; neither does it convey any license under its patent rights ,nor the rights of others . The user of products in such applications shall assume all risks of such use and will agree to hold Micro Commercial Components Corp . and all the companies whose products are represented on our website, harmless against all damages.

\*\*\*LIFE SUPPORT\*\*\*

MCC's products are not authorized for use as critical components in life support devices or systems without the express written approval of Micro Commercial Components Corporation.

\*\*\*CUSTOMER AWARENESS\*\*\*

Counterfeiting of semiconductor parts is a growing problem in the industry. Micro Commercial Components (MCC) is taking strong measures to protect ourselves and our customers from the proliferation of counterfeit parts. MCC strongly encourages customers to purchase MCC parts either directly from MCC or from Authorized MCC Distributors who are listed by country on our web page cited below. Products customers buy either from MCC directly or from Authorized MCC Distributors are genuine parts, have full traceability, meet MCC's quality standards for handling and storage. MCC will not provide any warranty coverage or other assistance for parts bought from Unauthorized Sources. MCC is committed to combat this global problem and encourage our customers to do their part in stopping this practice by buying direct or from authorized distributors.